
REPLACEMENT PARTS MANUAL

Wall-Mounted SASO 2874 Certified Air Conditioner

Models:

K36A2-N K48A2-N K60A2-N

General Notes

- Revised and/or additional pages may be issued from time to time.
- A complete and current manual consists of pages shown in the following contents section.

Important

- Contact the installing and/or local Bard distributor for all parts requirements. Make sure to have the complete model and serial number available from the unit rating plates.

Contents

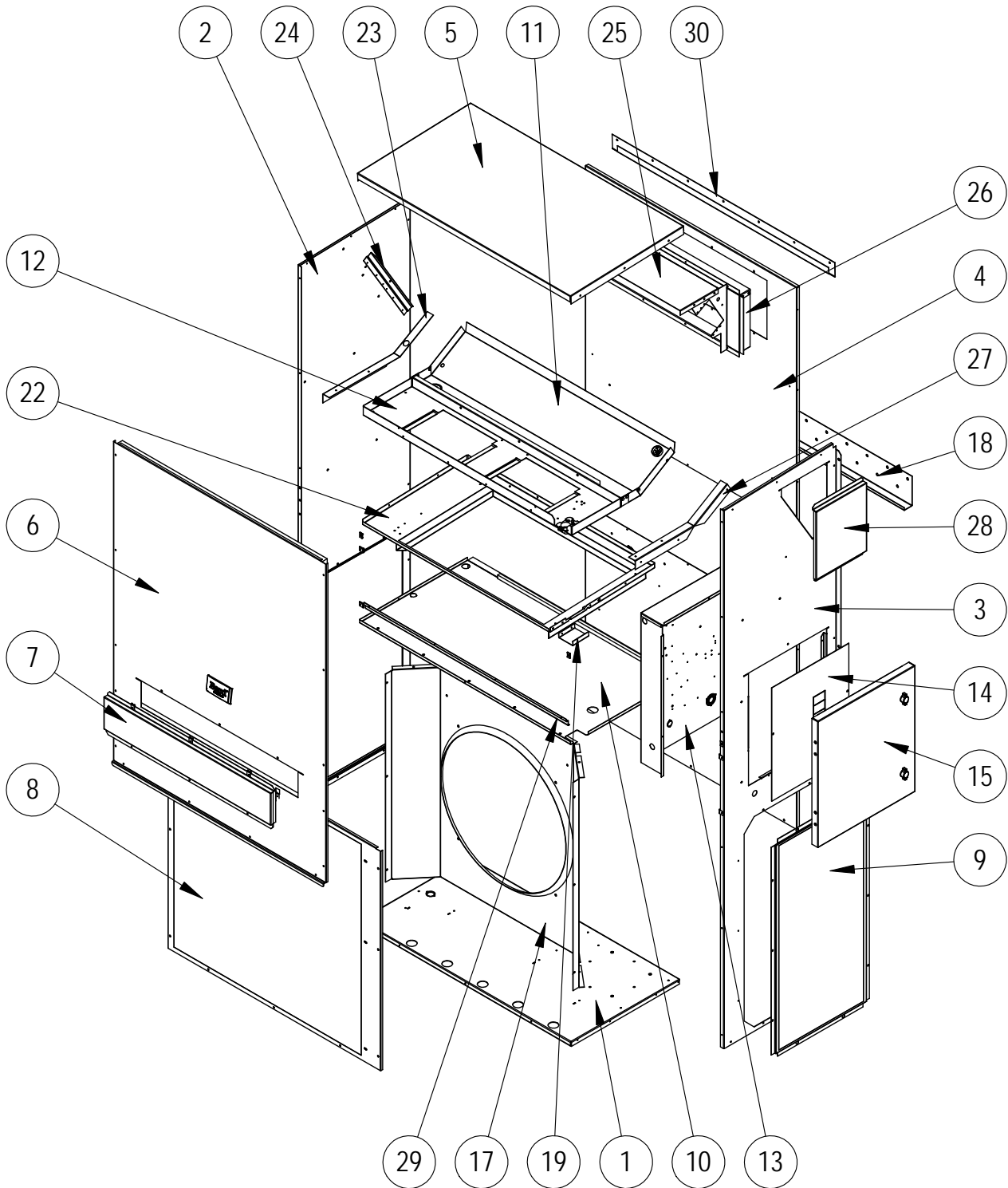
<u>Description</u>	<u>Page</u>
Cabinet Components (Extreme Duty Door)	
♦ Exploded View	2
♦ Usage List	3
Cabinet Components (Moderate Duty Door)	
♦ Exploded View	4
♦ Usage List	5
Functional Components	
♦ Exploded View	6
♦ Usage List	7
Control Panel	
♦ Exploded View	8
♦ Usage List	9
Blower Assembly	
♦ Exploded View	10
♦ Usage List	10



Bard Manufacturing Company, Inc.
Bryan, Ohio 43506
www.bardhvac.com

Manual: 2110-1421D
Supersedes: 2110-1421C
Date: 4-9-21

CABINET COMPONENTS - STANDARD EXTREME DUTY DOOR



SEXP-761

CABINET COMPONENTS – STANDARD EXTREME DUTY DOOR

Drawing No.	Part No.	Description	K36A2	K48A2	K60A2
1	127-508	Lower Base	X		
1	127-511 ②	Lower Base	X		
1	127-425	Lower Base		X	X
1	127-430 ②	Lower Base		X	X
2	S501-686-* ①	Left Side	X		
2	S501-701 ②	Left Side	X		
2	S501-733-* ①	Left Side		X	X
2	S501-916 ②	Left Side		X	X
3	S501-853-* ①	Right Side	X		
3	S501-854 ②	Right Side	X		
3	S501-909-* ①	Right Side		X	X
3	S501-915 ②	Right Side		X	X
4	S508-098	Back Assembly	X		
4	S508-221 ②	Back Assembly	X		
4	S509-251	Back Assembly		X	X
4	S509-253 ②	Back Assembly		X	X
5	S507-307-* ①	Top	X	X	X
5	S507-310 ②	Top	X	X	X
6	S553-648-* ①	Front Service Panel	X		
6	S553-652 ②	Front Service Panel	X		
6	S553-650-* ①	Front Service Panel		X	X
6	S553-653 ②	Front Service Panel		X	X
7	S543-192-* ①	Filter Access Cover	X	X	X
7	S543-197 ②	Filter Access Cover	X	X	X
8	118-048-* ①	Front Condenser Grille	X		
8	118-072 ②	Front Condenser Grille	X		
8	118-085-* ①	Front Condenser Grille		X	X
8	118-089 ②	Front Condenser Grille		X	X
9	118-057-* ①	Side Inlet Grille	X		
9	118-073 ②	Side Inlet Grille	X		
9	118-086-* ①	Side Inlet Grille		X	X
9	118-090 ②	Side Inlet Grille		X	X
10	S521X522	Condenser Partition	X	X	X
11	S123-144	Evaporator Drain Pan	X	X	X
11	S123-149 ②	Evaporator Drain Pan	X	X	X
12	121X463	Right Hand Blower Partition	X	X	X
13	S517X365	Control Panel Wrapper	X		
13	S517X367	Control Panel Wrapper		X	X
14	S132-171	Inner Control Panel Cover	X	X	X
15	DDD5A-*	Exterior Control Panel Cover	X	X	X
17	125-069	Fan Shroud	X		
17	125-078 ②	Fan Shroud	X		
17	125-070	Fan Shroud		X	X
17	125-079 ②	Fan Shroud		X	X
18	113-140	Bottom Support Mounting Bracket	X	X	X
19	S137-1006	Filter Fill Plate	X	X	X
22	131X164	Filter Tray	X	X	X
NS	131-165	Filter Tray Angle	X	X	X
23	105X877	Left Upper Support Angle	X	X	X
24	147-046	Coil Mount Offset Angle	X	X	X
25	135-129	Heat Shield	X	X	X
26	111X034	Supply Air Duct Flange	X	X	X
27	105X878	Right Upper Support Angle	X	X	X
28	S543-172-* ①	Heater Access Cover	X	X	X
28	S543-177 ②	Heater Access Cover	X	X	X
29	113X579	Front Door Securement Angle	X	X	X
30	113-150-* ①	Rain Flashing	X	X	X
30	113-359 ②	Rain Flashing	X	X	X

① Exterior cabinet parts are manufactured with various paint color options. To ensure the proper paint color is received, reference the following codes: Beige -X, White -1

② Exterior cabinet parts are manufactured from stainless steel Code "S"

NS – Not Shown

CABINET COMPONENTS – OPTIONAL MODERATE DUTY DOOR

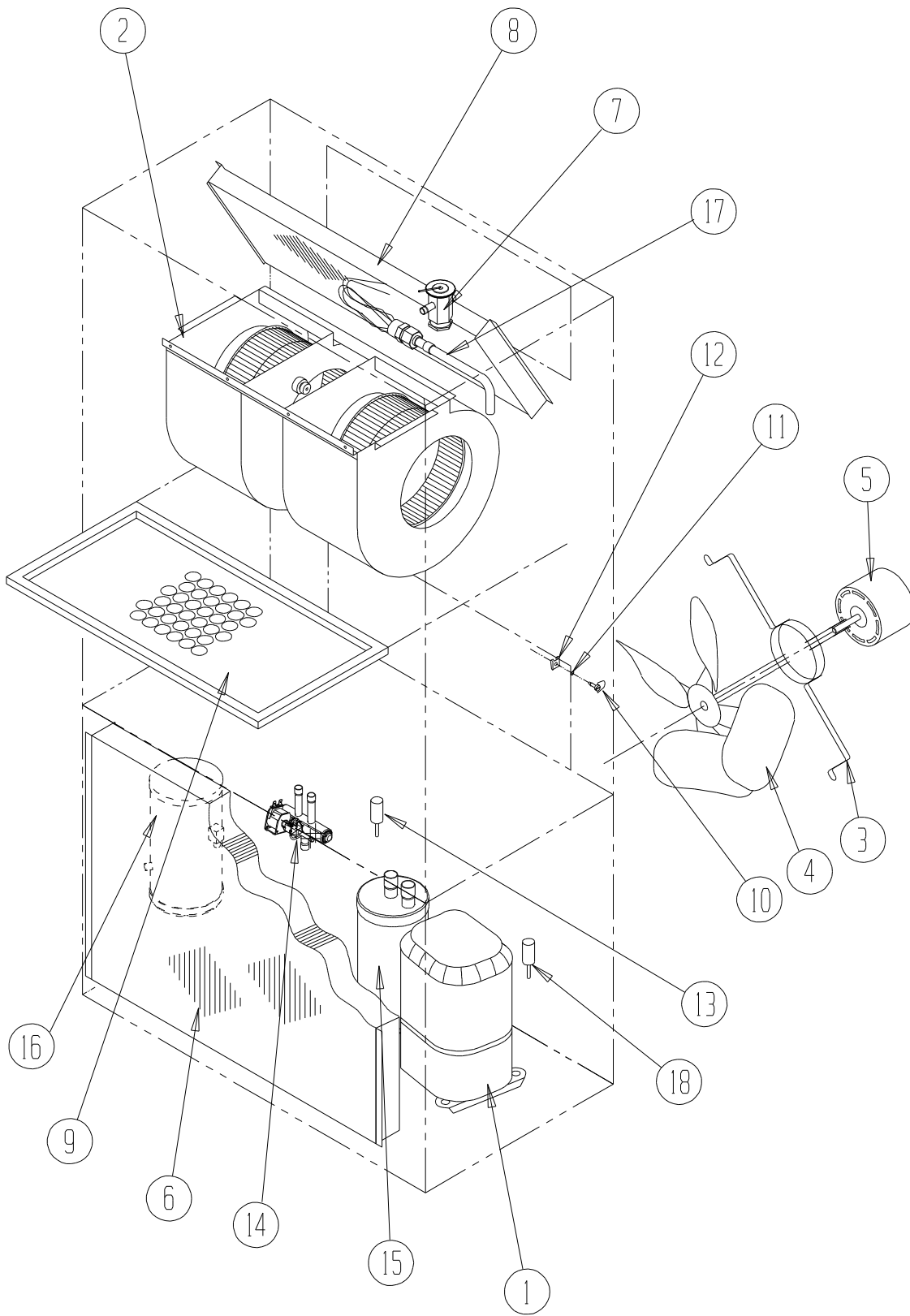
Drawing No.	Part No.	Description	K36A2	K48A2	K60A2
1	127-508	Lower Base	X		
1	127-511 ②	Lower Base	X		
1	127-425	Lower Base		X	X
1	127-430 ②	Lower Base		X	X
2	S501-686-* ①	Left Side	X		
2	S501-701 ②	Left Side	X		
2	S501-733-* ①	Left Side		X	X
2	S501-916 ②	Left Side		X	X
3	S501-677-* ①	Right Side	X		
3	S501-700 ②	Right Side	X		
3	S501-732-* ①	Right Side		X	X
3	S501-917 ②	Right Side		X	X
4	S508-098	Back Assembly	X		
4	S508-221 ②	Back Assembly	X		
4	S509-251	Back Assembly		X	X
4	S509-253 ②	Back Assembly		X	X
5	S507-307-* ①	Top	X	X	X
5	S507-310 ②	Top	X	X	X
6	S553-648-* ①	Front Service Panel	X		
6	S553-652 ②	Front Service Panel	X		
6	S553-650-* ①	Front Service Panel		X	X
6	S553-653 ②	Front Service Panel		X	X
7	S543-192-* ①	Filter Access Cover	X	X	X
7	S543-197 ②	Filter Access Cover	X	X	X
8	118-048-* ①	Front Condenser Grille	X		
8	118-072 ②	Front Condenser Grille	X		
8	118-085-* ①	Front Condenser Grille		X	X
8	118-089 ②	Front Condenser Grille		X	X
9	118-057-* ①	Side Inlet Grille	X		
9	118-073 ②	Side Inlet Grille	X		
9	118-086-* ①	Side Inlet Grille		X	X
9	118-090 ②	Side Inlet Grille		X	X
10	S521X522	Condenser Partition	X	X	X
11	S123-144	Evaporator Drain Pan	X	X	X
11	S123-149 ②	Evaporator Drain Pan	X	X	X
12	121X463	Right Hand Blower Partition	X	X	X
13	S517X365	Control Panel Wrapper	X		
13	S517X367	Control Panel Wrapper		X	X
14	S132-171	Inner Control Panel Cover	X	X	X
15	S553-225-* ①	Exterior Control Panel Cover	X	X	X
15	S533-230 ②	Exterior Control Panel Cover	X	X	X
17	125-069	Fan Shroud	X		
17	125-078 ②	Fan Shroud	X		
17	125-070	Fan Shroud		X	X
17	125-079 ②	Fan Shroud		X	X
18	113-140	Bottom Support Mounting Bracket	X	X	X
19	137-209	Filter Fill Plate	X	X	X
22	131X164	Filter Tray	X	X	X
NS	131-165	Filter Tray Angle	X	X	X
23	105X877	Left Upper Support Angle	X	X	X
24	147-046	Coil Mount Offset Angle	X	X	X
25	135-129	Heat Shield	X	X	X
26	111X034	Supply Air Duct Flange	X	X	X
27	105X878	Right Upper Support Angle	X	X	X
28	S543-172-* ①	Heater Access Cover	X	X	X
28	S543-177 ②	Heater Access Cover	X	X	X
29	113X579	Front Door Securement Angle	X	X	X
30	113-150-* ①	Rain Flashing	X	X	X
30	113-359 ②	Rain Flashing	X	X	X

① Exterior cabinet parts are manufactured with various paint color options. To ensure the proper paint color is received, reference the following codes: Beige -X, White -1

② Exterior cabinet parts are manufactured from stainless steel Code "S"

NS – Not Shown

FUNCTIONAL COMPONENTS



SEXP-589

FUNCTIONAL COMPONENTS

Drawing No.	Part No.	Description	K36A2-N	K48A2-N	K60A2-N
1	8000-409	Compressor H82J283DBSA	X		
1	8000-410	Compressor ZP39K5E-TF7-130		X	
1	8000-411	Compressor ZP49K5E-TF7-130			X
2	S900-345	Blower Assembly	X		
2	S900-346	Blower Assembly		X	
2	S900-347	Blower Assembly			X
3	8200-004	Fan Motor Mount	X	X	X
4	5151-027	Fan Blade	X	X	X
5	8105-067	Outdoor Fan Motor	X	X	
5	8106-063-0134	Outdoor Fan Motor			X
6	5051-180BX	Outdoor Condenser Coil	X		
6	5054-180BX (Coated)	Outdoor Condenser Coil	X		
6	5051-195BX	Outdoor Condenser Coil		X	X
6	5054-195BX (Coated)	Outdoor Condenser Coil		X	X
8	5060-164BX	Indoor Evaporator Coil	X		
8	5062-164BX (Coated)	Indoor Evaporator Coil	X		
8	917-0190BX	Indoor Evaporator Coil		X	X
8	917-0191BX	Indoor Evaporator Coil		X	X
9	7004-027	Air Filter 20" x 30" x 2" (MERV 8)	X	X	X
9	7004-051	Air Filter 20" x 30" x 2" (MERV 11)	X	X	X
9	7004-053	Air Filter 20" x 30" x 2" (MERV 13)	X	X	X
10	1171-022	1/4 Turn Fastener	X	X	X
11	1171-024	1/4 Turn Retainer	X	X	X
12	1171-023	1/4 Turn Receptacle	X	X	X
13	1804-0386	Low Pressure Switch Kit (40 PSIG)	X	X	X
17	5625-088	Cooling Distributor w/Orifice	X		
17	5625-135	Cooling Distributor w/Orifice		X	
17	5625-114	Cooling Distributor w/Orifice			X
18	1804-0462	High Pressure Switch Kit (650 PSIG)	X	X	X
NS	5201-022	Refrigerant Filter Drier	X	X	X
NS	6031-009	Coremax Valve Core	X	X	X

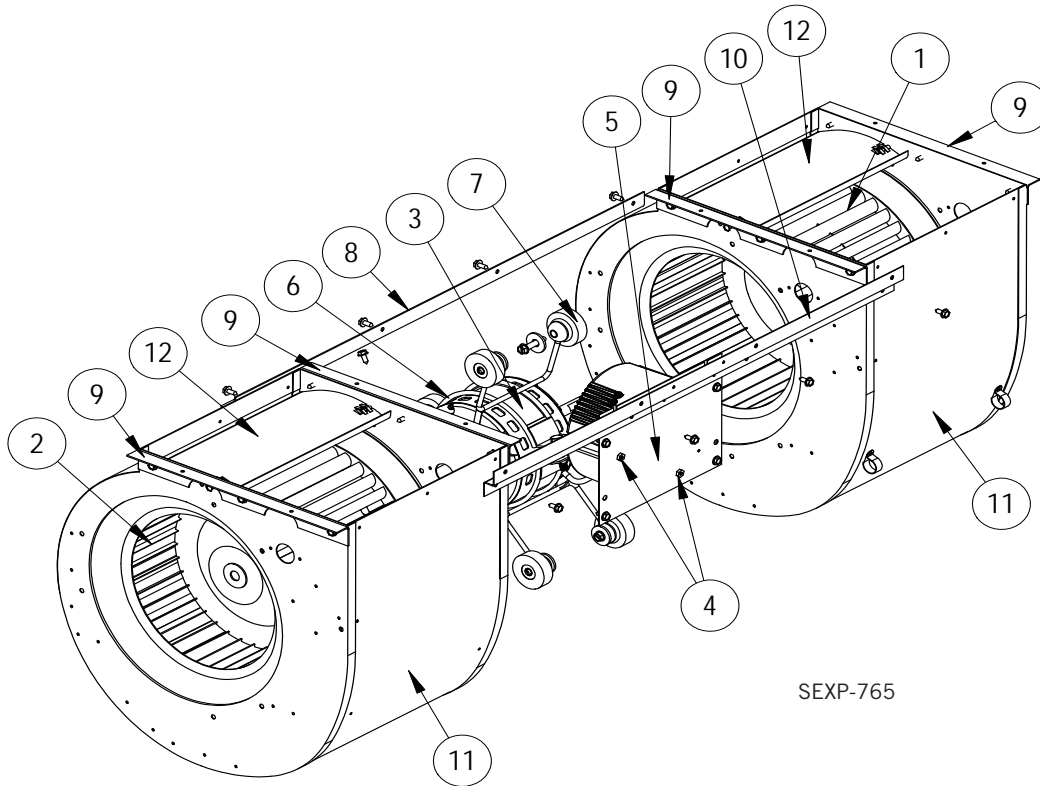
NS – Not Shown

CONTROL PANEL

Drawing No.	Part No.	Description	K36A2-N	K48A2-N	K60A2-N
1	8607-034	Low Voltage Terminal Strip	X	X	X
2	8407-063	Transformer 400/24VAC, 50VA	X	X	X
4	8607-014	Terminal Block 3 Terminal	X	X	X
5	8401-002	Compressor Contactor	X	X	X
7	135-130	Wire Shield	X	X	X
8	8611-006	Grounding Lug	X	X	X
9	3000-1484	Heater Connection Plug	X		X
9	3000-1231	Heater Connection Plug		X	
10	8201-157	Compressor Control Module	X	X	X
11	8201-126	Phase Monitor	X	X	X
14	8201-032	Blower Relay		X	
16	S517X365	Control Panel Box	X		
16	S517X367	Control Panel Box		X	X
19	8201-130	Alarm Relay	X	X	X
20	8552-026	Fan Motor Capacitor 15/370, 1-3/4" R	X	X	
21	8550-006	Capacitor Bracket 1-3/4" Round	X	X	
22	8607-017	Low Ambient Terminal Block	X	X	X
23	117X333	Low Voltage Box Assembly	X		
23	117X368	Low Voltage Box Assembly		X	X
24	117X334	Low Voltage Partition	X	X	X
25	3000-1483	Blower Speed Plug Wire Harness	X		X
26	3000-1482	Blower Power Plug Wire Harness	X		X
27	8408-048	Freeze Stat	X	X	X
NS	3000-1231	Compressor Power Plug Wire Harness	X	X	X
NS	4095-900	Wiring Diagram	X		
NS	4095-901	Wiring Diagram		X	
NS	4095-902	Wiring Diagram			X

NS – Not Shown

BLOWER ASSEMBLY



SEXP-765

Drawing No.	Part No.	Description	K36A2-N	K48A2-N	K60A2-N
NS	S900-345	Complete Blower Assembly	X		
NS	S900-346	Complete Blower Assembly		X	
NS	S900-347	Complete Blower Assembly			X
1	5152-057	Blower Wheel CW Rotation	X	X	
1	5152-011	Blower Wheel CW Rotation			X
2	5152-058	Blower Wheel CCW Rotation	X	X	
2	5152-012	Blower Wheel CCW Rotation			X
3	8106-057	Blower Motor, 460 Volts	X		
3	8106-062	Blower Motor, 400 Volt		X	
3	S8107-029-0175	Blower Motor, (460V)			X
3	C8107-029-0175	Programmed Control Only (460V)			0
4	1012-215	#8-32 Steel Hex Nuts w/Star Washer	3		3
5	112-775	Motor Control Mounting Bracket	X		X
NS	8552-005	Capacitor, 10/370, 1-1/4" Oval		X	
NS	8550-003	Capacitor Bracket, 1-1/4" Oval		X	
6	8200-040	Motor Mount	X	X	X
7	5451-011	Motor Mount Grommets	6	6	6
8	105-881	Back Brace	X	X	X
9	105-880	Blower Side Angles	4	4	4
10	103-389	Hold-In Offset	X	X	X
11	151-101	Blower Housing	2	2	2
12	144-166	Diffuser	2	2	2