
REPLACEMENT PARTS MANUAL

WALL MOUNTED PACKAGE AIR CONDITIONER

Models:

J42AA-A J42LA-A J48AA-A J48LA-A J60AA-A J60LA-A J70AA-A J72LA-A
J42AA-B J42LA-B J48AA-B J48LA-B J60AA-B J60LA-B J70AA-B J72LA-B
J42AA-C J42LA-C J48AA-C J48LA-C J60AA-C J60LA-C J70AA-C J72LA-C

Contents

<u>Description</u>	<u>Page</u>	<u>Description</u>	<u>Page</u>
Cabinet Components – Right Hand Models		Blower Assembly	
♦ Exploded View	2	♦ Exploded View	14
♦ Usage List	3	♦ Usage List	14
Cabinet Components – Left Hand Models			
♦ Exploded View	4		
♦ Usage List	5		
Functional Components – Right Hand Models			
♦ Exploded View	6		
♦ Usage List	7		
Functional Components – Left Hand Models			
♦ Exploded View	8		
♦ Usage List	9		
Control Panel – Right Hand Models			
♦ Exploded View	10		
♦ Usage List	11		
Control Panel – Left Hand Models			
♦ Exploded View	12		
♦ Usage List	13		

General Notes

- Revised and/or additional pages may be issued from time to time.
- A complete and current manual consists of pages shown in the following contents section.

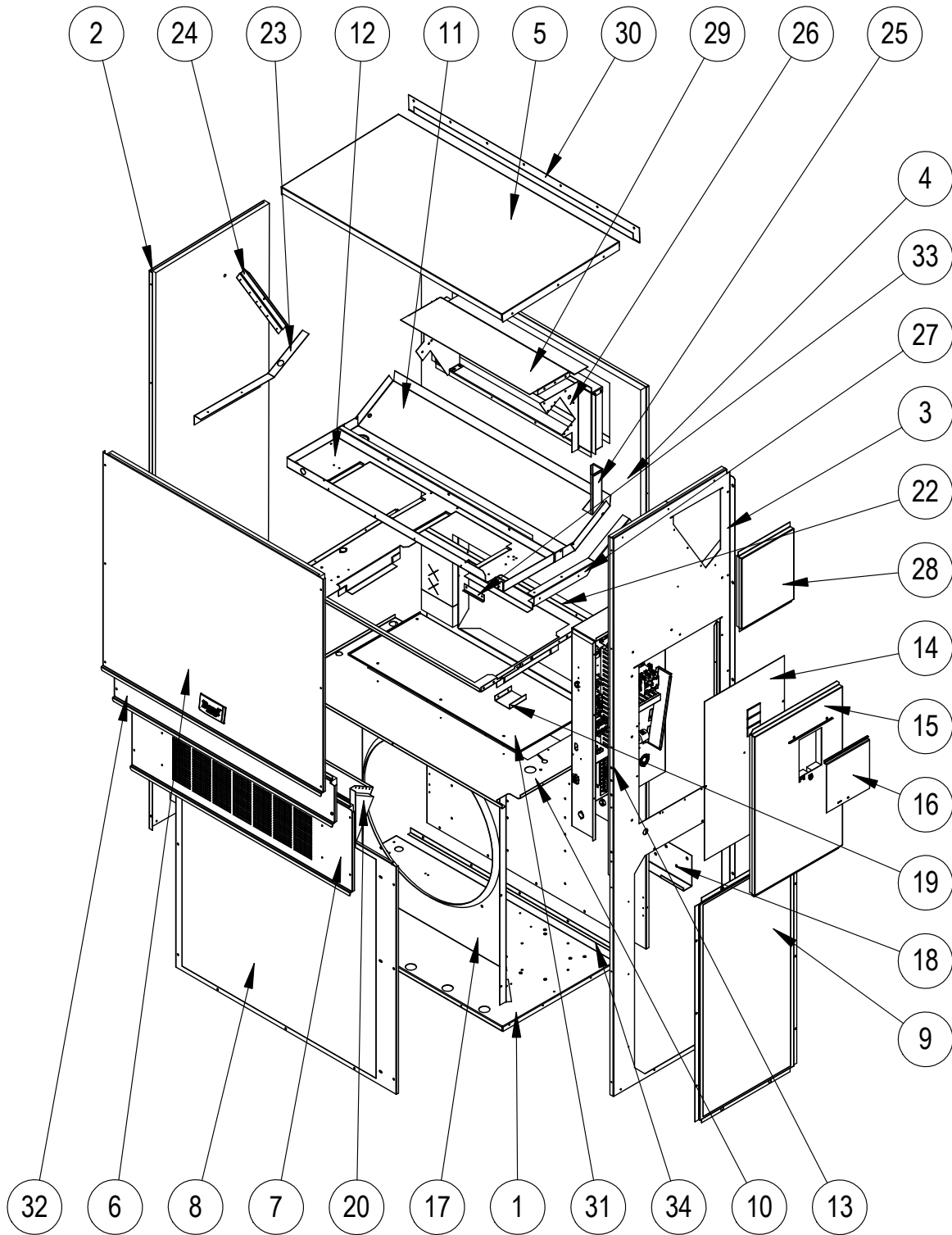
Important

- Contact the installing and/or local Bard distributor for all parts requirements. Make sure to have the complete model and serial number available from the unit rating plates.



Manual: 2110-1431A
Supersedes: 2110-1431
Date: 2-5-16

CABINET COMPONENTS - RIGHT HAND MODELS

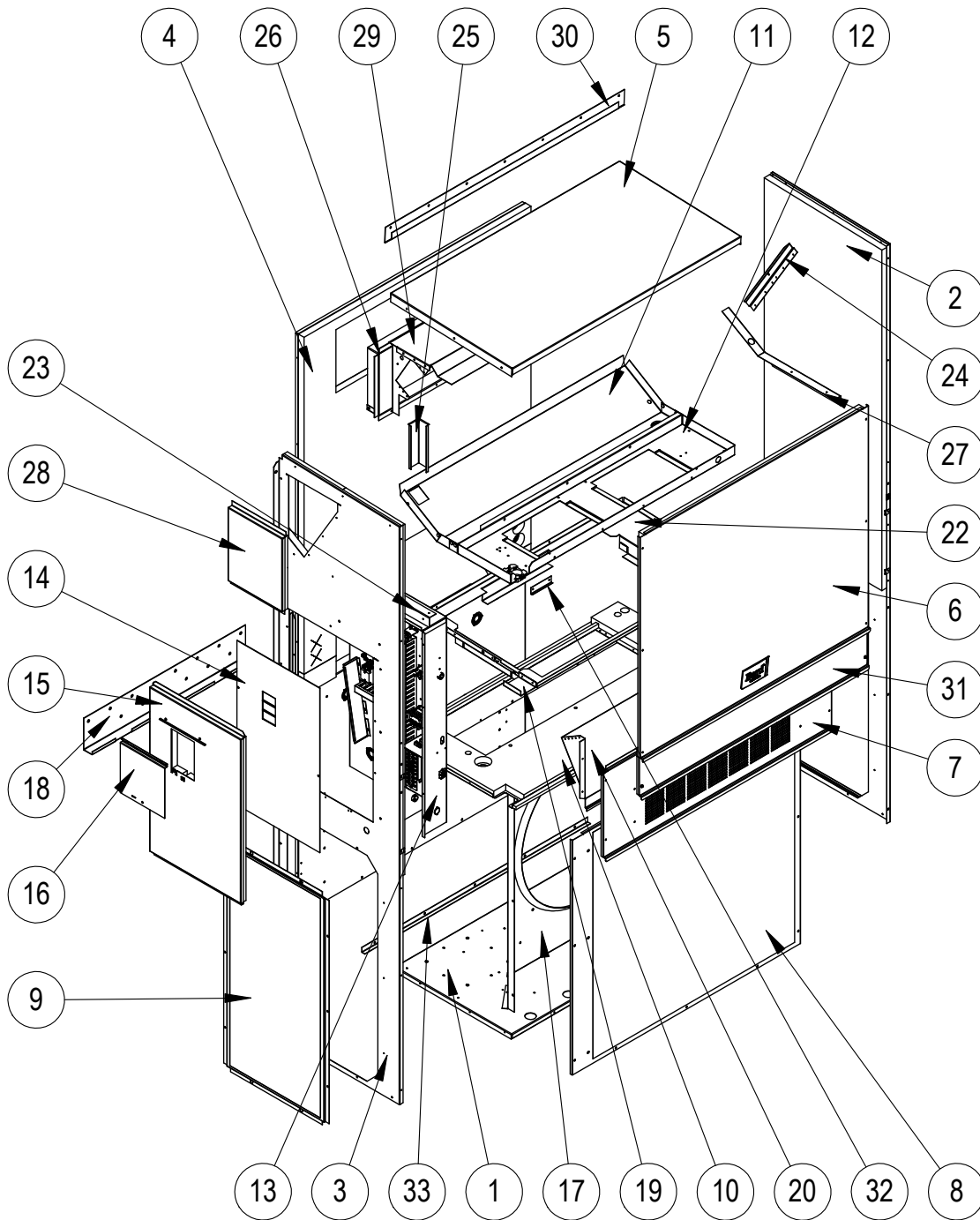


SEXP-792

CABINET COMPONENTS – RIGHT HAND MODELS

Dwg No.	Part Number	Description	J42AA-A, B	J42AA-C	J48AA-A, B	J48AA-C	J60AA-A, B	J60AA-C	J72AA-A, B	J72AA-C
1	S127-425	Lower Base	X	X	X	X	X	X	X	X
2	S501-686-X	Left Side	X	X	X	X	X	X	X	X
3	S501-840-X	Right Side	X	X	X	X	X	X	X	X
4	S508-098	Back	X	X	X	X	X	X	X	X
5	S507-307-X	Top	X	X	X	X	X	X	X	X
6	S515-230-X	Upper Front	X	X	X	X	X	X	X	X
7	S553-522-X	Vent Option Door	X	X	X	X	X	X	X	X
7	S553-529-X	Vent Option Door/ERV	X	X	X	X	X	X	X	X
8	118-048-X	Condenser Grille	X	X	X	X	X	X	X	X
9	118-057-X	Side Grille	2	2	2	2	2	2	2	2
10	S521X503	Condenser Partition	X	X	X	X	X	X	X	X
11	S123-122	Drain Pan	X	X	X	X	X	X	X	X
12	121X463	Blower Partition	X	X	X	X	X	X	X	X
13	Control Panel Assy.	See Control Panel Assy. Drawing and Parts List	X	X	X	X	X	X	X	X
14	S132-277	Control Panel Cover (Inner)	X		X		X		X	
14	S132-278	Control Panel Cover (Inner)		X		X		X		X
15	S533-279-X	Control Panel Cover (Outer)	X	X	X	X	X	X	X	X
16	S153-218-X	Disconnect Access Door	X	X	X	X	X	X	X	X
17	125-070	Fan Shroud	X	X	X	X	X			
17	125-084	Fan Shroud							X	X
18	113-140	Bottom Mounting Bracket	X	X	X	X	X	X	X	X
19	137-209	Fill	X	X	X	X	X	X	X	X
20	BFAD-5	Fresh Air Damper Assembly	X	X	X	X	X	X	X	X
22	131X099	Filter Tray	X	X	X	X	X	X	X	X
23	105X877	Left Side Support	X	X	X	X	X	X	X	X
24	147-046	Left Evaporator Support	X	X	X	X	X	X	X	X
25	135-377	Raceway	2	2	2	2	2	2	2	2
26	S111X034	Outlet Air Frame Assembly	X	X	X	X	X	X	X	X
27	105X878	Right Side Support	X	X	X	X	X	X	X	X
28	S543-172-X	Right Side Cover Plate (Outer)	X	X	X	X	X	X	X	X
29	135-129	Heat Shield	X	X	X	X	X	X	X	X
30	113-150-X	Top Rain Flashing	X	X	X	X	X	X	X	X
31	S536-804	Cond. Partition Block Off Plate	X	X	X	X	X	X	X	X
32	S553-521-X	Filter Door Assembly	X	X	X	X	X	X	X	X
33	105-1302	Grommet Retainer	X	X	X	X	X	X	X	X
34	105-1324	Close Off Angle	X	X	X	X	X	X	X	X

CABINET COMPONENTS - LEFT HAND MODELS



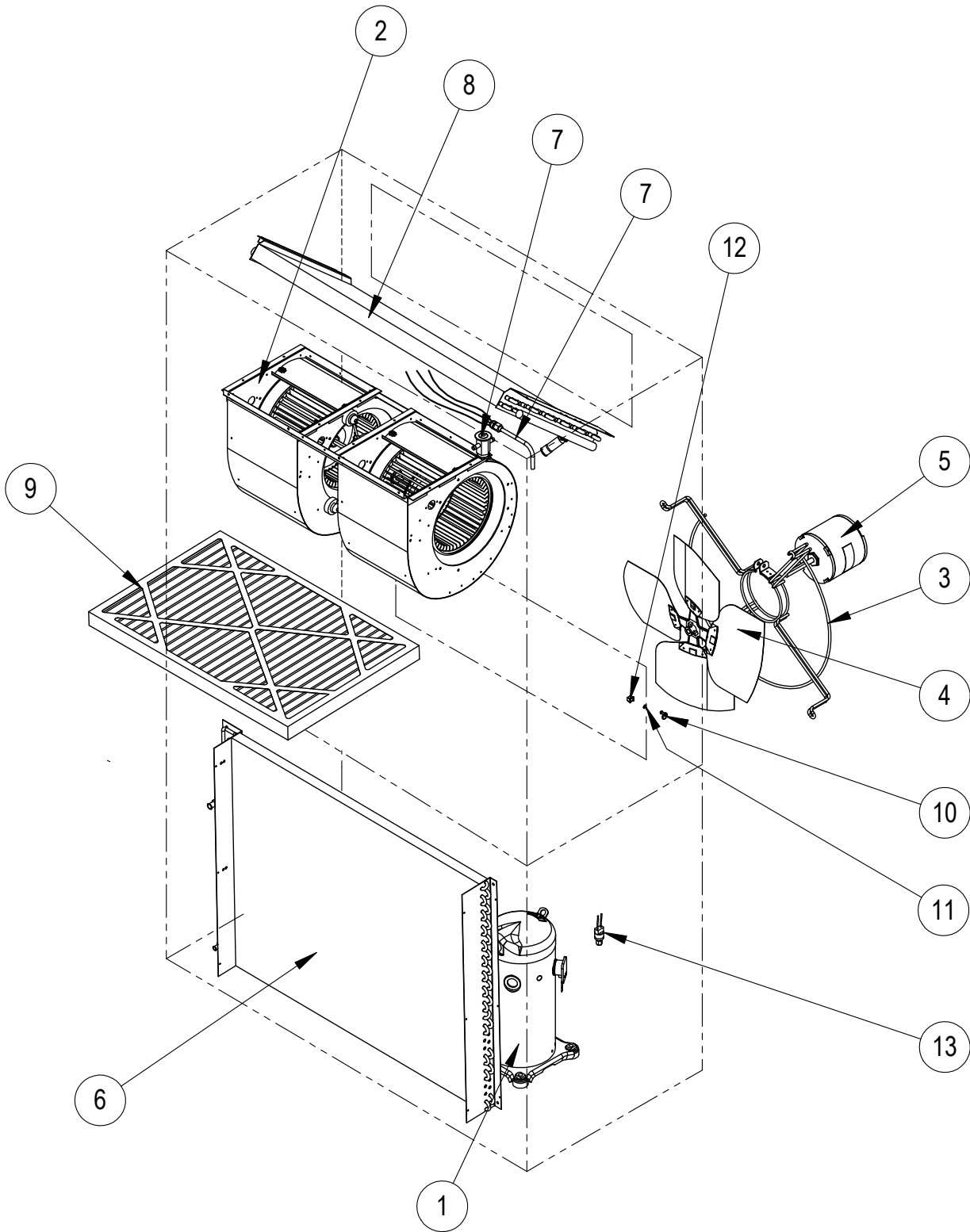
SEXP-788

CABINET COMPONENTS - LEFT HAND MODELS

Dwg No.	Part Number	Description	J42LA-A, B	J42LA-C	J48LA-A, B	J48LA-C	J60LA-A, B	J60LA-C	J72LA-A, B	J72LA-C
1	S127-428	Lower Base	X	X	X	X	X	X	X	X
2	S501-842-X	Left Side	X	X	X	X	X	X	X	X
3	S501-687-X	Right Side	X	X	X	X	X	X	X	X
4	S508-098	Back	X	X	X	X	X	X	X	X
5	S507-307-X	Top	X	X	X	X	X	X	X	X
6	S515-230-X	Upper Front	X	X	X	X	X	X	X	X
7	S553-522-X	Vent Option Door	X	X	X	X	X	X	X	X
7	S553-529-X	Vent Option Door/ERV	X	X	X	X	X	X	X	X
8	118-049-X	Condenser Grille	X	X	X	X	X	X	X	X
9	118-057-X	Side Grille	2	2	2	2	2	2	2	2
10	S521Y503	Condenser Partition	X	X	X	X	X	X	X	X
11	S123-121	Drain Pan	X	X	X	X	X	X	X	X
12	121Y463	Blower Partition	X	X	X	X	X	X	X	X
13	Control Panel Assy.	See Control Panel Assy. Drawing and Parts List	X	X	X	X	X	X	X	X
14	S132-277	Control Panel Cover (Inner)	X		X		X		X	
14	S132-278	Control Panel Cover (Inner)		X		X		X		X
15	S533-280-X	Control Panel Cover (Outer)	X	X	X	X	X	X	X	X
16	S153-218-X	Disconnect Access Door	X	X	X	X	X	X	X	X
17	125-070	Fan Shroud	X	X	X	X	X			
17	125-084	Fan Shroud							X	X
18	113-140	Bottom Mounting Bracket	X	X	X	X	X	X	X	X
19	137-209	Fill	X	X	X	X	X	X	X	X
20	BFAD-5	Fresh Air Damper Assembly	X	X	X	X	X	X	X	X
22	131Y099	Filter Tray	X	X	X	X	X	X	X	X
23	105Y878	Left Side Support	X	X	X	X	X	X	X	X
24	147-046	Left Evaporator Support	X	X	X	X	X	X	X	X
25	135-377	Raceway	2	2	2	2	2	2	2	2
26	S111Y034	Outlet Air Frame Assembly	X	X	X	X	X	X	X	X
27	105Y877	Right Side Support	X	X	X	X	X	X	X	X
28	S543-172-X	Right Side Cover Plate (Outer)	X	X	X	X	X	X	X	X
29	135-129	Heat Shield	X	X	X	X	X	X	X	X
30	113-150-X	Top Rain Flashing	X	X	X	X	X	X	X	X
31	S553-521-X	Filter Door Assembly	X	X	X	X	X	X	X	X
32	105-1302	Grommet Retainer	X	X	X	X	X	X	X	X
33	105-1324	Close Off Angle	X	X	X	X	X	X	X	X
NS	S536-804	Cond. Partition Block Off Plate	X	X	X	X	X	X	X	X

NS – Not Shown

FUNCTIONAL COMPONENTS - RIGHT HAND MODELS



SEXP-841

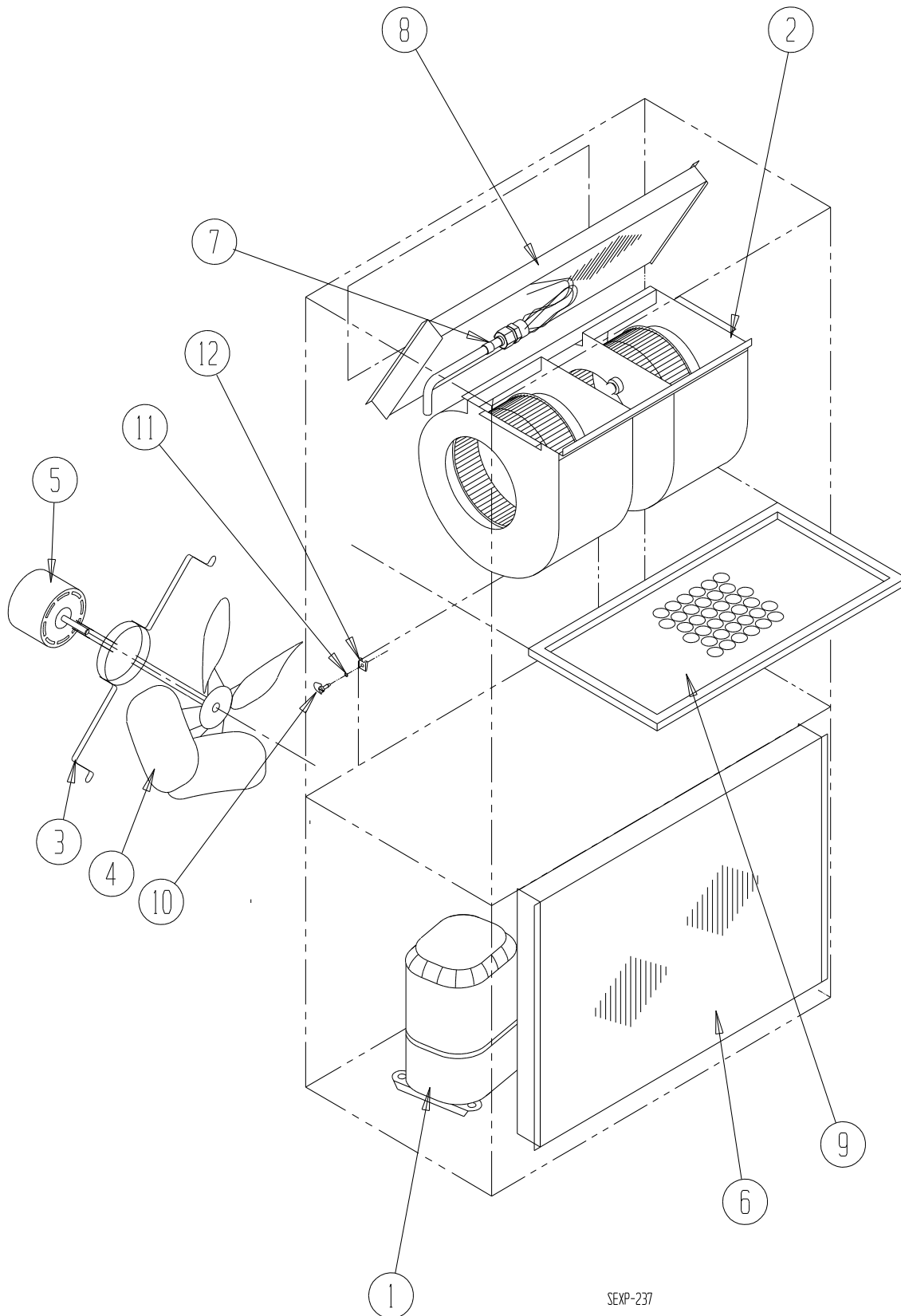
FUNCTIONAL COMPONENTS - RIGHT HAND MODELS

Dwg No.	Part Number	Description	J42AA-A	J42AA-B	J42AA-C	J48AA-A	J48AA-B	J48AA-C	J60AA-A	J60AA-B	J60AA-C	J72AA-A	J72AA-B	J72AA-C
1	8000-349	Compressor	X											
1	8000-350	Compressor		X										
1	8000-351	Compressor			X									
1	8000-343	Compressor				X								
1	8000-344	Compressor					X							
1	8000-345	Compressor						X						
1	8000-415	Compressor							X					
1	8000-416	Compressor								X				
1	8000-417	Compressor									X			
1	8000-403	Compressor										X		
1	8000-404	Compressor											X	
1	8000-405	Compressor												X
2	S900-320	Blower Assembly	X	X		X	X							
2	S900-321	Blower Assembly			X			X						
2	S900-185	Blower Assembly							X	X				
2	S900-186	Blower Assembly									X			
2	S900-348-001	Blower Assembly										X	X	
2	S900-349-001	Blower Assembly												X
3	8200-004	Fan Motor Mount	X	X	X	X	X	X	X	X	X			
3	8200-049	Fan Motor Mount										X	X	X
4	5151-060	Fan Blade	X	X	X	X	X	X	X	X	X	X	X	X
5	8105-030	Condenser Motor			X			X			X			
5	8105-066	Condenser Motor	X	X		X	X		X	X				
5	8107-010	Condenser Motor												X
5	8106-016	Condenser Motor										X	X	
6	5051-200BX	Condenser Coil	X	X	X									
6	5054-200BX	Condenser Coil - Coated	X	X	X									
6	5051-199BX	Condenser Coil				X	X	X						
6	5054-199BX	Condenser Coil - Coated				X	X	X						
6	5051-198BX	Condenser Coil							X	X	X			
6	5054-198BX	Condenser Coil - Coated							X	X	X			
6	5051-197BX	Condenser Coil										X	X	X
6	5054-197BX	Condenser Coil - Coated										X	X	X
7	800-0452	Distributor Assembly	X	X	X									
7	800-0451	Distributor Assembly				X	X	X						
7	800-0453	Distributor Assembly							X	X	X			
7	800-0454	Distributor Assembly										X	X	X
8	917-0255BX	Evaporator Coil	X	X	X									
8	917-0265BX	Evaporator Coil - Coated	X	X	X									
8	917-0256BX	Evaporator Coil				X	X	X						
8	917-0266BX	Evaporator Coil - Coated				X	X	X						
8	917-0257BX	Evaporator Coil							X	X	X			
8	917-0268BX	Evaporator Coil - Coated							X	X	X			
8	917-0258BX	Evaporator Coil										X	X	X
8	917-0269BX	Evaporator Coil - Coated										X	X	X
9	7004-016	Air Filter 1" Throw-Away	X	X	X	X	X	X	X	X	X	X	X	X
9	7003-030	Air Filter 1" Washable	X	X	X	X	X	X	X	X	X	X	X	X
9	7004-027	Air Filter 2" Pleated	X	X	X	X	X	X	X	X	X	X	X	X
10	1171-022	1/4 Turn Fastener	X	X	X	X	X	X	X	X	X	X	X	X
11	1171-024	1/4 Turn Retainer	X	X	X	X	X	X	X	X	X	X	X	X
12	1171-023	1/4 Receptacle	X	X	X	X	X	X	X	X	X	X	X	X
13	8406-142	High Pressure Switch	X	X	X	X	X	X	X	X	X	X	X	X
13	8406-140	Low Pressure Switch	X	X	X	X	X	X	X	X	X	X	X	X
NS	5201-022	Filter Drier	X	X	X	X	X	X	X	X	X	X	X	X
NS	CMA-28	Low Ambient Control (Flare) ①	X	X	X	X	X	X	X	X	X	X	X	X
NS	5451-024	Tubing Isolation Grommet	2	2	2	2	2	2	2	2	2	2	2	2
NS	6031-009	Coremax Valve Core	2	2	2	2	2	2	2	2	2	2	2	2
NS	1171-028	Filter Door Clip	2	2	2	2	2	2	2	2	2	2	2	2
NS	1171-057	Filter Door Screw	2	2	2	2	2	2	2	2	2	2	2	2
NS	1171-027	Filter Door Screw Retainer	2	2	2	2	2	2	2	2	2	2	2	2
NS	8620-113	Compressor Crankcase Heater							X	X	X			
NS	CMC-29	Freeze Thermostat Kit										X	X	X

① - Optional on these models

NS - Not Shown

FUNCTIONAL COMPONENTS - LEFT HAND MODELS



SEXP-237

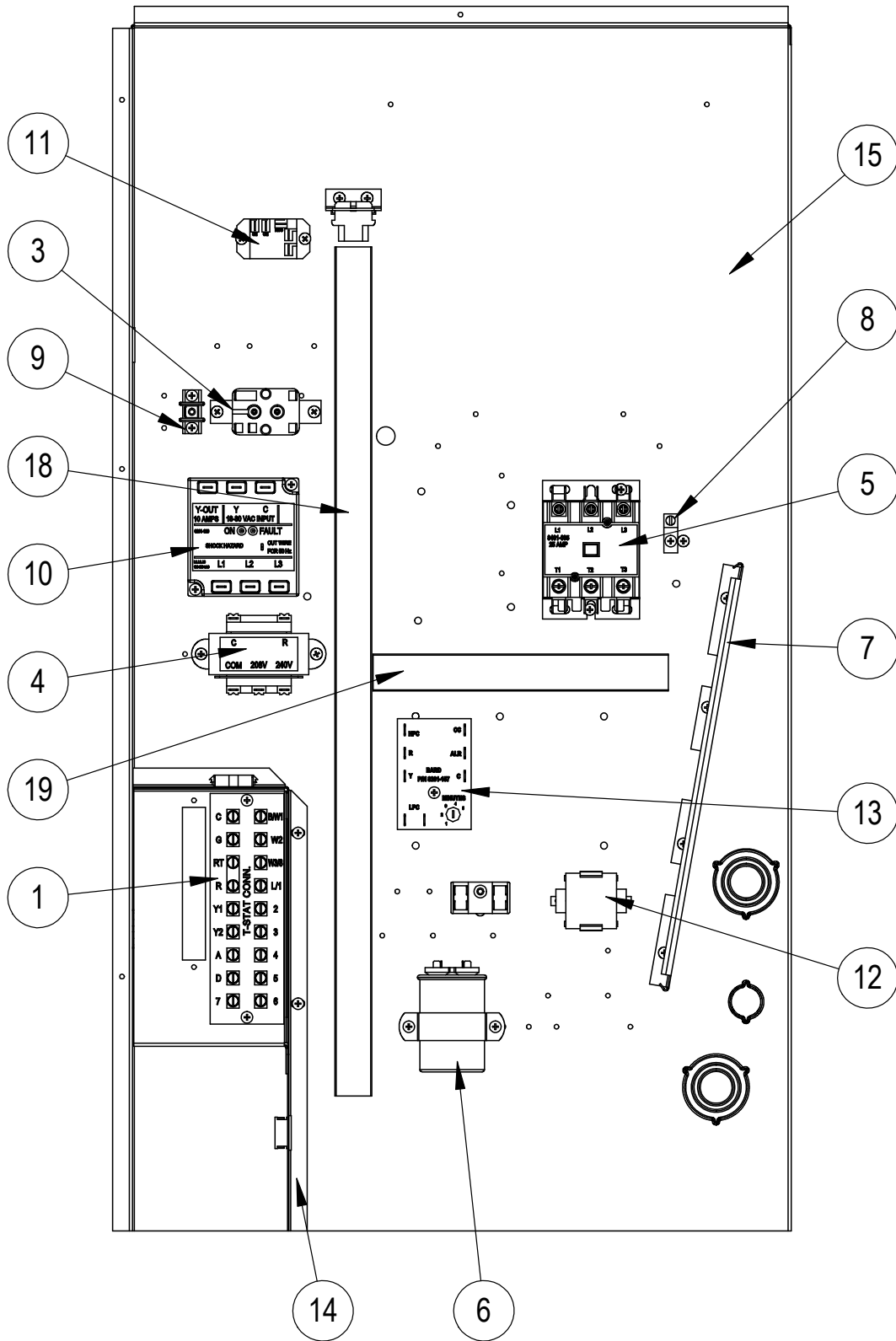
FUNCTIONAL COMPONENTS - LEFT HAND MODELS

Dwg No.	Part Number	Description	J42LA-A	J42LA-B	J42LA-C	J48LA-A	J48LA-B	J48LA-C	J60LA-A	J60LA-B	J60LA-C	J72LA-A	J72LA-B	J72LA-C
1	8000-349	Compressor	X											
1	8000-350	Compressor		X										
1	8000-351	Compressor			X									
1	8000-343	Compressor				X								
1	8000-344	Compressor					X							
1	8000-345	Compressor						X						
1	8000-415	Compressor							X					
1	8000-416	Compressor								X				
1	8000-417	Compressor									X			
1	8000-403	Compressor										X		
1	8000-404	Compressor											X	
1	8000-405	Compressor												X
2	S900-320	Blower Assembly	X	X		X	X							
2	S900-321	Blower Assembly			X			X						
2	S900-185	Blower Assembly						X	X					
2	S900-186	Blower Assembly								X				
2	S900-348-001	Blower Assembly										X	X	
2	S900-349-001	Blower Assembly												X
3	8200-004	Fan Motor Mount	X	X	X	X	X	X	X	X	X			
3	8200-049	Fan Motor Mount										X	X	X
4	5151-060	Fan Blade	X	X	X	X	X	X	X	X	X	X	X	X
5	8105-030	Condenser Motor			X			X			X			
5	8105-066	Condenser Motor	X	X		X	X		X	X				
5	8107-010	Condenser Motor												X
5	8106-016	Condenser Motor										X	X	
6	5051-200BX	Condenser Coil	X	X	X									
6	5054-200BX	Condenser Coil - Coated	X	X	X									
6	5051-198BX	Condenser Coil							X	X	X			
6	5054-198BX	Condenser Coil - Coated							X	X	X			
6	5051-199BX	Condenser Coil				X	X	X						
6	5054-199BX	Condenser Coil - Coated				X	X	X						
6	5051-197BX	Condenser Coil										X	X	X
6	5054-197BX	Condenser Coil - Coated										X	X	X
7	800-0452	Distributor Assembly	X	X	X									
7	800-0451	Distributor Assembly				X	X	X						
7	800-0453	Distributor Assembly							X	X	X			
7	800-0454	Distributor Assembly										X	X	X
8	917-0256BX	Evaporator Coil				X	X	X						
8	917-0266BX	Evaporator Coil - Coated				X	X	X						
8	917-0257BX	Evaporator Coil							X	X	X			
8	917-0268BX	Evaporator Coil - Coated							X	X	X			
8	917-0255BX	Evaporator Coil	X	X	X									
8	917-0265BX	Evaporator Coil - Coated	X	X	X									
8	917-0258BX	Evaporator Coil										X	X	X
8	917-0269BX	Evaporator Coil - Coated										X	X	X
9	7004-016	Air Filter 1" Throw-Away	X	X	X	X	X	X	X	X	X	X	X	X
9	7003-030	Air Filter 1" Washable	X	X	X	X	X	X	X	X	X	X	X	X
9	7004-027	Air Filter 2" Pleated	X	X	X	X	X	X	X	X	X	X	X	X
10	1171-022	1/4 Turn Fastener	X	X	X	X	X	X	X	X	X	X	X	X
11	1171-024	1/4 Turn Retainer	X	X	X	X	X	X	X	X	X	X	X	X
12	1171-023	1/4 Receptacle	X	X	X	X	X	X	X	X	X	X	X	X
NS	5201-022	Filter Drier	X	X	X	X	X	X	X	X	X	X	X	X
NS	CMA-28	Low Ambient Control (Flare) ①	X	X	X	X	X	X	X	X	X	X	X	X
NS	8406-142	High Pressure Switch	X	X	X	X	X	X	X	X	X	X	X	X
NS	8406-140	Low Pressure Switch	X	X	X	X	X	X	X	X	X	X	X	X
NS	5451-024	Tubing Isolation Grommet	2	2	2	2	2	2	2	2	2	2	2	2
NS	6031-009	Coremax Valve Core	2	2	2	2	2	2	2	2	2	2	2	2
NS	1171-028	Filter Door Clip	2	2	2	2	2	2	2	2	2	2	2	2
NS	1171-057	Filter Door Screw	2	2	2	2	2	2	2	2	2	2	2	2
NS	1171-027	Filter Door Screw Retainer	2	2	2	2	2	2	2	2	2	2	2	2
NS	8620-113	Compressor Crankcase Heater							X	X	X			
NS	CMC-29	Freeze Thermostat Kit										X	X	X

① – Optional on these models

NS – Not Shown

CONTROL PANEL - RIGHT HAND MODELS



SEXP-842

CONTROL PANEL - RIGHT HAND MODELS

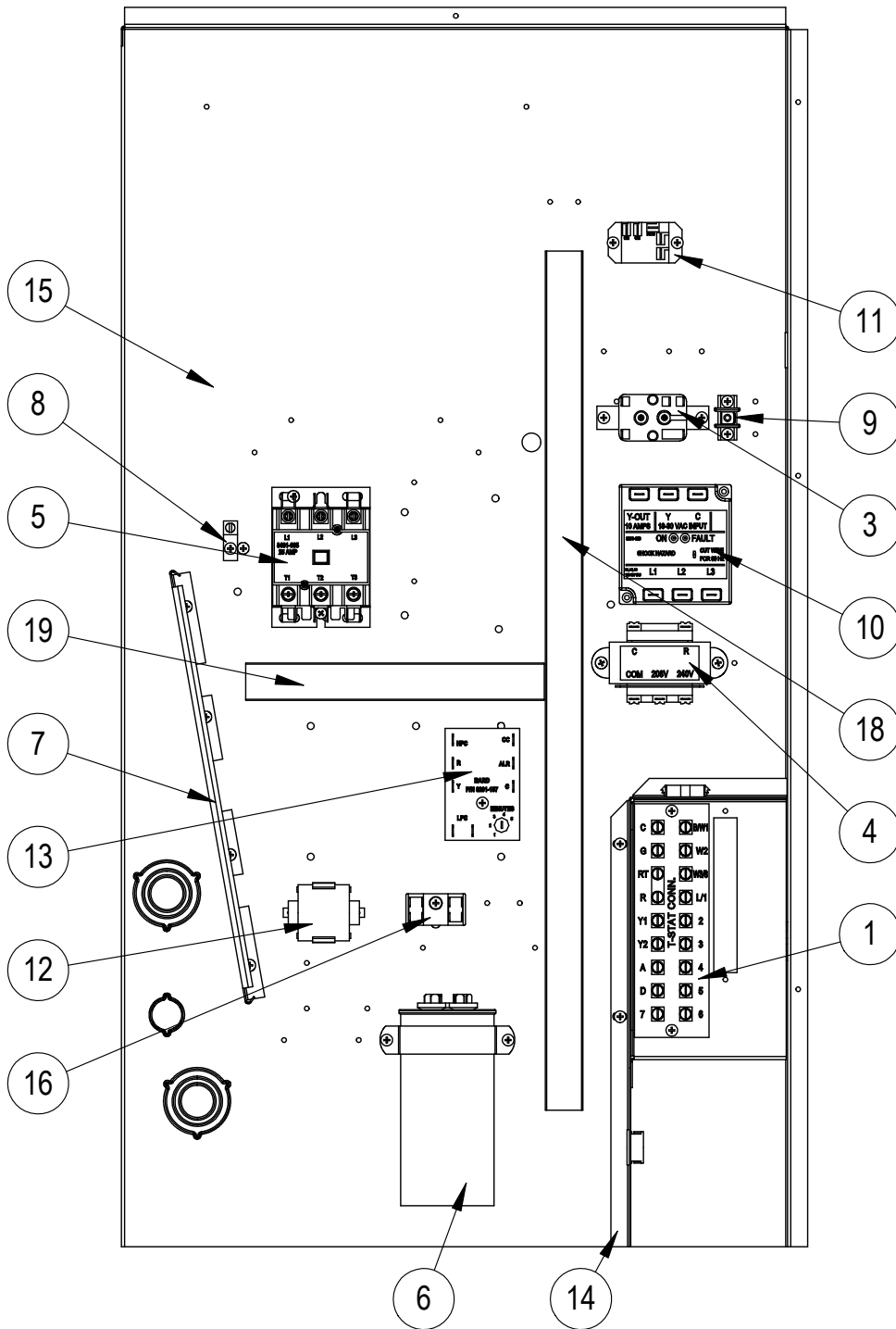
Dwg No.	Part Number	Description	J42AA-A	J42AA-B	J42AA-C	J48AA-A	J48AA-B	J48AA-C	J60AA-A	J60AA-B	J60AA-C	J72AA-A	J72AA-B	J72AA-C
1	8607-044	Low Voltage Terminal Strip	X	X	X	X	X	X	X	X	X	X	X	X
3	8201-130	Blower Control Relay	X			X			X			X	X	X
3	8201-009	Blower Control Relay		X			X			X				
3	8201-032	Blower Control Relay			X			X			X			
4	8407-034	Transformer	X	X		X	X		X	X		X	X	
4	8407-042	Transformer			X			X			X			X
5	8401-035	Compressor Contactor		X	X		X	X		X	X		X	X
5	8401-034	Compressor Contactor	X			X			X			X		X
6	8552-005	Compressor Capacitor		X			X			X				X
6	8552-026	Outdoor Motor Capacitor			X			X			X			
6	8552-079	Outdoor Motor Capacitor	X											
6	8552-089	Compressor Capacitor				X								
6	8552-059	Compressor Capacitor						X						
6	8552-097	Outdoor Motor Capacitor										X		
6	8552-004	Compressor Capacitor											X	
7	135-122	Wire Shield	X	X	X	X	X	X	X	X	X	X	X	X
8	8611-006	Ground Terminal	X	X	X	X	X	X	X	X	X	X	X	X
9	8607-041	Park Terminal	X	X	X	X	X	X	X	X	X			
10	8201-126	Phase Monitor		X	X		X	X		X	X		X	X
11	8201-130	Alarm Relay ①	X	X	X	X	X	X	X	X	X	X	X	X
12	8551-004	Start Device (PTCR) ①	X			X			X			X		
13	8201-157	Compressor Control Module	X	X	X	X	X	X	X	X	X	X	X	X
14	117X371	Low Voltage Box	X	X	X	X	X	X	X	X	X	X	X	X
15	117X373	Control Panel	X	X	X	X	X	X	X	X	X	X	X	X
16	8607-017	Terminal Block ①	X	X	X	X	X	X	X	X	X	X	X	X
18	8611-140-2300	Cable Duct	X	X	X	X	X	X	X	X	X	X	X	X
19	8611-140-0800	Cable Duct	X	X	X	X	X	X	X	X	X	X	X	X
NS	3000-1222	Compressor Plug/Harness	X			X								
NS	3000-1231	Compressor Plug/Harness		X	X		X	X						
NS	3000-1508	Compressor Plug/Harness							X					
NS	3000-1509	Compressor Plug/Harness								X	X			
NS	3000-1510	Compressor Plug/Harness										X		
NS	3000-1511	Compressor Plug/Harness											X	X
NS	3003-008	Main Wire Harness	X			X			X					
NS	3003-009	Main Wire Harness		X	X		X	X		X	X			
NS	3003-014	Main Wire Harness										X		
NS	3003-015	Main Wire Harness											X	X
NS	3000-1494	Low Voltage Terminal Block Harness	X	X	X	X	X	X	X	X	X	X	X	X
NS	8615-040	Circuit Breaker 50A 2 Pole ②	X			X								
NS	8615-042	Circuit Breaker 35A 3 Pole ②		X			X							
NS	8615-041	Circuit Breaker 60A 2 Pole ②						X				X	X	
NS	8615-043	Circuit Breaker 40A 3 Pole ②							X					
NS	8615-067	Toggle Disconnect ②			X			X			X			X
NS	4095-185	Wiring Diagram	X			X			X					
NS	4095-262	Wiring Diagram		X			X			X				
NS	4095-362	Wiring Diagram			X			X			X			
NS	4095-188	Wiring Diagram					X					X		
NS	4095-264	Wiring Diagram											X	
NS	4095-364	Wiring Diagram												X

① Optional on these models.

② Circuit breakers listed are for units without electric heat "OZ" models. Hot gas bypass models not available without electric heat. See heater replacement parts manual for units with electric heat.

NS – Not Shown

CONTROL PANEL - LEFT HAND MODELS



SEXP-843

CONTROL PANEL - LEFT HAND MODELS

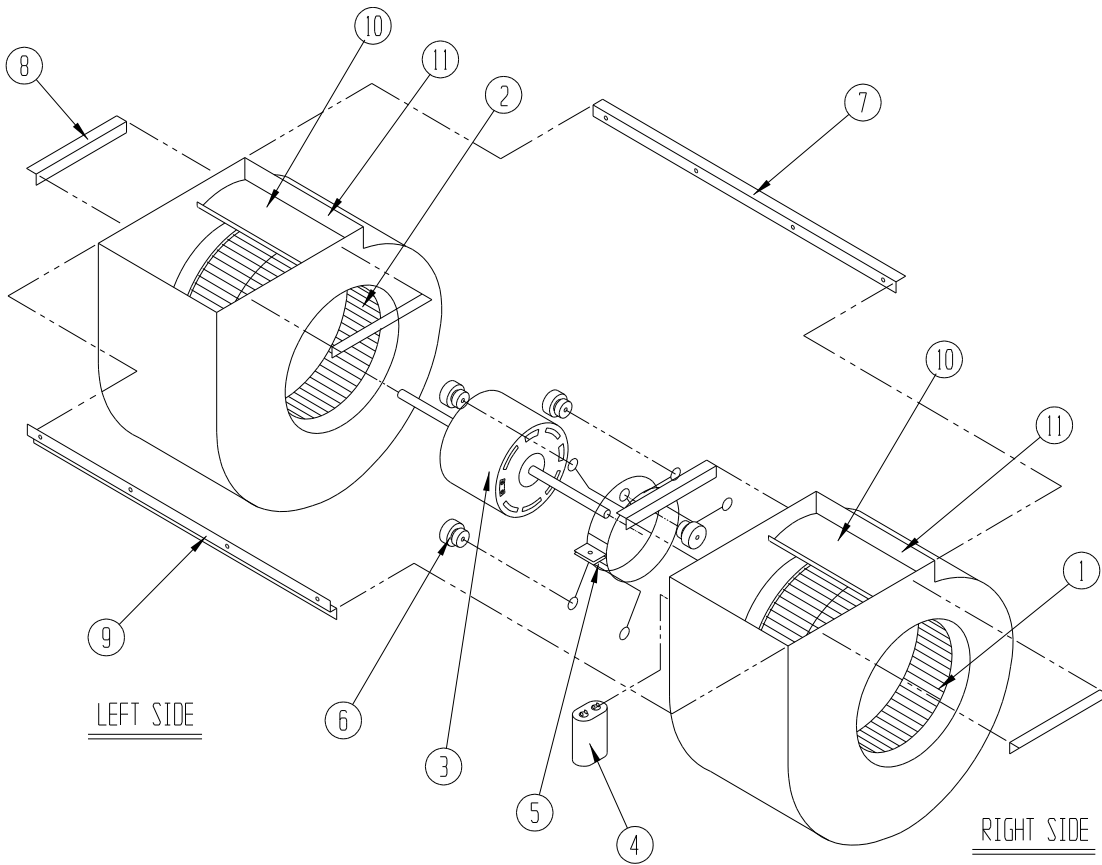
Dwg No.	Part Number	Description	J42LA-A	J42LA-B	J42LA-C	J48LA-A	J48LA-B	J48LV-C	J60LA-A	J60LA-B	J60LA-C	J72LA-A	J72LA-B	J72LA-C
1	8607-044	Low Voltage Terminal Strip	X	X	X	X	X	X	X	X	X	X	X	X
3	8201-130	Blower Control Relay	X			X			X			X	X	X
3	8201-009	Blower Control Relay		X			X			X				
3	8201-032	Blower Control Relay			X			X			X			
4	8407-034	Transformer	X	X		X	X		X	X		X	X	
4	8407-042	Transformer			X			X			X			X
5	8401-035	Compressor Contactor		X	X		X	X		X	X		X	X
5	8401-034	Compressor Contactor	X			X			X			X		
6	8552-079	Compressor Capacitor	X											
6	8552-005	Outdoor Motor Capacitor		X			X			X				X
6	8552-026	Outdoor Motor Capacitor			X			X			X			
6	8552-059	Compressor Capacitor						X						
6	8552-089	Compressor Capacitor				X								
6	8552-097	Outdoor Motor Capacitor										X		
6	8552-004	Compressor Capacitor											X	
7	135-122	Wire Shield	X	X	X	X	X	X	X	X	X	X	X	X
8	8611-006	Ground Terminal	X	X	X	X	X	X	X	X	X	X	X	X
9	8607-041	6 Pin Connector Park Terminal	X	X	X	X	X	X	X	X	X			
10	8201-126	Phase Monitor		X	X		X	X		X	X		X	X
11	8201-130	Alarm Relay ①	X	X	X	X	X	X	X	X	X	X	X	X
12	8551-004	Start Device (PTCR) ①	X			X			X			X		
13	8201-157	Compressor Control Module	X	X	X	X	X	X	X	X	X	X	X	X
14	117Y371	Low Voltage Box	X	X	X	X	X	X	X	X	X	X	X	X
15	117Y373	Control Panel	X	X	X	X	X	X	X	X	X	X	X	X
16	8607-017	Terminal Block ①	X	X	X	X	X	X	X	X	X	X	X	X
18	8611-140-2300	Cable Duct	X	X	X	X	X	X	X	X	X	X	X	X
19	8611-140-0800	Cable Duct	X	X	X	X	X	X	X	X	X	X	X	X
NS	3000-1222	Compressor Plug/Harness	X			X								
NS	3000-1231	Compressor Plug/Harness		X	X		X	X						
NS	3000-1508	Compressor Plug/Harness							X					
NS	3000-1509	Compressor Plug/Harness								X	X			
NS	3000-1510	Compressor Plug/Harness										X		
NS	3000-1511	Compressor Plug/Harness											X	X
NS	3003-008	Main Wire Harness	X			X			X					
NS	3003-009	Main Wire Harness		X	X		X	X		X	X			
NS	3003-014	Main Wire Harness										X		
NS	3003-015	Main Wire Harness											X	X
NS	300-1494	Low Voltage Terminal Block Harness	X	X	X	X	X	X	X	X	X	X	X	X
NS	8615-040	Circuit Breaker 50A 2 Pole ②	X			X								
NS	8615-042	Circuit Breaker 35A 3 Pole ②		X			X							
NS	8615-044	Circuit Breaker 45A 3 Pole ②							X					
NS	8615-041	Circuit Breaker 40A 3 Pole ②						X				X	X	
NS	8615-067	Toggle Disconnect ②			X			X			X			X
NS	4095-185	Wiring Diagram	X			X			X					
NS	4095-262	Wiring Diagram		X			X			X				
NS	4095-362	Wiring Diagram			X			X			X			
NS	4095-188	Wiring Diagram										X		
NS	4095-264	Wiring Diagram											X	
NS	4095-364	Wiring Diagram												X

① Optional on these models.

② Circuit breakers listed are for units without electric heat "OZ" models. Hot gas bypass models not available without electric heat. See heater replacement parts manual for units with electric heat.

NS – Not Shown

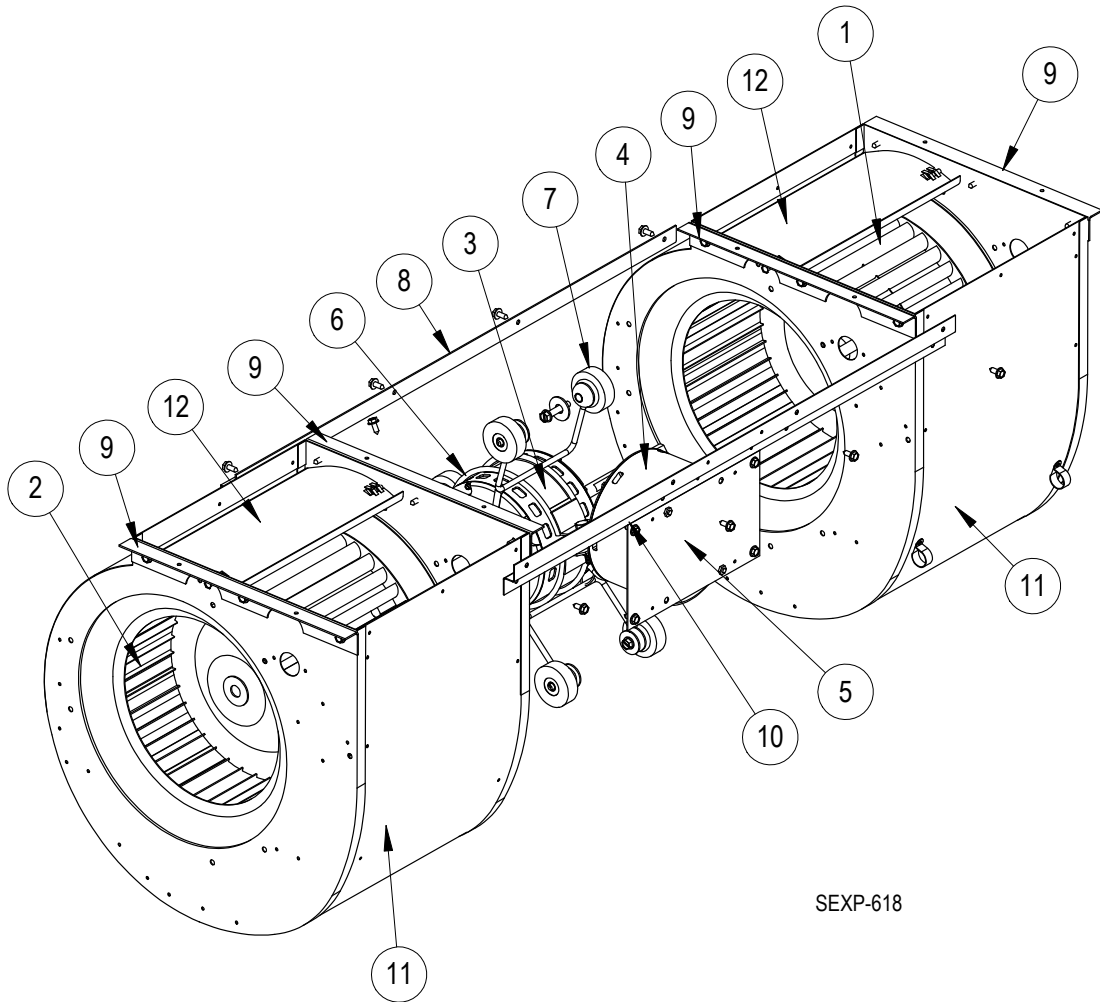
BLOWER ASSEMBLY



SEXP-178

Dwg No.	Part Number	Description	S900-320	S900-321	S900-185	S900-186
1	5152-011	10" Wheel (CW)			X	X
1	5152-057	9" Wheel (CW)	X	X		
2	5152-012	10" Wheel (CW)			X	X
2	5152-058	9" Wheel (CW)	X	X		
3	8105-061	Blower Motor (230/208)	X			
3	8105-062	Blower Motor (460)		X		
3	8106-046	Blower Motor (230/208)			X	
3	8106-025	Blower Motor (460)				X
4	8552-091	Capacitor	X	X		
4	8552-005	Capacitor			X	X
5	8200-040	Motor Mount	X	X	X	X
6	5451-011	Grommets	6	6	6	6
7	105-881	Back Brace	X	X	X	X
8	105-880	Side Angle	4	4	4	4
9	103-389	Front Brace	X	X	X	X
10	151-101	Housing	2	2	2	2
11	144-166	Diffuser	2	2	2	2

BLOWER ASSEMBLY



SEXP-618

Dwg. No.	Part Number	Description	S900-348-001	S900-349-001
1	5152-011	10-Inch Wheel (CW)	X	X
2	5152-012	10-Inch Wheel (CCW)	X	X
3	S8107-019-0135	1/2 HP Programmed Motor	X	
3	S8107-026-0136	3/4 HP Programmed Motor		X
4	C8107-019-0135	Programmed Motor Control Only	X	
4	C8107-026-0136	Programmed Motor Control Only		X
5	112-580	Blower Motor Control Bracket	X	X
6	8200-040	Motor Mount	X	X
7	5451-011	Grommets	6	6
8	105-881	Back Brace	X	X
9	105-880	Side Angle	4	4
10	103-389	Front Brace	X	X
11	151-101	Housing	2	2
12	144-166	Diffuser	2	2