

REPLACEMENT PARTS MANUAL

MULTI-TEC® WALL-MOUNT AIR CONDITIONER Part of the Bard Free Cooling Unit System

Models:

W42AAEA	W48AAEA	W48AAPA	W60ABEA	W60ABPA	W72ABPA
W42AAEB	W48AAEB	W48AAPB	W60ABEB	W60ABPB	W72ABPB
W42AAEC	W48AAEC	W48AAPC	W60ABEC	W60ABPC	W72ABPC
W42AAPA	W48AAEQ	W48AAPE	W60ABEQ	W60ABPE	W72ABPF
W42AAPB		W48AAPF		W60ABPF	W72ABPQ
W42AAPC		W48AAPQ		W60ABPQ	
W42AAPE					
W42AAPF					

Contents

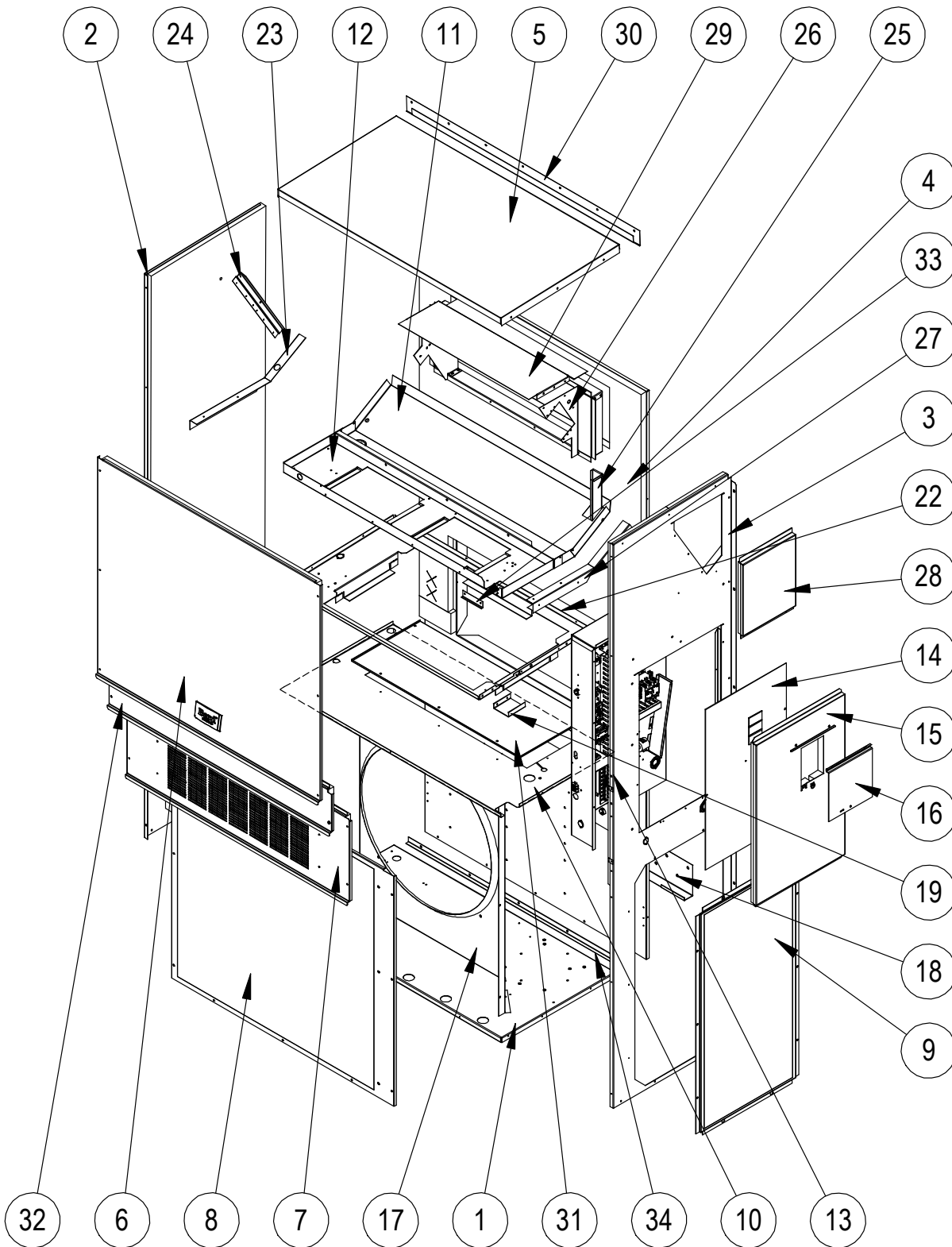
Description	Page	Description	Page
Cabinet Components		Freecooling Air Hood	
♦ Exploded View	2	♦ Exploded View	17
♦ Usage List	3, 4	♦ Usage List	17
Functional Components		Freecooling Damper Motor	
♦ Exploded View	6	♦ Exploded View	18
♦ Usage List	7, 8, 9	♦ Usage List	18
Control Panel		General Notes	
♦ Layout View	10	➤ Revised and/or additional pages may be issued from time to time.	
♦ Usage List	11, 12, 13	➤ A complete and current manual consists of pages shown in the following contents section.	
Blower Assembly		Important	
♦ Exploded View	14	➤ Contact the installing and/or local Bard distributor for all parts requirements. Make sure to have the complete model and serial number available from the unit rating plates.	
♦ Usage List	14		
♦ Exploded View	15		
♦ Usage List	15		
Freecooling Components			
♦ Exploded View	16		
♦ Usage List	16		



Bard Manufacturing Company, Inc.
Bryan, Ohio 43506
www.bardvac.com

Manual: 2110-1438H
Supersedes: 2110-1438G
Date: 10-11-18

CABINET COMPONENTS



This drawing is referenced in tables on pages 3 and 4

SEXP-884

CABINET COMPONENTS

Dwg No.	Part Number	Description	W42AAEA, B	W42AAEC	W42AAPA, B, E	W42AAPC, F	W48AAEA, B	W48AAEC	W48AAEQ	W48AAPA, B, E	W48AAPC, F	W48AAPQ
1	127-553	Lower Base	X	X	X	X	X	X	X	X	X	X
1	S527-557 ③	Lower Base	X	X	X	X	X	X	X	X	X	X
2	S501-686-* ①	Left Side	X	X	X	X	X	X	X	X	X	X
2	S501-699 ②	Left Side	X	X	X	X	X	X	X	X	X	X
2	S501-1004 ③	Left Side	X	X	X	X	X	X	X	X	X	X
3	S501-840-* ①	Right Side	X	X	X	X	X	X	X	X	X	X
3	S501-924 ②	Right Side	X	X	X	X	X	X	X	X	X	X
3	S501-1003 ③	Right Side	X	X	X	X	X	X	X	X	X	X
4	S508-098	Back	X	X	X	X	X	X	X	X	X	X
4	S508-275 ②	Back	X	X	X	X	X	X	X	X	X	X
4	S508-395 ③	Back	X	X	X	X	X	X	X	X	X	X
5	S507-307-* ①	Top	X	X	X	X	X	X	X	X	X	X
5	S507-309 ②	Top	X	X	X	X	X	X	X	X	X	X
5	S507-310 ③	Top	X	X	X	X	X	X	X	X	X	X
6	S515-230-* ①	Upper Front	X	X	X	X	X	X	X	X	X	X
6	S514-231 ②	Upper Front	X	X	X	X	X	X	X	X	X	X
6	S515-232 ③	Upper Front	X	X	X	X	X	X	X	X	X	X
7	S553-522-* ①	Vent Option Door	X	X	X	X	X	X	X	X	X	X
7	S553-529-* ①	Vent Option Door with ERV	X	X	X	X	X	X	X	X	X	X
7	S553-525 ②	Vent Option Door	X	X	X	X	X	X	X	X	X	X
7	S553-527 ③	Vent Option Door	X	X	X	X	X	X	X	X	X	X
8	118-048-* ①	Condenser Grille	X	X	X	X	X	X	X	X	X	X
8	118-064 ②	Condenser Grille	X	X	X	X	X	X	X	X	X	X
8	118-072 ③	Condenser Grille	X	X	X	X	X	X	X	X	X	X
9	118-057-* ①	Side Grille	2	2	2	2	2	2	2	2	2	2
9	118-063 ②	Side Grille	2	2	2	2	2	2	2	2	2	2
9	118-073 ③	Side Grille	2	2	2	2	2	2	2	2	2	2
10	S521X503	Condenser Partition	X	X	X	X	X	X	X	X	X	X
10	S521-559 ③	Condenser Partition	X	X	X	X	X	X	X	X	X	X
11	S123-122	Drain Pan	X	X	X	X	X	X	X	X	X	X
11	S123-125 ②③	Drain Pan	X	X	X	X	X	X	X	X	X	X
12	121X463	Blower Partition	X	X	X	X	X	X	X	X	X	X
13	Control Panel Assy.	See Control Panel Assy. Drawing & Parts List	X	X	X	X	X	X	X	X	X	X
14	S132-277	Control Panel Cover (Inner)	X		X	X			X			
14	S132-278	Control Panel Cover (Inner)		X		X		X			X	X
15	S533-279-* ①	Control Panel Cover (Outer)	X	X	X	X	X	X	X	X	X	X
15	S533-275 ②	Control Panel Cover (Outer)	X	X	X	X	X	X	X	X	X	X
15	S533-276 ③	Control Panel Cover (Outer)	X	X	X	X	X	X	X	X	X	X
16	S153-218-* ①	Disconnect Access Door	X	X	X	X	X	X	X	X	X	X
16	S153-387 ②	Disconnect Access Door	X	X	X	X	X	X	X	X	X	X
16	S153-405 ③	Disconnect Access Door	X	X	X	X	X	X	X	X	X	X
17	125-024	Fan Shroud	X	X	X	X	X	X	X	X	X	X
17	125-058 ④	Fan Shroud	X	X	X	X	X	X	X	X	X	X
18	113-140	Bottom Mounting Bracket	X	X	X	X	X	X	X	X	X	X
19	137-209	Fill	X	X	X	X	X	X	X	X	X	X
22	131X099	Filter Tray	X	X	X	X	X	X	X	X	X	X
23	105X877	Left Side Support	X	X	X	X	X	X	X	X	X	X
24	147-046	Left Evaporator Support	X	X	X	X	X	X	X	X	X	X
25	135-377	Raceway	2	2	2	2	2	2	2	2	2	2
26	S111X034	Outlet Air Frame Assembly	X	X	X	X	X	X	X	X	X	X
27	105X878	Right Side Support	X	X	X	X	X	X	X	X	X	X
28	S543-172-* ①	Right Side Cover Plate (Outer)	X	X	X	X	X	X	X	X	X	X
28	S543-176 ②	Right Side Cover Plate (Outer)	X	X	X	X	X	X	X	X	X	X
28	S543-177 ③	Right Side Cover Plate (Outer)	X	X	X	X	X	X	X	X	X	X
29	135-129	Heat Shield	X	X	X	X	X	X	X	X	X	X
30	113-150-* ①	Top Rain Flashing	X	X	X	X	X	X	X	X	X	X
30	113-359 ④	Top Rain Flashing	X	X	X	X	X	X	X	X	X	X
31	S536-804	Cond. Partition Block Off Plate	X	X	X	X	X	X	X	X	X	X
31	536-881 ③	Cond. Partition Block Off Plate	X	X	X	X	X	X	X	X	X	X
32	S553-521-* ①	Filter Door Assembly	X	X	X	X	X	X	X	X	X	X
32	S553-526 ②	Filter Door Assembly	X	X	X	X	X	X	X	X	X	X
32	S553-708 ③	Filter Door Assembly	X	X	X	X	X	X	X	X	X	X
33	105-1302	Grommet Retainer	X	X	X	X	X	X	X	X	X	X
34	105-1324	Close Off Angle	X	X	X	X	X	X	X	X	X	X
NS	BOP-5	Blank Off Plate	X	X	X	X	X	X	X	X	X	X

- ① Exterior cabinet parts are manufactured with various paint color options. To ensure the proper paint color is received, please reference the following codes: Beige -X, White -1, Buckeye Gray -4, Desert Brown -5, Dark Bronze -8
 ② Exterior cabinet parts are manufactured from aluminum Code "A"
 ③ Exterior cabinet parts are manufactured from stainless steel Code "S"

CABINET COMPONENTS

Dwg No.	Part Number	Description	W60ABEA, B	W60ABEC	W60ABEQ	W60ABPA, B, E	W60ABPC, F	W60ABPQ	W72ABPA, B	W72ABPC, F	W72ABPQ
1	127-553	Lower Base	X	X	X	X	X	X	X	X	X
1	S527-557 ③	Lower Base	X	X	X	X	X	X	X	X	X
2	S501-733-* ①	Left Side	X	X	X	X	X	X	X	X	X
2	S501-828 ②	Left Side	X	X	X	X	X	X	X	X	X
2	S501-1010 ③	Left Side	X	X	X	X	X	X	X	X	X
3	S501-841-* ①	Right Side	X	X	X	X	X	X	X	X	X
3	S501-928 ②	Right Side	X	X	X	X	X	X	X	X	X
3	S501-1009 ③	Right Side	X	X	X	X	X	X	X	X	X
4	S508-251	Back	X	X	X	X	X	X	X	X	X
4	S508-252 ②	Back	X	X	X	X	X	X	X	X	X
4	S508-396 ③	Back	X	X	X	X	X	X	X	X	X
5	S507-307-* ①	Top	X	X	X	X	X	X	X	X	X
5	S507-309 ②	Top	X	X	X	X	X	X	X	X	X
5	S507-310 ③	Top	X	X	X	X	X	X	X	X	X
6	S515-246-* ①	Upper Front	X	X	X	X	X	X	X	X	X
6	S515-280 ②	Upper Front	X	X	X	X	X	X	X	X	X
6	S515-253 ③	Upper Front	X	X	X	X	X	X	X	X	X
7	S553-522-* ①	Vent Option Door	X	X	X	X	X	X	X	X	X
7	S553-529-* ①	Vent Option Door with ERV	X	X	X	X	X	X	X	X	X
7	S553-525 ②	Vent Option Door	X	X	X	X	X	X	X	X	X
7	S553-527 ③	Vent Option Door	X	X	X	X	X	X	X	X	X
8	118-085-* ①	Condenser Grille	X	X	X	X	X	X	X	X	X
8	118-087 ②	Condenser Grille	X	X	X	X	X	X	X	X	X
8	118-089 ③	Condenser Grille	X	X	X	X	X	X	X	X	X
9	118-086-* ①	Side Grille	2	2	2	2	2	2	2	2	2
9	118-088 ②	Side Grille	2	2	2	2	2	2	2	2	2
9	118-090 ③	Side Grille	2	2	2	2	2	2	2	2	2
10	S521X503	Condenser Partition	X	X	X	X	X	X	X	X	X
10	S521-559 ③	Condenser Partition	X	X	X	X	X	X	X	X	X
11	S123-122	Drain Pan	X	X	X	X	X	X	X	X	X
11	S123-125 ②③	Drain Pan	X	X	X	X	X	X	X	X	X
12	121X463	Blower Partition	X	X	X	X	X	X	X	X	X
13	Control Panel Assy.	See Control Panel Assy. Drawing & Parts List	X	X	X	X	X	X	X	X	X
14	S132-277	Control Panel Cover (Inner)	X			X			X		
14	S132-278	Control Panel Cover (Inner)		X	X		X	X		X	X
15	S533-279-* ①	Control Panel Cover (Outer)	X	X	X	X	X	X	X	X	X
15	S533-275 ②	Control Panel Cover (Outer)	X	X	X	X	X	X	X	X	X
15	S533-276 ③	Control Panel Cover (Outer)	X	X	X	X	X	X	X	X	X
16	S153-218-* ①	Disconnect Access Door	X	X	X	X	X	X	X	X	X
16	S153-387 ②	Disconnect Access Door	X	X	X	X	X	X	X	X	X
16	S153-405 ③	Disconnect Access Door	X	X	X	X	X	X	X	X	X
17	125-070	Fan Shroud	X	X	X	X	X	X			
17	125-079 ③	Fan Shroud	X	X	X	X	X	X			
17	125-084	Fan Shroud							X	X	X
18	113-140	Bottom Mounting Bracket	X	X	X	X	X	X	X	X	X
19	137-209	Fill	X	X	X	X	X	X	X	X	X
22	131X099	Filter Tray	X	X	X	X	X	X	X	X	X
23	105X877	Left Side Support	X	X	X	X	X	X	X	X	X
24	147-046	Left Evaporator Support	X	X	X	X	X	X	X	X	X
25	135-377	Raceway	2	2	2	2	2	2	2	2	2
26	S111X034	Outlet Air Frame Assembly	X	X	X	X	X	X	X	X	X
27	105X878	Right Side Support	X	X	X	X	X	X	X	X	X
28	S543-172-* ①	Right Side Cover Plate (Outer)	X	X	X	X	X	X	X	X	X
28	S543-176 ②	Right Side Cover Plate (Outer)	X	X	X	X	X	X	X	X	X
28	S543-177 ③	Right Side Cover Plate (Outer)	X	X	X	X	X	X	X	X	X
29	135-129	Heat Shield	X	X	X	X	X	X	X	X	X
30	113-150-* ①	Top Rain Flashing	X	X	X	X	X	X	X	X	X
30	113-359 ③	Top Rain Flashing	X	X	X	X	X	X	X	X	X
31	S536-804	Cond. Partition Block Off Plate	X	X	X	X	X	X	X	X	X
31	536-881 ③	Cond. Partition Block Off Plate	X	X	X	X	X	X	X	X	X
32	S553-521-* ①	Filter Door Assembly	X	X	X	X	X	X	X	X	X
32	S553-526 ②	Filter Door Assembly	X	X	X	X	X	X	X	X	X
32	S553-708 ③	Filter Door Assembly	X	X	X	X	X	X	X	X	X
33	105-1302	Grommet Retainer	X	X	X	X	X	X	X	X	X
34	105-1324	Close Off Angle	X	X	X	X	X	X	X	X	X
NS	BOP-5	Blank Off Plate	X	X	X	X	X	X	X	X	X

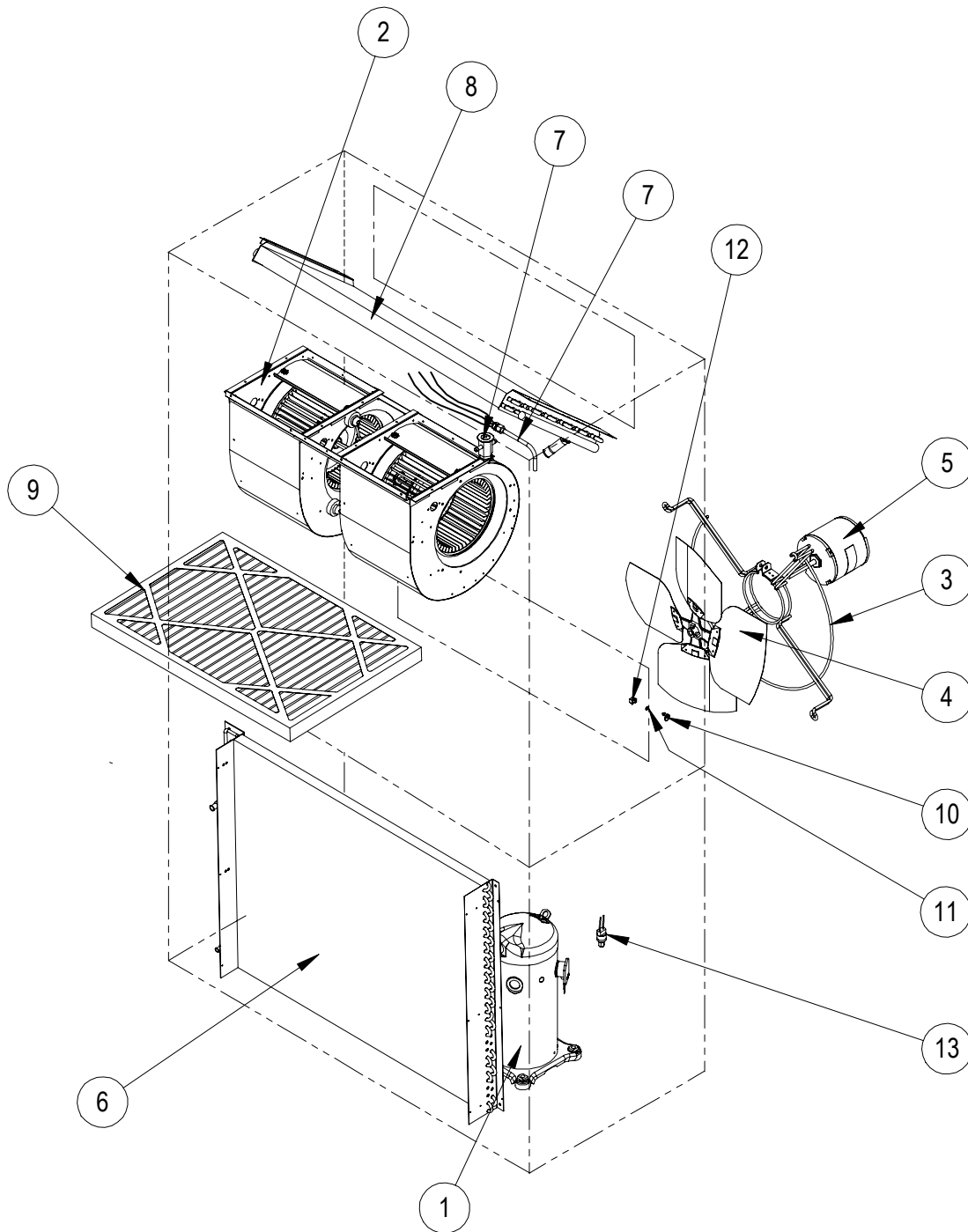
① Exterior cabinet parts are manufactured with various paint color options. To ensure the proper paint color is received, please reference the following codes: Beige -X, White -1, Buckeye Gray -4, Desert Brown -5, Dark Bronze -8

② Exterior cabinet parts are manufactured from aluminum Code "A"

③ Exterior cabinet parts are manufactured from stainless steel Code "S"

This page intentionally left blank

FUNCTIONAL COMPONENTS



SEXP-177 A

This drawing is referenced in tables on pages 7, 8 and 9

FUNCTIONAL COMPONENTS

Dwg No.	Part Number	Description	W42AAEA	W42AAEB	W42AAEC	W42AAPA	W42AAPB	W42AAPC	W42AAPE	W42AAPF
1	8000-349	Compressor	X			X				
1	8000-350	Compressor		X			X		X	
1	8000-351	Compressor			X			X		X
2	S900-320	Blower Assembly	X	X		X	X		X	X
2	S900-321	Blower Assembly			X			X		
3	8200-004	Fan Motor Mount	X	X	X	X	X	X	X	X
3	8200-051 ①	Stainless Steel Fan Motor Mount	X	X	X	X	X	X	X	X
4	5151-060	Fan Blade	X	X	X	X	X	X	X	X
4	5151C060 ①	Coated Fan Blade	X	X	X	X	X	X	X	X
5	8105-030	Condenser Motor			X			X		
5	8105-066	Condenser Motor	X	X		X	X			X
5	8105-039	Condenser Motor							X	
6	5051-200BX	Condenser Coil	X	X	X	X	X	X	X	X
6	5054-200BX	Condenser Coil - Coated	X	X	X	X	X	X	X	X
7	800-0452	Distributor Assembly	X	X	X	X	X	X	X	X
8	917-0255BX	Evaporator Coil	X	X	X	X	X	X	X	X
8	917-0265BX	Evaporator Coil - Coated	X	X	X	X	X	X	X	X
9	7004-016	Air Filter 1" Throw-Away (20x30x1)	X	X	X	X	X	X	X	X
9	7003-030	Air Filter 1" Washable (20x30x1)	X	X	X	X	X	X	X	X
9	7004-027	Air Filter 2" Pleated (20x30x2)	X	X	X	X	X	X	X	X
10	1171-022	1/4 Turn Fastener	X	X	X	X	X	X	X	X
11	1171-024	1/4 Turn Retainer	X	X	X	X	X	X	X	X
12	1171-023	1/4 Receptacle	X	X	X	X	X	X	X	X
13	8406-142	High Pressure Switch	X	X	X	X	X	X	X	X
13	8406-140	Low Pressure Switch	X	X	X	X	X	X	X	X
NS	5201-022	Filter Drier	X	X	X	X	X	X	X	X
NS	CMA-28	Low Ambient Control (Flare) ②	X	X	X	X	X	X	X	X
NS	5451-024	Tubing Isolation Grommet	2	2	2	2	2	2	2	2
NS	6031-009	Coremax Valve Core	2	2	2	2	2	2	2	2
NS	1171-028	Filter Door Clip	2	2	2	2	2	2	2	2
NS	1171-057	Filter Door Screw	2	2	2	2	2	2	2	2
NS	1171-027	Filter Door Screw Retainer	2	2	2	2	2	2	2	2
NS	8605-017	Crankcase Heater	X	X		X	X		X	X
NS	8605-018	Crankcase Heater			X			X		

NS – Not Shown

① – Used with stainless steel cabinet option

② – Optional on these models

FUNCTIONAL COMPONENTS

Dwg No.	Part Number	Description	W48AAEA	W48AAEB	W48AAEC	W48AAEQ	W48AAPA	W48AAPB	W48AAPC	W48AAPE	W48AAPF	W48AAPQ	W60ABEA	W60ABEB	W60ABEC	W60ABEQ	W60ABPA	W60ABPB	W60ABPC	W60ABPE	W60ABPF	W60ABPQ	
1	8000-343	Compressor	X				X																
1	8000-344	Compressor		X				X		X													
1	8000-345	Compressor			X				X		X												
1	8000-427	Compressor				X						X											
1	8000-324	Compressor											X					X					
1	8000-325	Compressor												X					X		X		
1	8000-326	Compressor													X					X		X	
1	8000-428	Compressor														X							X
2	S900-320	Blower Assembly	X	X		X	X	X		X	X	X											
2	S900-321	Blower Assembly			X				X														
2	S900-185	Blower Assembly											X	X		X	X	X			X	X	X
2	S900-186	Blower Assembly													X				X				
3	8200-004	Fan Motor Mount	X	X	X	X	X	X	X	X	X	X	X	X	X	X	X	X	X	X	X	X	X
3	8200-051 ①	Stainless Steel Fan Motor Mount	X	X	X	X	X	X	X	X	X	X	X	X	X	X	X	X	X	X	X	X	X
4	5151-060	Fan Blade	X	X	X	X	X	X	X	X	X	X	X	X	X	X	X	X	X	X	X	X	X
4	5151C060 ①	Coated Fan Blade	X	X	X	X	X	X	X	X	X	X	X	X	X	X	X	X	X	X	X	X	X
5	8105-030	Condenser Motor			X				X						X					X			
5	8105-066	Condenser Motor	X	X		X	X	X				X	X	X		X	X	X					X
5	8105-039	Condenser Motor								X	X										X	X	
6	5051-199BX	Condenser Coil	X	X	X	X	X	X	X	X	X	X											
6	5054-199BX	Condenser Coil - Coated	X	X	X	X	X	X	X	X	X	X											
6	5051-198BX	Condenser Coil											X	X	X	X	X	X	X	X	X	X	X
6	5054-198BX	Condenser Coil - Coated											X	X	X	X	X	X	X	X	X	X	X
7	800-0451	Distributor Assembly	X	X	X	X	X	X	X	X	X	X											
7	800-0453	Distributor Assembly											X	X	X	X	X	X	X	X	X	X	X
8	917-0256BX	Evaporator Coil	X	X	X	X	X	X	X	X	X	X											
8	917-0266BX	Evaporator Coil - Coated	X	X	X	X	X	X	X	X	X	X											
8	917-0257BX	Evaporator Coil											X	X	X	X	X	X	X	X	X	X	X
8	917-0268BX	Evaporator Coil - Coated											X	X	X	X	X	X	X	X	X	X	X
9	7004-016	Air Filter 1" Throw-Away (20x30x1)	X	X	X	X	X	X	X	X	X	X	X	X	X	X	X	X	X	X	X	X	X
9	7003-030	Air Filter 1" Washable (20x30x1)	X	X	X	X	X	X	X	X	X	X	X	X	X	X	X	X	X	X	X	X	X
9	7004-027	Air Filter 2" Pleated (20x30x2)	X	X	X	X	X	X	X	X	X	X	X	X	X	X	X	X	X	X	X	X	X
10	1171-022	1/4 Turn Fastener	X	X	X	X	X	X	X	X	X	X	X	X	X	X	X	X	X	X	X	X	X
11	1171-024	1/4 Turn Retainer	X	X	X	X	X	X	X	X	X	X	X	X	X	X	X	X	X	X	X	X	X
12	1171-023	1/4 Receptacle	X	X	X	X	X	X	X	X	X	X	X	X	X	X	X	X	X	X	X	X	X
13	8406-142	High Pressure Switch	X	X	X	X	X	X	X	X	X	X	X	X	X	X	X	X	X	X	X	X	X
13	8406-140	Low Pressure Switch	X	X	X	X	X	X	X	X	X	X	X	X	X	X	X	X	X	X	X	X	X
NS	5201-022	Filter Drier	X	X	X	X	X	X	X	X	X	X	X	X	X	X	X	X	X	X	X	X	X
NS	CMA-28	Low Ambient Control (Flare) ②	X	X	X	X	X	X	X	X	X	X	X	X	X	X	X	X	X	X	X	X	X
NS	5451-024	Tubing Isolation Grommet	2	2	2	2	2	2	2	2	2	2	2	2	2	2	2	2	2	2	2	2	2
NS	6031-009	Coremax Valve Core	2	2	2	2	2	2	2	2	2	2	2	2	2	2	2	2	2	2	2	2	2
NS	8620-113	Compressor Crankcase Heater											X	X	X		X	X	X	X	X	X	
NS	1171-028	Filter Door Clip	2	2	2	2	2	2	2	2	2	2	2	2	2	2	2	2	2	2	2	2	2
NS	1171-057	Filter Door Screw	2	2	2	2	2	2	2	2	2	2	2	2	2	2	2	2	2	2	2	2	2
NS	1171-027	Filter Door Screw Retainer	2	2	2	2	2	2	2	2	2	2	2	2	2	2	2	2	2	2	2	2	2
NS	8605-017	Crankcase Heater	X	X			X	X		X	X												
NS	8605-018	Crankcase Heater			X				X														
NS	8605-022	Crankcase Heater											X	X	X	X	X	X	X	X	X	X	X
NS	8605-021	Crankcase Heater 575V				X						X											

NS – Not Shown

① – Used with stainless steel cabinet option

② – Optional on these models

FUNCTIONAL COMPONENTS

Dwg No.	Part Number	Description	W72ABPA	W72ABPB	W72ABPC	W72ABPF	W72ABPQ
1	8000-403	Compressor	X				
1	8000-404	Compressor		X			
1	8000-405	Compressor			X	X	
1	8000-418	Compressor					X
2	S900-348-001	Blower Assembly	X	X		X	X
2	S900-349-001	Blower Assembly			X		
3	8200-049	Fan Motor Mount	X	X	X	X	X
3	8200-052 ①	Stainless Steel Fan Motor Mount	X	X	X	X	X
4	5151-063	Fan Blade	X	X	X	X	X
4	5151C063 ①	Coated Fan Blade	X	X	X	X	X
5	8106-067	Condenser Motor			X		
5	8106-016	Condenser Motor	X	X		X	X
6	5051-197BX	Condenser Coil	X	X	X	X	X
6	5054-197BX	Condenser Coil - Coated	X	X	X	X	X
7	800-0454	Distributor Assembly	X	X	X	X	X
8	917-0347BX	Evaporator Coil	X	X	X	X	X
8	917-0348BX	Evaporator Coil - Coated	X	X	X	X	X
9	7004-016	Air Filter 1" Throw-Away (20x30x1)	X	X	X	X	X
9	7003-030	Air Filter 1" Washable (20x30x1)	X	X	X	X	X
9	7004-027	Air Filter 2" Pleated (20x30x2)	X	X	X	X	X
10	1171-022	1/4 Turn Fastener	X	X	X	X	X
11	1171-024	1/4 Turn Retainer	X	X	X	X	X
12	1171-023	1/4 Receptacle	X	X	X	X	X
NS	5201-022	Filter Drier	X	X	X	X	X
NS	CMA-28	Low Ambient Control (Flare) ②	X	X	X	X	X
NS	8406-142	High Pressure Switch	X	X	X	X	X
NS	8406-140	Low Pressure Switch	X	X	X	X	X
NS	5451-024	Tubing Isolation Grommet	2	2	2	2	2
NS	CMC-29	Freeze Thermostat Kit	X	X	X	X	X
NS	1171-028	Filter Door Clip	2	2	2	2	2
NS	1171-057	Filter Door Screw	2	2	2	2	2
NS	1171-027	Filter Door Screw Retainer	2	2	2	2	2
NS	6031-009	Coremax Valve Core	2	2	2	2	2
NS	8605-017	Crankcase Heater	X	X		X	
NS	8605-018	Crankcase Heater			X		
NS	8605-021	Crankcase Heater					X

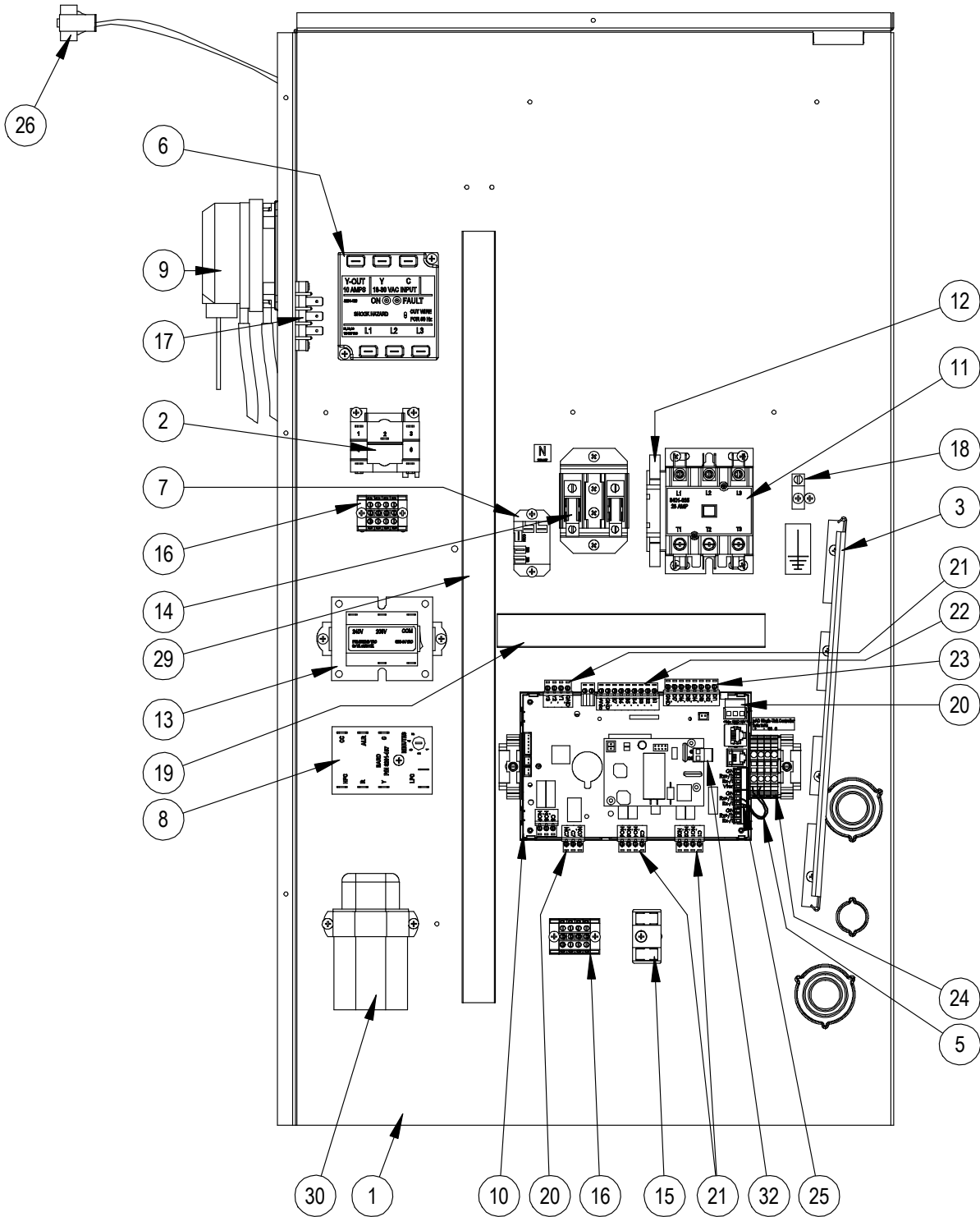
NS – Not Shown

① – Used with stainless steel cabinet option

② – Optional on these models

This table references drawing on page 6

CONTROL PANEL



SEXP-877

This drawing is referenced in tables on pages 11, 12 and 13

CONTROL PANEL

Dwg No.	Part Number	Description	W42AAEA	W42AAEB	W42AAEC	W42AAPA	W42AAPB	W42AAPC	W42AAPE	W42AAPF	W48AAEA	W48AAEB	W48AAEC	W48AAEQ	W48AAPA	W48AAPB	W48AAPC	W48AAPE	W48AAPF	W48AAPQ	
1	517X393	Control Panel Assembly	X	X	X	X	X	X	X	X	X	X	X	X	X	X	X	X	X	X	X
2	8201-032	Blower Relay	X	X	X	X	X	X	X	X	X	X	X	2	X	X	X	X	X	X	2
3	135-122	Wire Shield	X	X	X	X	X	X	X	X	X	X	X	X	X	X	X	X	X	X	X
5	3020-004	12" 2 Conductor Sheathed Cable	X	X	X	X	X	X	X	X	X	X	X	X	X	X	X	X	X	X	X
6	8201-126	3 Phase Line Monitor 50/60 Hz		X	X		X	X	X		X	X	X		X	X	X	X	X	X	X
7	8201-130	Alarm Relay	X	X	X	X	X	X	X	X	X	X	X	X	X	X	X	X	X	X	X
8	8201-164	Compressor Control Module	X	X	X	X	X	X	X	X	X	X	X	X	X	X	X	X	X	X	X
9	8301-057	Filter Switch w/Adjustment	X	X	X	X	X	X	X	X	X	X	X	X	X	X	X	X	X	X	X
10	8301-068-001*	UPC3-MULTI-TEC 2.0.0	X	X	X	X	X	X	X	X	X	X	X	X	X	X	X	X	X	X	X
11	8401-035	Contactor 3-Pole 25 Amp		X	X		X	X	X		X	X	X		X	X	X	X	X	X	X
11	8401-038	Contactor 2-Pole 40 Amp	X			X				X					X						
12	8401-042	Aux. NC Contact		X	X		X	X	X		X	X	X		X	X	X	X	X	X	X
13	8407-048	Transformer 208/240-24 75VA	X	X		X	X		X	X	X				X	X		X			
13	8407-050	Transformer 480/24VAC 75VA			X			X					X				X				
13	8407-066	Transformer 575/230V 2KVA											X								X
14	8607-013	Terminal Block 2 Term. 240V								X											X
15	8607-017	Terminal Block 240V 2 Terminal	X	X	X	X	X	X	X	X	X	X	X	X	X	X	X	X	X	X	X
16	8607-037	Terminal Block 4 Position	X	X	X	X	X	X	X	X	X	X	X	X	X	X	X	X	X	X	X
17	8607-041	Park Terminal	X	X	X	X	X	X	X	X	X	X	X	X	X	X	X	X	X	X	X
18	8611-006	Ground Terminal	X	X	X	X	X	X	X	X	X	X	X	X	X	X	X	X	X	X	X
19	8611-140-0800	2-1/4" x 1" Cable Duct x 8"	X	X	X	X	X	X	X	X	X	X	X	X	X	X	X	X	X	X	X
20	8611-147	3-Pin Circuit Board Connector	X	X	X	X	X	X	X	X	X	X	X	X	X	X	X	X	X	X	X
21	8611-148	4-Pin Circuit Board Connector	X	X	X	X	X	X	X	X	X	X	X	X	X	X	X	X	X	X	X
22	8611-149	9-Pin Circuit Board Connector	X	X	X	X	X	X	X	X	X	X	X	X	X	X	X	X	X	X	X
23	8611-185	8-Pin Circuit Board Connector	X	X	X	X	X	X	X	X	X	X	X	X	X	X	X	X	X	X	X
24	8611-150	Term. Block for DIN Rail RS485	X	X	X	X	X	X	X	X	X	X	X	X	X	X	X	X	X	X	X
25	8611-192	Small 3-Pin Circuit Board Connector	X	X	X	X	X	X	X	X	X	X	X	X	X	X	X	X	X	X	X
26	910-1935	Evap. Temp. Sensor Assembly	X	X	X	X	X	X	X	X	X	X	X	X	X	X	X	X	X	X	X
29	8611-139-2300	1-1/2" X 1-1/2" Cable Duct X 23"	X	X	X	X	X	X	X	X	X	X	X	X	X	X	X	X	X	X	X
30	8552-005	Outdoor Motor Capacitor		X			X		X	X		X		X		X		X		X	X
30	8552-026	Outdoor Motor Capacitor			X			X				X					X				
30	8552-079	Compressor Capacitor	X			X															
30	8552-089	Compressor Capacitor								X					X						
32	8611-183	2-Pin Circuit Board Connector	X	X	X	X	X	X	X	X	X	X	X	X	X	X	X	X	X	X	X
NS	3000-1222	Compressor Plug/Harness Wire Assembly	X			X				X					X						
NS	3000-1230	Compressor Plug/Harness Wire Assembly		X	X		X	X	X		X	X	X		X	X	X	X	X	X	X
NS	8301-075	USB Micro Cable Female to Male	X	X	X	X	X	X	X	X	X	X	X	X	X	X	X	X	X	X	X
NS	4207-100	Wiring Diagram	X			X				X					X						
NS	4207-200	Wiring Diagram		X			X		X		X					X		X			
NS	4207-300	Wiring Diagram			X			X				X					X				
NS	4207-600	Wiring Diagram							X										X		
NS	4207-703	Wiring Diagram											X								X

* Replacement part will have a letter attached to the end of the part number to designate software version (Example: 8301-068-001**A**). A software upgrade of all PLCs onsite (units and controllers) should accompany any PLC replacement. Latest revisions of software, change log and instructions are available on the Bard website at <http://www.bardhvac.com/software-download/>

NS = Not Shown

CONTROL PANEL

Dwg No.	Part Number	Description	W60ABEA	W60ABEB	W60ABEC	W60ABEQ	W60ABPA	W60ABPB	W60ABPC	W60ABPE	W60ABPF	W60ABPQ
1	517X393	Control Panel Assembly	X	X	X	X	X	X	X	X	X	X
2	8201-032	Blower Relay	X	X	X	2	X	X	X	X	X	2
3	135-122	Wire Shield	X	X	X	X	X	X	X	X	X	X
5	3020-004	12" 2 Conductor Sheathed Cable	X	X	X	X	X	X	X	X	X	X
6	8201-126	3 Phase Line Monitor 50/60 Hz		X	X	X		X	X	X	X	X
7	8201-130	Alarm Relay	X	X	X	X	X	X	X	X	X	X
8	8201-164	Compressor Control Module	X	X	X	X	X	X	X	X	X	X
9	8301-057	Filter Switch w/Adjustment	X	X	X	X	X	X	X	X	X	X
10	8301-068-001*	UPC3-MULTI-TEC 2.0.0	X	X	X	X	X	X	X	X	X	X
11	8401-035	Contactor 3-Pole 25 Amp		X	X	X		X	X	X	X	X
11	8401-038	Contactor 2-Pole 40 Amp	X				X					
12	8401-042	Aux. NC Contact		X	X	X		X	X	X	X	X
13	8407-048	Transformer 208/240-24 75VA	X	X			X	X		X	X	
13	8407-050	Transformer 480/24VAC 75VA			X				X			
13	8407-066	Transformer 575/230V 2KVA				X						X
14	8607-013	Terminal Block 2 Term. 240V									X	
15	8607-017	Terminal Block 240V 2 Terminal	X	X	X	X	X	X	X	X	X	X
16	8607-037	Terminal Block 4 Position	X	X	X	X	X	X	X	X	X	X
17	8607-041	Park Terminal	X	X	X	X	X	X	X	X	X	X
18	8611-006	Ground Terminal	X	X	X	X	X	X	X	X	X	X
19	8611-140-0800	2-1/4" x 1" Cable Duct x 8"	X	X	X	X	X	X	X	X	X	X
20	8611-147	3-Pin Circuit Board Connector	X	X	X	X	X	X	X	X	X	X
21	8611-148	4-Pin Circuit Board Connector	X	X	X	X	X	X	X	X	X	X
22	8611-149	9-Pin Circuit Board Connector	X	X	X	X	X	X	X	X	X	X
23	8611-185	8-Pin Circuit Board Connector	X	X	X	X	X	X	X	X	X	X
24	8611-150	Term. Block for DIN Rail RS485	X	X	X	X	X	X	X	X	X	X
25	8611-192	Small 3-Pin Circuit Board Connector	X	X	X	X	X	X	X	X	X	X
26	910-1935	Evap. Temp. Sensor Assembly	X	X	X	X	X	X	X	X	X	X
29	8611-139-2300	1-1/2" X 1-1/2" Cable Duct X 23"	X	X	X	X	X	X	X	X	X	X
30	8552-058	Compressor Capacitor	X				X					
30	8552-026	Outdoor Motor Capacitor			X			X				
30	8552-005	Outdoor Motor Capacitor		X		X		X		X	X	X
32	8611-183	2-Pin Circuit Board Connector	X	X	X	X	X	X	X	X	X	X
NS	3000-1222	Compressor Plug/Harness Wire Assembly	X				X					
NS	3000-1230	Compressor Plug/Harness Wire Assembly		X	X	X		X	X	X	X	X
NS	8301-075	USB Micro Cable Female to Male	X	X	X	X	X	X	X	X	X	X
NS	4207-100	Wiring Diagram	X				X					
NS	4207-200	Wiring Diagram		X				X		X		
NS	4207-300	Wiring Diagram			X				X			
NS	4207-600	Wiring Diagram									X	
NS	4207-703	Wiring Diagram				X						X

* Replacement part will have a letter attached to the end of the part number to designate software version (Example: 8301-068-001A). A software upgrade of all PLCs onsite (units and controllers) should accompany any PLC replacement. Latest revisions of software, change log and instructions are available on the Bard website at <http://www.bardhvac.com/software-download/>

NS = Not Shown

This table references drawing on page 10

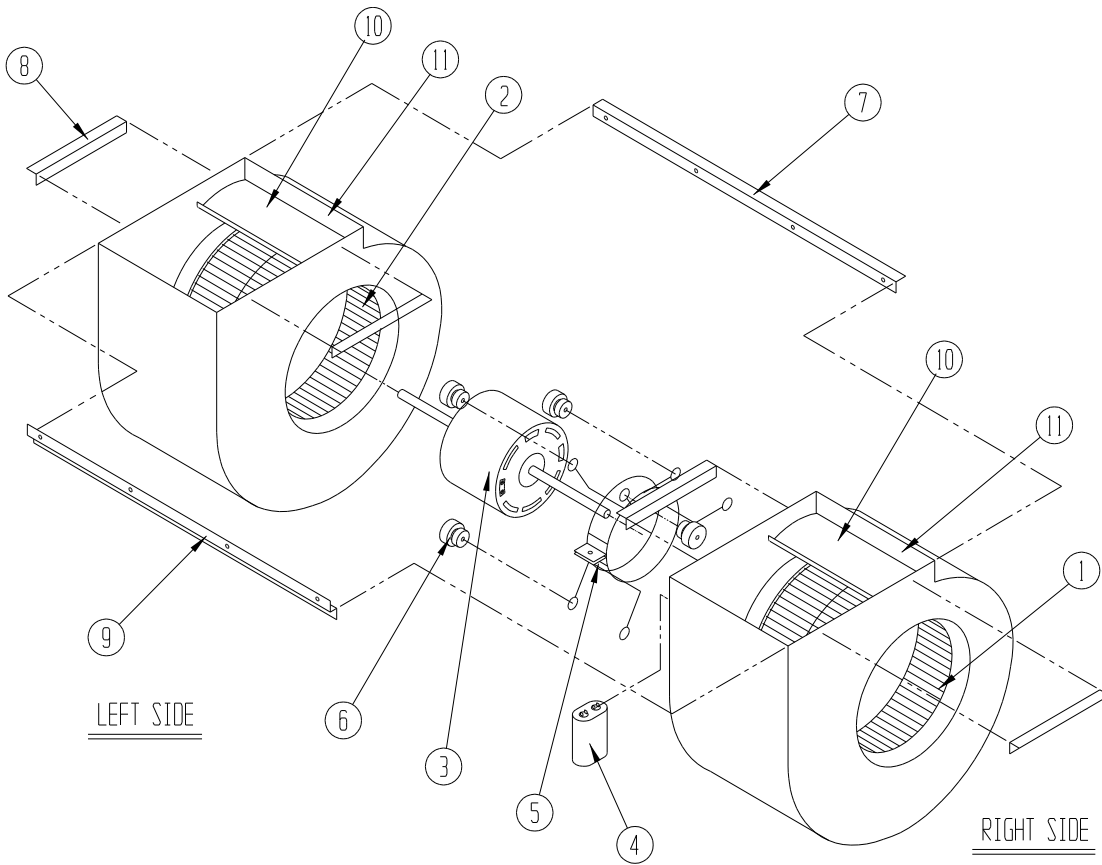
CONTROL PANEL

Dwg No.	Part Number	Description	W72ABPA	W72ABPB	W72ABPC	W72ABPF	W72ABPQ
1	517X393	Control Panel Assembly	X	X	X	X	X
2	8201-032	Blower Relay	X	X	X	X	X
3	135-122	Wire Shield	X	X	X	X	X
5	3020-004	12" 2 Conductor Sheathed Cable	X	X	X	X	X
6	8201-126	3 Phase Line Monitor 50/60 Hz		X	X	X	X
7	8201-130	Alarm Relay	X	X	X	X	X
8	8201-164	Compressor Control Module	X	X	X	X	X
9	8301-057	Filter Switch w/Adjustment	X	X	X	X	X
10	8301-068-001*	UPC3-MULTI-TEC 2.0.0	X	X	X	X	X
11	8401-035	Contactor 3-Pole 25 Amp		X	X	X	X
11	8401-038	Contactor 2-Pole 40 Amp	X				
12	8401-042	Aux. NC Contact		X	X	X	X
13	8407-048	Transformer 208/240-24 75VA	X	X		X	
13	8407-050	Transformer 480/24VAC 75VA			X		
13	8407-066	Transformer 575/230V 2KVA					X
14	8607-013	Terminal Block 2 Term. 240V				X	
15	8607-017	Terminal Block 240V 2 Terminal	X	X	X	X	X
16	8607-037	Terminal Block 4 Position	X	X	X	X	X
18	8611-006	Ground Terminal	X	X	X	X	X
19	8611-140-0800	2-1/4" x 1" Cable Duct x 8"	X	X	X	X	X
20	8611-147	3-Pin Circuit Board Connector	X	X	X	X	X
21	8611-148	4-Pin Circuit Board Connector	X	X	X	X	X
22	8611-149	9-Pin Circuit Board Connector	X	X	X	X	X
23	8611-185	8-Pin Circuit Board Connector	X	X	X	X	X
24	8611-150	Term. Block for DIN Rail RS485	X	X	X	X	X
25	8611-192	Small 3-Pin Circuit Board Connector	X	X	X	X	X
26	910-1935	Evap. Temp. Sensor Assembly	X	X	X	X	X
29	8611-139-2300	1-1/2" X 1-1/2" Cable Duct X 23"	X	X	X	X	X
30	8552-097	Compressor Capacitor	X				
30	8552-004	Outdoor Motor Capacitor		X		X	X
30	8552-005	Outdoor Motor Capacitor			X		
32	8611-183	2-Pin Circuit Board Connector	X	X	X	X	X
NS	8201-032	Fan Relay					X
NS	3000-1510	Compressor Plug/Harness Wire Assembly	X				
NS	3000-1511	Compressor Plug/Harness Wire Assembly		X	X	X	X
NS	3000-1512	Motor Power Harness	X	X	X	X	X
NS	3000-1513	Motor Control Harness	X	X	X	X	X
NS	8301-075	USB Micro Cable Female to Male	X	X	X	X	X
NS	4207-101	Wiring Diagram	X				
NS	4207-201	Wiring Diagram		X			
NS	4207-301	Wiring Diagram			X		
NS	4207-601	Wiring Diagram				X	
NS	4207-704	Wiring Diagram					X

* Replacement part will have a letter attached to the end of the part number to designate software version (Example: 8301-068-001**A**). A software upgrade of all PLCs onsite (units and controllers) should accompany any PLC replacement. Latest revisions of software, change log and instructions are available on the Bard website at <http://www.bardhvac.com/software-download/>

NS = Not Shown

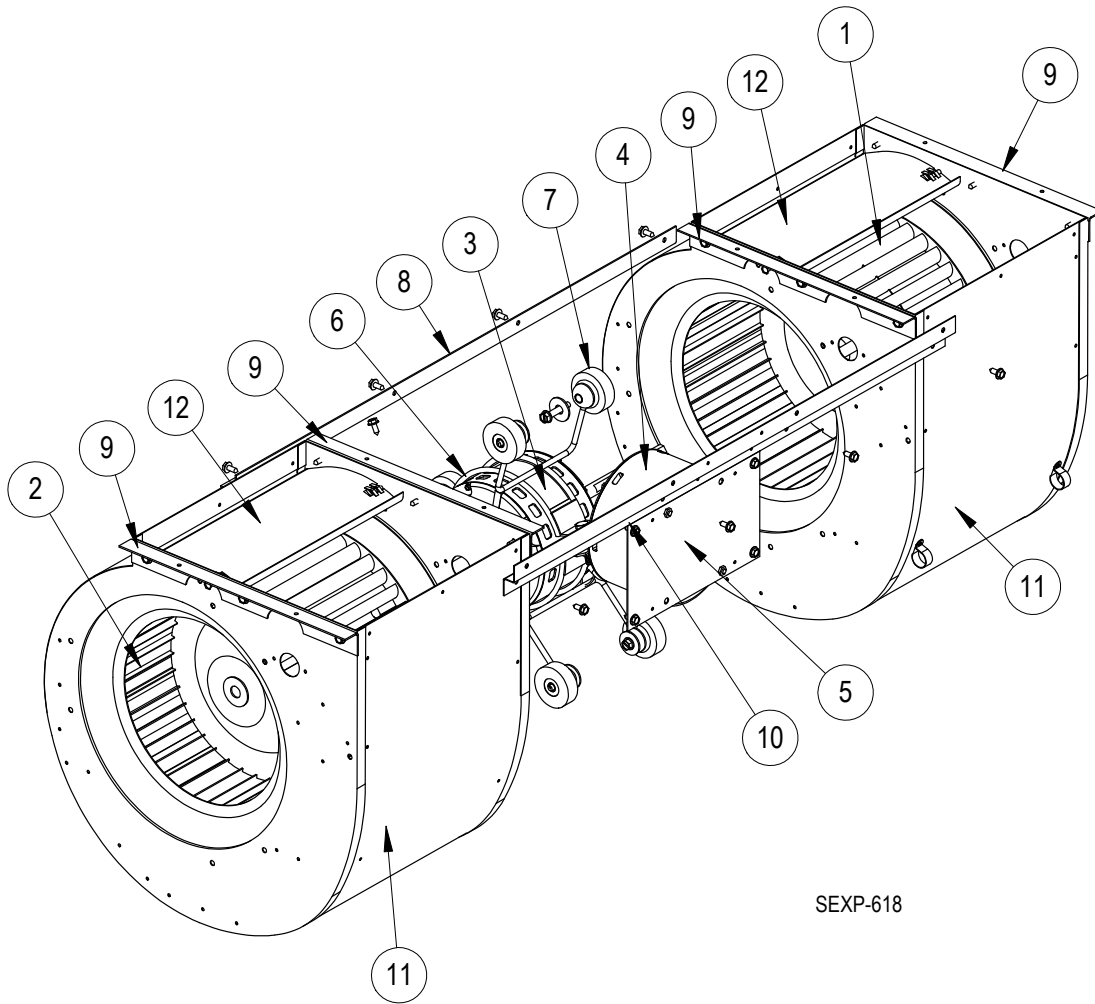
BLOWER ASSEMBLY



SEXP-178

Dwg No.	Part Number	Description	S900-320	S900-321	S900-185	S900-186
1	5152-011	10 Inch Wheel (CW)	X	X	X	X
1	5152-057	9 Inch Wheel (CW)	X	X		
2	5152-012	10 Inch Wheel (CW)	X	X	X	X
2	5152-058	9 Inch Wheel (CW)	X	X		
3	8105-061	Blower Motor (230/208)	X			
3	8105-062	Blower Motor (460)		X		
3	8106-046	Blower Motor (230/208)			X	
3	8106-025	Blower Motor (460)				X
4	8552-091	Capacitor	X	X	X	
4	8552-005	Capacitor				X
5	8200-040	Motor Mount	X	X	X	X
6	5451-011	Grommets	6	6	6	6
7	105-881	Back Brace	X	X	X	X
8	105-880	Side Angle	4	4	4	4
9	103-389	Front Brace	X	X	X	X
10	151-101	Housing	2	2	2	2
11	144-166	Diffuser	2	2	2	2

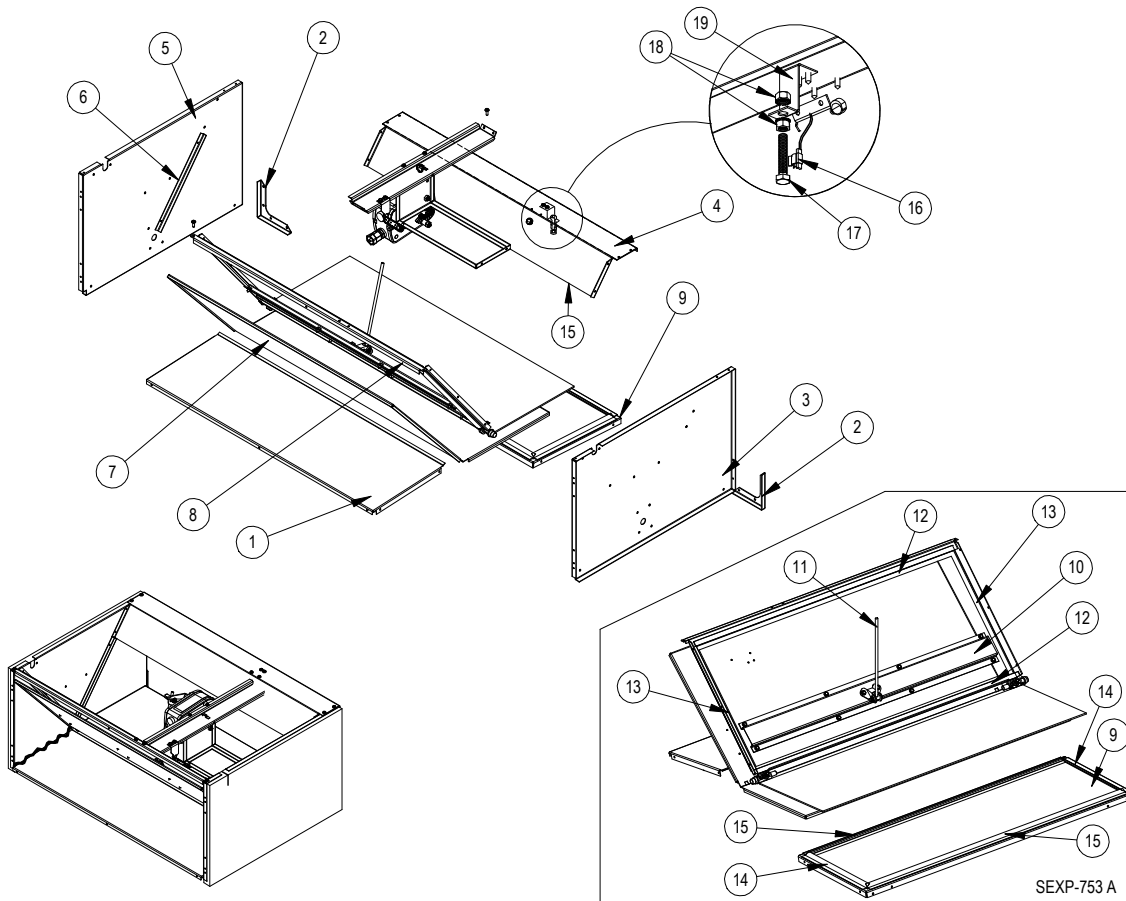
BLOWER ASSEMBLY



SEXP-618

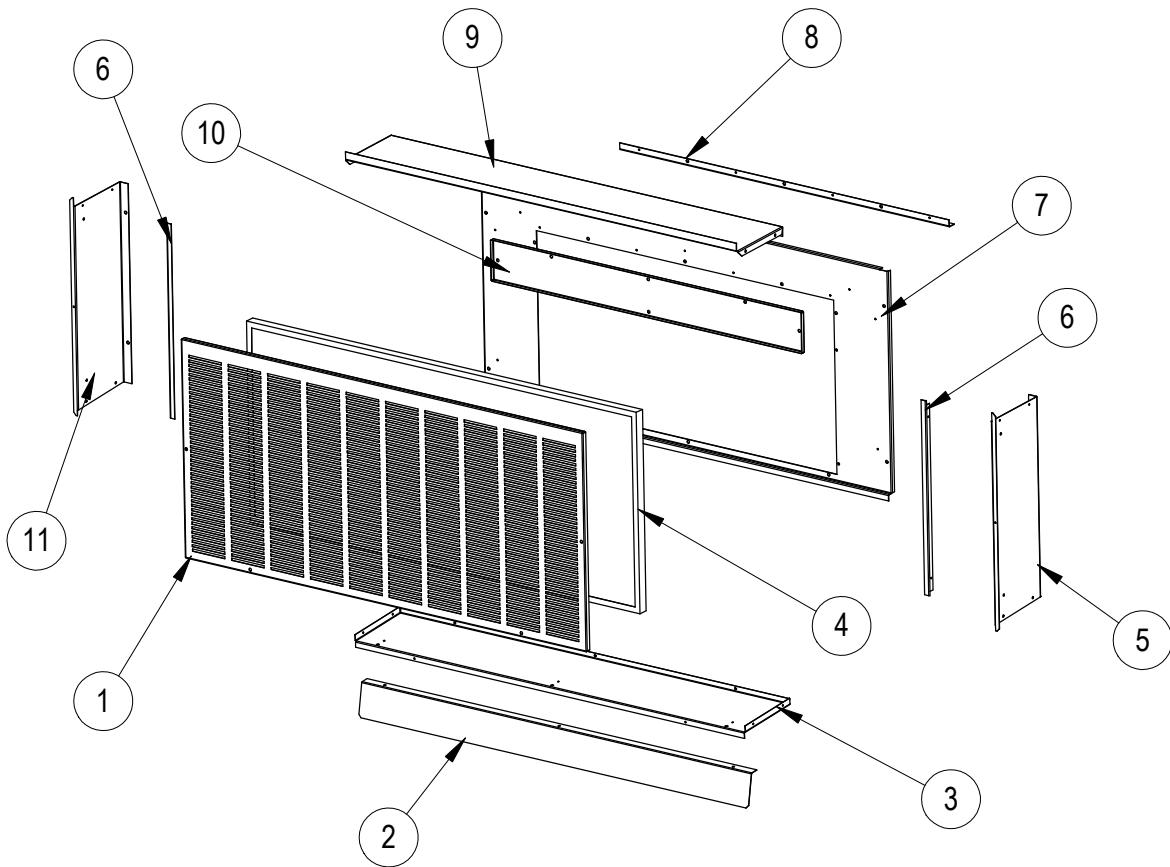
Dwg. No.	Part Number	Description	S900-348-001	S900-349-001
1	5152-011	10-Inch Wheel (CW)	X	X
2	5152-012	10-Inch Wheel (CCW)	X	X
3	8107-019-0135	3/4 HP Programmed Motor w/Control	X	
3	8107-026-0136	3/4 HP Programmed Motor w/Control		X
5	112-580	Blower Motor Control Bracket	X	X
6	8200-040	Motor Mount	X	X
7	5451-011	Grommets	6	6
8	105-881	Back Brace	X	X
9	105-880	Side Angle	4	4
10	103-389	Front Brace	X	X
11	151-101	Housing	2	2
12	144-166	Diffuser	2	2

FREECOOLING COMPONENTS



Dwg No.	Part Number	Description
1	137-734	Lower Front Partition
2	113-526	Corner Bracket
3	S101X981	Right Side
4	S137-871	Upper Rear Partition
5	S101Y981	Left Side
6	S105-1341	Blade Seal Angle
7	S139-323	Blade
8	S137-870	Upper Front Partition
9	S137-736	Lower Rear Partition
10	141-426	Blade Support
11	8602-077	1/4 x 9" Rod
12	S1921-067-2909	29-9/16" Damper Blade Seal
13	S1921-067-1206	12-3/8" Damper Blade Seal
14	S1921-067-1011	10-11/16" Damper Blade Seal
15	S1921-067-2906	29-3/8" Damper Blade Seal
16	8408-044	Sensor 10K Ohm Curve J w/ 5/16" Clip
17	1012-052	Hex Head Bolt 5/16 - 18x1-3/4" 0.0005 Zinc w/ Yellow Chromate
18	1012-210	5/16" Nut 0.0005 Zinc w/ Yellow Chromate
19	113-541	Sensor Bracket

FREECOOLING AIR HOOD



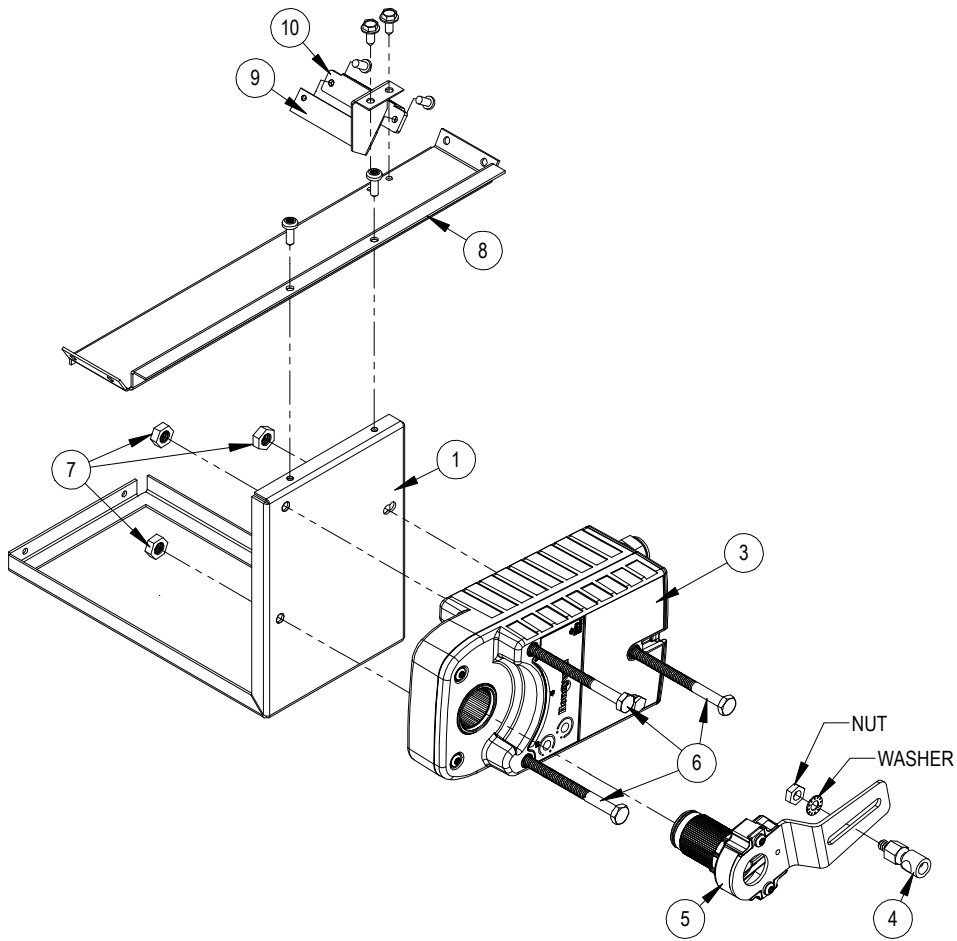
SEXP-752

Dwg. No.	Part Number	Description
1	115-283-* ①	Hooded Front Door
2	113-484-* ①	Bottom Divider Bracket
3	S127-489-* ①	Hood Bottom
4	7003-062	Mist Filter 40-1/4" x 17-7/8" x 7/8"
5	S101-870-* ①	Right Side
6	105-1342	Side Filter Angle
7	553-600-* ①	Hood Mounting Door
8	105-1343	Filter Door Angle
9	S107-344-* ①	Hood Top
10	553-596	Filter Door
11	S101-860-* ①	Left Side
	S920-0232	Complete Hood Assembly – Beige
	S920-0233	Complete Hood Assembly – White
	S920-0234	Complete Hood Assembly – Gray

① Exterior cabinet parts are manufactured with various paint color options. To ensure the proper paint color is received, reference the following codes:

Beige	-X	Buckeye Gray	-4
White	-1		

FREECOOLING DAMPER MOTOR



SEXP-879

Dwg. No.	Part Number	Description
1	141-467	Actuator Support Plate
3	8602-067	Direct Coupled Actuator
4	8602-008	Ball Joints
5	8602-068	Crank Arm
6	1012-174	1/4" - 20x3 - 1/4 Hex Cap Screws
7	1012-201	1/4-20 Steel Keps Hex Nut Zinc
8	141-468	Actuator Support Bar
9	113-655	Blade Switch Bracket
10	8406-150	Lever Switch SPDT Sealed Pilot Duty
NS	910-2014	Outdoor Temperature Sensor