

---

# REPLACEMENT PARTS MANUAL

---

## WALL MOUNTED PACKAGED AIR CONDITIONER

Models:

W36AAMA W36AAMB W36AAMC

---

### Contents

<b>Description</b>	<b>Page</b>
Cabinet Components	
♦ Exploded View .....	2
♦ Usage List .....	3
Functional Components	
♦ Exploded View .....	4
♦ Usage List .....	5
Control Panel	
♦ Layout View .....	6
♦ Usage List .....	7
Blower Assembly	
♦ Exploded View .....	8
♦ Usage List .....	8

### General Notes

- Revised and/or additional pages may be issued from time to time.
- A complete and current manual consists of pages shown in the following contents section.

### Important

- Contact the installing and/or local Bard distributor for all parts requirements. Make sure to have the complete model and serial number available from the unit rating plates.



*Climate Control Solutions*

Bard Manufacturing Company, Inc.  
Bryan, Ohio 43506  
[www.bardhvac.com](http://www.bardhvac.com)

Manual: 2110-1444B  
Supersedes: 2110-1444A  
Date: 4-16-19

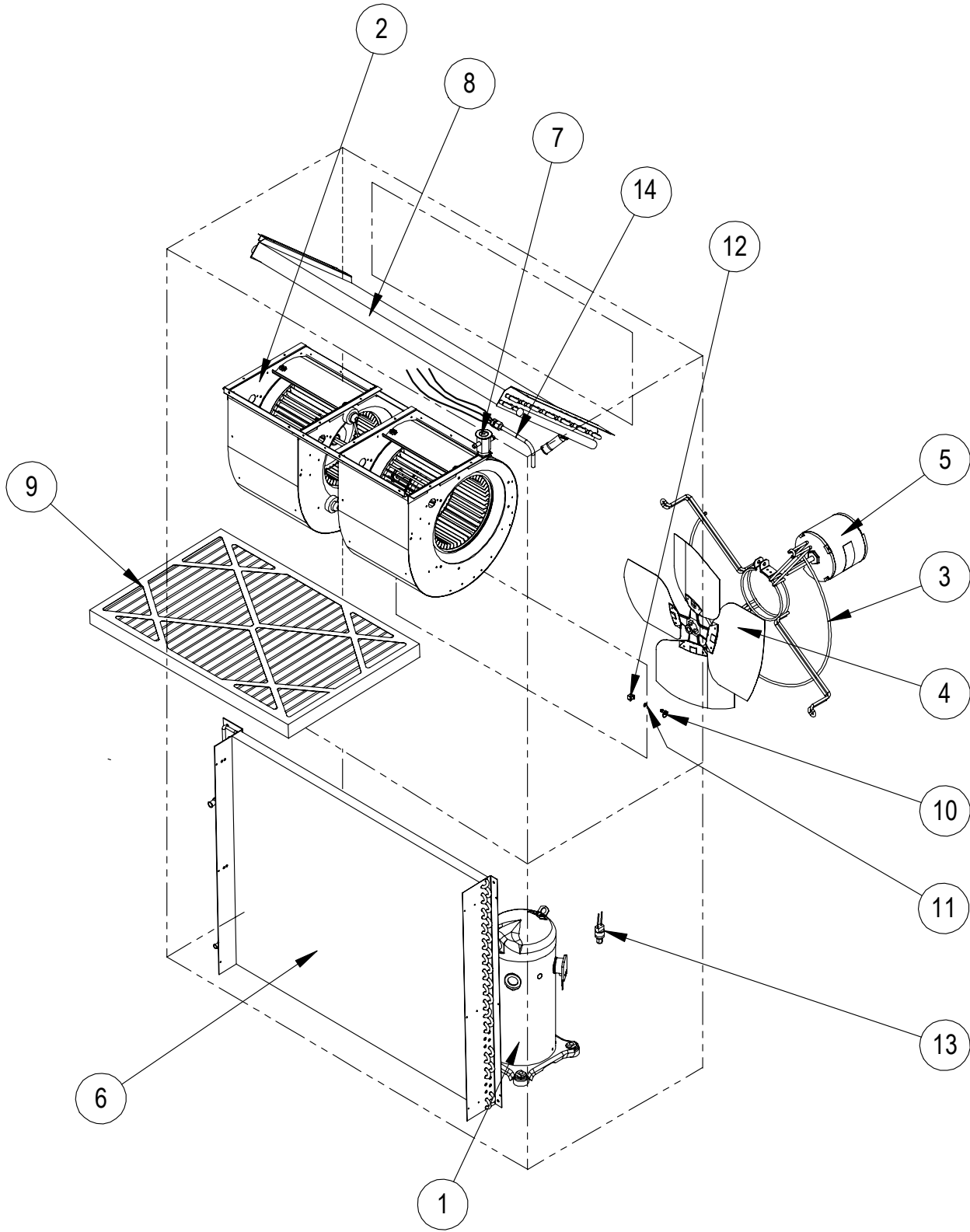


# CABINET COMPONENTS

Dwg No.	Part Number	Description	W36AAMA	W36AAMB	W36AAMC
1	S127-523	Lower Base	X	X	X
1	S127-528 ②	Lower Base	X	X	X
2	125-081	Fan Shroud	X	X	X
2	125-083 ②	Fan Shroud	X	X	X
3	S501-977-* ①	Right Side	X	X	X
3	S501-994 ②	Right Side	X	X	X
3	S501-937 ③	Right Side	X	X	X
4	S501-934-* ①	Left Side	X	X	X
4	S501-995 ②	Left Side	X	X	X
4	S501-940 ③	Left Side	X	X	X
5	S533-228 ①	Control Panel Cover (Outer)	X	X	X
5	S533-235 ②	Control Panel Cover (Outer)	X	X	X
5	S533-236 ③	Control Panel Cover (Outer)	X	X	X
6	S521X527	Condenser Partition	X	X	X
6	S521-552 ②	Condenser Partition	X	X	X
8	121X467	Blower Partition	X	X	X
9	S507-308-* ①	Top	X	X	X
9	S507-319 ②	Top	X	X	X
9	S507-320 ③	Top	X	X	X
10	S111X030	Outlet Air Frame Assembly	X	X	X
11	S508-343	Back	X	X	X
11	S508-388 ②	Back	X	X	X
11	S508-345 ③	Back	X	X	X
12	113X480	Filter Bracket	2	2	2
13	S132-104	Control Panel Cover (Inner)	X	X	
13	S132-172	Control Panel Cover (Inner)			X
14	118-124-* ①	Side Grille	2	2	2
14	118-140 ②	Side Grille	2	2	2
14	118-139 ③	Side Grille	2	2	2
15	118-103-* ①	Condenser Grille	X	X	X
15	118-108 ②	Condenser Grille	X	X	X
15	118-113 ③	Condenser Grille	X	X	X
16	BFAD-3	Fresh Air Damper Assembly	X	X	X
17	S553-523-* ①	Vent Option Door	X	X	X
17	S553-540 ①	Vent Option Door with ERV	X	X	X
17	S553-549 ②	Vent Option Door	X	X	X
17	S553-557 ②	Vent Option Door with ERV	X	X	X
17	S553-550 ③	Vent Option Door	X	X	X
17	S553-558 ③	Vent Option Door with ERV	X	X	X
18	S514-241-* ①	Upper Front	X	X	X
18	S514-238 ②	Upper Front	X	X	X
18	S514-239 ③	Upper Front	X	X	X
19	105X850	Side Support	X	X	X
20	S543-175-* ①	Right Side Cover Plate (Outer)	X	X	X
20	S543-185 ②	Right Side Cover Plate (Outer)	X	X	X
20	S543-184 ③	Right Side Cover Plate (Outer)	X	X	X
21	S123-127	Drain Pan	X	X	X
21	S123-141 ②③	Drain Pan	X	X	X
22	147-044	Evaporator Support	X	X	X
23	137-722	Bottom Evaporator Fill	X	X	X
24	Control Panel Assembly	See Control Panel Assy. Drawing & Parts List Assy.	X	X	X
25	113-140	Bottom Mounting Bracket	X	X	X
26	135X123	Heat Shield	X	X	X
27	S153-218 ①	Disconnect Access Door	X	X	X
27	S153-405 ②	Disconnect Access Door	X	X	X
27	S153-387 ③	Disconnect Access Door	X	X	X
28	137-259	Fill Plate	X	X	X
29	113-149-* ①	Top Rain Flashing	X	X	X
29	113-360 ②	Top Rain Flashing	X	X	X
29	113-149-4 ③	Top Rain Flashing	X	X	X
30	S553-524-* ①	Filter Door	X	X	X
30	S553-553 ②	Filter Door	X	X	X
30	S553-554 ③	Filter Door	X	X	X
31	S536-498	Cond. Partition Block Off Plate	X	X	X
31	S536-877 ②	Cond. Partition Block Off Plate	X	X	X
32	105-1302	Grommet Retainer	X	X	X
33	135-329	Air Baffle	X	X	X
34	105-1393	Close Off Angle	X	X	X

- ① Exterior cabinet parts are manufactured with various paint color options. To ensure the proper paint color is received, include the complete model and serial number of the unit for which cabinet parts are being ordered.
- ② Exterior cabinet parts are manufactured from stainless steel Code "S"
- ③ Exterior cabinet parts are manufactured from aluminum Code "A"

# FUNCTIONAL COMPONENTS



SEXP-177 A

# FUNCTIONAL COMPONENTS

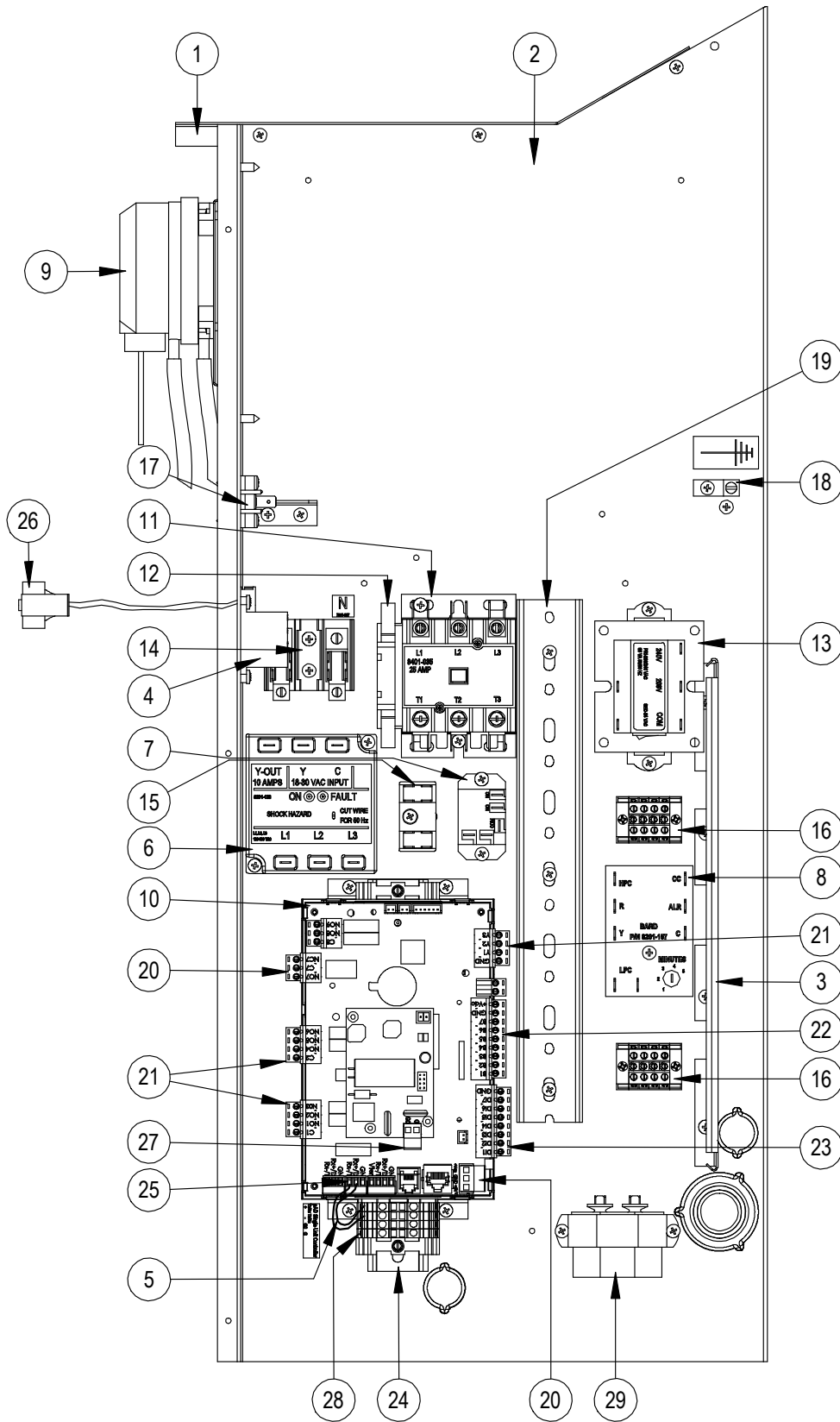
Dwg No.	Part Number	Description	W36AAMA	W36AAMB	W36AAMC
1	8000-309	Compressor	X		
1	8000-310	Compressor		X	
1	8000-311	Compressor			X
2	S900-231	Blower Assembly	X	X	
2	S900-232	Blower Assembly			X
3	8200-001	Fan Motor Mount	X	X	X
3	8200-050 ①	Stainless Steel Fan Motor Mount	X	X	X
4	S5151-045	Fan Blade	X	X	X
4	5151C045 ①	Coated Fan Blade	X	X	X
5	S8103-013	Condenser Motor	X	X	
5	8103-020	Condenser Motor			X
6	5051-202BX	Condenser Coil	X	X	X
6	5054-202BX	Condenser Coil - Coated	X	X	X
7	5651-203	Expansion Valve	X	X	X
8	917-0263BX	Evaporator Coil w/Distributor Assy.	X	X	X
8	917-0288BX	Evaporator Coil - Coated w/Distributor Assy.	X	X	X
9	7004-019	Air Filter 1" Throw-Away (16x30x1)	X	X	X
9	7003-031	Air Filter 1" Washable ② (16x30x1)	X	X	X
9	7004-026	Air Filter 2" Pleated ② (16x30x2)	X	X	X
10	1171-022	1/4" Turn Fastener	X	X	X
11	1171-024	1/4" Turn Retainer	X	X	X
12	1171-023	1/4" Receptacle	X	X	X
13	8406-142	High Pressure Switch (Flare)	X	X	X
NS	8406-140	Low Pressure Switch (Flare)	X	X	X
14	800-0460	Distributor Assembly	X	X	X
NS	CMA-28	Low Ambient Control (Flare) ②	X	X	X
NS	5201-021	Filter Drier	X	X	X
NS	5650-051	Dehumidification Valve	X	X	X
NS	5651-219	Check Valve	X	X	X
NS	5451-024	Tubing Isolation Grommet	2	2	2
NS	6031-009	Coremax Valve Core	2	2	2
NS	1171-028	Filter Door Clip	2	2	2
NS	1171-057	Filter Door Screw	2	2	2
NS	1171-027	Filter Door Screw Retainer	2	2	2
NS	5650-037	Reheat Valve Wire Harness	X	X	X
NS	5650-046	Reheat Valve Solenoid	X	X	X

NS – Not Shown

① – Used with stainless steel cabinet option

② – Optional on these models

# CONTROL PANEL



SEXP-880

# CONTROL PANEL

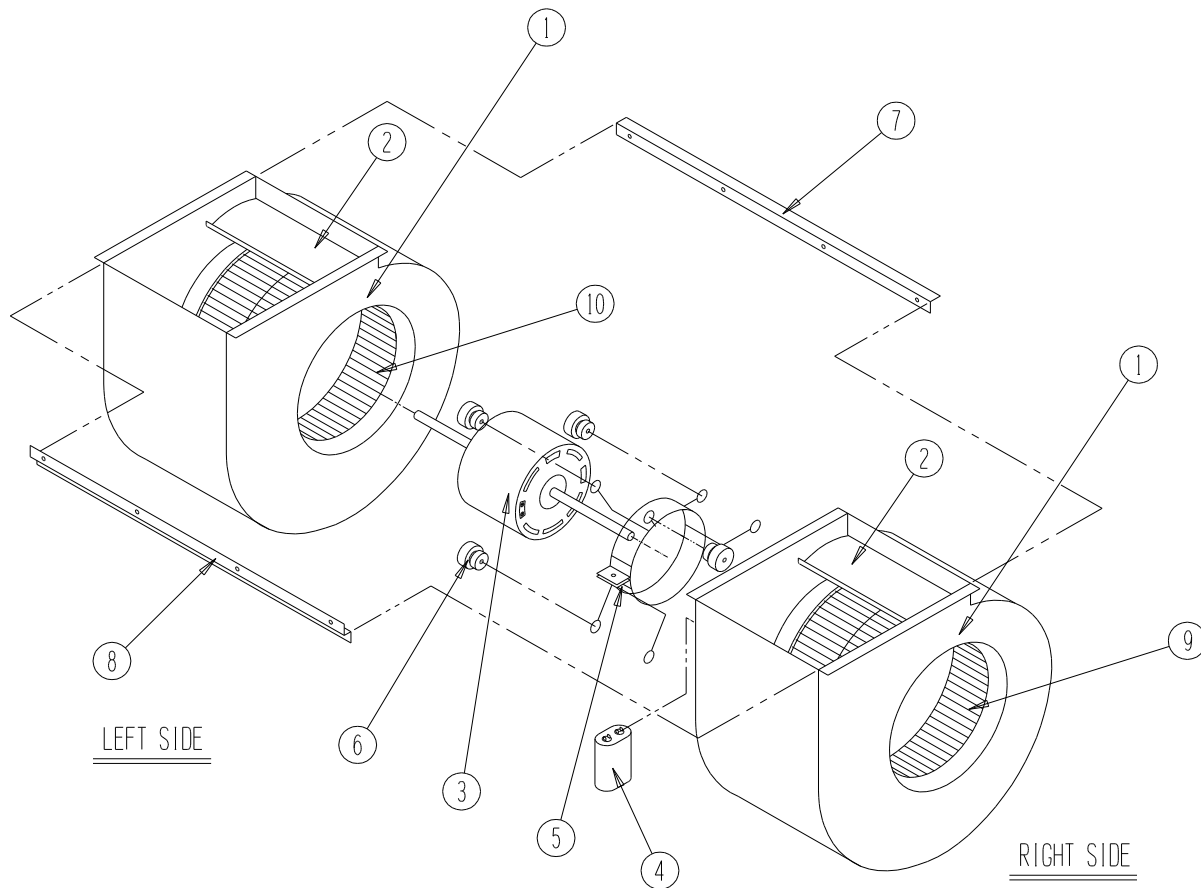
Dwg No.	Part Number	Description	W36AAMA	W36AAMB	W36AAMC
1	117X137	Control Panel Top	X	X	X
2	117X395	Control Panel	X	X	X
3	135-122	Wire Shield	X	X	X
4	8201-130	Blower Relay	X	X	X
5	3020-004	Communications Sheathed Cable	X	X	X
6	8201-126	3 Phase Line Monitor 50/60 Hz		X	X
7	8201-130	Alarm Relay	X	X	X
8	8201-157	Compressor Control Module	X	X	X
9	8301-057	Filter Switch w/Adjustment	X	X	X
10	8301-068-001*	UPC3-MULTI-TEC 2.0.0	X	X	X
11	8401-035	Contactors 3-Pole 25 Amp		X	X
11	8401-038	Contactors 2-Pole 40 Amp	X		
12	8401-039	Aux. NC Contact		X	X
13	8407-065	Transformer 208/240-24 75VA	X		X
13	8407-050	Transformer 480/24VAC 75VA		X	
15	8607-017	Terminal Block 240V 2 Terminal	X	X	X
16	8607-037	Terminal Block 4 Position	X	X	X
17	8607-041	Park Terminal	X	X	X
18	8611-006	Ground Terminal	X	X	X
19	8611-140-1200	2-1/4" x 1" Cable Duct x 12"	X	X	X
20	8611-147	3-Pin Circuit Board Connector	X	X	X
21	8611-148	4-Pin Circuit Board Connector	X	X	X
22	8611-149	9-Pin Circuit Board Connector	X	X	X
23	8611-185	8-Pin Circuit Board Connector	X	X	X
24	8611-189	35MM DIN Rail 9"	X	X	X
25	8611-192	Small 3-Pin Circuit Board Connector	X	X	X
26	910-1935	Evap. Temp. Sensor Assembly	X	X	X
27	8611-183	2-Pin Circuit Board Connector	X	X	X
28	8611-150	DIN Rail Terminal Block	X	X	X
29	8552-052	Compressor Capacitor	X		
29	8552-002	Outdoor Motor Capacitor		X	X
NS	3000-1224	Compressor Plug/Harness	X		
NS	3000-1231	Compressor Plug/Harness		X	X
NS	8615-038	Circuit Breaker 35A 2 Pole (Opt.) ①	X		
NS	8615-052	Circuit Breaker 30A 3 Pole (Opt.) ①		X	
NS	8615-067	Toggle Disconnect (Opt.) ①			X
NS	8301-066	Discharge Air Sensor	X	X	X
NS	8408-044	Return Air Sensor	X	X	X
NS	4207-103	Wiring Diagram	X		
NS	4207-203	Wiring Diagram		X	
NS	4207-303	Wiring Diagram			X
NS	8301-075	USB Micro Cable Female to Male	X	X	X

\* Replacement part will have a letter attached to the end of the part number to designate software version (Example: 8301-068-001**A**). A software upgrade of all PLCs onsite (units and controllers) should accompany any PLC replacement. Latest revisions of software, change log and instructions are available on the Bard website at <http://www.bardhvac.com/software-download/>

① Circuit breakers listed are for units without electric heat, "OZ" models. Hot gas bypass models not available without electric heat. See heater replacement parts manual for units with electric heat.

NS = Not Shown

# BLOWER ASSEMBLY



SEXP-346

Dwg No.	Part Number	Description	S900-231	S900-232
1	151-111	Housing	2	2
2	144-174	Diffuser	2	2
3	8105-029	Blower Motor (230/208)	X	
3	8105-033	Blower Motor (460)		X
4	8552-002	Capacitor	X	X
5	8200-031	Motor Mount	X	X
6	5451-011	Grommets	6	6
7	105-870	Back Brace	X	X
8	103-401	Front Brace	X	X
9	5152-090	Wheel CW	X	X
10	5152-091	Wheel CCW	X	X