

---

# REPLACEMENT PARTS MANUAL

---

## WALL MOUNTED PACKAGE AIR CONDITIONER

Models:

W48AAMA W60ABMA W72ABMA  
W48AAMB W60ABMB W72ABMB  
W48AAMC W60ABMC W72ABMC

---

### Contents

<u>Description</u>	<u>Page</u>
Cabinet Components	
♦ Exploded View .....	2
♦ Usage List .....	3
♦ Usage List .....	4
Functional Components	
♦ Exploded View .....	6
♦ Usage List .....	7
♦ Usage List .....	8
Control Panel	
♦ Layout View .....	10
♦ Usage List .....	11
♦ Usage List .....	12
♦ Usage List .....	13
Blower Assembly	
♦ Exploded View .....	14
♦ Usage List .....	14
♦ Exploded View .....	15
♦ Usage List .....	15

### General Notes

- Revised and/or additional pages may be issued from time to time.
- A complete and current manual consists of pages shown in the following contents section.

### Important

- Contact the installing and/or local Bard distributor for all parts requirements. Make sure to have the complete model and serial number available from the unit rating plates.

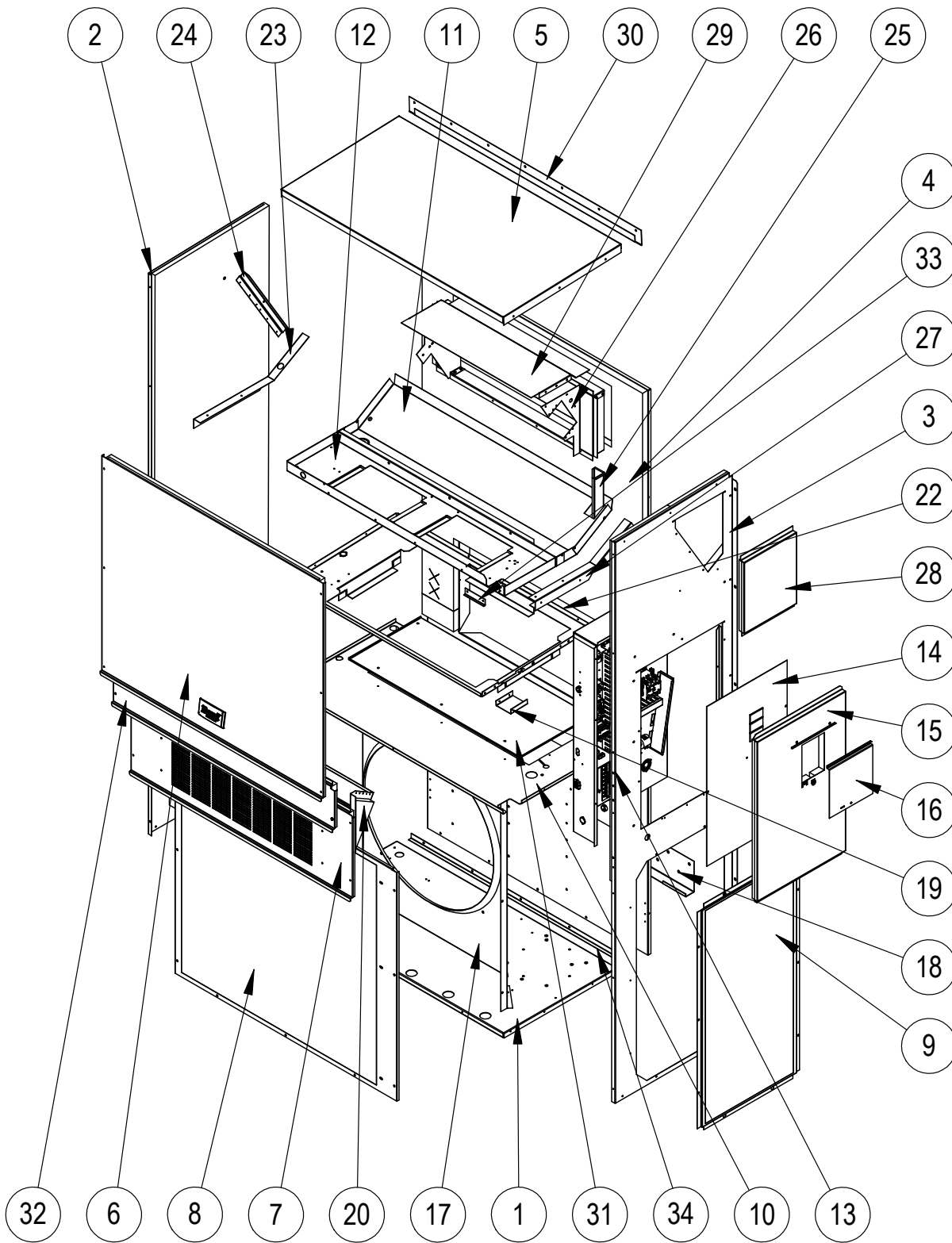


*Climate Control Solutions*

Bard Manufacturing Company, Inc.  
Bryan, Ohio 43506  
www.bardhvac.com

Manual: 2110-1445C  
Supersedes: 2110-1445B  
Date: 10-11-18

# CABINET COMPONENTS



This drawing is referenced in tables on pages 3 and 4

SEXP-792

# CABINET COMPONENTS

Dwg No.	Part Number	Description	W48AAMA	W48AAMB	W48AAMC
1	S127-425	Lower Base	X	X	X
1	S127-541 ③	Lower Base	X	X	X
2	S501-686-* ①	Left Side	X	X	X
2	S501-699 ②	Left Side	X	X	X
2	S501-1004 ③	Left Side	X	X	X
3	S501-840-* ①	Right Side	X	X	X
3	S501-924 ②	Right Side	X	X	X
3	S501-1003 ③	Right Side	X	X	X
4	S508-098	Back	X	X	X
4	S508-275 ②	Back	X	X	X
4	S508-395 ③	Back	X	X	X
5	S507-307-* ①	Top	X	X	X
5	S507-309 ②	Top	X	X	X
5	S507-310 ③	Top	X	X	X
6	S515-230-* ①	Upper Front	X	X	X
6	S514-231 ②	Upper Front	X	X	X
6	S514-232 ③	Upper Front	X	X	X
7	S553-522-* ①	Vent Option Door	X	X	X
7	S553-529-* ①	Vent Option Door with ERV	X	X	X
7	S553-525 ②	Vent Option Door	X	X	X
7	S553-527 ③	Vent Option Door	X	X	X
8	118-048-* ①	Condenser Grille	X	X	X
8	118-064 ②	Condenser Grille	X	X	X
8	118-072 ③	Condenser Grille	X	X	X
9	118-057-* ①	Side Grille	2	2	2
9	118-063 ②	Side Grille	2	2	2
9	118-073 ③	Side Grille	2	2	2
10	S521X503	Condenser Partition	X	X	X
10	S521-559 ③	Condenser Partition	X	X	X
11	S123-122	Drain Pan	X	X	X
11	S123-125 ②③	Drain Pan	X	X	X
12	121X463	Blower Partition	X	X	X
13	Control Panel Assy.	See Control Panel Assy. Drawing & Parts List	X	X	X
14	S132-277	Control Panel Cover (Inner)	X	X	
14	S132-278	Control Panel Cover (Inner)			X
15	S533-279-* ①	Control Panel Cover (Outer)	X	X	X
15	S533-273 ②	Control Panel Cover (Outer)	X	X	X
15	S533-274 ③	Control Panel Cover (Outer)	X	X	X
16	S153-218-* ①	Disconnect Access Door	X	X	X
16	S153-387 ②	Disconnect Access Door	X	X	X
16	S153-405 ③	Disconnect Access Door	X	X	X
17	125-024	Fan Shroud	X	X	X
17	125-058 ③	Fan Shroud	X	X	X
18	113-140	Bottom Mounting Bracket	X	X	X
19	137-209	Fill	X	X	X
20	BFAD-5	Fresh Air Damper Assembly	X	X	X
22	131X099	Filter Tray	X	X	X
23	105X877	Left Side Support	X	X	X
24	147-046	Left Evaporator Support	X	X	X
25	135-377	Raceway	2	2	2
26	S111X034	Outlet Air Frame Assembly	X	X	X
27	105X878	Right Side Support	X	X	X
28	S543-172-* ①	Right Side Cover Plate (Outer)	X	X	X
28	S543-176 ②	Right Side Cover Plate (Outer)	X	X	X
28	S543-177 ③	Right Side Cover Plate (Outer)	X	X	X
29	135-129	Heat Shield	X	X	X
30	113-150-* ①	Top Rain Flashing	X	X	X
30	113-359 ③	Top Rain Flashing	X	X	X
31	S536-804	Cond. Partition Block Off Plate	X	X	X
31	S536-881 ③	Cond. Partition Block Off Plate	X	X	X
32	S553-521-* ①	Filter Door Assembly	X	X	X
32	S553-526 ②	Filter Door Assembly	X	X	X
32	S553-528 ③	Filter Door Assembly	X	X	X
33	105-1302	Grommet Retainer	X	X	X
34	105-1324	Close Off Angle	X	X	X

- ① Exterior cabinet parts are manufactured with various paint color options. To ensure the proper paint color is received, please reference the following codes: Beige -X, White -1, Buckeye Gray -4, Desert Brown -5, Dark Bronze -8
- ② Exterior cabinet parts are manufactured from aluminum Code "A"
- ③ Exterior cabinet parts are manufactured from stainless steel Code "S"

# CABINET COMPONENTS

Dwg No.	Part Number	Description	W60ABMA	W60ABMB	W60ABDC	W72ABMA	W72ABMB	W72ABMC
1	127-425	Lower Base	X	X	X	X	X	X
1	127-541 ③	Lower Base	X	X	X	X	X	X
2	S501-733-* ①	Left Side	X	X	X	X	X	X
2	S501-828 ②	Left Side	X	X	X	X	X	X
2	S501-1010 ③	Left Side	X	X	X	X	X	X
3	S501-841-* ①	Right Side	X	X	X	X	X	X
3	S501-928 ②	Right Side	X	X	X	X	X	X
3	S501-1011 ③	Right Side	X	X	X	X	X	X
4	S508-251	Back	X	X	X	X	X	X
4	S508-252 ②	Back	X	X	X	X	X	X
4	S508-396 ③	Back	X	X	X	X	X	X
5	S507-307-* ①	Top	X	X	X	X	X	X
5	S507-309 ②	Top	X	X	X	X	X	X
5	S507-310 ③	Top	X	X	X	X	X	X
6	S515-246-* ①	Upper Front	X	X	X	X	X	X
6	S514-280 ②	Upper Front	X	X	X	X	X	X
6	S514-253 ③	Upper Front	X	X	X	X	X	X
7	S553-522-* ①	Vent Option Door	X	X	X	X	X	X
7	S553-529-* ①	Vent Option Door with ERV	X	X	X	X	X	X
7	S553-525 ②	Vent Option Door	X	X	X	X	X	X
7	S553-527 ③	Vent Option Door	X	X	X	X	X	X
8	118-085-* ①	Condenser Grille	X	X	X	X	X	X
8	118-087 ②	Condenser Grille	X	X	X	X	X	X
8	118-089 ③	Condenser Grille	X	X	X	X	X	X
9	118-086-* ①	Side Grille	2	2	2	2	2	2
9	118-088 ②	Side Grille	2	2	2	2	2	2
9	118-090 ③	Side Grille	2	2	2	2	2	2
10	S521X503	Condenser Partition	X	X	X	X	X	X
10	S521-559 ③	Condenser Partition	X	X	X	X	X	X
11	S123-122	Drain Pan	X	X	X	X	X	X
11	S123-125 ②③	Drain Pan	X	X	X	X	X	X
12	121X463	Blower Partition	X	X	X	X	X	X
13	Control Panel Assy.	See Control Panel Assy. Drawing & Parts List	X	X	X	X	X	X
14	S132-277	Control Panel Cover (Inner)	X	X		X	X	
14	S132-278	Control Panel Cover (Inner)			X			X
15	S533-279-* ①	Control Panel Cover (Outer)	X	X	X	X	X	X
15	S533-273 ②	Control Panel Cover (Outer)	X	X	X	X	X	X
15	S533-274 ③	Control Panel Cover (Outer)	X	X	X	X	X	X
16	S153-218-* ①	Disconnect Access Door	X	X	X	X	X	X
16	S153-387 ②	Disconnect Access Door	X	X	X	X	X	X
16	S153-405 ③	Disconnect Access Door	X	X	X	X	X	X
17	125-070	Fan Shroud	X	X	X			
17	125-079 ③	Fan Shroud	X	X		X	X	X
17	125-084	Fan Shroud				X	X	X
18	113-140	Bottom Mounting Bracket	X	X	X	X	X	X
19	137-209	Fill	X	X	X	X	X	X
20	BFAD-5	Fresh Air Damper Assembly	X	X	X	X	X	X
22	131X099	Filter Tray	X	X	X	X	X	X
23	105X877	Left Side Support	X	X	X	X	X	X
24	147-046	Left Evaporator Support	X	X	X	X	X	X
25	135-377	Raceway	2	2	2	2	2	2
26	S111X034	Outlet Air Frame Assembly	X	X	X	X	X	X
27	105X878	Right Side Support	X	X	X	X	X	X
28	S543-172-* ①	Right Side Cover Plate (Outer)	X	X	X	X	X	X
28	S543-176 ②	Right Side Cover Plate (Outer)	X	X	X	X	X	X
28	S543-177 ③	Right Side Cover Plate (Outer)	X	X	X	X	X	X
29	135-129	Heat Shield	X	X	X	X	X	X
30	113-150-* ①	Top Rain Flashing	X	X	X	X	X	X
30	113-359 ③	Top Rain Flashing	X	X	X	X	X	X
31	S536-804	Cond. Partition Block Off Plate	X	X	X	X	X	X
31	S536-881 ③	Cond. Partition Block Off Plate	X	X	X	X	X	X
32	S553-521-* ①	Filter Door Assembly	X	X	X	X	X	X
32	S553-526 ②	Filter Door Assembly	X	X	X	X	X	X
32	S553-528 ③	Filter Door Assembly	X	X	X	X	X	X
33	105-1302	Grommet Retainer	X	X	X	X	X	X
34	105-1324	Close Off Angle	X	X	X	X	X	X

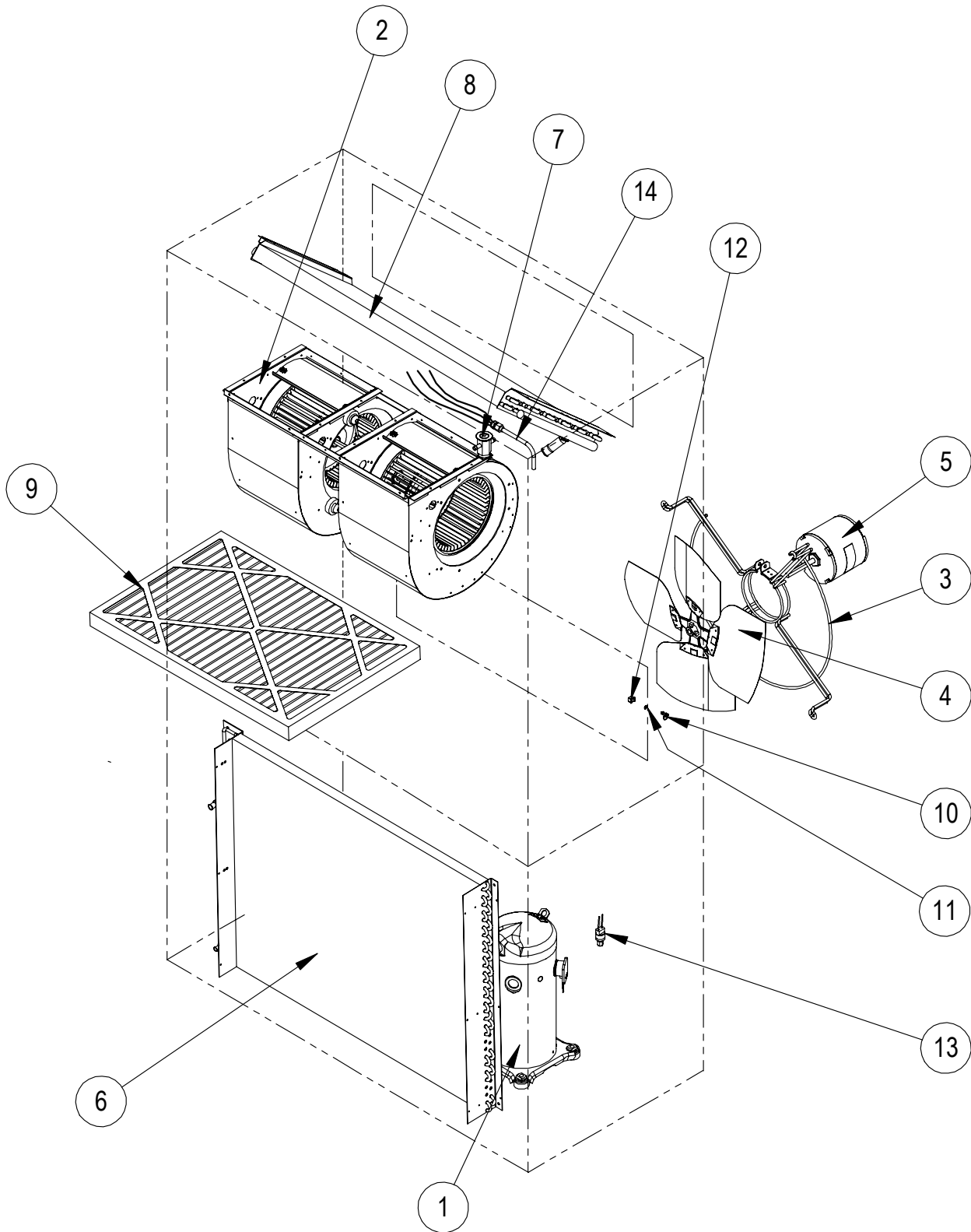
① Exterior cabinet parts are manufactured with various paint color options. To ensure the proper paint color is received, please reference the following codes: Beige -X, White -1, Buckeye Gray -4, Desert Brown -5, Dark Bronze -8

② Exterior cabinet parts are manufactured from aluminum Code "A"

③ Exterior cabinet parts are manufactured from stainless steel Code "S"

*This page intentionally left blank*

# FUNCTIONAL COMPONENTS



SEXP-177 A

This drawing is referenced in tables on pages 7 and 8

## FUNCTIONAL COMPONENTS

Dwg No.	Part Number	Description	W48AAMA	W48AAMB	W48AAMC	W60ABMA	W60ABMB	W60ABMC
1	8000-343	Compressor	X					
1	8000-344	Compressor		X				
1	8000-345	Compressor			X			
1	8000-324	Compressor				X		
1	8000-325	Compressor					X	
1	8000-326	Compressor						X
2	S900-320	Blower Assembly	X	X				
2	S900-321	Blower Assembly			X			
2	S900-185	Blower Assembly				X	X	
2	S900-186	Blower Assembly						X
3	8200-004	Fan Motor Mount	X	X	X	X	X	X
3	8200-051 ①	Stainless Steel Fan Motor Mount	X	X	X	X	X	X
4	5151-060	Fan Blade	X	X	X	X	X	X
4	5151C060 ①	Coated Fan Blade	X	X	X	X	X	X
5	8105-030	Condenser Motor			X			X
5	8105-066	Condenser Motor	X	X		X	X	
5	8105-039	Condenser Motor						
6	5051-199BX	Condenser Coil	X	X	X			
6	5054-199BX	Condenser Coil - Coated	X	X	X			
6	5051-198BX	Condenser Coil				X	X	X
6	5054-198BX	Condenser Coil - Coated				X	X	X
7	5651-223	Expansion Valve	X	X	X			
7	5651-237	Expansion Valve				X	X	X
8	917-0261BX	Evaporator Coil	X	X	X			
8	917-0270BX	Evaporator Coil - Coated	X	X	X			
8	917-0259BX	Evaporator Coil				X	X	X
8	917-0267BX	Evaporator Coil - Coated				X	X	X
9	7004-016	Air Filter 1" Throw-Away (20x30x1)	X	X	X	X	X	X
9	7003-030	Air Filter 1" Washable (20x30x1)	X	X	X	X	X	X
9	7004-027	Air Filter 2" Pleated (20x30x2)	X	X	X	X	X	X
10	1171-022	1/4 Turn Fastener	X	X	X	X	X	X
11	1171-024	1/4 Turn Retainer	X	X	X	X	X	X
12	1171-023	1/4 Receptacle	X	X	X	X	X	X
13	8406-142	High Pressure Switch	X	X	X	X	X	X
13	8406-140	Low Pressure Switch	X	X	X	X	X	X
14	800-0424	Distributor Assembly	X	X	X			
14	800-0455	Distributor Assembly				X	X	X
NS	5201-022	Filter Drier	X	X	X	X	X	X
NS	5650-042	Rev. Valve Solenoid, Red Casing (Ranco)	X	X	X	X	X	X
NS	5650-046	Rev. Valve Solenoid, Black Casing (San Hua)	X	X	X	X	X	X
NS	5650-051	Dehum. Valve 4-Pipe 1/2 x 1/2 with 24V Solenoid Coil	X	X	X	X	X	X
NS	CMA-28	Low Ambient Control (Flare) ②	X	X	X	X	X	X
NS	5651-219	Check Valve	2	2	2	2	2	2
NS	5451-024	Tubing Isolation Grommet	2	2	2	2	2	2
NS	6031-009	Coremax Valve Core	2	2	2	2	2	2
NS	8605-017	Compressor Crankcase Heater	X	X		X	X	
NS	8605-018	Compressor Crankcase Heater			X			X
NS	1171-028	Filter Door Clip	2	2	2	2	2	2
NS	1171-057	Filter Door Screw	2	2	2	2	2	2
NS	1171-027	Filter Door Screw Retainer	2	2	2	2	2	2

NS – Not Shown

① – Used with stainless steel cabinet option

② – Optional on these models

# FUNCTIONAL COMPONENTS

Dwg No.	Part Number	Description	W72ABMA	W72ABMB	W72ABMC
1	8000-403	Compressor	X		
1	8000-404	Compressor		X	
1	8000-405	Compressor			X
2	S900-348-001	Blower Assembly	X	X	
2	S900-349-001	Blower Assembly			X
3	8200-049	Fan Motor Mount	X	X	X
3	8200-052 ①	Stainless Steel Fan Motor Mount	X	X	X
4	5151-062	Fan Blade	X	X	X
4	5151C062 ①	Coated Fan Blade	X	X	X
5	8106-016	Condenser Motor	X	X	
5	8106-067	Condenser Motor			X
6	5051-197BX	Condenser Coil	X	X	X
6	5054-197BX	Condenser Coil - Coated	X	X	X
7	905-0729	EEV Valve Assembly	X	X	X
8	917-0259BX	Evaporator Coil	X	X	X
8	917-0267BX	Evaporator Coil - Coated	X	X	X
9	7004-016	Air Filter 1" Throw-Away (20x30x1)	X	X	X
9	7003-030	Air Filter 1" Washable (20x30x1)	X	X	X
9	7004-027	Air Filter 2" Pleated (20x30x2)	X	X	X
10	1171-022	1/4 Turn Fastener	X	X	X
11	1171-024	1/4 Turn Retainer	X	X	X
12	1171-023	1/4 Receptacle	X	X	X
13	8406-153	Low Pressure Transducer	X	X	X
NS	8406-142	High Pressure Switch	X	X	X
NS	5201-022	Filter Drier	X	X	X
NS	5651-0246	Electronic Expansion Valve Cable and Stator	X	X	X
NS	113-703	EEV Bracket	X	X	X
NS	5650-046	Rev. Valve Solenoid, Black Casing (San Hua)	X	X	X
NS	5650-051	Dehum. Valve 4-Pipe 1/2 x 1/2 with 24V Solenoid Coil	X	X	X
NS	5651-219	Check Valve	X	X	X
NS	CMA-28	Low Ambient Control (Flare) ②	X	X	X
NS	5451-024	Tubing Isolation Grommet	2	2	2
NS	CMC-29	Freeze Thermostat Kit	X	X	X
NS	8408-044	Evaporator Temp Sensor	X	X	X
NS	1171-028	Filter Door Clip	2	2	2
NS	1171-057	Filter Door Screw	2	2	2
NS	1171-027	Filter Door Screw Retainer	2	2	2
NS	6031-009	Coremax Valve Core	2	2	2
NS	8605-017	Compressor Crankcase Heater	X	X	
NS	8605-018	Compressor Crankcase Heater			X

NS – Not Shown

① – Used with stainless steel cabinet option

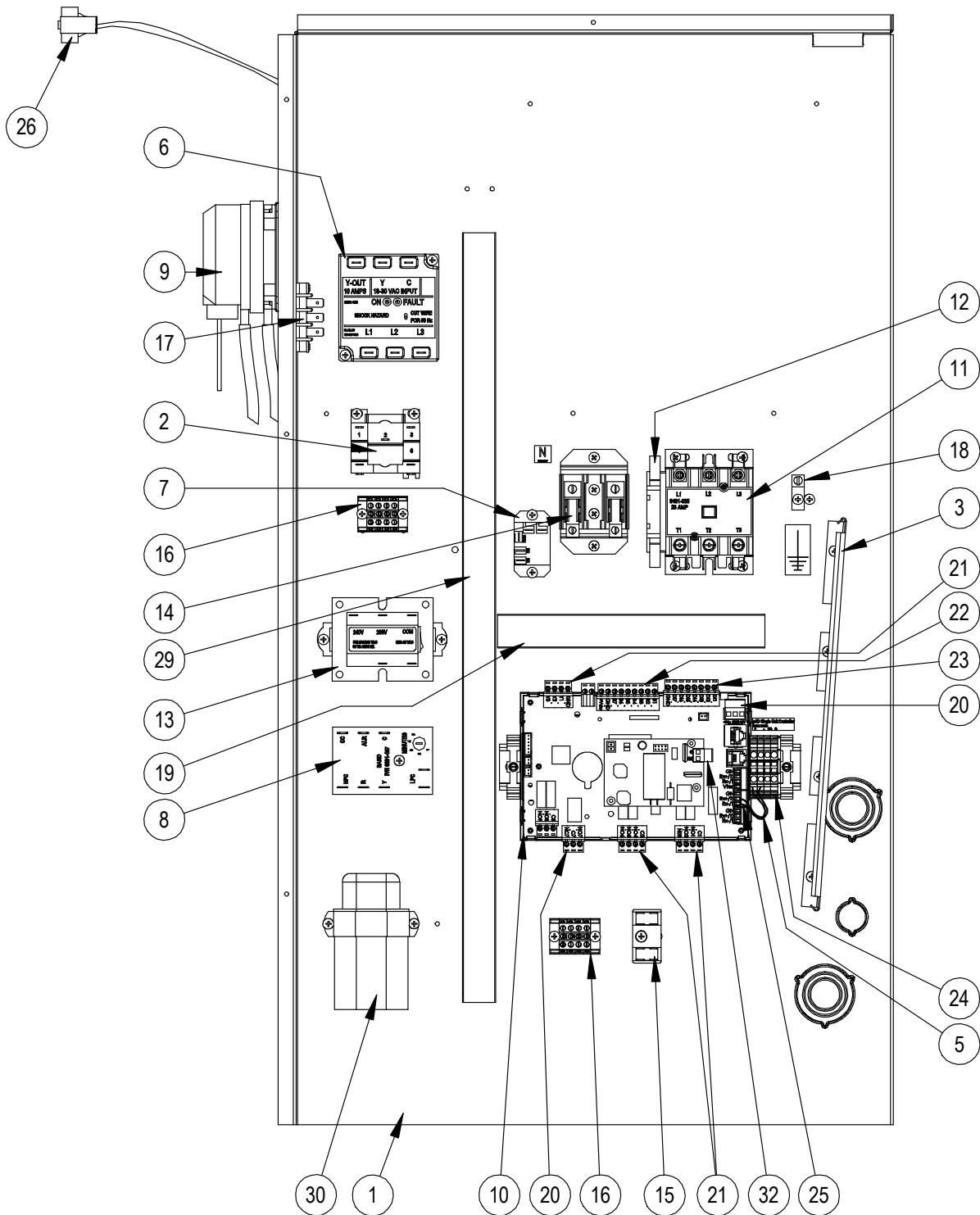
② – Optional on these models

This table references drawing on page 6



*This page intentionally left blank*

# CONTROL PANEL



SEXP-877

This drawing is referenced in tables on pages 11, 12 and 13

# CONTROL PANEL

Dwg No.	Part Number	Description	W48AAMA	W48AAMB	W48AAMC
1	517X393	Control Panel Assembly	X	X	X
2	8201-032	Blower Relay	X	X	X
3	135-122	Wire Shield	X	X	X
5	3020-004	12" 2 Conductor Sheathed Cable	X	X	X
6	8201-126	3 Phase Line Monitor 50/60 Hz		X	X
7	8201-130	Alarm Relay	X	X	X
8	8201-157	Compressor Control Module	X	X	X
9	8301-057	Filter Switch w/Adjustment	X	X	X
10	8301-068-001*	UPC3-MULTI-TEC 2.0.0	X	X	X
11	8401-035	Contactora 3-Pole 25 Amp		X	X
11	8401-038	Contactora 2-Pole 40 Amp	X		
12	8401-042	Aux. NC Contact		X	X
13	8407-048	Transformer 208/240-24 75VA	X	X	
13	8407-050	Transformer 480/24VAC 75VA			X
14	8607-013	Terminal Block 2 Term. 240V			
15	8607-017	Terminal Block 240V 2 Terminal	X	X	X
16	8607-037	Terminal Block 4 Position	X	X	X
17	8607-041	Park Terminal	X	X	X
18	8611-006	Ground Terminal	X	X	X
19	8611-140-0800	2-1/4" x 1" Cable Duct x 8"	X	X	X
20	8611-147	3-Pin Circuit Board Connector	X	X	X
21	8611-148	4-Pin Circuit Board Connector	X	X	X
22	8611-149	9-Pin Circuit Board Connector	X	X	X
23	8611-185	8-Pin Circuit Board Connector	X	X	X
24	8611-150	Term. Block for DIN Rail RS485	X	X	X
25	8611-192	Small 3-Pin Circuit Board Connector	X	X	X
26	910-1935	Evap. Temp. Sensor Assembly	X	X	X
29	8611-139-2300	1-1/2" X 1-1/2" Cable Duct X 23"	X	X	X
30	8552-005	Outdoor Motor Capacitor		X	
30	8552-026	Outdoor Motor Capacitor			X
30	8552-089	Compressor Capacitor	X		
32	8611-183	2-Pin Circuit Board Connector	X	X	X
NS	3000-1222	Compressor Plug/Harness Wire Assembly	X		
NS	3000-1230	Compressor Plug/Harness Wire Assembly		X	X
NS	8301-075	USB Micro Cable Female to Male	X	X	X
NS	8408-044	Return Air Sensor	X	X	X
NS	8301-066	Mixed Air Sensor	X	X	X
NS	4207-103	Wiring Diagram	X		
NS	4207-203	Wiring Diagram		X	
NS	4207-303	Wiring Diagram			X

\* Replacement part will have a letter attached to the end of the part number to designate software version (Example: 8301-068-001**A**). A software upgrade of all PLCs onsite (units and controllers) should accompany any PLC replacement. Latest revisions of software, change log and instructions are available on the Bard website at <http://www.bardhvac.com/software-download/>

NS = Not Shown

# CONTROL PANEL

Dwg No.	Part Number	Description	W60ABMA	W60ABMB	W60ABMC
1	517X393	Control Panel Assembly	X	X	X
2	8201-032	Blower Relay	X	X	X
3	135-122	Wire Shield	X	X	X
5	3020-004	12" 2 Conductor Sheathed Cable	X	X	X
6	8201-126	3 Phase Line Monitor 50/60 Hz		X	X
7	8201-130	Alarm Relay	X	X	X
8	8201-157	Compressor Control Module	X	X	X
9	8301-057	Filter Switch w/Adjustment	X	X	X
10	8301-068-001*	UPC3-MULTI-TEC 2.0.0	X	X	X
11	8401-035	Contactors 3-Pole 25 Amp		X	X
11	8401-038	Contactors 2-Pole 40 Amp	X		
12	8401-042	Aux. NC Contact		X	X
13	8407-048	Transformer 208/240-24 75VA	X	X	
13	8407-050	Transformer 480/24VAC 75VA			X
15	8607-017	Terminal Block 240V 2 Terminal	X	X	X
16	8607-037	Terminal Block 4 Position	X	X	X
17	8607-041	Park Terminal	X	X	X
18	8611-006	Ground Terminal	X	X	X
19	8611-140-0800	2-1/4" x 1" Cable Duct x 8"	X	X	X
20	8611-147	3-Pin Circuit Board Connector	X	X	X
21	8611-148	4-Pin Circuit Board Connector	X	X	X
22	8611-149	9-Pin Circuit Board Connector	X	X	X
23	8611-185	8-Pin Circuit Board Connector	X	X	X
24	8611-150	Term. Block for DIN Rail RS485	X	X	X
25	8611-192	Small 3-Pin Circuit Board Connector	X	X	X
26	910-1935	Evap. Temp. Sensor Assembly	X	X	X
29	8611-139-2300	1-1/2" X 1-1/2" Cable Duct X 23"	X	X	X
30	8552-058	Compressor Capacitor	X		
30	8552-026	Outdoor Motor Capacitor			X
30	8552-005	Outdoor Motor Capacitor		X	
32	8611-183	2-Pin Circuit Board Connector	X	X	X
NS	3000-1222	Compressor Plug/Harness Wire Assembly	X		
NS	3000-1230	Compressor Plug/Harness Wire Assembly		X	X
NS	8301-075	USB Micro Cable Female to Male	X	X	X
NS	8408-044	Return Air Sensor	X	X	X
NS	8301-066	Mixed Air Sensor	X	X	X
NS	4207-103	Wiring Diagram	X		
NS	4207-203	Wiring Diagram		X	
NS	4207-303	Wiring Diagram			X

\* Replacement part will have a letter attached to the end of the part number to designate software version (Example: 8301-068-001**A**). A software upgrade of all PLCs onsite (units and controllers) should accompany any PLC replacement. Latest revisions of software, change log and instructions are available on the Bard website at <http://www.bardhvac.com/software-download/>

NS = Not Shown

This table references drawing on page 10

# CONTROL PANEL

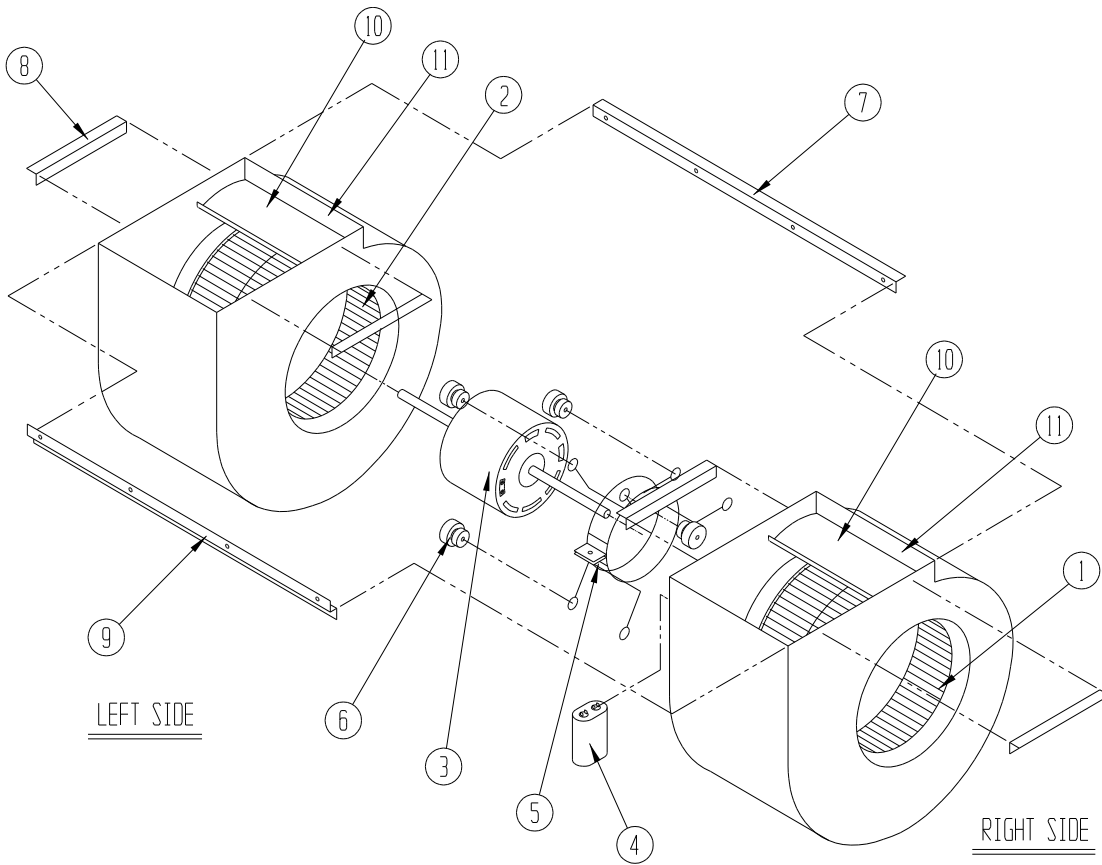
Dwg No.	Part Number	Description	W72ABMA	W72ABMB	W72ABMC
1	517X393	Control Panel Assembly	X	X	X
2	8201-032	Blower Relay	X	X	X
3	135-122	Wire Shield	X	X	X
5	3020-004	12" 2 Conductor Sheathed Cable	X	X	X
6	8201-126	3 Phase Line Monitor 50/60 Hz		X	X
7	8201-130	Alarm Relay	X	X	X
8	8201-157	Compressor Control Module	X	X	X
9	8301-057	Filter Switch w/Adjustment	X	X	X
10	8301-068-001*	UPC3-MULTI-TEC 2.0.0	X	X	X
11	8401-035	Contactor 3-Pole 25 Amp		X	X
11	8401-038	Contactor 2-Pole 40 Amp	X		
12	8401-042	Aux. NC Contact		X	X
13	8407-048	Transformer 208/240-24 75VA	X	X	
13	8407-050	Transformer 480/24VAC 75VA			X
15	8607-017	Terminal Block 240V 2 Terminal	X	X	X
16	8607-037	Terminal Block 4 Position	X	X	X
17	8607-042	Blower Park Terminal	X	X	X
18	8611-006	Ground Terminal	X	X	X
19	8611-140-0800	2-1/4" x 1" Cable Duct x 8"	X	X	X
20	8611-147	3-Pin Circuit Board Connector	X	X	X
21	8611-148	4-Pin Circuit Board Connector	X	X	X
22	8611-149	9-Pin Circuit Board Connector	X	X	X
23	8611-185	8-Pin Circuit Board Connector	X	X	X
24	8611-150	Term. Block for DIN Rail RS485	X	X	X
25	8611-192	Small 3-Pin Circuit Board Connector	X	X	X
26	910-1935	Evap. Temp. Sensor Assembly	X	X	X
29	8611-139-2300	1-1/2" X 1-1/2" Cable Duct X 23"	X	X	X
30	8552-097	Compressor Capacitor	X		
30	8552-004	Outdoor Motor Capacitor		X	
30	8552-005	Outdoor Motor Capacitor			X
32	8611-183	2-Pin Circuit Board Connector	X	X	X
NS	3000-1510	Compressor Plug/Harness Wire Assembly	X		
NS	3000-1511	Compressor Plug/Harness Wire Assembly		X	X
NS	3000-1512	Motor Power Harness	X	X	X
NS	3000-1513	Motor Control Harness	X	X	X
NS	5650-048	Molded Plug 54" Leads	X	X	X
NS	3000-1360	Wire Assembly (Low Pressure Transducer)	X	X	X
NS	8301-075	USB Micro Cable Female to Male	X	X	X
NS	8406-153	Low Pressure Transducer	X	X	X
NS	8408-044	Return Air Sensor	X	X	X
NS	8301-066	Mixed Air Sensor	X	X	X
NS	4207-106	Wiring Diagram	X		
NS	4207-206	Wiring Diagram		X	
NS	4207-306	Wiring Diagram			X

\* Replacement part will have a letter attached to the end of the part number to designate software version (Example: 8301-068-001**A**). A software upgrade of all PLCs onsite (units and controllers) should accompany any PLC replacement. Latest revisions of software, change log and instructions are available on the Bard website at <http://www.bardhvac.com/software-download/>

NS = Not Shown

This table references drawing on page 10

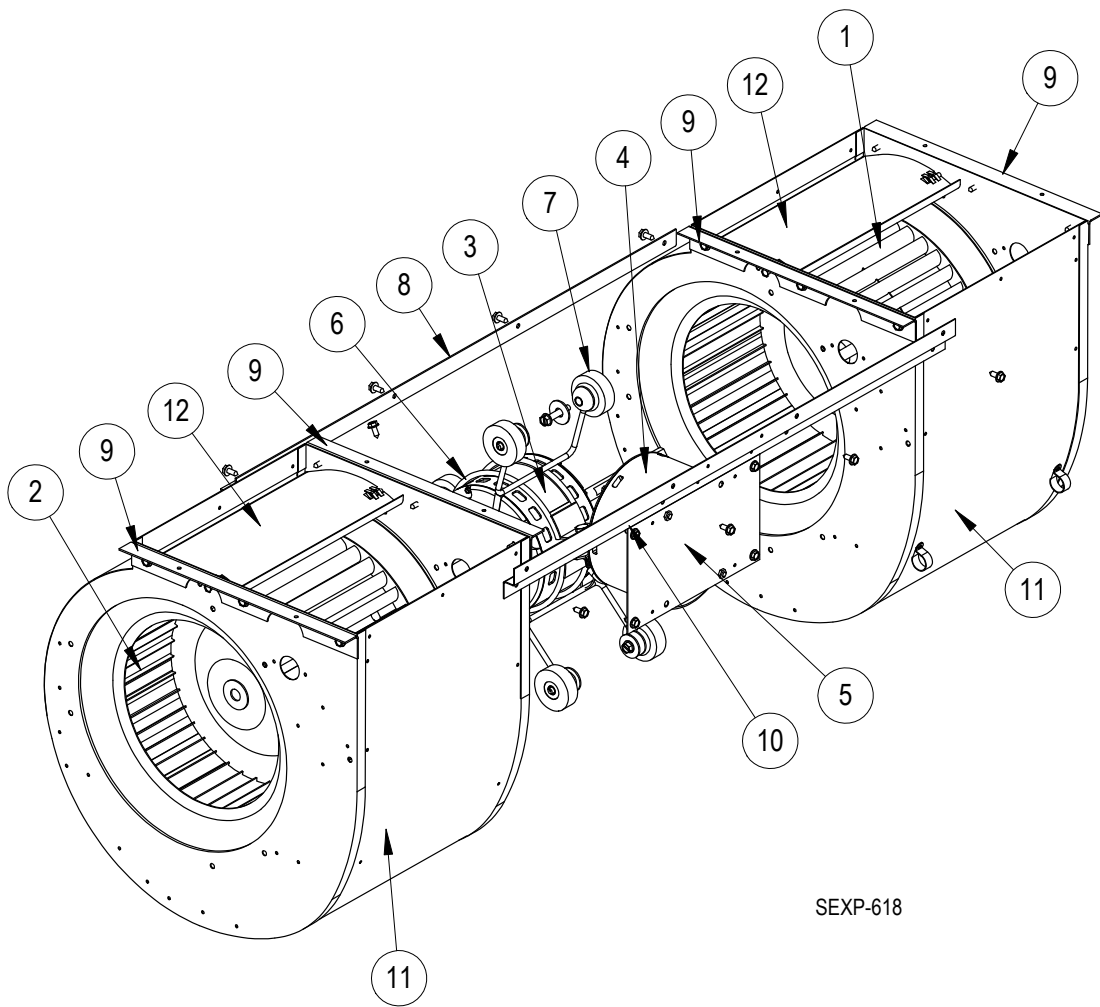
# BLOWER ASSEMBLY



SEXP-178

Dwg No.	Part Number	Description	S900-320	S900-321	S900-185	S900-186
1	5152-011	10 Inch Wheel (CW)	X	X	X	X
1	5152-057	9 Inch Wheel (CW)	X	X		
2	5152-012	10 Inch Wheel (CW)	X	X	X	X
2	5152-058	9 Inch Wheel (CW)	X	X		
3	8105-061	Blower Motor (230/208)	X			
3	8105-062	Blower Motor (460)		X		
3	8106-046	Blower Motor (230/208)			X	
3	8106-025	Blower Motor (460)				X
4	8552-091	Capacitor	X	X	X	
4	8552-005	Capacitor				X
5	8200-040	Motor Mount	X	X	X	X
6	5451-011	Grommets	6	6	6	6
7	105-881	Back Brace	X	X	X	X
8	105-880	Side Angle	4	4	4	4
9	103-389	Front Brace	X	X	X	X
10	151-101	Housing	2	2	2	2
11	144-166	Diffuser	2	2	2	2

# BLOWER ASSEMBLY



SEXP-618

Dwg. No.	Part Number	Description	S900-348-001	S900-349-001
1	5152-011	10-Inch Wheel (CW)	X	X
2	5152-012	10-Inch Wheel (CCW)	X	X
3	8107-019-0135	3/4 HP Programmed Motor w/Control	X	
3	8107-026-0136	3/4 HP Programmed Motor w/Control		X
5	112-580	Blower Motor Control Bracket	X	X
6	8200-040	Motor Mount	X	X
7	5451-011	Grommets	6	6
8	105-881	Back Brace	X	X
9	105-880	Side Angle	4	4
10	103-389	Front Brace	X	X
11	151-101	Housing	2	2
12	144-166	Diffuser	2	2