
REPLACEMENT PARTS MANUAL

WALL MOUNTED PACKAGED AIR CONDITIONER

Models:

W18AB-A W24AB-A
W24AB-B
W24AB-C
W24AB-D
W24AB-F

General Notes

- Revised and/or additional pages may be issued from time to time.
- A complete and current manual consists of pages shown in the following contents section.

Important

- Contact the installing and/or local Bard distributor for all parts requirements. Make sure to have the complete model and serial number available from the unit rating plates.

Contents

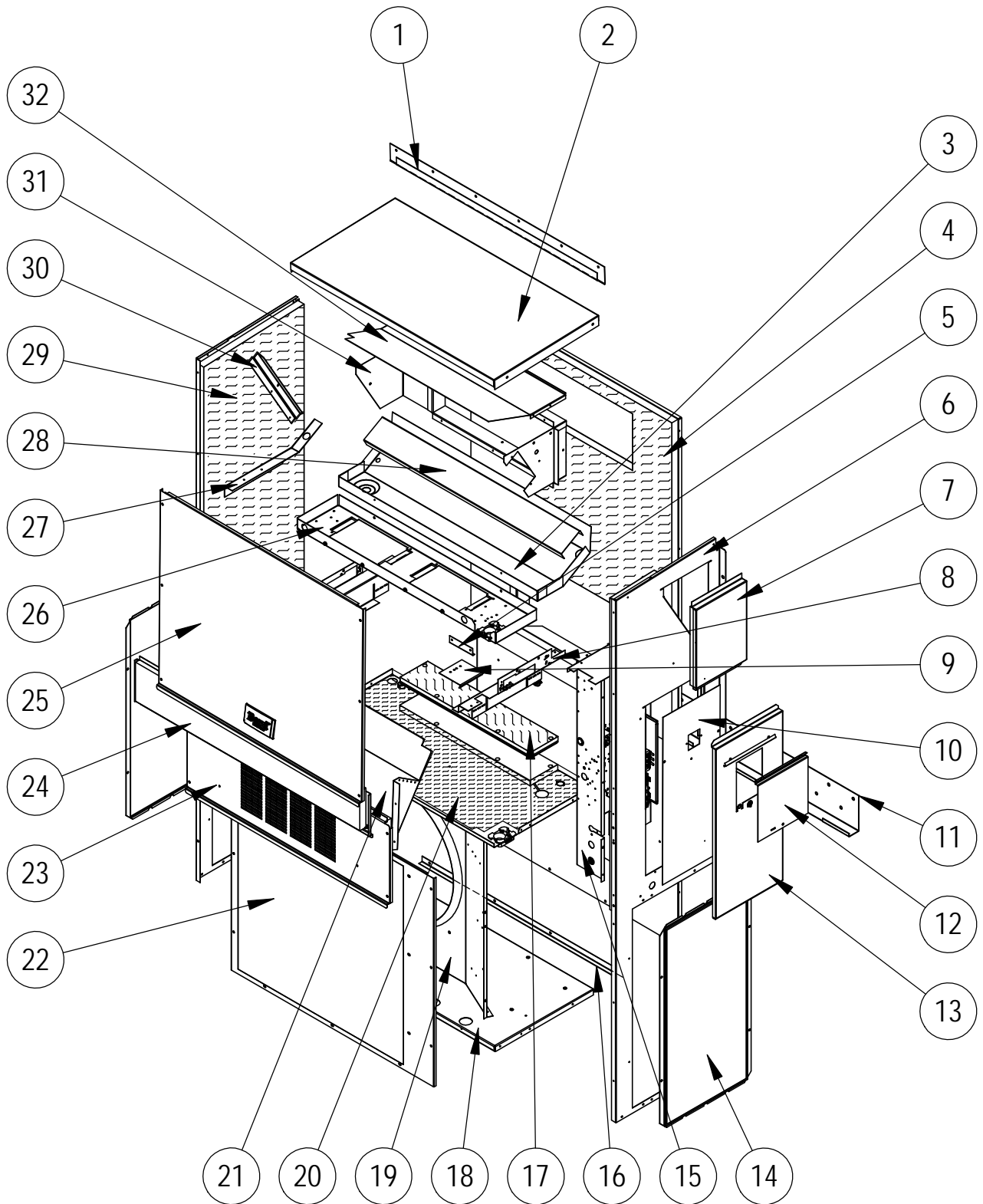
| <u>Description</u> | <u>Page</u> |
|-----------------------|-------------|
| Cabinet Components | |
| ♦ Exploded View | 2 |
| ♦ Usage List | 3 |
| Functional Components | |
| ♦ Exploded View | 4 |
| ♦ Usage List | 5 |
| Control Panel | |
| ♦ Layout View | 6 |
| ♦ Usage List | 7 |
| Blower Assembly | |
| ♦ Exploded View | 8 |
| ♦ Usage List | 8 |



Bard Manufacturing Company, Inc.
Bryan, Ohio 43506
www.bardhvac.com

Manual: 2110-1447D
Supersedes: 2110-1447C
Date: 4-14-20

CABINET COMPONENTS



SEXP-907

CABINET COMPONENTS

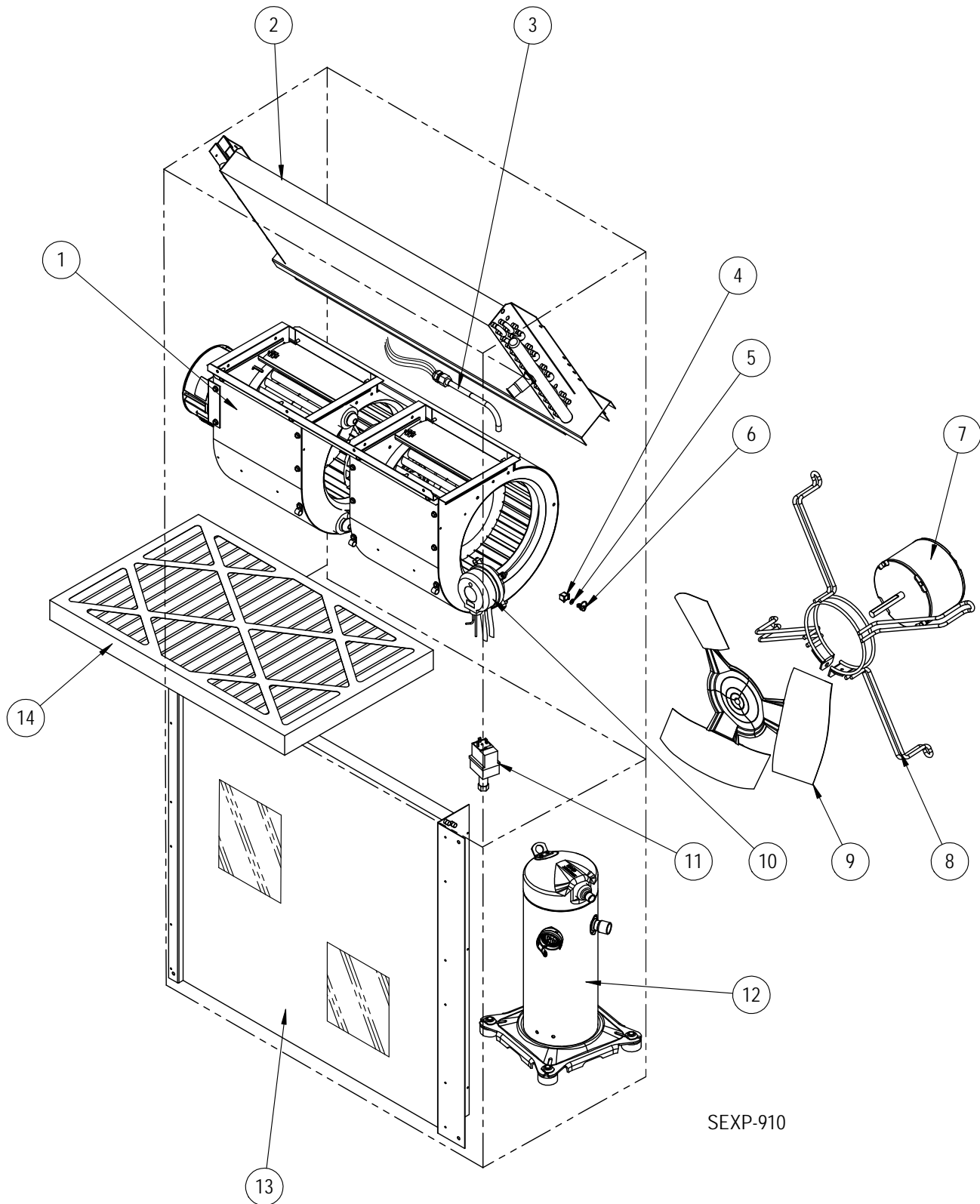
| Dwg No. | Part Number | Description | W18AB-A | W24AB-A, B, D | W24AB-F, C |
|---------|------------------------|--|---------|---------------|------------|
| 1 | 113-141-* ① | Top Rain Flashing | X | X | X |
| 1 | 113-361 ② | Top Rain Flashing | X | X | X |
| 1 | 113-141-4 ③ | Top Rain Flashing | X | X | X |
| 2 | S507-311-* ① | Top | X | X | X |
| 2 | S507-318-* ③ | Top | X | X | X |
| 2 | S507-317 ② | Top | X | X | X |
| 3 | S123-126 | Drain Pan | X | X | X |
| 3 | S123-140 ②③ | Drain Pan | X | X | X |
| 4 | S508-342 | Back | X | X | X |
| 4 | S508-344 ③ | Back | X | X | X |
| 4 | S508-391 ② | Back | X | X | X |
| 5 | 105-1302 | Grommet Retainer | X | X | X |
| 6 | S501-933-* ① | Right Side | X | X | X |
| 6 | S501-994 ② | Right Side | X | X | X |
| 6 | S501-937 ③ | Right Side | X | X | X |
| 7 | S543-175-* ① | Right Side Cover Plate (Outer) | X | X | X |
| 7 | S543-185 ② | Right Side Cover Plate (Outer) | X | X | X |
| 7 | S543-184 ③ | Right Side Cover Plate (Outer) | X | X | X |
| 8 | 113X480 | Filter Bracket | 2 | 2 | 2 |
| 9 | 137-259 | Fill Plate | X | X | X |
| 10 | S132-104 | Control Panel Cover (Inner) | X | X | |
| 10 | S132-172 | Control Panel Cover (Inner) | | | X |
| 11 | 113-140 | Bottom Mounting Bracket | X | X | X |
| 12 | S153-218 ① | Disconnect Access Door | X | X | X |
| 12 | S153-405 ② | Disconnect Access Door | X | X | X |
| 12 | S153-387 ③ | Disconnect Access Door | X | X | X |
| 13 | S533-228-* ① | Control Panel Cover (Outer) | X | X | X |
| 13 | S533-235 ② | Control Panel Cover (Outer) | X | X | X |
| 13 | S533-236 ③ | Control Panel Cover (Outer) | X | X | X |
| 14 | 118-124-* ① | Side Grille | 2 | 2 | 2 |
| 14 | 118-140 ② | Side Grille | 2 | 2 | 2 |
| 14 | 118-139 ③ | Side Grille | 2 | 2 | 2 |
| 15 | Control Panel Assembly | See Control Panel Assy. Drawing & Parts List Assy. | X | X | X |
| 16 | 105-1392 | Close Off Angle | X | X | X |
| 17 | S536-176 | Cond. Partition Block Off Plate | X | X | X |
| 17 | S536-878 ② | Cond. Partition Block Off Plate | X | X | X |
| 18 | S127-467 | Lower Base | X | X | X |
| 18 | S127-534 ② | Lower Base | X | X | X |
| 19 | 125-080 | Fan Shroud | X | X | X |
| 19 | 125-082 ② | Fan Shroud | X | X | X |
| 20 | S521X528 | Condenser Partition | X | X | X |
| 20 | S521-553 ② | Condenser Partition | X | X | X |
| 21 | FAD-NE2 | Fresh Air Damper Assembly | X | X | X |
| 22 | 118-101-* ① | Condenser Grille | X | X | X |
| 22 | 118-106 ② | Condenser Grille | X | X | X |
| 22 | 118-111 ③ | Condenser Grille | X | X | X |
| 23 | S553-537-* ① | Vent Option Door | X | X | X |
| 23 | S553-547 ② | Vent Option Door | X | X | X |
| 23 | S553-548 ③ | Vent Option Door | X | X | X |
| 23 | S553-539-* ① | Vent Option Door with ERV | X | X | X |
| 23 | S553-555 ② | Vent Option Door with ERV | X | X | X |
| 23 | S553-556 ③ | Vent Option Door with ERV | X | X | X |
| 23 | S553-666-* ① | Vent Option Door with CRV or ECON-S | X | X | X |
| 23 | S553-692 ③ | Vent Option Door with CRV or ECON-S | X | X | X |
| 23 | S553-693 ② | Vent Option Door with CRV or ECON-S | X | X | X |
| 24 | S553-538-* ① | Filter Door | X | X | X |
| 24 | S553-552-* ③ | Filter Door | X | X | X |
| 24 | S553-551 ② | Filter Door | X | X | X |
| 25 | S514-240-* ① | Upper Front | X | X | X |
| 25 | S514-237-* ③ | Upper Front | X | X | X |
| 25 | S514-236 ② | Upper Front | X | X | X |
| 26 | 121X480 | Blower Partition | X | X | X |
| 27 | 105X850 | Side Support | X | X | X |
| 28 | 137-694 | Bottom Evaporator Fill | X | X | X |
| 29 | S501-934-* ① | Left Side | X | X | X |
| 29 | S501-995 ② | Left Side | X | X | X |
| 29 | S501-940 ③ | Left Side | X | X | X |
| 30 | 147-044 | Evaporator Support | X | X | X |
| 31 | S111X032 | Outlet Air Frame Assembly | X | X | X |
| 32 | 135X127 | Heat Shield | X | X | X |
| NS | 5252-033 | Bard Nameplate | X | X | X |

① Exterior cabinet parts are manufactured with various paint color options. To ensure the proper paint color is received, include the complete model and serial number of the unit for which cabinet parts are being ordered.

② Exterior cabinet parts are manufactured from stainless steel Code "S"

③ Exterior cabinet parts are manufactured from aluminum Code "A"

FUNCTIONAL COMPONENTS



FUNCTIONAL COMPONENTS

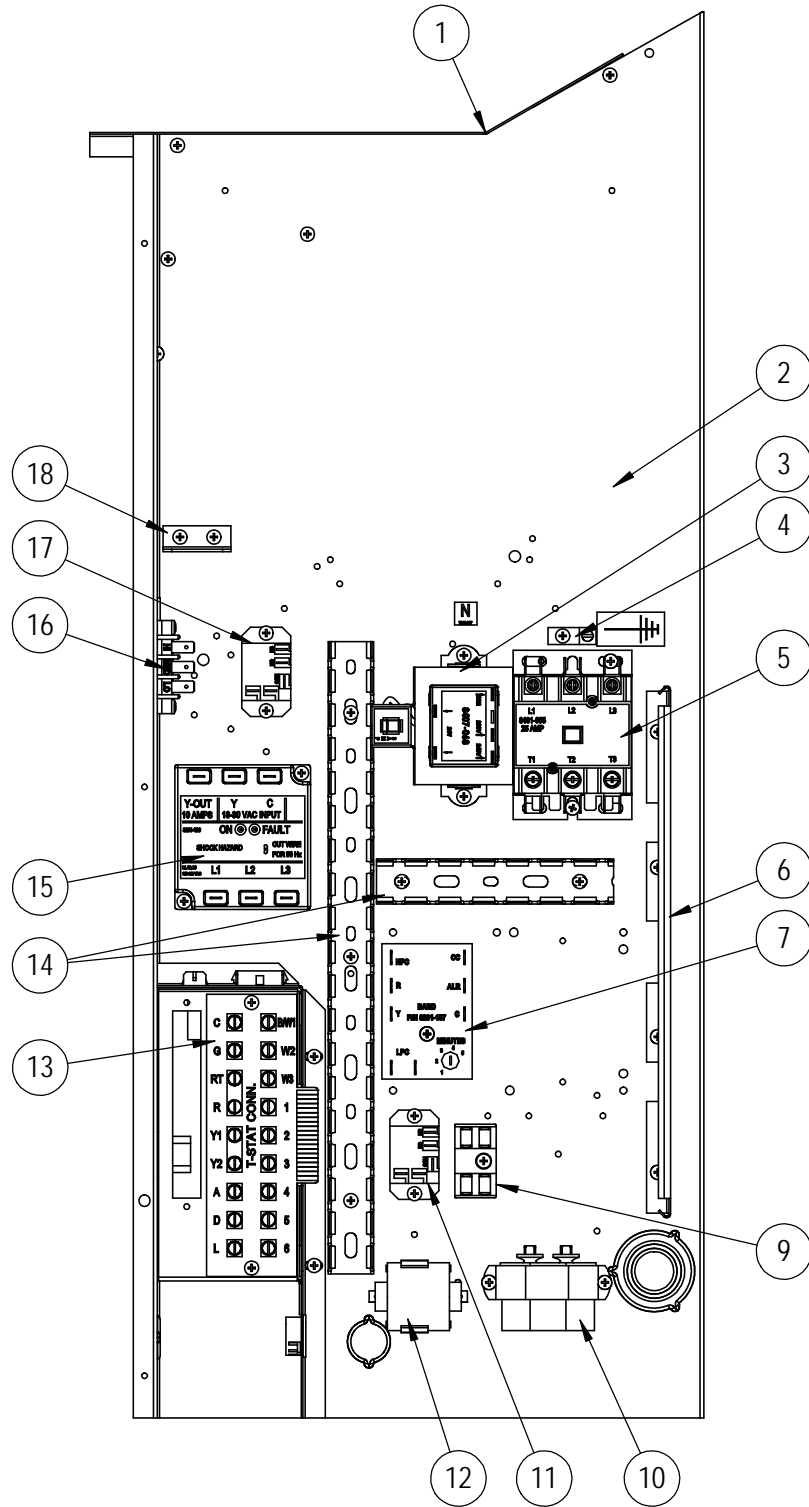
| Dwg No. | Part Number | Description | W18AB-A | W24AB-A | W24AB-B | W24AB-C | W24AB-D | W24AB-F |
|---------|--------------|--|---------|---------|---------|---------|---------|---------|
| 1 | S900-358-002 | Blower Assembly | | X | X | | X | X |
| 1 | S900-359-001 | Blower Assembly | | | | X | | |
| 1 | S900-358-001 | Blower Assembly | X | | | | | |
| 2 | 917-0381BX | Evaporator Coil with Distributor Assembly | X | | | | | |
| 2 | 917-0382BX | Evaporator Coil – Coated with Distributor Assembly | X | | | | | |
| 2 | 917-0353BX | Evaporator Coil with Distributor Assembly | | X | X | X | X | X |
| 2 | 917-0354BX | Evaporator Coil – Coated with Distributor Assembly | | X | X | X | X | X |
| 3 | 800-0458 | Distributor Assembly | X | | | | | |
| 3 | 800-0481 | Distributor Assembly | | X | X | X | X | X |
| 4 | 1171-023 | 1/4" Receptacle | X | X | X | X | X | X |
| 5 | 1171-024 | 1/4" Turn Retainer | X | X | X | X | X | X |
| 6 | 1171-022 | 1/4" Turn Fastener | X | X | X | X | X | X |
| 7 | 8103-028 | Condenser Motor | X | X | X | | X | X |
| 7 | 8103-030 | Condenser Motor | | | | X | | |
| 8 | 8200-001 | Fan Motor Mount | X | X | X | X | X | X |
| 8 | 8200-050 ① | Stainless Steel Fan Motor Mount | X | X | X | X | X | X |
| 9 | 5151-033 | Fan Blade | X | X | X | | X | X |
| 9 | 5151C003 ① | Coated Fan Blade | X | X | X | | X | X |
| 9 | 5151-046 | Fan Blade | | | | X | | |
| 9 | 5151C046 ① | Coated Fan Blade | | | | X | | |
| 10 | CMC-31 | Dirty Filter Switch Kit | X | X | X | X | X | X |
| 11 | CMA-37 | Modulating Low Ambient Control (Screw On) ② | X | X | X | | X | X |
| 11 | CMA-38 | 460V Modulating Low Ambient Control ② | | | | X | | |
| 12 | 8000-433 | Compressor | X | | | | | |
| 12 | 8000-434 | Compressor | | X | | | | |
| 12 | 8000-435 | Compressor | | | X | | | |
| 12 | 8000-436 | Compressor | | | | X | | X |
| 12 | 8000-437 | Compressor | | | | | X | |
| 13 | 5051-205BX | Condenser Coil | X | | | | | |
| 13 | 5054-205BX | Condenser Coil – Coated | X | | | | | |
| 13 | 5051-204BX | Condenser Coil | | X | X | X | X | X |
| 13 | 5054-204BX | Condenser Coil – Coated | | X | X | X | X | X |
| 14 | 7004-011 | Air Filter 1" Throw-Away (16x25x1) | X | X | X | X | X | X |
| 14 | 7003-032 | Air Filter 1" Washable ② (16x25x1) | X | X | X | X | X | X |
| 14 | 7004-025 | Air Filter 2" Pleated ② (16x25x2) | X | X | X | X | X | X |
| 14 | 7004-059 | Air Filter 2" Pleated – MERV 11 ② (16x25x2) | X | X | X | X | X | X |
| 14 | 7004-061 | Air Filter 2" Pleated – MERV 13 ② (16x25x2) | X | X | X | X | X | X |
| NS | 8406-142 | High Pressure Switch (Screw On) | X | X | X | X | X | X |
| NS | 8406-140 | Low Pressure Switch (Screw On) | X | X | X | X | X | X |
| NS | 5201-021 | Filter Drier | X | X | X | X | X | X |
| NS | 5451-024 | Tubing Isolation Grommet | X | X | X | X | X | X |
| NS | 6031-009 | Coremax Value Core | X | X | X | X | X | X |
| NS | 1171-028 | Filter Door Clip | 2 | 2 | 2 | 2 | 2 | 2 |
| NS | 1171-057 | Filter Door Screw | 2 | 2 | 2 | 2 | 2 | 2 |
| NS | 1171-027 | Filter Door Screw Retainer | 2 | 2 | 2 | 2 | 2 | 2 |
| NS | CMC-29 | Freeze Thermostat Kit | X | X | X | X | X | X |

NS – Not Shown

① – Used with stainless steel cabinet option

② – Optional on these models

CONTROL PANEL



SEXP-908

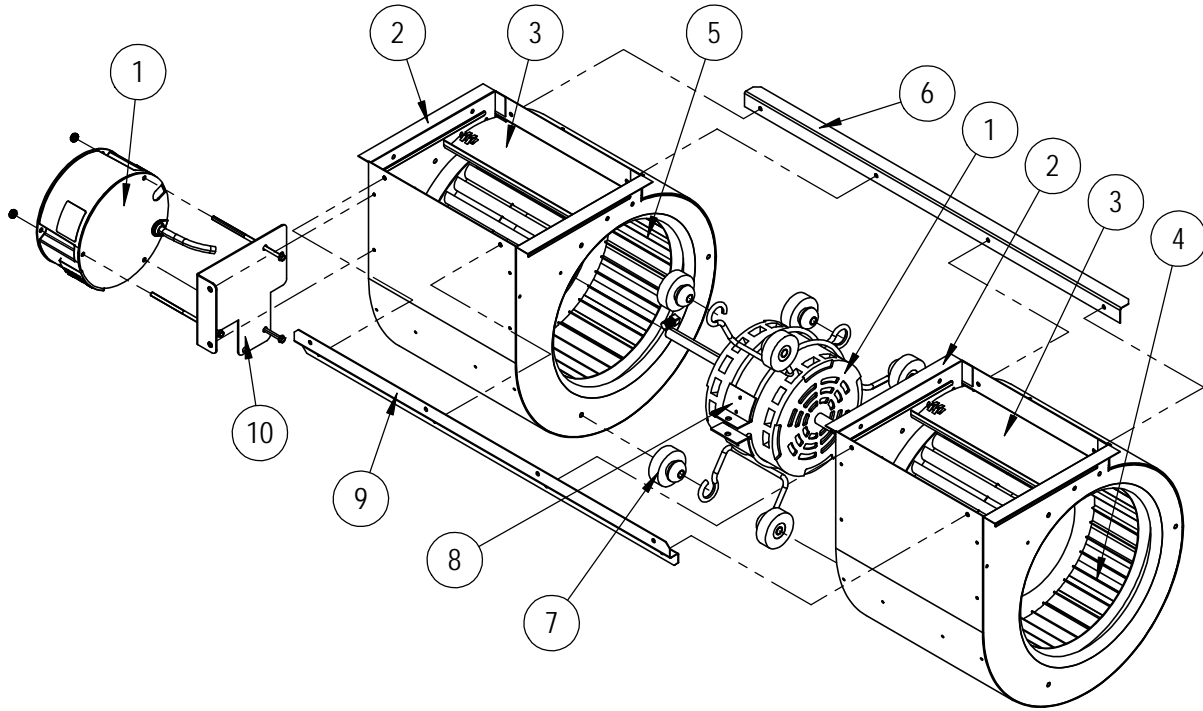
CONTROL PANEL

| Dwg No. | Part Number | Description | W18AB-A | W24AB-A | W24AB-B | W24AB-C | W24AB-D | W24AB-F |
|---------|---------------|--|---------|---------|---------|---------|---------|---------|
| 1 | 117X137 | Control Panel Top | X | X | X | X | X | X |
| 2 | 117X407 | Control Panel | X | X | X | X | X | X |
| 3 | 8407-068 | Transformer | X | X | X | | X | X |
| 3 | 8407-069 | Transformer | | | | X | | |
| 4 | 8611-006 | Ground Terminal | X | X | X | X | X | X |
| 5 | 8401-033 | Compressor Contactor | X | X | | | X | |
| 5 | 8401-035 | Compressor Contactor | | | X | X | | X |
| 6 | 135-122 | Wire Shield | X | X | X | X | X | X |
| 7 | 8201-164 | Compressor Control Module | X | X | X | X | X | X |
| 9 | 8607-017 | Terminal Block (Optional) | X | X | X | X | X | X |
| 10 | 8552-047 | Compressor Capacitor | X | | | | | |
| 10 | 8552-050 | Compressor Capacitor | | X | | | X | |
| 10 | 8552-002 | Outdoor Motor Capacitor | | | X | X | | X |
| 11 | 8201-130 | Alarm Relay (Optional) | X | X | X | X | X | X |
| 12 | 8551-004 | Start Device (PTCR) (Optional) | X | X | | | X | |
| 13 | 8607-063 | Low Voltage Terminal Strip | X | X | X | X | X | X |
| 14 | 8611-140-1400 | Cable Duct – 14" Piece | X | X | X | X | X | X |
| 14 | 8611-140-0500 | Cable Duct – 5" Piece | X | X | X | X | X | X |
| 15 | 8201-126 | Phase Monitor | | | X | X | | X |
| 16 | 8607-042 | Blower Speed Terminal | X | X | X | X | X | X |
| 17 | 8201-130 | Blower Control Relay | X | X | X | X | X | X |
| 18 | 141-188 | Plug Support Bracket | X | X | X | X | X | X |
| NS | 3000-1598 | Blower Power Plug | X | X | X | X | X | X |
| NS | 3000-1607 | Blower Speed Plug | X | | | | | |
| NS | 3000-1599 | Blower Speed Plug | | X | X | X | X | X |
| NS | 3000-1524 | Vent Jumper Plug | X | X | X | X | X | X |
| NS | 8615-035 | Circuit Breaker 20A 2 Pole (Opt.) ① | X | | | | X | |
| NS | 8615-036 | Circuit Breaker 25A 2 Pole (Opt.) ① | | X | | | | |
| NS | S8615-067 | Toggle Disconnect (Optional) ① | | | | X | | X |
| NS | 8615-056 | Circuit Breaker 15A 3 Pole (Opt.) ① | | | X | | | |
| NS | 8607-013 | Terminal Block 2 Pole | | | | | | X |
| NS | 113-601 | Terminal Block Bracket | | | | | | X |
| NS | 4095-197 | Wiring Diagram | X | | | | | |
| NS | 4095-196 | Wiring Diagram | | X | | | X | |
| NS | 4095-296 | Wiring Diagram | | | X | | | |
| NS | 4095-381 | Wiring Diagram | | | | X | | |
| NS | 4095-640 | Wiring Diagram | | | | | | X |
| NS | 3000-1224 | Compressor Plug/Harness | X | X | | | X | |
| NS | 3000-1231 | Compressor Plug/Harness | | | X | X | | X |
| NS | 3003-047 | Control Panel Harness | | X | | | X | |
| NS | 3003-048 | Control Panel Harness | | | X | X | | |
| NS | 3003-049 | Control Panel Harness | | | | | | X |
| NS | 3003-052 | Control Panel Harness | X | | | | | |
| NS | 3000-1608 | Low Voltage Terminal Block Harness | X | X | X | X | X | X |
| NS | S910-2047 | Complete Low Voltage Box Assembly (Sheet Metal, LVTS & Wire Harness) | X | X | X | X | X | X |

NS = Not Shown

① Circuit breakers listed are for units without electric heat, "OZ" models. See heater replacement parts manual for units with electric heat.

BLOWER ASSEMBLY



SEXP-909

| Dwg No. | Part Number | Description | S900-358-001 | S900-358-002 | S900-359-001 |
|---------|----------------|------------------------------------|--------------|--------------|--------------|
| 1 | S8105-064-0147 | Blower Motor & Control (230/208V) | X | | |
| 1 | S8105-064-0148 | Blower Motor & Control (230/208V) | | X | |
| 1 | S8105-065-0149 | Blower Motor & Control (460V) | | | X |
| 1 | C8105-064-0147 | Programmed Control Only (230/208V) | 0 | | |
| 1 | C8105-064-0148 | Programmed Control Only (230/208V) | | 0 | |
| 1 | C8105-065-0149 | Programmed Control Only (460V) | | | 0 |
| 2 | 151-115 | Housing | 2 | 2 | 2 |
| 3 | 144-183 | Cutoff | X | X | X |
| 4 | 5152-092 | Wheel 9-6 CW | X | X | X |
| 5 | 5152-093 | Wheel 9-6 CCW | X | X | X |
| 6 | 105-1061 | Back Brace | X | X | X |
| 7 | 5451-011 | Grommets | 6 | 6 | 6 |
| 8 | 8200-031 | Motor Mount | X | X | X |
| 9 | 103-435 | Front Brace | X | X | X |
| 10 | 113-721 | Motor Control Bracket | X | X | |