
REPLACEMENT PARTS MANUAL

WALL MOUNTED PACKAGED AIR CONDITIONER

Models:

W30AB-A W36AB-A W30ABDA W36ABDA
W30AB-B W36AB-B W30ABDB W36ABDB
W30AB-C W36AB-C W30ABDC W36ABDC
W30AB-D W36AB-D
W30AB-F W36AB-E
W36AB-F

Contents

| Description | Page | Description | Page |
|--|------|-----------------------|------|
| Cabinet Components – Standard & Dehum. | | Blower Assembly | |
| ♦ Exploded View | 2 | ♦ Exploded View | 12 |
| ♦ Usage List | 3 | ♦ Usage List | 12 |
| Functional Components | | | |
| ♦ Exploded View | 4 | | |
| ♦ Usage List – Standard | 5 | | |
| ♦ Usage List – Dehum. | 6 | | |
| EEV Controller Assembly | | | |
| ♦ Exploded View | 7 | | |
| ♦ Usage List | 7 | | |
| Control Panel – Standard | | | |
| ♦ Layout View | 8 | | |
| ♦ Usage List | 9 | | |
| Control Panel – Dehum. | | | |
| ♦ Layout View | 10 | | |
| ♦ Usage List | 11 | | |

General Notes

- Revised and/or additional pages may be issued from time to time.
- A complete and current manual consists of pages shown in the following contents section.

Important

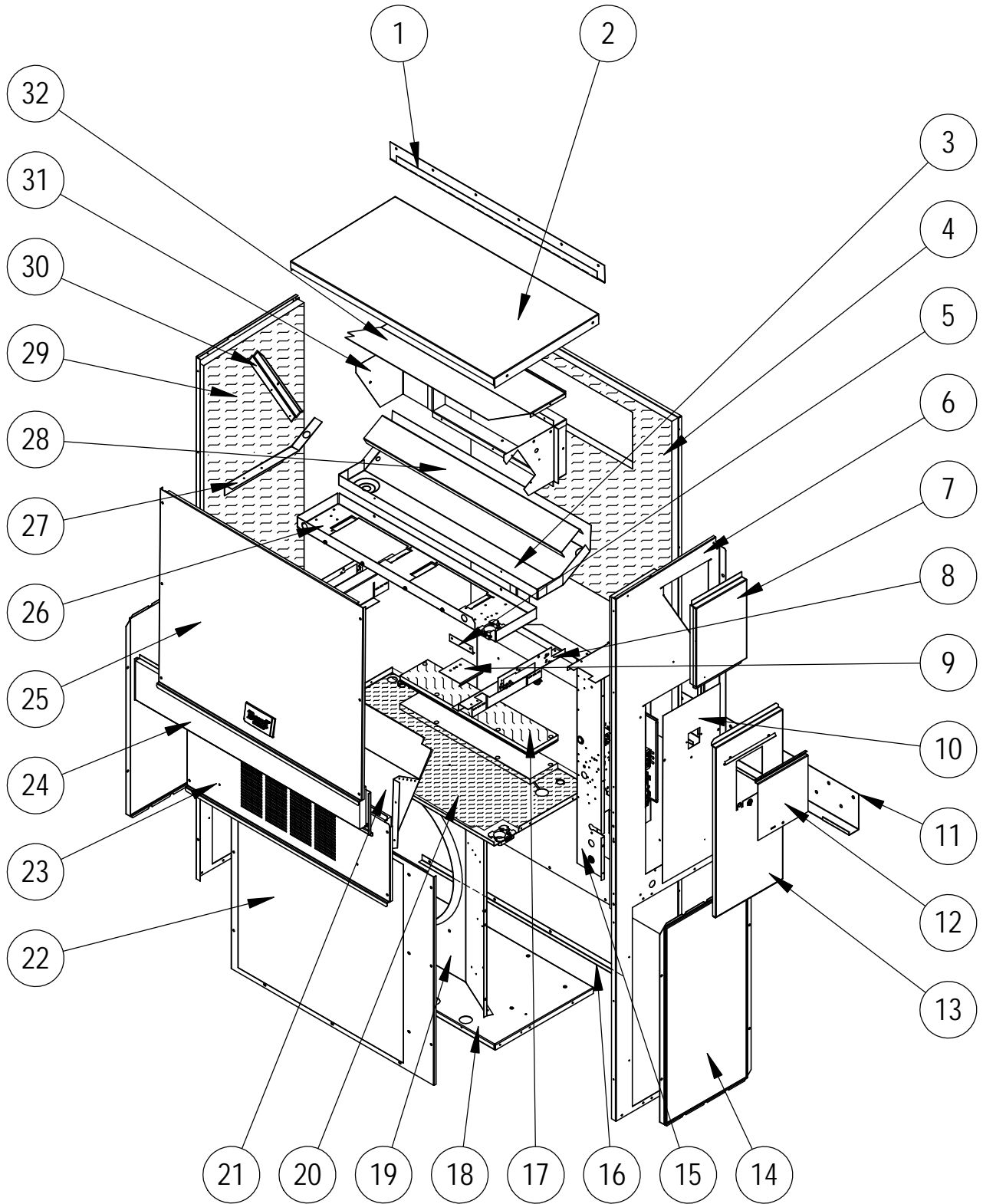
- Contact the installing and/or local Bard distributor for all parts requirements. Make sure you have the complete model and serial number available from the unit rating plates.



Bard Manufacturing Company, Inc.
Bryan, Ohio 43506
www.bardhvac.com

Manual: 2110-1449C
Supersedes: 2110-1449B
Date: 1-30-20

CABINET COMPONENTS



SEXP-907

CABINET COMPONENTS – STANDARD & DEHUMIDIFICATION

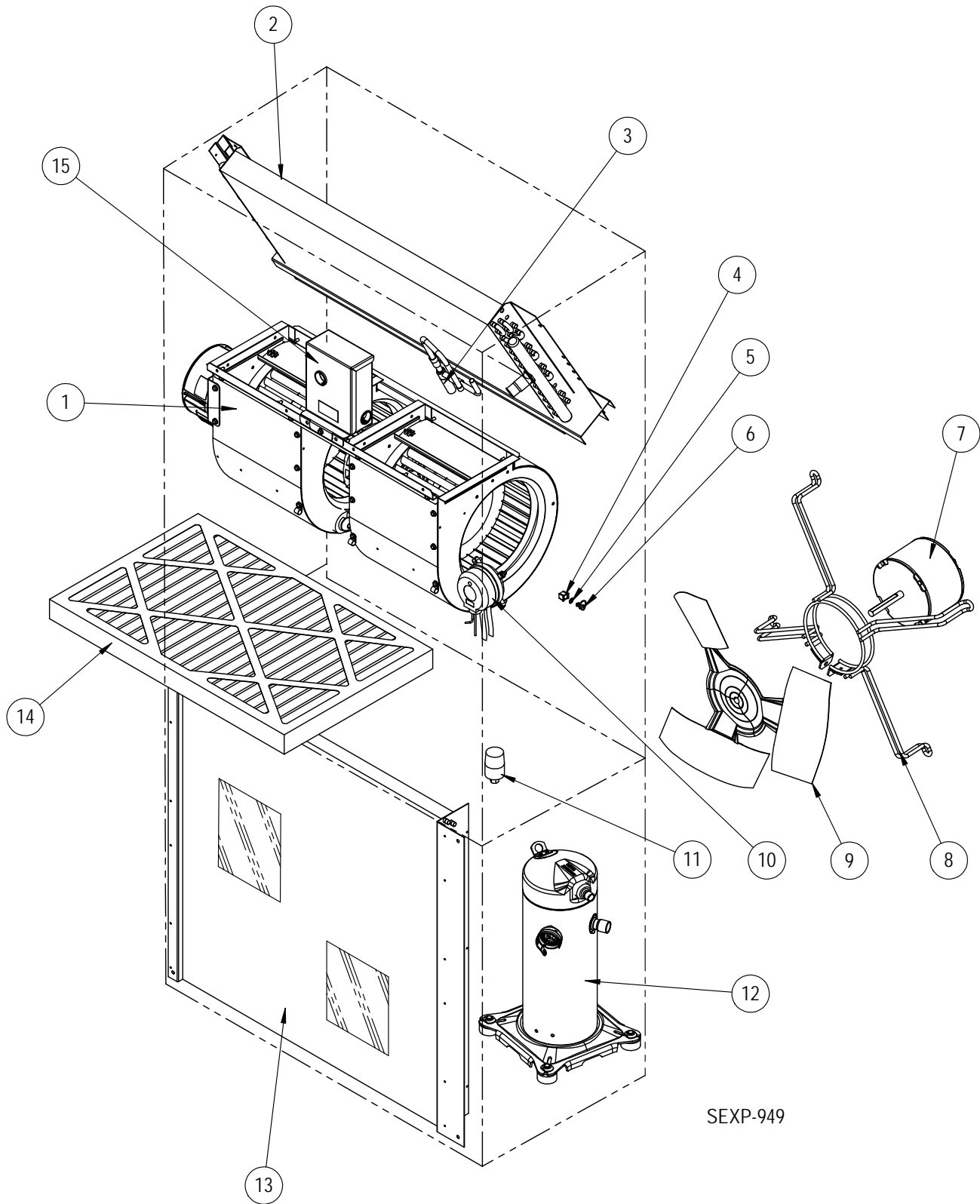
| Dwg No. | Part Number | Description | W30AB-A, B, D | W30AB-C, F | W30ABDA, B | W30ABDC | W36AB-A, B, D, E | W36AB-C, F | W36ABDA, B | W36ABDC |
|---------|------------------------|--|---------------|------------|------------|---------|------------------|------------|------------|---------|
| 1 | 113-149-* ① | Top Rain Flashing | X | X | X | X | X | X | X | X |
| 1 | 113-360 ② | Top Rain Flashing | X | X | X | X | X | X | X | X |
| 1 | 113-149-4 ③ | Top Rain Flashing | X | X | X | X | X | X | X | X |
| 2 | S507-308-* ① | Top | X | X | X | X | X | X | X | X |
| 2 | S507-319 ② | Top | X | X | X | X | X | X | X | X |
| 2 | S507-320 ③ | Top | X | X | X | X | X | X | X | X |
| 3 | S123-127 | Drain Pan | X | X | X | X | X | X | X | X |
| 3 | S123-141 ②③ | Drain Pan | X | X | X | X | X | X | X | X |
| 4 | S508-343 | Back | X | X | X | X | X | X | X | X |
| 4 | S508-388 ② | Back | X | X | X | X | X | X | X | X |
| 4 | S508-345 ③ | Back | X | X | X | X | X | X | X | X |
| 5 | 105-1302 | Grommet Retainer | X | X | X | X | X | X | X | X |
| 6 | S501-933-* ① | Right Side | X | X | X | X | X | X | X | X |
| 6 | S501-994 ② | Right Side | X | X | X | X | X | X | X | X |
| 6 | S501-937 ③ | Right Side | X | X | X | X | X | X | X | X |
| 7 | S543-175-* ① | Right Side Cover Plate (Outer) | X | X | X | X | X | X | X | X |
| 7 | S543-185 ② | Right Side Cover Plate (Outer) | X | X | X | X | X | X | X | X |
| 7 | S543-184 ③ | Right Side Cover Plate (Outer) | X | X | X | X | X | X | X | X |
| 8 | 113X480 | Filter Bracket | 2 | 2 | 2 | 2 | 2 | 2 | 2 | 2 |
| 9 | 137-259 | Fill Plate | X | X | X | X | X | X | X | X |
| 10 | S132-104 | Control Panel Cover (Inner) | X | | X | | X | | X | |
| 10 | S132-172 | Control Panel Cover (Inner) | | X | | X | | X | | X |
| 11 | 113-140 | Bottom Mounting Bracket | X | X | X | X | X | X | X | X |
| 12 | S153-218 ① | Disconnect Access Door | X | X | X | X | X | X | X | X |
| 12 | S153-405 ② | Disconnect Access Door | X | X | X | X | X | X | X | X |
| 12 | S153-387 ③ | Disconnect Access Door | X | X | X | X | X | X | X | X |
| 13 | S533-228 ① | Control Panel Cover (Outer) | X | X | X | X | X | X | X | X |
| 13 | S533-235 ② | Control Panel Cover (Outer) | X | X | X | X | X | X | X | X |
| 13 | S533-236 ③ | Control Panel Cover (Outer) | X | X | X | X | X | X | X | X |
| 14 | 118-124-* ① | Side Grille | 2 | 2 | 2 | 2 | 2 | 2 | 2 | 2 |
| 14 | 118-140 ② | Side Grille | 2 | 2 | 2 | 2 | 2 | 2 | 2 | 2 |
| 14 | 118-139 ③ | Side Grille | 2 | 2 | 2 | 2 | 2 | 2 | 2 | 2 |
| 15 | Control Panel Assembly | See Control Panel Assy. Drawing & Parts List Assy. | X | X | X | X | X | X | X | X |
| 16 | 105-1393 | Close Off Angle | X | X | X | X | X | X | X | X |
| 17 | S536-498 | Cond. Partition Block Off Plate | X | X | X | X | X | X | X | X |
| 17 | S536-877 ② | Cond. Partition Block Off Plate | X | X | X | X | X | X | X | X |
| 18 | 127-471 | Lower Base | X | X | X | X | X | X | X | X |
| 18 | S127-528 ② | Lower Base | X | X | X | X | X | X | X | X |
| 19 | 125-081 | Fan Shroud | X | X | X | X | X | X | X | X |
| 19 | 125-083 ② | Fan Shroud | X | X | X | X | X | X | X | X |
| 20 | S521X527 | Condenser Partition | X | X | X | X | X | X | X | X |
| 20 | S521-552 ② | Condenser Partition | X | X | X | X | X | X | X | X |
| 21 | FAD-NE3 | Fresh Air Damper Assembly | X | X | X | X | X | X | X | X |
| 22 | 118-103-* ① | Condenser Grille | X | X | X | X | X | X | X | X |
| 22 | 118-108 ② | Condenser Grille | X | X | X | X | X | X | X | X |
| 22 | 118-113 ③ | Condenser Grille | X | X | X | X | X | X | X | X |
| 23 | S553-523-* ① | Vent Option Door | X | X | X | X | X | X | X | X |
| 23 | S553-540-* ① | Vent Option Door with ERV | X | X | X | X | X | X | X | X |
| 23 | S553-665-* ① | Vent Option Door with CRV or ECON-S | X | X | X | X | X | X | X | X |
| 23 | S553-549 ② | Vent Option Door | X | X | X | X | X | X | X | X |
| 23 | S553-557 ② | Vent Option Door with ERV | X | X | X | X | X | X | X | X |
| 23 | S553-694 ② | Vent Option Door with CRV or ECON-S | X | X | X | X | X | X | X | X |
| 23 | S553-550 ③ | Vent Option Door | X | X | X | X | X | X | X | X |
| 23 | S553-558 ③ | Vent Option Door with ERV | X | X | X | X | X | X | X | X |
| 23 | S553-695 ③ | Vent Option Door with CRV or ECON-S | X | X | X | X | X | X | X | X |
| 24 | S553-524-* ① | Filter Door | X | X | X | X | X | X | X | X |
| 24 | S553-553 ② | Filter Door | X | X | X | X | X | X | X | X |
| 24 | S553-554 ③ | Filter Door | X | X | X | X | X | X | X | X |
| 25 | S514-241-* ① | Upper Front | X | X | X | X | X | X | X | X |
| 25 | S514-238 ② | Upper Front | X | X | X | X | X | X | X | X |
| 25 | S514-239 ③ | Upper Front | X | X | X | X | X | X | X | X |
| 26 | 121X467 | Blower Partition | X | X | X | X | X | X | X | X |
| 27 | 105X850 | Side Support | X | X | X | X | X | X | X | X |
| 28 | 137-685 | Bottom Evaporator Fill | X | X | | | X | X | | |
| 28 | 137-722 | Bottom Evaporator Fill | | | X | X | | | X | X |
| 29 | S501-934-* ① | Left Side | X | X | X | X | X | X | X | X |
| 29 | S501-995 ② | Left Side | X | X | X | X | X | X | X | X |
| 29 | S501-940 ③ | Left Side | X | X | X | X | X | X | X | X |
| 30 | 147-044 | Evaporator Support | X | X | X | X | X | X | X | X |
| 31 | S111X247 | Outlet Air Frame Assembly | X | X | X | X | X | X | X | X |
| 32 | 135X123 | Heat Shield | X | X | X | X | X | X | X | X |
| NS | 135-329 | Air Baffle | X | X | | | X | X | | |
| NS | 5252-033 | Bard Nameplate | X | X | X | X | X | X | X | X |

① Exterior cabinet parts are manufactured with various paint color options. To ensure the proper paint color is received, include the complete model and serial number of the unit for which cabinet parts are being ordered.

② Exterior cabinet parts are manufactured from stainless steel Code "S"

③ Exterior cabinet parts are manufactured from aluminum Code "A"

FUNCTIONAL COMPONENTS



FUNCTIONAL COMPONENTS - STANDARD

| Dwg No. | Part Number | Description | W30AB-A | W30AB-B | W30AB-C | W30AB-D | W30AB-F | W36AB-A | W36AB-B | W36AB-C | W36AB-D | W36AB-E | W36AB-F |
|---------|--------------|--|---------|---------|---------|---------|---------|---------|---------|---------|---------|---------|---------|
| 1 | S900-360-001 | Blower Assembly | X | X | | X | X | | | | | | |
| 1 | S900-361-001 | Blower Assembly | | | X | | | | | | | | |
| 1 | 900-360-002 | Blower Assembly | | | | | | X | X | | X | X | X |
| 1 | 900-361-002 | Blower Assembly | | | | | | | | X | | | |
| 2 | 917-0355BX | Evaporator Coil w/Distributor Assy. | X | X | X | X | X | | | | | | |
| 2 | 917-0356BX | Evaporator Coil - Coated w/Distributor Assy. | X | X | X | X | X | | | | | | |
| 2 | 917-0357BX | Evaporator Coil w/Distributor Assy. | | | | | | X | X | X | X | X | X |
| 2 | 917-0358BX | Evaporator Coil - Coated w/Distributor Assy. | | | | | | X | X | X | X | X | X |
| 3 | 800-0456 | Distributor Assembly | | | | | | X | X | X | X | X | X |
| 3 | 800-0479 | Distributor Assembly | X | X | X | X | X | | | | | | |
| 4 | 1171-023 | 1/4" Receptacle | X | X | X | X | X | X | X | X | X | X | X |
| 5 | 1171-024 | 1/4" Turn Retainer | X | X | X | X | X | X | X | X | X | X | X |
| 6 | 1171-022 | 1/4" Turn Fastener | X | X | X | X | X | X | X | X | X | X | X |
| 7 | 8103-029 | Condenser Motor | X | X | | X | X | X | | | X | X | X |
| 7 | 8103-030 | Condenser Motor | | | X | | | | | X | | | |
| 8 | 8200-001 | Fan Motor Mount | X | X | X | X | X | X | X | X | X | X | X |
| 8 | 8200-050 ① | Stainless Steel Fan Motor Mount | X | X | X | X | X | X | X | X | X | X | X |
| 9 | 5151-045 | Fan Blade | X | X | X | X | X | X | X | X | X | X | X |
| 9 | 5151C045 ① | Coated Fan Blade | X | X | X | X | X | X | X | X | X | X | X |
| 10 | CMC-31 | Dirty Filter Switch Kit | X | X | X | X | X | X | X | X | X | X | X |
| 11 | CMA-39 | Low Ambient Control (Screw On) ② | X | X | X | X | X | X | X | X | X | X | X |
| 12 | 8000-277 | Compressor | X | | | | | | | | | | |
| 12 | 8000-365 | Compressor | | X | | | | | | | | | |
| 12 | 8000-366 | Compressor | | | X | | X | | | | | | |
| 12 | 8000-438 | Compressor | | | | X | | | | | | | |
| 12 | 8000-278 | Compressor | | | | | X | | | | | | |
| 12 | 8000-283 | Compressor | | | | | | X | | | | X | |
| 12 | 8000-342 | Compressor | | | | | | | X | | | | X |
| 12 | 8000-439 | Compressor | | | | | | | | X | | | |
| 13 | 5051-203BX | Condenser Coil | X | X | X | X | X | | | | | | |
| 13 | 5054-203BX | Condenser Coil - Coated | X | X | X | X | X | | | | | | |
| 13 | 5051-202BX | Condenser Coil | | | | | | X | X | X | X | X | X |
| 13 | 5054-202BX | Condenser Coil - Coated | | | | | | X | X | X | X | X | X |
| 14 | 7004-019 | Air Filter 1" Throw-Away (16x30x1) | X | X | X | X | X | X | X | X | X | X | X |
| 14 | 7003-031 | Air Filter 1" Washable ② (16x30x1) | X | X | X | X | X | X | X | X | X | X | X |
| 14 | 7004-026 | Air Filter 2" Pleated ② (16x30x2) | X | X | X | X | X | X | X | X | X | X | X |
| 14 | 7004-048 | Air Filter 2" Pleated MERV 11 ② (16x30x2) | X | X | X | X | X | X | X | X | X | X | X |
| 14 | 7004-062 | Air Filter 2" Pleated MERV 13 ② (16x30x2) | X | X | X | X | X | X | X | X | X | X | X |
| NS | 8406-142 | High Pressure Switch (Screw On) | X | X | X | X | X | X | X | X | X | X | X |
| NS | 8406-140 | Low Pressure Switch (Screw On) | X | X | X | X | X | X | X | X | X | X | X |
| NS | 5201-021 | Filter Drier | X | X | X | X | X | X | X | X | X | X | X |
| NS | 5451-024 | Tubing Isolation Grommet | 2 | 2 | 2 | 2 | 2 | 2 | 2 | 2 | 2 | 2 | 2 |
| NS | 6031-009 | Coremax Valve Core | 2 | 2 | 2 | 2 | 2 | 2 | 2 | 2 | 2 | 2 | 2 |
| NS | 1171-028 | Filter Door Clip | 2 | 2 | 2 | 2 | 2 | 2 | 2 | 2 | 2 | 2 | 2 |
| NS | 1171-057 | Filter Door Screw | 2 | 2 | 2 | 2 | 2 | 2 | 2 | 2 | 2 | 2 | 2 |
| NS | 1171-027 | Filter Door Screw Retainer | 2 | 2 | 2 | 2 | 2 | 2 | 2 | 2 | 2 | 2 | 2 |

NS – Not Shown

① – Used with stainless steel cabinet option

② – Optional on these models

FUNCTIONAL COMPONENTS – DEHUMIDIFICATION

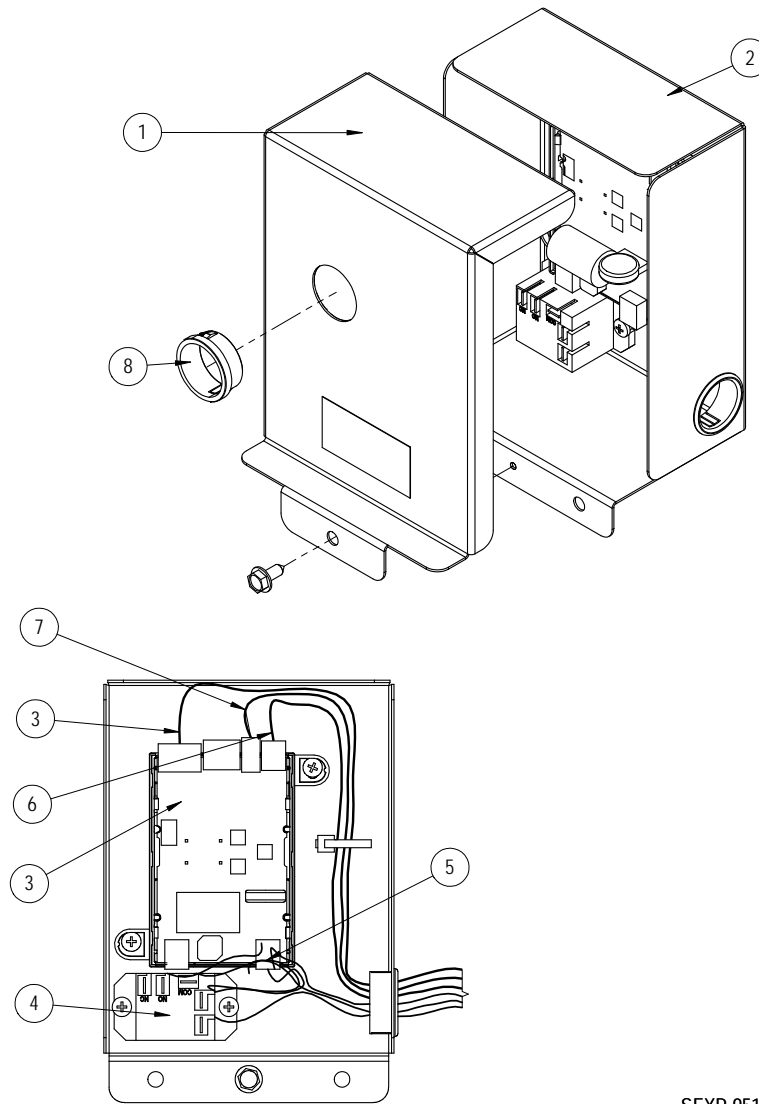
| Dwg No. | Part Number | Description | W30ABDA | W30ABDB | W30ABDC | W36ABDA | W36ABDB | W36ABDC |
|---------|---------------|--|---------|---------|---------|---------|---------|---------|
| 1 | S900-360-001 | Blower Assembly | X | X | | | | |
| 1 | S900-361-001 | Blower Assembly | | | X | | | |
| 1 | 900-360-002 | Blower Assembly | | | | X | X | |
| 1 | 900-361-002 | Blower Assembly | | | | | | X |
| 2 | 917-0364BX | Evaporator Coil w/Distributor Assy. | X | X | X | | | |
| 2 | 917-0365BX | Evaporator Coil - Coated w/Distributor Assy. | X | X | X | | | |
| 2 | 917-0359BX | Evaporator Coil w/Distributor Assy. | | | | X | X | X |
| 2 | 917-0360BX | Evaporator Coil - Coated w/Distributor Assy. | | | | X | X | X |
| 3 | 800-0460 | Distributor Assembly | X | X | X | X | X | X |
| 3 | 5651S245 | Electronic Expansion Valve | X | X | X | X | X | X |
| 3 | 905-0732 | Electronic Expansion Valve Assembly | X | X | X | X | X | X |
| 4 | 1171-023 | 1/4" Receptacle | X | X | X | X | X | X |
| 5 | 1171-024 | 1/4" Turn Retainer | X | X | X | X | X | X |
| 6 | 1171-022 | 1/4" Turn Fastener | X | X | X | X | X | X |
| 7 | 8103-029 | Condenser Motor | X | X | | X | X | |
| 7 | 8103-030 | Condenser Motor | | | X | | | X |
| 8 | 8200-001 | Fan Motor Mount | X | X | X | X | X | X |
| 8 | 8200-050 ① | Stainless Steel Fan Motor Mount | X | X | X | X | X | X |
| 9 | 5151-045 | Fan Blade | X | X | X | X | X | X |
| 9 | 5151C045 ① | Coated Fan Blade | X | X | X | X | X | X |
| 10 | CMC-31 | Dirty Filter Switch Kit | X | X | X | X | X | X |
| 11 | CMA-39 | Low Ambient Control (Flare) ② | X | X | X | X | X | X |
| 12 | 8000-277 | Compressor | X | | | | | |
| 12 | 8000-365 | Compressor | | X | | | | |
| 12 | 8000-366 | Compressor | | | X | | | |
| 12 | 8000-278 | Compressor | | | | X | | |
| 12 | 8000-283 | Compressor | | | | | X | |
| 12 | 8000-342 | Compressor | | | | | | X |
| 13 | 5051-203BX | Condenser Coil | X | X | X | | | |
| 13 | 5054-203BX | Condenser Coil - Coated | X | X | X | | | |
| 13 | 5051-202BX | Condenser Coil | | | | X | X | X |
| 13 | 5054-202BX | Condenser Coil - Coated | | | | X | X | X |
| 14 | 7004-019 | Air Filter 1" Throw-Away (16x30x1) | X | X | X | X | X | X |
| 14 | 7003-031 | Air Filter 1" Washable ② (16x30x1) | X | X | X | X | X | X |
| 14 | 7004-026 | Air Filter 2" Pleated ② (16x30x2) | X | X | X | X | X | X |
| 14 | 7004-048 | Air Filter 2" Pleated MERV 11 ② (16x30x2) | X | X | X | X | X | X |
| 14 | 7004-062 | Air Filter 2" Pleated MERV 13 ② (16x30x2) | X | X | X | X | X | X |
| 15 | S910-2050-001 | EEV Controller Assembly (see page 7 for breakdown) | X | X | X | X | X | X |
| NS | 8406-142 | High Pressure Switch (Flare) | X | X | X | X | X | X |
| NS | 8406-140 | Low Pressure Switch (Flare) | X | X | X | X | X | X |
| NS | 8406-158 | Low Pressure Transducer | X | X | X | X | X | X |
| NS | 3000-1603 | Transducer Wire Assembly - Transducer to QC | X | X | X | X | X | X |
| NS | 5201-021 | Filter Drier | X | X | X | X | X | X |
| NS | 5650-051 | Dehumidification Valve | X | X | X | X | X | X |
| NS | 5651-219 | Check Valve | X | X | X | X | X | X |
| NS | 5451-024 | Tubing Isolation Grommet | 2 | 2 | 2 | 2 | 2 | 2 |
| NS | 6031-009 | Coremax Valve Core | 2 | 2 | 2 | 2 | 2 | 2 |
| NS | 1171-028 | Filter Door Clip | 2 | 2 | 2 | 2 | 2 | 2 |
| NS | 1171-057 | Filter Door Screw | 2 | 2 | 2 | 2 | 2 | 2 |
| NS | 1171-027 | Filter Door Screw Retainer | 2 | 2 | 2 | 2 | 2 | 2 |

NS – Not Shown

① – Used with stainless steel cabinet option

② – Optional on these models

EEV CONTROLLER ASSEMBLY

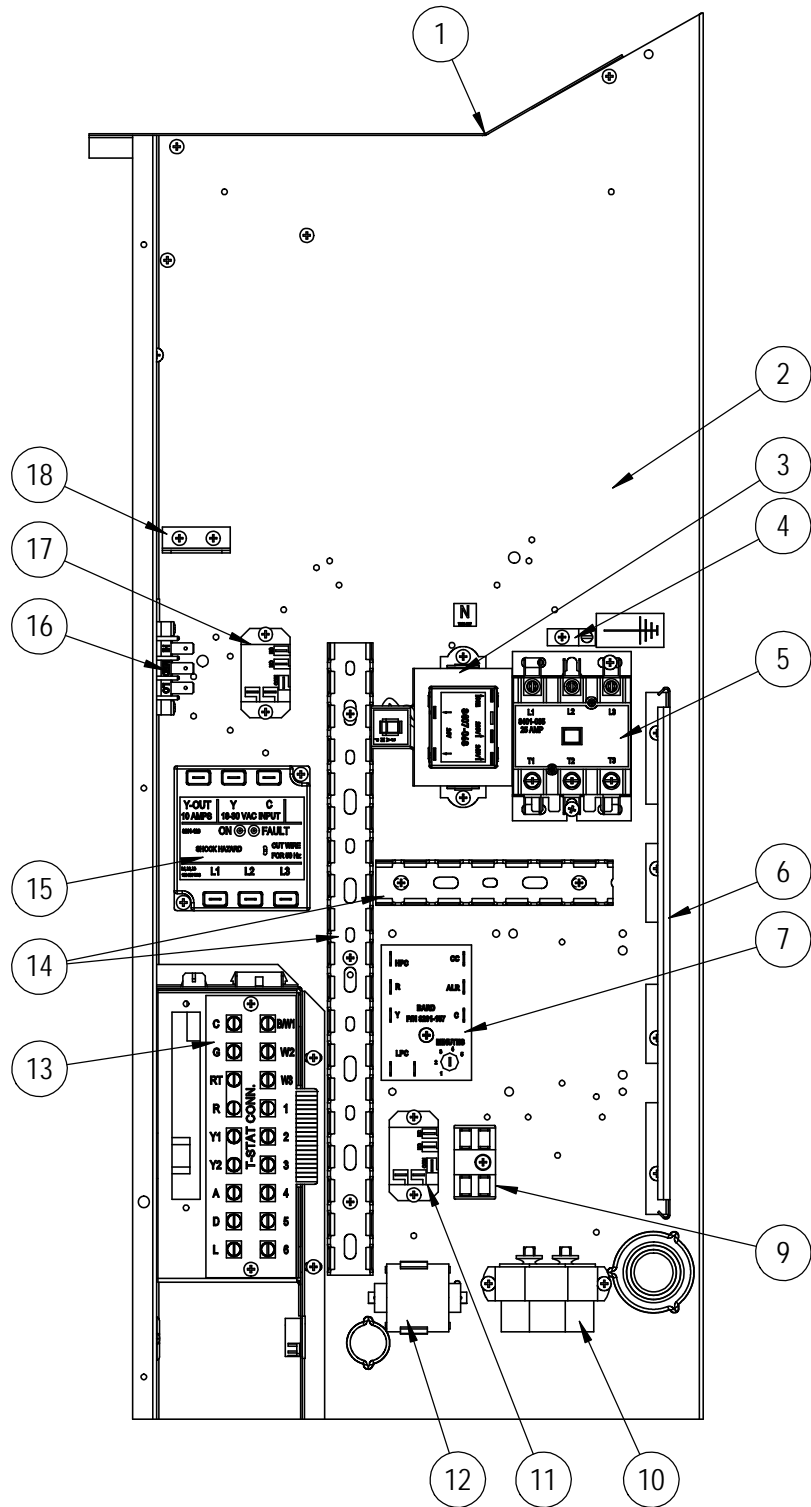


SEXP-951

S910-2050-001

| Dwg No. | Part Number | Description | |
|---------|----------------|--|---|
| 1 | 143-219 | EEV Control Box Cover | X |
| 2 | 127-572 | EEV Control Box | X |
| 3 | S8301-079-0001 | EEV Control Module & Stator Cable | X |
| 3 | 5651-246 | EEV Stator Cable Only | X |
| 4 | 8201-130 | Control Relay | X |
| 5 | 3000-1602 | Main Wire Assembly | X |
| 6 | 3000-1611 | Transducer Wire Assembly – EEV Board to QC | X |
| 7 | 8408-056 | EEV Thermistor | X |
| 8 | 8611-075 | Clear Snap Plug | X |

CONTROL PANEL



SEXP-908

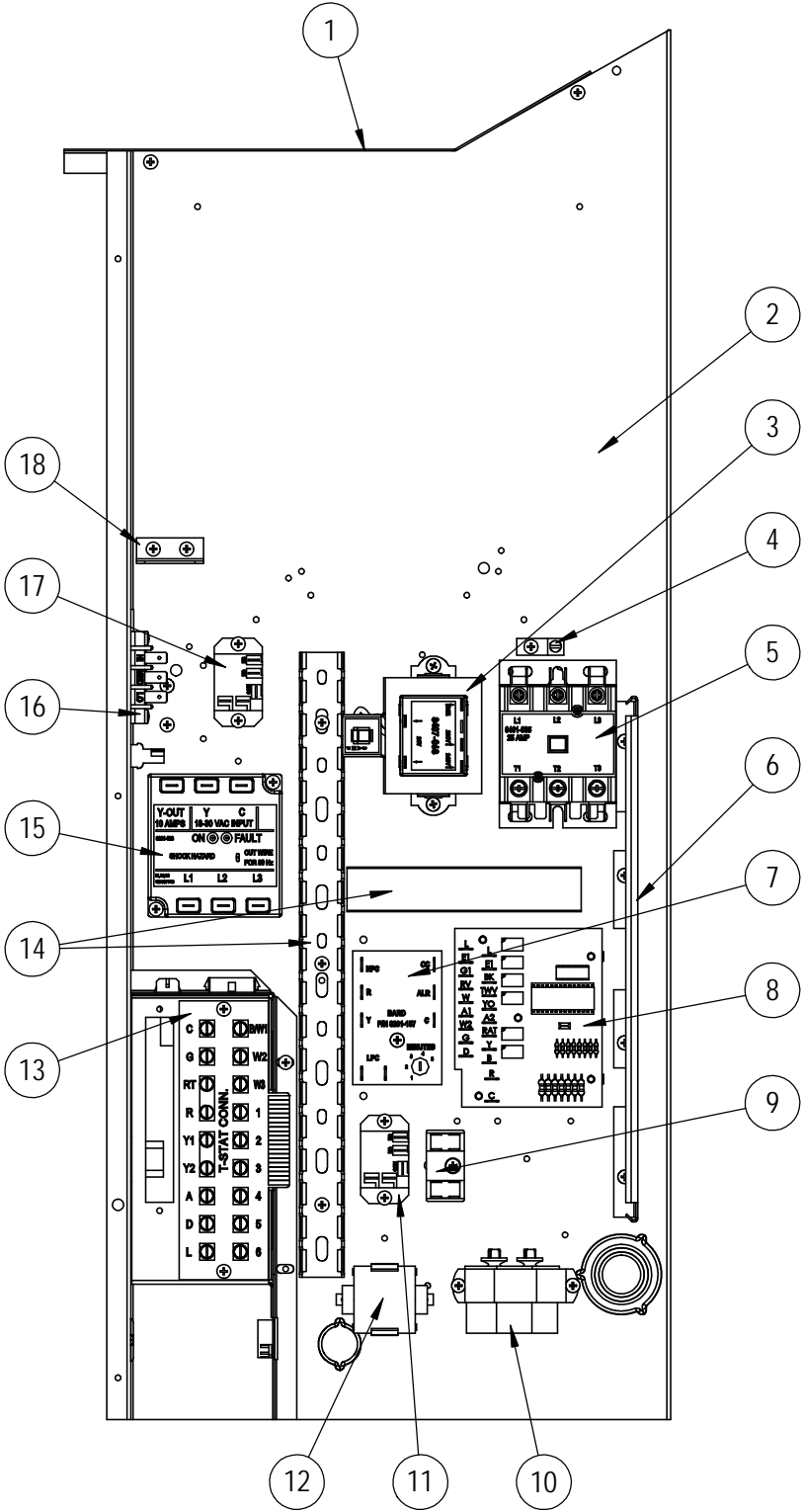
CONTROL PANEL - STANDARD

| Dwg No. | Part Number | Description | W30AB-A | W30AB-B | W30AB-C | W30AB-D | W30AB-F | W36AB-A | W36AB-B | W36AB-C | W36AB-D | W36AB-E | W36AB-F |
|---------|---------------|--|---------|---------|---------|---------|---------|---------|---------|---------|---------|---------|---------|
| 1 | 117X137 | Control Panel Top | X | X | X | X | X | X | X | X | X | X | X |
| 2 | 117X407 | Control Panel | X | X | X | X | X | X | X | X | X | X | X |
| 3 | 8407-068 | Transformer | X | X | | X | X | X | | | X | X | X |
| 3 | 8407-069 | Transformer | | | X | | | | | X | | | |
| 4 | 8611-006 | Ground Terminal | X | X | X | X | X | X | X | X | X | X | X |
| 5 | 8401-033 | Compressor Contactor | X | | | X | | X | | | X | | |
| 5 | 8401-035 | Compressor Contactor | | X | X | | X | | X | X | | X | X |
| 6 | 135-122 | Wire Shield | X | X | X | X | X | X | X | X | X | X | X |
| 7 | 8201-164 | Compressor Control Module | X | X | X | X | X | X | X | X | X | X | X |
| 9 | 8607-017 | Terminal Block (Optional) | X | X | X | X | X | X | X | X | X | X | X |
| 10 | 8552-052 | Compressor Capacitor | X | | | | | X | | | | | |
| 10 | 8552-002 | Outdoor Motor Capacitor | | X | X | | X | | X | X | | X | X |
| 10 | 8552-062 | Compressor Capacitor | | | | X | | | | | X | | |
| 11 | 8201-130 | Alarm Relay (Optional) | X | X | X | X | X | X | X | X | X | X | X |
| 12 | 8551-004 | Start Device (PTCR) (Optional) | X | | | X | | X | | | X | | |
| 13 | 8607-063 | Low Voltage Terminal Strip | X | X | X | X | X | X | X | X | X | X | X |
| 14 | 8611-140-1400 | Cable Duct – 14" Piece | X | X | X | X | X | X | X | X | X | X | X |
| 14 | 8611-140-0500 | Cable Duct – 5" Piece | X | X | X | X | X | X | X | X | X | X | X |
| 15 | 8201-126 | Phase Monitor | | X | X | | X | | X | X | | X | X |
| 16 | 8607-042 | Blower Speed Terminal | X | X | X | X | X | X | X | X | X | X | X |
| 17 | 8201-130 | Blower Control Relay | X | X | X | X | X | X | X | X | X | X | X |
| 18 | 141-188 | Plug Support Bracket | X | X | X | X | X | X | X | X | X | X | X |
| NS | 8615-038 | Circuit Breaker 35A 2 Pole (Opt.) ① | X | | | | | X | | | X | | |
| NS | 8615-054 | Circuit Breaker 20A 3 Pole (Opt.) ① | | X | | | | | | | | | |
| NS | 8615-052 | Circuit Breaker 30A 3 Pole (Opt.) ① | | | | X | | | X | | | X | |
| NS | 8615-067 | Toggle Disconnect (Optional) ① | | | X | | X | | | X | | | X |
| NS | 8607-013 | Terminal Block 2 Pole | | | | | X | | | | | | X |
| NS | 113-601 | Terminal Block Bracket | | | | | X | | | | | | X |
| NS | 4095-196 | Wiring Diagram | X | | | X | | X | | | X | | |
| NS | 4095-296 | Wiring Diagram | | X | | | | | X | | | X | |
| NS | 4095-378 | Wiring Diagram | | | X | | | | | X | | | |
| NS | 4095-640 | Wiring Diagram | | | | | X | | | | | | X |
| NS | 3000-1598 | Blower Power Plug | X | X | X | X | X | X | X | X | X | X | X |
| NS | 3000-1599 | Blower Speed Plug | X | X | X | X | X | X | X | X | X | X | X |
| NS | 3000-1524 | Vent Jumper Plug | X | X | X | X | X | X | X | X | X | X | X |
| NS | 3000-1224 | Compressor Plug/Harness | X | | | X | | X | | | X | | |
| NS | 3000-1231 | Compressor Plug/Harness | | X | X | | X | | X | X | | X | X |
| NS | 3003-047 | Control Panel Harness | X | | | X | | X | | | X | | |
| NS | 3003-048 | Control Panel Harness | | X | X | | | X | X | | | X | |
| NS | 3003-049 | Control Panel Harness | | | | | X | | | | | | X |
| NS | 3000-1608 | Low Voltage Terminal Block Harness | X | X | X | X | X | X | X | X | X | X | X |
| NS | S910-2047 | Complete Low Voltage Box Assembly (Sheet Metal, LVTS & Wire Harness) | X | X | X | X | X | X | X | X | X | X | X |

NS = Not Shown

① Circuit breakers listed are for units without electric heat, "OZ" models. See heater replacement parts manual for units with electric heat.

CONTROL PANEL



SEXP-948

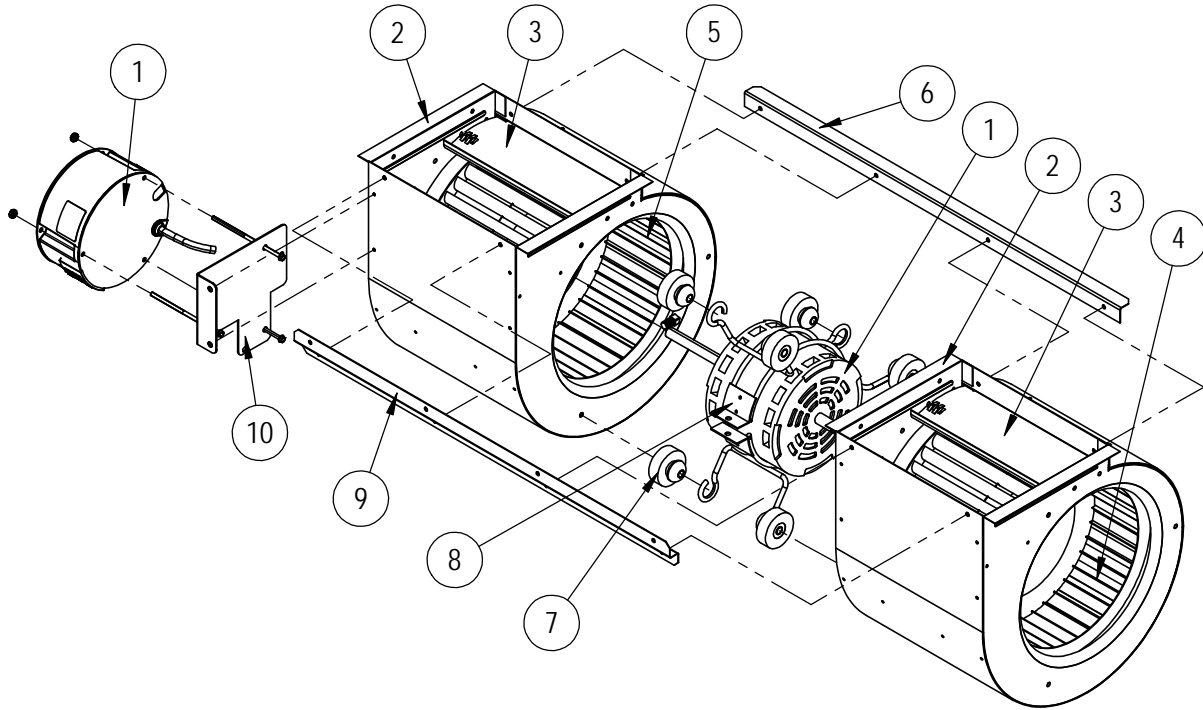
CONTROL PANEL – DEHUMIDIFICATION

| Dwg No. | Part Number | Description | W30ABDA | W30ABDB | W30ABDC | W36ABDA | W36ABDB | W36ABDC |
|---------|---------------|--|---------|---------|---------|---------|---------|---------|
| 1 | 117X137 | Control Panel Top | X | X | X | X | X | X |
| 2 | 117-407 | Control Panel | X | X | X | X | X | X |
| 3 | 8407-068 | Transformer | X | X | | X | X | |
| 3 | 8407-069 | Transformer | | | X | | | X |
| 4 | 8611-006 | Ground Terminal | X | X | X | X | X | X |
| 5 | 8401-033 | Compressor Contactor | X | | | X | | |
| 5 | 8401-035 | Compressor Contactor | | X | X | | X | X |
| 6 | 135-122 | Wire Shield | X | X | X | X | X | X |
| 7 | 8201-164 | Compressor Control Module | X | X | X | X | X | X |
| 8 | 8201-113 | Dehum. Logic Control | X | X | X | X | X | X |
| 9 | 8607-017 | Terminal Block (Optional) | X | X | X | X | X | X |
| 10 | 8552-052 | Compressor Capacitor | X | | | X | | |
| 10 | 8552-002 | Outdoor Motor Capacitor | | X | X | | X | X |
| 11 | 8201-130 | Dehumidification Control Relay | X | X | X | X | X | X |
| 12 | 8551-004 | Start Device (PTCR) (Optional) | X | | | X | | |
| 13 | 8607-063 | Low Voltage Terminal Strip | X | X | X | X | X | X |
| 14 | 8611-140-1400 | Cable Duct – 14" Piece | X | X | X | X | X | X |
| 14 | 8611-140-0500 | Cable Duct – 5" Piece | X | X | X | X | X | X |
| 15 | 8201-126 | Phase Monitor | | X | X | | X | X |
| 16 | 8607-042 | Blower Speed Terminal | X | X | X | X | X | X |
| 17 | 8201-130 | Blower Control Relay | X | X | X | X | X | X |
| 18 | 141-188 | Plug Support Bracket | X | X | X | X | X | X |
| NS | 8615-038 | Circuit Breaker 35A 2 Pole (Optional) ① | X | | | X | | |
| NS | 8615-054 | Circuit Breaker 20A 3 Pole (Optional) ① | | X | | | | |
| NS | 8615-052 | Circuit Breaker 30A 3 Pole (Optional) ① | | | | | X | |
| NS | S8615-067 | Toggle Disconnect (Optional) ① | | | X | | | X |
| NS | 4095-198 | Wiring Diagram | X | | | X | | |
| NS | 4095-297 | Wiring Diagram | | X | | | X | |
| NS | 4095-379 | Wiring Diagram | | | X | | | X |
| NS | 3000-1598 | Blower Power Plug | X | X | X | X | X | X |
| NS | 3000-1599 | Blower Speed Plug | X | X | X | X | X | X |
| NS | 3000-1524 | Vent Jumper Plug | X | X | X | X | X | X |
| NS | 3000-1224 | Compressor Plug/Harness | X | | | X | | |
| NS | 3000-1231 | Compressor Plug/Harness | | X | X | | X | X |
| NS | 3003-050 | Control Panel Harness | X | | | X | | |
| NS | 3003-051 | Control Panel Harness | | X | X | | X | X |
| NS | 3000-1608 | Low Voltage Terminal Block Harness | X | X | X | X | X | X |
| NS | S910-2047 | Complete Low Voltage Box Assembly (Sheet Metal, LVTS & Wire Harness) | X | X | X | X | X | X |

NS = Not Shown

① Circuit breakers listed are for units without electric heat, "OZ" models. See heater replacement parts manual for units with electric heat.

BLOWER ASSEMBLY



SEXP-909

| Dwg No. | Part Number | Description | S900-360-001 | S900-360-002 | S900-361-001 | S900-361-002 |
|---------|----------------|------------------------------------|--------------|--------------|--------------|--------------|
| 1 | S8106-068-0150 | Blower Motor & Control (230/208V) | X | | | |
| 1 | S8106-068-0152 | Blower Motor & Control (230/208V) | | X | | |
| 1 | S8106-069-0151 | Blower Motor & Control (460V) | | | X | |
| 1 | S8106-069-0153 | Blower Motor & Control (460V) | | | | X |
| 1 | C8106-068-0150 | Programmed Control Only (230/208V) | 0 | | | |
| 1 | C8106-068-0152 | Programmed Control Only (230/208V) | | 0 | | |
| 1 | C8106-069-0151 | Programmed Control Only (460V) | | | 0 | |
| 1 | C8106-069-0153 | Programmed Control Only (460V) | | | | 0 |
| 2 | 151-111 | Housing | 2 | 2 | 2 | 2 |
| 3 | 144-174 | Diffuser | 2 | 2 | 2 | 2 |
| 4 | 5152-090 | Wheel CW | X | X | X | X |
| 5 | 5152-091 | Wheel CCW | X | X | X | X |
| 6 | 105-870 | Back Brace | X | X | X | X |
| 7 | 5451-011 | Grommets | 6 | 6 | 6 | 6 |
| 8 | 8200-031 | Motor Mount | X | X | X | X |
| 9 | 103-401 | Front Brace | X | X | X | X |
| 10 | 113-721 | Motor Control Bracket | X | X | X | X |