
REPLACEMENT PARTS MANUAL

WALL MOUNTED PACKAGED AIR CONDITIONER

Models:

W12AB-A W12AB-D W12AB-K

General Notes

- Revised and/or additional pages may be issued from time to time.
- A complete and current manual consists of pages shown in the following contents section.

Important

- Contact the installing and/or local Bard distributor for all parts requirements. Make sure to have the complete model and serial number available from the unit rating plates.

Contents

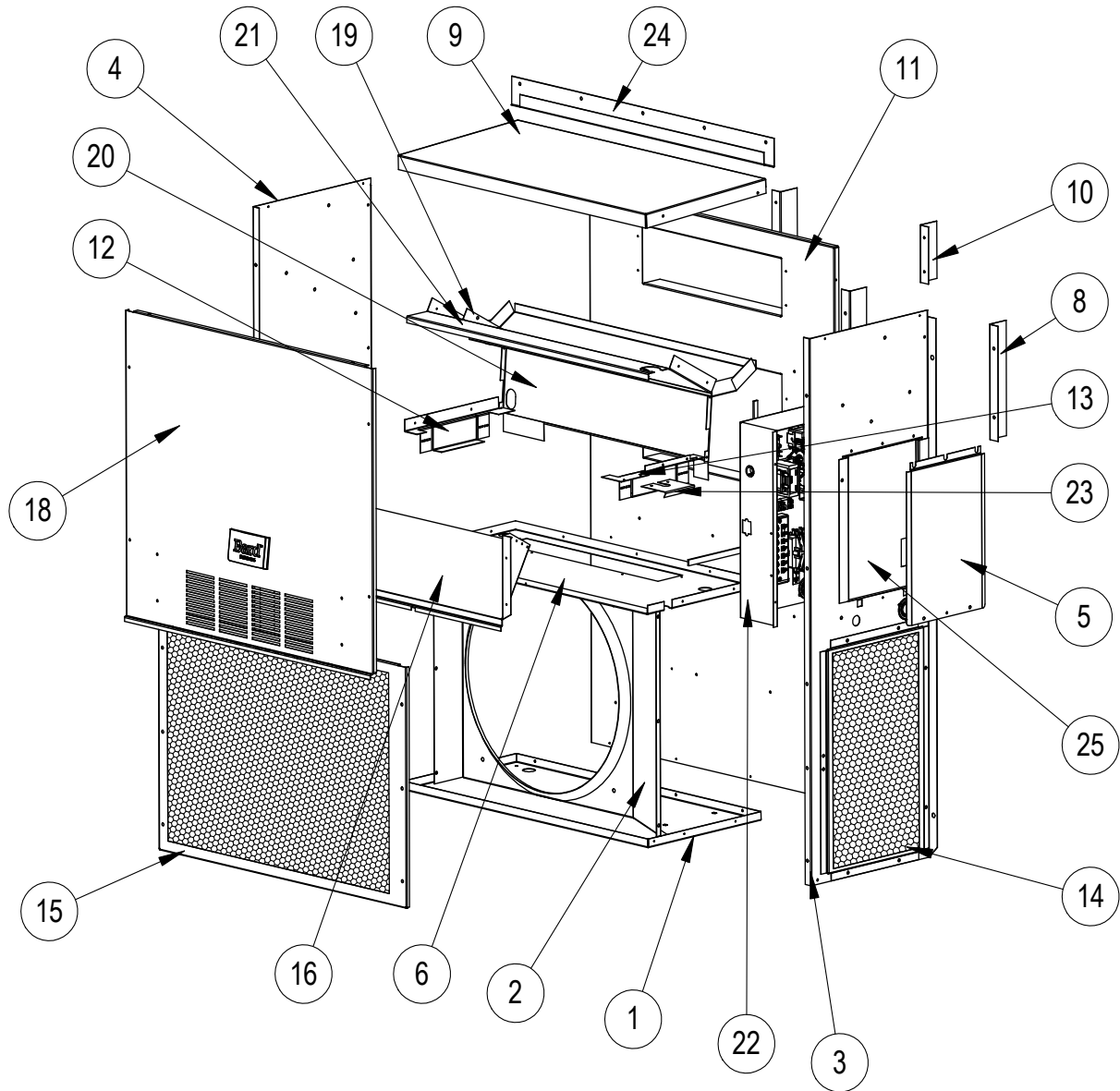
| Description | Page |
|--|------|
| Cabinet Components | |
| ♦ Exploded View..... | 2 |
| ♦ Usage List | 3 |
| Functional Components | |
| ♦ Exploded View..... | 4 |
| ♦ Usage List | 5 |
| Control Panel (Circuit Breaker Option) | |
| ♦ Layout View | 6 |
| ♦ Usage List | 7 |
| Blower Assembly | |
| ♦ Exploded View..... | 8 |
| ♦ Usage List | 8 |



Bard Manufacturing Company, Inc.
Bryan, Ohio 43506
www.bardhvac.com

Manual: 2110-1460A
Supersedes: 2110-1460
Date: 1-8-20

CABINET COMPONENTS



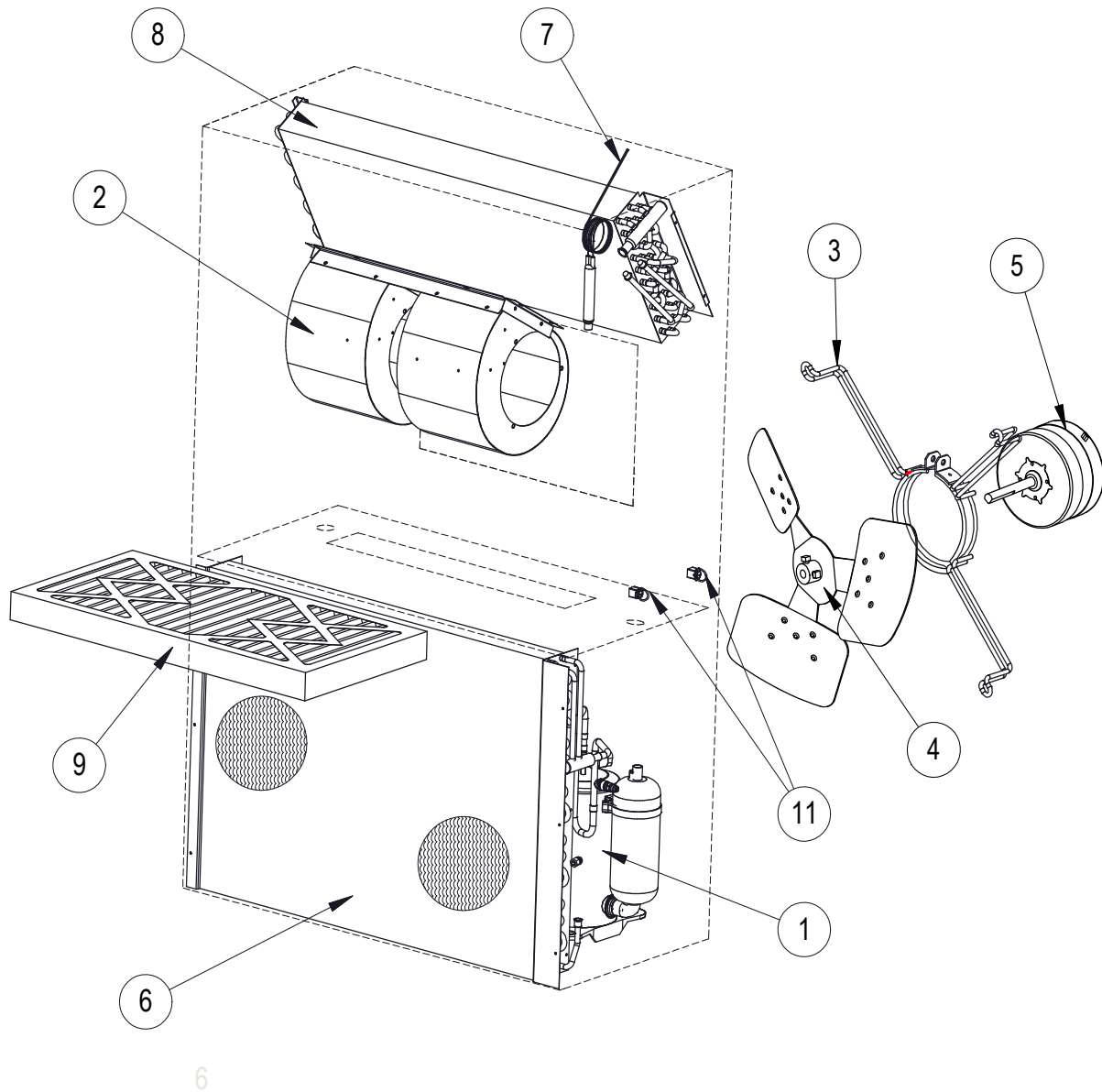
SEXP-724

CABINET COMPONENTS

| Drawing No. | Part No. | Description | W12AB-A | W12AB-D | W12AB-K |
|-------------|------------------------|---|---------|---------|---------|
| | | | | | |
| 1 | S127-491 | Lower Base | X | | |
| 2 | 125-071 | Fan Shroud | X | | |
| 3 | S501-867-* ① | Right Side | X | | |
| 4 | S501-868-* ① | Left Side | X | | |
| 5 | S133-264-* ① | Control Panel Cover (Outer) | X | | |
| 6 | 520-243 | Condenser Partition | X | | |
| 8 | 111-214 | Return Air Frame Angle | | 2 | |
| 9 | 506-148-* ① | Top | X | | |
| 10 | 111-036 | Outlet Air Frame Angle | | 2 | |
| 11 | 509-325 | Back | X | | |
| 12 | 113-529 | Left Filter Bracket | X | | |
| 13 | 113-532 | Right Filter Bracket | X | | |
| 14 | 118-095-* ① | Side Grille | | 2 | |
| 15 | 118-096-* ① | Condenser Grille | X | | |
| 16 | BFAD-1 | Fresh Air Damper Assembly | X | | |
| 18 | S514-295-* ① | Upper Front | X | | |
| 19 | 113-176 | Heater Bracket | X | | |
| 20 | 121-504 | Return Partition | X | | |
| 21 | 121-602 | Drain Pan | X | | |
| 22 | Control Panel Assembly | See Control Panel Assembly Drawing and Parts List | | X | |
| 23 | 135-138 | Fill Plate | X | | |
| 24 | 113-178-* ① | Top Rain Flashing | X | | |
| 25 | 133-263-* ① | Control Panel Cover (Inner) | X | | |
| 26 | 110-214 | Return Flange | X | | |

① Exterior cabinet parts are manufactured with various paint color options. To ensure the proper paint color is received, reference the following codes: Beige -X, White -1, Buckeye Gray -4, Desert Brown -5, Dark Bronze -8

FUNCTIONAL COMPONENTS



SEXP-725

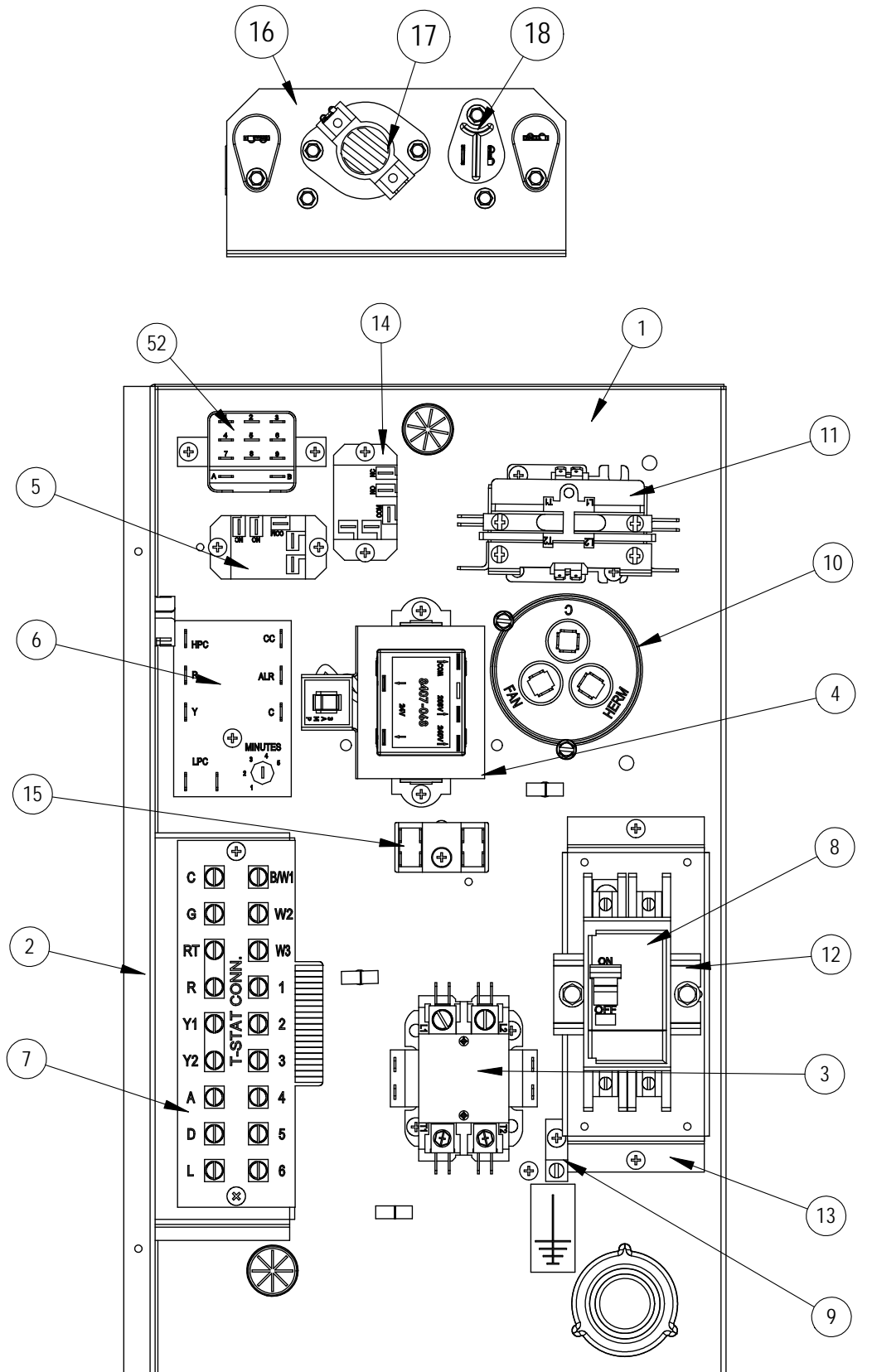
FUNCTIONAL COMPONENTS

| Drawing No. | Part No. | Description | W12AB-A | W12AB-K | W12AB-D |
|-------------|------------|---|---------|---------|---------|
| 1 | S8000-406 | Compressor | X | | |
| 1 | S8000-407 | Compressor | | X | |
| 1 | S8000-408 | Compressor | | | X |
| 2 | 900-374 | Blower Assembly 240V | X | | X |
| 2 | 900-379 | Blower Assembly 115V | | X | |
| 3 | 8200-001 | Fan Motor Mount | X | X | X |
| 4 | 5151-059 | Fan Blade | X | X | X |
| 5 | 8101-031 | Condenser Motor 240V | X | | X |
| 5 | 8101-032 | Condenser Motor 115V | | X | |
| 6 | 5051-194BX | Condenser Coil | X | X | X |
| 7 | 800-0442 | Cooling Capillary Assembly | X | | X |
| 7 | 800-0493 | Cooling Capillary Assembly | | X | |
| 8 | 5060-193BX | Evaporator Coil | X | X | X |
| 9 | 7003-073 | Air Filter 1" Washable | X | X | X |
| 9 | 7004-056 | Air Filter 1" Throw Away | X | X | X |
| 9 | 7004-057 | Air Filter 2" Pleated ① | X | X | X |
| 11 | 1171-066 | #82 1/4 Turn Fastener | X | X | X |
| 11 | 1171-065 | #82 Receptacle | X | X | X |
| 11 | 1171-064 | Retainer Clip | X | X | X |
| NS | 8406-141 | High Pressure Switch (Screw On) | X | X | X |
| NS | 8406-140 | Low Pressure Switch (Screw On) | X | X | X |
| NS | CMA-39 | Low Ambient Control Service Kit (Flare) ① | X | X | X |
| NS | 8402-185 | Compressor Overload | X | | |
| NS | 8402-186 | Compressor Overload | | X | |
| NS | 8402-187 | Compressor Overload | | | X |
| NS | 5201-021 | Filter Drier | X | X | X |
| NS | 6031-009 | Coremax Valve Core | X | X | X |

NS – Not Shown

① – Optional on these models

CONTROL PANEL (CIRCUIT BREAKER OPTION)



SEXP-998 A

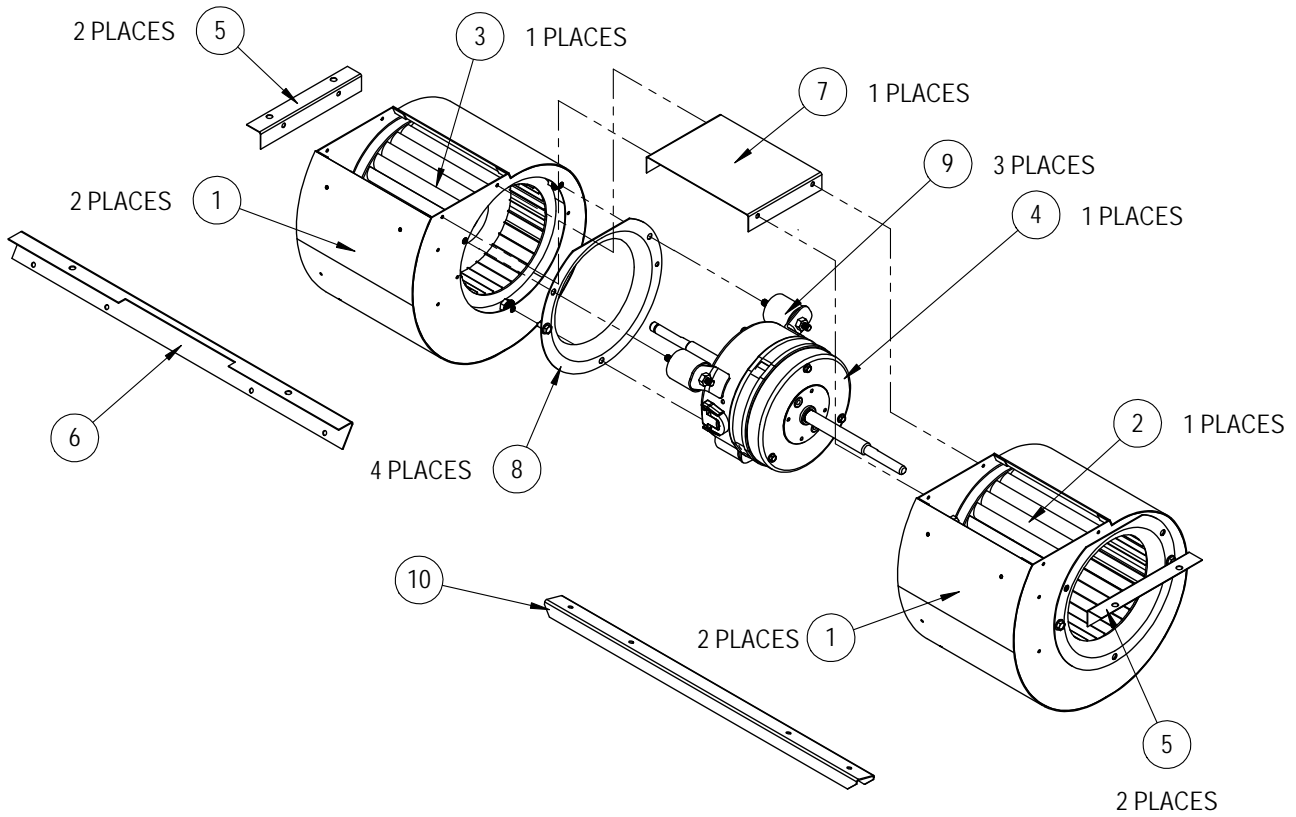
CONTROL PANEL (CIRCUIT BREAKER OPTION)

| Drawing No. | Part No. | Description | W12AB-A0Z | W12AB-A03 | W12AB-A05 | W12AB-K00 | W12AB-K02 | W12AB-D0Z | W12AB-D03 |
|-------------|-----------|---|-----------|-----------|-----------|-----------|-----------|-----------|-----------|
| 1 | 117-415 | Control Panel | X | X | X | X | X | X | X |
| 2 | 117-416 | Low Voltage Box | X | X | X | X | X | X | X |
| 3 | 8401-033 | Compressor Contactor | X | X | X | X | X | X | X |
| 4 | 8407-034 | Transformer | X | X | X | | | X | X |
| 4 | 8407-045 | Transformer | | | | X | X | | |
| 5 | 8201-130 | Blower Control Relay | X | X | X | X | X | X | X |
| 6 | S8201-164 | Compressor Control Module | X | X | X | X | X | X | X |
| 7 | 8607-063 | Low Voltage Terminal Strip | X | X | X | X | X | X | X |
| 8 | 8615-060 | Circuit Breaker 15A 2 pole 240V | X | | | | | X | |
| 8 | 8615-035 | Circuit Breaker 20A 2 pole 240V | | X | | | | | X |
| 8 | 8615-037 | Circuit Breaker 30A 2 pole 240V | | | X | | | | |
| 9 | S8611-006 | Ground Terminal | X | X | X | X | X | X | X |
| 10 | 8552-050 | Compressor Capacitor | X | X | X | | | | |
| 10 | 8552-062 | Compressor Capacitor | | | | X | X | | |
| 10 | 8552-049 | Compressor Capacitor | | | | | | X | X |
| 11 | 8401-006 | Heat Contactor | | X | X | | X | | X |
| 12 | 8611-210 | DIN Rail | X | X | X | X | X | X | X |
| 13 | 127-546 | Circuit Breaker Offset | X | X | X | X | X | X | X |
| 14 | 8201-130 | Alarm Relay ① | X | X | X | X | X | X | X |
| 15 | 8607-017 | Terminal Block ① (Shown) | X | X | X | X | X | X | X |
| 16 | 8604-156 | Heat Strip 3KW with Limit and Thermal Cut Off | | X | | | | | X |
| 16 | 8604-157 | Heat Strip 5KW with Limit and Thermal Cut Off | | | X | | | | |
| 16 | 8604-158 | Heat Strip 2KW with Limit and Thermal Cut Off | | | | | X | | |
| 17 | 8402-188 | Limit | | X | | | | | X |
| 17 | 8402-074 | Limit | | | X | | | | |
| 17 | 8402-205 | Limit | | | | | X | | |
| 18 | 8402-202 | Thermal Cut Off | | X | | | | | X |
| 18 | 8402-204 | Thermal Cut Off | | | X | | | | |
| 18 | 8402-203 | Thermal Cut Off | | | | | X | | |
| 19 | 8201-159 | Blower Control Relay | X | X | X | X | X | X | X |
| NS | 4213-101 | Wiring Diagram | X | | | | | X | |
| NS | 4213-102 | Wiring Diagram | | X | X | | | | X |
| NS | 4213-105 | Wiring Diagram | | | | X | | | |
| NS | 4213-106 | Wiring Diagram | | | | | X | | |

NS – Not Shown

① – Optional on these models

BLOWER ASSEMBLY



SEXP-999

| Drawing No. | Part No. | Description | 900-374 | 900-379 |
|-------------|----------|------------------------|---------|---------|
| 1 | 151-114 | Blower Housing * | X | X |
| 2 | 5152-084 | Wheel (CW) Right | X | X |
| 3 | 5152-085 | Wheel (CCW) Left | X | X |
| 4 | 8101-030 | Blower Motor (230/208) | X | |
| 4 | 8101-033 | Blower Motor (115) | | X |
| 5 | 105-908 | Side Angle | 2 | 2 |
| 6 | 105-1473 | Front Brace | X | X |
| 7 | 141-507 | Center Blower Support | X | X |
| 8 | 144-180 | Inlet Ring | 4 | 4 |
| 9 | 5451-033 | Mounting Grommet | 3 | 3 |
| 10 | 164-614 | Blower Support Channel | X | X |

* Replace with new rings