
REPLACEMENT PARTS MANUAL

Wall Mounted Packaged Air Conditioner

Models:

W12AB-A W12AB-D W12AB-K

General Notes

- Revised and/or additional pages may be issued from time to time.
- A complete and current manual consists of pages shown in the following contents section.

Important

- Contact the installing and/or local Bard distributor for all parts requirements. Make sure to have the complete model and serial number available from the unit rating plates.

Contents

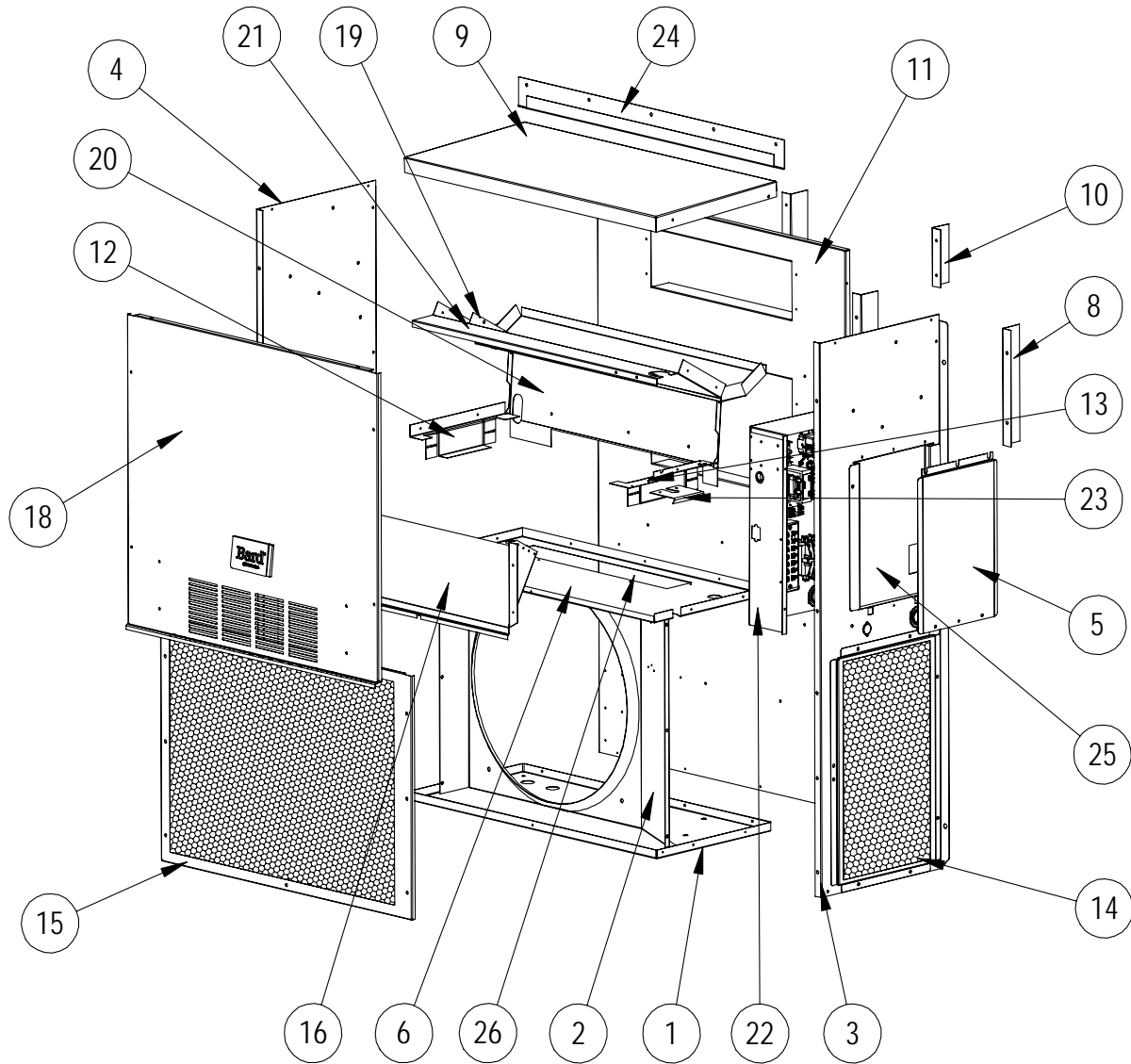
Description	Page
Cabinet Components	
♦ Exploded View.....	2
♦ Usage List	3
Functional Components	
♦ Exploded View.....	4
♦ Usage List	5
Control Panel (Circuit Breaker Option)	
♦ Layout View	6
♦ Usage List	7
Blower Assembly	
♦ Exploded View.....	8
♦ Usage List	8



Bard Manufacturing Company, Inc.
Bryan, Ohio 43506
www.bardhvac.com

Manual: 2110-1460D
Supersedes: 2110-1460C
Date: 12-17-20

CABINET COMPONENTS



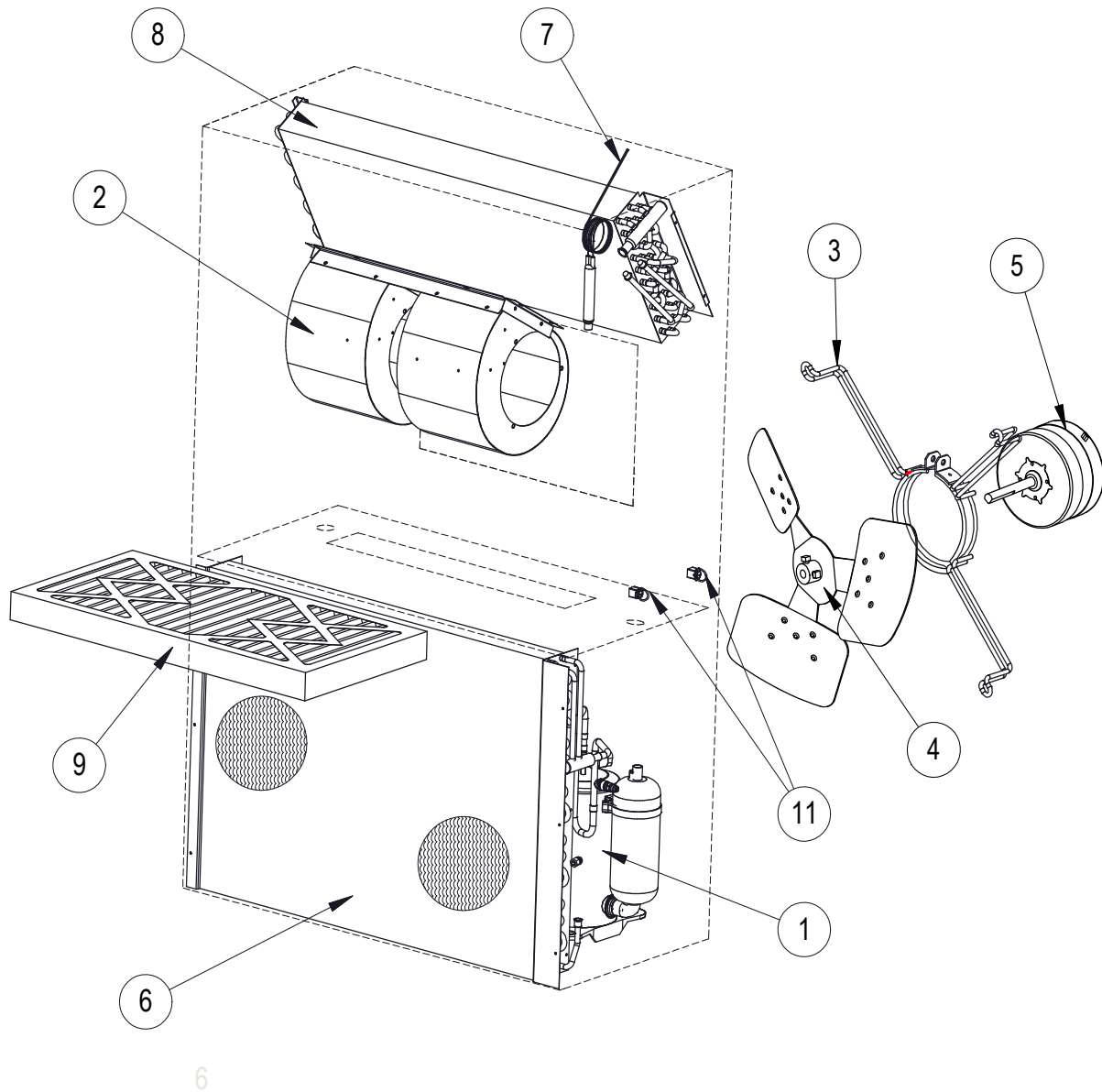
SEXP-724 A

CABINET COMPONENTS

Drawing No.	Part No.	Description	W12AB-A	W12AB-D	W12AB-K
1	S127-491	Lower Base	X		
2	125-071	Fan Shroud	X		
3	S501-867-* ①	Right Side	X		
4	S501-868-* ①	Left Side	X		
5	S133-264-* ①	Control Panel Cover (Outer)	X		
6	520-243	Condenser Partition	X		
8	111-214	Return Air Frame Angle		2	
9	506-148-* ①	Top	X		
10	111-036	Outlet Air Frame Angle		2	
11	509-325	Back	X		
12	113-529	Left Filter Bracket	X		
13	113-532	Right Filter Bracket	X		
14	118-095-* ①	Side Grille		2	
15	118-096-* ①	Condenser Grille	X		
16	BFAD-1	Fresh Air Damper Assembly	X		
18	S514-295-* ①	Upper Front	X		
19	113-176	Heater Bracket	X		
20	121-504	Return Partition	X		
21	121-602	Drain Pan	X		
22	Control Panel Assembly	See Control Panel Assembly Drawing and Parts List		X	
23	135-138	Fill Plate	X		
24	113-178-* ①	Top Rain Flashing	X		
25	133-263-* ①	Control Panel Cover (Inner)	X		
26	536-252	Condenser Blank-Off Plate	X		

① Exterior cabinet parts are manufactured with various paint color options. To ensure the proper paint color is received, reference the following codes: Beige -X, White -1, Buckeye Gray -4, Desert Brown -5, Dark Bronze -8

FUNCTIONAL COMPONENTS



SEXP-725

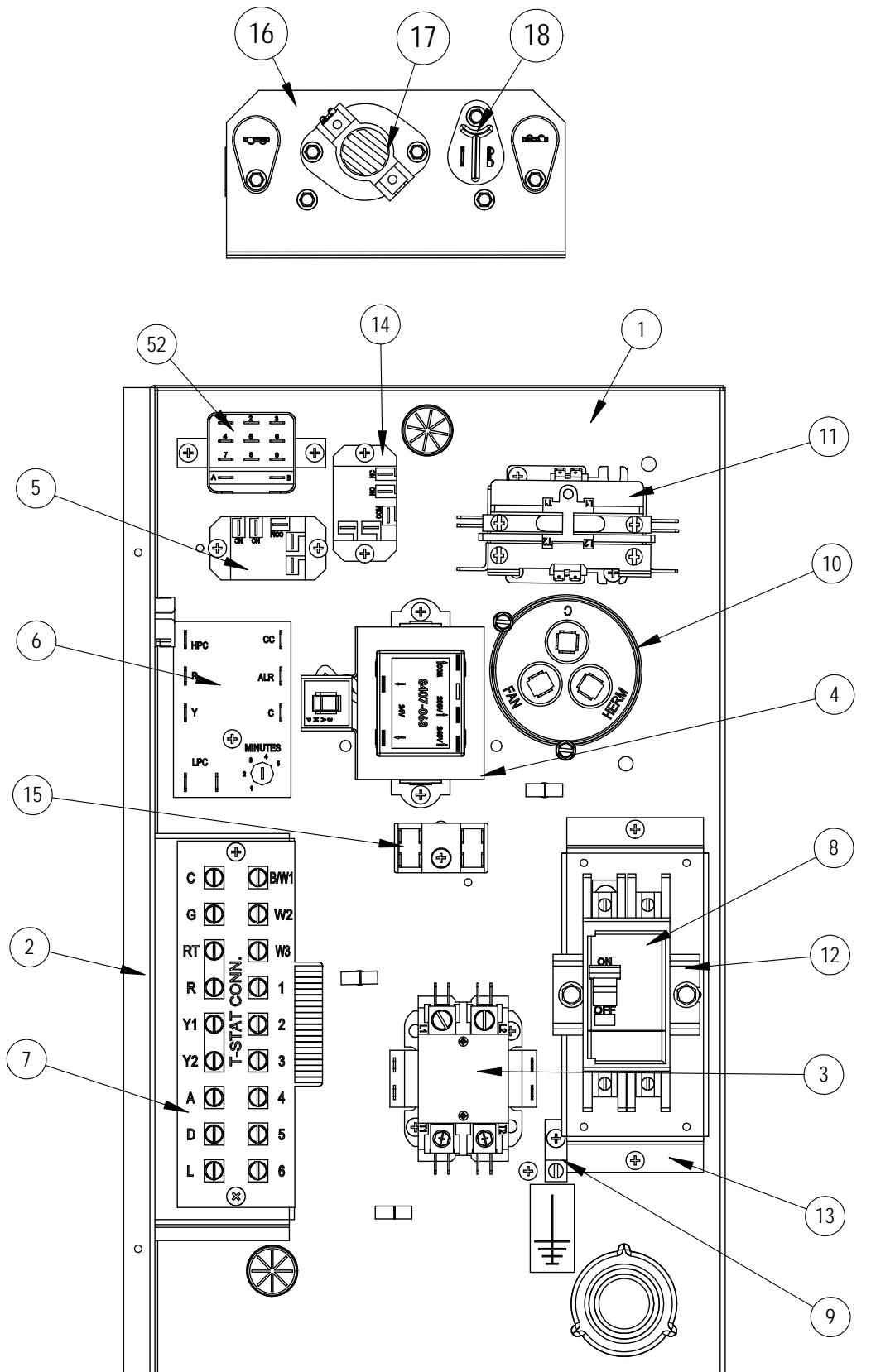
FUNCTIONAL COMPONENTS

Drawing No.	Part No.	Description	W12AB-A	W12AB-K	W12AB-D
1	S8000-406	Compressor	X		
1	S8000-407	Compressor		X	
1	S8000-408	Compressor			X
2	900-374	Blower Assembly 240V	X		X
2	900-379	Blower Assembly 115V		X	
3	8200-001	Fan Motor Mount	X	X	X
4	5151-059	Fan Blade	X	X	X
5	8101-031	Condenser Motor 240V	X		X
5	8101-032	Condenser Motor 115V		X	
6	5051-194BX	Condenser Coil	X	X	X
7	800-0442	Cooling Capillary Assembly	X		X
7	800-0493	Cooling Capillary Assembly		X	
8	5060-193BX	Evaporator Coil	X	X	X
9	7003-073	Air Filter 1" Washable	X	X	X
9	7004-056	Air Filter 1" Throw Away	X	X	X
9	7004-057	Air Filter 2" Pleated ①	X	X	X
11	1171-066	#82 1/4 Turn Fastener	X	X	X
11	1171-065	#82 Receptacle	X	X	X
11	1171-064	Retainer Clip	X	X	X
NS	8406-141	High Pressure Switch (Screw On)	X	X	X
NS	8406-140	Low Pressure Switch (Screw On)	X	X	X
NS	CMA-39	Low Ambient Control Service Kit (Flare) ①	X	X	X
NS	8402-185	Compressor Overload	X		
NS	8402-186	Compressor Overload		X	
NS	8402-187	Compressor Overload			X
NS	5201-021	Filter Drier	X	X	X
NS	6031-009	Coremax Valve Core	X	X	X
NS	8408-048	Freeze Stat (Part of CMA-36 LAC Kit)	X	X	X
NS	8408-055	Outdoor Thermostat (Part of CMA-39 LAC Kit)	X	X	X
NS	8406-112	Low Ambient Control (Part of CMA-39 LAC Kit)	X	X	X

NS – Not Shown

① – Optional on these models

CONTROL PANEL (CIRCUIT BREAKER OPTION)



SEXP-998 A

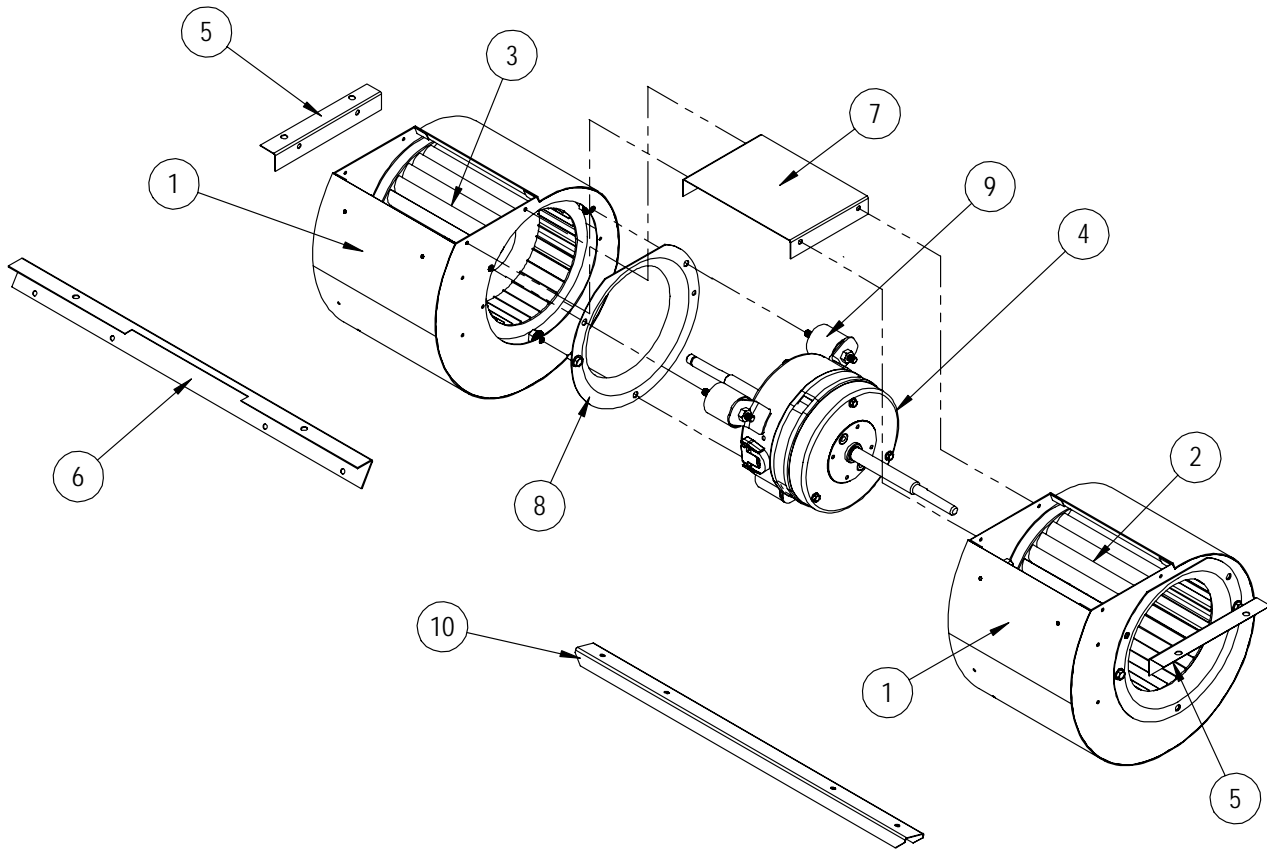
CONTROL PANEL (CIRCUIT BREAKER OPTION)

Drawing No.	Part No.	Description	W12AB-A0Z	W12AB-A03	W12AB-A05	W12AB-K00	W12AB-K02	W12AB-D0Z	W12AB-D03
1	117-415	Control Panel	X	X	X	X	X	X	X
2	117-416	Low Voltage Box	X	X	X	X	X	X	X
3	8401-033	Compressor Contactor	X	X	X	X	X	X	X
4	8407-068	Transformer	X	X	X			X	X
4	8407-045	Transformer				X	X		
5	8201-130	Blower Control Relay	X	X	X	X	X	X	X
6	S8201-164	Compressor Control Module	X	X	X	X	X	X	X
7	8607-063	Low Voltage Terminal Strip	X	X	X	X	X	X	X
8	8615-060	Circuit Breaker 15A 2 pole 240V	X					X	
8	8615-035	Circuit Breaker 20A 2 pole 240V		X					X
8	8615-036	Circuit Breaker 25A 2 pole 240V			X				
9	S8611-006	Ground Terminal	X	X	X	X	X	X	X
10	8552-050	Compressor Capacitor	X	X	X				
10	8552-062	Compressor Capacitor				X	X		
10	8552-049	Compressor Capacitor						X	X
11	8401-006	Heat Contactor		X	X		X		X
12	8611-210	DIN Rail	X	X	X	X	X	X	X
13	127-546	Circuit Breaker Offset	X	X	X	X	X	X	X
14	8201-130	Alarm Relay ①	X	X	X	X	X	X	X
15	8607-017	Terminal Block ① (Shown)	X	X	X	X	X	X	X
16	8604-156	Heat Strip 3KW with Limit and Thermal Cut Off		X					X
16	8604-157	Heat Strip 5KW with Limit and Thermal Cut Off			X				
16	8604-158	Heat Strip 2KW with Limit and Thermal Cut Off					X		
17	8402-188	Limit		X					X
17	8402-074	Limit			X				
17	8402-205	Limit					X		
18	8402-202	Thermal Cut Off		X					X
18	8402-204	Thermal Cut Off			X				
18	8402-203	Thermal Cut Off					X		
19	8201-159	Blower Control Relay	X	X	X	X	X	X	X
NS	4213-101	Wiring Diagram	X					X	
NS	4213-102	Wiring Diagram		X	X				X
NS	4213-105	Wiring Diagram				X			
NS	4213-106	Wiring Diagram					X		

NS – Not Shown

① – Optional on these models

BLOWER ASSEMBLY



SEXP-999 A

Drawing No.	Part No.	Description	900-374	900-379
1	151-114	Blower Housing *	2	2
2	5152-084	Wheel (CW) Right	X	X
3	5152-085	Wheel (CCW) Left	X	X
4	8101-030	Blower Motor (230/208)	X	
4	8101-033	Blower Motor (115)		X
5	105-908	Side Angle	2	2
6	105-1473	Front Brace	X	X
7	141-507	Center Blower Support	X	X
8	144-180	Inlet Ring	4	4
9	5451-033	Mounting Grommet	3	3
10	164-614	Blower Support Channel	X	X

* Replace with new rings