

REPLACEMENT PARTS MANUAL

11EER Step Capacity 2 Stage Wall Mount Air Conditioner

Models:

W3SAC-A	W4SAC-A	W5SAC-A
W3SAC-B	W4SAC-B	W5SAC-B
W3SAC-C	W4SAC-C	W5SAC-C
W3SACDA	W4SACDA	W5SACDA
W3SACDB	W4SACDB	W5SACDB
W3SACDC	W4SACDC	W5SACDC

Contents

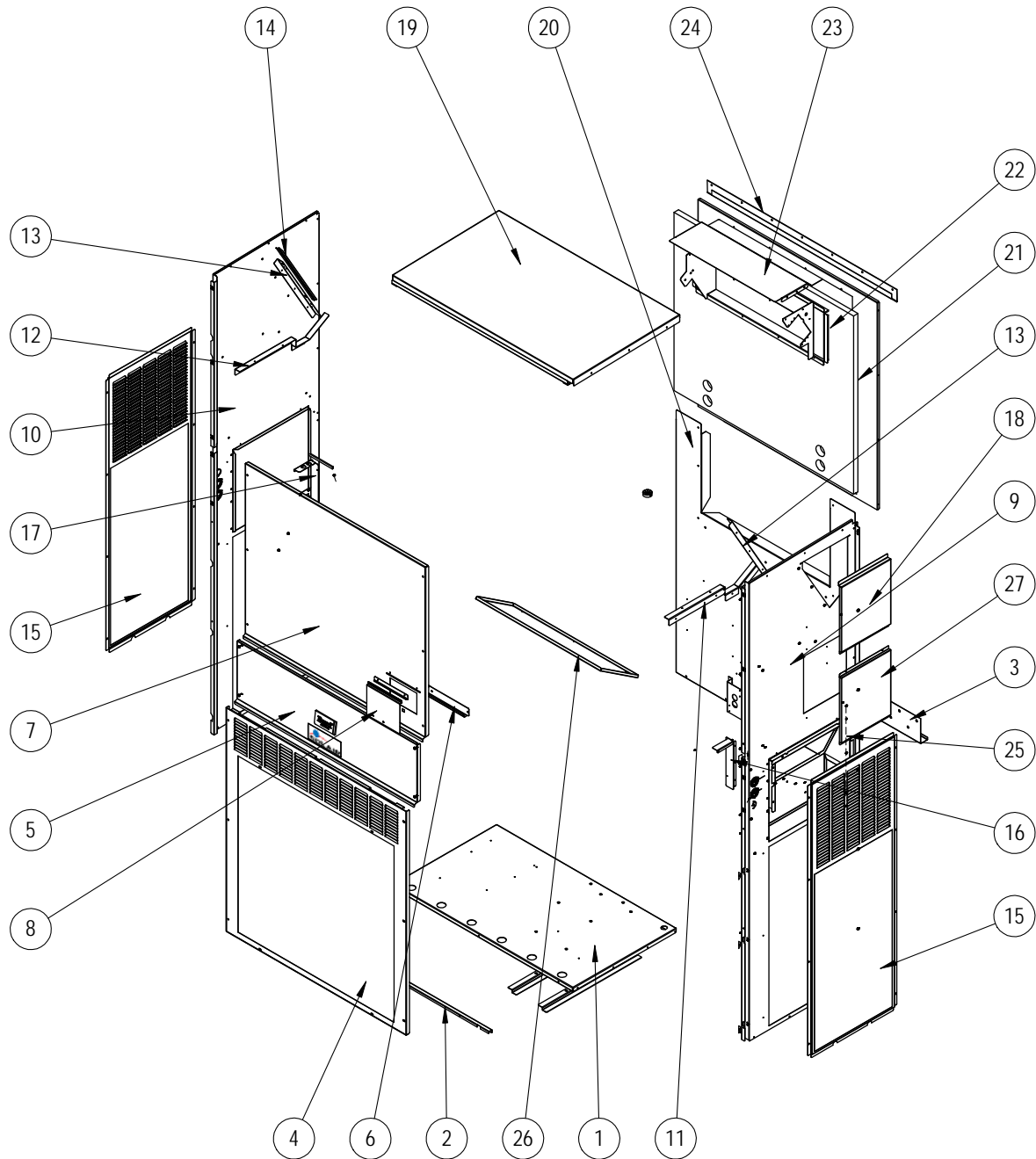
Description	Page	Description	Page
External Parts – Standard & Dehum.		Control Panel – Standard & Dehum.	
♦ Exploded View	2	♦ Layout View	14
♦ Usage List	3	♦ Usage List	15
♦ Usage List	4	♦ Usage List	16
Internal Parts – Standard & Dehum.		Blower Assembly	
♦ Exploded View	6	♦ Exploded View	17
♦ Usage List	7	♦ Usage List	17
♦ Usage List	8		
Functional Components – Standard & Dehum.		General Notes	
♦ Exploded View	10	➤ Revised and/or additional pages may be issued from time to time.	
♦ Usage List	11	➤ A complete and current manual consists of pages shown in the following contents section.	
♦ Usage List	12		
EEV Controller Assembly		Important	
♦ Exploded View	13	➤ Contact the installing and/or local Bard distributor for all parts requirements. Be sure to have the complete model and serial number available from the unit rating plates.	
♦ Usage List	13		



Bard Manufacturing Company, Inc.
Bryan, Ohio 43506
www.bardhvac.com

Manual: 2110-1461E
Supersedes: 2110-1461D
Date: 7-23-21

EXTERNAL PARTS – STANDARD & DEHUMIDIFICATION



SEXP-932 B

This drawing to be used for reference for pages 3 and 4

EXTERNAL PARTS – STANDARD & DEHUMIDIFICATION

Dwg No.	Part Number	Description	W3SAC-A, B, C	W3SACDA, B, C	W4SAC-A, B, C	W4SACDA, B, C
1	S127-574	Unit Base	X	X	X	X
1	S127-584 ③	Unit Base	0	0	0	0
2	113-762	Front Base Bracket	X	X	X	X
2	113-797 ③	Front Base Bracket	0	0	0	0
3	113-140	Bottom Mounting Bracket	X	X	X	X
4	119-125-* ①	Front Grille	X	X	X	X
4	119-148 ②	Front Grille	0	0	0	0
4	119-135 ③	Front Grille	0	0	0	0
5	S533-301-* ①	Control Panel Cover (Outer)	X	X	X	X
5	S533-309 ②	Control Panel Cover (Outer)	0	0	0	0
5	S533-310 ③	Control Panel Cover (Outer)	0	0	0	0
6	S165-608-* ①	Rain Channel	X	X	X	X
6	S165-609 ②	Rain Channel	0	0	0	0
6	S165-610 ③	Rain Channel	0	0	0	0
7	S515-323-* ①	Upper Front	X	X	X	X
7	S515-328 ②	Upper Front	0	0	0	0
7	S515-330 ③	Upper Front	0	0	0	0
8	153-717-* ①	Disconnect Access Door	X	X	X	X
8	153-723 ②	Disconnect Access Door	0	0	0	0
8	153-724 ③	Disconnect Access Door	0	0	0	0
9	S501-1027-* ①	Right Side	X	X	X	X
9	S501-1028 ②	Right Side	0	0	0	0
9	S501-1029 ③	Right Side	0	0	0	0
10	501-1054-* ①	Left Side	X	X	X	X
10	501-1073 ②	Left Side	0	0	0	0
10	501-1077 ③	Left Side	0	0	0	0
11	105X1454	Right Support Angle	X	X	X	X
12	105Y1454	Left Support Angle	X	X	X	X
13	105-1457	Coil Support	2	2	2	2
14	147-055	Coil Support Offset	X	X	X	X
15	119-126-* ①	Side Grille	2	2	2	2
15	119-142 ②	Side Grille	2	2	2	2
15	119-136 ③	Side Grille	2	2	2	2
16	105-1450	Right Control Panel Angle	X	X	X	X
17	105-1451	Left Control Panel Angle	X	X	X	X
18	S543-221-* ①	Heater Access Cover	X	X	X	X
18	S543-228 ②	Heater Access Cover	0	0	0	0
18	S543-229 ③	Heater Access Cover	0	0	0	0
19	507-382-* ①	Top	X	X	X	X
19	507-391 ②	Top	0	0	0	0
19	507-392 ③	Top	0	0	0	0
20	109-412	Lower Back	X	X	X	X
20	109-418 ②	Lower Back	0	0	0	0
20	109-422 ③	Lower Back	0	0	0	0
21	S509-411	Upper Back	X	X	X	X
21	S509-417 ②	Upper Back	0	0	0	0
21	S509-421 ③	Upper Back	0	0	0	0
22	S111-299	Outlet Air Frame Assembly	X	X	X	X
23	535-129	Heat Shield	X	X	X	X
24	113-150-* ①	Top Rain Flashing	X	X	X	X
24	113-150-4 ②	Top Rain Flashing	0	0	0	0
24	113-359 ③	Top Rain Flashing	0	0	0	0
25	539-406	Fresh Air Damper Assembly	X	X	X	X
25	543-222	Intake Blank Off Plate	0	0	0	0
26	543-220	Exhaust Blank Off Plate	X	X	X	X
27	S543-248-* ①	Access Cover	X	X	X	X
27	S543-250 ②	Access Cover	0	0	0	0
27	S543-251 ③	Access Cover	0	0	0	0
NS	5252-033	Bard Nameplate	X	X	X	X

① Exterior cabinet parts are manufactured with various paint color options. To ensure the proper paint color is received, include the complete model and serial number of the unit for which cabinet parts are being ordered.

X – Standard Component
0 – Optional Component

② Exterior cabinet parts are manufactured from aluminum Code "A"
#24 - Top rain flashing not available in aluminum; order 113-150-4 (Buckeye Gray).

③ Exterior cabinet parts are manufactured from stainless steel Code "S"

EXTERNAL PARTS – STANDARD & DEHUMIDIFICATION

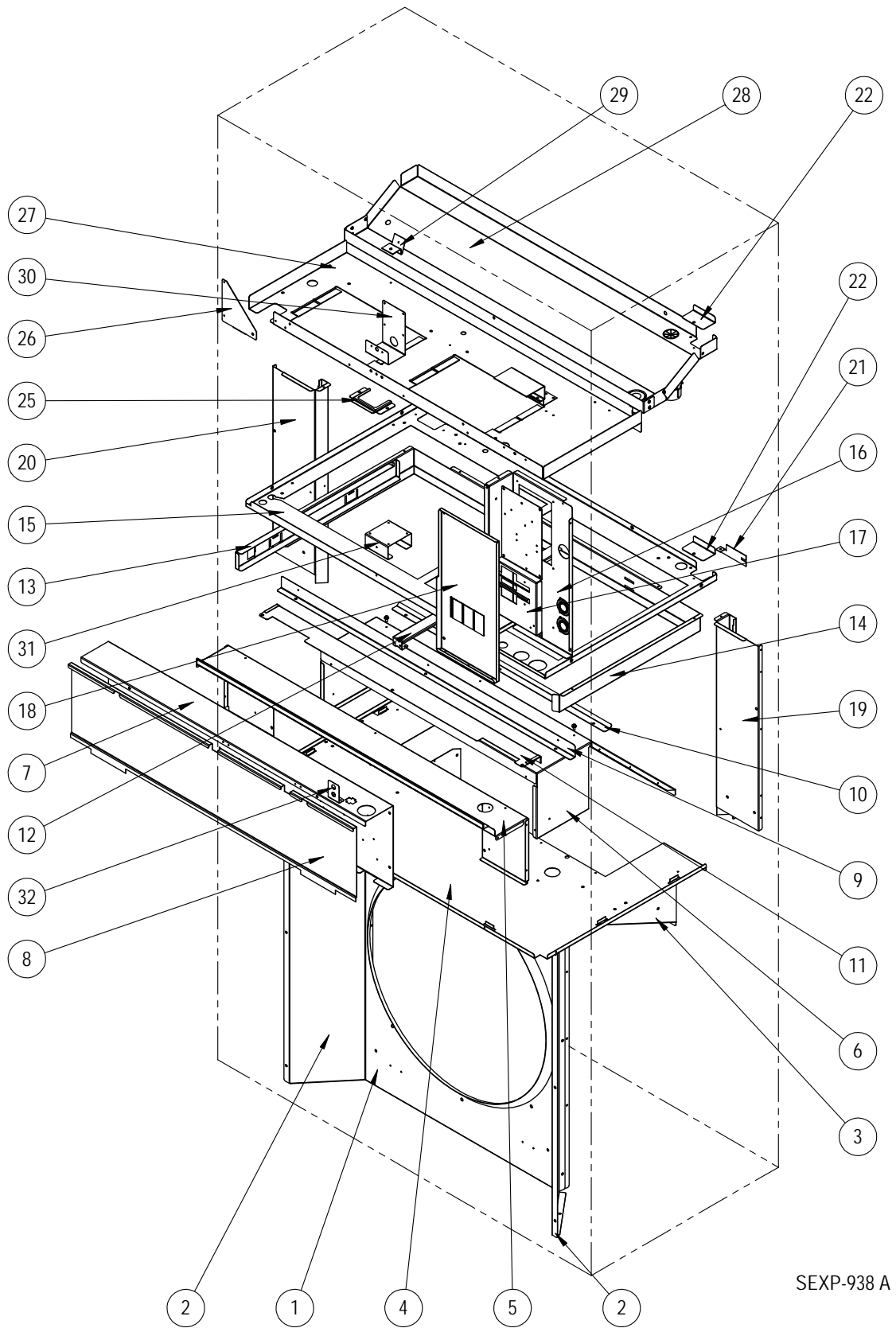
Dwg No.	Part Number	Description	WSSAC-A, B, C	WSSACDA, B, C
1	S127-574	Unit Base	X	X
1	S127-584 ③	Unit Base	0	0
2	113-762	Front Base Bracket	X	X
2	113-797 ③	Front Base Bracket	0	0
3	113-140	Bottom Mounting Bracket	X	X
4	119-127-* ①	Front Grille	X	X
4	119-149 ②	Front Grille	0	0
4	119-137 ③	Front Grille	0	0
5	S533-301-* ①	Control Panel Cover (Outer)	X	X
5	S533-309 ②	Control Panel Cover (Outer)	0	0
5	S533-310 ③	Control Panel Cover (Outer)	0	0
6	S165-608-* ①	Rain Channel	X	X
6	S165-609 ②	Rain Channel	0	0
6	S165-610 ③	Rain Channel	0	0
7	S515-324-* ①	Upper Front	X	X
7	S515-329 ②	Upper Front	0	0
7	S515-331 ③	Upper Front	0	0
8	153-717-* ①	Disconnect Access Door	X	X
8	153-723 ②	Disconnect Access Door	0	0
8	153-724 ③	Disconnect Access Door	0	0
9	S501-1030-* ①	Right Side	X	X
9	S501-1031 ②	Right Side	0	0
9	S501-1032 ③	Right Side	0	0
10	501-1056-* ①	Left Side	X	X
10	501-1075 ②	Left Side	0	0
10	501-1079 ③	Left Side	0	0
11	105X1454	Right Support Angle	X	X
12	105Y1454	Left Support Angle	X	X
13	105-1455	Coil Support	2	2
14	147-054	Coil Support Offset	X	X
15	119-128-* ①	Side Grille	2	2
15	119-143 ②	Side Grille	2	2
15	119-138 ③	Side Grille	2	2
16	105-1450	Right Control Panel Angle	X	X
17	105-1451	Left Control Panel Angle	X	X
18	S543-221-* ①	Heater Access Cover	X	X
18	S543-228 ②	Heater Access Cover	0	0
18	S543-229 ③	Heater Access Cover	0	0
19	507-382-* ①	Top	X	X
19	507-391 ②	Top	0	0
19	507-392 ③	Top	0	0
20	109-414	Lower Back	X	X
20	109-420 ②	Lower Back	0	0
20	109-424 ③	Lower Back	0	0
21	S509-413	Upper Back	X	X
21	S509-419 ②	Upper Back	0	0
21	S509-423 ③	Upper Back	0	0
22	S111-299	Outlet Air Frame Assembly	X	X
23	535-129	Heat Shield	X	X
24	113-150-* ①	Top Rain Flashing	X	X
24	113-150-4 ②	Top Rain Flashing	0	0
24	113-359 ③	Top Rain Flashing	0	0
25	539-406	Fresh Air Damper Assembly	X	X
25	543-222	Intake Blank Off Plate	0	0
26	543-220	Exhaust Blank Off Plate	X	X
27	S543-248-* ①	Access Cover	X	X
27	S543-250 ②	Access Cover	0	0
27	S543-251 ③	Access Cover	0	0
NS	5252-033	Bard Nameplate	X	X

① Exterior cabinet parts are manufactured with various paint color options. To ensure the proper paint color is received, include the complete model and serial number of the unit for which cabinet parts are being ordered.

X – Standard Component
0 – Optional Component

This page intentionally left blank

INTERNAL PARTS – STANDARD & DEHUMIDIFICATION



SEXP-938 A

This drawing to be used for reference for pages 7 and 8

INTERNAL PARTS – STANDARD & DEHUMIDIFICATION

Dwg No.	Part Number	Description	W3SAC-A, B	W3SAC-C	W3SACDA, B	W3SACDC	W4SAC-A, B	W4SAC-C	W4SACDA, B	W4SACDC
1	125-089	Fan Shroud	X	X	X	X	X	X	X	X
1	125-093 ①	Fan Shroud	0	0	0	0	0	0	0	0
2	S125-090	Fan Shroud Side Access Cover	2	2	2	2	2	2	2	2
2	S125-094 ①	Fan Shroud Side Access Cover	2	2	2	2	2	2	2	2
3	121-586	Condenser Partition Insert	X	X	X	X	X	X	X	X
3	121-600 ①	Condenser Partition Insert	0	0	0	0	0	0	0	0
4	121-585	Condenser Partition	X	X	X	X	X	X	X	X
4	121-599 ①	Condenser Partition	0	0	0	0	0	0	0	0
5	521-630	Front Exhaust Partition	X	X	X	X	X	X	X	X
6	521-587	Exhaust Partition	X	X	X	X	X	X	X	X
7	Control Panel Assy.	See Control Panel Assy. Drawing & Parts List	X	X	X	X	X	X	X	X
8	S133-330	Control Panel Cover (Inner)	X	X	X	X	X	X	X	X
9	105-1453	Front Vent Guide Rail	X	X	X	X	X	X	X	X
10	105-1452	Vent Guide Rail	X	X	X	X	X	X	X	X
11	S135-409	Field Wire Shield	X	X	X	X	X	X	X	X
12	131-168	Filter Support Bracket	2	2	2	2	2	2	2	2
13	131-170	Filter Slide	X	X	X	X	X	X	X	X
14	131-169	Filter Rack Frame	X	X	X	X	X	X	X	X
15	121-583	Filter Partition	X	X	X	X	X	X	X	X
16	117-412	Upper Control Panel	X	X	X	X	X	X	X	X
17	127-575	Circuit Breaker Base	X		X		X		X	
17	127-585	Circuit Breaker Base - 460V		X		X		X		X
18	S133-303	Upper Control Panel Cover	X		X		X		X	
18	S133-304	Upper Control Panel Cover - 460V		X		X		X		X
19	135X393	Right Copper Chase	X	X	X	X	X	X	X	X
19	135X397 ①	Right Copper Chase	0	0	0	0	0	0	0	0
20	135Y393	Left Copper Chase	X	X	X	X	X	X	X	X
20	135Y397 ①	Left Copper Chase	0	0	0	0	0	0	0	0
21	113-796	Copper Retainer	2	2	2	2	2	2	2	2
22	137-920	Copper Fill Plate	2	2	2	2	2	2	2	2
25	113-765	Grommet Retainer	X	X	X	X	X	X	X	X
26	141-492	Blower Partition Support	X	X	X	X	X	X	X	X
27	121-582	Blower Partition	X	X	X	X	X	X	X	X
28	523-161	Drain Pan	X	X	X	X	X	X	X	X
28	523-162 ①②	Drain Pan	0	0	0	0	0	0	0	0
29	113-816	TXV mounting Bracket	X	X			X	X		
29	113-768	EEV mounting Bracket			X	X			X	X
30	113-787	Airflow Switch Bracket	0	0	0	0	0	0	0	0
31	113-788	Filter Switch Bracket	0	0	0	0	0	0	0	0
32	113-789	Filter Switch Light Bracket	0	0	0	0	0	0	0	0

① Exterior cabinet parts are manufactured from stainless steel Code "S"
 ② For aluminum units, order 523-162 stainless steel drain pan.

X – Standard Component
 0 – Optional Component

INTERNAL PARTS – STANDARD & DEHUMIDIFICATION

Dwg No.	Part Number	Description	W5SAC-A, B	W5SAC-C	W5SACDA, B	W5SACDC
1	125-091	Fan Shroud	X	X	X	X
1	125-095 ①	Fan Shroud	0	0	0	0
2	S125-092	Fan Shroud Side Access Cover	2	2	2	2
2	S125-096 ①	Fan Shroud Side Access Cover	2	2	2	2
3	121-586	Condenser Partition Insert	X	X	X	X
3	121-600 ①	Condenser Partition Insert	0	0	0	0
4	121-585	Condenser Partition	X	X	X	X
4	121-599 ①	Condenser Partition	0	0	0	0
5	521-630	Front Exhaust Partition	X	X	X	X
6	521-587	Exhaust Partition	X	X	X	X
7	Control Panel Assy.	See Control Panel Assy. Drawing & Parts List	X	X	X	X
8	S133-330	Control Panel Cover (Inner)	X	X	X	X
9	105-1453	Front Vent Guide Rail	X	X	X	X
10	105-1452	Vent Guide Rail	X	X	X	X
11	S135-409	Field Wire Shield	X	X	X	X
12	131-168	Filter Support Bracket	2	2	2	2
13	131-170	Filter Slide	X	X	X	X
14	131-169	Filter Rack Frame	X	X	X	X
15	121-583	Filter Partition	X	X	X	X
16	117-412	Upper Control Panel	X	X	X	X
17	127-575	Circuit Breaker Base	X		X	
17	127-585	Circuit Breaker Base - 460V		X		X
18	S133-303	Upper Control Panel Cover	X		X	
18	S133-304	Upper Control Panel Cover - 460V		X		X
19	135X393	Right Copper Chase	X	X	X	X
19	135X397 ①	Right Copper Chase	0	0	0	0
20	135Y393	Left Copper Chase	X	X	X	X
20	135Y397 ①	Left Copper Chase	0	0	0	0
21	113-796	Copper Retainer	2	2	2	2
22	137-920	Copper Fill Plate	2	2	2	2
25	113-765	Grommet Retainer	X	X	X	X
26	141-492	Blower Partition Support	X	X	X	X
27	121-582	Blower Partition	X	X	X	X
28	523-161	Drain Pan	X	X	X	X
28	523-162 ①②	Drain Pan	0	0	0	0
29	113-768	EEV mounting Bracket			X	X
29	113-816	TXV mounting Bracket	X	X		
30	113-787	Airflow Switch Bracket	0	0	0	0
31	113-788	Filter Switch Bracket	0	0	0	0
32	113-789	Filter Switch Light Bracket	0	0	0	0

① Exterior cabinet parts are manufactured from stainless steel Code "S"

② For aluminum units, order 523-162 stainless steel drain pan.

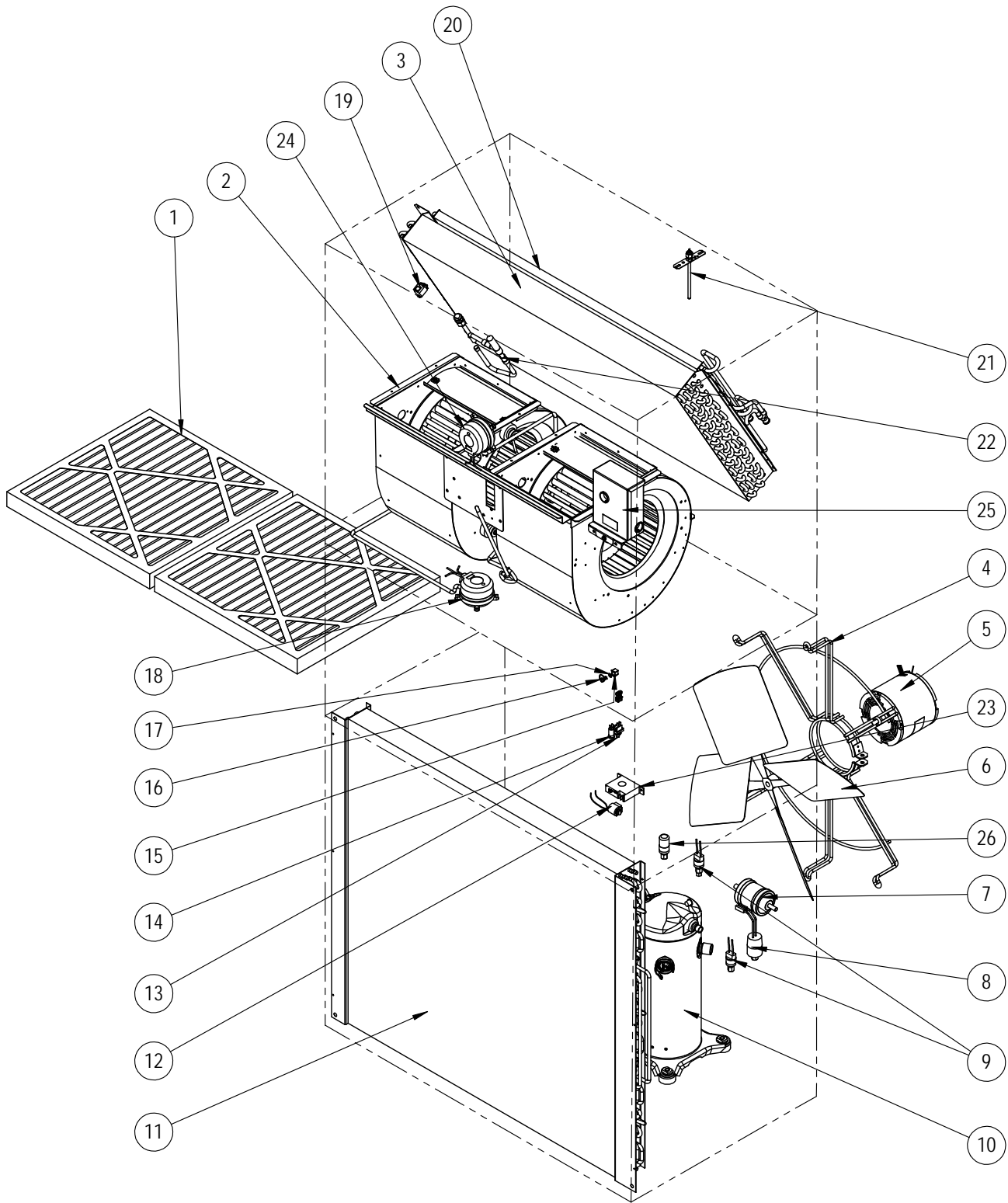
X – Standard Component

0 – Optional Component

Refer to drawing on page 6

This page intentionally left blank

FUNCTIONAL COMPONENTS – STANDARD & DEHUMIDIFICATION



SEXP-931

This drawing to be used for reference for pages 11 and 12

FUNCTIONAL COMPONENTS – STANDARD & DEHUMIDIFICATION

Dwg No.	Part Number	Description	W3SAC-A	W3SAC-B	W3SAC-C	W3SACDA	W3SACDB	W3SACDC	W4SAC-A	W4SAC-B	W4SAC-C	W4SACDA	W4SACDB	W4SACDC
1	7004-012	Air Filter 1" Throw-Away (20 x 20 x 1)	2	2	2	2	2	2	2	2	2	2	2	2
1	7003-085 ②	Air Filter 1" Washable (20 x 20 x 1)	2	2	2	2	2	2	2	2	2	2	2	2
1	7004-052 ②	Air Filter 2" Merv 8 (20 x 20 x 2)	2	2	2	2	2	2	2	2	2	2	2	2
1	7004-060 ②	Air Filter 2" Merv 11 (20 x 20 x 2)	2	2	2	2	2	2	2	2	2	2	2	2
1	7004-063 ②	Air Filter 2" Merv 13 (20 x 20 x 2)	2	2	2	2	2	2	2	2	2	2	2	2
2	S900-387-001	Blower Assembly	X	X		X	X							
2	S900-388-001	Blower Assembly - 460V			X			X						
2	S900-368-007	Blower Assembly							X	X		X	X	
2	S900-369-007	Blower Assembly - 460V									X			X
3	917-0368BX	Evaporator Coil w/Distributor Assy.	X	X	X	X	X	X						
3	917-0369BX	Evaporator Coil - Coated w/Distributor Assy.	0	0	0	0	0	0						
3	917-0372BX	Evaporator Coil w/Distributor Assy.							X	X	X	X	X	X
3	917-0373BX	Evaporator Coil - Coated w/Distributor Assy.							0	0	0	0	0	0
4	8200-004	Fan Motor Mount	X	X	X	X	X	X	X	X	X	X	X	X
4	8200-051 ①	Fan Motor Mount - Stainless Steel	0	0	0	0	0	0	0	0	0	0	0	0
5	8105-068	Condenser Motor	X	X		X	X		X	X		X	X	
5	8105-071	Condenser Motor - 460V			X			X			X			X
6	5151-060	Fan Blade	X	X	X	X	X	X	X	X	X	X	X	X
6	5151C060 ①	Fan Blade - Coated	0	0	0	0	0	0	0	0	0	0	0	0
7	5201-022	Filter Drier	X	X	X	X	X	X	X	X	X	X	X	X
8	CMA-39	Low Ambient Control (LAC)	0	0	0	0	0	0	0	0	0	0	0	0
9	8406-142	High Pressure Switch	X	X	X	X	X	X	X	X	X	X	X	X
9	8406-140	Low Pressure Switch	X	X	X	X	X	X	X	X	X	X	X	X
10	8000-440	Compressor	X			X								
10	8000-442	Compressor		X			X							
10	8000-452	Compressor			X			X				X		
10	8000-453	Compressor							X				X	
10	8000-454	Compressor								X				X
10	8000-455	Compressor									X			X
11	5051-222BX	Condenser Coil	X	X	X	X	X	X	X	X	X	X	X	X
11	5054-222BX	Condenser Coil - Coated	0	0	0	0	0	0	0	0	0	0	0	0
12	8408-055	Outdoor Temperature Sensor	0	0	0	0	0	0	0	0	0	0	0	0
13	3000-1638	Dirty Filter Reset Switch	0	0	0	0	0	0	0	0	0	0	0	0
14	8611-094	Red Indicator Light - 24VAC	0	0	0	0	0	0	0	0	0	0	0	0
15	1171-023	1/4 Turn Receptacle	X	X	X	X	X	X	X	X	X	X	X	X
16	1171-022	1/4 Turn Fastener	X	X	X	X	X	X	X	X	X	X	X	X
17	1171-024	1/4 Turn Retainer	X	X	X	X	X	X	X	X	X	X	X	X
18	8301-057	Filter Pressure Switch	0	0	0	0	0	0	0	0	0	0	0	0
19	CMC-29	Freeze Protection Thermostat	0	0	0	0	0	0	0	0	0	0	0	0
20	5051-221BX	Reheat Coil				X	X	X				X	X	X
20	5054-221BX	Reheat Coil - Coated				0	0	0				0	0	0
21	910-1224	Supply Air Temperature Sensor	0	0	0	0	0	0	0	0	0	0	0	0
22	905-0762	Electronic Expansion Valve (EEV) Assembly	X	X	X				X	X	X			
22	905-0763	Electronic Expansion Valve (EEV) Assembly												
22	5651S245	Electronic Expansion Valve				X	X	X				X	X	X
22	905-0737	Electronic Expansion Valve (EEV) Assembly				X	X	X				X	X	X
23	8301-013	Current Sensor	0	0	0	0	0	0	0	0	0	0	0	0
24	8301-057	Airflow Pressure Switch	0	0	0	0	0	0	0	0	0	0	0	0
25	S910-2050-001	EEV Controller (see page 13 for breakdown)				X	X	X				X	X	X
26	8406-158	Low Pressure Transducer				X	X	X				X	X	X
26	3000-1603	Transducer Wire Assembly - Transducer to QC				X	X	X				X	X	X
NS	CMA-39	LAC Kit = Item #'s 8,12,19	0	0	0	0	0	0	0	0	0	0	0	0
NS	CMC-33	Dirty Filter Switch Kit = Item #'s 13,14,18	0	0	0	0	0	0	0	0	0	0	0	0
NS	CMA-44	DDC Kit = Item #'s 8,12,13,14,18,19,21,23,24	0	0	0	0	0	0	0	0	0	0	0	0
NS	5650-051	Dehumidification Valve				X	X	X				X	X	X
NS	5650-042	Rev. Valve Solenoid, Red Casing (Ranco)				X	X	X				X	X	X
NS	5650-046	Rev. Valve Solenoid, Black Casing (San Hua)				X	X	X				X	X	X
NS	5651-219	Check Valve				2	2	2				2	2	2
NS	5451-024	Tubing Isolation Grommet	2	2	2	4	4	4	2	2	2	4	4	4
NS	6031-009	Coremax Valve Core	2	2	2	2	2	2	2	2	2	2	2	2
NS	1171-028	Control Panel Door Clip	4	4	4	4	4	4	4	4	4	4	4	4
NS	1171-057	Control Panel Door Screw	4	4	4	4	4	4	4	4	4	4	4	4
NS	1171-027	Control Panel Door Screw Retainer	4	4	4	4	4	4	4	4	4	4	4	4
NS	5650-054	Molded Plug for Dehum Valve				X	X	X				X	X	X

NS – Not Shown

① – Used with stainless steel cabinet option

② – Optional on these models

X – Standard Component

0 – Optional Component

FUNCTIONAL COMPONENTS – STANDARD & DEHUMIDIFICATION

Dwg No.	Part Number	Description	W5SAC-A	W5SAC-B	W5SAC-C	W5SACDA	W5SACDB	W5SACDC
1	7004-012	Air Filter 1" Throw-Away (20 x 20 x 1)	2	2	2	2	2	2
1	7003-085 ②	Air Filter 1" Washable (20 x 20 x 1)	2	2	2	2	2	2
1	7004-052 ②	Air Filter 2" Merv 8 (20 x 20 x 2)	2	2	2	2	2	2
1	7004-060 ②	Air Filter 2" Merv 11 (20 x 20 x 2)	2	2	2	2	2	2
1	7004-063 ②	Air Filter 2" Merv 13 (20 x 20 x 2)	2	2	2	2	2	2
2	S900-368-006	Blower Assembly	X	X		X	X	
2	S900-369-006	Blower Assembly - 460V			X			X
3	917-0376	Evaporator Coil	X	X	X	X	X	X
3	917-0377	Evaporator Coil	0	0	0	0	0	0
4	8200-004	Fan Motor Mount	X	X	X	X	X	X
4	8200-051 ①	Fan Motor Mount - Stainless Steel	0	0	0	0	0	0
5	8105-068	Condenser Motor	X	X		X	X	
5	8105-071	Condenser Motor - 460V			X			X
6	5151-060	Fan Blade	X	X	X	X	X	X
6	5151C060 ①	Fan Blade - Coated	0	0	0	0	0	0
7	5201-022	Filter Drier	X	X	X	X	X	X
8	CMA-39	Low Ambient Control (LAC)	0	0	0	0	0	0
9	8406-142	High Pressure Switch	X	X	X	X	X	X
9	8406-140	Low Pressure Switch	X	X	X	X	X	X
10	8000-449	Compressor	X			X		
10	8000-450	Compressor		X			X	
10	8000-451	Compressor			X			X
11	5051-223BX	Condenser Coil	X	X	X	X	X	X
11	5054-223BX	Condenser Coil - Coated	0	0	0	0	0	0
12	8408-055	Outdoor Temperature Sensor	0	0	0	0	0	0
13	3000-1638	Dirty Filter Reset Switch	0	0	0	0	0	0
14	8611-094	Red Indicator Light - 24VAC	0	0	0	0	0	0
15	1171-023	1/4 Turn Receptacle	X	X	X	X	X	X
16	1171-022	1/4 Turn Fastener	X	X	X	X	X	X
17	1171-024	1/4 Turn Retainer	X	X	X	X	X	X
18	8301-057	Filter Pressure Switch	0	0	0	0	0	0
19	CMC-29	Freeze Protection Thermostat	0	0	0	0	0	0
20	5051-221BX	Reheat Coil				X	X	X
20	5054-221BX	Reheat Coil - Coated				0	0	0
21	910-1224	Supply Air Temperature Sensor	0	0	0	0	0	0
22	905-0761	Expansion Valve Assembly	X	X	X			
22	905-0745	Electronic Expansion Valve (EEV) Assembly				X	X	X
23	8301-013	Current Sensor	0	0	0	0	0	0
24	8301-057	Airflow Pressure Switch	0	0	0	0	0	0
25	S910-2050-001	EEV Controller (see page 13 for breakdown)				X	X	X
26	8406-158	Low Pressure Transducer				X	X	X
26	3000-1603	Transducer Wire Assembly - Transducer to QC				X	X	X
NS	CMA-39	LAC Kit = Item #'s 8,12,19	0	0	0	0	0	0
NS	CMC-33	Dirty Filter Switch Kit = Item #'s 13,14,18	0	0	0	0	0	0
NS	CMA-44	DDC Kit = Item #'s 8,12,13,14,18,19,21,23,24	0	0	0	0	0	0
NS	5451-024	Tubing Isolation Grommet	2	2	2	4	4	4
NS	6031-009	Coremax Valve Core	2	2	2	2	2	2
NS	1171-028	Control Panel Door Clip	4	4	4	4	4	4
NS	1171-057	Control Panel Door Screw	4	4	4	4	4	4
NS	1171-027	Control Panel Door Screw Retainer	4	4	4	4	4	4
NS	5650-051	Dehumidification Valve				X	X	X
NS	5650-042	Rev. Valve Solenoid, Red Casing (Ranco)				X	X	X
NS	5650-046	Rev. Valve Solenoid, Black Casing (San Hua)				X	X	X
NS	5651-219	Check Valve				2	2	2

NS – Not Shown

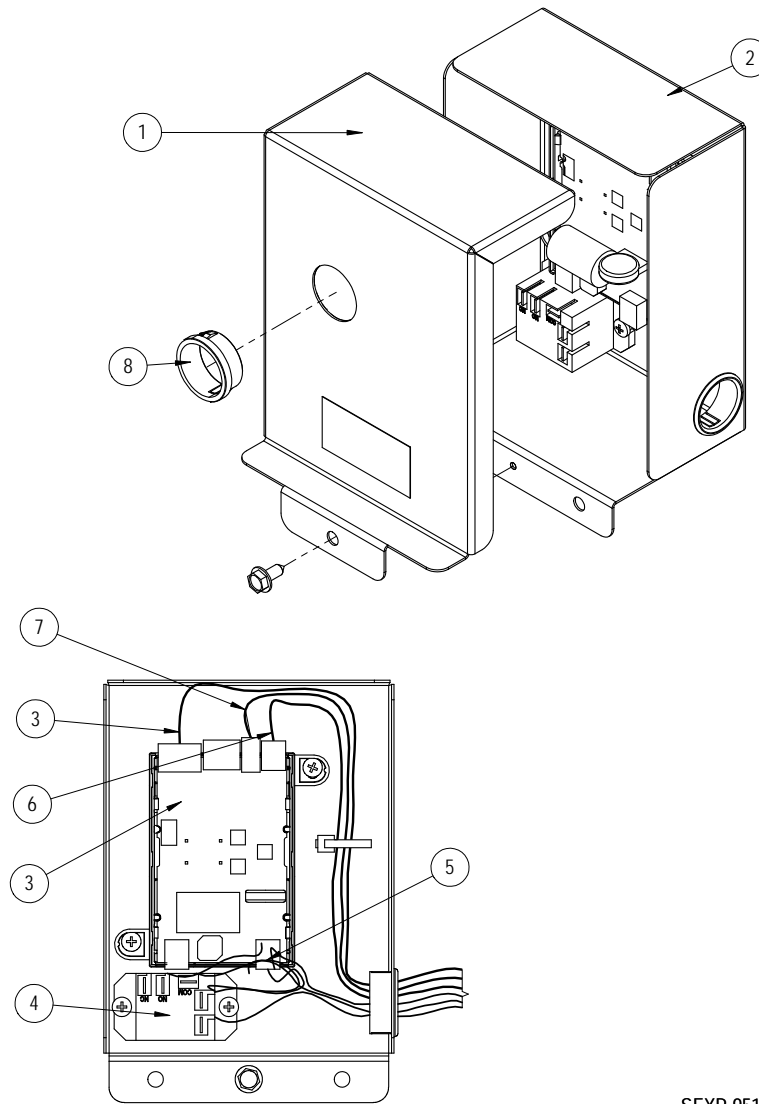
① – Used with stainless steel cabinet option

② – Optional on these models

X – Standard Component

O – Optional Component

EEV CONTROLLER ASSEMBLY

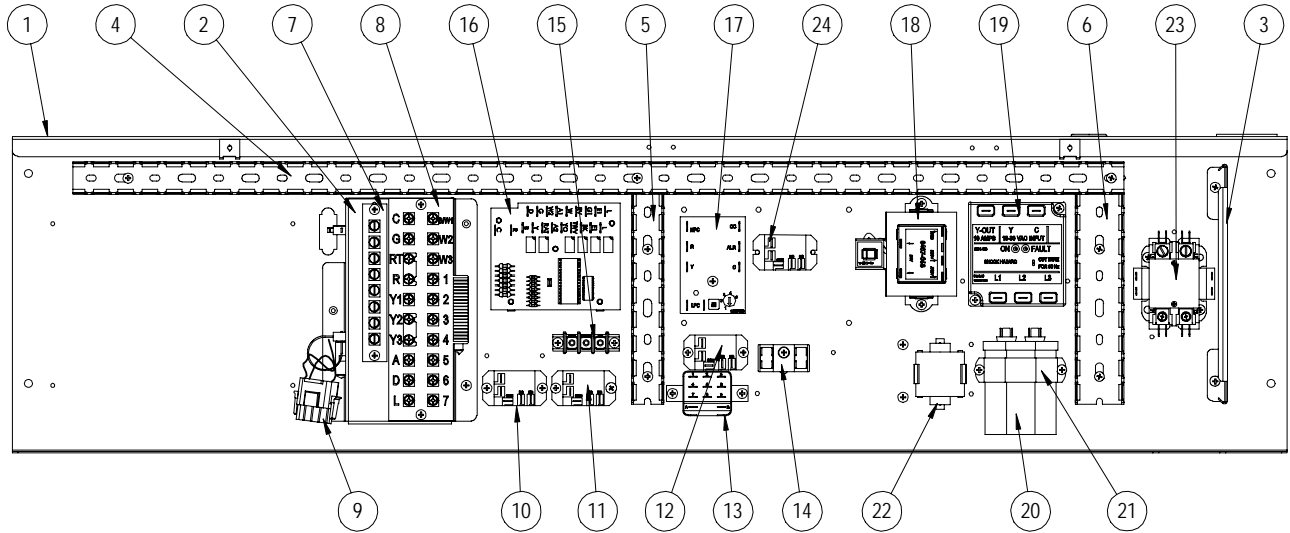


SEXP-951

S910-2050-001

Dwg No.	Part Number	Description	
1	143-219	EEV Control Box Cover	X
2	127-572	EEV Control Box	X
3	S8301-079-0001	EEV Control Module & Stator Cable	X
3	5651-246	EEV Stator Cable Only	X
4	8201-130	Control Relay	X
5	3000-1602	Main Wire Assembly	X
6	3000-1611	Transducer Wire Assembly – EEV Board to QC	X
7	8408-056	EEV Thermistor	X
8	8611-075	Clear Snap Plug	X

CONTROL PANEL – STANDARD & DEHUMIDIFICATION



SEXP-1020

This drawing to be used for reference for pages 15 and 16

CONTROL PANEL – STANDARD & DEHUMIDIFICATION

Dwg No.	Part Number	Description	W3SAC-A	W3SAC-B	W3SAC-C	W3SACDA	W3SACDB	W3SACDC	W4SAC-A	W4SAC-B	W4SAC-C	W4SACDA	W4SACDB	W4SACDC
1	117-411	Control Panel	X	X	X	X	X	X	X	X	X	X	X	X
2	S910-2108	Complete Low Voltage Box Assembly (Sheet metal, Terminal Strip, & Wire Harness)	X	X	X	X	X	X	X	X	X	X	X	X
3	135-394	Wire Shield	X	X	X	X	X	X	X	X	X	X	X	X
4	8611-140-3208	Cable Duct - 32.5"	X	X	X	X	X	X	X	X	X	X	X	X
6	8611-244-0608	Cable Duct - 6.5" x 1.5" wide	2	2	2	2	2	2	2	2	2	2	2	2
7	8607-021	Low Voltage Terminal Strip - 8 term.	0	0	0	0	0	0	0	0	0	0	0	0
8	8607-071	Low Voltage Terminal Strip - 20 term.	X	X	X	X	X	X	X	X	X	X	X	X
9	3000-1524	Vent Jumper Plug (used when no vent option)	X	X	X	X	X	X	X	X	X	X	X	X
10	8201-130	Alarm Relay (Kit = CMC-35)	0	0	0	0	0	0	0	0	0	0	0	0
11	8201-130	Blower Speed Relay	X	X	X	X	X	X	X	X	X	X	X	X
12	8201-130	Dehumidification Control Relay				X	X	X				X	X	X
13	8201-159	Dirty Filter Relay (Kit = CMC-33)	0	0	0	0	0	0	0	0	0	0	0	0
14	8607-017	Terminal Block (LAC Kit = CMA-39)	0	0	0	0	0	0	0	0	0	0	0	0
15	8607-042	Blower Speed Terminal Block	X	X	X	X	X	X	X	X	X	X	X	X
16	8201-113	Dehumidification Logic Board				X	X	X				X	X	X
17	S8201-169	Compressor Control Module	X	X	X	X	X	X	X	X	X	X	X	X
18	8407-068	Transformer	X	X		X	X		X	X		X	X	
18	8407-069	Transformer			X			X			X			X
19	8201-126	Phase Monitor		X	X		X	X		X	X		X	X
20	8552-079	Compressor Capacitor	X			X								
20	8552-057	Compressor Capacitor							X			X		
20	8552-005	Outdoor Motor Capacitor		X			X			X			X	
20	8552-004	Outdoor Motor Capacitor			X			X			X			X
21	8550-008	Capacitor Strap	X			X			X			X		
21	8550-003	Capacitor Strap		X	X		X	X		X	X		X	X
22	8551-004	Start Device (PTCR) (Kit = CMC-32)	0			0			0			0		
23	8401-034	Compressor Contactor	X			X			X			X		
23	8401-035	Compressor Contactor		X	X		X	X		X	X		X	X
NS	8615-038	Circuit Breaker 35A 2 Pole ①	0			0								
NS	8615-040	Circuit Breaker 50A 2 Pole ①							0			0		
NS	8615-042	Circuit Breaker 35A 3 Pole ①							0				0	
NS	8615-051	Circuit Breaker 25A 3 Pole ①		0			0							0
NS	8615-095	Toggle Disconnect			0			0			0			0
NS	4213-103	Wiring Diagram							X					
NS	4213-104	Wiring Diagram										X		
NS	4213-107	Wiring Diagram	X											
NS	4213-108	Wiring Diagram				X								
NS	4213-203	Wiring Diagram							X					
NS	4213-204	Wiring Diagram											X	
NS	4213-207	Wiring Diagram		X										
NS	4213-208	Wiring Diagram					X							
NS	4213-303	Wiring Diagram								X				
NS	4213-304	Wiring Diagram												X
NS	4213-307	Wiring Diagram			X									
NS	4213-308	Wiring Diagram					X							
NS	3000-1613	Blower Power Plug	X	X	X	X	X	X	X	X	X	X	X	X
NS	3000-1614	Blower Speed Plug							X	X	X	X	X	X
NS	3000-1690	Blower Speed Plug	X	X	X	X	X	X						
NS	3000-1222	Compressor Plug/Harness	X			X			X			X		
NS	3000-1230	Compressor Plug/Harness		X	X		X	X		X	X		X	X
NS	3003-053	Control Panel Wire Harness	X						X					
NS	3003-081	Control Panel Wire Harness					X	X					X	X
NS	3003-055	Control Panel Wire Harness		X	X					X	X			
NS	3003-080	Control Panel Wire Harness				X						X		
NS	3000-1608	Low Voltage Terminal Block Wire Harness	X	X	X	X	X	X	X	X	X	X	X	X

NS = Not Shown

CONTROL PANEL – STANDARD & DEHUMIDIFICATION

Dwg No.	Part Number	Description	W5SAC-A	W5SAC-B	W5SAC-C	W5SACDA	W5SACDB	W5SACDC
1	117-411	Control Panel	X	X	X	X	X	X
2	S910-2108	Complete Low Voltage Box Assembly (Sheet metal, Terminal Strip, & Wire Harness)	X	X	X	X	X	X
3	135-394	Wire Shield	X	X	X	X	X	X
4	8611-140-3208	Cable Duct - 32.5"	X	X	X	X	X	X
5	8611-140-0608	Cable Duct - 6.5" x 1" wide	X	X	X	X	X	X
6	8611-244-0608	Cable Duct - 6.5" x 1.5" wide	X	X	X	X	X	X
7	8607-021	Low Voltage Terminal Strip - 8 term.	O	O	O	O	O	O
8	8607-071	Low Voltage Terminal Strip - 20 term.	X	X	X	X	X	X
9	3000-1524	Vent Jumper Plug (used when no vent option)	X	X	X	X	X	X
10	8201-130	Alarm Relay (Kit = CMA-42)	O	O	O	O	O	O
11	8201-130	Blower Speed Relay	X	X	X	X	X	X
12	8201-130	Dehumidification Control Relay				X	X	X
13	8201-130	Dirty Filter Relay (Kit = CMC-33)	O	O	O	O	O	O
14	8607-017	Terminal Block (LAC Kit = CMA-39)	O	O	O	O	O	O
15	8607-042	Blower Speed Terminal Block	X	X	X	X	X	X
17	S8201-169	Compressor Control Module	X	X	X	X	X	X
18	8407-068	Transformer	X	X		X	X	
18	8407-069	Transformer			X			X
19	8201-126	Phase Monitor		X	X		X	X
20	8552-055	Compressor Capacitor	X			X		
20	8552-005	Outdoor Motor Capacitor		X			X	
20	8552-004	Outdoor Motor Capacitor			X			X
21	8550-008	Capacitor Strap	X			X		
21	8550-003	Capacitor Strap		X	X		X	X
22	8551-004	Start Device (PTCR)	O	O	O	O	O	O
23	8401-034	Compressor Contactor	X			X		
23	8401-035	Compressor Contactor		X	X		X	X
24	8201-130	Second Stage Dehumidification Relay				X	X	X
NS	8615-040	Circuit Breaker 50A 2 Pole ①	O			O		
NS	8615-043	Circuit Breaker 40A 3 Pole ①		O			O	
NS	8615-095	Toggle Disconnect			O			O
NS	4213-103	Wiring Diagram	X					
NS	4213-104	Wiring Diagram				X		
NS	4213-203	Wiring Diagram		X				
NS	4213-204	Wiring Diagram					X	
NS	4213-303	Wiring Diagram			X			
NS	4213-304	Wiring Diagram						X
NS	3000-1613	Blower Power Plug	X	X	X	X	X	X
NS	3000-1614	Blower Speed Plug	X	X	X	X	X	X
NS	3000-1222	Compressor Plug/Harness	X			X		
NS	3000-1230	Compressor Plug/Harness		X	X		X	X
NS	3000-1223	Staging Harness	X	X	X	X	X	X
NS	3003-053	Control Panel Wire Harness	X					
NS	3003-055	Control Panel Wire Harness		X	X			
NS	3003-080	Control Panel Wire Harness				X		
NS	3003-081	Control Panel Wire Harness					X	X
NS	3000-1608	Low Voltage Terminal Block Wire Harness	X	X	X	X	X	X

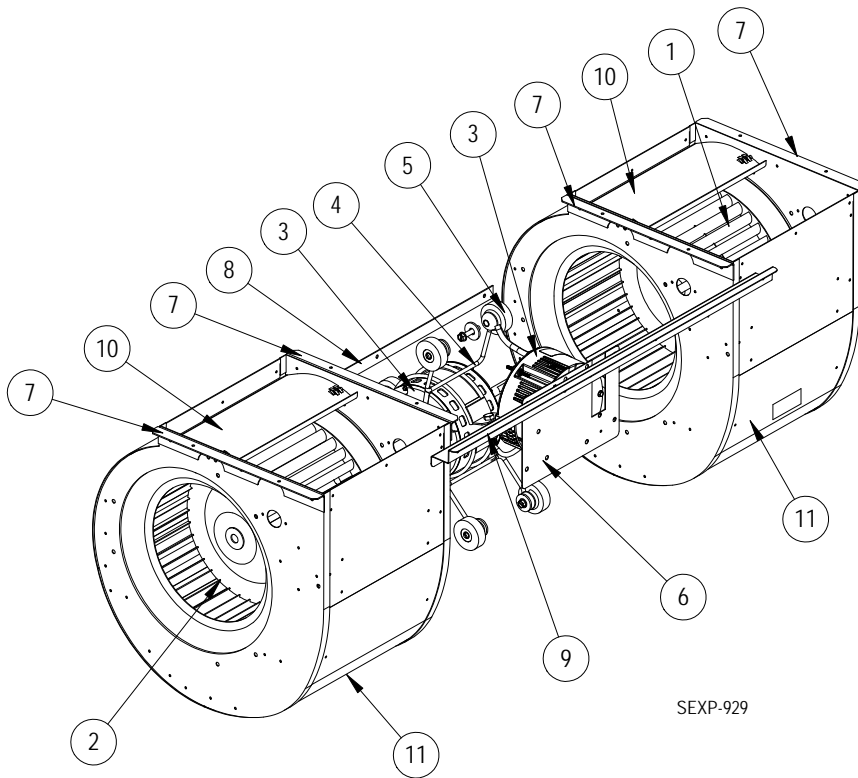
NS = Not Shown

① Circuit breakers listed are for units without electric heat, "OZ" models. See heater replacement parts manual for units with electric heat.

X – Standard Component

O – Optional Component

BLOWER ASSEMBLY



SEXP-929

Dwg No.	Part Number	Description	S900-387-001	S900-388-001	S900-368-007	S900-368-006	S900-369-007	S900-369-006
1	5152-057	9 Inch Wheel (CW)	X	X				
1	5152-011	10 Inch Wheel (CW)			X	X	X	X
2	5152-058	9 Inch Wheel (CCW)	X	X				
2	5152-012	10 Inch Wheel (CW)			X	X	X	X
3	S8106-068-0206	Programmed Blower Motor & Control (230/208V)	X					
3	S8106-069-0207	Programmed Blower Motor & Control (460V)		X				
3	S8107-028-0204	Programmed Blower Motor & Control (230/208V)			X			
3	S8107-028-0202	Programmed Blower Motor & Control (230/208V)				X		
3	S8107-029-0205	Programmed Blower Motor & Control (460V)					X	
3	S8107-029-0203	Programmed Blower Motor & Control (460V)						X
3	C8106-068-0206	Programmed Control Only (230/208V)	0					
3	C8106-069-0207	Programmed Control Only (460V)		0				
3	C8107-028-0204	Programmed Control Only (230/208V)			0			
3	C8107-028-0202	Programmed Control Only (230/208V)				0		
3	C8107-029-0205	Programmed Control Only (460V)					0	
3	C8107-029-0203	Programmed Control Only (460V)						0
4	8200-040	Motor Mount	X	X	X	X	X	X
5	5451-011	Grommets	6	6	6	6	6	6
6	112-775	Motor Control Bracket	X	X	X	X	X	X
7	105-880	Side Angle	4	4	4	4	4	4
8	105-881	Back Brace	X	X	X	X	X	X
9	103-541	Front Mounting Offset	X	X	X	X	X	X
10	144-166	Diffuser	2	2	2	2	2	2
11	151-101	Blower Housing	2	2	2	2	2	2