

---

# REPLACEMENT PARTS MANUAL

---

## 11EER Step Capacity 2 Stage Wall Mount Air Conditioner

Models:

W5SAC-A W5SAC-B W5SAC-C

---

### Contents

<u>Description</u>	<u>Page</u>
External Parts	
♦ Exploded View .....	2
♦ Usage List .....	3
Internal Parts	
♦ Exploded View .....	4
♦ Usage List .....	5
Functional Components	
♦ Exploded View .....	6
♦ Usage List .....	7
Control Panel	
♦ Layout View .....	8
♦ Usage List .....	9
Blower Assembly	
♦ Exploded View .....	10
♦ Usage List .....	10

### General Notes

- Revised and/or additional pages may be issued from time to time.
- A complete and current manual consists of pages shown in the following contents section.

### Important

- Contact the installing and/or local Bard distributor for all parts requirements. Make sure to have the complete model and serial number available from the unit rating plates.



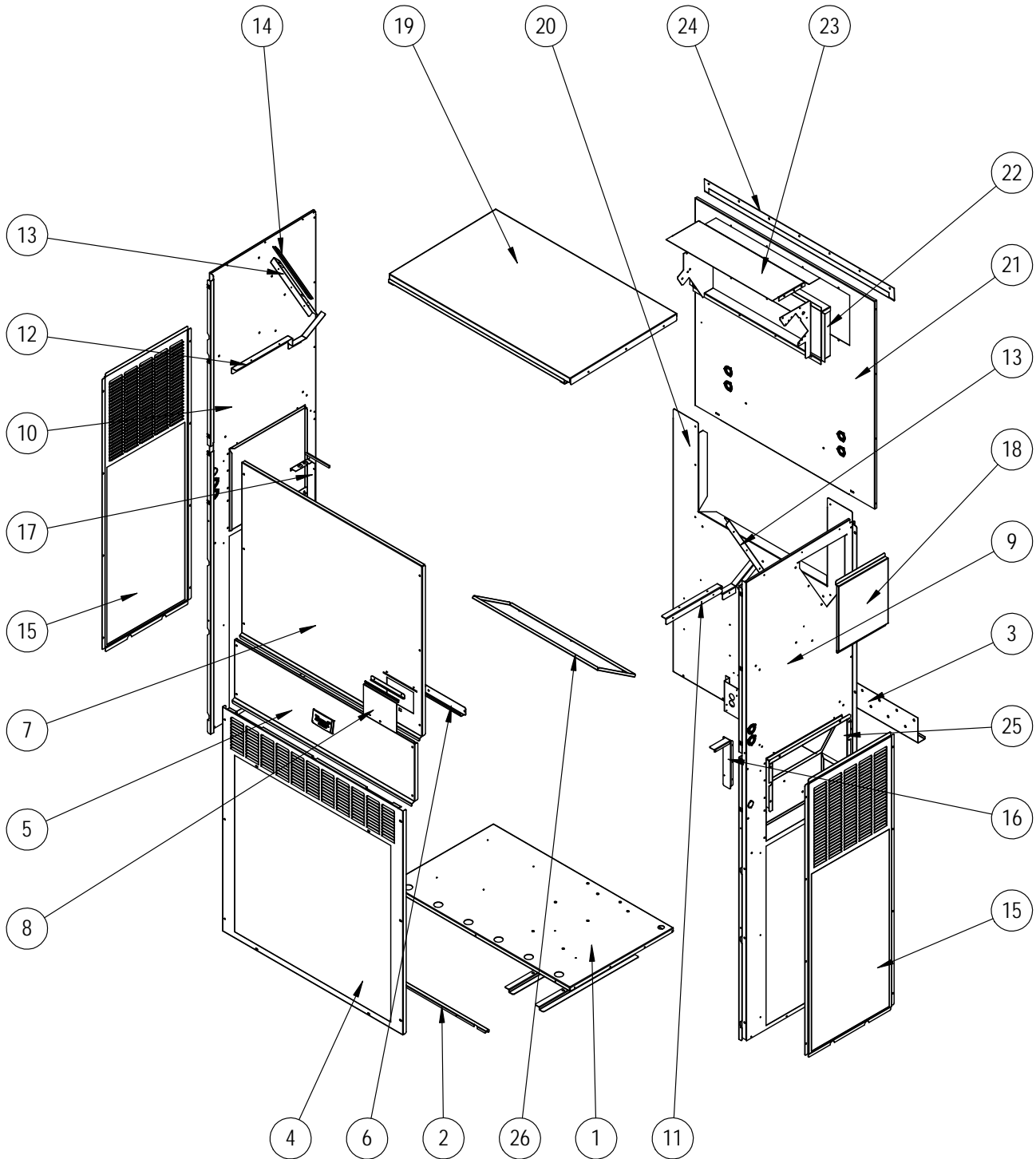
Bard Manufacturing Company, Inc.  
Bryan, Ohio 43506  
www.bardhvac.com

Manual: 2110-1461  
Supersedes: **NEW**  
Date: 9-19-19

Climate Control Solutions

---

# EXTERNAL PARTS



SEXP-932

# EXTERNAL PARTS

Dwg No.	Part Number	Description	W55AC-A, B, C
1	S127-574	Unit Base	X
1	S127-584 ③	Unit Base	O
2	113-762	Front Base Bracket	X
2	113-797 ③	Front Base Bracket	O
3	113-140	Bottom Mounting Bracket	X
4	119-127-* ①	Front Grille	X
4	119-133 ②	Front Grille	O
4	119-137 ③	Front Grille	O
5	S533-301-* ①	Control Panel Cover (Outer)	X
5	S533-309 ②	Control Panel Cover (Outer)	O
5	S533-310 ③	Control Panel Cover (Outer)	O
6	S165-608-* ①	Rain Channel	X
6	S165-609 ②	Rain Channel	O
6	S165-610 ③	Rain Channel	O
7	S515-324-* ①	Upper Front	X
7	S515-329 ②	Upper Front	O
7	S515-331 ③	Upper Front	O
8	153-717-* ①	Disconnect Access Door	X
8	153-723 ②	Disconnect Access Door	O
8	153-724 ③	Disconnect Access Door	O
9	S501-1055-* ①	Right Side	X
9	S501-1074 ②	Right Side	O
9	S501-1078 ③	Right Side	O
10	501-1056-* ①	Left Side	X
10	501-1075 ②	Left Side	O
10	501-1079 ③	Left Side	O
11	105X1454	Right Support Angle	X
12	105Y1454	Left Support Angle	X
13	105-1455	Coil Support	2
14	147-054	Coil Support Offset	X
15	119-128-* ①	Side Grille	2
15	119-134 ②	Side Grille	2
15	119-138 ③	Side Grille	2
16	105-1450	Right Control Panel Angle	X
17	105-1451	Left Control Panel Angle	X
18	S543-221-* ①	Heater Access Cover	X
18	S543-228 ②	Heater Access Cover	O
18	S543-229 ③	Heater Access Cover	O
19	507-382-* ①	Top	X
19	507-391 ②	Top	O
19	507-392 ③	Top	O
20	109-414	Lower Back	X
20	109-420 ②	Lower Back	O
20	109-424 ③	Lower Back	O
21	S509-413	Upper Back	X
21	S509-419 ②	Upper Back	O
21	S509-423 ③	Upper Back	O
22	S111-299	Outlet Air Frame Assembly	X
23	535-129	Heat Shield	X
24	113-150-* ①	Top Rain Flashing	X
24	113-150-4 ②	Top Rain Flashing	O
24	113-359 ③	Top Rain Flashing	O
25	539-406	Fresh Air Damper Assembly	X
25	543-222	Intake Blank Off Plate	O
26	543-220	Exhaust Blank Off Plate	X

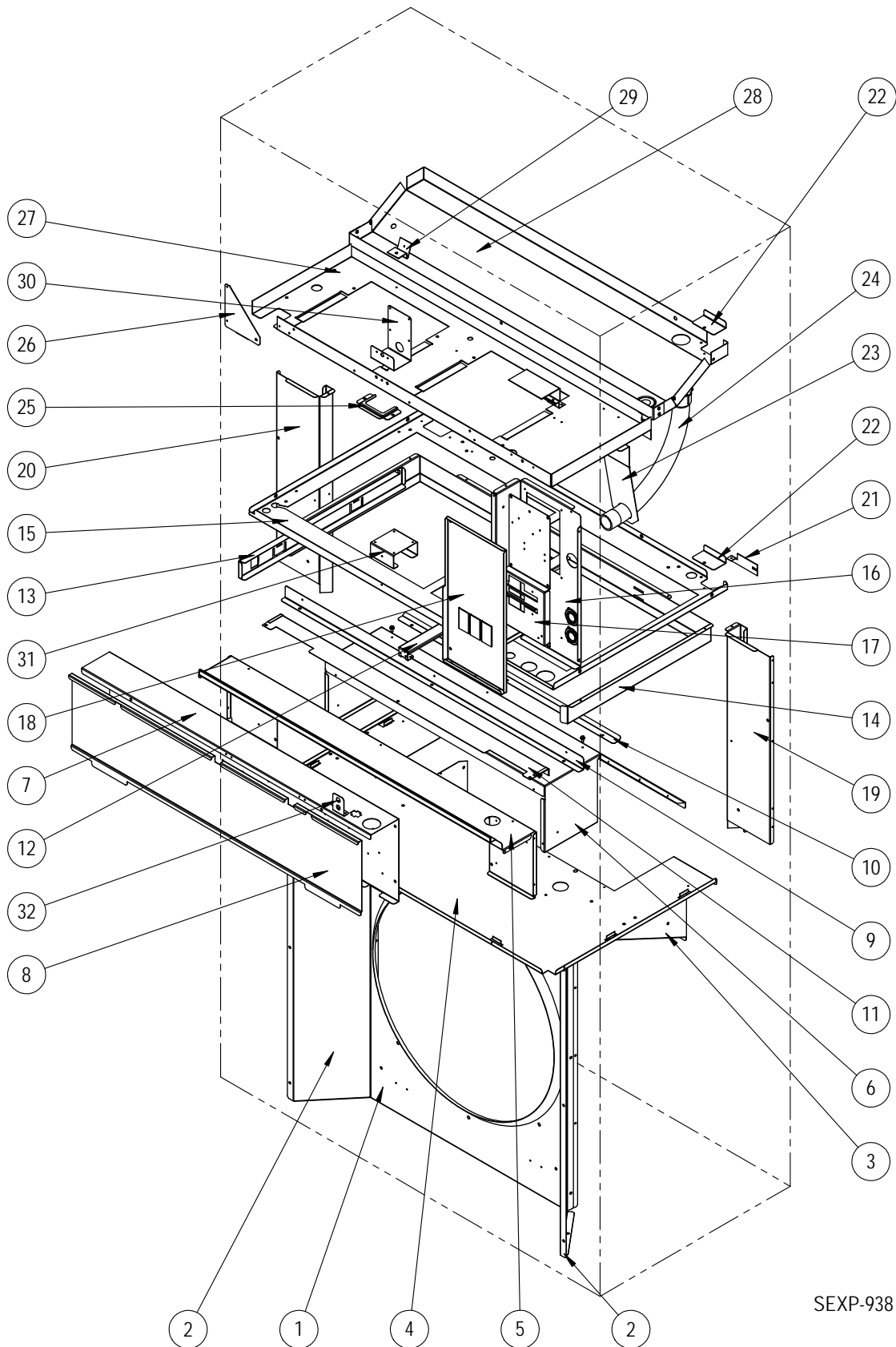
① Exterior cabinet parts are manufactured with various paint color options. To ensure the proper paint color is received, include the complete model and serial number of the unit for which cabinet parts are being ordered.

② Exterior cabinet parts are manufactured from aluminum Code "A" (#24 - Top rain flashing not available in aluminum; order 113-150-4 (Buckeye Gray).

③ Exterior cabinet parts are manufactured from stainless steel Code "S"

X – Standard Component  
O – Optional Component

# INTERNAL PARTS



SEXP-938

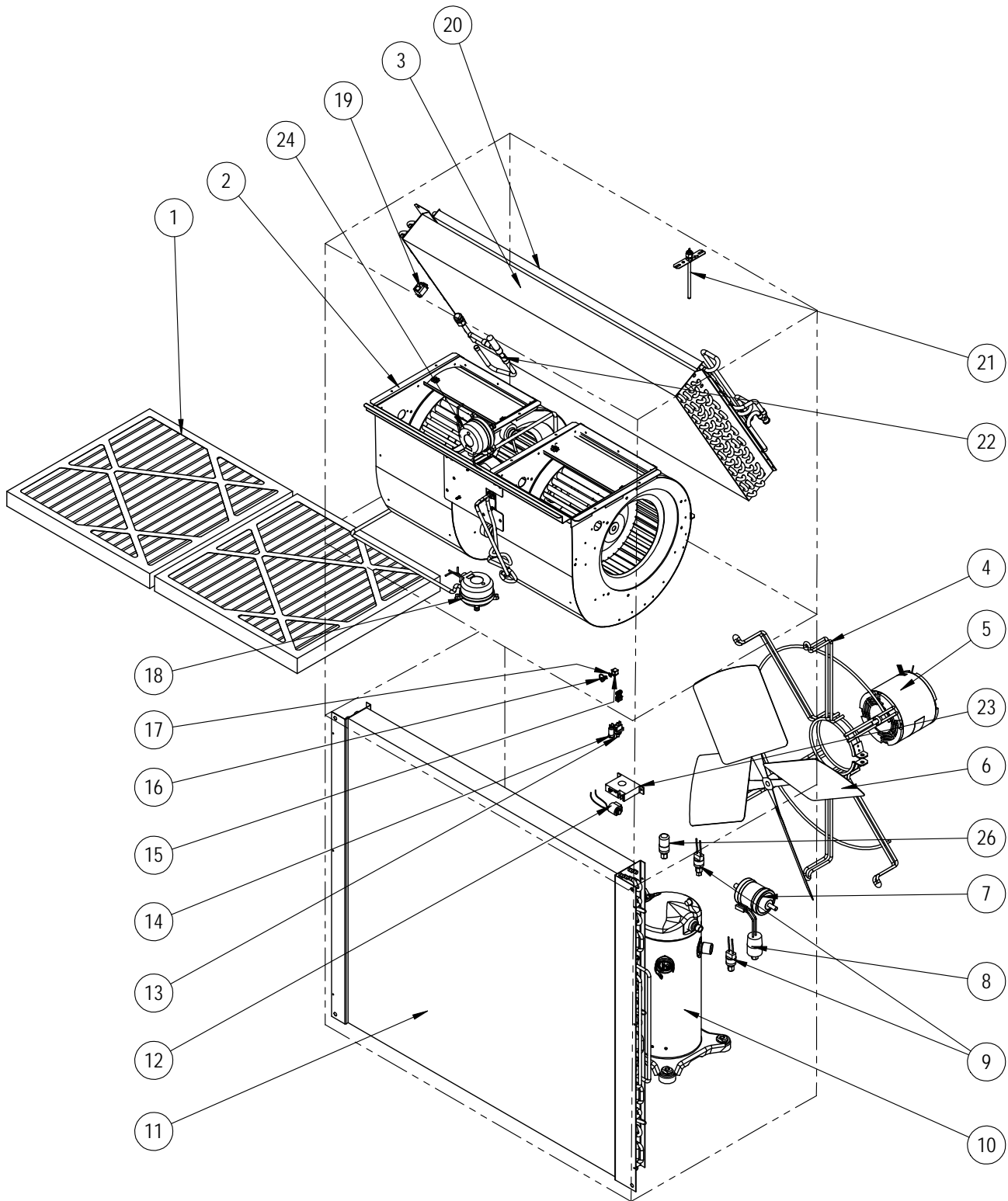
# INTERNAL PARTS

Dwg No.	Part Number	Description	WSSAC-A, B	WSSAC-C
1	125-091	Fan Shroud	X	X
1	125-095 ①	Fan Shroud	0	0
2	S125-092	Fan Shroud Side Access Cover	2	2
2	S125-096 ①	Fan Shroud Side Access Cover	2	2
3	121-586	Condenser Partition Insert	X	X
3	121-600 ①	Condenser Partition Insert	0	0
4	121-585	Condenser Partition	X	X
4	121-599 ①	Condenser Partition	0	0
5	521-584	Front Exhaust Partition	X	X
6	521-587	Exhaust Partition	X	X
7	Control Panel Assy.	See Control Panel Assy. Drawing & Parts List	X	X
8	S133-302	Control Panel Cover (Inner)	X	X
9	105-1453	Front Vent Guide Rail	X	X
10	105-1452	Vent Guide Rail	X	X
11	S135-392	Field Wire Shield	X	X
12	131-168	Filter Support Bracket	2	2
13	131-170	Filter Slide	X	X
14	131-169	Filter Rack Frame	X	X
15	121-583	Filter Partition	X	X
16	117-412	Upper Control Panel	X	X
17	127-575	Circuit Breaker Base	X	
17	127-585	Circuit Breaker Base - 460V		X
18	S133-303	Upper Control Panel Cover	X	
18	S133-304	Upper Control Panel Cover - 460V		X
19	135X393	Right Copper Chase	X	X
19	135X397 ①	Right Copper Chase	0	0
20	135Y393	Left Copper Chase	X	X
20	135Y397 ①	Left Copper Chase	0	0
21	113-796	Copper Retainer	2	2
22	137-920	Copper Fill Plate	2	2
23	113-766	Conduit Bracket	X	X
24	8611-235	Conduit Elbow	X	X
25	113-765	Grommet Retainer	X	X
26	141-492	Blower Partition Support	X	X
27	121-582	Blower Partition	X	X
28	523-161	Drain Pan	X	X
28	523-162 ①②	Drain Pan	0	0
29	113-816	TXV mounting Bracket	X	X
30	113-787	Airflow Switch Bracket	0	0
31	113-788	Filter Switch Bracket	0	0
32	113-789	Filter Switch Light Bracket	0	0

- ① Exterior cabinet parts are manufactured from stainless steel Code "S"  
 ② For aluminum units, order 523-162 stainless steel drain pan.

X – Standard Component  
 O – Optional Component

# FUNCTIONAL COMPONENTS



SEXP-1009

# FUNCTIONAL COMPONENTS

Dwg No.	Part Number	Description	W5SAC-A	W5SAC-B	W5SAC-C
1	7004-012	Air Filter 1" Throw-Away (20 x 20 x 1)	2	2	2
1	7003-085 ②	Air Filter 1" Washable (20 x 20 x 1)	2	2	2
1	7004-052 ②	Air Filter 2" Merv 8 (20 x 20 x 2)	2	2	2
1	7004-060 ②	Air Filter 2" Merv 11 (20 x 20 x 2)	2	2	2
1	7004-063 ②	Air Filter 2" Merv 13 (20 x 20 x 2)	2	2	2
2	S900-368-002	Blower Assembly	X	X	
2	S900-369-002	Blower Assembly - 460V			X
3	917-0376	Evaporator Coil	X	X	X
3	917-0377	Evaporator Coil	0	0	0
4	8200-004	Fan Motor Mount	X	X	X
4	8200-051 ①	Fan Motor Mount	0	0	0
5	8105-068	Condenser Motor	X	X	
5	8105-071	Condenser Motor - 460V			X
6	5151-060	Fan Blade	X	X	X
6	5151C060 ①	Fan Blade - Coated	0	0	0
7	5201-022	Filter Drier	X	X	X
8	CMA-39	Low Ambient Control (LAC)	0	0	0
9	8406-142	High Pressure Switch	X	X	X
9	8406-140	Low Pressure Switch	X	X	X
10	8000-449	Compressor	X		
10	8000-450	Compressor		X	
10	8000-451	Compressor			X
11	5051-223BX	Condenser Coil	X	X	X
11	5054-223BX	Condenser Coil - Coated	0	0	0
12	8408-055	Outdoor Temperature Sensor	0	0	0
13	3000-1638	Dirty Filter Reset Switch	0	0	0
14	8611-094	Red Indicator Light - 24VAC	0	0	0
15	1171-023	1/4 Turn Receptacle	X	X	X
16	1171-022	1/4 Turn Fastener	X	X	X
17	1171-024	1/4 Turn Retainer	X	X	X
18	8301-057	Filter Pressure Switch	0	0	0
19	CMC-29	Freeze Protection Thermostat	0	0	0
21	910-1224	Supply Air Temperature Sensor	0	0	0
22	905-0761	Expansion Valve Assembly	X	X	X
23	8301-013	Current Sensor	0	0	0
24	8301-057	Airflow Pressure Switch	0	0	0
NS	CMA-39	LAC Kit = Item #'s 8,12,19	0	0	0
NS	CMC-33	Dirty Filter Switch Kit = Item #'s 13,14,18	0	0	0
NS	CMA-44	DDC Kit = Item #'s 8,12,13,14,18,19,21,23,24	0	0	0
NS	5451-024	Tubing Isolation Grommet	2	2	2
NS	6031-009	Coremax Valve Core	2	2	2
NS	1171-028	Control Panel Door Clip	4	4	4
NS	1171-057	Control Panel Door Screw	4	4	4
NS	1171-027	Control Panel Door Screw Retainer	4	4	4

NS – Not Shown

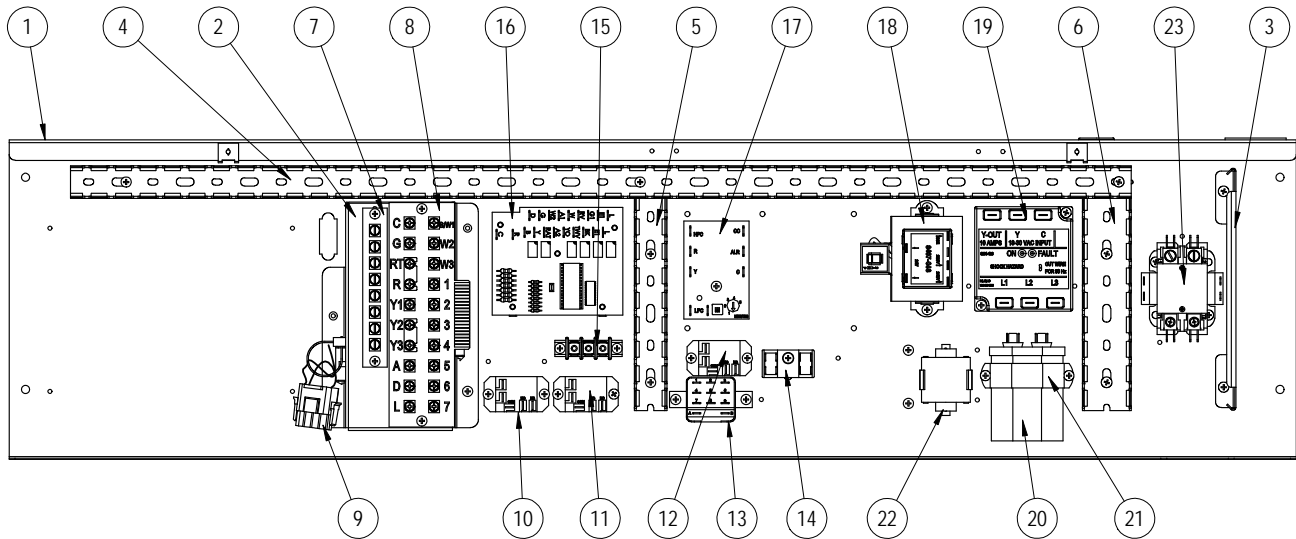
① – Used with stainless steel cabinet option

② – Optional on these models

X – Standard Component

O – Optional Component

# CONTROL PANEL



SEXP-996



# CONTROL PANEL

Dwg No.	Part Number	Description	W5SAC-A	W5SAC-B	W5SAC-C
1	117-411	Control Panel	X	X	X
2	S910-2108	Complete Low Voltage Box Assembly (Sheet metal, Terminal Strip, & Wire Harness)	X	X	X
3	135-394	Wire Shield	X	X	X
4	8611-140-3208	Cable Duct - 32.5"	X	X	X
5	8611-140-0608	Cable Duct - 6.5" x 1" wide	X	X	X
6	8611-244-0608	Cable Duct - 6.5" x 1.5" wide	X	X	X
7	8607-021	Low Voltage Terminal Strip - 8 term.	O	O	O
8	8607-071	Low Voltage Terminal Strip - 20 term.	X	X	X
9	3000-1524	Vent Jumper Plug (used when no vent option)	X	X	X
10	8201-130	Alarm Relay (Kit = CMA-42)	O	O	O
11	8201-130	Blower Speed Relay	X	X	X
13	8201-130	Dirty Filter Relay (Kit = CMC-33)	O	O	O
14	8607-017	Terminal Block (LAC Kit = CMA-39)	O	O	O
15	8607-042	Blower Speed Terminal Block	X	X	X
17	8201-164	Compressor Control Module	X	X	X
18	8407-068	Transformer	X	X	
18	8407-069	Transformer			X
19	8201-126	Phase Monitor		X	X
20	8552-055	Compressor Capacitor	X		
20	8552-005	Outdoor Motor Capacitor		X	
20	8552-004	Outdoor Motor Capacitor			X
21	8550-008	Capacitor Strap	X		
21	8550-003	Capacitor Strap		X	X
22	8551-004	Start Device (PTCR)	O	O	O
23	8401-034	Compressor Contactor	X		
23	8401-035	Compressor Contactor		X	X
NS	8615-041	Circuit Breaker 60A 2 Pole ①	O		
NS	8615-043	Circuit Breaker 40A 3 Pole ①		O	
NS	S8615-067	Toggle Disconnect			O
NS	4095-103	Wiring Diagram	X		
NS	4095-203	Wiring Diagram		X	
NS	4095-303	Wiring Diagram			X
NS	3000-1613	Blower Power Plug	X	X	X
NS	3000-1614	Blower Speed Plug	X	X	X
NS	3000-1222	Compressor Plug/Harness	X		
NS	3000-1230	Compressor Plug/Harness		X	X
NS	3000-1223	Staging Harness	X	X	X
NS	3003-053	Control Panel Wire Harness	X		
NS	3003-055	Control Panel Wire Harness		X	X
NS	3000-1608	Low Voltage Terminal Block Wire Harness	X	X	X

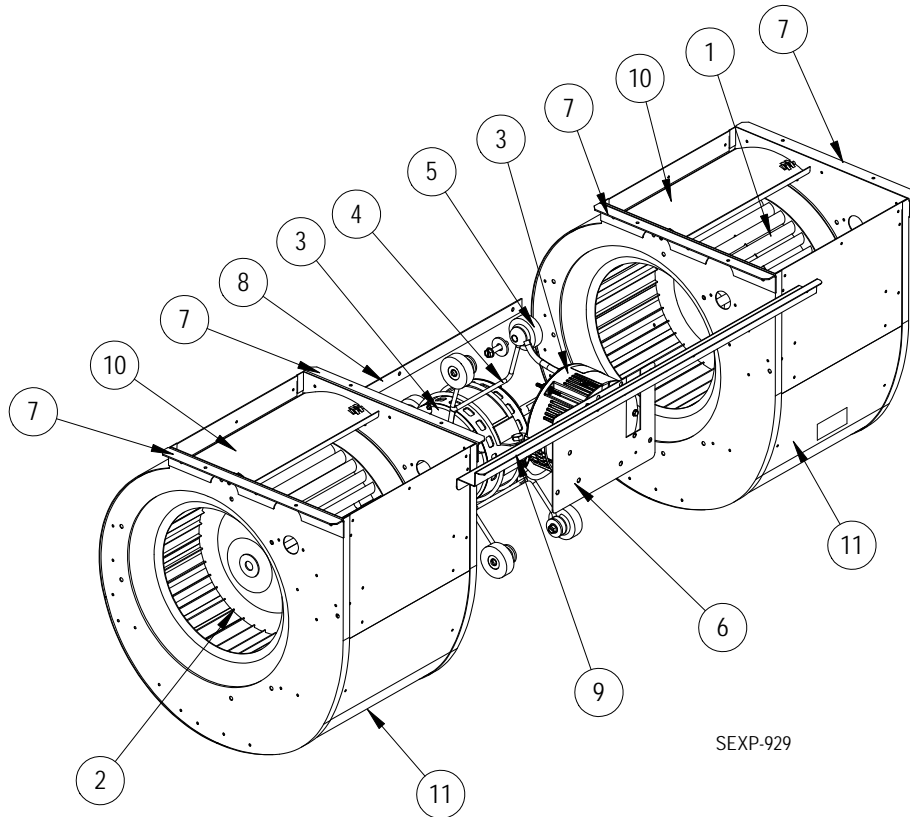
NS = Not Shown

X – Standard Component

① Circuit breakers listed are for units without electric heat, "OZ" models. See heater replacement parts manual for units with electric heat.

O – Optional Component

# BLOWER ASSEMBLY



SEXP-929

Dwg No.	Part Number	Description	S900-368-002	S900-369-002
1	5152-011	10 Inch Wheel (CW)	X	X
2	5152-012	10 Inch Wheel (CW)	X	X
3	S8107-028-0159	Programmed Blower Motor & Control (230/208V)	X	
3	S8107-029-0160	Programmed Blower Motor & Control (460V)		X
3	C8107-030-0159	Programmed Control Only (230/208V)	0	
3	C8107-031-0160	Programmed Control Only (460V)		0
4	8200-040	Motor Mount	X	X
5	5451-011	Grommets	6	6
6	112-775	Motor Control Bracket	X	X
7	105-880	Side Angle	4	4
8	105-881	Back Brace	X	X
9	103-541	Front Mounting Offset	X	X
10	144-166	Diffuser	2	2
11	151-101	Blower Housing	2	2