
REPLACEMENT PARTS MANUAL

AGRI-TEC Unit

Models:

A36RYHA A36RYHD

Contents

| <u>Description</u> | <u>Page</u> |
|-------------------------|-------------|
| External Parts | |
| ♦ Exploded View | 2 |
| ♦ Usage List | 3 |
| Internal Parts | |
| ♦ Exploded View | 4 |
| ♦ Usage List | 5 |
| Functional Components | |
| ♦ Exploded View | 6 |
| ♦ Usage List | 7 |
| Control Panel | |
| ♦ Layout View | 8 |
| ♦ Usage List | 9 |
| Filter Door/Vent Option | |
| ♦ Layout View | 10 |
| ♦ Usage List | 11 |

General Notes

- Revised and/or additional pages may be issued from time to time.
- A complete and current manual consists of pages shown in the following contents section.

Important

- Contact the installing and/or local Bard distributor for all parts requirements. Make sure to have the complete model and serial number available from the unit rating plates.

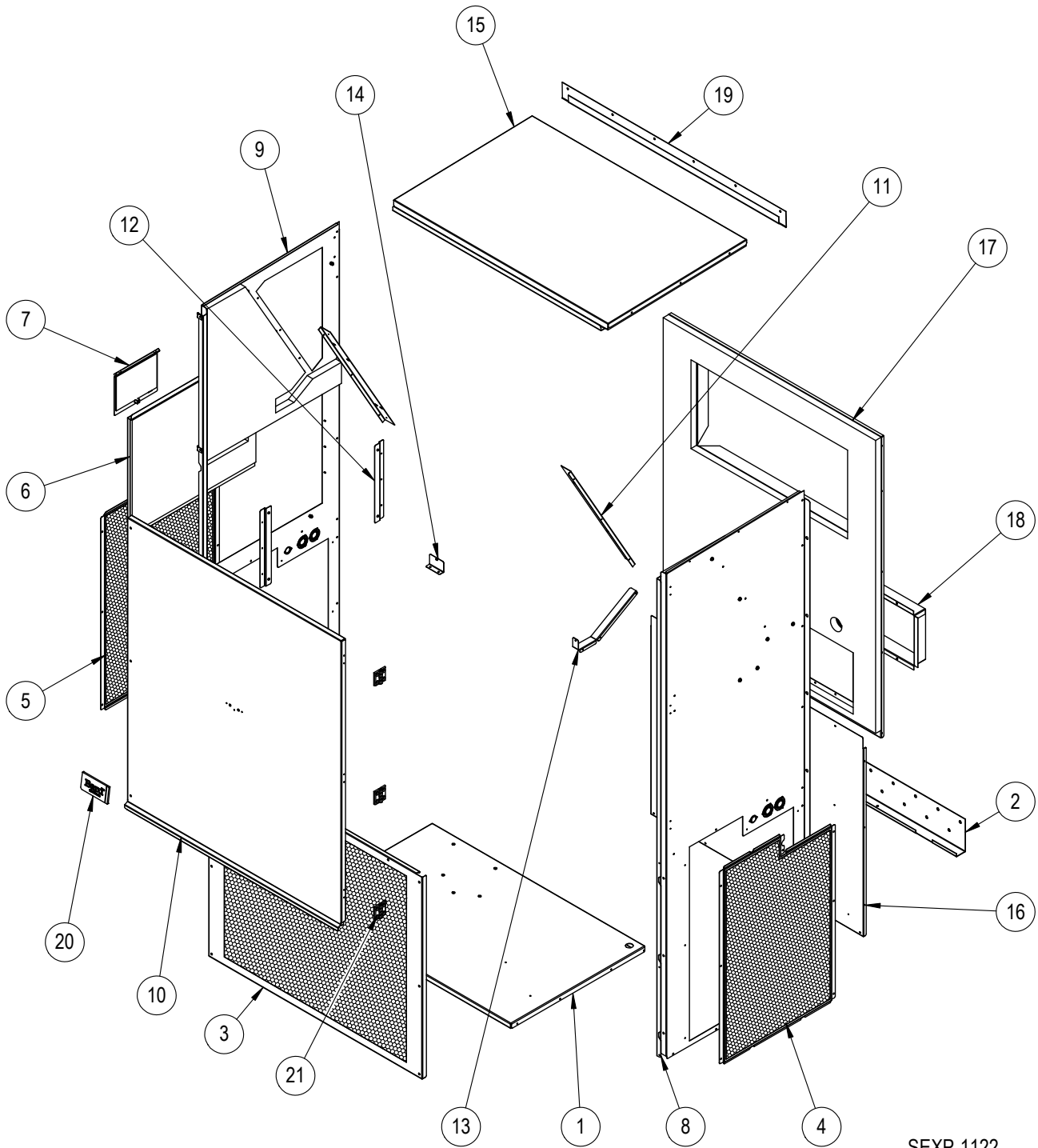


Climate Control Solutions

Bard Manufacturing Company, Inc.
Bryan, Ohio 43506
www.bardhvac.com

Manual: 2110-1475A
Supersedes: 2110-1475
Date: 12-11-23

EXTERNAL PARTS



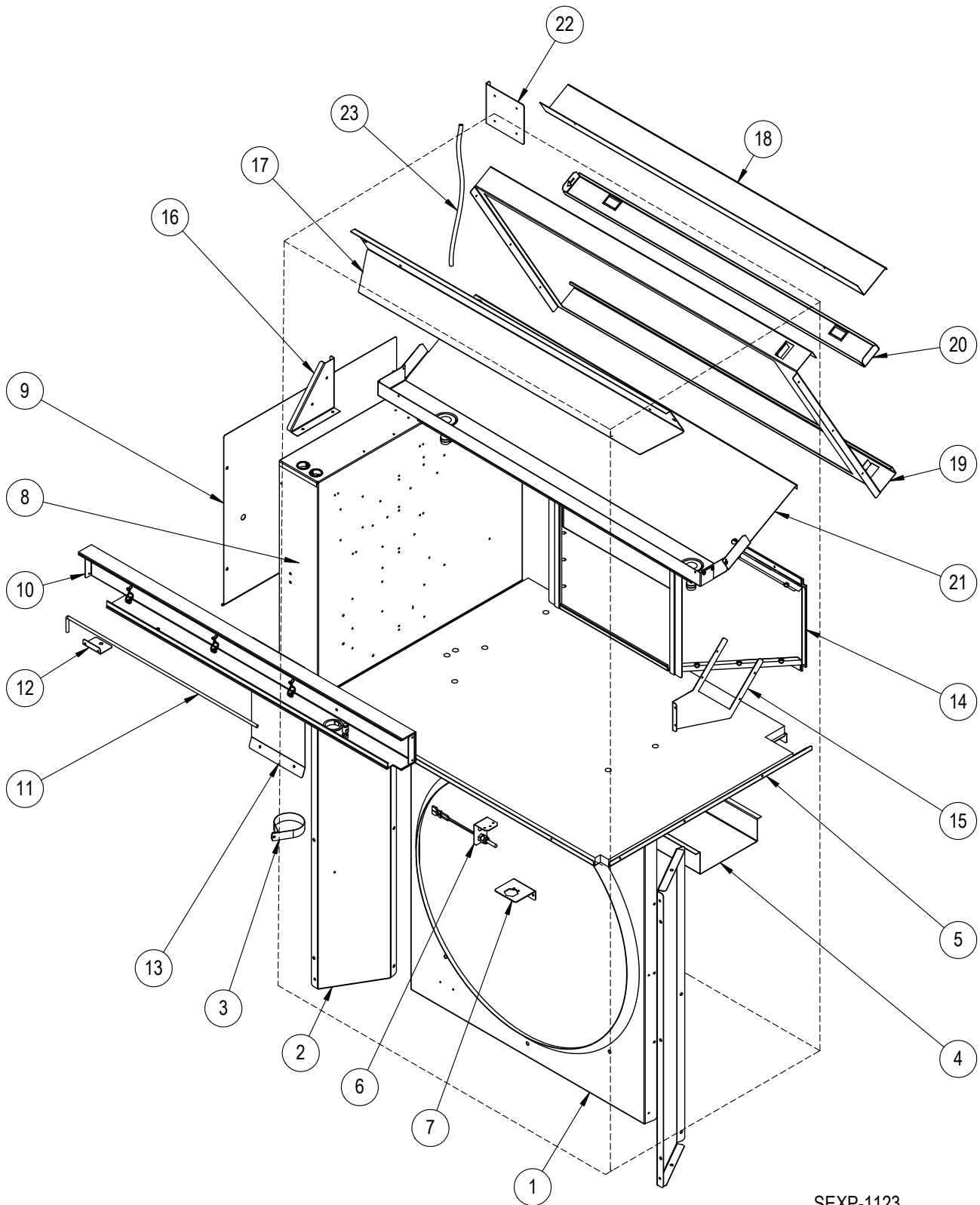
SEXP-1122

EXTERNAL PARTS

| Dwg No. | Part Number | Description | A36RYHA | A36RYHD |
|------------|--------------|----------------------------------|---------|---------|
| 1 | 127-626BX | Unit Base | X | X |
| 2 | 113-140BX | Bottom Support Bracket | X | X |
| 3 | 119-157-*BX | Front Grille | X | X |
| 4 | 119-156-*BX | Side Grille (Right) | X | X |
| 5 | 119-158-*BX | Side Grille (Left) | X | X |
| 6 | 533-357-*BX | Control Panel Cover (Outer) | X | X |
| 7 | 153-717-*BX | Disconnect Access Door | X | X |
| 8 | 501-1160-*BX | Right Side | X | X |
| 9 | 501-1161-*BX | Left Side | X | X |
| 10 | 553-767-*BX | Front Door | X | X |
| 11 | 147-059 | Coil Support Bracket | 2 | 2 |
| 12 | 113-986 | Inner Control Panel Door Bracket | 2 | 2 |
| 13 | 113-980 | Drain Pan Bracket (Right) | X | X |
| 14 | 113-979BX | Drain Pan Bracket (Left) | X | X |
| 15 | 507-419-*BX | Top | X | X |
| 16 | 109-483BX | Lower Back | X | X |
| 17 | 509-482BX | Upper Back | X | X |
| 18 | 111-375BX | Supply Air Frame Assembly | X | X |
| 19 | 113-149-*BX | Top Rain Flashing | X | X |
| 20 | 5252-033 | Bard Nameplate | X | X |
| 21 | 5400-010BX | Metal Leaf Hinge | 3 | 3 |

* Exterior cabinet parts are manufactured with various paint color options. To ensure the proper paint color is received, include the complete model and serial number of the unit for which cabinet parts are being ordered.

INTERNAL PARTS

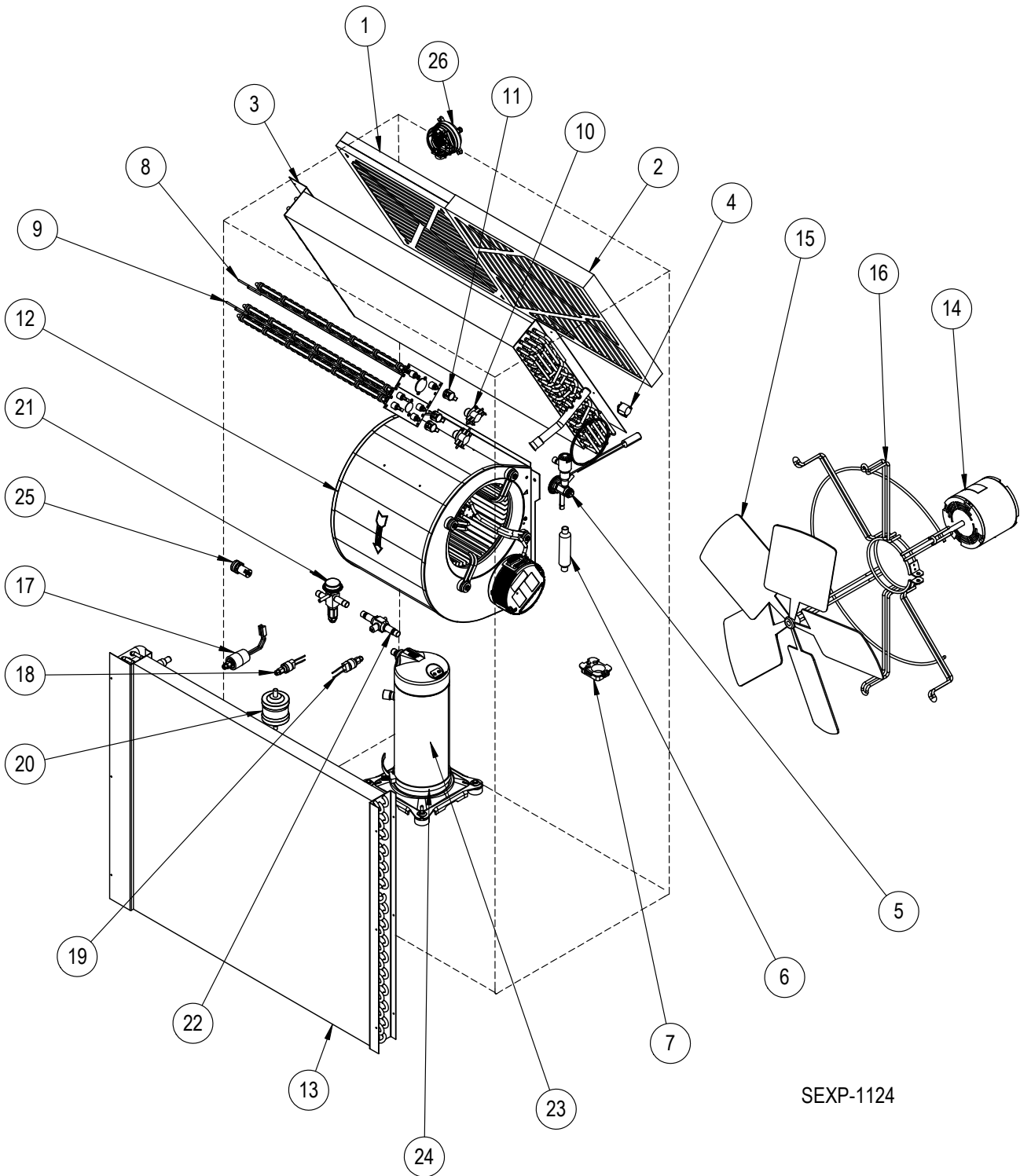


SEXP-1123

INTERNAL PARTS

| Dwg. No. | Part Number | Description | A36RYHA | A36RYHD |
|-------------|---------------------|---|---------|---------|
| 1 | 125-113BX | Fan Shroud | X | X |
| 2 | 125-114BX | Fan Shroud Side Access Cover | 2 | 2 |
| 3 | 8550-011 | Filter Drier Strap | X | X |
| 4 | 165-631BX | Wire Channel | X | X |
| 5 | 521-649BX | Condenser Partition | X | X |
| 6 | 910-2264BX | Outdoor Temp Sensor Assembly | X | X |
| 7 | 113-985BX | Hot Gas Bypass Valve Bracket | X | X |
| 8 | Control Panel Assy. | See CONTROL PANEL on pages 8 and 9 | X | X |
| 9 | 133-358BX | Control Panel Cover (Inner) | X | X |
| 10 | 565-630BX | C-Channel Support Assembly | X | X |
| 11 | 8602-120BX | Prop Rod | X | X |
| 12 | 113-976 | Prop Rod Bracket | X | X |
| 13 | 141-594BX | Blower Support Bracket | X | X |
| 14 | 921-0128BX | Blower Duct Assembly | X | X |
| 15 | 113-978BX | Right Electric Heat Bracket | X | X |
| 16 | 113-977BX | Left Electric Heat Bracket | X | X |
| 17 | 137-1016BX | Evaporator Fill Plate | X | X |
| 18 | 131-197BX | Filter Fill Plate | X | X |
| 19 | 131-198BX | Filter Frame | X | X |
| 20 | 131-199BX | Filter Tray | X | X |
| 21 | 523-173BX | Drain Pan Assembly | X | X |
| 22 | 105-1537BX | Filter Switch Bracket | X | X |
| 23 | 5452-008-1500 | 15" Silicone Hose | X | X |

FUNCTIONAL COMPONENTS



SEXP-1124

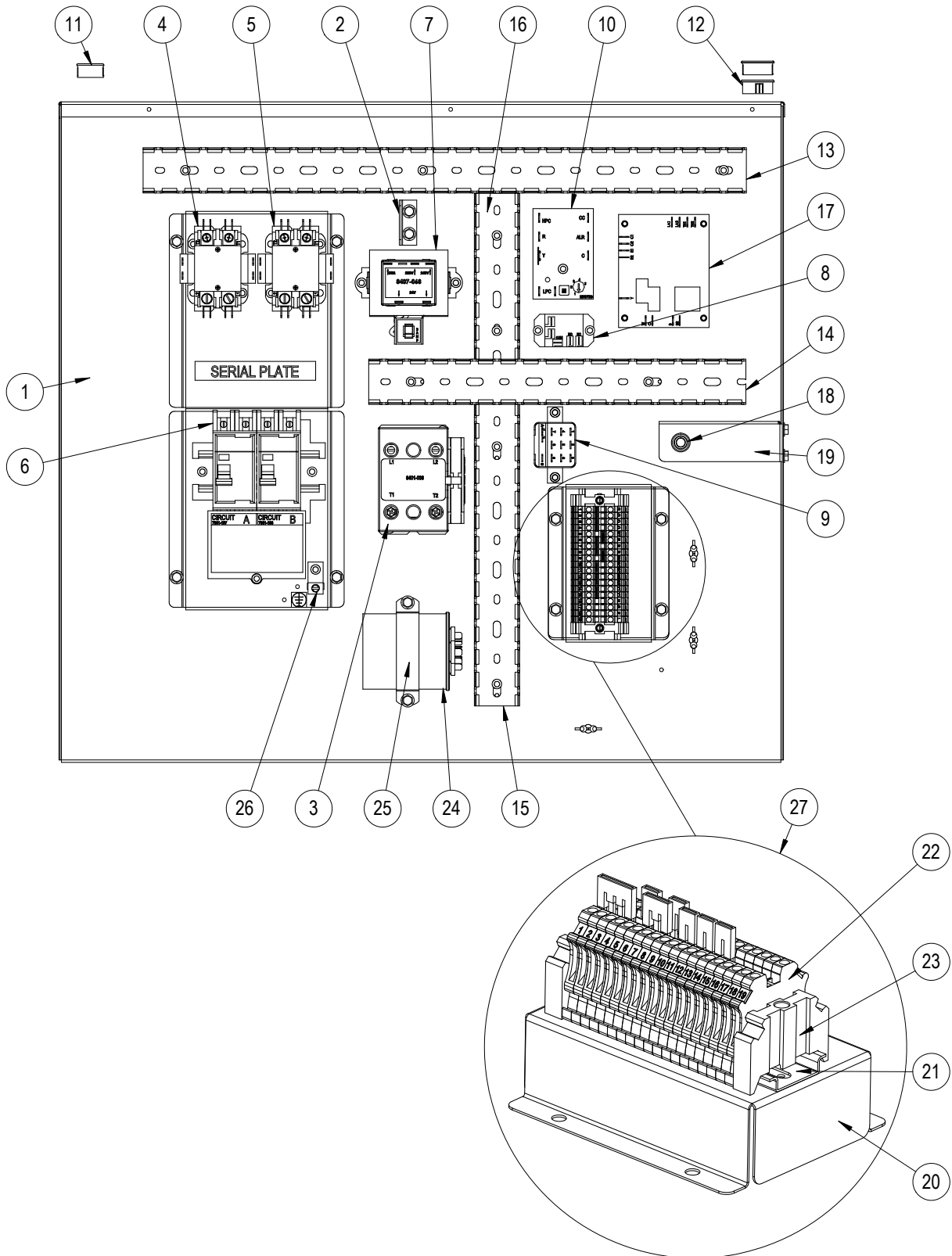
FUNCTIONAL COMPONENTS

| Dwg. No. | Part Number | Description | A36RYHA | A36RYHD |
|----------|-----------------|---|---------|---------|
| 1 | 7004-035 | Air Filter 2" Merv 8 (16 x 20 x 2) | X | X |
| 1 | 7004-073 | Air Filter 2" Merv 11 (16 x 20 x 2) | O | O |
| 1 | 7004-070 | Air Filter 2" Merv 13 (16 x 20 x 2) | O | O |
| 2 | 7004-052 | Air Filter 2" Merv 8 (20 x 20 x 2) | X | X |
| 2 | 7004-060 | Air Filter 2" Merv 11 (20 x 20 x 2) | O | O |
| 2 | 7004-063 | Air Filter 2" Merv 13 (20 x 20 x 2) | O | O |
| 3 | 917-0541BX | Evaporator Coil | X | X |
| 3 | 917-0543BX | Evaporator Coil - Coated | O | O |
| 4 | 8408-048BX | Freeze Protection Thermostat | X | X |
| 5 | 5651-258BX | Distributor & Thermostatic Expansion Valve Assembly | X | X |
| 6 | 5651-219BX | Check Valve | X | X |
| 7 | 5451-024 | Tubing Isolation Grommet | X | X |
| 8 | 8604-118BX | Electric Heat Strip - 5kw | X | X |
| 9 | 8604-116BX | Electric Heat Strip - 10kw | X | X |
| 10 | 8402-229BX | Primary Limit | 2 | 2 |
| 11 | 8402-138BX | Secondary Limit | 3 | 3 |
| 12 | 5154-007-0248BX | Programmed Blower Assembly | X | X |
| 13 | 5051-251BX | Condenser Coil | X | X |
| 13 | 5054-251BX | Condenser Coil - Coated | O | O |
| 14 | 8106-054-0247BX | Programmed Condenser Fan Motor | X | X |
| 15 | 5151-060BX | Fan Blade - 24" 5 Blade | X | X |
| 16 | 8200-049BX | Fan Motor Mount | X | X |
| 17 | 8406-112BX | Low Ambient Control (LAC) | X | X |
| 18 | 8406-142BX | High Pressure Switch | X | X |
| 19 | 8406-135BX | Low Pressure Switch | X | X |
| 20 | 5201-021BX | Filter Drier | X | X |
| 21 | 5651-257BX | Hot Gas Bypass Valve | X | X |
| 22 | 5651-256BX | Refrigerant Ball Valve - 1/2" x 1/2" | X | X |
| 23 | 8000-278BX | Compressor | X | |
| 23 | 8000-312BX | Compressor | | X |
| 24 | 8605-019BX | Crankcase Heater | X | X |
| 25 | 8611-199BX | Red Indicator Light - 24VAC | X | X |
| 26 | 8301-104BX | Filter Pressure Switch | X | X |
| NS | 6031-009 | Coremax Valve Core | 2 | 2 |
| NS | 1012-360 | Control Panel Door Screw | 2 | 2 |
| NS | 1012-130 | Torx Panhead Screw - Slate | 12 | 12 |

NS = Not Shown

X – Standard Component
O – Optional Component

CONTROL PANEL



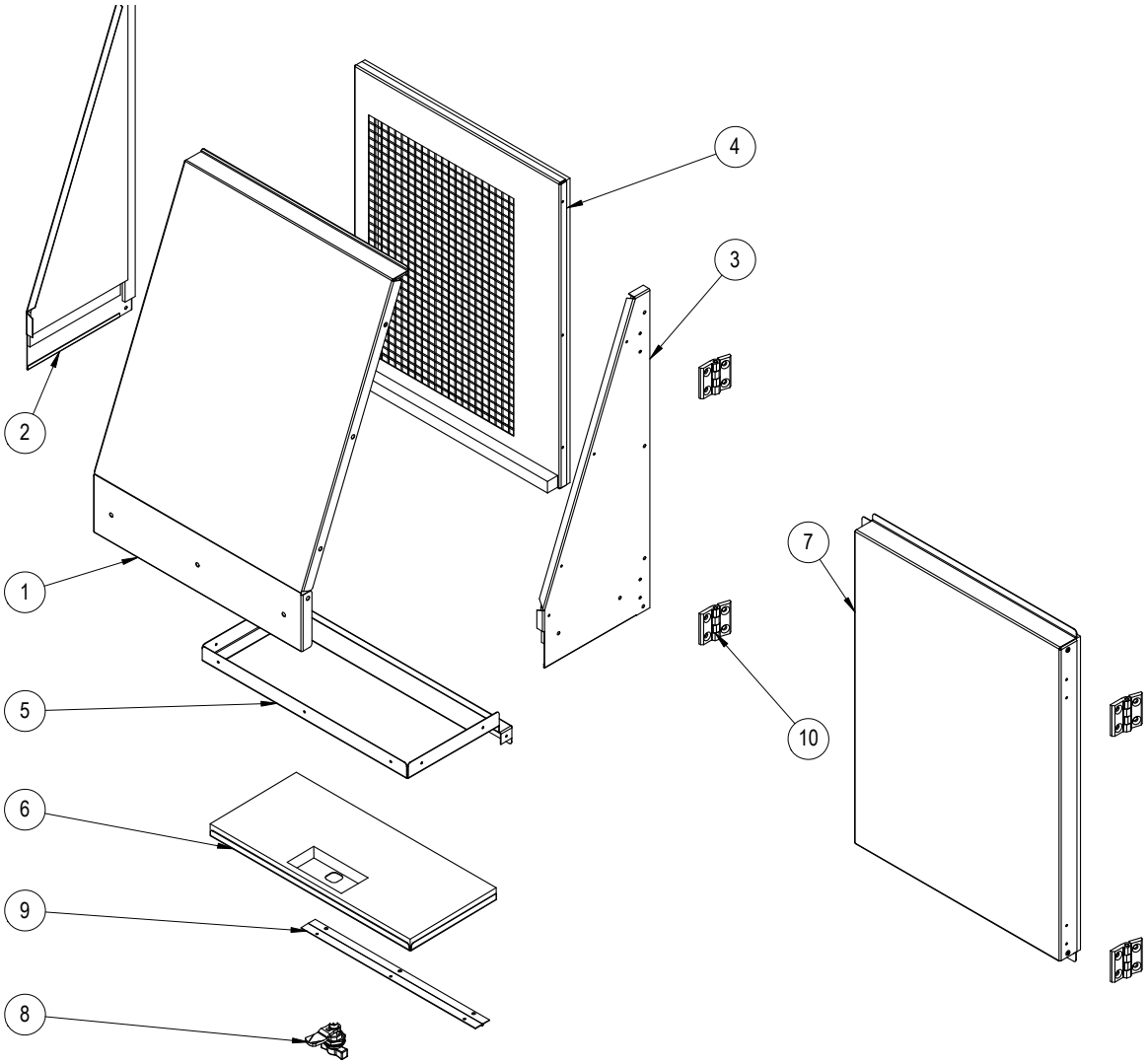
SEXP-1125 A

CONTROL PANEL

| Dwg. No. | Part Number | Description | A36RYHA | A36RYHD |
|-------------|---------------|---|---------|---------|
| 1 | 517-451BX | Control Panel | X | X |
| 2 | 141-595BX | Plug Support Bracket - 3 Pin | X | X |
| 3 | 8401-038BX | Compressor Contactor 2-Pole 40 Amp | X | X |
| 4 | 8401-025BX | Electric Heat Contactor 2-Pole 40 Amp | X | X |
| 5 | 8401-006BX | Electric Heat Contactor 2-Pole 20 Amp | X | X |
| 6 | 8615-041BX | Circuit Breaker 60A 2-Pole | X | X |
| 7 | 8407-068BX | TRANSFORMER 208/240-24 50VA | X | X |
| 8 | 8201-130BX | Pilot Duty Relay -SPDT | X | X |
| 9 | 8201-159BX | Pilot Duty Relay -DPDT | X | X |
| 10 | 8201-171BX | Compressor Control Module | X | X |
| 11 | 8611-016 | Universal Bushing | X | X |
| 12 | 8611-117 | Snap Bushing - 1" | 2 | 2 |
| 13 | 8611-140-2000 | Cable Duct - 20" | X | X |
| 14 | 8611-140-1208 | Cable Duct - 12.5" | X | X |
| 15 | 8611-140-1000 | Cable Duct - 10" | X | X |
| 16 | 8611-140-0508 | Cable Duct - 5.5" | X | X |
| 17 | 8201-166BX | Fan Logic Control Board | X | X |
| 18 | 8406-165BX | Dirty Filter Alarm Reset Switch | X | X |
| 19 | 113-987BX | Reset Switch Bracket | X | X |
| 20 | 127-629BX | Low Voltage Terminal Strip Riser | X | X |
| 21 | 8611-223 | Din Rail - 5" | X | X |
| 22 | 8611-150 | Low Voltage Terminal Block (Individual) | 19 | 19 |
| 23 | 8611-144 | End Clamp for DIN Rail | 2 | 2 |
| 24 | 8552-052BX | Compressor Capacitor - 45/5MFD 370V | X | |
| 24 | 8552-062BX | Compressor Capacitor - 60/5MFD 370V | | X |
| 25 | 8550-008BX | Capacitor Strap | X | X |
| 26 | 8611-006 | Ground Lug Terminal | X | X |
| 27 | 910-2271BX | Low Voltage Assembly | X | X |
| NS | 3000-1796BX | Blower Power Plug/Harness | X | X |
| NS | 3000-1797BX | Blower Speed Plug/Harness | X | X |
| NS | 3000-1224BX | Compressor Plug/Harness | X | X |
| NS | 3003-149BX | Control Panel Wire Harness | X | X |
| NS | 3000-1798BX | Electric Heat Harness - 3 Plug (Male) | X | X |
| NS | 4215-101 | Unit Wiring Diagram | X | X |
| NS | 4216-101 | Electric Heat Wiring Diagram | X | X |

NS = Not Shown

FILTER DOOR/VENT OPTION



SEXP-1126

FILTER DOOR/VENT OPTION

| Dwg No. | Part Number | Description | BOP | MOFAD |
|------------|-------------|--|-----|-------|
| 1 | 539-466-*BX | MOFAD Front Assembly | | X |
| 2 | 539-467-*BX | MOFAD Left Side Assembly | | X |
| 3 | 539-468-*BX | MOFAD Right Side Assembly | | X |
| 4 | 539-469BX | MOFAD Inner Frame Assembly | | X |
| 5 | 139-470-*BX | MOFAD Damper Door Frame | | X |
| 6 | 553-768-*BX | MOFAD Damper Door Assembly | | X |
| 7 | 543-266-*BX | BOP Filter Access Cover Assembly | X | |
| 8 | 1171-072 | Wing Knob Latch | | X |
| 9 | 5400-002BX | Piano Hinge 13" | | X |
| 10 | 5400-010 | Metal Leaf Hinge | 2 | 2 |
| NS | 1012-130 | Torx Panhead Screw - Slate | 4 | 4 |
| NS | 1012-364 | Torx Panhead Machine Screw - Stainless | 6 | 6 |

* Exterior cabinet parts are manufactured with various paint color options. To ensure the proper paint color is received, include the complete model and serial number of the unit for which cabinet parts are being ordered.

NS = Not Shown