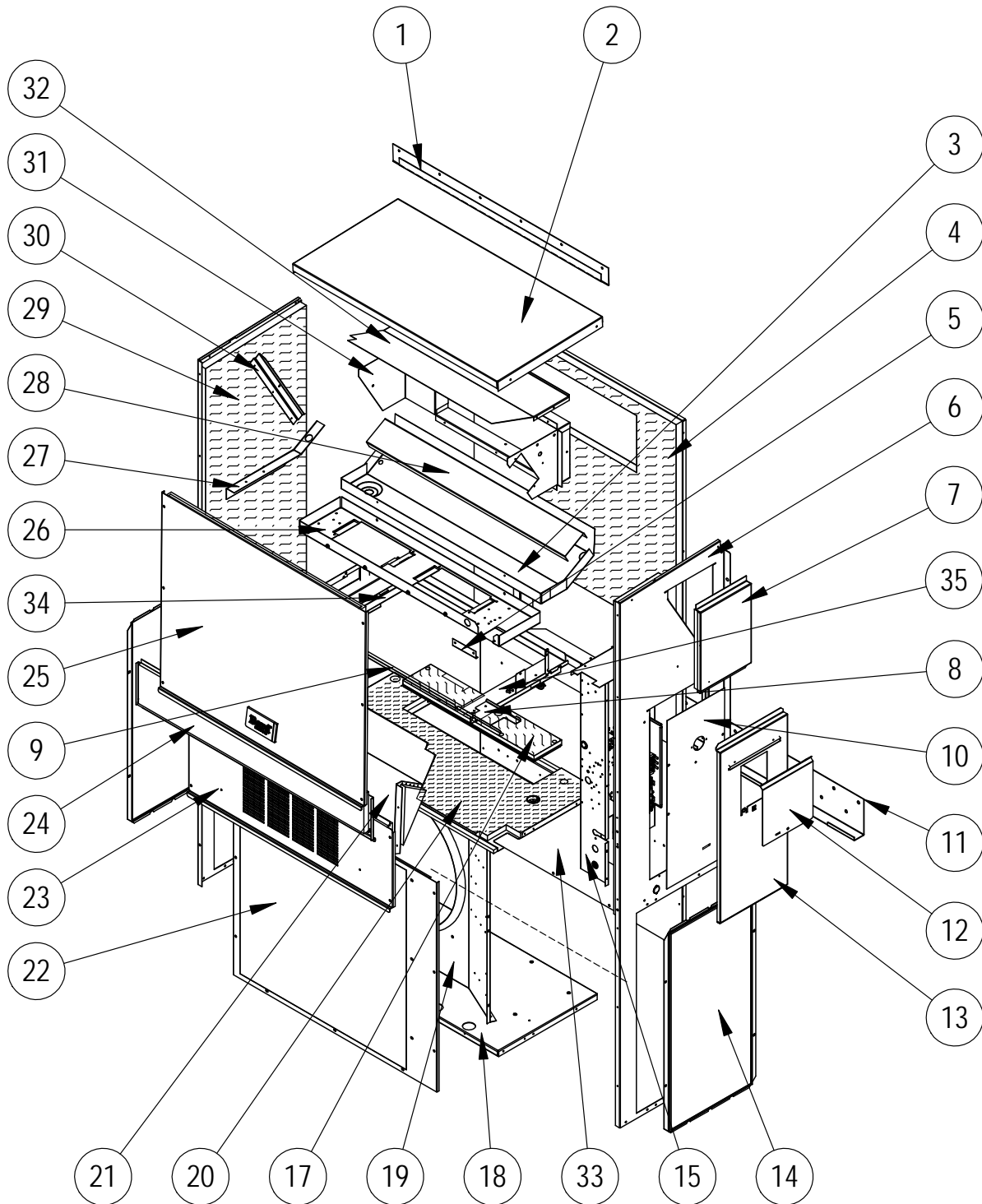




# CABINET COMPONENTS - RIGHT

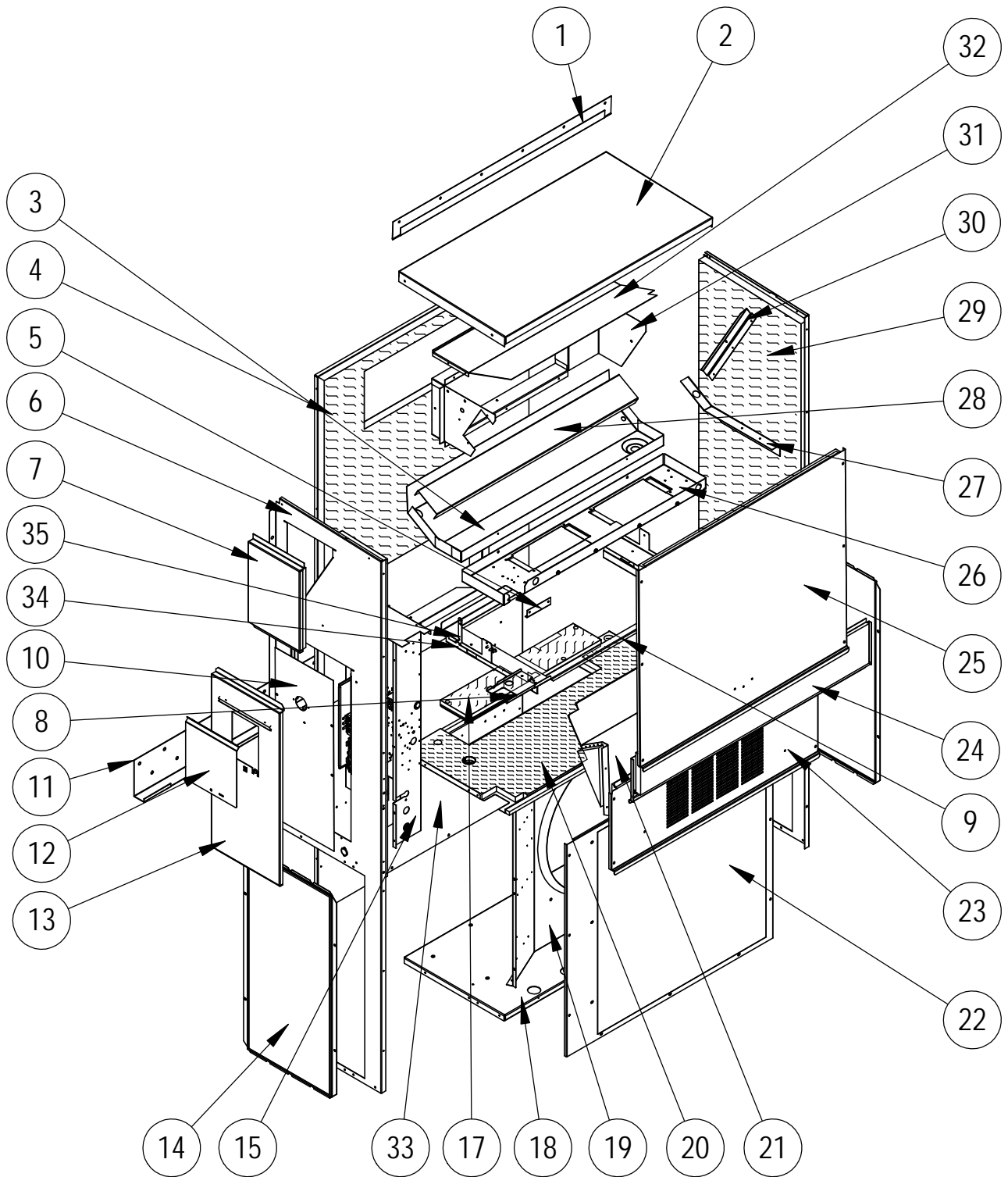


SEXP-1102

## CABINET COMPONENTS – RIGHT

Dwg No.	Part Number	Description	J184Y-A	J244Y-A	J244Y-B	J244Y-C
1	113-141-XBX	Top Rain Flashing	X	X	X	X
2	507-311-XBX	Top	X	X	X	X
3	123-126BX	Drain Pan	X	X	X	X
4	509-445BX	Upper Back	X	X	X	X
5	105-1302BX	Grommet Retainer	X	X	X	X
6	501-933-XBX	Right Side	X	X	X	X
7	543-175-XBX	Right Side Cover Plate (Outer)	X	X	X	X
8	137X1101BX	Filter Fill Plate	X	X	X	X
9	131-196BX	Filter Partition Bracket	X	X	X	X
10	132-104BX	Control Panel Cover (Inner)	X	X	X	
10	132-172BX	Control Panel Cover (Inner)				X
11	113-140BX	Bottom Mounting Bracket	X	X	X	X
12	153-218XBX	Disconnect Access Door	X	X	X	X
13	533-228-XBX	Control Panel Cover (Outer)	X	X	X	X
14	118-124-XBX	Side Grille	2	2	2	2
15	Control Panel Assembly	See <b>Control Panel – Right</b> on pages 10 & 11	X	X	X	X
17	536-176BX	Cond. Partition Block Off Plate	X	X	X	X
18	127-467BX	Lower Base	X	X	X	X
19	125-080BX	Fan Shroud	X	X	X	X
20	521X528BX	Condenser Partition	X	X	X	X
21	FAD-NE2	Fresh Air Damper Assembly	X	X	X	X
22	118-101-XBX	Condenser Grille	X	X	X	X
23	553-537-XBX	Vent Option Door	X	X	X	X
23	553-539-XBX	Vent Option Door with ERV	X	X	X	X
23	553-666-XBX	Vent Option Door with CRV or ECON-S	X	X	X	X
24	553-538-XBX	Filter Door	X	X	X	X
25	514-240-XBX	Upper Front	X	X	X	X
26	121X480BX	Blower Partition	X	X	X	X
27	105X850BX	Side Support	X	X	X	X
28	137-694BX	Bottom Evaporator Fill	X	X	X	X
29	501-934-XBX	Left Side	X	X	X	X
30	147-044BX	Evaporator Support	X	X	X	X
31	111X032BX	Outlet Air Frame Assembly	X	X	X	X
32	135X127BX	Heat Shield	X	X	X	X
33	109-444BX	Lower Back	X	X	X	X
34	131-192BX	Filter Tray Angle	X	X	X	X
35	131X191BX	Filter Partition	X	X	X	X
NS	5252-035	Solair Nameplate	X	X	X	X

# CABINET COMPONENTS - LEFT

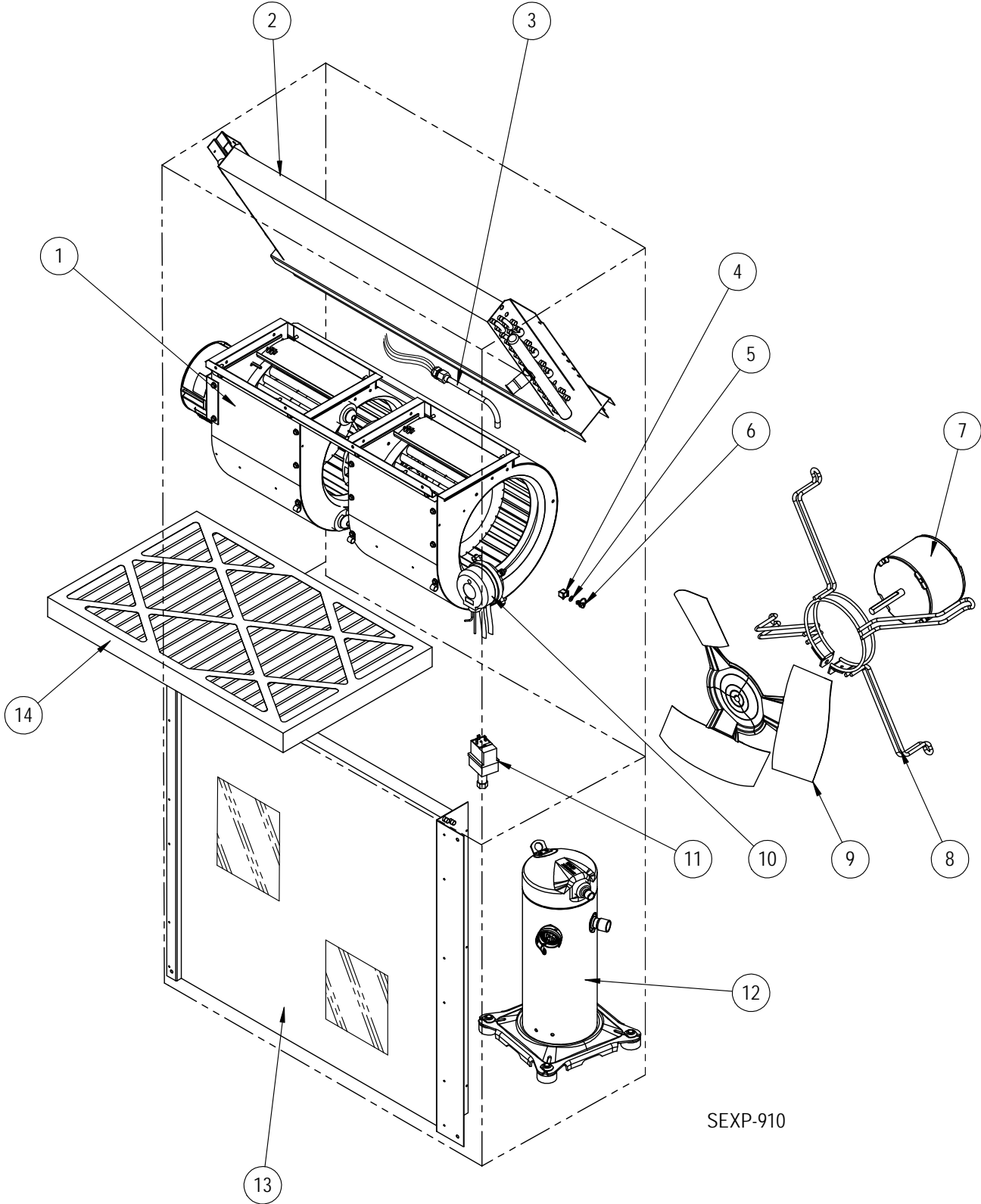


SEXP-1103

## CABINET COMPONENTS – LEFT

Dwg. No.	Part Number	Description	J18LY-A	J24LY-A	J24LY-B
1	113-141-XBX	Top Rain Flashing	X	X	X
2	507-311-XBX	Top	X	X	X
3	123-131BX	Drain Pan	X	X	X
4	509-445BX	Upper Back	X	X	X
5	105-1302BX	Grommet Retainer	X	X	X
6	501-935-XBX	Right Side	X	X	X
7	543-175-XBX	Right Side Cover Plate (Outer)	X	X	X
8	137Y1101BX	Filter Fill Plate	X	X	X
9	131-196BX	Filter Partition Bracket	X	X	X
10	132-104BX	Control Panel Cover (Inner)	X	X	X
11	113-140BX	Bottom Mounting Bracket	X	X	X
12	153-218XBX	Disconnect Access Door	X	X	X
13	533-228-XBX	Control Panel Cover (Outer)	X	X	X
14	118-124-XBX	Side Grille	2	2	2
15	Control Panel Assembly	See <b>Control Panel – Left</b> on pages 12 & 13	X	X	X
17	536-176BX	Cond. Partition Block Off Plate	X	X	X
18	127-468BX	Lower Base	X	X	X
19	125-080BX	Fan Shroud	X	X	X
20	521Y528BX	Condenser Partition	X	X	X
21	FAD-NE2	Fresh Air Damper Assembly	X	X	X
22	118-102-XBX	Condenser Grille	X	X	X
23	553-537-XBX	Vent Option Door	X	X	X
24	553-538-XBX	Filter Door	X	X	X
25	514-240-XBX	Upper Front	X	X	X
26	121Y480BX	Blower Partition	X	X	X
27	105Y850BX	Side Support	X	X	X
28	137-694BX	Bottom Evaporator Fill	X	X	X
29	501-936-XBX	Left Side	X	X	X
30	147-044BX	Evaporator Support	X	X	X
31	111Y032BX	Outlet Air Frame Assembly	X	X	X
32	135Y127BX	Heat Shield	X	X	X
33	109-444BX	Lower Back	X	X	X
34	131-192BX	Filter Tray Angle	X	X	X
35	131Y191BX	Filter Partition	X	X	X
NS	5252-035	Solair Nameplate	X	X	X

# FUNCTIONAL COMPONENTS - RIGHT



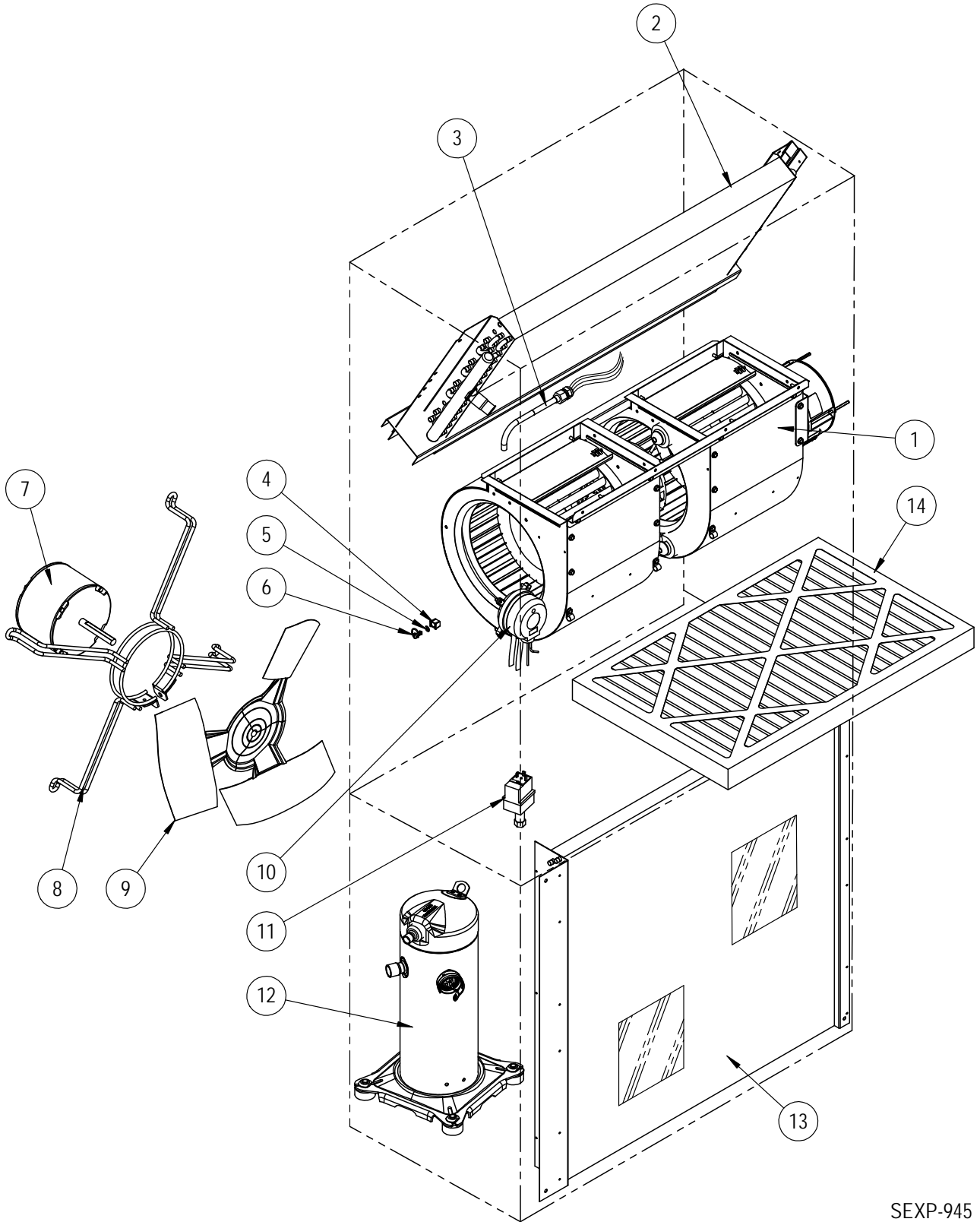
## FUNCTIONAL COMPONENTS – RIGHT

Dwg No.	Part Number	Description	J184Y-A	J244Y-A	J244Y-B	J244Y-C
1	900-358-002BX	Blower Assembly		X	X	
1	900-359-001BX	Blower Assembly				X
1	900-358-001BX	Blower Assembly	X			
2	917-0381BX	Evaporator Coil with Distributor Assembly	X			
2	917-0353BX	Evaporator Coil with Distributor Assembly		X	X	X
3	800-0458BX	Distributor Assembly	X			
3	800-0481BX	Distributor Assembly		X	X	X
4	1171-023	1/4" Receptacle	X	X	X	X
5	1171-024	1/4" Turn Retainer	X	X	X	X
6	1171-022	1/4" Turn Fastener	X	X	X	X
7	8103-028BX	Condenser Motor	X	X	X	
7	8103-030BX	Condenser Motor				X
8	8200-001BX	Fan Motor Mount	X	X	X	X
9	5151-033BX	Fan Blade	X	X	X	
9	5151-046BX	Fan Blade				X
10	CMC-31	Dirty Filter Switch Kit	X	X	X	X
11	CMA-37	Modulating Low Ambient Control (Screw On)	0	0	0	
11	CMA-38	460V Modulating Low Ambient Control				0
12	8000-433BX	Compressor	X			
12	8000-434BX	Compressor		X		
12	8000-435BX	Compressor			X	
12	8000-436BX	Compressor				X
13	5051-205BX	Condenser Coil	X			
13	5051-204BX	Condenser Coil		X	X	X
14	7004-025	Air Filter 2" Pleated (16x25x2)	X	X	X	X
14	7004-011	Air Filter 1" Throw-Away (16x25x1)	0	0	0	0
14	7003-032	Air Filter 1" Washable (16x25x1)	0	0	0	0
14	7004-059	Air Filter 2" Pleated – MERV 11 (16x25x2)	0	0	0	0
14	7004-061	Air Filter 2" Pleated – MERV 13 (16x25x2)	0	0	0	0
NS	8406-142BX	High Pressure Switch (Screw On)	X	X	X	X
NS	8406-140BX	Low Pressure Switch (Screw On)	X	X	X	X
NS	5201-021BX	Filter Drier	X	X	X	X
NS	5451-024	Tubing Isolation Grommet	X	X	X	X
NS	6031-009	Coremax Valve Core	X	X	X	X
NS	1171-028	Filter Door Clip	2	2	2	2
NS	1171-057	Filter Door Screw	2	2	2	2
NS	1171-027	Filter Door Screw Retainer	2	2	2	2
NS	CMC-29	Freeze Thermostat Kit	X	X	X	X

NS – Not Shown

X – Standard Component  
O – Optional Component

# FUNCTIONAL COMPONENTS - LEFT



SEXP-945



## FUNCTIONAL COMPONENTS – LEFT

Dwg No.	Part Number	Description	J18LY-A	J24LY-A	J24LY-B
1	900-363-002BX	Blower Assembly	X	X	X
1	900-363-001BX	Blower Assembly	X		
2	917-0381BX	Evaporator Coil with Distributor Assembly	X		
2	917-0353BX	Evaporator Coil with Distributor Assembly		X	X
3	800-0458BX	Distributor Assembly	X		
3	800-0481BX	Distributor Assembly		X	X
4	1171-023	1/4" Receptacle	X	X	X
5	1171-024	1/4" Turn Retainer	X	X	X
6	1171-022	1/4" Turn Fastener	X	X	X
7	8103-028BX	Condenser Motor	X	X	X
8	8200-001BX	Fan Motor Mount	X	X	X
9	5151-033BX	Fan Blade	X	X	X
10	CMC-31	Dirty Filter Switch Kit	X	X	X
11	CMA-37	Low Ambient Control (Screw On)		O	O
12	8000-433BX	Compressor	X		
12	8000-434BX	Compressor		X	
12	8000-435BX	Compressor			X
13	5051-205BX	Condenser Coil	X		
13	5051-204BX	Condenser Coil		X	X
14	7004-025	Air Filter 2" Pleated (16x25x2)	X	X	X
14	7004-011	Air Filter 1" Throw-Away (16x25x1)	O	O	O
14	7003-032	Air Filter 1" Washable (16x25x1)	O	O	O
14	7004-059	Air Filter 2" Pleated – MERV11 (16x25x2)	O	O	O
14	7004-061	Air Filter 2" Pleated – MERV13 (16x25x2)	O	O	O
NS	8406-142BX	High Pressure Switch (Screw On)	X	X	X
NS	8406-140BX	Low Pressure Switch (Screw On)	X	X	X
NS	5201-021BX	Filter Drier	X	X	X
NS	5451-024	Tubing Isolation Grommet	X	X	X
NS	6031-009	Coremax Valve Core	X	X	X
NS	1171-028	Filter Door Clip	2	2	2
NS	1171-057	Filter Door Screw	2	2	2
NS	1171-027	Filter Door Screw Retainer	2	2	2
NS	CMC-29	Freeze Thermostat Kit	X	X	X

NS – Not Shown

X – Standard Component

O – Optional Component



## CONTROL PANEL – RIGHT

Dwg No.	Part Number	Description	J184Y-A	J244Y-A	J244Y-B	J244Y-C
1	117X137BX	Control Panel Top	X	X	X	X
2	117X407BX	Control Panel	X	X	X	X
3	8407-068BX	Transformer	X	X	X	
3	8407-069BX	Transformer				X
4	8611-006	Ground Terminal	X	X	X	X
5	8401-033BX	Compressor Contactor	X	X		
5	8401-035BX	Compressor Contactor			X	X
6	135-122BX	Wire Shield	X	X	X	X
7	8201-171BX	Compressor Control Module	X	X	X	X
9	8607-017BX	Terminal Block	0	0	0	0
10	8552-047BX	Compressor Capacitor	X			
10	8552-050BX	Compressor Capacitor		X		
10	8552-002BX	Outdoor Motor Capacitor			X	X
11	8201-130BX	Alarm Relay	0	0	0	0
12	8551-004BX	Start Device (PTCR)	0	0		
13	8607-063BX	Low Voltage Terminal Strip	X	X	X	X
14	8611-140-1400	Cable Duct – 14" Piece	X	X	X	X
14	8611-140-0500	Cable Duct – 5" Piece	X	X	X	X
15	8201-174BX	Phase Monitor			X	X
16	8607-042	Blower Speed Terminal	X	X	X	X
17	8201-130BX	Blower Control Relay	X	X	X	X
18	141-595BX	Plug Support Bracket	X	X	X	X
NS	3000-1598BX	Blower Power Plug	X	X	X	X
NS	3000-1607BX	Blower Speed Plug	X			
NS	3000-1599BX	Blower Speed Plug		X	X	X
NS	3000-1524BX	Vent Jumper Plug	X	X	X	X
NS	8615-035BX	Circuit Breaker 20A 2 Pole ①	0			
NS	8615-036BX	Circuit Breaker 25A 2 Pole ①		0		
NS	8615-067BX	Toggle Disconnect ①				0
NS	8615-056BX	Circuit Breaker 15A 3 Pole ①			0	
NS	4213-126	Wiring Diagram	X			
NS	4213-124	Wiring Diagram		X		
NS	4213-224	Wiring Diagram			X	
NS	4213-326	Wiring Diagram				X
NS	3000-1224BX	Compressor Plug/Harness	X	X		
NS	3000-1231BX	Compressor Plug/Harness			X	X
NS	3003-126BX	Control Panel Harness		X		
NS	3003-127BX	Control Panel Harness			X	X
NS	3003-131BX	Control Panel Harness	X			
NS	3000-1608BX	Low Voltage Terminal Block Harness	X	X	X	X
NS	910-2047BX	Complete Low Voltage Box Assembly (Sheet Metal, LVTS & Wire Harness)	X	X	X	X

NS = Not Shown

X – Standard Component

① Circuit breakers listed are for units without electric heat, "OZ" models.  
See heater replacement parts manual for units with electric heat.

0 – Optional Component



## CONTROL PANEL – LEFT

Dwg No.	Part Number	Description	J18LY-A	J24LY-A	J24LY-B
1	117Y137BX	Control Panel Top	X	X	X
2	117Y407BX	Control Panel	X	X	X
3	8407-068BX	Transformer	X	X	X
4	8611-006	Ground Terminal	X	X	X
5	8401-033BX	Compressor Contactor	X	X	
5	8401-035BX	Compressor Contactor			X
6	135-122BX	Wire Shield	X	X	X
7	8201-171BX	Compressor Control Module	X	X	X
9	8607-017BX	Terminal Block	O	O	O
10	8552-047BX	Compressor Capacitor	X		
10	8552-050BX	Compressor Capacitor		X	
10	8552-002BX	Outdoor Motor Capacitor			X
11	8201-130BX	Alarm Relay	O	O	O
12	8551-004BX	Start Device (PTCR)	O	O	O
13	8607-062BX	Low Voltage Terminal Strip	X	X	X
14	8611-140-1400	Cable Duct – 14" Piece	X	X	X
14	8611-140-0500	Cable Duct – 5" Piece	X	X	X
15	8201-174BX	Phase Monitor			X
16	8607-042	Blower Speed Terminal	X	X	X
17	8201-130BX	Blower Control Relay	X	X	X
18	141-595BX	Plug Support Bracket	X	X	X
NS	3000-1598BX	Bower Power Plug	X	X	X
NS	3000-1607BX	Blower Speed Plug	X		
NS	3000-1599BX	Blower Speed Plug		X	X
NS	3000-1524BX	Vent Jumper Plug	X	X	X
NS	8615-035BX	Circuit Breaker 20A 2 Pole ①	O		
NS	8615-036BX	Circuit Breaker 25A 2 Pole ①		O	
NS	8615-056BX	Circuit Breaker 15A 3 Pole ①			O
NS	4213-126	Wiring Diagram	X		
NS	4213-124	Wiring Diagram		X	
NS	4213-224	Wiring Diagram			X
NS	3000-1224BX	Compressor Plug/Harness	X	X	
NS	3000-1231BX	Compressor Plug/Harness			X
NS	3003-126BX	Control Panel Harness		X	
NS	3003-127BX	Control Panel Harness			X
NS	3003-131BX	Control Panel Harness	X		
NS	3000-1608BX	Low Voltage Terminal Block Harness	X	X	X
NS	910-2048BX	Complete Low Voltage Box Assembly (Sheet Metal, LVTS & Wire Harness)	X	X	X

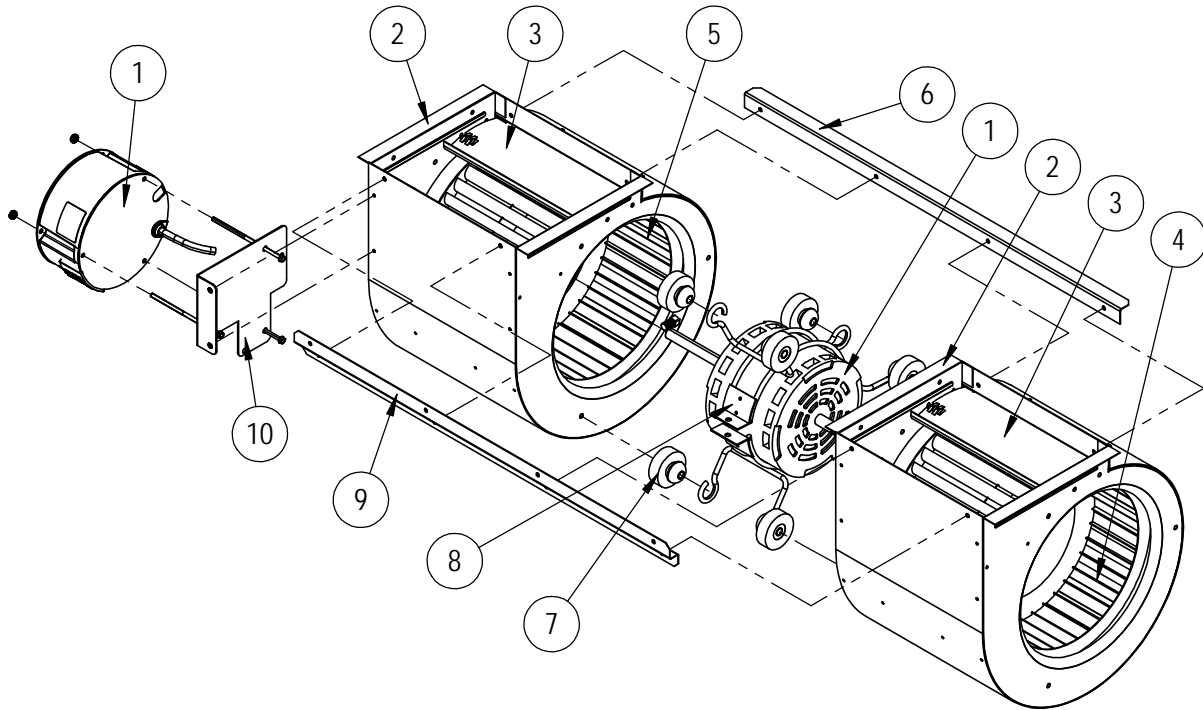
NS = Not Shown

① Circuit breakers listed are for units without electric heat, "OZ" models. See heater replacement parts manual for units with electric heat.

X – Standard Component

O – Optional Component

# BLOWER ASSEMBLY – RIGHT



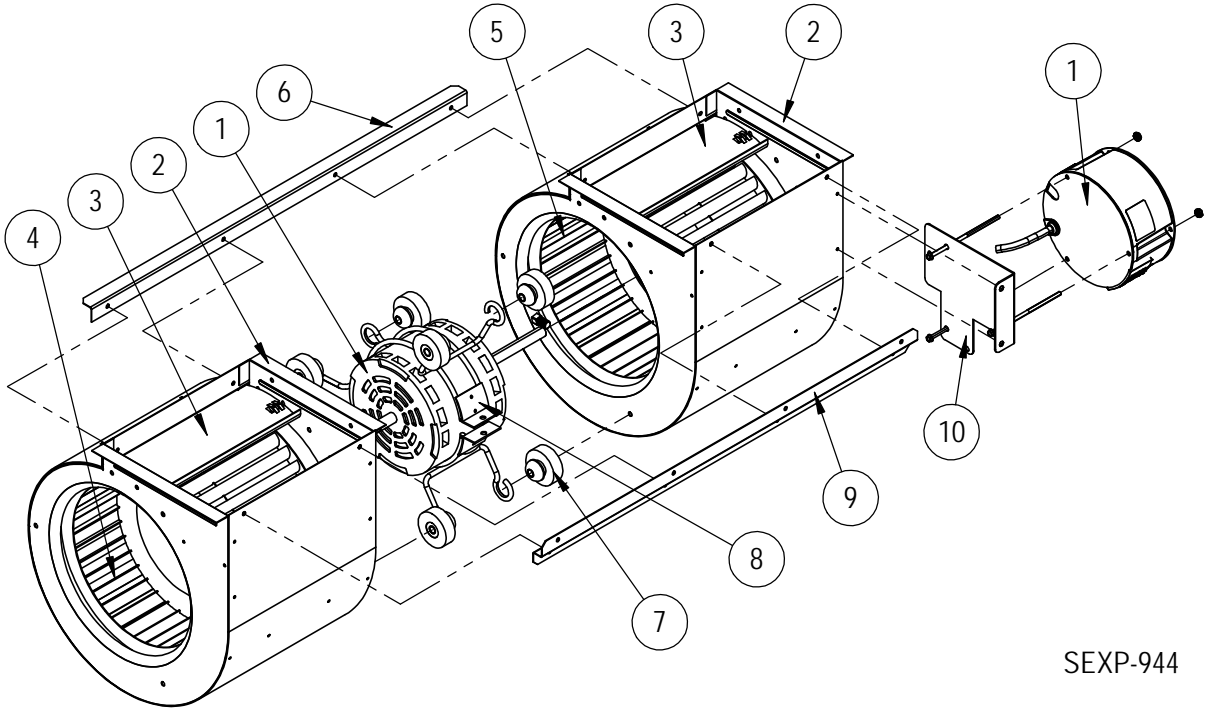
SEXP-909

Dwg No.	Part Number	Description	900-358-001BX	900-358-002BX	900-359-001BX
1	8105-064-0147BX	Blower Motor & Control (230/208V)	X		
1	8105-064-0148BX	Blower Motor & Control (230/208V)		X	
1	8105-065-0149BX	Blower Motor & Control (460V)			X
1	C8105-064-0147	Programmed Control Only (230/208V)	0		
1	C8105-064-0148	Programmed Control Only (230/208V)		0	
1	C8105-065-0149	Programmed Control Only (460V)			0
2	151-115BX	Housing	2	2	2
3	144-183BX	Cutoff	X	X	X
4	5152-092BX	Wheel 9-6 CW	X	X	X
5	5152-093BX	Wheel 9-6 CCW	X	X	X
6	105-1061BX	Back Brace	X	X	X
7	5451-011	Grommets	6	6	6
8	8200-031BX	Motor Mount	X	X	X
9	103-435BX	Front Brace	X	X	X
10	113-721BX	Motor Control Bracket	X	X	

X – Standard Component

O – Optional Component

# BLOWER ASSEMBLY - LEFT



SEXP-944

Dwg No.	Part Number	Description	900-363-001BX	900-363-002BX
1	8105-064-0147BX	Blower Motor & Control (230/208V)	X	
1	8105-064-0148BX	Blower Motor & Control (230/208V)		X
1	C8105-064-0147	Programmed Control Only (230/208V)	0	
1	C8105-064-0148	Programmed Control Only (230/208V)		0
2	151-115BX	Housing	2	2
3	144-183BX	Cutoff	X	X
4	5152-092BX	Wheel 9-6 CW	X	X
5	5152-093BX	Wheel 9-6 CCW	X	X
6	105-1061BX	Back Brace	X	X
7	5451-011	Grommets	6	6
8	8200-031BX	Motor Mount	X	X
9	103-435BX	Front Brace	X	X
10	113-761BX	Motor Control Bracket	X	X

X – Standard Component  
O – Optional Component