

---

# REPLACEMENT PARTS MANUAL

---

## Wall Mount Air Conditioner

### Models:

W42AYLA	W48AYLA	W60AYLA	W72AYLA
W42AYLB	W48AYLB	W60AYLB	W72AYLB
W42AYLC	W48AYLC	W60AYLC	W72AYLC
W42AYLE	W48AYLE	W60AYLE	W72AYLF
W42AYLF	W48AYLF	W60AYLF	

---

### Contents

Description	Page
External Parts	
♦ Exploded View .....	2
♦ Usage List .....	3
Internal Parts	
♦ Exploded View .....	4
♦ Usage List .....	5
Functional Components – 4 Ton Units	
♦ Exploded View .....	6
♦ Usage List .....	7
Functional Components – 6 Ton Units	
♦ Exploded View .....	8
♦ Usage List .....	9
Control Panel – 4 Ton Units	
♦ Layout View .....	10
♦ Usage List .....	11
Control Panel – 6 Ton Units	
♦ Layout View .....	12
♦ Usage List .....	13

Description	Page
Blower Assembly	
♦ Exploded View .....	14
♦ Usage List .....	14

### General Notes

- Revised and/or additional pages may be issued from time to time.
- A complete and current manual consists of pages shown in the following contents section.

### Important

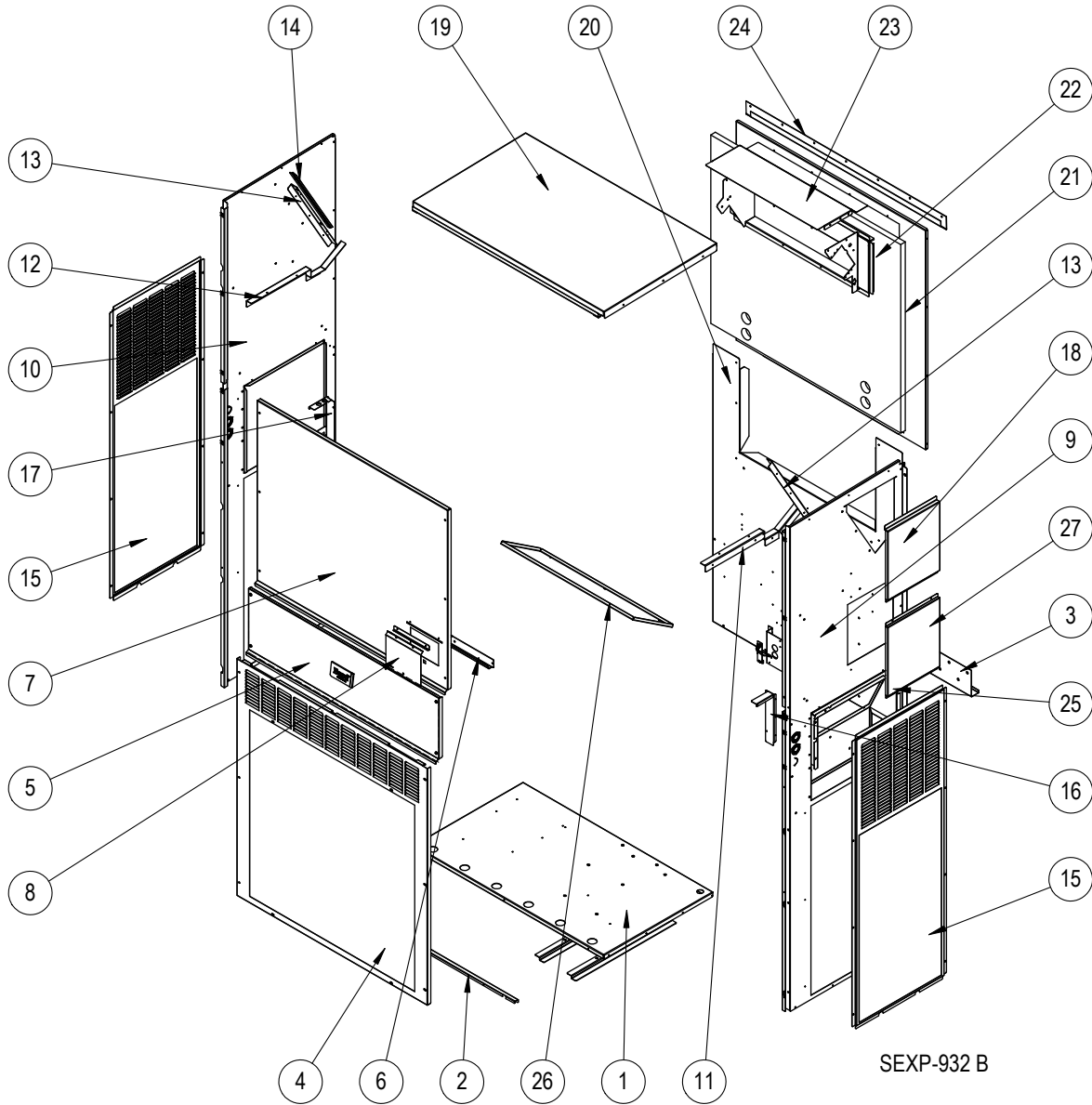
- Contact the installing and/or local Bard distributor for all parts requirements. Make sure to have the complete model and serial number available from the unit rating plates.



Bard Manufacturing Company, Inc.  
Bryan, Ohio 43506  
www.bardhvac.com

Manual: 2110-1479  
Supersedes: **NEW**  
Date: 12-5-23

# EXTERNAL PARTS



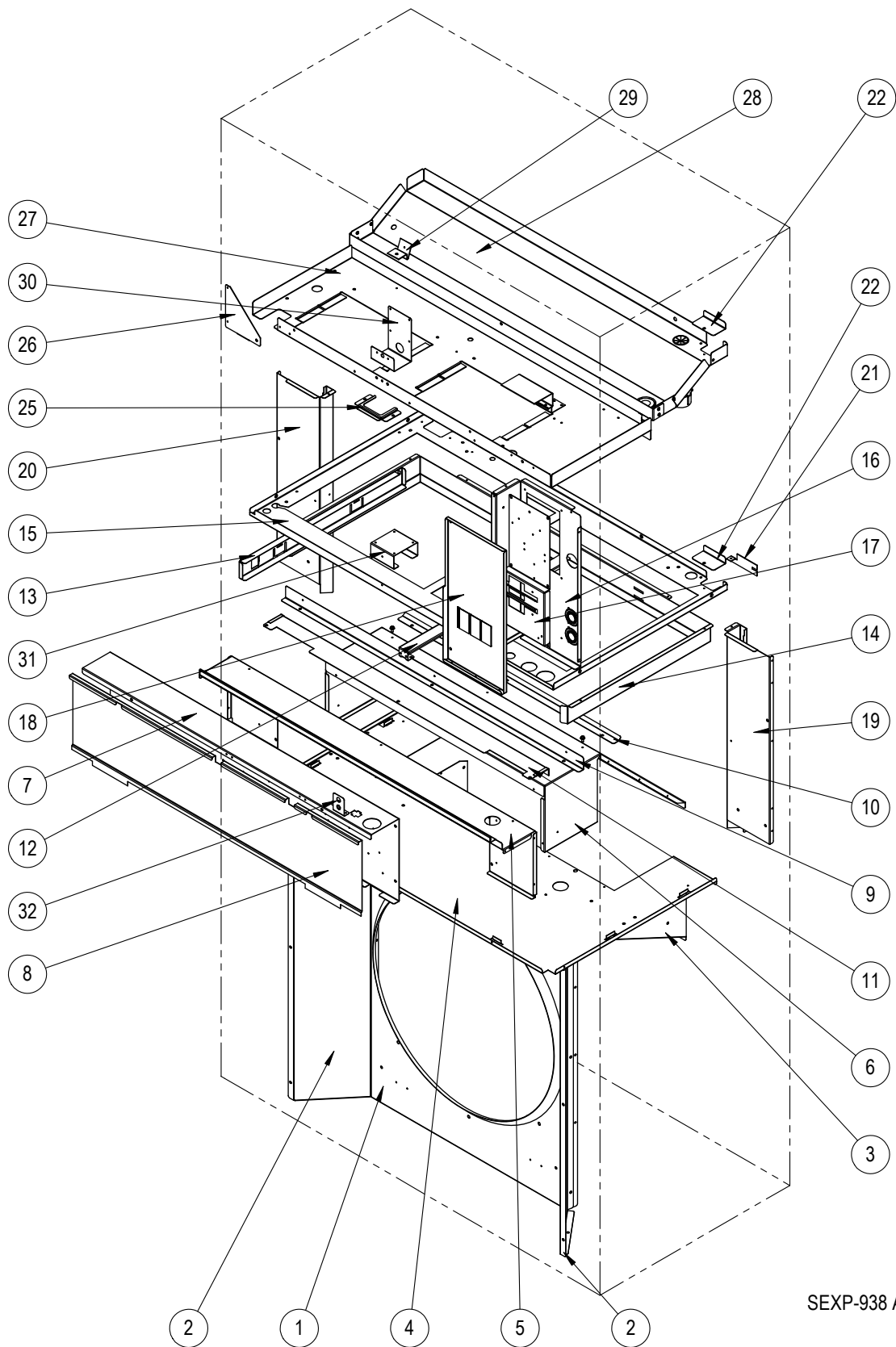
## EXTERNAL PARTS

Dwg No.	Part Number	Description	W42AYLA, B, C, E, F	W48AYLA, B, C, E, F	W60AYLA, B, C, E, F	W72AYLA, B, C, F
1	127-610BX	Unit Base	X	X	X	X
2	113-762BX	Front Base Bracket	X	X	X	X
3	113-140BX	Bottom Mounting Bracket	X	X	X	X
4	119-125-*BX ①	Front Grille	X	X		
4	119-127-*BX ①	Front Grille			X	X
5	533-301-*BX ①	Control Panel Cover (Outer)	X	X	X	X
6	165-608-*BX ①	Rain Channel	X	X	X	X
7	515-323-*BX ①	Upper Front	X	X		
7	515-324-*BX ①	Upper Front			X	X
8	153-717-*BX ①	Disconnect Access Door	X	X	X	X
9	501-1127-*BX ①	Right Side	X	X		
9	501-1130-*BX ①	Right Side			X	X
10	501-1054-*BX ①	Left Side	X	X		
10	501-1056-*BX ①	Left Side			X	X
11	105X1454BX	Right Support Angle	X	X	X	X
12	105Y1454BX	Left Support Angle	X	X	X	X
13	105-1457BX	Coil Support	2	2		
13	105-1455BX	Coil Support			2	2
14	147-055BX	Coil Support Offset	X	X		
14	147-054BX	Coil Support Offset			X	X
15	119-126-*BX ①	Side Grille	2	2		
15	119-128-*BX ①	Side Grille			2	2
16	105-1450BX	Right Control Panel Angle	X	X	X	X
17	105-1451BX	Left Control Panel Angle	X	X	X	X
18	543-221-*BX ①	Heater Access Cover	X	X	X	X
19	507-382-*BX ①	Top	X	X	X	X
20	109-412BX	Lower Back	X	X		
20	109-414BX	Lower Back			X	X
21	509-411BX	Upper Back	X	X		
21	509-413BX	Upper Back			X	X
22	111-299BX	Outlet Air Frame Assembly	X	X	X	X
23	535-129BX	Heat Shield	X	X	X	X
24	113-150-*BX ①	Top Rain Flashing	X	X	X	X
25	539-406BX	Fresh Air Damper Assembly	X	X	X	X
25	543-222BX	Intake Blank-Off Plate	0	0	0	0
26	543-220BX	Exhaust Blank-Off Plate	X	X	X	X
27	543-248-*BX ①	Access Cover	X	X	X	X
NS	5252-033BX	Bard Nameplate	X	X	X	X

① Exterior cabinet parts are manufactured with various paint color options. To ensure the proper paint color is received, include the complete model and serial number of the unit for which cabinet parts are being ordered.

X – Standard Component  
O – Optional Component

# INTERNAL PARTS



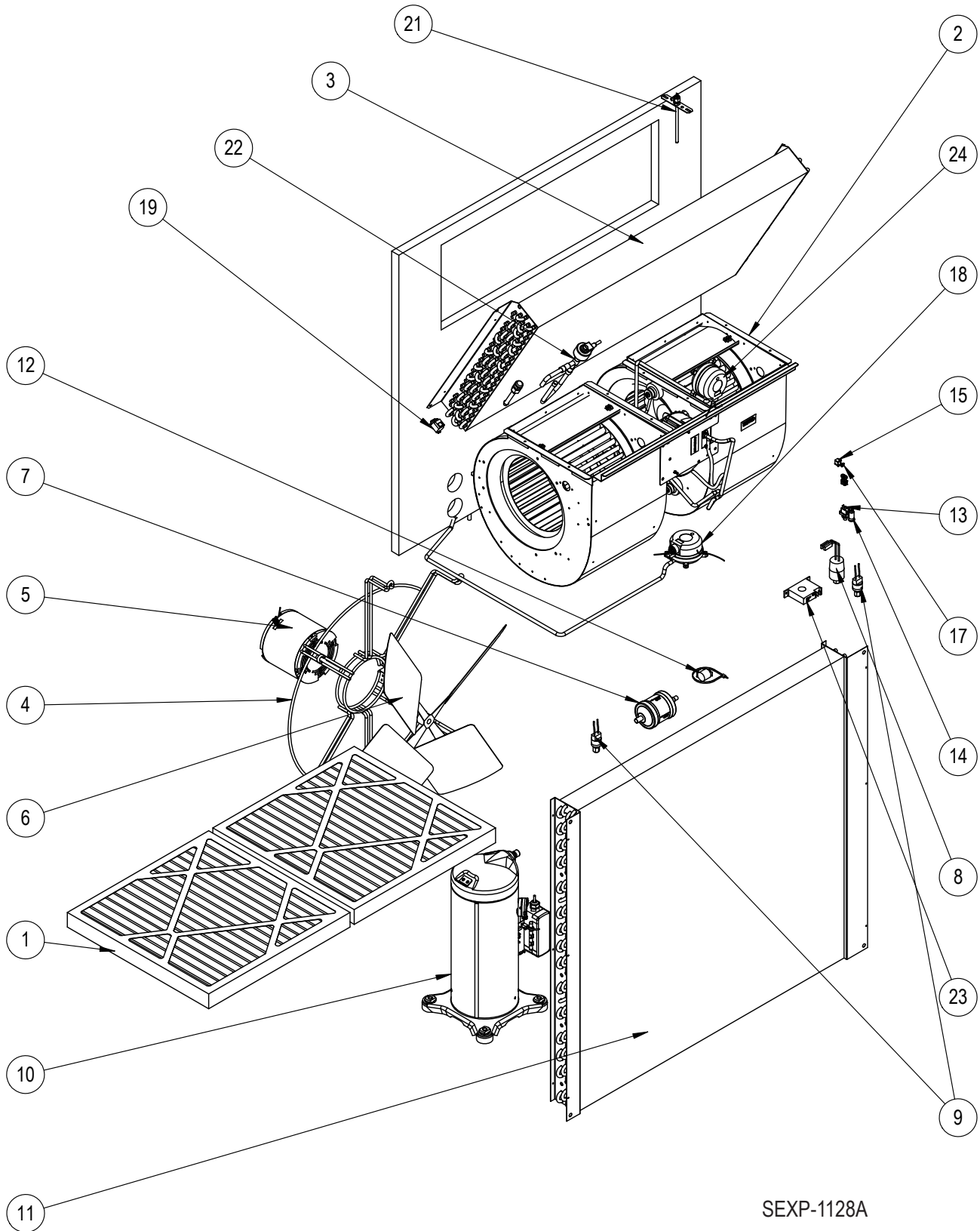
SEXP-938 A

# INTERNAL PARTS

Dwg No.	Part Number	Description	W42AYLA, B, E	W42AYLC, F	W48AYLA, B, E	W48AYLC, F	W60AYLA, B, E	W60AYLC, F	W72AYLA, B	W72AYLC, F
1	125-089BX	Fan Shroud	X	X	X	X				
1	125-091BX	Fan Shroud					X	X	X	X
2	125-090BX	Fan Shroud Side Access Cover	2	2	2	2				
2	125-092BX	Fan Shroud Side Access Cover					2	2	2	2
3	121-586BX	Condenser Partition Insert	X	X	X	X	X	X	X	X
4	121-585BX	Condenser Partition	X	X	X	X	X	X	X	X
5	521-630BX	Front Exhaust Partition	X	X	X	X	X	X	X	X
6	521-587BX	Exhaust Partition	X	X	X	X	X	X	X	X
7	Control Panel Assy.	See <b>Control Panel</b> on pages 10 – 13	X	X	X	X	X	X	X	X
8	133-330BX	Control Panel Cover (Inner)	X	X	X	X	X	X	X	X
9	105-1453BX	Front Vent Guide Rail	X	X	X	X	X	X	X	X
10	105-1452BX	Vent Guide Rail	X	X	X	X	X	X	X	X
11	135-409BX	Field Wire Shield	X	X	X	X	X	X	X	X
12	131-168BX	Filter Support Bracket	2	2	2	2	2	2	2	2
13	131-170BX	Filter Slide	X	X	X	X	X	X	X	X
14	131-169BX	Filter Rack Frame	X	X	X	X	X	X	X	X
15	121-583BX	Filter Partition	X	X	X	X	X	X	X	X
16	117-412BX	Upper Control Panel	X	X	X	X	X	X	X	X
17	127-575BX	Circuit Breaker Base	X		X		X		X	
17	127-585BX	Circuit Breaker Base - 460V		X		X		X		X
18	133-303BX	Upper Control Panel Cover	X		X		X		X	
18	133-304BX	Upper Control Panel Cover - 460V		X		X		X		X
19	135X393BX	Right Copper Chase	X	X	X	X	X	X	X	X
20	135Y393BX	Left Copper Chase	X	X	X	X	X	X	X	X
21	113-796BX	Copper Retainer	2	2	2	2	2	2	2	2
22	137-920BX	Copper Fill Plate	2	2	2	2	2	2	2	2
25	113-765BX	Grommet Retainer	X	X	X	X	X	X	X	X
26	141-492BX	Blower Partition Support	X	X	X	X	X	X	X	X
27	121-582BX	Blower Partition	X	X	X	X	X	X	X	X
28	523-161BX	Drain Pan	X	X	X	X	X	X	X	X
30	113-787BX	Airflow Switch Bracket	0	0	0	0	0	0	0	0
31	113-788BX	Filter Switch Bracket	0	0	0	0	0	0	0	0
32	113-789BX	Filter Switch Light Bracket	0	0	0	0	0	0	0	0

X – Standard Component  
O – Optional Component

# FUNCTIONAL COMPONENTS - 4 TON UNITS



SEXP-1128A

## FUNCTIONAL COMPONENTS - 4 TON UNITS

Dwg No.	Part Number	Description	W42AYLA	W42AYLB	W42AYLC	W42AYLE	W42AYLF	W48AYLA	W48AYLB	W48AYLC	W48AYLE	W48AYLF
1	7004-012	Air Filter 1" Throw-Away (20 x 20 x 1)	2	2	2	2	2	2	2	2	2	2
1	7003-085 ①	Air Filter 1" Washable (20 x 20 x 1)	2	2	2	2	2	2	2	2	2	2
1	7004-052 ①	Air Filter 2" Merv 8 (20 x 20 x 2)	2	2	2	2	2	2	2	2	2	2
1	7004-060 ①	Air Filter 2" Merv 11 (20 x 20 x 2)	2	2	2	2	2	2	2	2	2	2
1	7004-063 ①	Air Filter 2" Merv 13 (20 x 20 x 2)	2	2	2	2	2	2	2	2	2	2
2	900-366-0155BX	Blower Assembly	X	X		X	X					
2	900-367-0156BX	Blower Assembly - 460V			X							
2	900-368-0157BX	Blower Assembly					X	X			X	X
2	900-369-0158BX	Blower Assembly - 460V							X			
3	917-0366BX	Evaporator Coil w/Distributor Assy.	X	X	X	X	X					
3	917-0367BX	Evaporator Coil - Coated w/Distributor Assy.	O	O	O	O	O					
3	917-0370BX	Evaporator Coil w/Distributor Assy.					X	X	X	X	X	X
3	917-0371BX	Evaporator Coil - Coated w/Distributor Assy.					O	O	O	O	O	O
4	8200-004BX	Fan Motor Mount	X	X	X	X	X	X	X	X	X	X
5	8105-039BX	Condenser Motor				X	X				X	X
5	8105-068BX	Condenser Motor	X	X			X	X				
5	8105-071BX	Condenser Motor - 460V			X				X			
6	5151-060BX	Fan Blade	X	X	X	X	X	X	X	X	X	X
7	5201-022BX	Filter Drier	X	X	X	X	X	X	X	X	X	X
8	CMA-39	Low Ambient Control (LAC)	O	O	O	O	O	O	O	O	O	O
9	8406-142BX	High Pressure Switch	X	X	X	X	X	X	X	X	X	X
9	8406-140BX	Low Pressure Switch	X	X	X	X	X	X	X	X	X	X
10	8000-349BX	Compressor	X									
10	8000-350BX	Compressor		X		X						
10	8000-351BX	Compressor			X		X					
10	8000-332BX	Compressor					X					
10	8000-333BX	Compressor						X			X	
10	8000-334BX	Compressor							X			X
11	5051-222BX	Condenser Coil	X	X	X	X	X	X	X	X	X	X
11	5054-222BX	Condenser Coil - Coated	O	O	O	O	O	O	O	O	O	O
12	8408-055BX	Outdoor Temperature Sensor	O	O	O	O	O	O	O	O	O	O
13	3000-1638BX	Dirty Filter Reset Switch	O	O	O	O	O	O	O	O	O	O
14	8611-094BX	Red Indicator Light - 24VAC	O	O	O	O	O	O	O	O	O	O
15	1171-023	1/4 Turn Receptacle	X	X	X	X	X	X	X	X	X	X
16	1171-022	1/4 Turn Fastener	X	X	X	X	X	X	X	X	X	X
17	1171-024	1/4 Turn Retainer	X	X	X	X	X	X	X	X	X	X
18	8301-057BX	Filter Pressure Switch	O	O	O	O	O	O	O	O	O	O
19	CMC-29	Freeze Protection Thermostat	O	O	O	O	O	O	O	O	O	O
21	910-1224BX	Supply Air Temperature Sensor	O	O	O	O	O	O	O	O	O	O
22	800-0482BX	Distributor Assembly	X	X	X	X						
22	800-0483BX	Distributor Assembly					X	X	X	X	X	X
23	8301-013BX	Current Sensor	O	O	O	O	O	O	O	O	O	O
24	8301-057BX	Airflow Pressure Switch	O	O	O	O	O	O	O	O	O	O
NS	CMA-39	LAC Kit = Item #s 8,12,19	O	O	O	O	O	O	O	O	O	O
NS	CMC-33	Dirty Filter Switch Kit = Item #s 13,14,18	O	O	O	O	O	O	O	O	O	O
NS	CMA-44	DDC Kit = Item #s 8,12,13,14,18,19,21,23,24	O	O	O	O	O	O	O	O	O	O
NS	5451-024	Tubing Isolation Grommet	2	2	2	2	2	2	2	2	2	2
NS	6031-009	Coremax Valve Core	2	2	2	2	2	2	2	2	2	2
NS	1171-028	Control Panel Door Clip	4	4	4	4	4	4	4	4	4	4
NS	1171-057	Control Panel Door Screw	4	4	4	4	4	4	4	4	4	4
NS	1171-027	Control Panel Door Screw Retainer	4	4	4	4	4	4	4	4	4	4

NS – Not Shown  
 ① Optional on these models

X – Standard Component  
 O – Optional Component





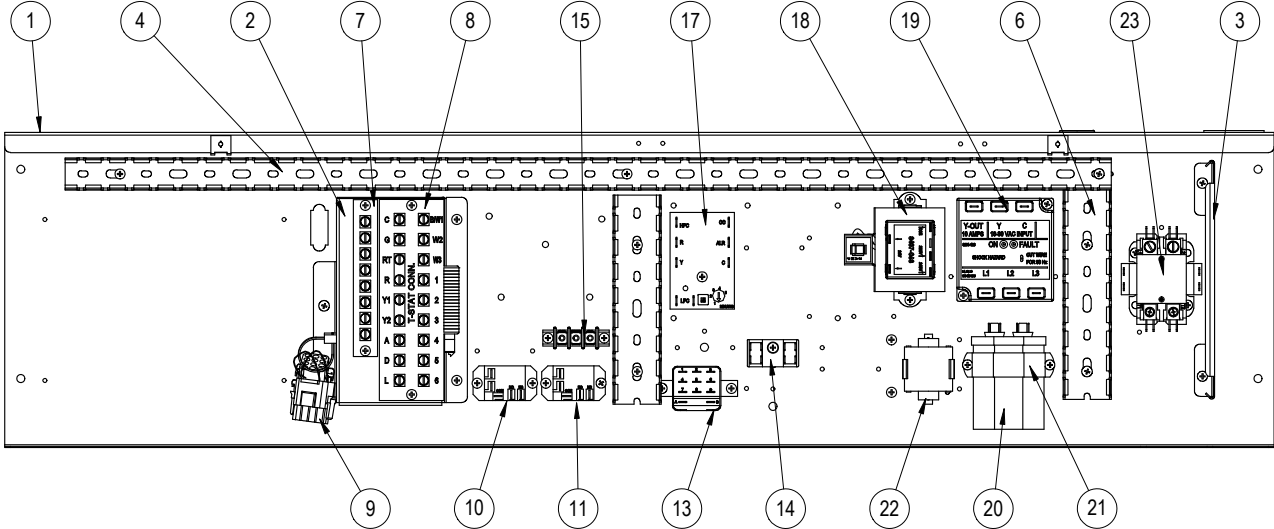
# FUNCTIONAL COMPONENTS – 6 TON UNITS

Dwg No.	Part Number	Description	W60AYLA	W60AYLB	W60AYLC	W60AYLE	W60AYLF	W72AYLA	W72AYLB	W72AYLC	W72AYLF
1	7004-012	Air Filter 1" Throw-Away (20 x 20 x 1)	2	2	2	2	2	2	2	2	2
1	7003-085 ①	Air Filter 1" Washable (20 x 20 x 1)	2	2	2	2	2	2	2	2	2
1	7004-052 ①	Air Filter 2" Merv 8 (20 x 20 x 2)	2	2	2	2	2	2	2	2	2
1	7004-060 ①	Air Filter 2" Merv 11 (20 x 20 x 2)	2	2	2	2	2	2	2	2	2
1	7004-063 ①	Air Filter 2" Merv 13 (20 x 20 x 2)	2	2	2	2	2	2	2	2	2
2	900-368-0159BX	Blower Assembly	X	X		X	X				
2	900-369-0160BX	Blower Assembly - 460V			X						
2	900-368-0161BX	Blower Assembly					X	X			X
2	900-369-0162BX	Blower Assembly - 460V								X	
3	917-0374BX	Evaporator Coil w/Distributor Assy.	X	X	X	X	X				
3	917-0375BX	Evaporator Coil - Coated w/Distributor Assy.	0	0	0	0	0				
3	917-0378BX	Evaporator Coil w/Distributor Assy.					X	X	X	X	
3	917-0379BX	Evaporator Coil - Coated w/Distributor Assy.					0	0	0	0	0
4	8200-004BX	Fan Motor Mount	X	X	X	X	X				
4	8200-049BX	Fan Motor Mount					X	X	X	X	
5	8105-068BX	Condenser Motor	X	X							
5	8105-039BX	Condenser Motor				X	X				
5	8105-071BX	Condenser Motor - 460V			X						
5	8106-070BX	Condenser Motor					X	X			
5	8106-071BX	Condenser Motor								X	
5	8106-016BX	Condenser Motor - 460V									X
6	5151-060BX	Fan Blade	X	X	X	X	X				
6	5151-063BX	Fan Blade					X	X	X	X	
7	5201-022BX	Filter Drier	X	X	X	X	X	X	X	X	X
8	CMA-39	Low Ambient Control (LAC)	0	0	0	0	0	0	0	0	0
9	8406-142BX	High Pressure Switch	X	X	X	X	X	X	X	X	X
9	8406-140BX	Low Pressure Switch	X	X	X	X	X	X	X	X	X
10	8000-289BX	Compressor	X								
10	8000-292BX	Compressor		X		X					
10	8000-308BX	Compressor			X		X				
10	8000-403BX	Compressor					X				
10	8000-404BX	Compressor						X			
10	8000-405BX	Compressor							X		X
11	5051-223BX	Condenser Coil	X	X	X	X	X	X	X	X	X
11	5054-223BX	Condenser Coil - Coated	0	0	0	0	0	0	0	0	0
12	8408-055BX	Outdoor Temperature Sensor	0	0	0	0	0	0	0	0	0
13	3000-1638BX	Dirty Filter Reset Switch	0	0	0	0	0	0	0	0	0
14	8611-094BX	Red Indicator Light - 24VAC	0	0	0	0	0	0	0	0	0
15	1171-023	1/4 Turn Receptacle	X	X	X	X	X	X	X	X	X
16	1171-022	1/4 Turn Fastener	X	X	X	X	X	X	X	X	X
17	1171-024	1/4 Turn Retainer	X	X	X	X	X	X	X	X	X
18	8301-057BX	Filter Pressure Switch	0	0	0	0	0	0	0	0	0
19	CMC-29	Freeze Protection Thermostat	0	0	0	0	0	0	0	0	0
21	910-1224BX	Supply Air Temperature Sensor	0	0	0	0	0	0	0	0	0
22	800-0484BX	Distributor Assembly	X	X	X	X	X				
22	800-0454BX	Distributor Assembly					X	X	X	X	
23	8301-013BX	Current Sensor	0	0	0	0	0	0	0	0	0
24	8301-057BX	Airflow Pressure Switch	0	0	0	0	0	0	0	0	0
NS	CMA-39	LAC Kit = Item #s 8,12,19	0	0	0	0	0	0	0	0	0
NS	CMC-33	Dirty Filter Switch Kit = Item #s 13,14,18	0	0	0	0	0	0	0	0	0
NS	CMA-44	DDC Kit = Item #s 8,12,13,14,18,19,21,23,24	0	0	0	0	0	0	0	0	0
NS	5451-024	Tubing Isolation Grommet	2	2	2	2	2	2	2	2	2
NS	6031-009	Coremax Valve Core	2	2	2	2	2	2	2	2	2
NS	1171-028	Control Panel Door Clip	4	4	4	4	4	4	4	4	4
NS	1171-057	Control Panel Door Screw	4	4	4	4	4	4	4	4	4
NS	1171-027	Control Panel Door Screw Retainer	4	4	4	4	4	4	4	4	4

NS – Not Shown  
 ① Optional on these models

X – Standard Component  
 0 – Optional Component

# CONTROL PANEL - 4 TON UNITS



SEXP-1127

## CONTROL PANEL - 4 TON UNITS

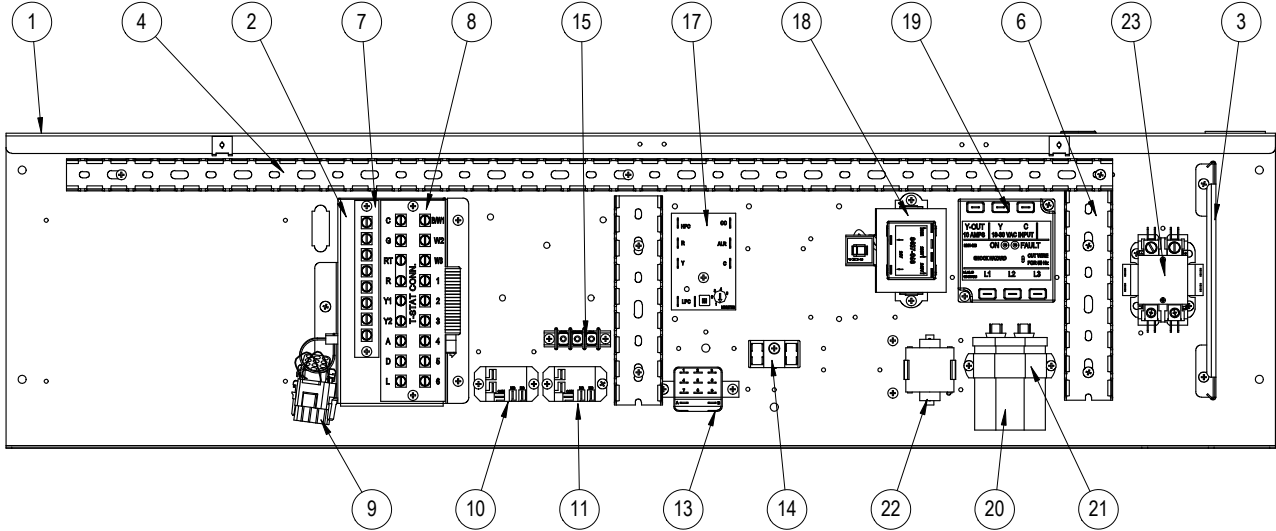
Dwg No.	Part Number	Description	W42AYLA	W42AYLB	W42AYLC	W42AYLE	W42AYLF	W48AYLA	W48AYLB	W48AYLC	W48AYLE	W48AYLF
1	117-411BX	Control Panel	X	X	X	X	X	X	X	X	X	X
2	910-2061BX	Complete Low Voltage Box Assembly (Sheet metal, Terminal Strip, & Wire Harness)	X	X	X	X	X	X	X	X	X	X
3	135-394BX	Wire Shield	X	X	X	X	X	X	X	X	X	X
4	8611-140-3208BX	Cable Duct - 32.5"	X	X	X	X	X	X	X	X	X	X
6	8611-244-0608BX	Cable Duct - 6.5" x 1.5" wide	2	2	2	2	2	2	2	2	2	2
7	8607-021BX	Low Voltage Terminal Strip - 8 term.	0	0	0	0	0	0	0	0	0	0
8	8607-063BX	Low Voltage Terminal Strip - 18 term.	X	X	X	X	X	X	X	X	X	X
9	3000-1524BX	Vent Jumper Plug (used when no vent option)	X	X	X	X	X	X	X	X	X	X
10	8201-130BX	Alarm Relay (Kit = CMC-42)	0	0	0	0	0	0	0	0	0	0
11	8201-130BX	Blower Speed Relay	X	X	X	X	X	X	X	X	X	X
13	8201-130BX	Dirty Filter Relay (Kit = CMC-33)	0	0	0	0	0	0	0	0	0	0
14	8607-017BX	Terminal Block (LAC Kit = CMA-39)	0	0	0	0	0	0	0	0	0	0
15	8607-042BX	Blower Speed Terminal Block	X	X	X	X	X	X	X	X	X	X
17	8201-171BX	Compressor Control Module	X	X	X	X	X	X	X	X	X	X
18	8407-068BX	Transformer	X	X		X	X	X	X		X	X
18	8407-069BX	Transformer			X					X		
19	8201-174BX	Phase Monitor		X	X	X	X		X	X	X	X
20	8552-079BX	Compressor Capacitor	X					X				
20	8552-089BX	Compressor Capacitor		X		X	X		X		X	X
20	8552-005BX	Outdoor Motor Capacitor			X					X		
20	8552-004BX	Outdoor Motor Capacitor										
21	8550-008BX	Capacitor Strap	X					X				
21	8550-003BX	Capacitor Strap		X	X	X	X		X	X	X	X
22	8551-004BX	Start Device (PTCR)	0					0				
23	8401-034BX	Compressor Contactor	X					X				
23	8401-035BX	Compressor Contactor		X	X	X	X		X	X	X	X
NS	8615-040BX	Circuit Breaker 50A 2 Pole ①	0					0				
NS	8615-042BX	Circuit Breaker 35A 3 Pole ①		0					0			
NS	8615-052BX	Circuit Breaker 30A 3 Pole ①			0	0				0	0	
NS	8615-067BX	Toggle Disconnect			0	0				0	0	0
NS	4213-124	Wiring Diagram	X					X				
NS	4213-224	Wiring Diagram		X		X			X		X	
NS	4213-324	Wiring Diagram			X					X		
NS	4213-624	Wiring Diagram					X					X
NS	3000-1613BX	Blower Power Plug	X	X	X	X		X	X	X	X	
NS	3000-1645BX	Blower Power Plug					X					X
NS	3000-1614BX	Blower Speed Plug	X	X	X	X	X	X	X	X	X	X
NS	3000-1337BX	Compressor Plug/Harness	X					X				
NS	3000-1606BX	Compressor Plug/Harness		X	X	X	X		X	X	X	X
NS	3003-138BX	Control Panel Wire Harness	X					X				
NS	3003-139BX	Control Panel Wire Harness		X	X	X			X	X	X	
NS	3003-140BX	Control Panel Wire Harness					X					X
NS	3000-1693	Low Voltage Terminal Block Wire Harness	X	X	X	X	X	X	X	X	X	X
NS	8201-074BX	Power Switch Relay	X									

NS = Not Shown

① Circuit breakers listed are for units without electric heat, "OZ" models.  
See heater replacement parts manual for units with electric heat.

X – Standard Component  
O – Optional Component

# CONTROL PANEL - 6 TON UNITS



SEXP-1127

## CONTROL PANEL – 6 TON UNITS

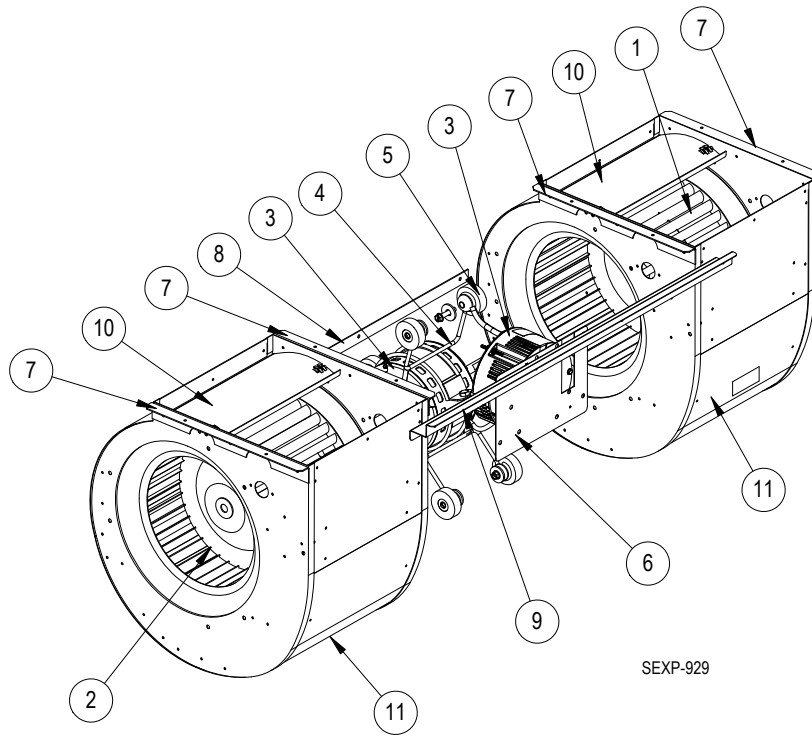
Dwg No.	Part Number	Description	W60AYLA	W60AYLB	W60AYLC	W60AYLE	W60AYLF	W72AYLA	W72AYLB	W72AYLC	W72AYLF
1	117-411BX	Control Panel	X	X	X	X	X	X	X	X	X
2	910-2061BX	Complete Low Voltage Box Assembly (Sheet metal, Terminal Strip, & Wire Harness)	X	X	X	X	X	X	X	X	X
3	135-394BX	Wire Shield	X	X	X	X	X	X	X	X	X
4	8611-140-3208BX	Cable Duct - 32.5"	X	X	X	X	X	X	X	X	X
6	8611-244-0608BX	Cable Duct - 6.5" x 1.5" wide	2	2	2	2	2	2	2	2	2
7	8607-021BX	Low Voltage Terminal Strip - 8 term.	0	0	0	0	0	0	0	0	0
8	8607-063BX	Low Voltage Terminal Strip - 18 term.	X	X	X	X	X	X	X	X	X
9	3000-1524BX	Vent Jumper Plug (used when no vent option)	X	X	X	X	X	X	X	X	X
10	8201-130BX	Alarm Relay (Kit = CMC-42)	0	0	0	0	0	0	0	0	0
11	8201-130BX	Blower Speed Relay	X	X	X	X	X	X	X	X	X
13	8201-130BX	Dirty Filter Relay (Kit = CMC-33)	0	0	0	0	0	0	0	0	0
14	8607-017BX	Terminal Block (LAC Kit = CMA-39)	0	0	0	0	0	0	0	0	0
15	8607-042BX	Blower Speed Terminal Block	X	X	X	X	X	X	X	X	X
17	8201-171BX	Compressor Control Module	X	X	X	X	X	X	X	X	X
18	8407-068BX	Transformer	X	X		X	X	X			X
18	8407-069BX	Transformer			X					X	
19	8201-174BX	Phase Monitor		X	X	X	X		X	X	X
20	8552-089BX	Compressor Capacitor	X								
20	8552-097BX	Compressor Capacitor					X				
20	8552-005BX	Outdoor Motor Capacitor		X		X			X		
20	8552-004BX	Outdoor Motor Capacitor			X			X			X
21	8550-008BX	Capacitor Strap	X				X				
21	8550-003BX	Capacitor Strap		X	X	X	X	X	X	X	X
22	8551-004BX	Start Device (PTCR)	0					0			
23	8401-034BX	Compressor Contactor	X					X			
23	8401-035BX	Compressor Contactor		X	X	X	X		X	X	X
NS	8615-041BX	Circuit Breaker 60A 2 Pole ①	0					0			
NS	8615-043BX	Circuit Breaker 40A 3 Pole ①		0		0					
NS	8615-045BX	Circuit Breaker 50A 3 Pole ①							0		
NS	8615-067BX	Toggle Disconnect			0		0			0	0
NS	4213-124	Wiring Diagram	X					X			
NS	4213-224	Wiring Diagram		X		X			X		
NS	4213-324	Wiring Diagram			X					X	
NS	4213-624	Wiring Diagram					X				X
NS	3000-1613BX	Blower Power Plug	X	X	X	X		X	X	X	
NS	3000-1645BX	Blower Power Plug					X				X
NS	3000-1614BX	Blower Speed Plug	X	X	X	X	X	X	X	X	X
NS	3000-1337BX	Compressor Plug/Harness	X					X			
NS	3000-1606BX	Compressor Plug/Harness		X	X	X	X		X	X	X
NS	3003-138BX	Control Panel Wire Harness	X					X			
NS	3003-139BX	Control Panel Wire Harness		X	X	X			X	X	
NS	3003-140BX	Control Panel Wire Harness					X				X
NS	3000-1693	Low Voltage Terminal Block Wire Harness	X	X	X	X	X	X	X	X	X

NS = Not Shown

① Circuit breakers listed are for units without electric heat, "OZ" models.  
See heater replacement parts manual for units with electric heat.

X – Standard Component  
O – Optional Component

# BLOWER ASSEMBLY



Dwg No.	Part Number	Description	900-366-0155BX	900-367-0156BX	900-368-0157BX	900-368-0159BX	900-368-0161BX	900-369-0158BX	900-369-0160BX	900-369-0162BX
1	5152-011BX	10 Inch Wheel (CW)	X	X	X	X	X	X	X	X
2	5152-012BX	10 Inch Wheel (CW)	X	X	X	X	X	X	X	X
3	8106-068-0155BX	Programmed Blower Motor & Control (230/208V)	X							
3	8106-069-0156BX	Programmed Blower Motor & Control (460V)		X						
3	8107-028-0157BX	Programmed Blower Motor & Control (230/208V)			X					
3	8107-028-0159BX	Programmed Blower Motor & Control (230/208V)				X				
3	8107-028-0161BX	Programmed Blower Motor & Control (230/208V)					X			
3	8107-029-0158BX	Programmed Blower Motor & Control (460V)						X		
3	8107-029-0160BX	Programmed Blower Motor & Control (460V)							X	
3	8107-029-0162BX	Programmed Blower Motor & Control (460V)								X
3	C8106-068-0155	Programmed Control Only (230/208V)	O							
3	C8106-069-0156	Programmed Control Only (460V)		O						
3	C8107-028-0157	Programmed Control Only (230/208V)			O					
3	C8107-028-0159	Programmed Control Only (230/208V)				O				
3	C8107-028-0161	Programmed Control Only (230/208V)					O			
3	C8107-029-0158	Programmed Control Only (460V)						O		
3	C8107-029-0160	Programmed Control Only (460V)							O	
3	C8107-029-0162	Programmed Control Only (460V)								O
4	8200-040BX	Motor Mount	X	X	X	X	X	X	X	X
5	5451-011	Grommets	6	6	6	6	6	6	6	6
6	112-775BX	Motor Control Bracket	X	X	X	X	X	X	X	X
7	105-880BX	Side Angle	4	4	4	4	4	4	4	4
8	105-881BX	Back Brace	X	X	X	X	X	X	X	X
9	103-541BX	Front Mounting Offset	X	X	X	X	X	X	X	X
10	144-166BX	Diffuser	2	2	2	2	2	2	2	2
11	151-101BX	Blower Housing	2	2	2	2	2	2	2	2

X – Standard Component  
O – Optional Component