

REPLACEMENT PARTS MANUAL

Q-TEC™ SERIES PACKAGED AIR CONDITIONER

Models:

Q24A2DA	Q30A2DA	Q36A2DA	Q42A2DA	Q48A2DA	Q60A2DA
Q24A2DB	Q30A2DB	Q36A2DB	Q42A2DB	Q48A2DB	Q60A2DB
Q24A2DC	Q30A2DC	Q36A2DC	Q42A2DC	Q48A2DC	Q60A2DC

Contents

Description	Page	Description	Page
Cabinet Components		Lower Control Panel Components	
♦ Exploded View	2	♦ Exploded View	20
♦ Usage List	3	♦ Usage List	21
♦ Usage List	4	Blower Assembly Components	
♦ Usage List	5	♦ Exploded View	22
♦ Usage List	6	♦ Usage List	23
♦ Blank Page	7	Optional Climate Control Components	
Functional Components		♦ Exploded View	24
♦ Exploded View	8	♦ Usage List	25
♦ Usage List	9	Wall Sleeve Cabinet Components	
♦ Usage List	10	♦ Exploded View	26
♦ Usage List	11	♦ Usage List	27
♦ Usage List	12		
♦ Blank Page	13		
Upper Control Panel Components			
♦ Exploded View	14		
♦ Usage List	15		
♦ Usage List	16		
♦ Usage List	17		
♦ Usage List	18		
♦ Usage List	19		

General Notes

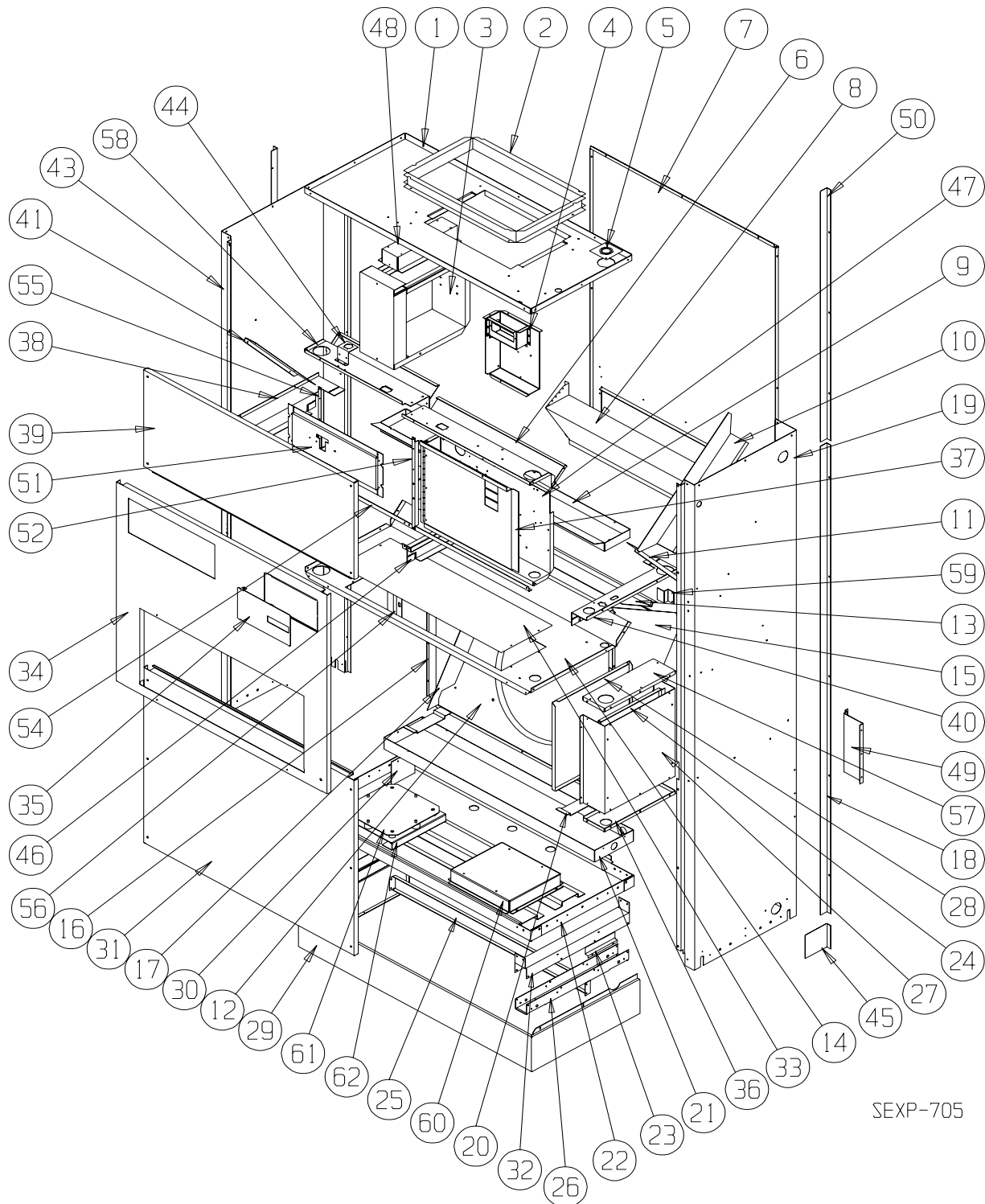
- Revised and/or additional pages may be issued from time to time.
- A complete and current manual consists of pages shown in the following contents section.



Bard Manufacturing Company, Inc.
Bryan, Ohio 43506
www.bardvac.com

Manual: 2110-1508E
Supersedes: 2110-1508D
Date: 5-11-18

CABINET COMPONENTS



SEXP-705

This exploded view is referenced in tables on pages 3, 4, 5 & 6

CABINET COMPONENTS

Drawing No.	Part No.	Description	Q24A2DA, DB	Q24A2DC	Q30A2DA, DB	Q30A2DC	Q36A2DA, DB	Q36A2DC	Q42A2DA, DB	Q42A2DC
1	506-225	Top Assembly	X	X	X	X	X	X	X	X
2	110-044	Outlet Duct Flange	2	2	2	2	2	2	2	2
3	See page 14	Heater Package Assembly (Optional)	X	X	X	X	X	X	X	X
4	117-283	Low Voltage Box Assembly (Optional)	X	X	X	X	X	X	X	X
5	136-359	T.K.O. Plate	X	X	X	X	X	X	X	X
6	534-191	Evaporator Coil Shield – Right	X	X	X	X	X	X	X	X
7	508-133	Back Assembly	X	X	X	X	X	X	X	X
8	538-215	Fresh Air Damper Assembly	X	X	X	X	X	X	X	X
9	S523-104	Evaporator Drain Pan Assembly	X	X	X	X	X	X	X	X
10	134-154	Wire Channel	X	X	X	X	X	X	X	X
11	140X277	Right Evaporator Support	X	X	X	X	X	X	X	X
12	125-032	Fan Shroud Back	X	X	X	X	X	X	X	X
13	142-055	Condenser Coil Fill	X	X	X	X	X	X	X	X
14	520-376	Condenser Partition Assembly	X	X	X	X	X	X	X	X
15	124X043	Fan Shroud – Right Side	X	X	X	X	X	X	X	X
16	124Y043	Fan Shroud – Left Side	X	X	X	X	X	X	X	X
17	140-229	Condenser Coil Support	2	2	2	2	2	2	2	2
18	S135-177-* ①	Side Trim – Lower	2	2	2	2	2	2	2	2
19	500-392-* ①	Right Side Assembly	X	X	X	X	X	X	X	X
20	140-227	Subcooling Loop Hold Down	3	3	3	3	3	3	3	3
21	123-094	Condenser Drain Pan Assembly	X	X	X	X	X	X	X	X
22	527-309-X	Lower Base Assembly	X	X	X	X	X	X	X	X
23	102-415	Pile Seal Offset	2	2	2	2	2	2	2	2
24	117-240	Lower Control Panel Plate	X	X	X	X	X	X	X	X
25	135-189	Base Shield	X	X	X	X	X	X	X	X
26	140-276	Lower Roller Support	X	X	X	X	X	X	X	X
27	See page 20	Control Panel Components	X	X	X	X	X	X	X	X
28	133-164	Control Panel Door – Lower	X	X	X	X	X	X	X	X
29	534-155-6	Base Trim Assembly	X	X	X	X	X	X	X	X
30	140-230	Drain Pan Support	X	X	X	X	X	X	X	X
31	552-332-* ①	Condenser Door Assembly	X	X	X	X	X	X	X	X
32	140-280	Upper Roller Support	2	2	2	2	2	2	2	2
33	536-351	Condenser Blank Off Plate	X	X	X	X	X	X	X	X

Continued on page 4

① Exterior cabinet parts are manufactured with various paint color options. To ensure the proper paint color is received, include the complete model number and serial number of the unit for which parts are being ordered.

CABINET COMPONENTS

Drawing No.	Part No.	Description	Q24A2DA, DB	Q24A2DC	Q30A2DA, DB	Q30A2DC	Q36A2DA, DB	Q36A2DC	Q42A2DA, DB	Q42A2DC
<i>Continued from page 3</i>										
34	552-330-* ①	Filter Door Assembly	X	X	X	X	X	X	X	X
35	153-336-* ①	Circuit Breaker Door	X	X	X	X	X	X	X	X
36	117-238	Lower Control Panel Bottom	X	X	X	X	X	X	X	X
37	132-173	Rotary Disconnect Door Inner		X		X		X		X
37	132-165	Circuit Breaker Door Inner	X		X		X		X	
38	113-305	Left Filter Bracket	X	X	X	X	X	X	X	X
39	552-331-* ①	Blower Door Assembly	X	X	X	X	X	X	X	X
40	113-282	Right Filter Bracket	X	X	X	X	X	X	X	X
41	140Y277	Left Evaporator Support	X	X	X	X	X	X	X	X
43	500-391-* ①	Left Side Assembly	X	X	X	X	X	X	X	X
44	113-142	Expansion Valve Mounting Plate					X	X	X	X
44	113-325	Expansion Valve Mounting Plate	X	X	X	X				
45	135-165-* ①	Base Trim Extension	2	2	2	2	2	2	2	2
46	112X283	Center Right Filter Bracket	X	X	X	X	X	X	X	X
46	112Y283	Center Left Filter Bracket	X	X	X	X	X	X	X	X
47	See page 14	Rotary Disconnect Assembly		X		X		X		X
47	See page 14	Circuit Breaker Box Assembly	X		X		X		X	
48	112-229	Heat Strip Bracket	X	X	X	X	X	X	X	X
49	112-234	Mounting Bracket	2	2	2	2	2	2	2	2
50	S135-178-* ①	Side Trim – Upper	2	2	2	2	2	2	2	2
51	See page 24	Thermostat Mounting Plate	X	X	X	X	X	X	X	X
52	104-1157	Left Thermostat Support Angle	X	X	X	X	X	X	X	X
54	104-1097	Front Filter Angle	X	X	X	X	X	X	X	X
55	104-1096	Right Thermostat Support Angle	X	X	X	X	X	X	X	X
56	102-434	Sleeve Offset	X	X	X	X	X	X	X	X
57	117-237	Lower Control Panel Top	X	X	X	X	X	X	X	X
58	534-212	Evaporator Coil Shield – Left	X	X	X	X	X	X	X	X
59	103-443	Door Latch Offset	X	X	X	X	X	X	X	X
60	140-282	Transformer Support		X		X		X		X
61	140-369	Compressor Support Plate	X	X	X	X	X	X	X	X
62	141-368	Compressor Support	X	X	X	X	X	X	X	X

① Exterior cabinet parts are manufactured with various paint color options. To ensure the proper paint color is received, include the complete model number and serial number of the unit for which parts are being ordered.

This table references exploded view on page 2

CABINET COMPONENTS

Drawing No.	Part No.	Description	Q48A2DA, DB Q60A2DA, DB Q48A2DC Q60A2DC	
1	506-226	Top Assembly	X	X
2	110-044	Outlet Duct Flange	2	2
3	See page 14	Heater Package Assembly (Optional)	X	X
4	117-283	Low Voltage Box Assembly (Optional)	X	X
5	136-359	T.K.O. Plate	X	X
6	534-195	Evaporator Coil Shield – Right	X	X
7	508-149	Back Assembly	X	X
8	538-215	Fresh Air Damper Assembly	X	X
9	523-105	Evaporator Drain Pan Assembly	X	X
10	134-154	Wire Channel	X	X
11	140X277	Right Evaporator Support	X	X
12	125-046	Fan Shroud Back	X	X
13	143-066	Condenser Coil Fill	X	X
14	520-377	Condenser Partition Assembly	X	X
15	125-041	Fan Shroud – Right Side	X	X
16	125-045	Fan Shroud – Left Side	X	X
17	140-229	Condenser Coil Support	2	2
18	S135-177-* ①	Side Trim – Lower	2	2
19	500-392-* ①	Right Side Assembly	X	X
20	140-227	Subcooling Loop Hold Down	3	3
21	123-099	Condenser Drain Pan Assembly	X	X
22	527-294-X	Lower Base Assembly	X	X
23	102-415	Pile Seal Offset	2	2
24	117-240	Lower Control Panel Plate	X	X
25	135-194	Base Shield	X	X
26	140-276	Lower Roller Support	X	X
27	See page 20	Control Panel Components	X	X
28	133-164	Control Panel Door – Lower	X	X
29	534-174-6	Base Trim Assembly	X	X
31	552-334-* ①	Condenser Door Assembly	X	X
32	140-224-X	Upper Roller Support	2	2
33	536-351	Condenser Blank Off Plate	X	X
<i>Continued on page 6</i>				

① Exterior cabinet parts are manufactured with various paint color options. To ensure the proper paint color is received, include the complete model number and serial number of the unit for which parts are being ordered.

This table references exploded view on page 2

CABINET COMPONENTS

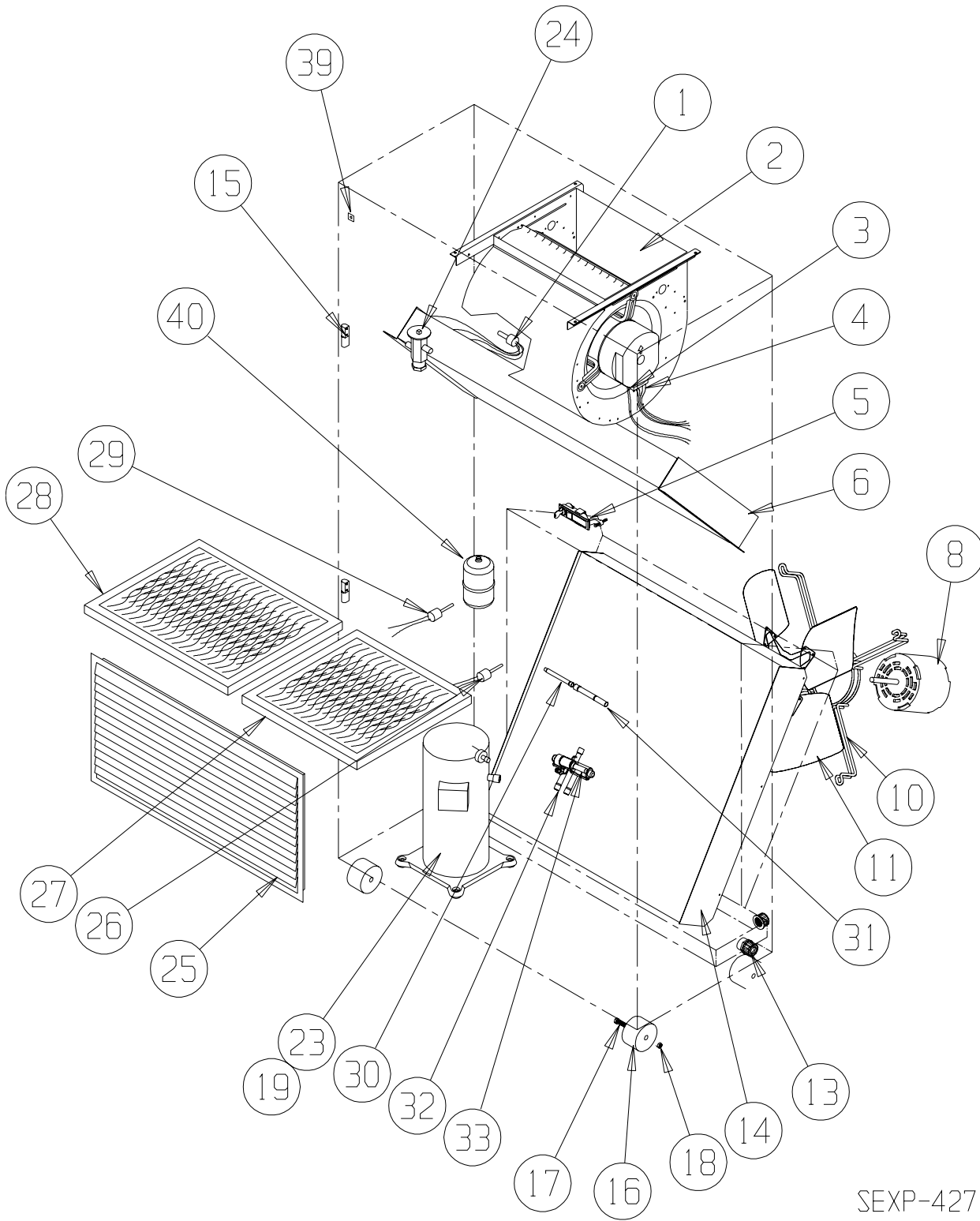
Drawing No.	Part No.	Description				
			Q48A2DA, DB	Q48A2DC	Q60A2DA, DB	Q60A2DC
<i>Continued from page 5</i>						
34	552-335-* ①	Filter Door Assembly	X	X	X	X
35	153-336-* ①	Circuit Breaker Door	X	X	X	X
36	117-238	Lower Control Panel Bottom	X	X	X	X
37	132-173	Rotary Disconnect Door Inner		X		X
37	132-165	Circuit Breaker Door Inner	X		X	
38	113-305	Left Filter Bracket	X	X	X	X
39	552-333-* ①	Blower Door Assembly	X	X	X	X
40	113-286	Right Filter Bracket	X	X	X	X
41	140Y277	Left Evaporator Support	X	X	X	X
42	112-246	Left Mounting Bracket	X	X	X	X
43	500-393-* ①	Left Side Assembly	X	X	X	X
44	113-325	Expansion Valve Mounting Plate	X	X		
44	113-381	Expansion Valve Mounting Plate			X	X
45	134-165-* ①	Base Trim Extension	2	2	2	2
46	112X283	Center Right Filter Bracket	X	X	X	X
46	112Y283	Center Left Filter Bracket	X	X	X	X
47	See page 14	Rotary Disconnect Assembly		X		X
47	See page 14	Circuit Breaker Box Assembly	X		X	
48	112-229	Heat Strip Bracket	X	X	X	X
49	112-245	Right Mounting Bracket	2	2	2	2
50	S135-178-* ①	Side Trim – Upper	2	2	2	2
51	See page 24	Thermostat Mounting Plate	X	X	X	X
52	104-1157	Left Thermostat Support Angle	X	X	X	X
54	104-1101	Front Filter Angle	X	X	X	X
55	104-1096	Right Thermostat Support Angle	X	X	X	X
56	102-434	Sleeve Offset	X	X	X	X
57	117-237	Lower Control Panel Top	X	X	X	X
58	534-212	Evaporator Coil Shield – Left	X	X	X	X
59	103-443	Door Latch Offset	X	X	X	X
60	140-282	Transformer Support		X		X

① Exterior cabinet parts are manufactured with various paint color options. To ensure the proper paint color is received, include the complete model number and serial number of the unit for which parts are being ordered.

This table references exploded view on page 2

This page has been left blank intentionally.

FUNCTIONAL COMPONENTS



SEXP-427 B

This exploded view is referenced in tables on pages 9, 10, 11 & 12

FUNCTIONAL COMPONENTS

Drawing No.	Part No.	Description	Q24A2DA	Q24A2DB	Q24A2DC	Q30A2DA	Q30A2DB	Q30A2DC	Q36A2DA	Q36A2DB	Q36A2DC	Q42A2DA	Q42A2DB	Q42A2DC
1	5625-007	Distributor	X	X	X	X	X	X						
1	5625-008	Distributor							X	X	X	X	X	X
2	S900-225-001	Blower Assembly	X	X	X									
2	S900-225-002	Blower Assembly				X	X	X						
2	S900-225-004	Blower Assembly							X	X	X	X	X	X
3	3000-1145	Wire Harness High Voltage			X			X			X			X
3	3000-1046	Wire Harness High Voltage	X	X		X	X	X	X	X		X	X	
4	3000-1312	Wire Harness Low Voltage	X	X	X	X	X	X	X	X	X	X	X	X
5	1171-049	Keylatch/Circuit Breaker Door	X	X	X	X	X	X	X	X	X	X	X	X
6	917-0086BX	Evaporator Coil Assembly	X	X	X	X	X	X						
6	917-0088BX	Evaporator Coil Assembly							X	X	X	X	X	X
8	8103-038	Motor			X			X						
8	8103-037	Motor	X	X		X	X							
8	8105-051	Motor							X	X		X	X	
8	8105-052	Motor									X			X
10	8200-001	Motor Mount	X	X	X	X	X	X	X	X	X	X	X	X
11	5151-050	Fan Blade	X	X	X	X	X	X						
11	5151-055	Fan Blade							X	X	X	X	X	X
13	6094-003	Drain Fitting	1	1	1	1	1	1	1	1	1	1	1	1
14	5051-125BX	Condenser Coil	X	X	X									
14	5051-126BX	Condenser Coil				X	X	X	X	X	X			
14	5051-127BX	Condenser Coil										X	X	X
15	5400-005	Hinge	2	2	2	2	2	2	2	2	2	2	2	2
16	1171-035	Wheel	4	4	4	4	4	4	4	4	4	4	4	4
17	1012-129	Bolt – Shoulder	4	4	4	4	4	4	4	4	4	4	4	4
18	1012-224	Nut – Locking	4	4	4	4	4	4	4	4	4	4	4	4
19	8002-012	Sound Cover	X	X	X	X	X	X	X	X	X	X	X	X
23	8000-314	Compressor	X											
23	8000-315	Compressor		X										
23	8000-316	Compressor			X									
23	8000-298	Compressor				X								
23	8000-299	Compressor					X							
23	8000-300	Compressor						X						
23	8000-278	Compressor							X					
23	8000-283	Compressor								X				
23	8000-342	Compressor									X			
23	8000-318	Compressor										X		
23	8000-319	Compressor											X	
23	8000-320	Compressor												X
24	5651-185	TXV	X	X	X									
24	5651-177	TXV				X	X	X	X	X	X			
24	5651-211	TXV										X	X	X

Continued on page 10

FUNCTIONAL COMPONENTS

Drawing No.	Part No.	Description	Q24A2DA	Q24A2DB	Q24A2DC	Q30A2DA	Q30A2DB	Q30A2DC	Q36A2DA	Q36A2DB	Q36A2DC	Q42A2DA	Q42A2DB	Q42A2DC
<i>Continued from page 9</i>														
25	7051-034	Return Air Grille	X	X	X	X	X	X	X	X	X	X	X	X
25	7051-061	Return Air Grille (Vinyl)	X	X	X	X	X	X	X	X	X	X	X	X
26	1804-0462	High Pressure Control	X	X	X	X	X	X	X	X	X	X	X	X
27	7004-009	Air Filter	X	X	X	X	X	X	X	X	X	X	X	X
27	7004-032	Filter 2" Fiberglass (Optional)	X	X	X	X	X	X	X	X	X	X	X	X
27	7004-034	Filter 2" Pleated (Optional)	X	X	X	X	X	X	X	X	X	X	X	X
28	7004-010	Air Filter	X	X	X	X	X	X	X	X	X	X	X	X
28	7004-033	Filter 2" Fiberglass (Optional)	X	X	X	X	X	X	X	X	X	X	X	X
28	7004-035	Filter 2" Pleated (Optional)	X	X	X	X	X	X	X	X	X	X	X	X
29	1804-0386	Low Pressure Control	X	X	X	X	X	X	X	X	X	X	X	X
30	5625-043	Flow Control	X	X	X	X	X	X	X	X	X	X	X	X
31	5651-146	Check Valve	X	X	X	X	X	X	X	X	X	X	X	X
32	5650-045	3 Way Valve	X	X	X	X	X	X	X	X	X	X	X	X
33	5650-042	24V Solenoid, Red Casing (Ranco)	X	X	X	X	X	X	X	X	X	X	X	X
33	5650-043	24V Solenoid, Black Casing (Wilspec)	X	X	X	X	X	X	X	X	X	X	X	X
33	5650-046	24V Solenoid, Black Casing (San Hua)	X	X	X	X	X	X	X	X	X	X	X	X
39	1012-315	"U" Clip Fastener	10	10	10	10	10	10	10	10	10	10	10	10
40	5201-001	Filter Drier	X	X	X	X	X	X						
40	5201-002	Filter Drier							X	X	X	X	X	X
NS	4107-105	Unit Wiring Diagram	X			X			X			X		
NS	4107-205	Unit Wiring Diagram		X			X			X			X	
NS	4107-305	Unit Wiring Diagram			X			X			X			X
NS	3000-1290	Compressor Wire Harness	X			X			X			X		
NS	3000-1291	Compressor Wire Harness		X	X		X	X		X	X		X	X

NS = Not Shown

This table references exploded view on page 8

FUNCTIONAL COMPONENTS

Drawing No.	Part No.	Description	Q48A2DA	Q48A2DB	Q48A2DC	Q60A2DA	Q60A2DB	Q60A2DC
1	5625-010	Distributor	X	X	X	X	X	X
2	S900-225-005	Blower Assembly	X	X	X			
2	S900-254-001	Blower Assembly				X	X	X
3	3000-1145	Wire Harness High Voltage			X			X
3	3000-1046	Wire Harness High Voltage	X	X		X	X	
4	3000-1312	Wire Harness Low Voltage	X	X	X	X	X	X
5	1171-049	Keylatch/Circuit Breaker Door	X	X	X	X	X	X
6	917-0089BX	Evaporator Coil Assembly	X	X	X	X	X	X
8	8105-052	Motor			X			X
8	8105-051	Motor	X	X		X	X	
10	8200-001	Motor Mount	X	X	X	X	X	X
11	5151-055	Fan Blade	X	X	X	X	X	X
13	6094-003	Drain Fitting	1	1	1	1	1	1
14	5051-128BX	Condenser Coil	X	X	X	X	X	X
15	5400-005	Hinge	2	2	2	2	2	2
16	1171-035	Wheel	4	4	4	4	4	4
17	1012-129	Bolt – Shoulder	4	4	4	4	4	4
18	1012-224	Nut – Locking	4	4	4	4	4	4
19	8002-012	Sound Cover	X	X	X	X	X	X
23	8000-343	Compressor	X					
23	8000-344	Compressor		X				
23	8000-345	Compressor			X			
23	8000-324	Compressor				X		
23	8000-325	Compressor					X	
23	8000-326	Compressor						X
24	5651-211	TXV	X	X	X	X	X	X
25	7051-039	Return Air Grille	X	X	X	X	X	X
25	7051-061	Return Air Grille (Vinyl)	X	X	X	X	X	X
26	1804-0385	High Pressure Control	X	X	X	X	X	X
27	7004-009	Air Filter	X	X	X	X	X	X
27	7004-032	Filter 2" Fiberglass (Optional)	X	X	X	X	X	X
27	7004-034	Filter 2" Pleated (Optional)	X	X	X	X	X	X
28	7004-011	Air Filter	X	X	X	X	X	X
28	7004-025	Filter 2"" Pleated (Optional)	X	X	X	X	X	X
28	7004-036	Filter 2"" Fiberglass (Optional)	X	X	X	X	X	X
29	1804-0386	Low Pressure Control	X	X	X	X	X	X

Continued on page 12

This table references exploded view on page 8

FUNCTIONAL COMPONENTS

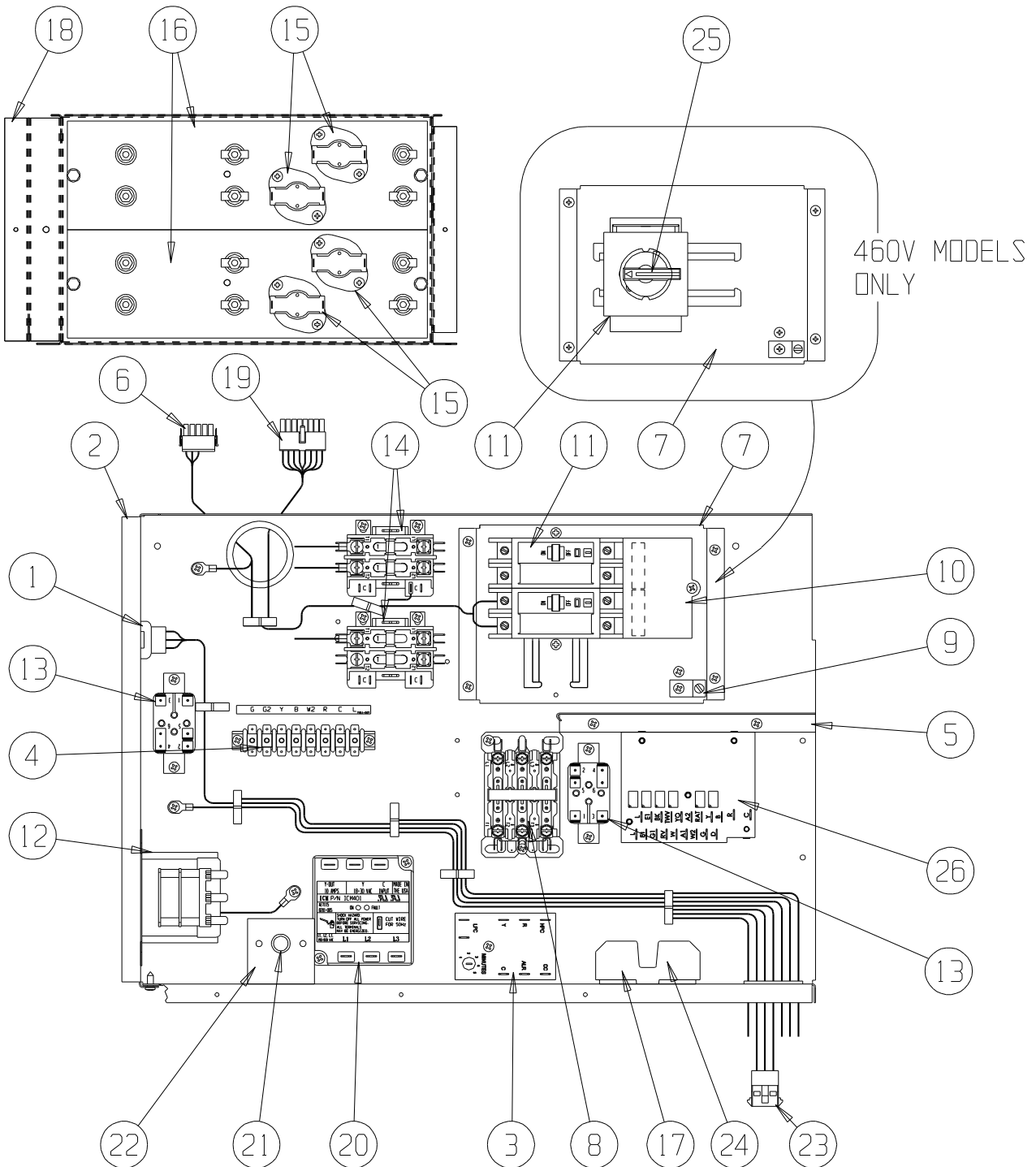
Drawing No.	Part No.	Description	Q48A2DA	Q48A2DB	Q48A2DC	Q60A2DA	Q60A2DB	Q60A2DC
<i>Continued from page 11</i>								
30	5625-043	Flow Control	X	X	X	X	X	X
31	5651-146	Check Valve	X	X	X	X	X	X
32	5650-045	3 Way Valve	X	X	X	X	X	X
33	5650-042	24V Solenoid, Red Casing (Ranco)	X	X	X	X	X	X
33	5650-043	24V Solenoid, Black Casing (Wilspec)	X	X	X	X	X	X
33	5650-046	24V Solenoid, Black Casing (San Hua)	X	X	X	X	X	X
39	1012-315	"U" Clip Fastener	10	10	10	10	10	10
NS	4107-105	Unit Wiring Diagram	X			X		
NS	4107-205	Unit Wiring Diagram		X			X	
NS	4107-305	Unit Wiring Diagram			X			X
NS	3000-1290	Compressor Wire Harness	X			X		
NS	3000-1291	Compressor Wire Harness		X	X		X	X

NS = Not Shown

This table references exploded view on page 8

This page has been left blank intentionally.

UPPER CONTROL PANEL COMPONENTS



SEXP-428 A

This exploded view is referenced in tables on pages 15,16,17,18, & 19

UPPER CONTROL PANEL COMPONENTS

Drawing No.	Part No.	Description	Q24A2DA0Z	Q30A2DA0Z	Q36A2DA0Z	Q42A2DA0Z	Q48A2DA0Z	Q60A2DA0Z	Q24A2DA05	Q30A2DA05	Q36A2DA05	Q42A2DA05	Q48A2DA05	Q24A2DA10	Q30A2DA10	Q36A2DA10	Q42A2DA10	Q48A2DA10	Q60A2DA10	Q36A2DA15	Q42A2DA15	Q48A2DA15	Q60A2DA15
1	3000-1313	Wire Set P2	X	X	X	X	X	X	X	X	X	X	X	X	X	X	X	X	X	X	X	X	X
2	117-241	Control Panel	X	X	X	X	X	X	X	X	X	X	X	X	X	X	X	X	X	X	X	X	X
3	8201-164	Compressor Control Module	X	X	X	X	X	X	X	X	X	X	X	X	X	X	X	X	X	X	X	X	X
4	8607-022	Terminal Block	X	X	X	X	X	X	X	X	X	X	X	X	X	X	X	X	X	X	X	X	X
5	117-242	Box Partition	X	X	X	X	X	X	X	X	X	X	X	X	X	X	X	X	X	X	X	X	X
6	3000-1046	Wire Set Motor HV	X	X	X	X	X	X	X	X	X	X	X	X	X	X	X	X	X	X	X	X	X
7	126-267	Circuit Breaker Base	X	X	X	X	X	X	X	X	X	X	X	X	X	X	X	X	X	X	X	X	X
8	8401-006	Contactor	X	X				X	X			X							X				
8	8401-025	Contactor				X	X				X			X	X				X		X		
9	8611-006	Ground Lug	X	X	X	X	X	X	X	X	X	X	X	X	X	X	X	X	X	X	X	X	X
10	8615-047	Jumper Bar Base																	X	X	X		
11	8615-039	Circuit Breaker 2 Pole 25A Ckt B							X											X	X	X	
11	8615-037	Circuit Breaker 2 Pole 30A Ckt A	X							X													
11	8615-038	Circuit Breaker 2 Pole 35A Ckt A		X						X													
11	8615-055	Circuit Breaker 2 Pole 40A Ckt A									X												
11	8615-039	Circuit Breaker 2 Pole 45A Ckt A				X																	
11	8615-040	Circuit Breaker 2 Pole 50A Ckt A				X																	
11	8615-041	Circuit Breaker 2 Pole 60A Ckt A					X							X	X	X	X	X	X	X	X	X	X
12	8407-068	Transformer	X	X	X	X	X	X	X	X	X	X	X	X	X	X	X	X	X	X	X	X	X
13	8201-062	Relay	X	X	X	X	X	X	X	X	X	X	X	X	X	X	X	X	X	X	X	X	X

Continued on page 14

UPPER CONTROL PANEL COMPONENTS

Drawing No.	Part No.	Description	Q24A2DA0Z	Q30A2DA0Z	Q36A2DA0Z	Q42A2DA0Z	Q48A2DA0Z	Q60A2DA0Z	Q24A2DA05	Q30A2DA05	Q36A2DA05	Q42A2DA05	Q48A2DA05	Q24A2DA10	Q30A2DA10	Q36A2DA10	Q42A2DA10	Q48A2DA10	Q60A2DA10	Q36A2DA15	Q42A2DA15	Q48A2DA15	Q60A2DA15
<i>Continued from page 13</i>																							
14	8401-006	Contactora						X	X	X							X	X	X				
14	8401-025	Contactora												X					X	X			
15	8402-100	Limits						X	X	X		2							2		3		
15	8402-131	Limits																					3
16	8604-103	Heat Strip 5KW						X	X	X									X	X			
16	8604-104	Heat Strip 10 KW										X		X					X	X			
18	116-191	Heat Strip Wrapper	X	X	X	X	X	X	X	X	X	X	X	X	X	X	X	X	X	X	X	X	X
19	3000-1206	Wire Harness Motor LV	X	X	X	X	X	X	X	X	X	X	X	X	X	X	X	X	X	X	X	X	X
21	8611-094	Indicator Light	X	X	X	X	X	X	X	X	X	X	X	X	X	X	X	X	X	X	X	X	X
22	112-225	Bracket	X	X	X	X	X	X	X	X	X	X	X	X	X	X	X	X	X	X	X	X	X
23	3000-1314	Wire Set	X	X	X	X	X	X	X	X	X	X	X	X	X	X	X	X	X	X	X	X	X
26	8201-113	Relay Logic Board	X	X	X	X	X	X	X	X	X	X	X	X	X	X	X	X	X	X	X	X	X
NS	132-145	Heat Strip Cover						X	X	X		X		X				X	X	X			
NS	4108-104	Heat Strip Wiring Diagram	X	X	X	X																	
NS	4108-105	Heat Strip Wiring Diagram						X	X	X													
NS	4108-106	Heat Strip Wiring Diagram												X				X					
NS	4108-107	Heat Strip Wiring Diagram																		X			X

NS = Not Shown

This table references exploded view on page 14

UPPER CONTROL PANEL COMPONENTS

Drawing No.	Part No.	Description	Q24A2DB0Z	Q30A2DB0Z	Q36A2DB0Z	Q42A2DB0Z	Q48A2DB0Z	Q60A2DB0Z	Q24A2DB06	Q30A2DB06	Q36A2DB06	Q42A2DB06	Q48A2DB06	Q24A2DB09	Q30A2DB09	Q36A2DB09	Q42A2DB09	Q48A2DB09	Q60A2DB09	Q30A2DB12	Q36A2DB15	Q42A2DB15	Q48A2DB15	Q60A2DB15
1	3000-1313	Wire Set P2	X	X	X	X	X	X	X	X	X	X	X	X	X	X	X	X	X	X	X	X	X	X
2	117-241	Control Panel	X	X	X	X	X	X	X	X	X	X	X	X	X	X	X	X	X	X	X	X	X	X
3	8201-164	Compressor Control Module	X	X	X	X	X	X	X	X	X	X	X	X	X	X	X	X	X	X	X	X	X	X
4	8607-022	Terminal Block	X	X	X	X	X	X	X	X	X	X	X	X	X	X	X	X	X	X	X	X	X	X
5	117-242	Box Partition	X	X	X	X	X	X	X	X	X	X	X	X	X	X	X	X	X	X	X	X	X	X
6	3000-1046	Wire Set Motor HV	X	X	X	X	X	X	X	X	X	X	X	X	X	X	X	X	X	X	X	X	X	X
7	126-267	Circuit Breaker Base	X	X	X	X	X	X	X	X	X	X	X	X	X	X	X	X	X	X	X	X	X	X
8	8401-002	Contactors	X	X	X	X	X	X	X	X	X	X	X	X	X	X	X	X	X	X	X	X	X	X
9	8611-006	Ground Lug	X	X	X	X	X	X	X	X	X	X	X	X	X	X	X	X	X	X	X	X	X	X
11	8615-054	Circuit Breaker 3 Pole 20A	X																					
11	8615-051	Circuit Breaker 3 Pole 25A		X					X															
11	8615-052	Circuit Breaker 3 Pole 30A							X															
11	8615-042	Circuit Breaker 3 Pole 35A			X				X					X										
11	8615-044	Circuit Breaker 3 Pole 45A				X												X	X					
11	8615-046	Circuit Breaker 3 Pole 60A					X															X		X
12	8407-068	Transformer	X	X	X	X	X	X	X	X	X	X	X	X	X	X	X	X	X	X	X	X	X	X
13	8201-062	Relay	X	X	X	X	X	X	X	X	X	X	X	X	X	X	X	X	X	X	X	X	X	X
14	8401-002	Contactors						X	X	X	X	X	X	X	X	X	X	X	X	2	2	2	2	2
15	8402-100	Limits						2	2	2	2	2	2	2	2	2	2	2	2	4	4	4	4	4
15	8402-131	Limits																	2					
16	8604-105	Heat Strip 6 KW						X	X	X	X	X	X	X	X	X	X	X	X	2	X	X	X	X
16	8604-106	Heat Strip 9 KW												X				X				X	X	X
18	116-191	Heat Strip Wrapper	X	X	X	X	X	X	X	X	X	X	X	X	X	X	X	X	X	X	X	X	X	X
19	3000-1205	Wire Harness Motor LV	X	X	X	X	X	X	X	X	X	X	X	X	X	X	X	X	X	X	X	X	X	X
20	8201-126	Phase Monitor	X	X	X	X	X	X	X	X	X	X	X	X	X	X	X	X	X	X	X	X	X	X
21	8611-094	Indicator Light	X	X	X	X	X	X	X	X	X	X	X	X	X	X	X	X	X	X	X	X	X	X
22	112-225	Bracket	X	X	X	X	X	X	X	X	X	X	X	X	X	X	X	X	X	X	X	X	X	X
23	3000-1314	Wire Set PL3	X	X	X	X	X	X	X	X	X	X	X	X	X	X	X	X	X	X	X	X	X	X
26	8201-113	Relay Logic Board	X	X	X	X	X	X	X	X	X	X	X	X	X	X	X	X	X	X	X	X	X	X
NS	132-145	Heat Strip Cover						X	X	X	X	X	X	X	X	X	X	X	X	X	X	X	X	X
NS	4108-204	Heat Strip Wiring Diagram	X	X	X	X	X																	
NS	4108-205	Heat Strip Wiring Diagram						X	X	X	X	X	X	X	X	X	X	X	X					
NS	4108-206	Heat Strip Wiring Diagram																		X	X	X	X	X

NS = Not Shown

This table references exploded view on page 14

UPPER CONTROL PANEL COMPONENTS

Drawing No.	Part No.	Description	Q24A2DC0Z	Q30A2DC0Z	Q36A2DC0Z	Q42A2DC0Z	Q48A2DC0Z	Q60A2DC0Z	Q24A2DC06	Q30A2DC06	Q36A2DC06	Q42A2DC06	Q48A2DC06	Q24A2DC09	Q30A2DC09	Q36A2DC09	Q42A2DC09	Q48A2DC09	Q30A2DC09	Q30A2DC12	Q36A2DC15	Q42A2DC15	Q48A2DC15	Q60A2DC15
1	3000-1313	Wire Set P2	X	X	X	X	X	X	X	X	X	X	X	X	X	X	X	X	X	X	X	X	X	X
2	117-241	Control Panel	X	X	X	X	X	X	X	X	X	X	X	X	X	X	X	X	X	X	X	X	X	X
3	8201-164	Compressor Control Module	X	X	X	X	X	X	X	X	X	X	X	X	X	X	X	X	X	X	X	X	X	X
4	8607-022	Terminal Block	X	X	X	X	X	X	X	X	X	X	X	X	X	X	X	X	X	X	X	X	X	X
5	117-242	Box Partition	X	X	X	X	X	X	X	X	X	X	X	X	X	X	X	X	X	X	X	X	X	X
6	3000-1145	Wire Harness Motor HV	X	X	X	X	X	X	X	X	X	X	X	X	X	X	X	X	X	X	X	X	X	X
7	126-323	Circuit Breaker Base	X	X	X	X	X	X	X	X	X	X	X	X	X	X	X	X	X	X	X	X	X	X
8	8401-002	Contacto	X	X	X	X	X	X	X	X	X	X	X	X	X	X	X	X	X	X	X	X	X	X
9	8611-006	Ground Lug	X	X	X	X	X	X	X	X	X	X	X	X	X	X	X	X	X	X	X	X	X	X
11	S8615-068	Rotary Disconnect	X	X	X	X	X	X	X	X	X	X	X	X	X	X	X	X	X	X	X	X	X	X
12	8407-069	Transformer	X	X	X	X	X	X	X	X	X	X	X	X	X	X	X	X	X	X	X	X	X	X
13	8201-062	Relay	X	X	X	X	X	X	X	X	X	X	X	X	X	X	X	X	X	X	X	X	X	X
14	8401-002	Contacto 3 Pole	X	X	X	X	X	X	X	X	X	X	X	X	X	X	X	X	X	X	X	X	X	X
15	8402-100	Limits							2		2									4		4		
15	8402-131	Limits														2								4
16	8604-107	Heat Strip 6KW 480V							X											2	X		X	X
16	8604-108	Heat Strip 9KW 480V									X				X						X		X	X
17	8614-041	Fuse Holder	X	X	X	X	X	X	X	X	X	X	X	X	X	X	X	X	X	X	X	X	X	X
18	116-191	Heat Strip Wrapper	X	X	X	X	X	X	X	X	X	X	X	X	X	X	X	X	X	X	X	X	X	X

Continued on page 17

This table references exploded view on page 14

UPPER CONTROL PANEL COMPONENTS

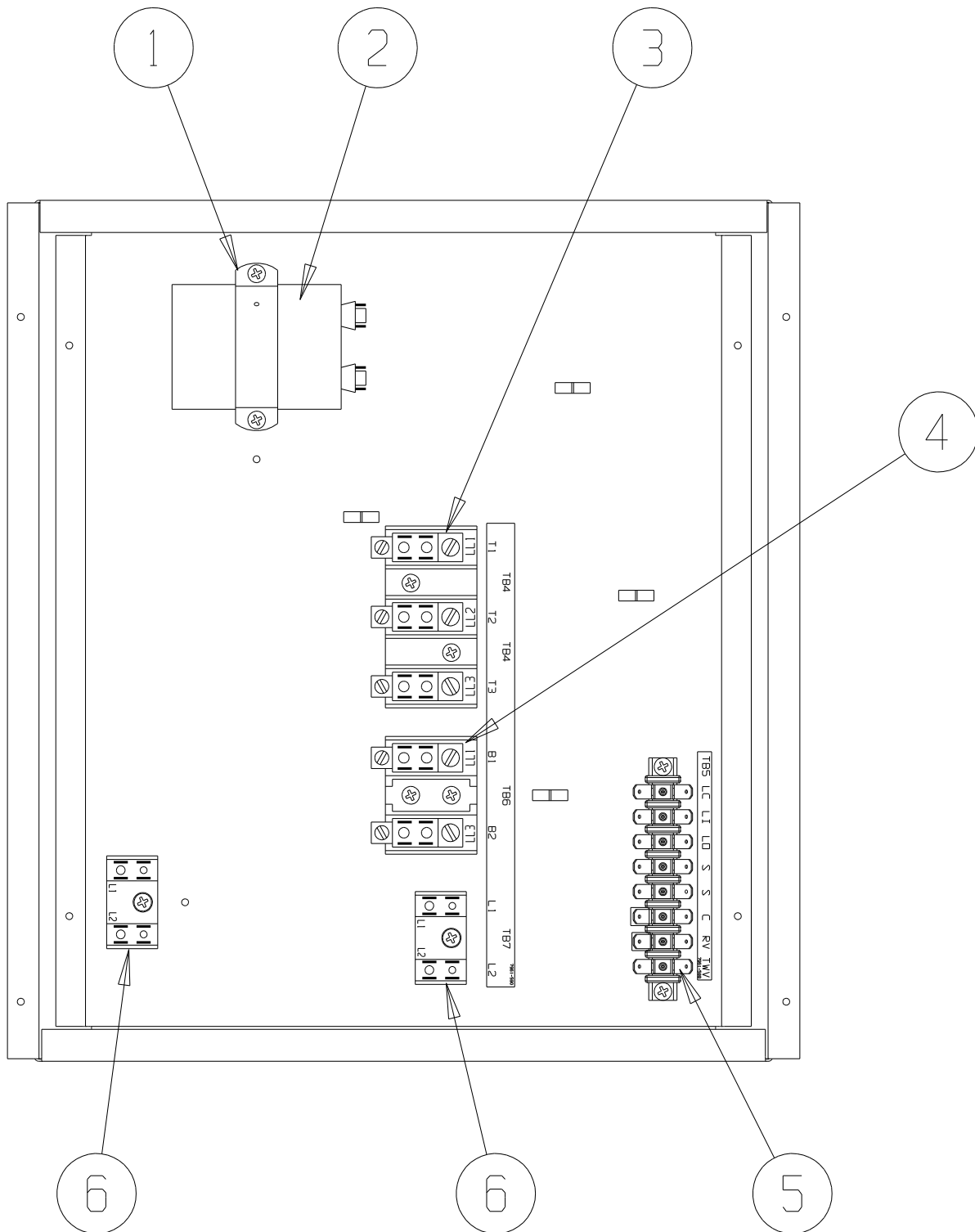
Drawing No.	Part No.	Description	Q24A2DC0Z	Q30A2DC0Z	Q36A2DC0Z	Q42A2DC0Z	Q48A2DC0Z	Q60A2DC0Z	Q24A2DC06	Q30A2DC06	Q36A2DC06	Q42A2DC06	Q48A2DC06	Q24A2DC09	Q30A2DC09	Q36A2DC09	Q42A2DC09	Q48A2DC09	Q60A2DC09	Q30A2DC12	Q36A2DC15	Q42A2DC15	Q48A2DC15	Q60A2DC15
<i>Continued from page 16</i>																								
19	3000-1206	Wire Harness Motor LV	X	X	X			X			X				X			X		X	X			
20	8201-126	Phase Monitor	X	X	X	X		X	X	X	X	X	X	X	X	X	X	X	X	X	X	X	X	X
21	8611-094	Indicator Light	X	X	X	X		X	X	X	X	X	X	X	X	X	X	X	X	X	X	X	X	X
22	112-225	Bracket	X	X	X	X		X	X	X	X	X	X	X	X	X	X	X	X	X	X	X	X	X
23	3000-1314	Wire Set PL3	X	X	X	X		X	X	X	X	X	X	X	X	X	X	X	X	X	X	X	X	X
24	8614-042	Fuses Class CC 7A						X								X			X					X
24	8614-046	Fuses Class CC 5A		X	X			X		X	X	X	X	X	X	X	X	X	X	X	X	X	X	X
24	8614-017	Fuses Class CC 3.2A	X	X				X	X	X	X	X	X	X	X	X	X	X	X	X	X	X	X	X
25	8615-071	Disconnect Handle	X	X	X	X		X	X	X	X	X	X	X	X	X	X	X	X	X	X	X	X	X
26	8201-113	Relay Logic Board	X	X	X	X		X	X	X	X	X	X	X	X	X	X	X	X	X	X	X	X	X
NS	8407-058	Transformer Stepdown 1.0 KVA	X	X				X	X	X	X	X	X	X	X	X	X	X	X	X	X	X	X	X
NS	8407-003	Transformer Stepdown 1.5 KVA		X	X			X		X	X	X	X	X	X	X	X	X	X	X	X	X	X	X
NS	8407-004	Transformer Stepdown 2.0 KVA						X								X			X					X
NS	132-145	Heat Strip Cover								X	X	X	X	X	X	X	X	X	X	X	X	X	X	X
NS	4108-304	Heat Kit Wiring Diagram	X	X	X																			
NS	4108-305	Heat Kit Wiring Diagram							X	X	X	X	X	X	X	X	X	X	X	X	X	X	X	X
NS	4108-306	Heat Kit Wiring Diagram																		X	X	X	X	X

- ① 7 Amp fuses used with 2.0 KVA transformer.
- ② 5 Amp fuses used with 1.5 KVA transformer.
- ③ 3.2 Amp fuses used with 1KVA transformer.

NS = Not Shown

This Table references Exploded View on Page 14

LOWER CONTROL PANEL COMPONENTS

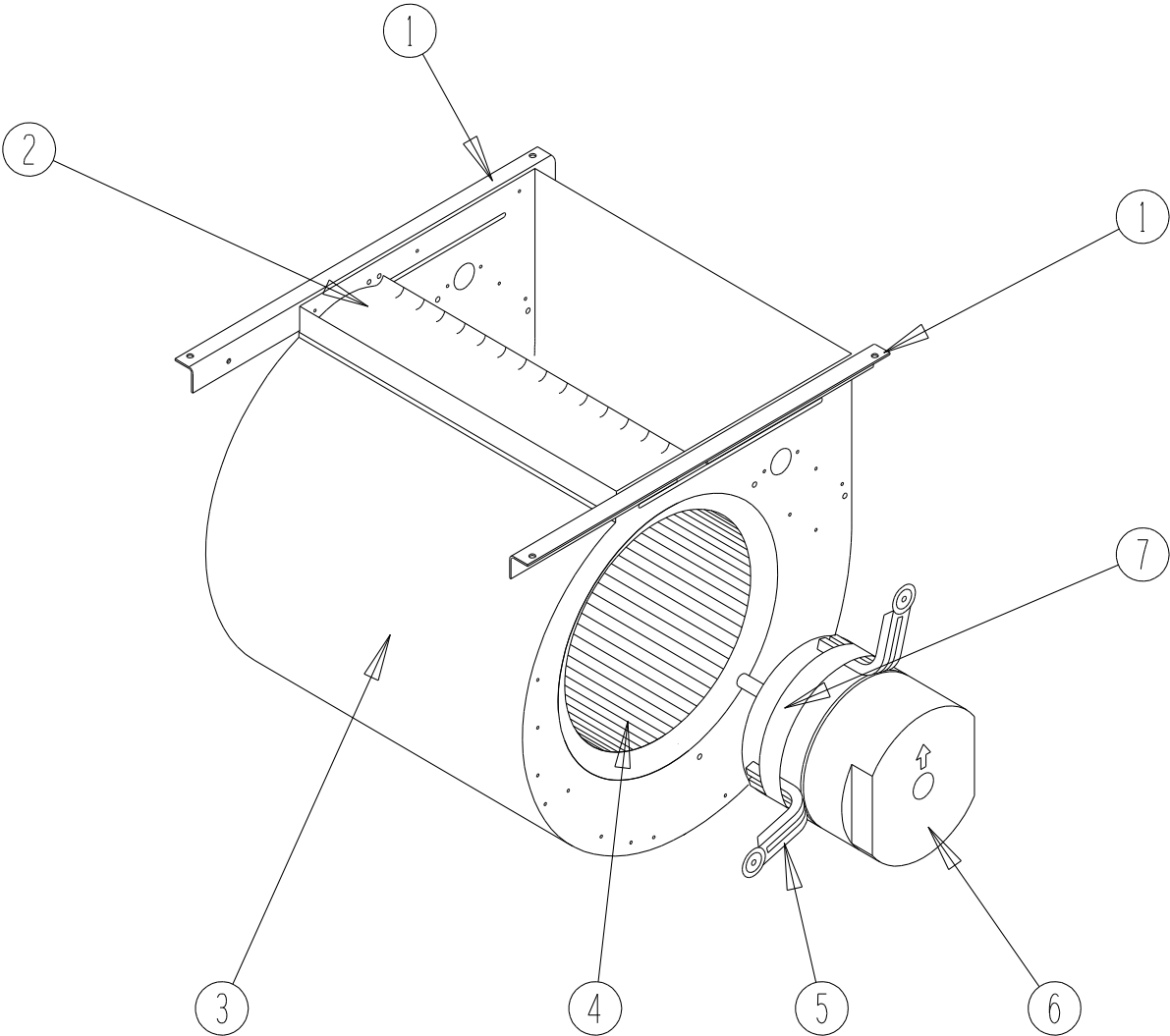


SEXP-424

LOWER CONTROL PANEL COMPONENTS

Drawing No.	Part No.	Description	Q24A2DA	Q30A2DA	Q36A2DA	Q42A2DA	Q48A2DA	Q60A2DA	Q24A2DB	Q30A2DB	Q36A2DB	Q42A2DB	Q48A2DB	Q60A2DB	Q24A2DC	Q30A2DC	Q36A2DC	Q42A2DC	Q48A2DC	Q60A2DC
1	8550-008	Capacitor Strap	X	X	X	X	X	X												
1	8550-003	Capacitor Strap								X									X	
2	8552-002	Fan Capacitor								X									X	
2	8552-050	Compressor Capacitor	X																	
2	8552-052	Compressor Capacitor		X	X	X														
2	8552-081	Compressor Capacitor					X													
2	8552-061	Compressor Capacitor						X												
3	8607-014	Terminal Block 3 Terminal								X									X	
4	8607-013	Terminal Block 2 Terminal	X	X	X	X	X	X												X
5	8607-022	Terminal Block 8 Position	X	X	X	X	X	X		X										X
6	8607-017	Terminal Block 2 Terminal	X	X	X	X	X	X		X										2

BLOWER ASSEMBLY COMPONENTS

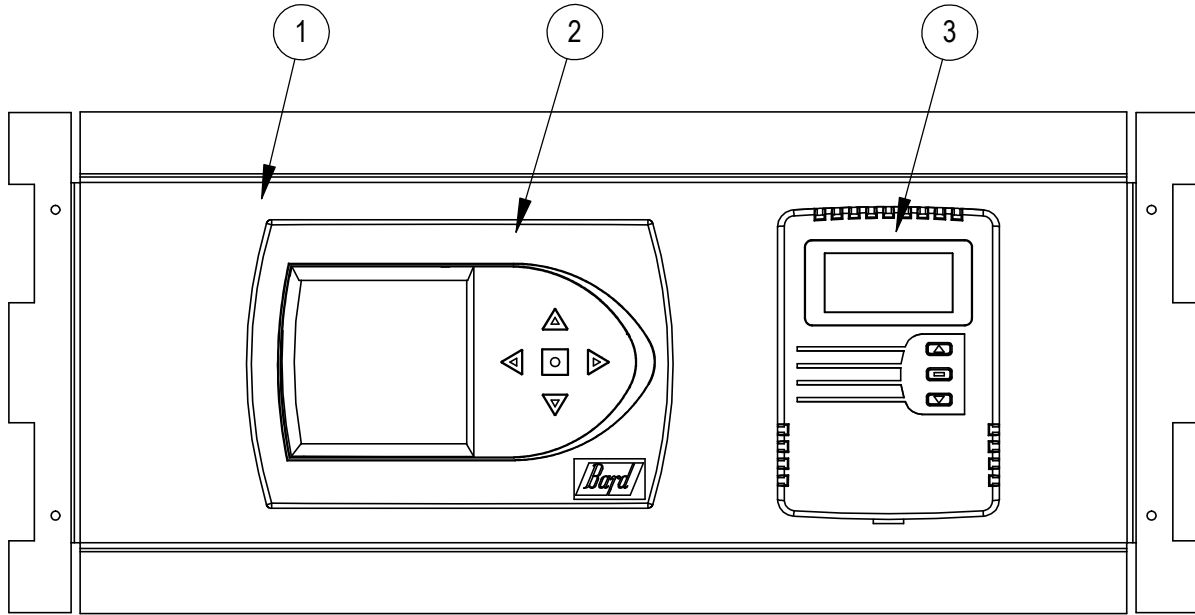


SEXP-245

BLOWER ASSEMBLY COMPONENTS

Drawing No.	Part No.	Description	900-225-001	900-225-002	900-225-004	900-225-005	900-254-001
1	104-980	Blower Angle	2	2	2	2	2
2	144-131	Diffuser	X	X	X	X	X
3	151-110	Blower Housing	X	X	X	X	X
4	5152-061	Blower Wheel	X	X	X	X	X
5	8620-034	Motor Mount Kit	1	1	1	1	1
6	S8106-051-0003B	1/2 HP ECM Motor with Programmed Control	X				
6	C8106-051-0003B	Programmed Motor Control - Only	X				
6	S8106-051-0004A	1/2 HP ECM Motor with Programmed Control		X			
6	C8106-051-0004A	Programmed Motor Control - Only		X			
6	S8106-051-0005B	1/2 HP ECM Motor with Programmed Control			X		
6	C8106-051-0005B	Programmed Motor Control - Only			X		
6	S8106-051-0013A	1/2 HP ECM Motor with Programmed Control				X	
6	C8106-051-0013A	Programmed Motor Control - Only				X	
6	S8107-016-0024B	3/4 HP ECM Motor with Programmed Control					X
6	C8107-016-0024B	Programmed Motor Control - Only					X
7	8620-034	Motor Mount	X	X	X	X	X

OPTIONAL CLIMATE CONTROLS



SEXP-704

OPTIONAL CLIMATE CONTROLS

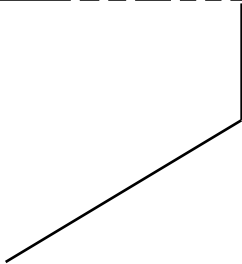
Drawing No.	Part No.	Description	Q24A2D, Q30A2D Q36A2D, Q42A2D Q48A2D, Q60A2D				
			Option X	Option E	Option I	Option J	Option K
1	S127-313-* ①	Thermostat Plate	X				
1	S127-308-* ①	Thermostat Plate		X			
1	S127-372-* ①	Thermostat Plate			X		
1	S127-427-* ①	Thermostat Plate				X	X
2	8403-060	Electronic/Programmable Manual/Auto Changeover w/Humidstat		X	X		
2	CS9BE-THO	Temperature, Humidity & Occupancy				X	
2	CS9BE-THOC	Temperature, Humidity, Occupancy & CO2					X
3	8403-067	CO2 Sensor			X		
NS	3000-1311	Wire Harness, Low Voltage, Terminal Strip to PL2	X				
NS	3000-1309	Wire Harness, Thermostat to PL2		X		X	X
NS	3000-1310	Wire Harness			X		
NS	8607-019	Low Voltage Terminal Strip	X				
NS	4102-072	Wiring Diagram	X				
NS	4102-074	Wiring Diagram		X			
NS	4102-075	Wiring Diagram			X		
NS	4102-077	Wiring Diagram				X	X

① Exterior cabinet parts are manufactured with various paint color options. To ensure the proper color is received, include the complete model and serial number of the unit for which the parts are being ordered.

NS Not Shown

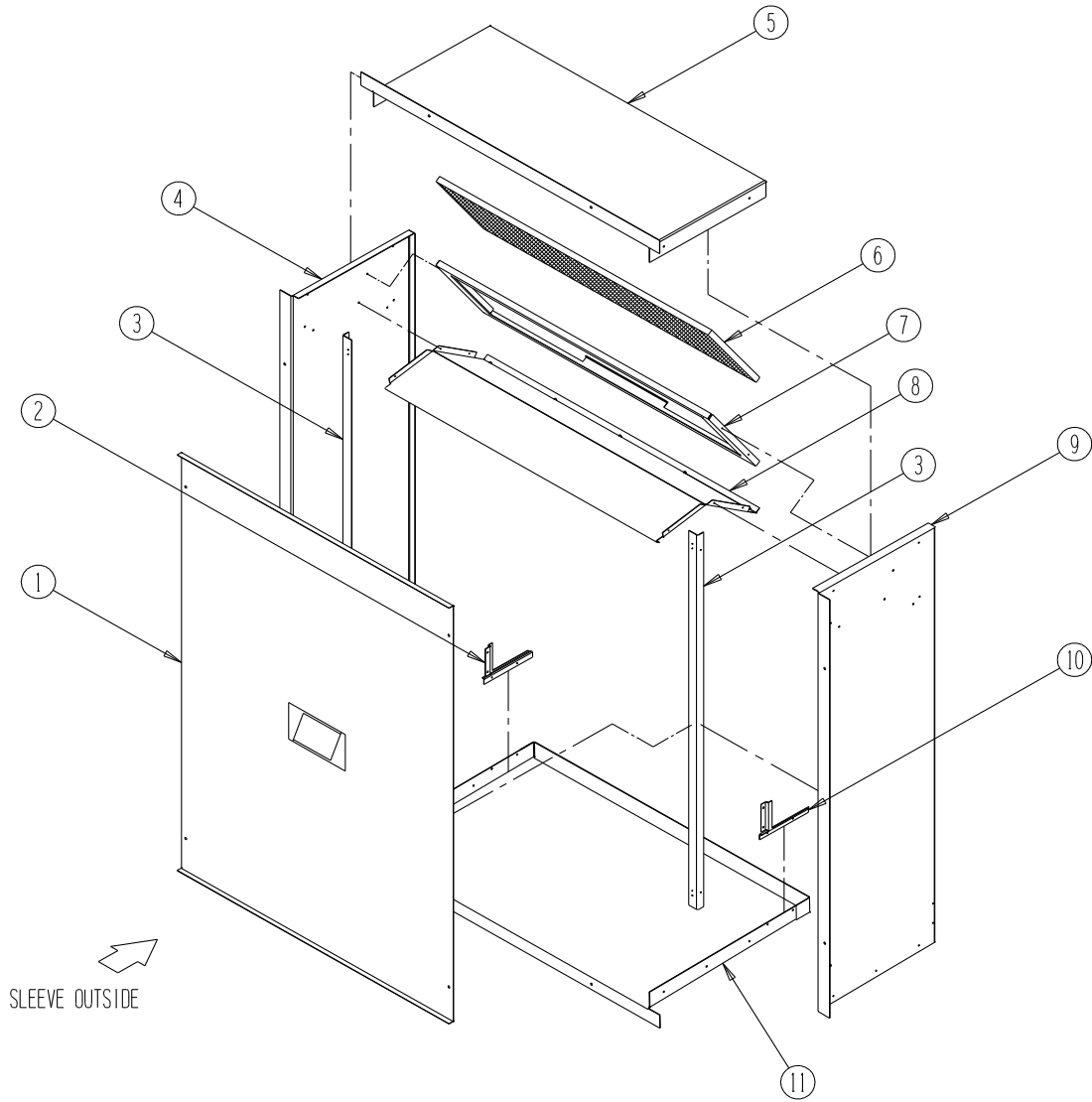
CLIMATE CONTROL OPTION NOMENCLATURE AS SHOWN IN UNIT MODEL NUMBER

Q 36A2 D A 09 X X X X X X



- X – None
- E – Electronic, programmable, manual/auto changeover w/humidistat
- I – Electronic, programmable, manual/auto changeover w/humidistat & CO₂ controller
- J – Electronic, programmable, manual/auto changeover w/humidistat with BACnet, IP, MS/TP or Ethernet
- K – Electronic, programmable, manual/auto changeover w/humidistat & CO₂ controller with BACnet, IP, MS/TP or Ethernet

WALL SLEEVE CABINET COMPONENTS



SEXP-281

WALL SLEEVE CABINET COMPONENTS

Drawing No.	Part No.	Description	QWS42A	QWS42A-16	QWS48A	QWS48A-16
1	142-056	Cover	X	X		
1	142-068	Cover			X	X
2	137-450-X	Left Sleeve Corner Fill	X	X	X	X
3	104-988-X	Angle	2	2	2	2
4	111-081-X	Left Side	X		X	
4	111-083-X	Left Side		X		X
5	111-047-X	Top	X			
5	110-050-X	Top		X		
5	110-056-X	Top			X	
5	110-070-X	Top				X
6	7003-044	Mist Eliminator	X	X	X	X
7	131-120-X	Filter Tray	X	X		
7	131-128-X	Filter Tray			X	X
8	121-305-X	Partition	X			
8	121-309-X	Partition		X		
8	121-322-X	Partition			X	
8	121-348-X	Partition				X
9	111-080-X	Right Side	X		X	
9	111-082-X	Right Side		X		X
10	137-449-X	Right Sleeve Corner Fill	X	X		
11	111-046-X	Base	X			
11	111-049-X	Base		X		
11	111-055-X	Base			X	
11	111-071-X	Base				X