
REPLACEMENT PARTS MANUAL

WALL MOUNTED PACKAGED AIR CONDITIONER

Models:

H42L4-A H48L4-A H60L4-A

General Notes

- Revised and/or additional pages may be issued from time to time.
- A complete and current manual consists of pages shown in the following contents section.

Important

- Contact the installing and/or local Bard distributor for all parts requirements. Make sure to have the complete model and serial number available from the unit rating plates.

Contents

| <u>Description</u> | <u>Page</u> |
|-----------------------|-------------|
| Cabinet Components | |
| ♦ Exploded View | 2 |
| ♦ Usage List | 3 |
| Functional Components | |
| ♦ Exploded View | 4 |
| ♦ Usage List | 5 |
| Control Panel | |
| ♦ Layout View | 6 |
| ♦ Usage List | 7 |
| Blower Assembly | |
| ♦ Exploded View | 8 |
| ♦ Usage List | 8 |

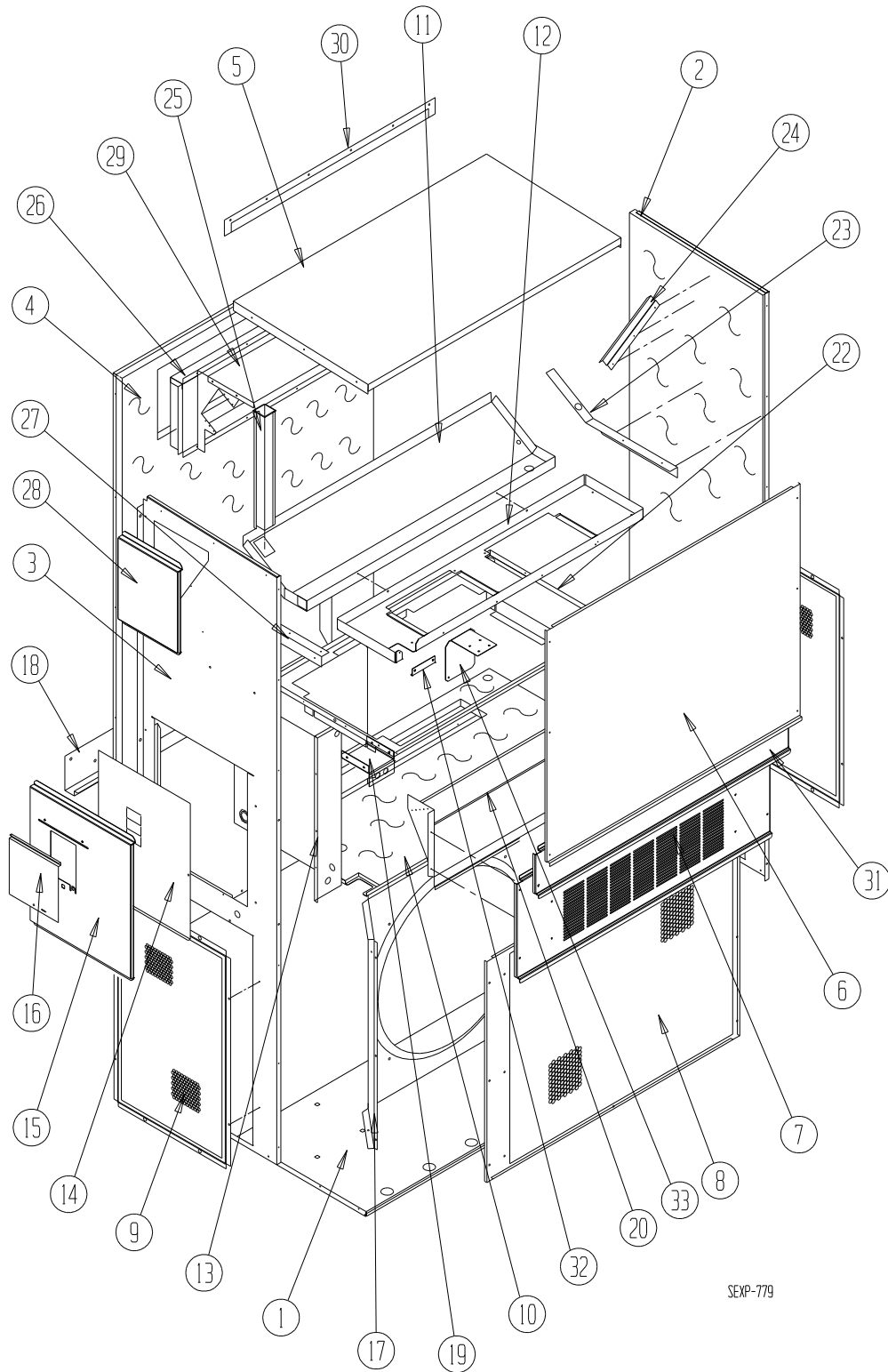


Climate Control Solutions

Bard Manufacturing Company, Inc.
Bryan, Ohio 43506
www.bardhvac.com

Manual: 2110-1520B
Supersedes: 2110-1520A
Date: 7-7-16

CABINET COMPONENTS



SEXP-779

CABINET COMPONENTS

| Dwg No. | Part Number | Description | H42L4-A | H48L4-A | H60L4-A |
|---------|---------------------|--|---------|---------|---------|
| 1 | S127-428 | Lower Base | X | X | X |
| 1 | S127-436 ③ | Lower Base | X | X | X |
| 2 | S501-687-* ① | Right Side | X | X | X |
| 2 | S501-713 ② | Right Side | X | X | X |
| 2 | S501-715 ③ | Right Side | X | X | X |
| 3 | S501-680-* ① | Left Side | X | X | X |
| 3 | S501-714 ② | Left Side | X | X | X |
| 3 | S501-716 ③ | Left Side | X | X | X |
| 4 | S508-098 | Back | X | X | X |
| 4 | S508-275 ② | Back | X | X | X |
| 4 | S508-221 ③ | Back | X | X | X |
| 5 | S507-307-* ① | Top | X | X | X |
| 5 | S507-309 ② | Top | X | X | X |
| 5 | S507-310 ③ | Top | X | X | X |
| 6 | S515-230-* ① | Upper Front | X | X | X |
| 6 | S514-231 ② | Upper Front | X | X | X |
| 6 | S514-232 ③ | Upper Front | X | X | X |
| 7 | S553-522-* ① | Vent Option Door | X | X | X |
| 7 | S553-525 ② | Vent Option Door | X | X | X |
| 7 | S553-527 ③ | Vent Option Door | X | X | X |
| 8 | 118-049-* ① | Condenser Grille | X | X | X |
| 8 | 118-065 ② | Condenser Grille | X | X | X |
| 8 | 118-074 ③ | Condenser Grille | X | X | X |
| 9 | 118-057-* ① | Side Grille | 2 | 2 | 2 |
| 9 | 118-063 ② | Side Grille | 2 | 2 | 2 |
| 9 | 118-073 ③ | Side Grille | 2 | 2 | 2 |
| 10 | S521Y462 | Condenser Partition | X | X | X |
| 11 | S123-121 | Drain Pan | X | X | X |
| 11 | S123-137 ②③ | Drain Pan | X | X | X |
| 12 | 121Y463 | Blower Partition | X | X | X |
| 13 | Control Panel Assy. | See Control Panel Assy. Drawing & Parts List | X | X | X |
| 14 | S133-114 | Control Panel Cover (Inner) | X | X | X |
| 15 | S533-227-* ① | Control Panel Cover (Outer) | X | X | X |
| 15 | S533-231 ② | Control Panel Cover (Outer) | X | X | X |
| 15 | S533-233 ③ | Control Panel Cover (Outer) | X | X | X |
| 16 | S153-218-* ① | Disconnect Access Door | X | X | X |
| 16 | S153-387 ② | Disconnect Access Door | X | X | X |
| 16 | S153-405 ③ | Disconnect Access Door | X | X | X |
| 17 | 125-024 | Fan Shroud | X | X | X |
| 17 | 125-058 ③ | Fan Shroud | X | X | X |
| 18 | 113-140 | Bottom Mounting Bracket | X | X | X |
| 19 | 137-209 | Fill | X | X | X |
| 20 | BFAD-5 | Fresh Air Damper Assembly | X | X | X |
| 22 | S131Y164 | Filter Tray | X | X | X |
| 23 | 105Y878 | Left Side Support | X | X | X |
| 24 | 147-046 | Left Evaporator Support | X | X | X |
| 25 | 135-128 | Raceway | 2 | 2 | 2 |
| 26 | S111Y034 | Outlet Air Frame Assembly | X | X | X |
| 27 | 105Y877 | Right Side Support | X | X | X |
| 28 | S543-172-* ① | Right Side Cover Plate (Outer) | X | X | X |
| 28 | S543-176 ② | Right Side Cover Plate (Outer) | X | X | X |
| 28 | S543-177 ③ | Right Side Cover Plate (Outer) | X | X | X |
| 29 | 135-129 | Heat Shield | X | X | X |
| 30 | 113-150-* ① | Top Rain Flashing | X | X | X |
| 30 | 113-359 ③ | Top Rain Flashing | X | X | X |
| 31 | S553-521-* ① | Filter Door Assembly | X | X | X |
| 31 | S553-526 ② | Filter Door Assembly | X | X | X |
| 31 | S553-528 ③ | Filter Door Assembly | X | X | X |
| 32 | 105-1302 | Grommet Retainer | X | X | X |
| 33 | 113-599 | Switch Mounting Bracket | X | X | X |
| 34 | 113-600 | Light Switch Bracket | X | X | X |
| NS | S536-498 | Cond. Partition Block Off Plate | X | X | X |
| NS | 105-1324 | Close-Off Angle | X | X | X |

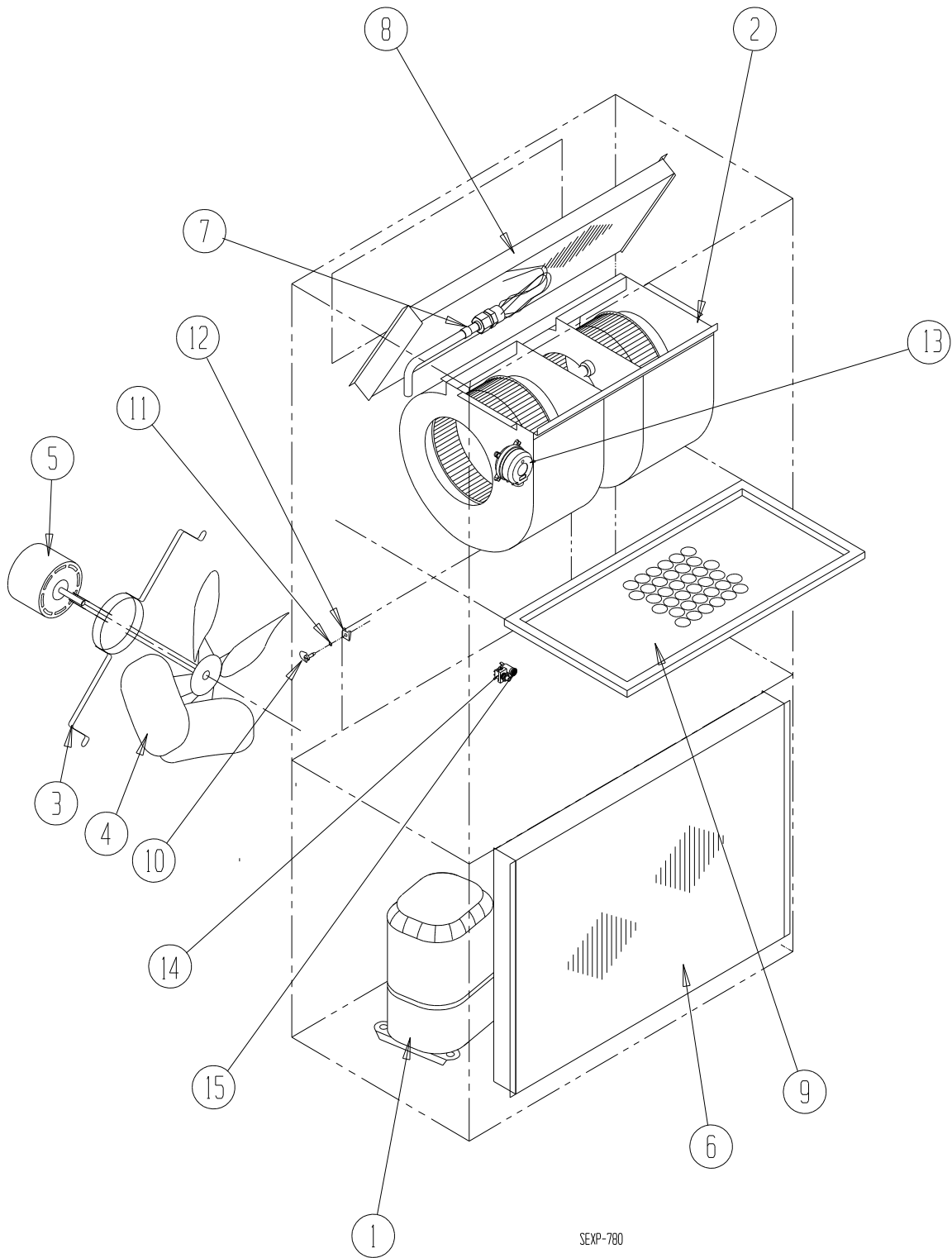
① Exterior cabinet parts are manufactured with various paint color options. To ensure the proper paint color is received, reference the following codes: Beige -X, White -1, Buckeye Gray -4, Desert Brown -5, Dark Bronze -8

② Exterior cabinet parts are manufactured from aluminum Code "A"

③ Exterior cabinet parts are manufactured from stainless steel Code "S"

NS – Not Shown

FUNCTIONAL COMPONENTS

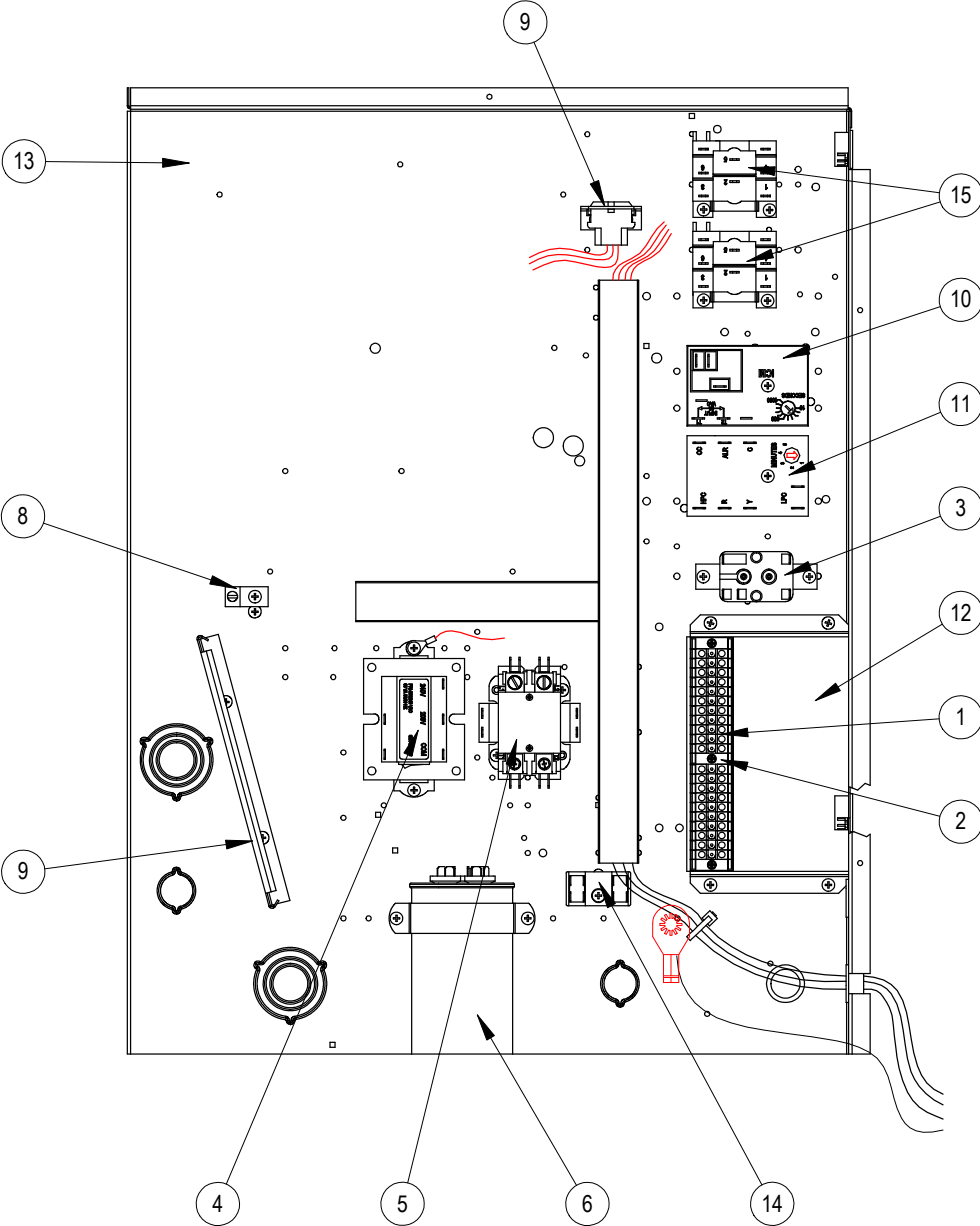


FUNCTIONAL COMPONENTS

| Dwg No. | Part Number | Description | H42L4-A | H48L4-A | H60L4-A |
|---------|-------------|------------------------------|---------|---------|---------|
| 1 | 8000-318 | Compressor | X | | |
| 1 | 8000-400 | Compressor | | X | |
| 1 | 8000-324 | Compressor | | | X |
| 2 | S900-320 | Blower Assembly | X | X | |
| 2 | S900-185 | Blower Assembly | | | X |
| 3 | 8200-004 | Fan Motor Mount | X | X | X |
| 4 | 5151-060 | Fan Blade | X | X | X |
| 5 | 8105-039 | Condenser Motor | X | X | X |
| 6 | 5051-179BX | Condenser Coil | X | X | |
| 6 | 5051-180BX | Condenser Coil | | | X |
| 7 | 800-0420 | Distributor Assembly | X | | |
| 7 | 800-0422 | Distributor Assembly | | X | |
| 7 | 800-0423 | Distributor Assembly | | | X |
| 8 | 917-0207BX | Evaporator Coil | | X | |
| 8 | 917-0208BX | Evaporator Coil | | | X |
| 8 | 917-0206BX | Evaporator Coil | X | | |
| 9 | 7004-027 | Air Filter 2" Pleated | X | X | X |
| 10 | 1171-022 | 1/4 Turn Fastener | X | X | X |
| 11 | 1171-024 | 1/4 Turn Retainer | X | X | X |
| 12 | 1171-023 | 1/4 Receptacle | X | X | X |
| 13 | 8301-057 | Filter Switch w/Adjustment | X | X | X |
| 14 | 910-1973 | Switch Wire Harness | X | X | X |
| 15 | 8611-094 | Indicator Light | X | X | X |
| NS | 5201-022 | Filter Drier | X | X | X |
| NS | CMA-28 | Low Ambient Control | X | X | X |
| NS | 1804-0462 | High Pressure Switch (Flare) | X | X | X |
| NS | 1804-0386 | Low Pressure Switch (Flare) | X | X | X |
| NS | 5451-024 | Tubing Isolation Grommet | 2 | 2 | 2 |
| NS | 6031-009 | Coremax Valve Core | X | X | X |

NS – Not shown

CONTROL PANEL



SEXP-778

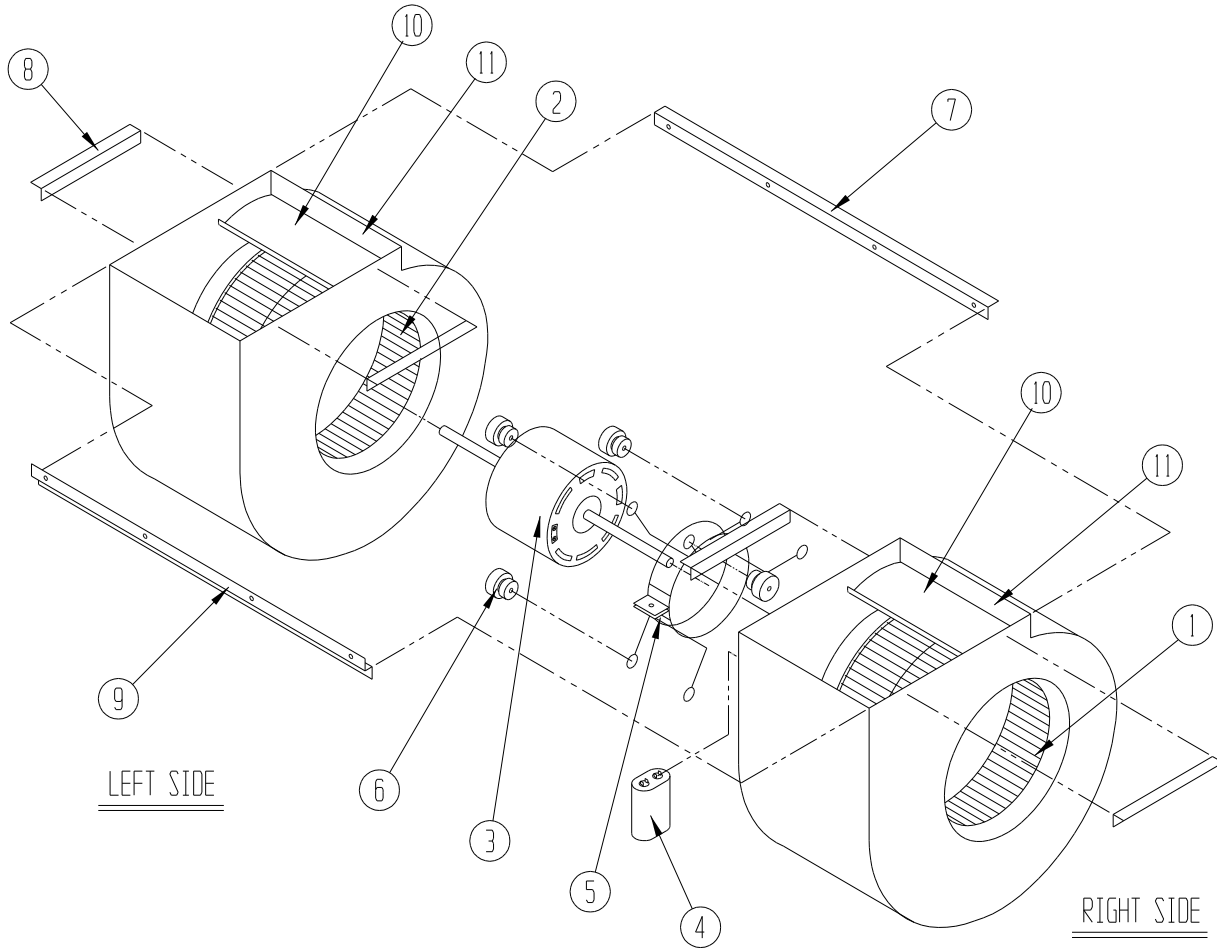
CONTROL PANEL

| Dwg No. | Part Number | Description | H42L4-A | H48L4-A | H60L4-A |
|---------|-------------|----------------------------------|---------|---------|---------|
| 1 | 8607-046 | Terminal Block Section | X | X | X |
| 2 | 8607-047 | Terminal Strip Mount Section | X | X | X |
| 3 | 8201-062 | Dirty Filter Relay | X | X | X |
| 4 | 8407-048 | Transformer | X | X | X |
| 5 | 8401-025 | Compressor Contactor | X | X | X |
| 6 | 8552-079 | Compressor Capacitor | X | | |
| 6 | 8552-089 | Compressor Capacitor | | X | |
| 6 | 8552-058 | Compressor Capacitor | | | X |
| 7 | 135-130 | Wire Shield | X | X | X |
| 8 | 8611-006 | Ground Terminal | X | X | X |
| 9 | 3000-1277 | 6 Pin Connector | X | X | X |
| 10 | 8201-133 | Time Delay Relay | X | X | X |
| 11 | 8201-148 | Compressor Control Module | X | X | X |
| 12 | 117-383 | Low Voltage Box | X | X | X |
| 13 | 117Y340 | Control Panel | X | X | X |
| 14 | 8607-017 | Terminal Block | X | X | X |
| 15 | 8201-086 | Indoor Blower Relay | X | X | X |
| NS | 8615-040 | Circuit Breaker 50A 2 Pole ① | X | X | |
| NS | 8615-041 | Circuit Breaker 60A 2 Pole ① | | | X |
| NS | 4095-187 | Wiring Diagram | X | X | X |
| NS | 3000-1222 | Compressor Plug Wire Assembly | X | X | X |
| NS | 3000-1516 | Vent Wire Assembly – 12 Terminal | X | X | X |

① Circuit breakers listed are for units without electric heat "OZ" models. See Heater Replacement Parts Manual for units with electric heat.

NS – Not shown

BLOWER ASSEMBLY



SEXP-178

| Dwg No. | Part Number | Description | 900-320 | 900-185 |
|---------|-------------|------------------------|---------|---------|
| 1 | 5152-011 | 10 Inch Wheel (CW) | | X |
| 1 | 5152-057 | 9 Inch Wheel (CW) | X | |
| 2 | 5152-012 | 10 Inch Wheel (CW) | | X |
| 2 | 5152-058 | 9 Inch Wheel (CW) | X | |
| 3 | 8105-061 | Blower Motor (230/208) | X | |
| 3 | 8106-046 | Blower Motor (230/208) | | X |
| 4 | 8552-091 | Capacitor | X | |
| 4 | 8552-005 | Capacitor | | X |
| 5 | 8200-040 | Motor Mount | X | X |
| 6 | 5451-011 | Grommets | 6 | 6 |
| 7 | 105-881 | Back Brace | X | X |
| 8 | 105-880 | Side Angle | 4 | 4 |
| 9 | 103-389 | Front Brace | X | X |
| 10 | 151-101 | Housing | 2 | 2 |
| 11 | 144-166 | Diffuser | 2 | 2 |