

---

# REPLACEMENT PARTS MANUAL

---

## WALL-MOUNTED PACKAGED AIR CONDITIONER

### Models:

H24A4-A H36A4-A  
H24L4-A H36L4-A

---

#### **Description**

#### **Page**

|  |    |
|--|----|
| Cabinet Components – H24A4-A, H36A4-A  |    |
| ♦ Exploded View .....                  | 2  |
| ♦ Usage List – H24A4-A.....            | 3  |
| ♦ Usage List – H36A4-A.....            | 4  |
| Cabinet Components – H24L4-A, H36L4-A  |    |
| ♦ Exploded View .....                  | 6  |
| ♦ Usage List – H24L4-A .....           | 7  |
| ♦ Usage List – H36L4-A .....           | 8  |
| Functional Components                  |    |
| ♦ Exploded View .....                  | 10 |
| ♦ Usage List .....                     | 11 |
| Blower Assembly                        |    |
| ♦ Exploded View/Usage List .....       | 12 |
| Control Panel                          |    |
| ♦ Layout View – H24A4-A, H36A4-A ..... | 14 |
| ♦ Layout View – H24L4-A, H36L4-A.....  | 15 |
| ♦ Usage List .....                     | 16 |

#### **General Notes**

- Revised and/or additional pages may be issued from time to time.
- A complete and current manual consists of pages shown in the following contents section.

#### **Important**

- Contact the installing and/or local Bard distributor for all parts requirements. Make sure to have the complete model and serial number available from the unit rating plates.

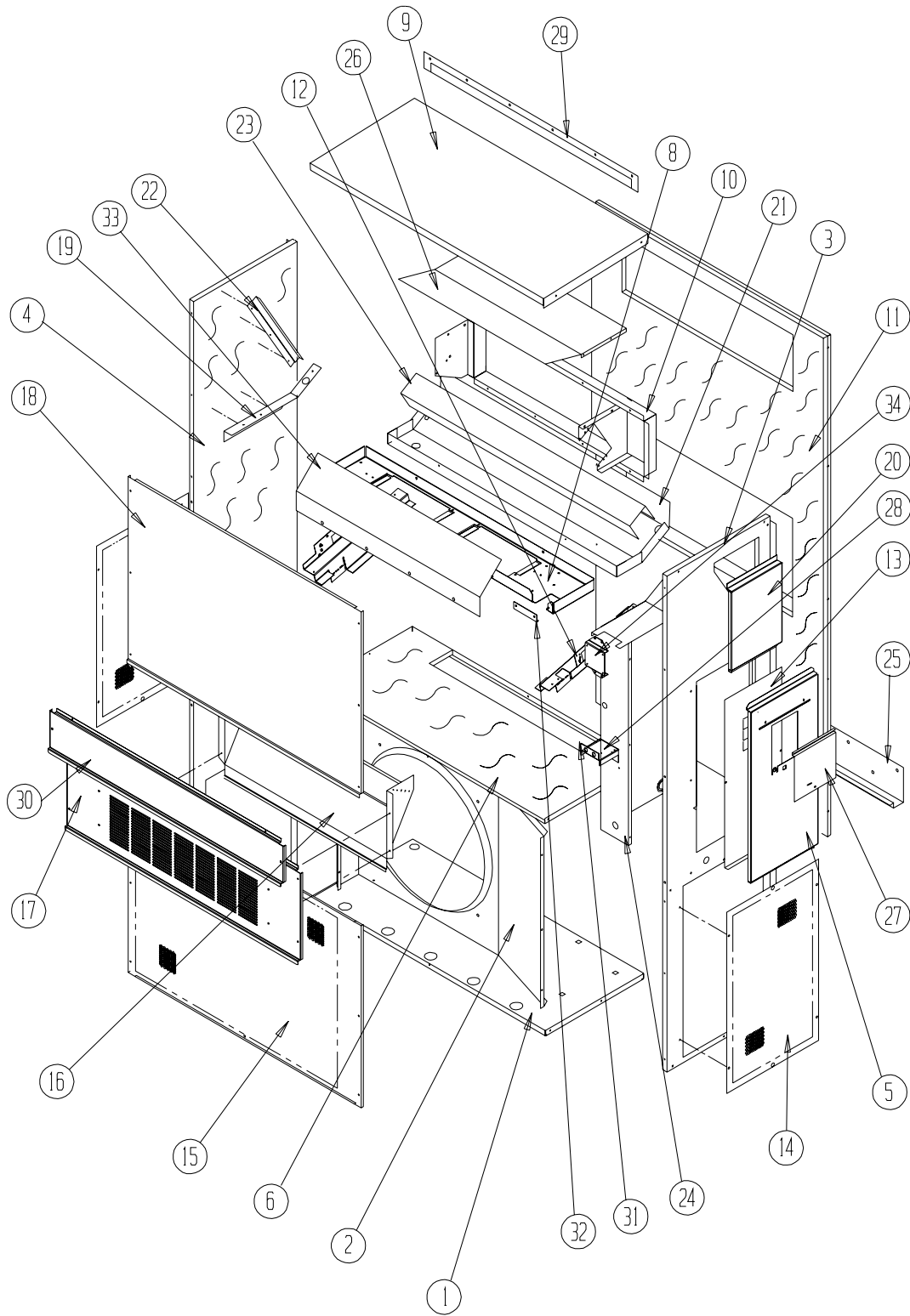


Bard Manufacturing Company, Inc.  
Bryan, Ohio 43506  
www.bardhvac.com

Manual: 2110-1521  
Supersedes: **NEW**  
Date: 6-24-15

*Climate Control Solutions*

# CABINET COMPONENTS - H24A4-A, H36A4-A



SEXP-783

This drawing to be used for reference for pages 3 and 4.

## CABINET COMPONENTS – H24A4-A

| Dwg No. | Part Number            | Description  |
|---------|------------------------|--|
| 1       | 127-467                | Lower Base   |
| 1       | 127-469 ②              | Lower Base   |
| 2       | 125-023                | Fan Shroud   |
| 2       | 125-056 ②              | Fan Shroud   |
| 3       | S501-684-* ①           | Right Side   |
| 3       | S501-720 ②             | Right Side   |
| 3       | S501-722 ③             | Right Side   |
| 4       | S501-711-* ①           | Left Side  |
| 4       | S501-721 ②             | Left Side  |
| 4       | S501-723 ③             | Left Side  |
| 5       | S533-228-* ①           | Control Panel Cover (Outer)                        |
| 5       | S533-235 ②             | Control Panel Cover (Outer)                        |
| 5       | S533-236 ③             | Control Panel Cover (Outer)                        |
| 6       | S521X528               | Condenser Partition                                |
| 8       | 121X480                | Blower Partition                                   |
| 9       | S507-311-* ①           | Top  |
| 9       | S507-317 ②             | Top  |
| 9       | S507-318 ③             | Top  |
| 10      | S111X032               | Outlet Air Frame Assembly                          |
| 11      | S508-097               | Back   |
| 11      | S508-220 ②             | Back   |
| 11      | S508-291 ③             | Back   |
| 12      | 113X480                | Filter Bracket (2 per unit)                        |
| 13      | S132-104               | Control Panel Cover (Inner)                        |
| 14      | 118-056-* ①            | Side Grille (2 per unit)                           |
| 14      | 118-067 ②              | Side Grille (2 per unit)                           |
| 14      | 118-060 ③              | Side Grille (2 per unit)                           |
| 15      | 118-050-* ①            | Condenser Grille                                   |
| 15      | 118-076 ②              | Condenser Grille                                   |
| 15      | 118-070 ③              | Condenser Grille                                   |
| 16      | BFAD-2                 | Fresh Air Damper Assembly                          |
| 17      | S553-537-* ①           | Vent Option Door                                   |
| 17      | S553-539-* ①           | Vent Option Door with ERV                          |
| 17      | S553-547 ②             | Vent Option Door                                   |
| 17      | S553-548 ③             | Vent Option Door                                   |
| 18      | S514-240-* ①           | Upper Front  |
| 18      | S514-236 ②             | Upper Front  |
| 18      | S514-237 ③             | Upper Front  |
| 19      | 105X850                | Side Support                                       |
| 20      | S543-175-* ①           | Right Side Cover Plate (Outer)                     |
| 20      | S543-185 ②             | Right Side Cover Plate (Outer)                     |
| 20      | S543-184 ③             | Right Side Cover Plate (Outer)                     |
| 21      | S123-126               | Drain Pan  |
| 21      | S123-140 ②             | Drain Pan  |
| 22      | 147-044                | Evaporator Support                                 |
| 23      | 137-694                | Bottom Evaporator Fill                             |
| 24      | Control Panel Assembly | See Control Panel Assy. Drawing & Parts List Assy. |
| 25      | 113-140                | Bottom Mounting Bracket                            |
| 26      | 135X127                | Heat Shield  |
| 27      | S153-218-* ①           | Disconnect Access Door                             |
| 27      | S153-405 ②             | Disconnect Access Door                             |
| 27      | S153-387 ③             | Disconnect Access Door                             |
| 28      | 113-606                | Light Reset Bracket                                |
| 29      | 113-141-* ①            | Top Rain Flashing                                  |
| 29      | 113-361 ②              | Top Rain Flashing                                  |
| 30      | S553-538-* ①           | Filter Door  |
| 30      | S553-551 ②             | Filter Door  |
| 30      | S553-552 ③             | Filter Door  |
| 31      | S536-176               | Cond. Partition Block Off Plate                    |
| 32      | 105-1302               | Grommet Retainer                                   |
| 34      | 113-586                | Pressure Switch Mounting Bracket                   |

① Exterior cabinet parts are manufactured with various paint color options. To ensure the proper paint color is received, reference the following codes:

Beige -X      Buckeye Gray -4      Dark Bronze -8  
White -1      Desert Brown -5

② Exterior cabinet parts are manufactured from stainless steel Code "S"

③ Exterior cabinet parts are manufactured from aluminum Code "A"

# CABINET COMPONENTS – H36A4-A

| Dwg No. | Part Number            | Description  |
|---------|------------------------|--|
| 1       | S127-471               | Lower Base   |
| 1       | S127-473 ②             | Lower Base   |
| 2       | 125-022                | Fan Shroud   |
| 2       | 125-057 ②              | Fan Shroud   |
| 3       | S501-684-* ①           | Right Side   |
| 3       | S501-720 ②             | Right Side   |
| 3       | S501-722 ③             | Right Side   |
| 4       | S501-711-* ①           | Left Side  |
| 4       | S501-721 ②             | Left Side  |
| 4       | S501-723 ③             | Left Side  |
| 5       | S533-228-* ①           | Control Panel Cover (Outer)                        |
| 5       | S533-235 ②             | Control Panel Cover (Outer)                        |
| 5       | S533-236 ③             | Control Panel Cover (Outer)                        |
| 6       | S521X527               | Condenser Partition                                |
| 8       | 121X467                | Blower Partition                                   |
| 9       | S507-308-* ①           | Top  |
| 9       | S507-319 ②             | Top  |
| 9       | S507-320 ③             | Top  |
| 10      | S111X030               | Outlet Air Frame Assembly                          |
| 11      | S508-088               | Back   |
| 11      | S508-222 ②             | Back   |
| 11      | S509-290 ③             | Back   |
| 12      | 113X480                | Filter Bracket (2 per unit)                        |
| 13      | S132-104               | Control Panel Cover (Inner)                        |
| 14      | 118-056-* ①            | Side Grille (2 per unit)                           |
| 14      | 118-067 ①              | Side Grille (2 per unit)                           |
| 14      | 118-060 ③              | Side Grille (2 per unit)                           |
| 15      | 118-059-* ①            | Condenser Grille                                   |
| 15      | 118-066 ①              | Condenser Grille                                   |
| 15      | 118-061 ③              | Condenser Grille                                   |
| 16      | BFAD-3                 | Fresh Air Damper Assembly                          |
| 17      | S553-523-* ①           | Vent Option Door                                   |
| 17      | S553-540-* ①           | Vent Option Door with ERV                          |
| 17      | S553-549 ②             | Vent Option Door                                   |
| 17      | S553-550 ③             | Vent Option Door                                   |
| 18      | S514-241-* ①           | Upper Front  |
| 18      | S514-238 ②             | Upper Front  |
| 18      | S514-239 ③             | Upper Front  |
| 19      | 105X850                | Side Support                                       |
| 20      | S543-175-* ①           | Right Side Cover Plate (Outer)                     |
| 20      | S543-185 ②             | Right Side Cover Plate (Outer)                     |
| 20      | S543-184 ③             | Right Side Cover Plate (Outer)                     |
| 21      | S123-127               | Drain Pan  |
| 21      | S123-141 ①             | Drain Pan  |
| 22      | 147-044                | Evaporator Support                                 |
| 23      | 137-685                | Bottom Evaporator Fill                             |
| 24      | Control Panel Assembly | See Control Panel Assy. Drawing & Parts List Assy. |
| 25      | 113-140                | Bottom Mounting Bracket                            |
| 26      | 135X123                | Heat Shield  |
| 27      | S153-218-* ①           | Disconnect Access Door                             |
| 27      | S153-405 ②             | Disconnect Access Door                             |
| 27      | S153-387 ③             | Disconnect Access Door                             |
| 28      | 113-606                | Light Reset Bracket                                |
| 29      | 113-149-* ①            | Top Rain Flashing                                  |
| 29      | 113-360 ②              | Top Rain Flashing                                  |
| 30      | S553-524-* ①           | Filter Door  |
| 30      | S553-553 ②             | Filter Door  |
| 30      | S553-554 ③             | Filter Door  |
| 31      | S536-498               | Cond. Partition Block Off Plate                    |
| 32      | 105-1302               | Grommet Retainer                                   |
| 33      | 135-329                | Air Baffle   |
| 34      | 113-586                | Pressure Switch Mounting Bracket                   |

① Exterior cabinet parts are manufactured with various paint color options. To ensure the proper paint color is received, reference the following codes:

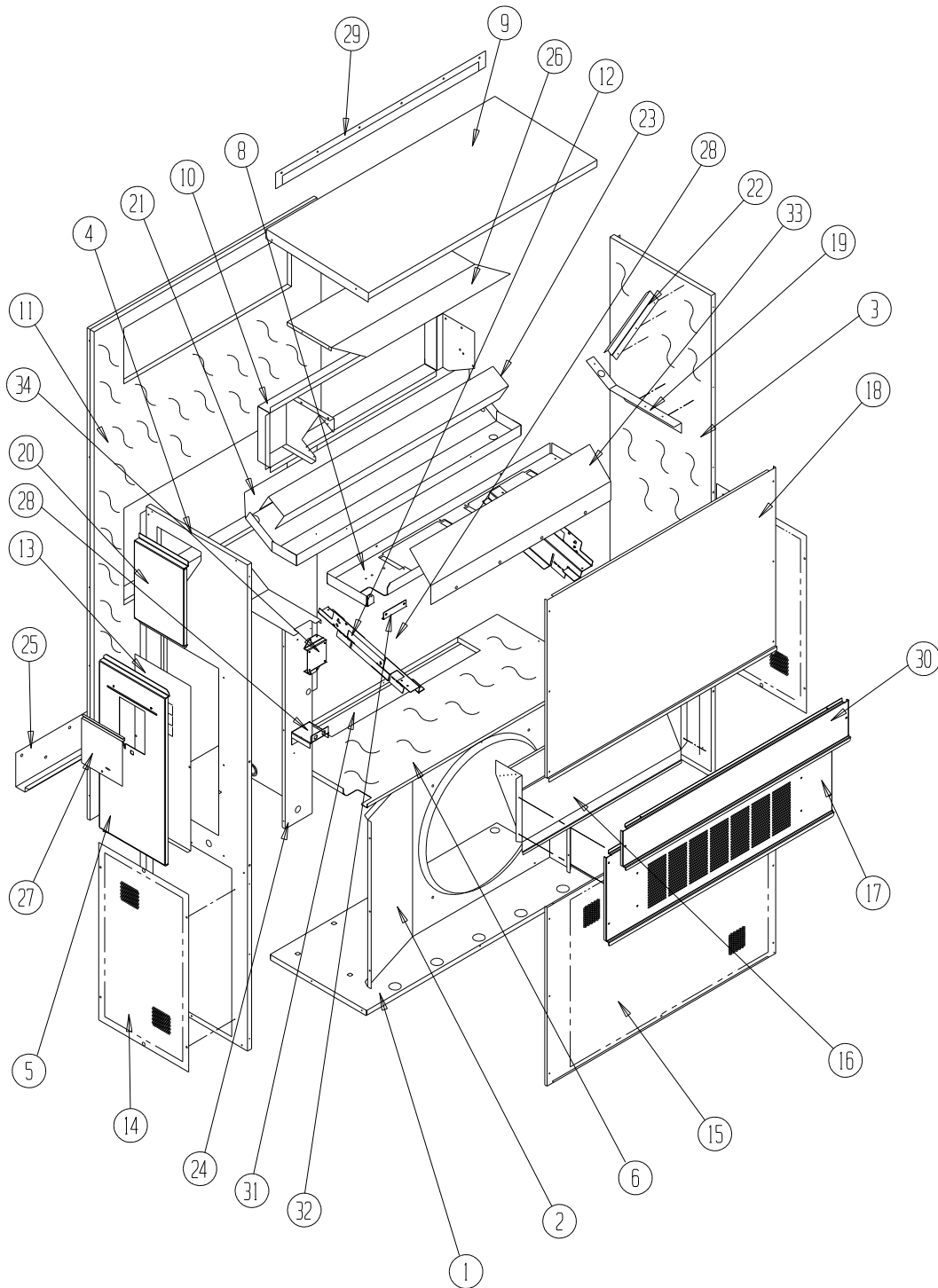
Beige -X    Buckeye Gray -4    Dark Bronze -8  
White -1    Desert Brown -5

② Exterior cabinet parts are manufactured from stainless steel Code "S"

③ Exterior cabinet parts are manufactured from aluminum Code "A"

***This page intentionally left blank.***

# CABINET COMPONENTS - H24L4-A, H36L4-A



SEXP-784

This drawing to be used for reference for pages 7 and 8.

## CABINET COMPONENTS – H24L4-A

| Dwg No. | Part Number            | Description  |
|---------|------------------------|--|
| 1       | S127-468               | Lower Base   |
| 1       | S127-470 ②             | Lower Base   |
| 2       | 125-023                | Fan Shroud   |
| 2       | 125-056 ②              | Fan Shroud   |
| 3       | S501-710-* ①           | Right Side   |
| 3       | S501-724 ②             | Right Side   |
| 3       | S501-726 ③             | Right Side   |
| 4       | S501-685-* ①           | Left Side  |
| 4       | S501-725 ②             | Left Side  |
| 4       | S501-727 ③             | Left Side  |
| 5       | S533-228-* ①           | Control Panel Cover (Outer)                        |
| 5       | S533-235 ②             | Control Panel Cover (Outer)                        |
| 5       | S533-236 ③             | Control Panel Cover (Outer)                        |
| 6       | S521Y528               | Condenser Partition                                |
| 8       | 121Y480                | Blower Partition                                   |
| 9       | S507-311-* ①           | Top  |
| 9       | S507-317 ②             | Top  |
| 9       | S507-318 ③             | Top  |
| 10      | S111Y032               | Outlet Air Frame Assembly                          |
| 11      | S508-097               | Back   |
| 11      | S508-220 ②             | Back   |
| 11      | S508-291 ③             | Back   |
| 12      | 113Y480                | Filter Bracket (2 per unit)                        |
| 13      | S132-104               | Control Panel Cover (Inner)                        |
| 14      | 118-056-* ①            | Side Grille (2 per unit)                           |
| 14      | 118-067 ②              | Side Grille (2 per unit)                           |
| 14      | 118-060 ③              | Side Grille (2 per unit)                           |
| 15      | 118-051-* ①            | Condenser Grille                                   |
| 15      | 118-077 ②              | Condenser Grille                                   |
| 15      | 118-062 ③              | Condenser Grille                                   |
| 16      | BFAD-2                 | Fresh Air Damper Assembly                          |
| 17      | S553-537-* ①           | Vent Option Door                                   |
| 17      | S553-547 ②             | Vent Option Door                                   |
| 17      | S553-548 ③             | Vent Option Door                                   |
| 18      | S514-240-* ①           | Upper Front  |
| 18      | S514-236 ②             | Upper Front  |
| 18      | S514-237 ③             | Upper Front  |
| 19      | 105Y850                | Side Support                                       |
| 20      | S543-175-* ①           | Right Side Cover Plate (Outer)                     |
| 20      | S543-185 ②             | Right Side Cover Plate (Outer)                     |
| 20      | S543-184 ③             | Right Side Cover Plate (Outer)                     |
| 21      | S123-131               | Drain Pan  |
| 21      | S123-142 ①             | Drain Pan  |
| 22      | 147-044                | Evaporator Support                                 |
| 23      | 137-694                | Bottom Evaporator Fill                             |
| 24      | Control Panel Assembly | See Control Panel Assy. Drawing & Parts List Assy. |
| 25      | 113-140                | Bottom Mounting Bracket                            |
| 26      | 135Y127                | Heat Shield  |
| 27      | S153-218-* ①           | Disconnect Access Door                             |
| 27      | S153-405 ②             | Disconnect Access Door                             |
| 27      | S153-387 ③             | Disconnect Access Door                             |
| 28      | 113-606                | Light Reset Bracket                                |
| 29      | 113-141-* ①            | Top Rain Flashing                                  |
| 29      | 113-361 ②              | Top Rain Flashing                                  |
| 30      | S553-538-* ①           | Filter Door  |
| 30      | S553-551 ②             | Filter Door  |
| 30      | S553-552 ③             | Filter Door  |
| 31      | S536-176               | Cond. Partition Block Off Plate                    |
| 32      | 105-1302               | Grommet Retainer                                   |
| 34      | 113-586                | Pressure Switch Mounting Bracket                   |

① Exterior cabinet parts are manufactured with various paint color options. To ensure the proper paint color is received, reference the following codes:

Beige -X      Buckeye Gray -4      Dark Bronze -8  
White -1      Desert Brown -5

② Exterior cabinet parts are manufactured from stainless steel Code "S"

③ Exterior cabinet parts are manufactured from aluminum Code "A"

# CABINET COMPONENTS – H36L4-A

| Dwg No. | Part Number            | Description  |
|---------|------------------------|--|
| 1       | S127-472               | Lower Base   |
| 1       | S127-474 ②             | Lower Base   |
| 2       | 125-022                | Fan Shroud   |
| 2       | 125-057 ②              | Fan Shroud   |
| 3       | S501-710-* ①           | Right Side   |
| 3       | S501-724 ②             | Right Side   |
| 3       | S501-726 ③             | Right Side   |
| 4       | S501-685-* ①           | Left Side  |
| 4       | S501-725 ②             | Left Side  |
| 4       | S501-727 ③             | Left Side  |
| 5       | S533-228-* ①           | Control Panel Cover (Outer)                        |
| 5       | S533-235 ②             | Control Panel Cover (Outer)                        |
| 5       | S533-236 ③             | Control Panel Cover (Outer)                        |
| 6       | S521Y527               | Condenser Partition                                |
| 8       | 121Y467                | Blower Partition                                   |
| 9       | S507-308-* ①           | Top  |
| 9       | S507-319 ②             | Top  |
| 9       | S507-320 ③             | Top  |
| 10      | S111Y030               | Outlet Air Frame Assembly                          |
| 11      | S508-088               | Back   |
| 11      | S508-222 ②             | Back   |
| 11      | S508-290 ③             | Back   |
| 12      | 113Y480                | Filter Bracket                                     |
| 13      | S132-104               | Control Panel Cover (Inner)                        |
| 14      | 118-056-* ①            | Side Grille  |
| 14      | 118-067 ②              | Side Grille  |
| 14      | 118-060 ③              | Side Grille  |
| 15      | 118-047-* ①            | Condenser Grille                                   |
| 15      | 118-075 ②              | Condenser Grille                                   |
| 15      | 118-062 ③              | Condenser Grille                                   |
| 16      | BFAD-3                 | Fresh Air Damper Assembly                          |
| 17      | S553-523-* ①           | Vent Option Door                                   |
| 17      | S553-549 ②             | Vent Option Door                                   |
| 17      | S553-550 ③             | Vent Option Door                                   |
| 18      | S514-241-* ①           | Upper Front  |
| 18      | S514-238 ②             | Upper Front  |
| 18      | S514-239 ③             | Upper Front  |
| 19      | 105Y850                | Side Support                                       |
| 20      | S543-175-* ①           | Right Side Cover Plate (Outer)                     |
| 20      | S543-185 ②             | Right Side Cover Plate (Outer)                     |
| 20      | S543-184 ③             | Right Side Cover Plate (Outer)                     |
| 21      | S123-130               | Drain Pan  |
| 21      | S123-143 ①             | Drain Pan  |
| 22      | 147-044                | Evaporator Support                                 |
| 23      | 137-685                | Bottom Evaporator Fill                             |
| 24      | Control Panel Assembly | See Control Panel Assy. Drawing & Parts List Assy. |
| 25      | 113-140                | Bottom Mounting Bracket                            |
| 26      | 135Y123                | Heat Shield  |
| 27      | S153-218-* ①           | Disconnect Access Door                             |
| 27      | S153-405 ②             | Disconnect Access Door                             |
| 27      | S153-387               | Disconnect Access Door                             |
| 28      | 113-606                | Light Reset Bracket                                |
| 29      | 113-149-* ①            | Top Rain Flashing                                  |
| 29      | 113-360 ②              | Top Rain Flashing                                  |
| 30      | S553-524-* ①           | Filter Door  |
| 30      | S553-553 ②             | Filter Door  |
| 30      | S553-554 ③             | Filter Door  |
| 31      | S536-498               | Cond. Partition Block Off Plate                    |
| 32      | 105-1302               | Grommet Retainer                                   |
| 33      | 135-329                | Air Baffle   |
| 34      | 113-586                | Pressure Switch Mounting Bracket                   |

① Exterior cabinet parts are manufactured with various paint color options. To ensure the proper paint color is received, reference the following codes:

Beige -X    Buckeye Gray -4    Dark Bronze -8  
White -1    Desert Brown -5

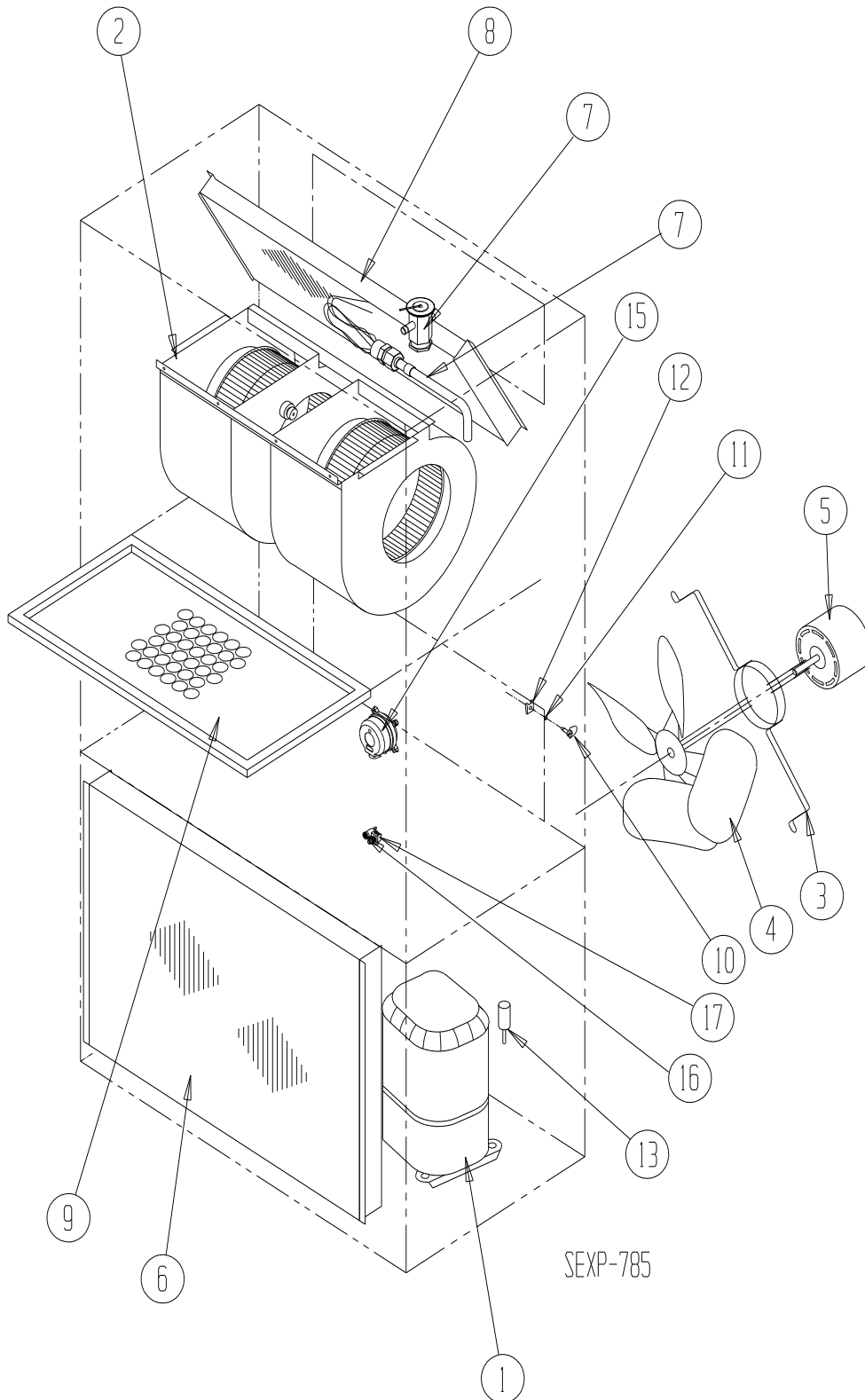
② Exterior cabinet parts are manufactured from stainless steel Code "S"

③ Exterior cabinet parts are manufactured from aluminum Code "A"



***This page intentionally left blank.***

# FUNCTIONAL COMPONENTS



# FUNCTIONAL COMPONENTS

## H24A4-A, H24L4-A

| Dwg No. | Part Number | Description                               |
|---------|-------------|---|
| 1       | 8000-314    | Compressor                                |
| 2       | S900-326    | Blower Assembly                           |
| 3       | 8200-001    | Fan Motor Mount                           |
| 4       | 5151-033    | Fan Blade                                 |
| 5       | 8103-016    | Condenser Motor                           |
| 6       | 5051-185BX  | Condenser Coil                            |
| 7       | 800-0428    | Distributor Assembly                      |
| 8       | 917-0220BX  | Evaporator Coil with Distributor Assembly |
| 9       | 7004-025    | Air Filter 2" Pleated                     |
| 10      | 1171-022    | 1/4" Turn Fastener                        |
| 11      | 1171-024    | 1/4" Turn Retainer                        |
| 12      | 1171-023    | 1/4" Receptacle                           |
| 13      | 1804-0462   | High Pressure Switch (Flare)              |
| 13      | 1804-0386   | Low Pressure Switch (Flare)               |
| 15      | 8301-057    | Filter Switch with Adjustments            |
| 16      | 8611-094    | Indicator Light                           |
| 17      | 910-1973    | Switch Wire Harness                       |
| NS      | CMA-28      | Low Ambient Control (Flare)               |
| NS      | 5201-021    | Filter Drier                              |
| NS      | 5204-001    | Subcooling Heat Exchanger                 |

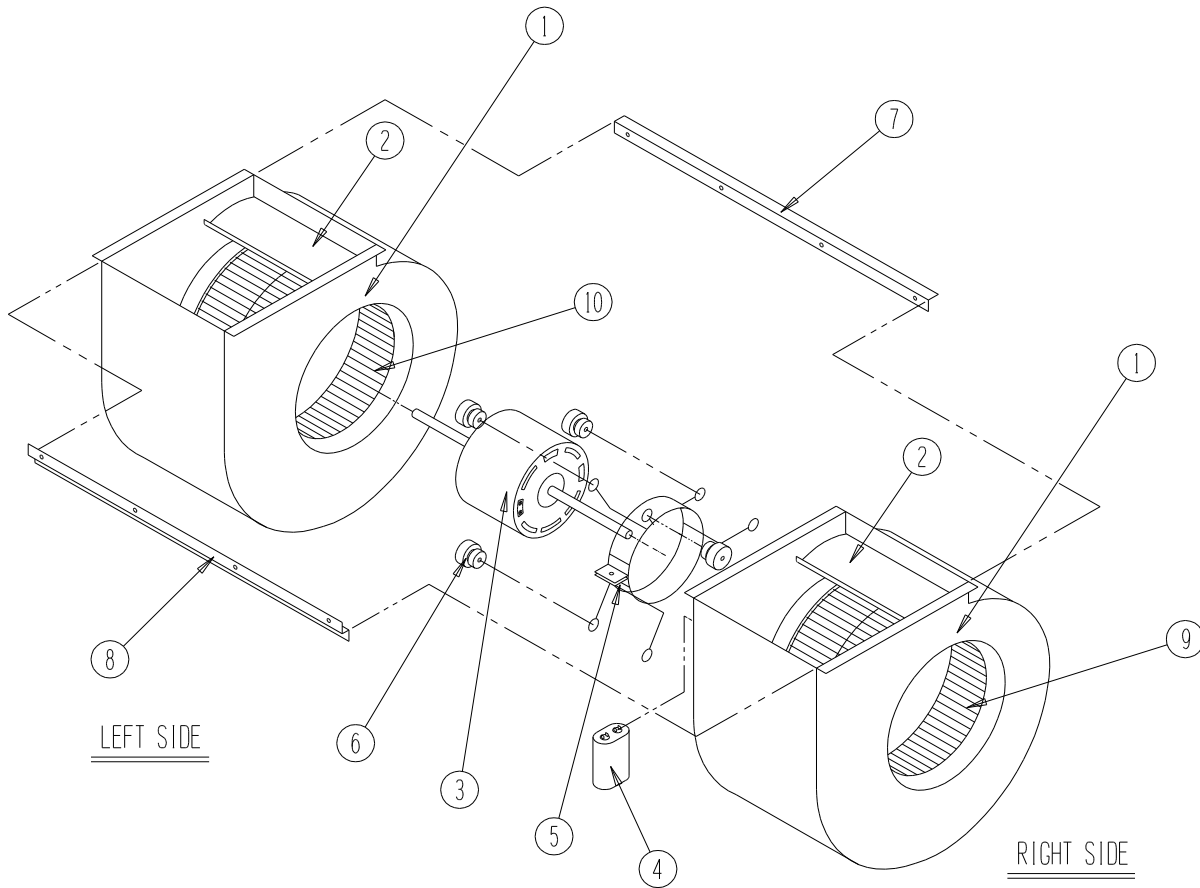
NS – Not Shown

## H36A4-A, H36L4-A

| Dwg No. | Part Number | Description                         |
|---------|-------------|-------------------------------------|
| 1       | 8000-309    | Compressor                          |
| 2       | S900-231    | Blower Assembly                     |
| 3       | 8200-001    | Fan Motor Mount                     |
| 4       | 5151-045    | Fan Blade                           |
| 5       | 8103-013    | Condenser Motor                     |
| 6       | 5051-182BX  | Condenser Coil                      |
| 7       | 800-0430    | Distributor Assembly                |
| 8       | 917-0224BX  | Evaporator Coil w/Distributor Assy. |
| 9       | 7004-026    | Air Filter 2" Pleated               |
| 10      | 1171-022    | 1/4" Turn Fastener                  |
| 11      | 1171-024    | 1/4" Turn Retainer                  |
| 12      | 1171-023    | 1/4" Receptacle                     |
| 13      | 1804-0462   | High Pressure Switch (Flare)        |
| NS      | 1804-0386   | Low Pressure Switch (Flare)         |
| 15      | 8301-057    | Filter Switch with Adjustments      |
| 16      | 8611-094    | Indicator Light                     |
| 17      | 910-1973    | Switch Wire Harness                 |
| NS      | CMA-28      | Low Ambient Control (Flare)         |
| NS      | 5201-021    | Filter Drier                        |

NS – Not Shown

# BLOWER ASSEMBLY



SEXP-346

**S900-326**  
**H24A4-A, H24L4-A**

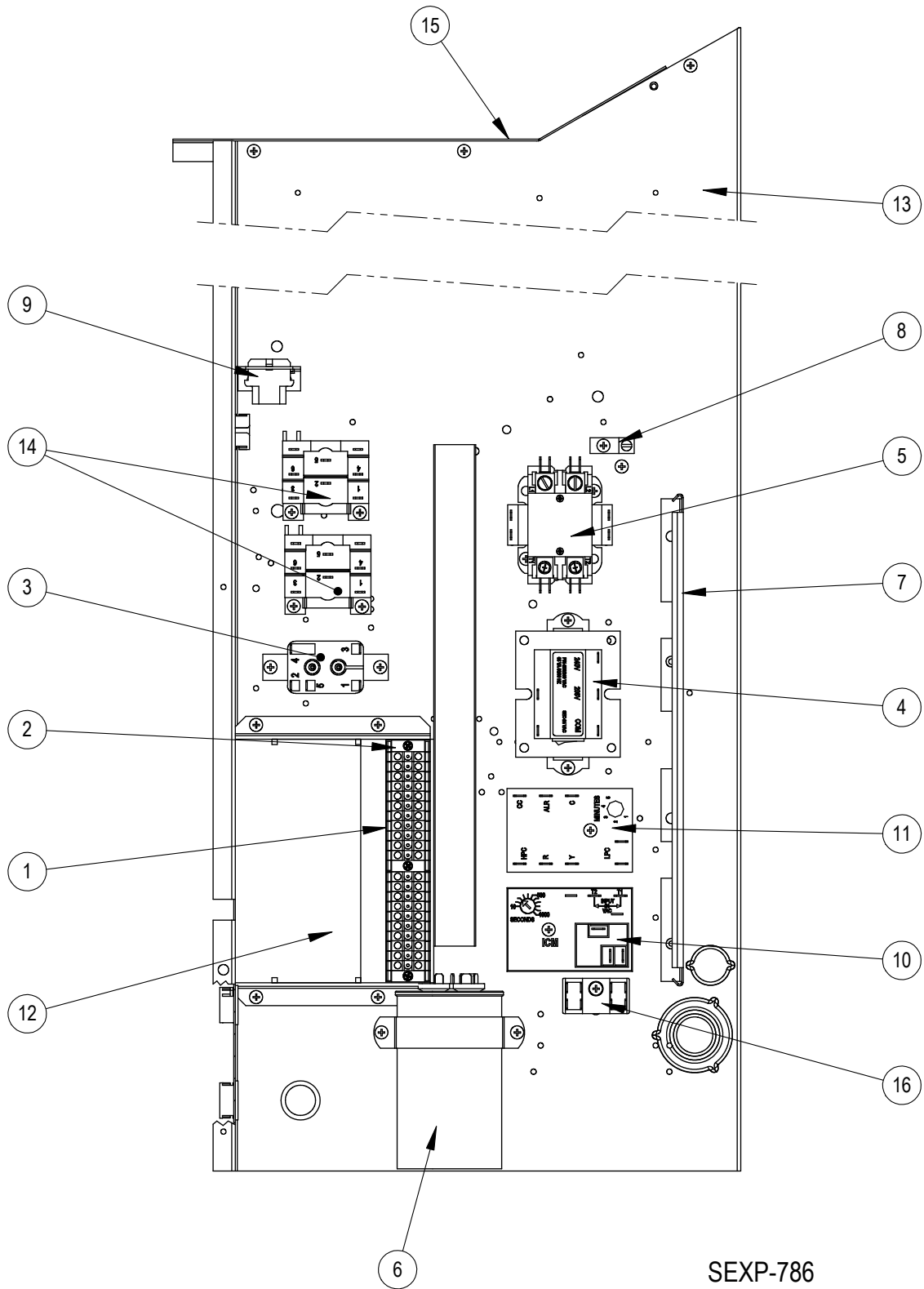
| Dwg No. | Part Number | Description            |
|---------|-------------|------------------------|
| 1       | 151-115     | Housing                |
| 2       | 144-183     | Cutoff                 |
| 3       | 8102-016    | Blower Motor (230/208) |
| 4       | 8552-004    | Capacitor              |
| 5       | 8200-031    | Motor Mount            |
| 6       | 5451-011    | Grommets               |
| 7       | 105-1061    | Back Brace             |
| 8       | 103-435     | Front Brace            |
| 9       | 5152-092    | Wheel 9-6 CW           |
| 10      | 5152-093    | Wheel 9-6 CCW          |

**S900-231**  
**H36A4-A, H36L4-A**

| Dwg No. | Part Number | Description            |
|---------|-------------|------------------------|
| 1       | 151-111     | Housing                |
| 2       | 144-174     | Diffuser               |
| 3       | 8105-029    | Blower Motor (230/208) |
| 4       | 8552-002    | Capacitor              |
| 5       | 8200-031    | Motor Mount            |
| 6       | 5451-011    | Grommets               |
| 7       | 105-870     | Back Brace             |
| 8       | 103-401     | Front Brace            |
| 9       | 5152-090    | Wheel CW               |
| 10      | 5152-091    | Wheel CCW              |

***This page intentionally left blank.***

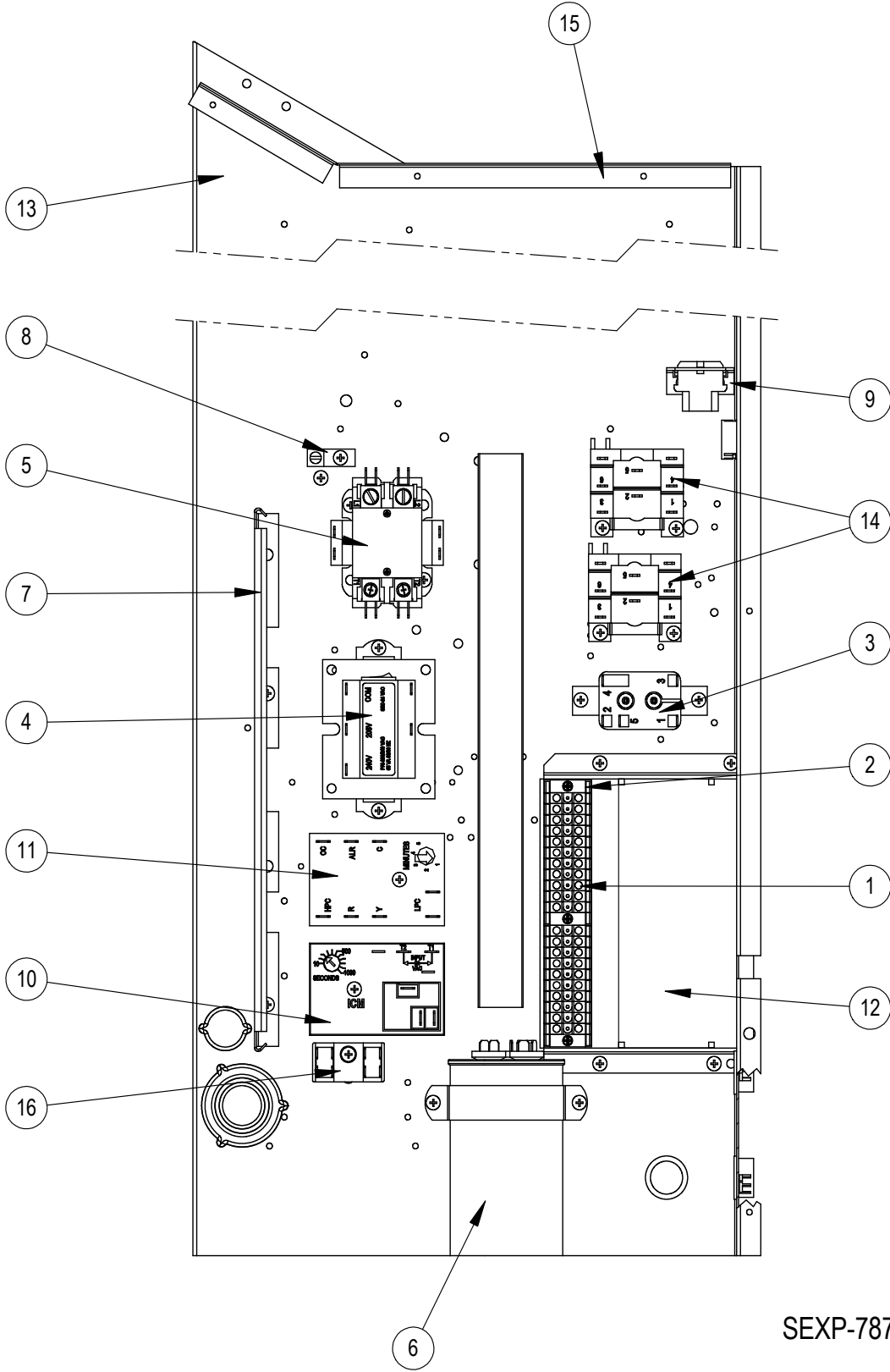
# CONTROL PANEL - H24A4-A, H36A4-A



SEXP-786

This drawing to be used for reference for page 16.

**CONTROL PANEL - H24L4-A, H36L4-A**



SEXP-787

This drawing to be used for reference for page 16.

## CONTROL PANEL – H24A4-A, H24L4-A, H36A4-A, H36L4-A

| Dwg No. | Part Number | Description                             |
|---------|-------------|---|
| 1       | 8607-046    | Terminal Block Section                  |
| 2       | 8607-047    | Terminal Strip Mount Section            |
| 3       | 8201-062    | Dirty Filter Relay                      |
| 4       | 8407-065    | Transformer                             |
| 5       | 8401-034    | Compressor Contactor                    |
| 6       | 8552-052    | Compressor Capacitor (H36A4-A, H36L4-A) |
| 6       | 8552-051    | Compressor Capacitor (H24A4-A, H24L4-A) |
| 7       | 135-122     | Wire Shield                             |
| 8       | 8611-006    | Ground Terminal                         |
| 9       | 3000-1529   | 6 Pin Connector                         |
| 10      | 8201-133    | Time Delay Relay                        |
| 11      | 8201-148    | Compressor Control Module               |
| 12      | 117X386     | Low Voltage Box (H24A4-A, H36A4-A)      |
| 12      | 117Y386     | Low Voltage Box (H24L4-A, H36L4-A)      |
| 13      | 117X123     | Control Panel (H24A4-A, H36A4-A)        |
| 13      | 117Y123     | Control Panel (H24L4-A, H36L4-A)        |
| 14      | 8201-086    | Indoor Blower Relay                     |
| 15      | 117X137     | Control Panel Top (H24A4-A, H36A4-A)    |
| 15      | 117Y137     | Control Panel Top (H24L4-A, H36L4-A)    |
| 16      | 8607-017    | Terminal Block                          |
| NS      | 8615-036    | Circuit Breaker 25A 2 Pole ①            |
| NS      | 8615-038    | Circuit Breaker 35A 2 Pole ①            |
| NS      | 3000-1516   | Vent Wire Assembly – 12 Terminal        |
| NS      | 3000-1276   | Compressor Plug Wire Assembly           |
| NS      | 4095-187    | Wiring Diagram                          |

NS = Not Shown

- ① Circuit breakers listed are for units without electric heat, “OZ” models. Hot gas bypass models not available without electric heat. See Heater Replacement Parts Manual for units with electric heat.

Refer to drawings on pages 14 and 15.