
REPLACEMENT PARTS MANUAL

WALL MOUNTED PACKAGE AIR CONDITIONER

Models:

H42AA-A H48AA-A H60AA-A H72AA-A
H42AA-B H48AA-B H60AA-B H72AA-B

Contents

<u>Description</u>	<u>Page</u>
Cabinet Components	
♦ Exploded View	2
♦ Usage List	3
♦ Usage List	4
Functional Components	
♦ Exploded View	6
♦ Usage List	7
Control Panel	
♦ Layout View	8
♦ Usage List	9
Blower Assembly	
♦ Exploded View	10
♦ Usage List	10
♦ Exploded View	11
♦ Usage List	11

General Notes

- Revised and/or additional pages may be issued from time to time.
- A complete and current manual consists of pages shown in the following contents section.

Important

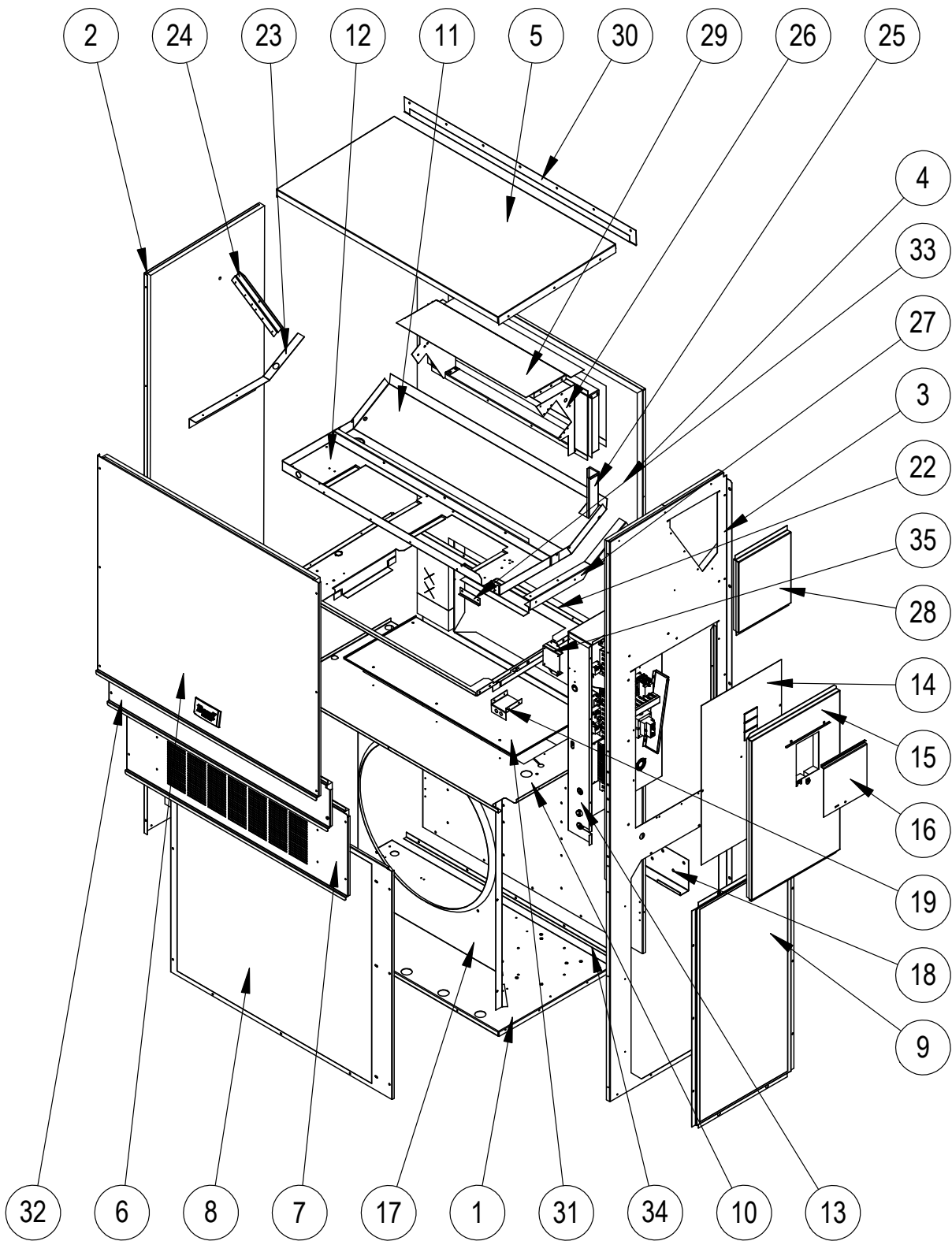
- Contact the installing and/or local Bard distributor for all parts requirements. Make sure to have the complete model and serial number available from the unit rating plates.



Bard Manufacturing Company, Inc.
Bryan, Ohio 43506
www.bardhvac.com

Manual: 2110-1523D
Supersedes: 2110-1523C
Date: 3-17-16

CABINET COMPONENTS



This drawing is referenced in tables on pages 3 and 4

SEXP-818

CABINET COMPONENTS

Dwg No.	Part Number	Description	H42AA-A	H42AA-B	H48AA-A	H48AA-B
1	127-425	Lower Base	X	X	X	X
1	127-430 ③	Lower Base	X	X	X	X
2	S501-686-* ①	Left Side	X	X	X	X
2	S501-699 ②	Left Side	X	X	X	X
2	S501-701 ③	Left Side	X	X	X	X
3	S501-840-* ①	Right Side	X	X	X	X
3	S501-924 ②	Right Side	X	X	X	X
3	S501-925 ③	Right Side	X	X	X	X
4	S508-098	Back	X	X	X	X
4	S508-275 ②	Back	X	X	X	X
4	S508-221 ③	Back	X	X	X	X
5	S507-307-* ①	Top	X	X	X	X
5	S507-309 ②	Top	X	X	X	X
5	S507-310 ③	Top	X	X	X	X
6	S515-230-* ①	Upper Front	X	X	X	X
6	S514-231 ②	Upper Front	X	X	X	X
6	S514-232 ③	Upper Front	X	X	X	X
7	S553-522-* ①	Vent Option Door	X	X	X	X
7	S553-525 ②	Vent Option Door	X	X	X	X
7	S553-527 ③	Vent Option Door	X	X	X	X
8	118-048-* ①	Condenser Grille	X	X	X	X
8	118-064 ②	Condenser Grille	X	X	X	X
8	118-072 ③	Condenser Grille	X	X	X	X
9	118-057-* ①	Side Grille	2	2	2	2
9	118-063 ②	Side Grille	2	2	2	2
9	118-073 ③	Side Grille	2	2	2	2
10	S521X503	Condenser Partition	X	X	X	X
11	S123-122	Drain Pan	X	X	X	X
11	S123-125 ②③	Drain Pan	X	X	X	X
12	121X463	Blower Partition	X	X	X	X
13	Control Panel Assy.	See Control Panel Assy. Drawing & Parts List	X	X	X	X
14	S132-277	Control Panel Cover (Inner)	X	X	X	X
15	S533-279-* ①	Control Panel Cover (Outer)	X	X	X	X
15	S533-273 ②	Control Panel Cover (Outer)	X	X	X	X
15	S533-274 ③	Control Panel Cover (Outer)	X	X	X	X
16	S153-218-* ①	Disconnect Access Door	X	X	X	X
16	S153-387 ②	Disconnect Access Door	X	X	X	X
16	S153-405 ③	Disconnect Access Door	X	X	X	X
17	125-024	Fan Shroud	X	X	X	X
17	125-058 ③	Fan Shroud	X	X	X	X
18	113-140	Bottom Mounting Bracket	X	X	X	X
19	113-600	Light Switch Bracket	X	X	X	X
22	131X099	Filter Tray	X	X	X	X
23	105X877	Left Side Support	X	X	X	X
24	147-046	Left Evaporator Support	X	X	X	X
25	135-377	Raceway	2	2	2	2
26	S111X034	Outlet Air Frame Assembly	X	X	X	X
27	105X878	Right Side Support	X	X	X	X
28	S543-172-* ①	Right Side Cover Plate (Outer)	X	X	X	X
28	S543-176 ②	Right Side Cover Plate (Outer)	X	X	X	X
28	S543-177 ③	Right Side Cover Plate (Outer)	X	X	X	X
29	135-129	Heat Shield	X	X	X	X
30	113-150-* ①	Top Rain Flashing	X	X	X	X
30	113-359 ③	Top Rain Flashing	X	X	X	X
31	S537-731	Cond. Partition Block Off Plate	X	X	X	X
32	S553-521-* ①	Filter Door Assembly	X	X	X	X
32	S553-526 ②	Filter Door Assembly	X	X	X	X
32	S553-528 ③	Filter Door Assembly	X	X	X	X
33	105-1302	Grommet Retainer	X	X	X	X
34	105-1324	Close Off Angle	X	X	X	X
35	113-586	Switch Mounting Bracket	X	X	X	X

① Exterior cabinet parts are manufactured with various paint color options. To ensure the proper paint color is received, include the complete model and serial number of the unit for which cabinet parts are being ordered.

② Exterior cabinet parts are manufactured from aluminum Code "A"

③ Exterior cabinet parts are manufactured from stainless steel Code "S"

CABINET COMPONENTS

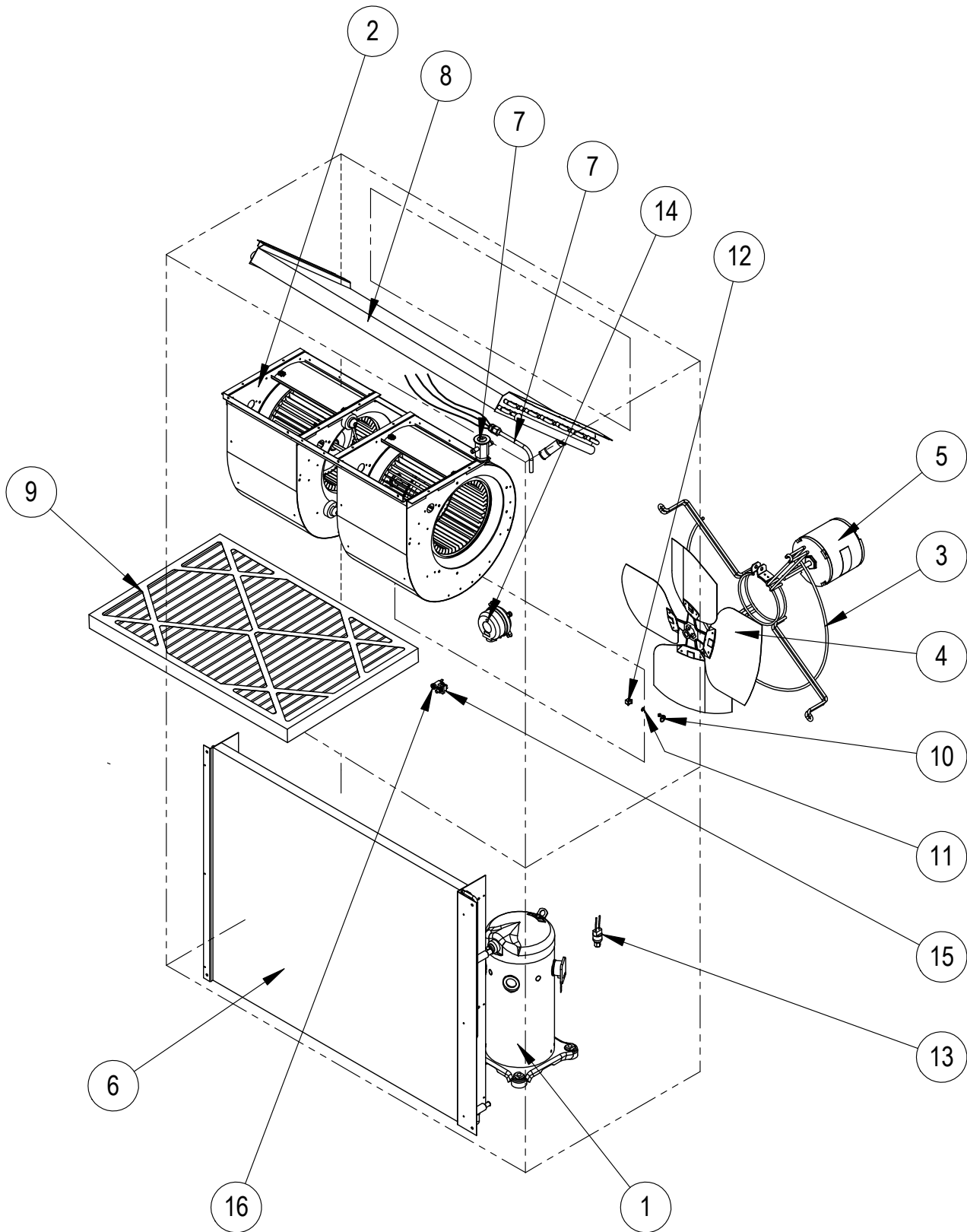
Dwg No.	Part Number	Description	H60AA-A	H60AA-B	H72AA-A	H72AA-B
1	127-425	Lower Base	X	X	X	X
1	127-430 ③	Lower Base	X	X	X	X
2	S501-733-* ①	Left Side	X	X	X	X
2	S501-828 ②	Left Side	X	X	X	X
2	S501-735 ③	Left Side	X	X	X	X
3	S501-841-* ①	Right Side	X	X	X	X
3	S501-928 ②	Right Side	X	X	X	X
3	S501-929 ③	Right Side	X	X	X	X
4	S508-251	Back	X	X	X	X
4	S508-252 ②	Back	X	X	X	X
4	S508-253 ③	Back	X	X	X	X
5	S507-307-* ①	Top	X	X	X	X
5	S507-309 ②	Top	X	X	X	X
5	S507-310 ③	Top	X	X	X	X
6	S515-246-* ①	Upper Front	X	X	X	X
6	S514-280 ②	Upper Front	X	X	X	X
6	S514-253 ③	Upper Front	X	X	X	X
7	S553-522-* ①	Vent Option Door	X	X	X	X
7	S553-525 ②	Vent Option Door	X	X	X	X
7	S553-527 ③	Vent Option Door	X	X	X	X
8	118-085-* ①	Condenser Grille	X	X	X	X
8	118-087 ②	Condenser Grille	X	X	X	X
8	118-089 ③	Condenser Grille	X	X	X	X
9	118-086-* ①	Side Grille	2	2	2	2
9	118-088 ②	Side Grille	2	2	2	2
9	118-090 ③	Side Grille	2	2	2	2
10	S521X503	Condenser Partition	X	X	X	X
11	S123-122	Drain Pan	X	X	X	X
11	S123-125 ②③	Drain Pan	X	X	X	X
12	121X463	Blower Partition	X	X	X	X
13	Control Panel Assy.	See Control Panel Assy. Drawing & Parts List	X	X	X	X
14	S132-277	Control Panel Cover (Inner)	X	X	X	X
15	S533-279-* ①	Control Panel Cover (Outer)	X	X	X	X
15	S533-273 ②	Control Panel Cover (Outer)	X	X	X	X
15	S533-274 ③	Control Panel Cover (Outer)	X	X	X	X
16	S153-218-* ①	Disconnect Access Door	X	X	X	X
16	S153-387 ②	Disconnect Access Door	X	X	X	X
16	S153-405 ③	Disconnect Access Door	X	X	X	X
17	125-070	Fan Shroud	X		X	
17	125-079 ③	Fan Shroud	X	X	X	X
17	125-084	Fan Shroud		X		X
18	113-140	Bottom Mounting Bracket	X	X	X	X
19	113-600	Light Switch Bracket	X	X	X	X
22	131X099	Filter Tray	X	X	X	X
23	105X877	Left Side Support	X	X	X	X
24	147-046	Left Evaporator Support	X	X	X	X
25	135-377	Raceway	2	2	2	2
26	S111X034	Outlet Air Frame Assembly	X	X	X	X
27	105X878	Right Side Support	X	X	X	X
28	S543-172-* ①	Right Side Cover Plate (Outer)	X	X	X	X
28	S543-176 ②	Right Side Cover Plate (Outer)	X	X	X	X
28	S543-177 ③	Right Side Cover Plate (Outer)	X	X	X	X
29	135-129	Heat Shield	X	X	X	X
30	113-150-* ①	Top Rain Flashing	X	X	X	X
30	113-359 ③	Top Rain Flashing	X	X	X	X
31	S537-731	Cond. Partition Block Off Plate	X	X	X	X
32	S553-521-* ①	Filter Door Assembly	X	X	X	X
32	S553-526 ②	Filter Door Assembly	X	X	X	X
32	S553-528 ③	Filter Door Assembly	X	X	X	X
33	105-1302	Grommet Retainer	X	X	X	X
34	105-1324	Close Off Angle	X	X	X	X
35	113-586	Filter Switch Bracket	X	X	X	X

- ① Exterior cabinet parts are manufactured with various paint color options. To ensure the proper paint color is received, include the complete model and serial number of the unit for which cabinet parts are being ordered.
- ② Exterior cabinet parts are manufactured from aluminum Code "A"
- ③ Exterior cabinet parts are manufactured from stainless steel Code "S"

This table references drawing on page 2

This page intentionally left blank

FUNCTIONAL COMPONENTS



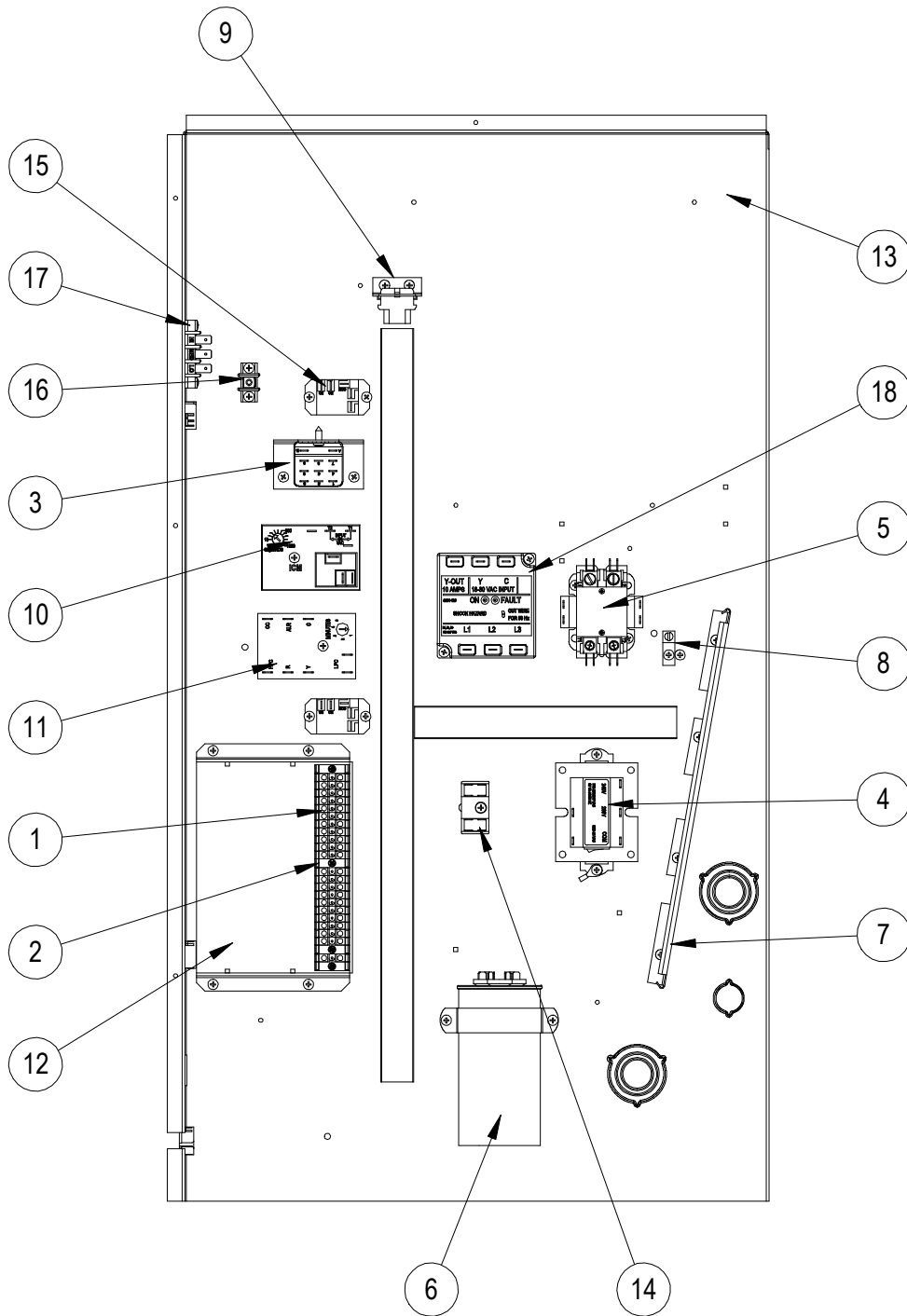
SEXP-819

FUNCTIONAL COMPONENTS

Dwg No.	Part Number	Description	H42AA-A	H42AA-B	H48AA-A	H48AA-B	H60AA-A	H60AA-B	H72AA-A	H72AA-B
1	8000-349	Compressor	X							
1	8000-350	Compressor		X						
1	8000-343	Compressor			X					
1	8000-344	Compressor				X				
1	8000-415	Compressor					X			
1	8000-416	Compressor						X		
1	8000-403	Compressor							X	
1	8000-404	Compressor								X
2	S900-320	Blower Assembly	X	X	X	X				
2	S900-185	Blower Assembly					X	X		
2	S900-348-001	Blower Assembly							X	X
3	8200-004	Fan Motor Mount	X	X	X	X	X	X		
3	8200-049	Fan Motor Mount							X	X
4	5151-060	Fan Blade	X	X	X	X	X	X		
4	5151-062	Fan Blade							X	X
5	8105-066	Condenser Motor	X	X	X	X	X	X		
5	8106-016	Condenser Motor							X	X
6	5051-200BX	Condenser Coil	X	X						
6	5054-200BX	Condenser Coil - Coated	X	X						
6	5051-199BX	Condenser Coil			X	X				
6	5054-199BX	Condenser Coil - Coated			X	X				
6	5051-198BX	Condenser Coil					X	X		
6	5054-198BX	Condenser Coil - Coated					X	X		
6	5051-197BX	Condenser Coil							X	X
6	5054-197BX	Condenser Coil - Coated							X	X
7	800-0452	Distributor Assembly	X	X						
7	800-0451	Distributor Assembly			X	X				
7	800-0453	Distributor Assembly					X	X		
7	800-0454	Distributor Assembly							X	X
8	917-0255BX	Evaporator Coil	X	X						
8	917-0265BX	Evaporator Coil - Coated	X	X						
8	917-0256BX	Evaporator Coil			X	X				
8	917-0266BX	Evaporator Coil - Coated			X	X				
8	917-0257BX	Evaporator Coil					X	X		
8	917-0268BX	Evaporator Coil - Coated					X	X		
8	917-0258BX	Evaporator Coil							X	X
8	917-0269BX	Evaporator Coil - Coated							X	X
9	7004-027	Air Filter 2" Pleated (20x30x2)	X	X	X	X	X	X	X	X
10	1171-022	1/4 Turn Fastener	X	X	X	X	X	X	X	X
11	1171-024	1/4 Turn Retainer	X	X	X	X	X	X	X	X
12	1171-023	1/4 Receptacle	X	X	X	X	X	X	X	X
13	8406-142	High Pressure Switch	X	X	X	X	X	X	X	X
13	8406-140	Low Pressure Switch	X	X	X	X	X	X	X	X
14	8301-057	Filter Switch w/Adjustment	X	X	X	X	X	X	X	X
15	3000-1538	Switch Wire Harness	X	X	X	X	X	X	X	X
16	8611-094	Indicator Light	X	X	X	X	X	X	X	X
NS	5201-022	Filter Drier	X	X	X	X	X	X	X	X
NS	CMA-28	Low Ambient Control (Flare)	X	X	X	X	X	X	X	X
NS	5451-024	Tubing Isolation Grommet	2	2	2	2	2	2	2	2
NS	6031-009	Coremax Valve Core	2	2	2	2	2	2	2	2
NS	8620-113	Compressor Crankcase Heater					X	X		
NS	1171-028	Filter Door Clip	2	2	2	2	2	2	2	2
NS	1171-057	Filter Door Screw	2	2	2	2	2	2	2	2
NS	1171-027	Filter Door Screw Retainer	2	2	2	2	2	2	2	2

NS – Not Shown

CONTROL PANEL



SEXP-820 B

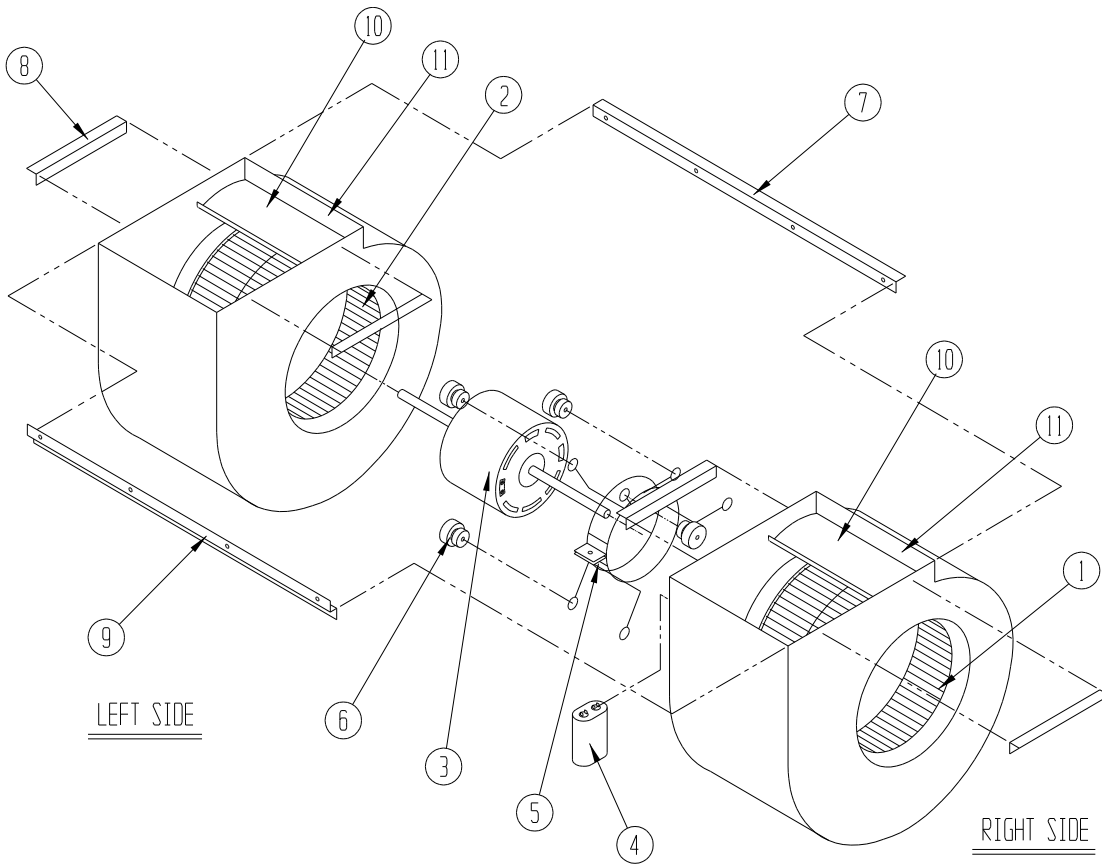
CONTROL PANEL

Dwg No.	Part Number	Description	H42AA-A	H42AA-B	H48AA-A	H48AA-B	H60AA-A	H60AA-B	H72AA-A	H72AA-B
1	8607-046	Terminal Block Section	X	X	X	X	X	X	X	X
2	8607-047	Terminal Strip Mount Section	X	X	X	X	X	X	X	X
3	8201-048	Dirty Filter Relay	X	X	X	X	X	X	X	X
4	8407-065	Transformer	X	X	X	X	X	X	X	X
5	8401-035	Compressor Contactor		X		X		X		X
5	8401-034	Compressor Contactor	X		X		X		X	
6	8552-005	Compressor Capacitor		X		X		X		X
6	8552-079	Compressor Capacitor	X							
6	8552-089	Compressor Capacitor			X					
6	8552-059	Compressor Capacitor					X			
6	8552-097	Compressor Capacitor							X	
7	135-122	Wire Shield	X	X	X	X	X	X	X	X
8	8611-006	Ground Terminal	X	X	X	X	X	X	X	X
9	3000-1536	6 Pin Connector	X		X		X			
9	3000-1542	6 Pin Connector		X		X		X		
9	3000-1547	6 Pin Connector								X
9	3000-1548	6 Pin Connector								X
10	8201-133	Time Delay Relay	X	X	X	X	X	X	X	X
11	8201-157	Compressor Control Module	X	X	X	X	X	X	X	X
12	117-383	Low Voltage Riser	X	X	X	X	X	X	X	X
13	117X388	Control Panel	X	X	X	X	X	X	X	X
14	8607-017	Terminal Block	X	X	X	X	X	X	X	X
15	8201-130	Indoor Blower Relay	X	X	X	X	X	X	X	X
16	8607-041	Park Terminal	X	X	X	X	X			
17	8607-042	Blower Speed Terminal							X	X
18	8201-126	Phase Monitor (3 Phase Only)		X		X		X		X
NS	8615-040	Circuit Breaker 50A 2 Pole ①	X	X	X	X		X	X	X
NS	8615-041	Circuit Breaker 60A 2 Pole ①					X	X	X	X
NS	4095-191	Wiring Diagram	X		X		X			
NS	4095-291	Wiring Diagram		X		X		X		
NS	4095-192	Wiring Diagram							X	
NS	4095-292	Wiring Diagram								X
NS	3000-1222	Compressor Plug Wire Assembly	X	X	X	X		X		
NS	3000-1508	Compressor Plug Wire Assembly					X	X		
NS	3000-1510	Compressor Plug Wire Assembly							X	X
NS	3000-1516	Vent Wire Assembly – 12 Terminal	X	X	X	X	X	X	X	X

① Circuit breakers listed are for units without electric heat "OZ" models. See heater replacement parts manual for units with electric heat.

NS – Not shown

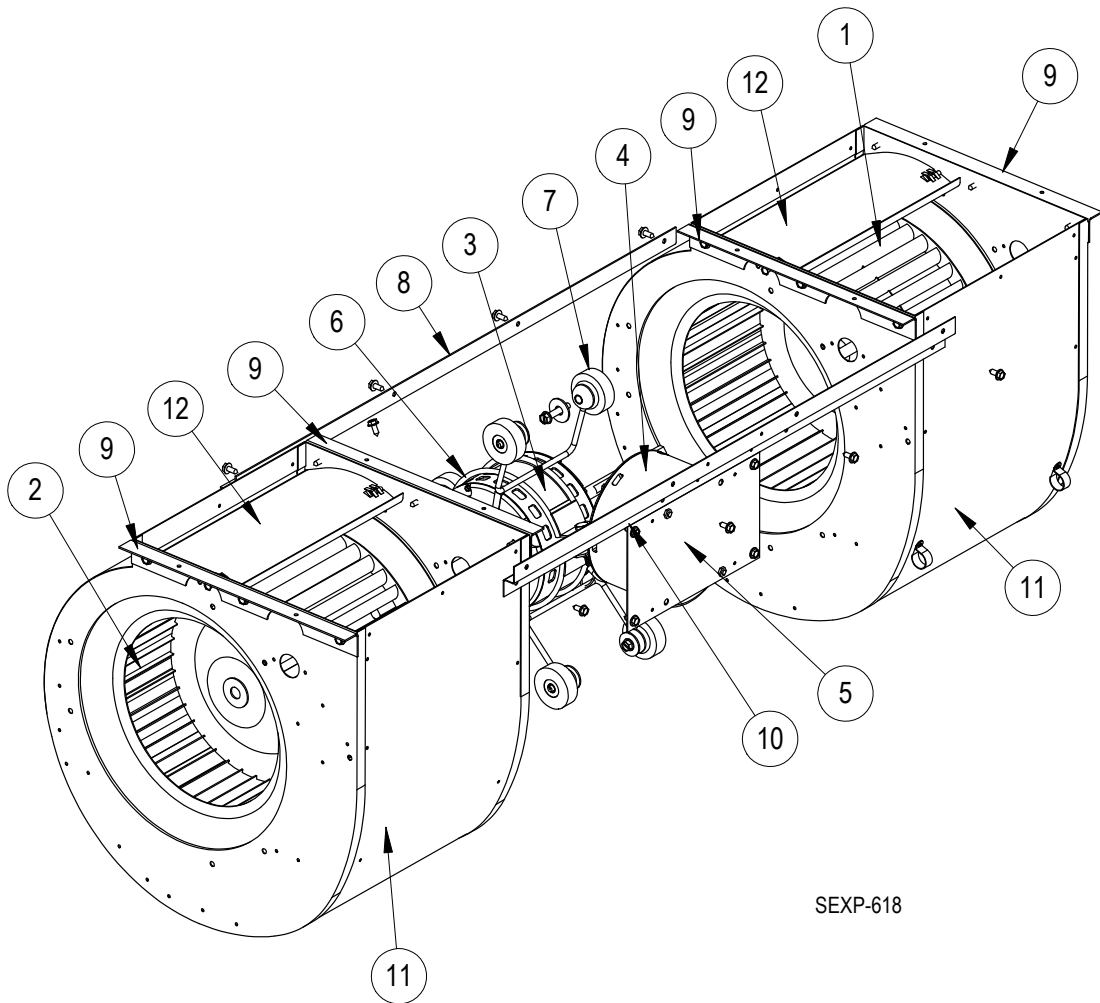
BLOWER ASSEMBLY



SEXP-178

Dwg No.	Part Number	Description	S900-320	S900-185
1	5152-011	10 Inch Wheel (CW)		X
1	5152-057	9 Inch Wheel (CW)	X	
2	5152-012	10 Inch Wheel (CW)		X
2	5152-058	9 Inch Wheel (CW)	X	
3	8105-061	Blower Motor (230/208)	X	
3	8106-046	Blower Motor (230/208)		X
4	8552-091	Capacitor	X	X
5	8200-040	Motor Mount	X	X
6	5451-011	Grommets	6	6
7	105-881	Back Brace	X	X
8	105-880	Side Angle	4	4
9	103-389	Front Brace	X	X
10	151-101	Housing	2	2
11	144-166	Diffuser	2	2

BLOWER ASSEMBLY



SEXP-618

S900-348-001

Dwg. No.	Part Number	Description	
1	5152-011	10-Inch Wheel (CW)	X
2	5152-012	10-Inch Wheel (CCW)	X
3	8107-019-0135	3/4 HP Programmed Motor w/Control	X
5	112-580	Blower Motor Control Bracket	X
6	8200-040	Motor Mount	X
7	5451-011	Grommets	6
8	105-881	Back Brace	X
9	105-880	Side Angle	4
10	103-389	Front Brace	X
11	151-101	Housing	2
12	144-166	Diffuser	2