
REPLACEMENT PARTS MANUAL

ECONOMIZER

Models:

EWM1-E EWM1-T

General Notes

- Revised and/or additional pages may be issued from time to time.
- A complete and current manual consists of pages shown in the following contents section.

Important

- Contact the installing and/or local Bard distributor for all parts requirements. Make sure to have the complete model and serial number available from the unit rating plates.

Contents

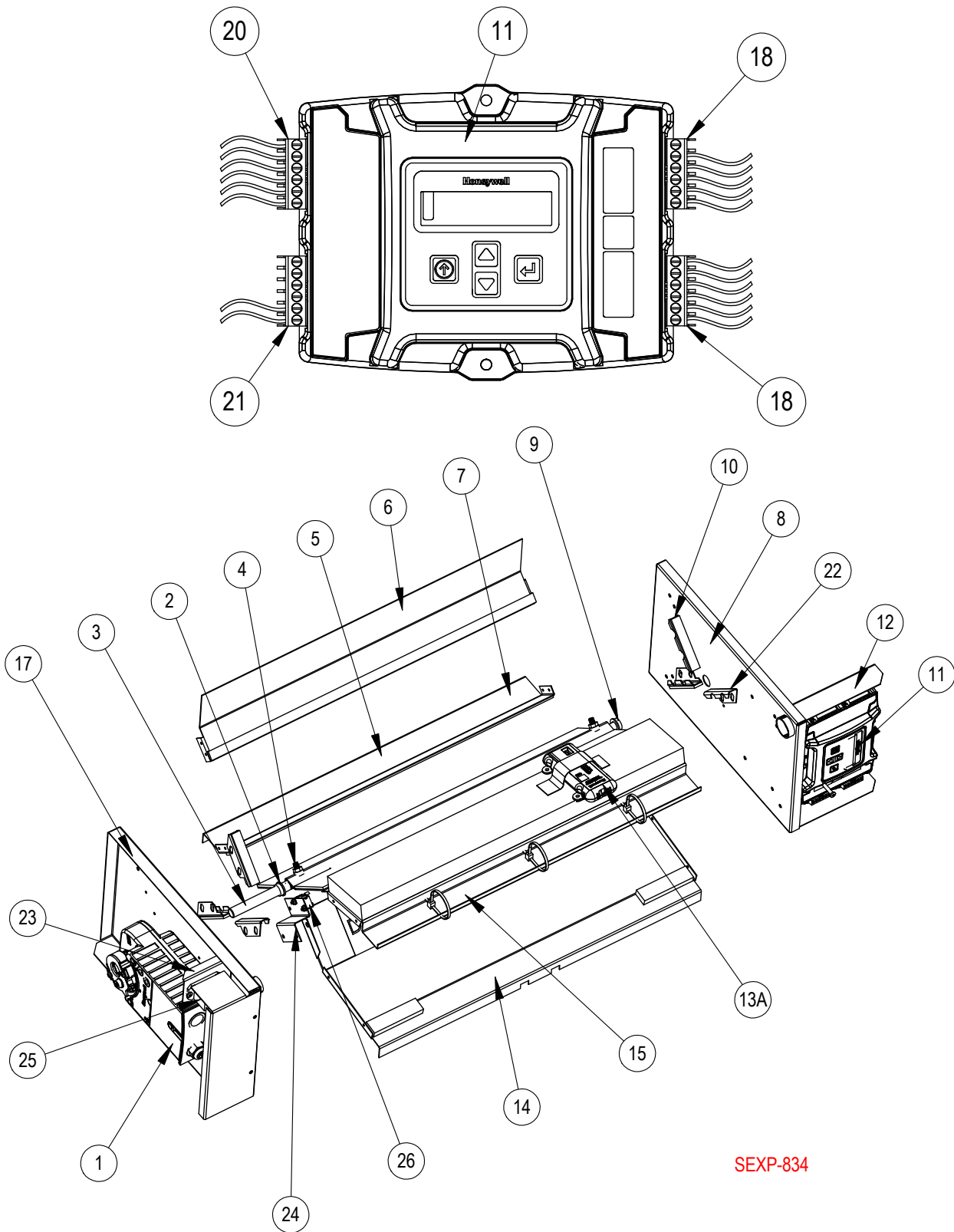
<u>Description</u>	<u>Page</u>
Economizer and Control	
♦ Exploded View.....	2
♦ Usage List	3



Bard Manufacturing Company, Inc.
Bryan, Ohio 43506
www.bardhvac.com

Manual: 2110-1526
Supersedes: **NEW**
Date: 10-12-15

ECONOMIZER AND CONTROL



SEXP-834

ECONOMIZER AND CONTROL

Drawing No.	Part No.	Description	EWMI-E	EWMI-T
1	8602-059	Direct Coupled Actuator	X	X
2	8602-052	1/2" I.D. Bronze Bushing	X	X
3	8602-060	Drive Pin 1/2"	X	X
4	8602-038	Damper Pin with Hardware	2	2
5	S139-269	Damper Blade	X	X
6	105-1345	Rear Upper Partition	2	2
7	137-637	Rear Lower Partition	2	2
8	S101-875	Right Side	X	X
9	8602-039	Bronze Bushing	X	X
10	S105Y1254	Left Economizer Angle	3	3
11	S8602-056-0003A	Economizer Module - Programmed	X	X
12	137-780	Right Fill Plate	X	X
14	127-415	Lower Partition/Base	X	X
15	137-779	Upper Partition	X	X
16	136-778	Left Fill Plate	X	X
17	S101-874	Left Side	X	X
18	3000-1490	Wire Harness	X	X
20	3000-1492	Wire Harness	X	X
21	3000-1435	Wire Harness	X	X
22	S105X1254	Right Economizer Angle	3	3
23	113-591	Relay Bracket	X	X
24	103-522	Switch Bracket Offset	X	X
25	8201-130	Relay	X	X
26	8406-138	Lever Switch	X	X
NS	8602-063	Enthalpy Sensor - Outdoor Air	X	
NS	8602-058	Temperature Sensor - Mixed Air		X
NS	7003-068	Mist Eliminator	X	X
NS	4056-229	Wiring Diagram	X	
NS	4056-230	Wiring Diagram		X