

---

# REPLACEMENT PARTS MANUAL

---

## WALL-MOUNTED PACKAGED HEAT PUMP

**NOTICE**  
Document contains  
Sticky Notes – Open with  
Acrobat Reader DC  
or later.

Models:

W42HA-A W42HADA W48HA-A W48HADA W60HA-A W60HADA  
W42HA-B W42HADB W48HA-B W48HADB W60HA-B W60HADB  
W42HA-C W42HADC W48HA-C W48HADC W60HA-C W60HADC

---

### Contents

Description	Page	Description	Page
Cabinet Components		Blower Assembly	
♦ Exploded View .....	2	♦ Exploded View .....	14
♦ Usage List .....	3	♦ Usage List .....	14
♦ Usage List .....	4	♦ Exploded View .....	15
Functional Components – Standard Units		♦ Usage List .....	15
♦ Exploded View .....	6		
♦ Usage List .....	7		
Functional Components – Dehumidification Units			
♦ Exploded View .....	8		
♦ Usage List .....	9		
Control Panel – A Voltage Models			
♦ Layout View .....	10		
♦ Usage List .....	11		
Control Panel – B and C Voltage Models			
♦ Layout View .....	12		
♦ Usage List .....	13		

### General Notes

- Revised and/or additional pages may be issued from time to time.
- A complete and current manual consists of pages shown in the following contents section.

### Important

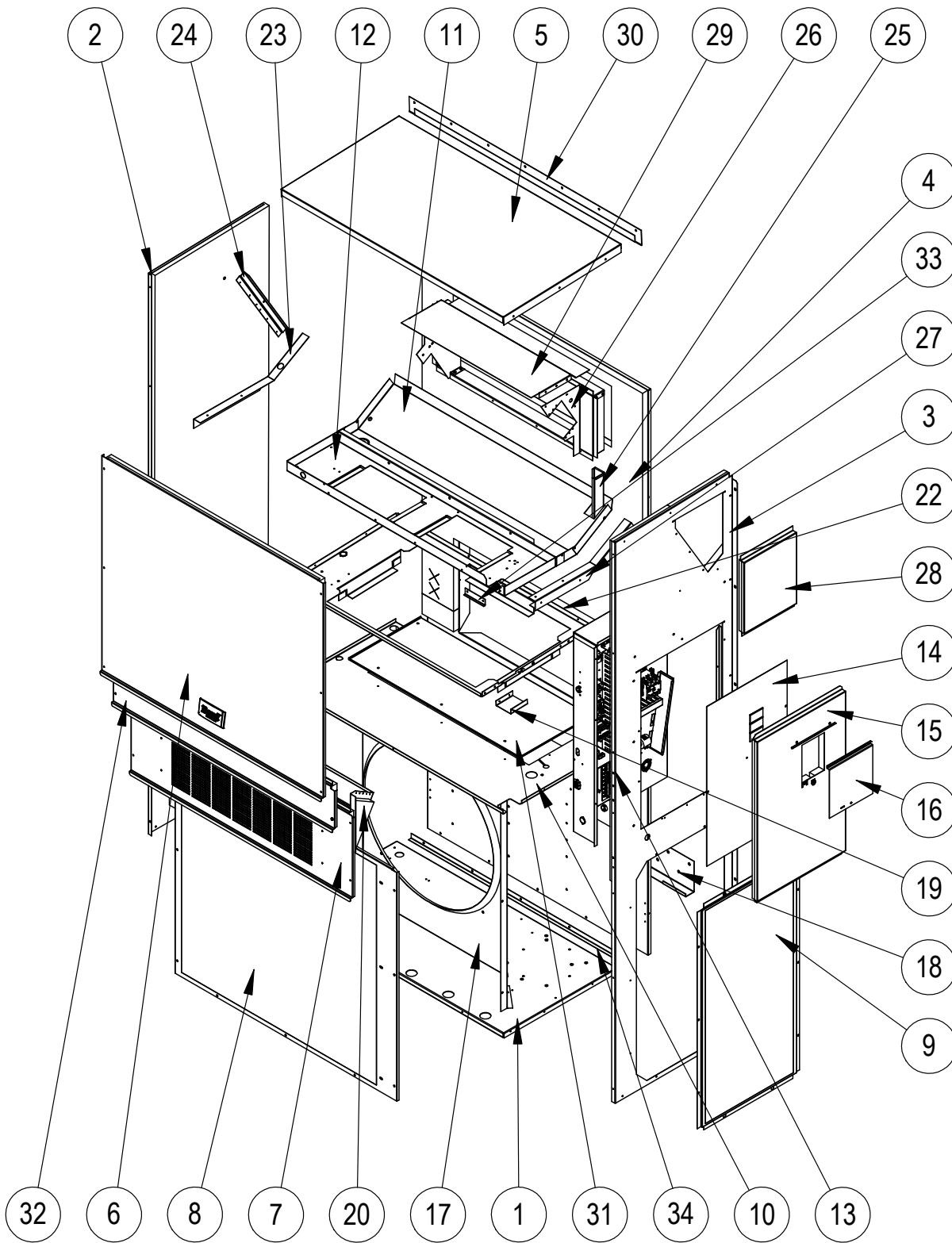
- Contact the installing and/or local Bard distributor for all parts requirements. Make sure to have the complete model and serial number available from the unit rating plates.



Bard Manufacturing Company, Inc.  
Bryan, Ohio 43506  
www.bardhvac.com

Manual: 2110-1528B  
Supersedes: 2110-1528A  
Date: 5-11-18

# CABINET COMPONENTS



This drawing is referenced in tables on pages 3 and 4

SEXP-792

# CABINET COMPONENTS

Dwg No.	Part Number	Description	W42HA-A, B	W42HA-C	W42HADA, DB	W42HADC	W48HA-A, B	W48HA-C	W48HADA, DB	W48HADC
1	S127-425	Lower Base	X	X	X	X	X	X	X	X
1	S127-541 ③	Lower Base	X	X	X	X	X	X	X	X
2	S501-686-* ①	Left Side	X	X	X	X	X	X	X	X
2	S501-699 ②	Left Side	X	X	X	X	X	X	X	X
2	S501-1004 ③	Left Side	X	X	X	X	X	X	X	X
3	S501-840-* ①	Right Side	X	X	X	X	X	X	X	X
3	S501-924 ②	Right Side	X	X	X	X	X	X	X	X
3	S501-1003 ③	Right Side	X	X	X	X	X	X	X	X
4	S508-098	Back	X	X	X	X	X	X	X	X
4	S508-275 ②	Back	X	X	X	X	X	X	X	X
4	S508-395 ③	Back	X	X	X	X	X	X	X	X
5	S507-307-* ①	Top	X	X	X	X	X	X	X	X
5	S507-309 ②	Top	X	X	X	X	X	X	X	X
5	S507-310 ③	Top	X	X	X	X	X	X	X	X
6	S515-230-* ①	Upper Front	X	X	X	X	X	X	X	X
6	S514-231 ②	Upper Front	X	X	X	X	X	X	X	X
6	S514-232 ③	Upper Front	X	X	X	X	X	X	X	X
7	S553-522-* ①	Vent Option Door	X	X	X	X	X	X	X	X
7	S553-529-* ①	Vent Option Door with ERV	X	X	X	X	X	X	X	X
7	S553-525 ②	Vent Option Door	X	X	X	X	X	X	X	X
7	S553-527 ③	Vent Option Door	X	X	X	X	X	X	X	X
8	118-048-* ①	Condenser Grille	X	X	X	X	X	X	X	X
8	118-064 ②	Condenser Grille	X	X	X	X	X	X	X	X
8	118-072 ③	Condenser Grille	X	X	X	X	X	X	X	X
9	118-057-* ①	Side Grille	2	2	2	2	2	2	2	2
9	118-063 ②	Side Grille	2	2	2	2	2	2	2	2
9	118-073 ③	Side Grille	2	2	2	2	2	2	2	2
10	S521X503	Condenser Partition	X	X	X	X	X	X	X	X
10	S521-559 ③	Condenser Partition	X	X	X	X	X	X	X	X
11	S123-122	Drain Pan	X	X	X	X	X	X	X	X
11	S123-125 ②③	Drain Pan	X	X	X	X	X	X	X	X
12	121X463	Blower Partition	X	X	X	X	X	X	X	X
13	Control Panel Assy.	See Control Panel Assy. Drawing & Parts List	X	X	X	X	X	X	X	X
14	S132-277	Control Panel Cover (Inner)	X		X		X		X	
14	S132-278	Control Panel Cover (Inner)		X		X		X		X
15	S533-279-* ①	Control Panel Cover (Outer)	X	X	X	X	X	X	X	X
15	S533-273 ②	Control Panel Cover (Outer)	X	X	X	X	X	X	X	X
15	S533-274 ③	Control Panel Cover (Outer)	X	X	X	X	X	X	X	X
16	S153-218-* ①	Disconnect Access Door	X	X	X	X	X	X	X	X
16	S153-387 ②	Disconnect Access Door	X	X	X	X	X	X	X	X
16	S153-405 ③	Disconnect Access Door	X	X	X	X	X	X	X	X
17	125-024	Fan Shroud	X	X	X	X	X	X	X	X
17	125-058 ③	Fan Shroud	X	X	X	X	X	X	X	X
18	113-140	Bottom Mounting Bracket	X	X	X	X	X	X	X	X
19	137-209	Fill	X	X	X	X	X	X	X	X
20	BFAD-5	Fresh Air Damper Assembly	X	X	X	X	X	X	X	X
22	131X099	Filter Tray	X	X	X	X	X	X	X	X
23	105X877	Left Side Support	X	X	X	X	X	X	X	X
24	147-046	Left Evaporator Support	X	X	X	X	X	X	X	X
25	135-377	Raceway	2	2	2	2	2	2	2	2
26	S111X034	Outlet Air Frame Assembly	X	X	X	X	X	X	X	X
27	105X878	Right Side Support	X	X	X	X	X	X	X	X
28	S543-172-* ①	Right Side Cover Plate (Outer)	X	X	X	X	X	X	X	X
28	S543-176 ②	Right Side Cover Plate (Outer)	X	X	X	X	X	X	X	X
28	S543-177 ③	Right Side Cover Plate (Outer)	X	X	X	X	X	X	X	X
29	135-129	Heat Shield	X	X	X	X	X	X	X	X
30	113-150-* ①	Top Rain Flashing	X	X	X	X	X	X	X	X
30	113-359 ③	Top Rain Flashing	X	X	X	X	X	X	X	X
31	S536-804	Cond. Partition Block Off Plate	X	X	X	X	X	X	X	X
31	S536-881 ③	Cond. Partition Block Off Plate	X	X	X	X	X	X	X	X
32	S553-521-* ①	Filter Door Assembly	X	X	X	X	X	X	X	X
32	S553-526 ②	Filter Door Assembly	X	X	X	X	X	X	X	X
32	S553-528 ③	Filter Door Assembly	X	X	X	X	X	X	X	X
33	105-1302	Grommet Retainer	X	X	X	X	X	X	X	X
34	105-1324	Close Off Angle	X	X	X	X	X	X	X	X

① Exterior cabinet parts are manufactured with various paint color options. To ensure the proper paint color is received, include the complete model and serial number of the unit for which cabinet parts are being ordered.

② Exterior cabinet parts are manufactured from aluminum Code "A"

③ Exterior cabinet parts are manufactured from stainless steel Code "S"

# CABINET COMPONENTS

Dwg No.	Part Number	Description	W60HA-A, B	W60HA-C	W60HADA, DB	W60HADC
1	127-425	Lower Base	X	X	X	X
1	127-541 ③	Lower Base	X	X	X	X
2	S501-733-* ①	Left Side	X	X	X	X
2	S501-828 ②	Left Side	X	X	X	X
2	S501-1010 ③	Left Side	X	X	X	X
3	S501-841-* ①	Right Side	X	X	X	X
3	S501-928 ②	Right Side	X	X	X	X
3	S501-1011 ③	Right Side	X	X	X	X
4	S508-251	Back	X	X	X	X
4	S508-252 ②	Back	X	X	X	X
4	S508-396 ③	Back	X	X	X	X
5	S507-307-* ①	Top	X	X	X	X
5	S507-309 ②	Top	X	X	X	X
5	S507-310 ③	Top	X	X	X	X
6	S515-246-* ①	Upper Front	X	X	X	X
6	S514 ②	Upper Front	X	X	X	X
6	S514 ③	Upper Front	X	X	X	X
7	S553-522-* ①	Vent Option Door	X	X	X	X
7	S553-529-* ①	Vent Option Door with ERV	X	X	X	X
7	S553-525 ②	Vent Option Door	X	X	X	X
7	S553-527 ③	Vent Option Door	X	X	X	X
8	118-085-* ①	Condenser Grille	X	X	X	X
8	118-087 ②	Condenser Grille	X	X	X	X
8	118-089 ③	Condenser Grille	X	X	X	X
9	118-086-* ①	Side Grille	2	2	2	2
9	118-088 ②	Side Grille	2	2	2	2
9	118-090 ③	Side Grille	2	2	2	2
10	S521X503	Condenser Partition	X	X	X	X
10	S521-559 ③	Condenser Partition	X	X	X	X
11	S123-122	Drain Pan	X	X	X	X
11	S123-125 ②③	Drain Pan	X	X	X	X
12	121X463	Blower Partition	X	X	X	X
13	Control Panel Assy.	See Control Panel Assy. Drawing & Parts List	X	X	X	X
14	S132-277	Control Panel Cover (Inner)	X		X	
14	S132-278	Control Panel Cover (Inner)		X		X
15	S533-279-* ①	Control Panel Cover (Outer)	X	X	X	X
15	S533-273 ②	Control Panel Cover (Outer)	X	X	X	X
15	S533-274 ③	Control Panel Cover (Outer)	X	X	X	X
16	S153-218-* ①	Disconnect Access Door	X	X	X	X
16	S153-387 ②	Disconnect Access Door	X	X	X	X
16	S153-405 ③	Disconnect Access Door	X	X	X	X
17	125-070	Fan Shroud	X	X	X	X
17	125-064 ③	Fan Shroud	X	X	X	X
18	113-140	Bottom Mounting Bracket	X	X	X	X
19	137-209	Fill	X	X	X	X
20	BFAD-5	Fresh Air Damper Assembly	X	X	X	X
22	131X099	Filter Tray	X	X	X	X
23	105X877	Left Side Support	X	X	X	X
24	147-046	Left Evaporator Support	X	X	X	X
25	135-377	Raceway	2	2	2	2
26	S111X034	Outlet Air Frame Assembly	X	X	X	X
27	105X878	Right Side Support	X	X	X	X
28	S543-172-* ①	Right Side Cover Plate (Outer)	X	X	X	X
28	S543-176 ②	Right Side Cover Plate (Outer)	X	X	X	X
28	S543-177 ③	Right Side Cover Plate (Outer)	X	X	X	X
29	135-129	Heat Shield	X	X	X	X
30	113-150-* ①	Top Rain Flashing	X	X	X	X
30	113-359 ③	Top Rain Flashing	X	X	X	X
31	S536-804	Cond. Partition Block Off Plate	X	X	X	X
31	S536-881 ③	Cond. Partition Block Off Plate	X	X	X	X
32	S553-521-* ①	Filter Door Assembly	X	X	X	X
32	S553-526 ②	Filter Door Assembly	X	X	X	X
32	S553-528 ③	Filter Door Assembly	X	X	X	X
33	105-1302	Grommet Retainer	X	X	X	X
34	105-1324	Close Off Angle	X	X	X	X

① Exterior cabinet parts are manufactured with various paint color options. To ensure the proper paint color is received, include the complete model and serial number of the unit for which cabinet parts are being ordered.

② Exterior cabinet parts are manufactured from aluminum Code "A"

③ Exterior cabinet parts are manufactured from stainless steel Code "S"

*This page intentionally left blank*



# FUNCTIONAL COMPONENTS - STANDARD UNITS

Dwg No.	Part Number	Description	W42HA-A	W42HA-B	W42HA-C	W48HA-A	W48HA-B	W48HA-C	W60HA-A	W60HA-B	W60HA-C
1	8000-362	Compressor	X								
1	8000-363	Compressor		X							
1	8000-364	Compressor			X						
1	8000-332	Compressor				X					
1	8000-333	Compressor					X				
1	8000-334	Compressor						X			
1	8000-324	Compressor							X		
1	8000-325	Compressor								X	
1	8000-326	Compressor									X
NS	3000-1222	Molded Compressor Power Plug (1 PH)	X			X			X		
NS	3000-1231	Molded Compressor Power Plug (3 PH)		X	X		X	X		X	X
2	S900-320	Blower Assembly	X	X		X	X				
2	S900-321	Blower Assembly			X			X			
2	S900-348-002	Blower Assembly							X	X	
2	S900-349-002	Blower Assembly									X
3	8200-004	Fan Motor Mount	X	X	X	X	X	X	X	X	X
3	8200-051 ①	Stainless Steel Fan Motor Mount	X	X	X	X	X	X	X	X	X
4	5151-060	Fan Blade	X	X	X	X	X	X	X	X	X
4	5151C060 ①	Coated Fan Blade	X	X	X	X	X	X	X	X	X
5	8105-066	Condenser Motor	X	X		X	X		X	X	
5	8105-030	Condenser Motor			X			X			X
6	917-0290BX	Outdoor Coil (Coil + Distributor)	X	X	X						
6	917-0292BX ②	Outdoor Coil - Coated (Coil + Distributor)	O	O	O						
6	917-0296BX	Outdoor Coil (Coil + Distributor)				X	X	X			
6	917-0298BX ②	Outdoor Coil - Coated (Coil + Distributor)				O	O	O			
6	917-0302BX	Outdoor Coil (Coil + Distributor)							X	X	X
6	917-0304BX ②	Outdoor Coil - Coated							O	O	O
7	5625-148	Cooling Distributor - Orifice	X	X	X						
7	5625-149	Cooling Distributor - Orifice				X	X	X			
7	5625-150	Cooling Distributor - Orifice							X	X	X
8	917-0289BX	Indoor Coil (Evap + Distributor)	X	X	X						
8	917-0291BX ②	Indoor Coil - Coated (Evap + Distributor)	O	O	O						
8	917-0295	Indoor Coil (Evap + Distributor)				X	X	X			
8	917-0297 ②	Indoor Coil - Coated (Evap + Distributor)				O	O	O			
8	917-0301	Indoor Coil (Evap + Distributor)							X	X	X
8	917-0303 ②	Indoor Coil - Coated (Evap + Distributor)							O	O	O
9	7004-016	Air Filter 1" Throw-Away (20x30x1)	X	X	X	X	X	X	X	X	X
9	7003-030	Air Filter 1" Washable (20x30x1)	X	X	X	X	X	X	X	X	X
9	7004-027	Air Filter 2" Pleated (20x30x2)	X	X	X	X	X	X	X	X	X
10	1171-022	1/4 Turn Fastener	X	X	X	X	X	X	X	X	X
11	1171-024	1/4 Turn Retainer	X	X	X	X	X	X	X	X	X
12	1171-023	1/4 Turn Receptacle	X	X	X	X	X	X	X	X	X
13	5650-040	Reversing Valve 7/8" X 1/2" w/24V Solenoid	X	X	X	X	X	X	X	X	X
14	5650-046	Reversing Valve Solenoid	X	X	X	X	X	X	X	X	X
15	5650-037	Molded Plug for Rev. and Dehum. Valves	X	X	X	X	X	X	X	X	X
17	8408-044	Defrost Thermistor Sensor	X	X	X	X	X	X	X	X	X
19	8406-142	High Pressure Switch (650#)	X	X	X	X	X	X	X	X	X
19	8406-135	Low Pressure Switch (14#)	X	X	X	X	X	X	X	X	X
19	8406-112 ②	Low Ambient Control Switch (350/225#)	O	O	O	O	O	O	O	O	O
21	5651-210	Heating Expansion Valve	X	X	X						
21	5651-225	Heating Expansion Valve				X	X	X			
21	5651-211	Heating Expansion Valve							X	X	X
22	5201-020	Bi-Flow Liquid Line Filter Drier	X	X	X	X	X	X	X	X	X
NS	5451-024	Tubing Isolation Grommet	2	2	2	2	2	2	2	2	2
NS	6031-009	Coremax Valve Core (refrigerant service port)	2	2	2	2	2	2	2	2	2
NS	1171-028	Filter Door Clip	2	2	2	2	2	2	2	2	2
NS	1171-057	Filter Door Screw	2	2	2	2	2	2	2	2	2
NS	1171-027	Filter Door Screw Retainer	2	2	2	2	2	2	2	2	2

NS – Not Shown

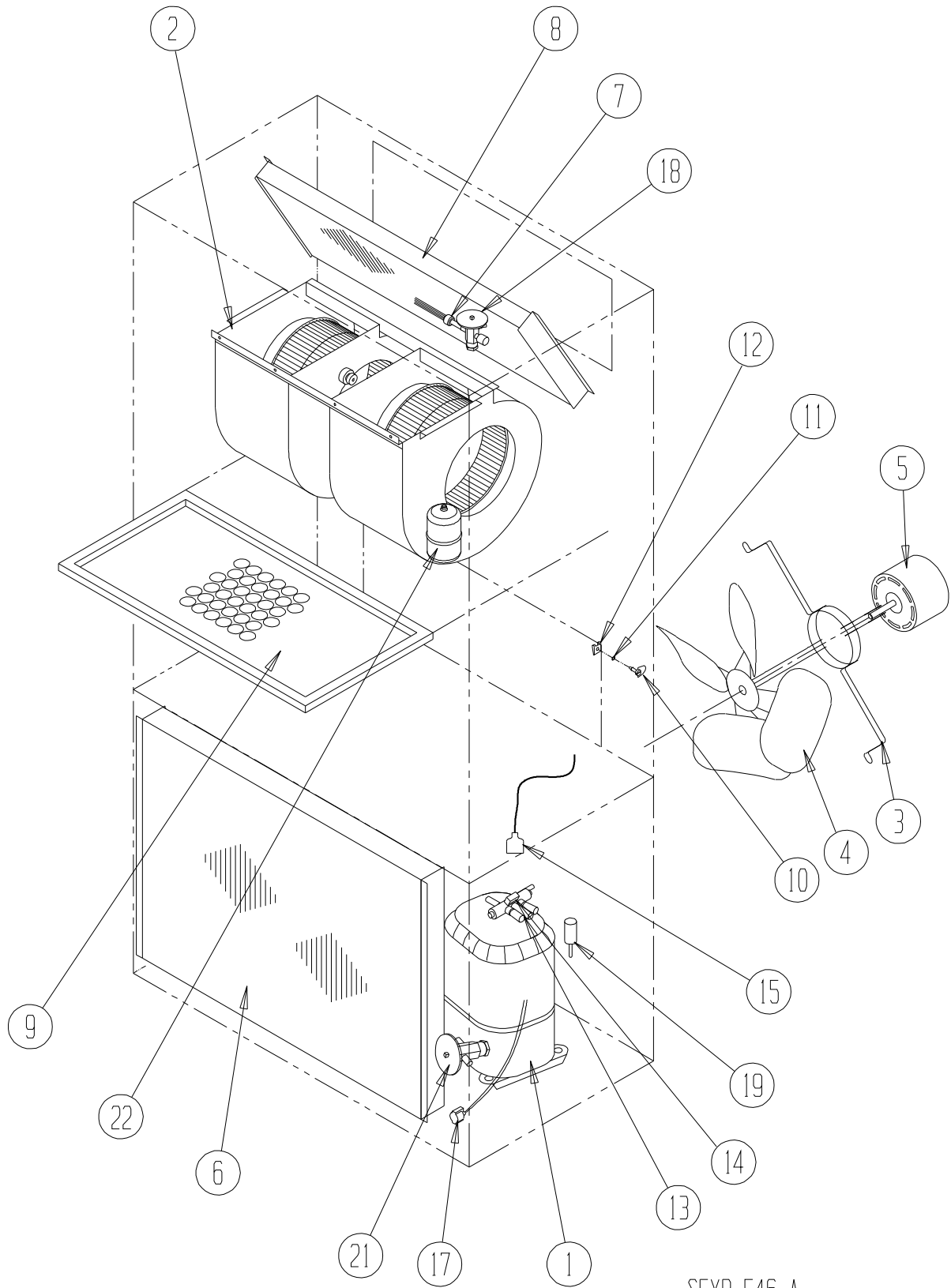
① – Used with stainless steel cabinet option

② – Optional on these models

X = Standard

O = Optional

# FUNCTIONAL COMPONENTS - DEHUMIDIFICATION UNITS



SEXP-546 A



# FUNCTIONAL COMPONENTS – DEHUMIDIFICATION UNITS

Dwg No.	Part Number	Description	W42HADA	W42HADB	W42HADC	W48HADA	W48HADB	W48HADC	W60HADA	W60HADB	W60HADC
1	8000-362	Compressor	X								
1	8000-363	Compressor		X							
1	8000-364	Compressor			X						
1	8000-332	Compressor				X					
1	8000-333	Compressor					X				
1	8000-334	Compressor						X			
1	8000-324	Compressor							X		
1	8000-325	Compressor								X	
1	8000-326	Compressor									X
NS	3000-1222	Molded Compressor Power Plug (1 PH)	X			X			X		
NS	3000-1231	Molded Compressor Power Plug (3 PH)		X	X		X	X		X	X
2	S900-320	Blower Assembly	X	X							
2	S900-321	Blower Assembly			X						
2	S900-185	Blower Assembly				X	X				
2	S900-186	Blower Assembly					X				
2	S900-348-002	Blower Assembly						X	X		
2	S900-349-002	Blower Assembly									X
3	8200-004	Fan Motor Mount	X	X	X	X	X	X	X	X	X
3	8200-051 ①	Stainless Steel Fan Motor Mount	X	X	X	X	X	X	X	X	X
4	5151-060	Fan Blade	X	X	X	X	X	X	X	X	X
4	5151C060 ①	Coated Fan Blade	X	X	X	X	X	X	X	X	X
5	8105-066	Condenser Motor	X	X		X	X		X	X	
5	8105-030	Condenser Motor			X		X				X
6	917-0290BX	Outdoor Coil (Coil + Distributor)	X	X	X						
6	917-0292BX ②	Outdoor Coil - Coated (Coil + Distributor)	O	O	O						
6	917-0296BX	Outdoor Coil (Coil + Distributor)				X	X	X			
6	917-0298BX ②	Outdoor Coil - Coated (Coil + Distributor)				O	O	O			
6	917-0302BX	Outdoor Coil (Coil + Distributor)							X	X	X
6	917-0304BX ②	Outdoor Coil - Coated							O	O	O
7	5625-015	Cooling Distributor - TXV	X	X	X	X	X	X			
7	5625-115	Cooling Distributor - TXV							X	X	X
8	917-0273BX	Indoor Coil (Evap + Distributor)	X	X	X						
8	917-0294BX ②	Indoor Coil - Coated (Evap + Distributor)	O	O	O						
8	917-0272	Indoor Coil (Evap + Distributor)				X	X	X			
8	917-0300 ②	Indoor Coil - Coated (Evap + Distributor)				O	O	O			
8	917-0271	Indoor Coil (Evap + Distributor)							X	X	X
8	917-0306 ②	Indoor Coil - Coated (Evap + Distributor)							O	O	O
9	7004-016	Air Filter 1" Throw-Away (20x30x1)	X	X	X	X	X	X	X	X	X
9	7003-030	Air Filter 1" Washable (20x30x1)	X	X	X	X	X	X	X	X	X
9	7004-027	Air Filter 2" Pleated (20x30x2)	X	X	X	X	X	X	X	X	X
10	1171-022	1/4 Turn Fastener	X	X	X	X	X	X	X	X	X
11	1171-024	1/4 Turn Retainer	X	X	X	X	X	X	X	X	X
12	1171-023	1/4 Turn Receptacle	X	X	X	X	X	X	X	X	X
13	5650-040	Reversing Valve 7/8" X 1/2" w/24V Solenoid	X	X	X	X	X	X	X	X	X
14	5650-046	Reversing Valve Solenoid	X	X	X	X	X	X	X	X	X
15	5650-037	Molded Plug for Rev. and Dehum. Valves	X	X	X	X	X	X	X	X	X
NS	5650-051	Dehumidification Valve 1/2 x 1/2 w/24V Solenoid	X	X	X	X	X	X	X	X	X
NS	5651-219	Dehum Check Valve	2	2	2	2	2	2	2	2	2
17	8408-044	Defrost Thermistor Sensor	X	X	X	X	X	X	X	X	X
18	5651-229	Cooling Expansion Valve	X	X	X						
18	5651-230	Cooling Expansion Valve				X	X	X			
18	5651-212	Cooling Expansion Valve							X	X	X
19	8406-142	High Pressure Switch (650#)	X	X	X	X	X	X	X	X	X
19	8406-135	Low Pressure Switch (14#)	X	X	X	X	X	X	X	X	X
19	8406-112 ②	Low Ambient Control Switch (350/225#)	O	O	O	O	O	O	O	O	O
21	5651-210	Heating Expansion Valve	X	X	X						
21	5651-225	Heating Expansion Valve				X	X	X			
21	5651-211	Heating Expansion Valve							X	X	X
22	5201-020	Bi-Flow Liquid Line Filter Drier	X	X	X	X	X	X	X	X	X
NS	5451-024	Tubing Isolation Grommet	2	2	2	2	2	2	2	2	2
NS	6031-009	Coremax Valve Core (refrigerant service port)	2	2	2	2	2	2	2	2	2
NS	1171-028	Filter Door Clip	2	2	2	2	2	2	2	2	2
NS	1171-057	Filter Door Screw	2	2	2	2	2	2	2	2	2
NS	1171-027	Filter Door Screw Retainer	2	2	2	2	2	2	2	2	2

NS – Not Shown

① – Used with stainless steel cabinet option

② – Optional on these models

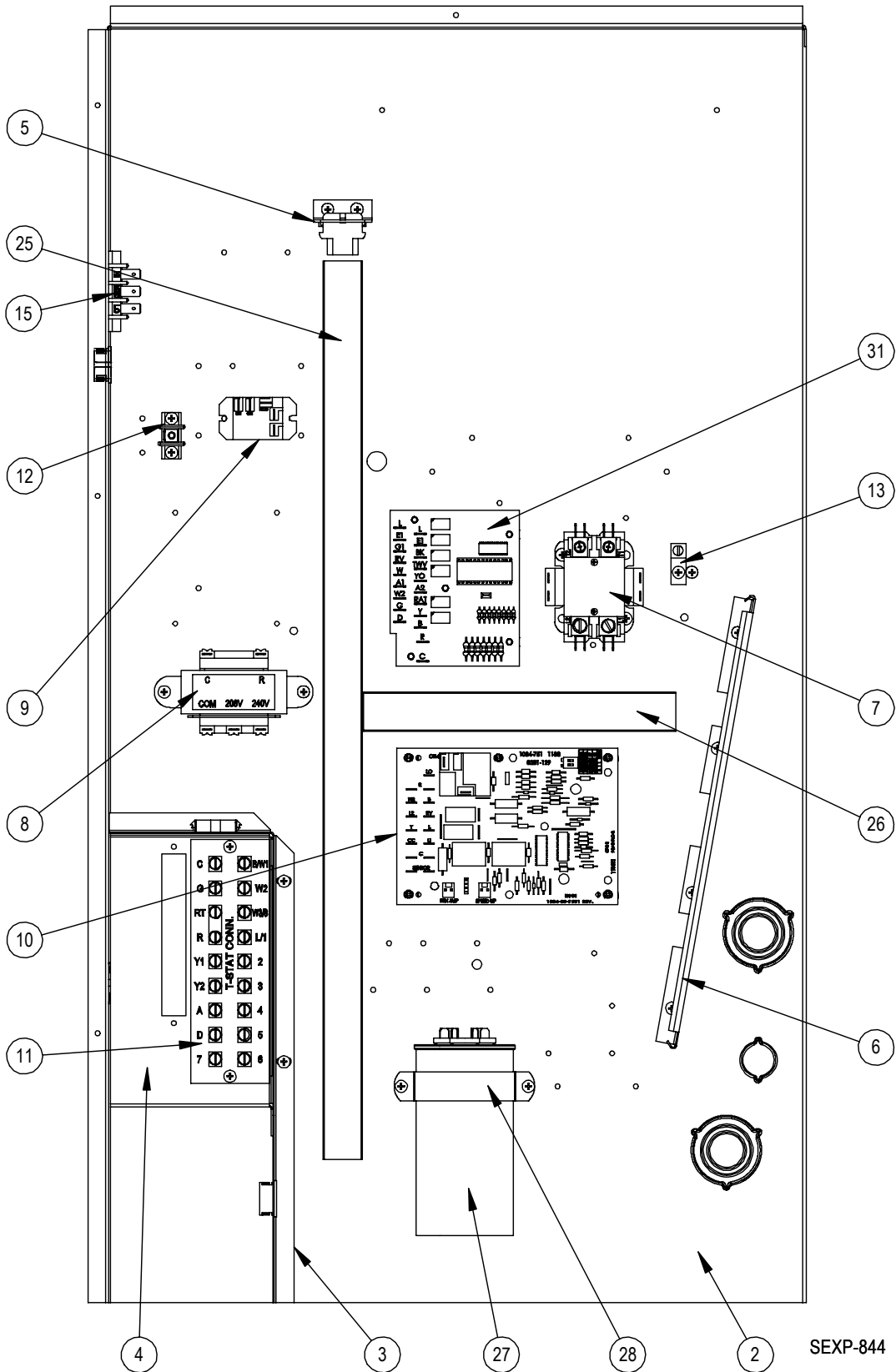
X = Standard

O = Optional

Manual 2110-1528B

Page 9 of 15

# CONTROL PANEL - A VOLTAGE MODELS



SEXP-844

## CONTROL PANEL - A VOLTAGE MODELS

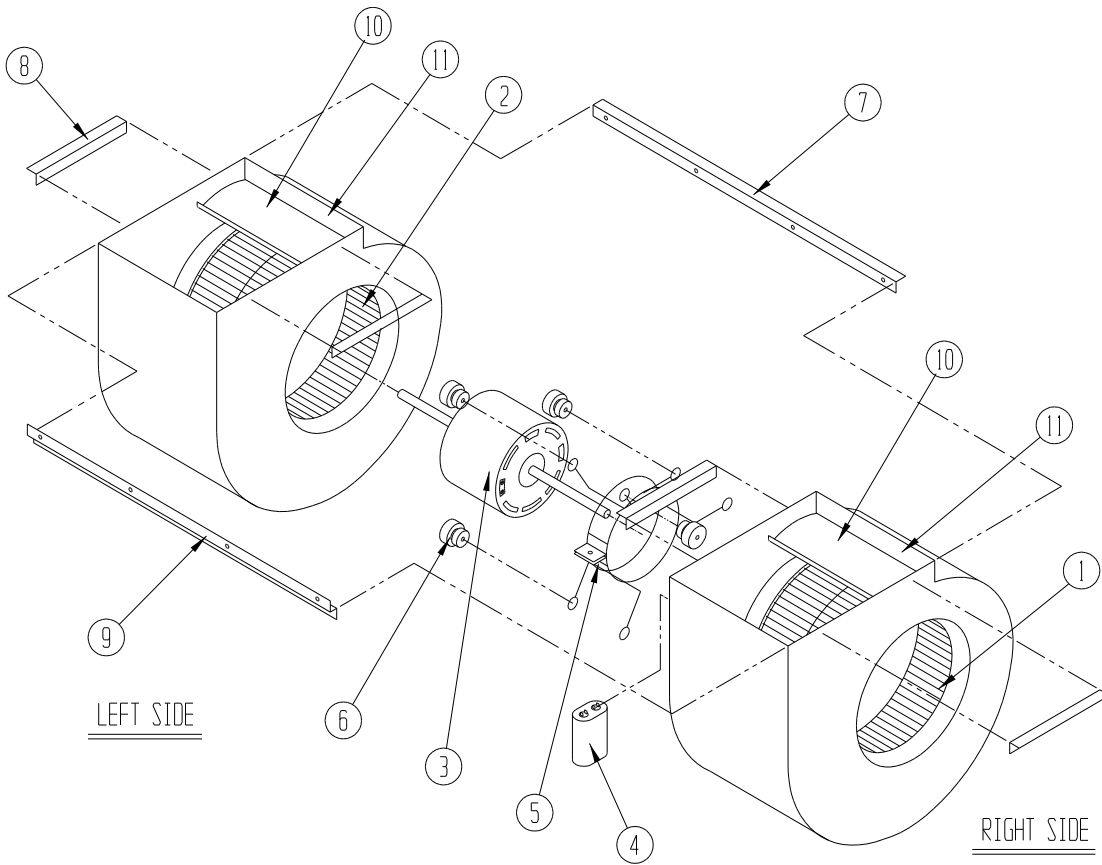
Dwg No.	Part Number	Description	W42HA-A	W42HADA	W48HA-A	W48HADA	W60HA-A	W60HADA
2	117X373	Control Panel - RH	X	X	X	X	X	X
3	117X371	Low Voltage Box - RH	X	X	X	X	X	X
4	117X372	Low Voltage Partition - RH	X	X	X	X	X	X
5	141-443	Plug Support Bracket	X	X	X	X	X	X
6	135-122	Wire Shield	X	X	X	X	X	X
7	8401-034	Contactora 2-Pole 40 Amp	X	X	X	X	X	X
8	8407-068	Transformer 208-240/24 VAC 50 VA	X	X	X	X	X	X
9	8201-130	Blower Relay, SPDT	X	X	X	X	X	X
10	8201-129	Defrost Logic Control	X	X	X	X	X	X
11	8607-044	Low Voltage Terminal Strip	X	X	X	X	X	X
12	8607-041	Park Terminal	X	X	X	X		
13	8611-006	Ground Lug	X	X	X	X	X	X
15	8607-042	Blower Speed Terminal					X	X
25	8611-140-2300	2-1/4" X 1" Cable Duct X 23	X	X	X	X	X	X
26	8611-140-0800	2-1/4" X 1" Cable Duct X 8"	X	X	X	X	X	X
27	8552-079	Capacitor 45+10/370V	X					X
27	8552-089	Capacitor 70+10/370V		X	X	X		
27	8552-058	Capacitor 80+10/370V					X	
28	8550-008	Capacitor Bracket 2.5" Round	X	X	X	X		
31	8201-113	Dehum Logic Control		X		X		X
NS	S910-2004	Complete Low Voltage Box Assembly (Sheet Metal, LVTS & Wire Harness)	X	X	X	X	X	X
NS	4096-164	Wiring Diagram	X		X			
NS	4096-165	Wiring Diagram		X		X		
NS	4096-166	Wiring Diagram					X	
NS	4096-167	Wiring Diagram						X



## CONTROL PANEL - B AND C VOLTAGE MODELS

Dwg No.	Part Number	Description	W42HA-B	W42HA-C	W42HADB	W42HADC	W48HA-B	W48HA-C	W48HADB	W48HADC	W60HA-B	W60HA-C	W60HADB	W60HADC
2	117X373	Control Panel - RH	X	X	X	X	X	X	X	X	X	X	X	X
3	117X371	Low Voltage Box - RH	X	X	X	X	X	X	X	X	X	X	X	X
4	117X372	Low Voltage Partition - RH	X	X	X	X	X	X	X	X	X	X	X	X
5	141-443	Plug Support Bracket	X	X	X	X	X	X	X	X	X	X	X	X
6	135-122	Wire Shield	X	X	X	X	X	X	X	X	X	X	X	X
7	8401-035	Contactora 3-Pole 25 Amp	X	X	X	X	X	X	X	X	X	X	X	X
8	8407-068	Transformer 208-240/24 VAC 50 VA	X		X		X		X		X		X	
8	8407-069	Transformer 480/24 VAC 50 VA		X		X		X		X		X		X
9	8201-132	Blower Relay, SPDT, 3 FLA@480V		X		X		X		X		X		X
9	8201-130	Blower Relay, SPDT	X		X		X		X		X		X	X
10	8201-129	Defrost Logic Control	X	X	X	X	X	X	X	X	X	X	X	X
11	8607-044	Low Voltage Terminal Strip	X	X	X	X	X	X	X	X	X	X	X	X
12	8607-041	Park Terminal	X	X	X	X	X	X	X	X				
13	8611-006	Ground Lug	X	X	X	X	X	X	X	X	X	X	X	X
14	8201-032	Relay, SPDT 480V		X		X		X		X		X		X
15	8607-042	Blower Speed Terminal									X	X	X	X
25	8611-140-2300	2-1/4" X 1" Cable Duct X 23	X	X	X	X	X	X	X	X	X	X	X	X
26	8611-140-0800	2-1/4" X 1" Cable Duct X 8"	X	X	X	X	X	X	X	X	X	X	X	X
27	8552-005	Capacitor 10MFD 370V 1-1/4" Oval	X		X		X		X		X		X	
27	8552-026	Capacitor 15MFD 370V 1-3/4" Round		X		X		X		X		X		X
28	8550-003	Capacitor Bracket 1-1/4" Oval	X		X		X		X		X		X	
28	8550-006	Capacitor Bracket 1-3/4" Round		X		X		X		X		X		X
29	8201-126	3 Phase Line Monitor 50/60HZ	X	X	X	X	X	X	X	X	X	X	X	X
31	8201-113	Dehum Logic Control			X	X			X	X			X	X
NS	S910-2004	Complete Low Voltage Box Assembly (Sheet Metal, LVTS & Wire Harness)	X	X	X	X	X	X	X	X	X	X	X	X
NS	4096-266	Wiring Diagram	X				X							
NS	4096-267	Wiring Diagram			X				X					
NS	4096-268	Wiring Diagram									X			
NS	4096-269	Wiring Diagram											X	
NS	4096-364	Wiring Diagram		X			X							
NS	4096-365	Wiring Diagram				X				X				
NS	4096-366	Wiring Diagram										X		
NS	4096-367	Wiring Diagram												X

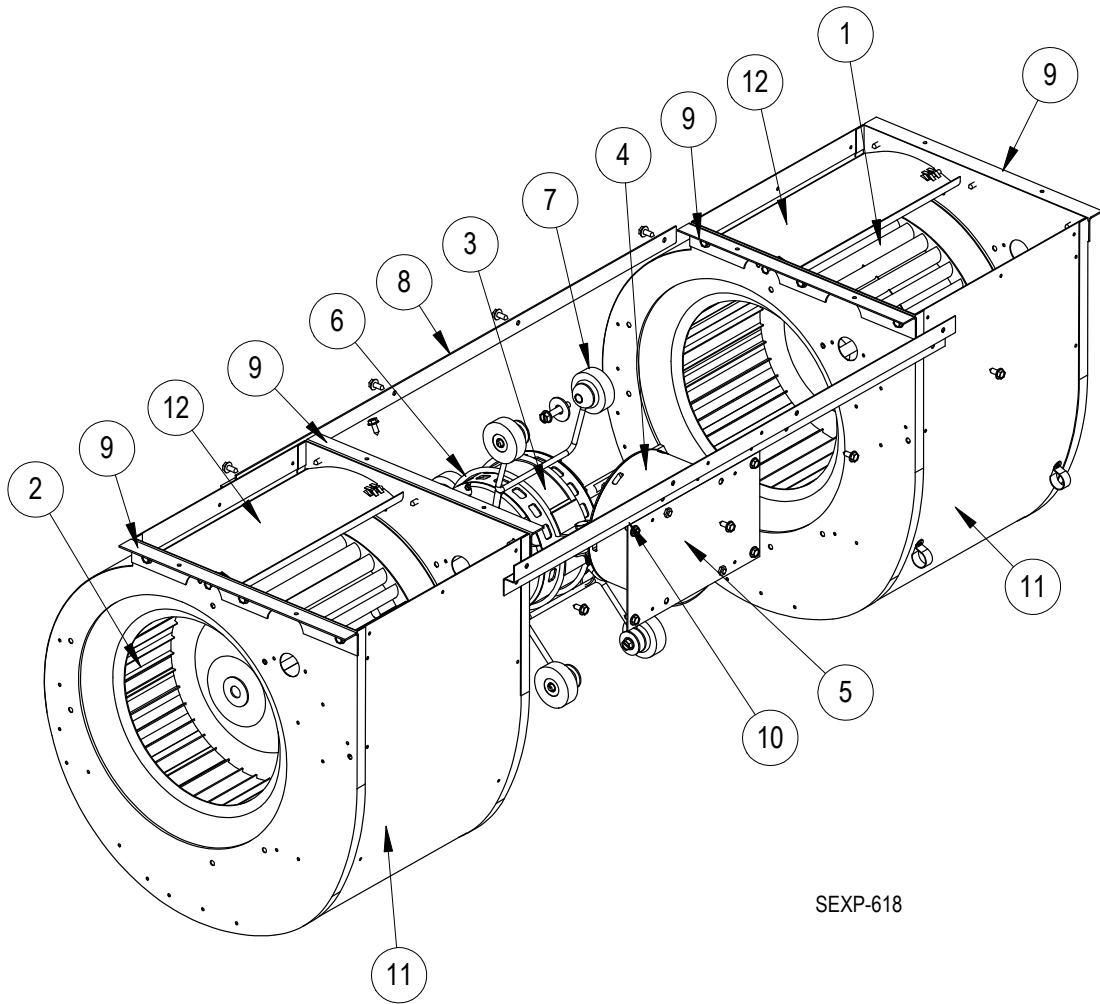
# BLOWER ASSEMBLY



SEXP-178

Dwg No.	Part Number	Description	S900-320	S900-321	S900-185	S900-186
1	5152-011	10 Inch Wheel (CW)	X	X	X	X
1	5152-057	9 Inch Wheel (CW)	X	X		
2	5152-012	10 Inch Wheel (CW)	X	X	X	X
2	5152-058	9 Inch Wheel (CW)	X	X		
3	8105-061	Blower Motor (230/208)	X			
3	8105-062	Blower Motor (460)		X		
3	8106-046	Blower Motor (230/208)			X	
3	8106-025	Blower Motor (460)				X
4	8552-091	Capacitor	X	X	X	
4	8552-005	Capacitor				X
5	8200-040	Motor Mount	X	X	X	X
6	5451-011	Grommets	6	6	6	6
7	105-881	Back Brace	X	X	X	X
8	105-880	Side Angle	4	4	4	4
9	103-389	Front Brace	X	X	X	X
10	151-101	Housing	2	2	2	2
11	144-166	Diffuser	2	2	2	2

# BLOWER ASSEMBLY



SEXP-618

Dwg. No.	Part Number	Description	S900-348-002	S900-349-002
1	5152-011	10-Inch Wheel (CW)	X	X
2	5152-012	10-Inch Wheel (CCW)	X	X
3	S8107-019-0138	3/4 HP 208/230V Programmed Motor	X	
3	S8107-026-0139	3/4 HP 460V Programmed Motor		X
4	C8107-019-0135	Programmed Motor Control Only	X	
4	C8107-026-0136	Programmed Motor Control Only		X
5	112-580	Blower Motor Control Bracket	X	X
6	8200-040	Motor Mount	X	X
7	5451-011	Grommets	6	6
8	105-881	Back Brace	X	X
9	105-880	Side Angle	4	4
10	103-389	Front Brace	X	X
11	151-101	Housing	2	2
12	144-166	Diffuser	2	2