
REPLACEMENT PARTS MANUAL

Q-TEC™ SERIES PACKAGED HEAT PUMP

Models:

Q24H3DA Q30H3DA Q36H3DA Q43H3DA Q48H3DA Q60H3DA
Q24H3DB Q30H3DB Q36H3DB Q43H3DB Q48H3DB Q60H3DB
Q24H3DC Q30H3DC Q36H3DC Q43H3DC Q48H3DC Q60H3DC

Contents

Description	Page	Description	Page
Cabinet Components		Lower Control Panel Components	
♦ Exploded View	2	♦ Layout View	20
♦ Usage List	3	♦ Usage List	21
♦ Usage List	4	Dehumidification Module Components	
♦ Usage List	5	♦ Layout View	22
♦ Usage List	6	♦ Usage List	23
Functional Components		Blower Assembly Components	
♦ Exploded View	8	♦ Exploded View	24
♦ Usage List	9	♦ Usage List	25
♦ Usage List	10	Optional Climate Control Components	
♦ Usage List	11	♦ Layout View	26
♦ Usage List	12	♦ Usage List	27
Upper Control Panel Components		Wall Sleeve Cabinet Components	
♦ Layout View	13	♦ Exploded View	28
♦ Usage List	14	♦ Usage List	29
♦ Usage List	15		
♦ Usage List	16		
♦ Usage List	17		
♦ Usage List	18		
♦ Usage List	19		

General Notes

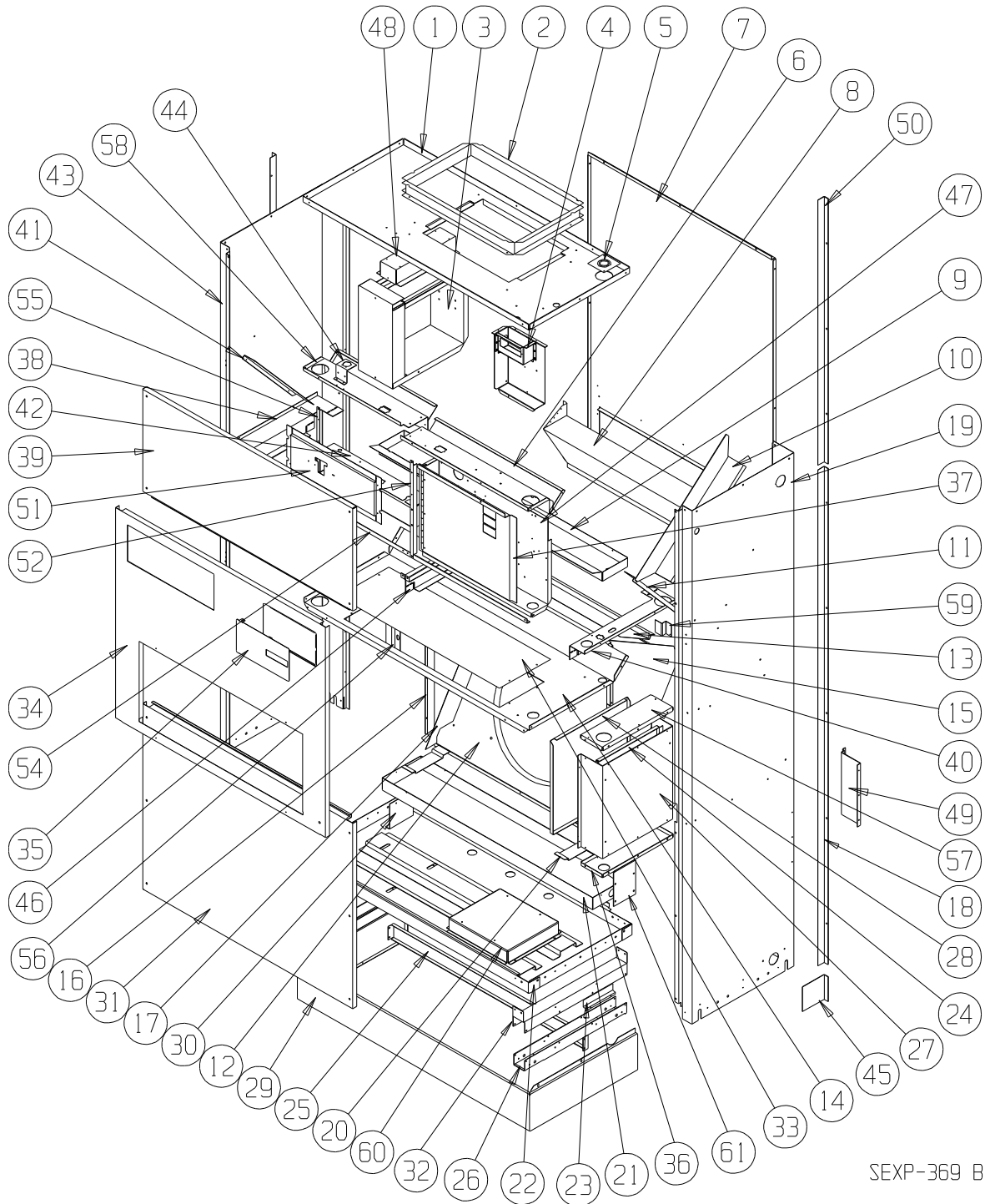
- Revised and/or additional pages may be issued from time to time.
- A complete and current manual consists of pages shown in the following contents section.



Bard Manufacturing Company, Inc.
Bryan, Ohio 43506
www.bardhvac.com

Manual: 2110-1530A
Supersedes: 2110-1530
Date: 8-22-18

CABINET COMPONENTS



This exploded view is referenced in tables on pages 3, 4, 5 and 6

CABINET COMPONENTS

Drawing No.	Part No.	Description	Q24H3DA, B	Q24H3DC	Q30H3DA, B	Q30H3DC	Q36H3DA, -B	Q36H3DC
1	506-225	Top Assembly	X	X	X	X	X	X
2	110-044	Outlet Duct Flange	2	2	2	2	2	2
3	See page 13	Heater Package Assembly (Optional)	X	X	X	X	X	X
4	117-285	Low Voltage Box Assembly (Optional)	X	X	X	X	X	X
5	136-359	T.K.O. Plate	X	X	X	X	X	X
6	534-191	Evaporator Coil Shield – Right	X	X	X	X	X	X
7	508-133	Back Assembly	X	X	X	X	X	X
8	S538-215	Fresh Air Damper Assembly	X	X	X	X	X	X
9	S523-104	Evaporator Drain Pan Assembly	X	X	X	X	X	X
10	134-154	Wire Channel	X	X	X	X	X	X
11	140X277	Right Evaporator Support	X	X	X	X	X	X
12	125-032	Fan Shroud Back	X	X	X	X	X	X
13	142-055	Condenser Coil Fill	X	X	X	X	X	X
14	520-346	Condenser Partition Assembly	X	X	X	X	X	X
15	124X043	Fan Shroud Right Side	X	X	X	X	X	X
16	124Y043	Fan Shroud Left Side	X	X	X	X	X	X
17	140-229	Condenser Coil Support	2	2	2	2	2	2
18	S135-177-* ①	Side Trim – Lower	2	2	2	2	2	2
19	500-392-* ①	Right Side Assembly	X	X	X	X	X	X
20	140-227	Subcooling Loop Hold Down	3	3	3	3	3	3
21	123-094	Condenser Drain Pan Assembly	X	X	X	X	X	X
22	527-309-X	Lower Base Assembly	X	X	X	X	X	X
23	102-415	Pile Seal Offset	2	2	2	2	2	2
24	117-240	Lower Control Panel Plate	X	X	X	X	X	X
25	135-189	Base Shield	X	X	X	X	X	X
26	140-276	Lower Roller Support	2	2	2	2	2	2
27	See page 20	Control Panel Components	X	X	X	X	X	X
28	133-164	Control Panel Door – Lower	X	X	X	X	X	X
29	534-155-6	Base Trim Assembly	X	X	X	X	X	X
30	140-230	Drain Pan Support	X	X	X	X	X	X
31	552-332-* ①	Condenser Door Assembly	X	X	X	X	X	X
32	140-280	Upper Roller Support	2	2	2	2	2	2
33	536-351	Condenser Blank Off Plate	X	X	X	X	X	X
<i>Continued on page 4</i>								

① Exterior cabinet parts are manufactured with various paint color options. To ensure the proper paint color is received, reference the following codes:

- Beige -X
- Buckeye Gray -4
- Vinyl – Slate Finish -6
- Vinyl – Platinum Finish-7

CABINET COMPONENTS

Drawing No.	Part No.	Description	Q24H3-A, B	Q24H3-C	Q30H3-A, B	Q30H3-C	Q36H3-A, -B	Q36H3-C
<i>Continued from page 3</i>								
34	552-330-* ①	Filter Door Assembly	X	X	X	X	X	X
35	153-336-* ①	Circuit Breaker Door	X	X	X	X	X	X
36	117-238	Lower Control Panel Bottom	X	X	X	X	X	X
37	132-173	Disconnect Door Inner		X		X		X
37	132-165	Circuit Breaker Door Inner	X		X		X	
38	113-281	Left Filter Bracket	X	X	X	X	X	X
39	552-331-* ①	Blower Door Assembly	X	X	X	X	X	X
40	113-282	Right Filter Bracket	X	X	X	X	X	X
41	140Y277	Left Evaporator Support	X	X	X	X	X	X
42	116-254	Dehum Control Box	X	X	X	X	X	X
43	500-391-* ①	Left Side Assembly	X	X	X	X	X	X
44	113-142	Expansion Valve Mounting Plate	X	X	X	X	X	X
45	135-165-* ①	Base Trim Extension	2	2	2	2	2	2
46	112X283	Center Right Filter Bracket	X	X	X	X	X	X
46	112Y283	Center Left Filter Bracket	X	X	X	X	X	X
47	See page 13	Pull Disconnect Assembly		X		X		X
47	See page 13	Circuit Breaker Box Assembly	X		X		X	
48	112-229	Heat Strip Bracket	X	X	X	X	X	X
49	112-234	Mounting Bracket	2	2	2	2	2	2
50	S135-178-* ①	Side Trim – Upper	2	2	2	2	2	2
51	See page 22	Thermostat Mounting Plate	X	X	X	X	X	X
52	104-1096	Left Thermostat Support Angle	X	X	X	X	X	X
54	104-1097	Front Filter Angle	X	X	X	X	X	X
55	104-1096	Right Thermostat Support Angle	X	X	X	X	X	X
56	102-434	Sleeve Offset	X	X	X	X	X	X
57	117-237	Lower Control Panel Top	X	X	X	X	X	X
58	534-190	Evaporator Coil Shield – Left	X	X	X	X	X	X
59	103-443	Door Latch Offset	X	X	X	X	X	X
60	140-282	Transformer Support		X		X		X
NS	132-180	Dehum Control Box Cover	X	X	X	X	X	X

① Exterior cabinet parts are manufactured with various paint color options. To ensure the proper paint color is received, reference the following codes:

- Beige -X
- Buckeye Gray -4
- Vinyl – Slate Finish -6
- Vinyl – Platinum Finish -7

This table references exploded view on page 2

CABINET COMPONENTS

Drawing No.	Part No.	Description	Q43H3DA; DB	Q48H3DA; DB
			Q60H3DA; DB	Q43H3DC
1	506-226	Top Assembly	X	X
2	110-044	Outlet Duct Flange	2	2
3	See page 13	Heater Package Assembly (Optional)	X	X
4	117-285	Low Voltage Box Assembly (Optional)	X	X
5	136-359	T.K.O. Plate	X	X
6	534-195	Evaporator Coil Shield – Right	X	X
7	508-149	Back Assembly	X	X
8	S538-215	Fresh Air Damper Assembly	X	X
9	S523-105	Evaporator Drain Pan Assembly	X	X
10	134-154	Wire Channel	X	X
11	140X277	Right Evaporator Support	X	X
12	125-046	Fan Shroud Back	X	X
13	143-066	Condenser Coil Fill	X	X
14	520-347	Condenser Partition Assembly	X	X
15	125-041	Fan Shroud Right Side	X	X
16	125-045	Fan Shroud Left Side	X	X
17	140-229	Condenser Coil Support	2	2
18	S135-177-* ①	Side Trim - Lower	2	2
19	500-392-* ①	Right Side Assembly	X	X
20	140-227	Subcooling Loop Hold Down	3	3
21	123-099	Condenser Drain Pan Assembly	X	X
22	527-294-X	Lower Base Assembly	X	X
23	102-415	Pile Seal Offset	2	2
24	117-240	Lower Control Panel Plate	X	X
25	135-194	Base Shield	X	X
26	140-225	Lower Roller Support	2	2
27	See page 20	Control Panel Components	X	X
28	133-164	Control Panel Door - Lower	X	X
29	534-174-6	Base Trim Assembly	X	X
31	552-334-* ①	Condenser Door Assembly	X	X
32	140-224-X	Upper Roller Support	2	2
33	536-351	Condenser Blank Off Plate	X	X
<i>Continued on page 6</i>				

① Exterior cabinet parts are manufactured with various paint color options. To ensure the proper paint color is received, reference the following codes:

Beige	-X
Buckeye Gray	-4
Vinyl – Slate Finish	-6
Vinyl – Platinum Finish	-7

This table references exploded view on page 2

CABINET COMPONENTS

Q43H3DA, DB
 Q48H3DA, DB
 Q60H3DA, DB
 Q43H3DC
 Q48H3DC
 Q60H3DC

Drawing No.	Part No.	Description		
<i>Continued from page 5</i>				
34	552-335-* ①	Filter Door Assembly	X	X
35	153-336-* ①	Circuit Breaker Door	X	X
36	117-238	Lower Control Panel Bottom	X	X
37	132-173	Disconnect Door Inner		X
37	132-165	Circuit Breaker Door Inner	X	
38	113-281	Left Filter Bracket	X	X
39	552-333-* ①	Blower Door Assembly	X	X
40	113-286	Right Filter Bracket	X	X
41	140Y277	Left Evaporator Support	X	X
42	116-254	Dehum Control Box	X	X
43	500-393-* ①	Left Side Assembly	X	X
44	113-142	Expansion Valve Mounting Plate	X	X
45	134-165-* ①	Base Trim Extension	2	2
46	112X283	Center Right Filter Bracket	X	X
46	112Y283	Center Left Filter Bracket	X	X
47	See page 13	Pull Disconnect Assembly		X
47	See page 13	Circuit Breaker Box Assembly	X	
48	112-229	Heat Strip Bracket	X	X
49	112-245	Right Mounting Bracket	X	X
49	112-246	Left Mounting Bracket	X	X
50	S135-178-* ①	Side Trim – Upper	2	2
51	See page 26	Thermostat Mounting Plate	X	X
52	104-1096	Left Thermostat Support Angle	X	X
54	104-1101	Front Filter Angle	X	X
55	104-1096	Right Thermostat Support Angle	X	X
56	102-434	Sleeve Offset	X	X
57	117-237	Lower Control Panel Top	X	X
58	534-190	Evaporator Coil Shield – Left	X	X
59	103-443	Door Latch Offset	X	X
60	140-282	Transformer Support		X
61	112-372	Motor Control Bracket	X	X
NS	132-180	Dehum Control Box Cover	X	X

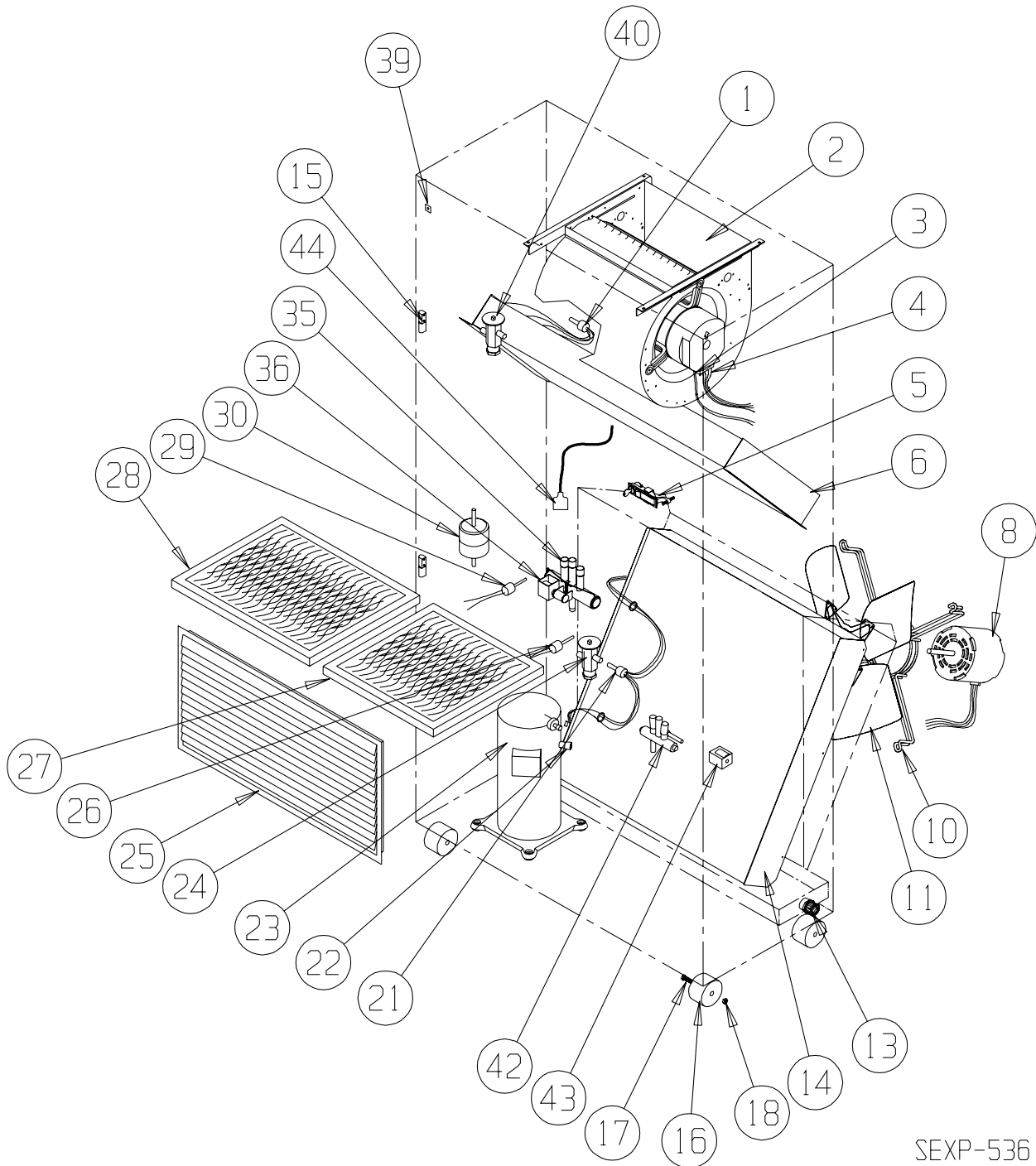
① Exterior cabinet parts are manufactured with various paint color options. To ensure the proper paint color is received, reference the following codes:

Beige -X
 Buckeye Gray -4
 Vinyl – Slate Finish -6
 Vinyl – Platinum Finish -7

This table references exploded view on page 2

This page intentionally left blank

FUNCTIONAL COMPONENTS



SEXP-536 A

This exploded view is referenced in tables on pages 9, 10, 11 and 12

FUNCTIONAL COMPONENTS

Drawing No.	Part No.	Description	Q24H3DA	Q24H3DB	Q24H3DC	Q30H3DA	Q30H3DB	Q30H3DC	Q36H3DA	Q36H3DB	Q36H3DC
1	5625-015	Distributor Cooling	X	X	X	X	X	X			
1	5625-020	Distributor Cooling							X	X	X
2	S900-225-001	Blower Assembly	X	X	X						
2	S900-225-002	Blower Assembly				X	X	X			
2	S900-225-004	Blower Assembly							X	X	X
3	3000-1145	Wire Harness High Voltage			X			X			X
3	3000-1046	Wire Harness High Voltage	X	X		X	X		X	X	
4	3000-1292	Wire Harness Low Voltage	X	X	X	X	X	X	X	X	X
5	1171-049	Keylatch/Circuit Breaker Door	X	X	X	X	X	X	X	X	
6	917-0039BX	Evaporator Coil Assembly	X	X	X						
6	917-0104BX	Evaporator Coil Assembly				X	X	X			
6	917-0040BX	Evaporator Coil Assembly							X	X	X
8	8103-037	Motor	X	X		X	X				
8	8103-038	Motor			X			X			
8	8105-051	Motor							X	X	
8	8105-052	Motor									X
10	8200-001	Motor Mount	X	X	X	X	X	X	X	X	X
11	5151-050	Fan Blade	X	X	X						
11	5151-055	Fan Blade				X	X	X	X	X	X
13	6094-003	Drain Fitting	1	1	1	1	1	1	1	1	1
14	5051-095BX	Condenser Coil	X	X	X						
14	5051-211BX	Condenser Coil				X	X	X	X	X	X
15	5400-005	Hinge	2	2	2	2	2	2	2	2	2
16	1171-035	Wheel	4	4	4	4	4	4	4	4	4
17	1012-129	Bolt – Shoulder	4	4	4	4	4	4	4	4	4
18	1012-224	Nut – Locking	4	4	4	4	4	4	4	4	4
21	5625-008	Distributor – Heating	X	X	X						
21	5625-010	Distributor – Heating				X	X	X	X	X	X
22	8620-224	Defrost Sensor	X	X	X	X	X	X	X	X	X
23	8000-314	Compressor	X								
23	8000-315	Compressor		X							
23	8000-316	Compressor			X						
23	8000-346	Compressor				X					
23	8000-347	Compressor					X				
23	8000-348	Compressor						X			
23	8000-278	Compressor							X		
23	8000-283	Compressor								X	
23	8000-342	Compressor									X
24	5651-191	TXV Heating	X	X	X						
24	5651-177	TXV Heating				X	X	X			
24	5651-178	TXV Heating							X	X	X

Continued on page 10

FUNCTIONAL COMPONENTS

Drawing No.	Part No.	Description	Q24H3DA	Q24H3DB	Q24H3DC	Q30H3DA	Q30H3DB	Q30H3DC	Q36H3DA	Q36H3DB	Q36H3DC
<i>Continued from page 9</i>											
25	7051-034	Return Air Grille	X	X	X	X	X	X	X	X	X
25	7051-061	Return Air Grille (Vinyl)	X	X	X	X	X	X	X	X	X
26	1804-0462	High Pressure Control	X	X	X	X	X	X	X	X	X
27	7004-009	Air Filter	X	X	X	X	X	X	X	X	X
27	7004-032	Filter 2" Fiberglass (Optional)	X	X	X	X	X	X	X	X	X
27	7004-034	Filter 2" Pleated (Optional)	X	X	X	X	X	X	X	X	X
28	7004-010	Air Filter	X	X	X	X	X	X	X	X	X
28	7004-033	Filter 2" Fiberglass (Optional)	X	X	X	X	X	X	X	X	X
28	7004-035	Filter 2" Pleated (Optional)	X	X	X	X	X	X	X	X	X
29	1804-0107	Low Pressure Control	X	X	X	X	X	X	X	X	X
30	5201-009	Filter/Drier	X	X	X	X	X				
30	5201-010	Filter/Drier							X	X	X
35	5650-038	Reversing Valve with Solenoid	X	X	X						
35	5650-039	Reversing Valve with Solenoid				X	X	X			
35	5650-040	Reversing Valve with Solenoid							X	X	X
36	5650-042	Rev. Valve Solenoid, Red Casing (Ranco)	X	X	X	X	X	X	X	X	X
36	5650-043	Rev. Valve Solenoid, Black Casing (Wilspec)	X	X	X	X	X	X	X	X	X
36	5650-046	Rev. Valve Solenoid, Black Casing (San Hua)	X	X	X	X	X	X	X	X	X
39	1012-315	"U" Clip Fastener	10	10	10	10	10	10	10	10	10
40	5651-191	TXV Cooling	X	X	X						
40	5651-177	TXV Cooling				X	X	X	X	X	X
42	5650-045	Three Way Valve with Solenoid	X	X	X	X	X	X	X	X	X
43	5650-042	Rev. Valve Solenoid, Red Casing (Ranco)	X	X	X	X	X	X	X	X	X
43	5650-043	Rev. Valve Solenoid, Blk Casing (Wilspec)	X	X	X	X	X	X	X	X	X
43	5650-046	Rev. Valve Solenoid, Blk Casing (San Hua)	X	X	X	X	X	X	X	X	X
44	5650-037	Molded Plug 3/8" Lead	2	2	2	2	2	2	2	2	2
NS	CMA-28	Low Ambient Control	X	X	X	X	X	X	X	X	X
NS	4100-122	Unit Wiring Diagram	X			X			X		
NS	4100-222	Unit Wiring Diagram		X			X			X	
NS	4100-322	Unit Wiring Diagram			X			X			X
NS	800-0396	Drain Back Tube Assembly	X	X	X	X	X	X	X	X	X
NS	8002-012	Sound Cover	X	X	X	X	X	X	X	X	X
NS	3000-1290	Compressor Wire Harness	X			X			X		
NS	3000-1291	Compressor Wire Harness		X	X		X	X		X	X
NS	5651-146	Check Valve	X	X	X	X	X	X	X	X	X
NS	6031-009	Coremax Valve Core	X	X	X	X	X	X	X	X	X

NS = Not Shown

This table references exploded view on page 8

FUNCTIONAL COMPONENTS

Drawing No.	Part No.	Description	Q43H3DA	Q43H3DB	Q43H3DC	Q48H3DA	Q48H3DB	Q48H3DC	Q60H3DA	Q60H3DB	Q60H3DC
1	5625-022	Cooling Distributor	X	X	X	X	X	X	X	X	X
1	5625-019	Cooling Distributor							X	X	X
2	S900-225-005	Blower Assembly				X	X	X			
2	S900-254-001	Blower Assembly							X	X	X
2	S900-225-004	Blower Assembly	X	X	X						
3	3000-1145	Wire Harness High Voltage			X			X			X
3	3000-1046	Wire Harness High Voltage	X	X		X	X		X	X	
4	3000-1292	Wire Harness Low Voltage	X	X	X	X	X	X	X	X	X
5	1171-049	Keylatch/Circuit Breaker Door	X	X	X	X	X	X	X	X	X
6	917-0041BX	Evaporator Coil	X	X	X	X	X	X			
6	917-0069BX	Evaporator Coil							X	X	X
8	8105-051	Motor	X	X							
8	8105-052	Motor			X						
8	8106-047	ECM Motor				X	X	X	X	X	X
10	8200-001	Motor Mount	X	X	X	X	X	X	X	X	X
11	5151-055	Fan Blade	X	X	X	X	X	X	X	X	X
13	6094-003	Drain Fitting	2	2	2	2	2	2	2	2	2
14	5051-210BX	Condenser Coil 28 x 36	X	X	X	X	X	X	X	X	X
NS	5051-161BX	Condenser Coil 8 x 36							X	X	X
15	5400-005	Hinge	2	2	2	2	2	2	2	2	2
16	1171-035	Wheel	4	4	4	4	4	4	4	4	4
17	1012-129	Bolt – Shoulder	4	4	4	4	4	4	4	4	4
18	1012-224	Nut – Locking	4	4	4	4	4	4	4	4	4
21	5625-024	Distributor – Heating	X	X	X	X	X	X	X	X	X
22	8620-224	Defrost Sensor	X	X	X	X	X	X	X	X	X
23	8000-362	Compressor	X								
23	8000-363	Compressor		X							
23	8000-364	Compressor			X						
23	8000-343	Compressor				X					
23	8000-344	Compressor					X				
23	8000-345	Compressor						X			
23	8000-421	Compressor							X		
23	8000-422	Compressor								X	
23	8000-423	Compressor									X
24	5651-178	TXV Heating	X	X	X	X	X	X			
24	5651-184	TXV Heating							X	X	X
25	7051-039	Return Air Grille	X	X	X	X	X	X	X	X	X
25	7051-063	Return Air Grille (Vinyl)	X	X	X	X	X	X	X	X	X
26	1804-0462	High Pressure Control	X	X	X	X	X	X	X	X	X
27	7004-009	Air Filter	X	X	X	X	X	X	X	X	X
27	7004-032	Filter 2" Fiberglass (Optional)	X	X	X	X	X	X	X	X	X
27	7004-034	Filter 2" Pleated (Optional)	X	X	X	X	X	X	X	X	X
28	7004-011	Air Filter	X	X	X	X	X	X	X	X	X
28	7004-036	Filter 2" Fiberglass (Optional)	X	X	X	X	X	X	X	X	X
28	7004-025	Filter 2" Pleated (Optional)	X	X	X	X	X	X	X	X	X

Continued on page 12

This table references exploded view on page 8

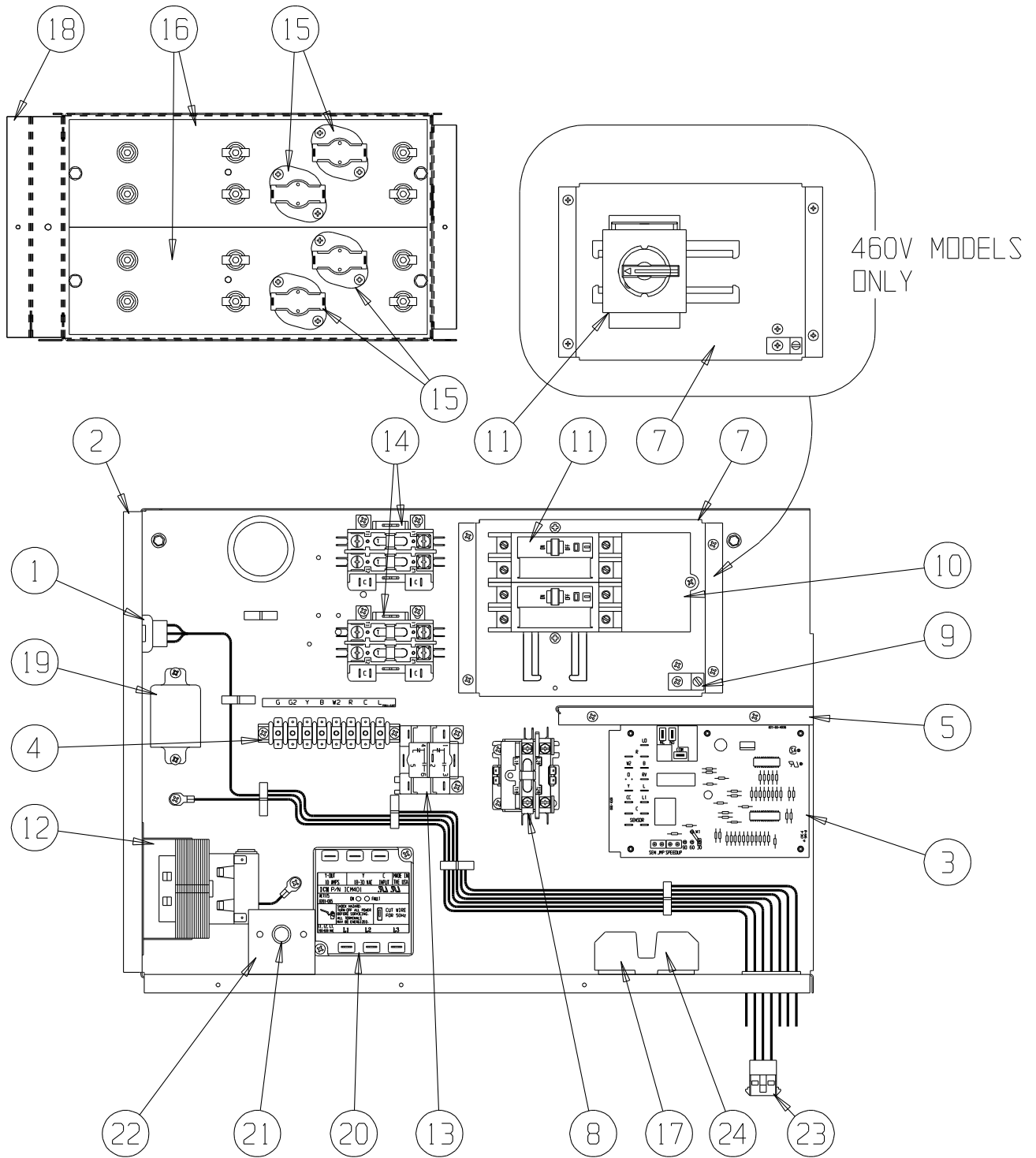
FUNCTIONAL COMPONENTS

Drawing No.	Part No.	Description	Q43H3DA	Q43H3DB	Q43H3DC	Q48H3DA	Q48H3DB	Q48H3DC	Q60H3DA	Q60H3DB	Q60H3DC
<i>Continued from page 11</i>											
29	1804-0107	Low Pressure Control	X	X	X	X	X	X	X	X	X
30	5201-010	Filter/Drier	X	X	X	X	X	X	X	X	X
35	5650-040	Reversing Valve	X	X	X	X	X	X	X	X	X
36	5650-042	Rev. Valve Solenoid, Red Casing (Ranco)	X	X	X	X	X	X	X	X	X
36	5650-043	Rev. Valve Solenoid, Black Casing (Wilspec)	X	X	X	X	X	X	X	X	X
36	5650-046	Rev. Valve Solenoid, Black Casing (San Hua)	X	X	X	X	X	X	X	X	X
39	1012-315	"U" Clip Fastener	10	10	10	10	10	10	10	10	10
40	5651-178	TXV Cooling	X	X	X	X	X	X			
40	5651-211	TXV Cooling							X	X	X
42	5650-045	Three Way Valve with Solenoid	X	X	X	X	X	X	X	X	X
43	5650-042	Rev. Valve Solenoid, Red Casing (Ranco)	X	X	X	X	X	X	X	X	X
43	5650-043	Rev. Valve Solenoid, Black Casing (Wilspec)	X	X	X	X	X	X	X	X	X
43	5650-046	Rev. Valve Solenoid, Black Casing (San Hua)	X	X	X	X	X	X	X	X	X
44	5650-037	Molded Plug 36" Lead	X	X	X	X	X	X	X	X	X
NS	CMA-28	Low Ambient Control	X	X	X	X	X	X	X	X	X
NS	5202-026	Suction Accumulator							X	X	X
NS	8002-012	Sound Cover	X	X	X	X	X	X	X	X	X
NS	3000-1290	Compressor Wire Harness	X			X			X		
NS	3000-1291	Compressor Wire Harness		X	X		X	X		X	X
NS	4100-122	Unit Wiring Diagram	X			X					
NS	4100-222	Unit Wiring Diagram		X			X				
NS	4100-322	Unit Wiring Diagram			X			X			
NS	4100-124	Unit Wiring Diagram							X		
NS	4100-224	Unit Wiring Diagram								X	
NS	4100-324	Unit Wiring Diagram									X
NS	5651-146	Check Valve	X	X	X	X	X	X	X	X	X
NS	6031-009	Coremax Valve Core	X	X	X	X	X	X	X	X	X

NS = Not Shown

This table references exploded view on page 8

UPPER CONTROL PANEL COMPONENTS



SEXP-373 B

This layout view is referenced in tables on pages 14, 15, 16, 17, 18 and 19

UPPER CONTROL PANEL COMPONENTS

Drawing No.	Part No.	Description	Q24H3DA0Z	Q30H3DA0Z	Q36H3DA0Z	Q43H3DA0Z	Q48H3DA0Z	Q60H3DA0Z	Q24H3DA05	Q30H3DA05	Q36H3DA05	Q43H3DA05	Q48H3DA05	Q60H3DA05
1	3000-1293	Wire Set PL2	X	X	X	X	X	X	X	X	X	X	X	X
2	117-241	Control Panel	X	X	X	X	X	X	X	X	X	X	X	X
3	8620-223	Heat Pump Control	X	X	X	X	X	X	X	X	X	X	X	X
4	8607-022	Terminal Block	X	X	X	X	X	X	X	X	X	X	X	X
5	117-242	Box Partition	X	X	X	X	X	X	X	X	X	X	X	X
7	126-267	Circuit Breaker Base	X	X	X	X	X	X	X	X	X	X	X	X
8	8401-006	Contactor	X	X	X				X	X				
8	8401-025	Contactor					X	X					X	X
9	8611-006	Ground Lug	X	X	X	X	X	X	X	X	X	X	X	X
10	8615-047	Jumper Bar Base											X	X
11	8615-036	Circuit Breaker 2 Pole 25A Ckt B											X	X
11	8615-037	Circuit Breaker 2 Pole 30A Ckt A	X											
11	8615-039	Circuit Breaker 2 Pole 45A Ckt A		X										
11	8615-040	Circuit Breaker 2 Pole 50A Ckt A			X	X			X				X	
11	8615-041	Circuit Breaker 2 Pole 60A Ckt A					X				X			X
12	8407-048	Transformer	X	X	X	X	X	X	X	X	X	X	X	X
14	8401-006	Contactor							X	X	X	X	X	X
14	8401-025	Contactor												
15	8402-100	Limits							1	1	1			
15	8402-131	Limits												X
16	8601-103	Heat Strip 5KW							X	X	X	X	X	X
18	116-191	Heat Strip Wrapper							X	X	X	X	X	X
19	8201-048	Relay							X	X	X	X	X	X
21	8611-094	Indicator Light	X	X	X	X	X	X	X	X	X	X	X	X
22	112-225	Bracket	X	X	X	X	X	X	X	X	X	X	X	X
23	3000-1148	Wire Set PL3	X	X	X	X	X	X	X	X	X	X	X	X
NS	132-145	Heat Strip Cover							X	X	X	X	X	X
NS	4101-100	Breaker Wiring Diagram	X	X	X	X	X	X						
NS	4101-101	Heat Kit Wiring Diagram							X	X				
NS	4101-106	Heat Kit Wiring Diagram										X	X	

NS = Not Shown

This table references layout view on page 13

UPPER CONTROL PANEL COMPONENTS

Drawing No.	Part No.	Description	Q24H3DA10	Q30H3DA10	Q36H3DA10	Q43H3DA10	Q48H3DA10	Q60H3DA10	Q36H3DA15	Q43H3DA15	Q48H3DA15	Q60H3DA15
1	3000-1293	Wire Set PL2	X	X	X	X	X	X	X	X	X	X
2	117-241	Control Panel	X	X	X	X	X	X	X	X	X	X
3	8620-223	Heat Pump Control	X	X	X	X	X	X	X	X	X	X
4	8607-022	Terminal Block	X	X	X	X	X	X	X	X	X	X
5	117-242	Box Partition	X	X	X	X	X	X	X	X	X	X
7	126-267	Circuit Breaker Base	X	X	X	X	X	X	X	X	X	X
8	8401-006	Contactor	X	X					X			
8	8401-025	Contactor					X	X			X	X
9	8611-006	Ground Lug	X	X	X	X	X	X	X	X	X	X
10	8615-047	Jumper Bar Base	X	X	X	X	X	X	X	X	X	X
11	8615-037	Circuit Breaker 2 Pole 30A Ckt A	X						X	X		
11	8615-055	Circuit Breaker 2 Pole 40A Ckt A		X								
11	8615-040	Circuit Breaker 2 Pole 50A Ckt A			X							
11	8615-040	Circuit Breaker 2 Pole 50A Ckt B	X	X	X	X	X	X	X	X	X	X
11	8615-041	Circuit Breaker 2 Pole 60A Ckt A					X					X
12	8407-048	Transformer	X	X	X	X	X	X	X	X	X	X
14	8401-006	Contactor							X	X	X	X
14	8401-025	Contactor	X	X	X	X	X	X	X	X	X	X
15	8402-100	Limits	2	2	2				3	3		
15	8402-131	Limits					2					3
16	8601-103	Heat Strip 5 KW							X	X	X	X
16	8601-104	Heat Strip 10 KW	X	X	X	X	X	X	X	X	X	X
18	116-191	Heat Strip Wrapper									X	X
19	8201-048	Relay	X	X	X	X	X	X	X	X	X	X
21	8611-094	Indicator Light	X	X	X	X	X	X	X	X	X	X
22	112-225	Bracket	X	X	X	X	X	X	X	X	X	X
23	3000-1148	Wire Set PL3	X	X	X	X	X	X	X	X	X	X
NS	132-145	Heat Strip Cover	X	X	X	X	X	X	X	X	X	X
NS	4101-102	Breaker Wiring Diagram	X	X	X	X	X					
NS	4101-103	Heat Kit Wiring Diagram							X	X	X	

NS = Not Shown

This table references layout view on page 13

UPPER CONTROL PANEL COMPONENTS

Drawing No.	Part No.	Description	Q24H3DB0Z	Q30H3DB0Z	Q36H3DB0Z	Q43H3DB0Z	Q48H3DB0Z	Q60H3DB0Z	Q24H3DB06	Q30H3DB06	Q36H3DB06	Q43H3DB06	Q48H3DB06
1	3000-1293	Wire Set PL2	X	X	X	X	X	X	X	X	X	X	X
2	117-241	Control Panel	X	X	X	X	X	X	X	X	X	X	X
3	8620-223	Heat Pump Control	X	X	X	X	X	X	X	X	X	X	X
4	8607-022	Terminal Block	X	X	X	X	X	X	X	X	X	X	X
5	117-242	Box Partition	X	X	X	X	X	X	X	X	X	X	X
7	126-267	Circuit Breaker Base	X	X	X	X	X	X	X	X	X	X	X
8	8401-002	Contactors	X	X	X	X	X	X	X	X	X	X	X
9	8611-006	Ground Lug	X	X	X	X	X	X	X	X	X	X	X
11	8615-054	Circuit Breaker 3 Pole 20A	X										
11	8615-051	Circuit Breaker 3 Pole 25A		X									
11	8615-052	Circuit Breaker 3 Pole 30A			X								
11	8615-042	Circuit Breaker 3 Pole 35A				X		X					
11	8615-043	Circuit Breaker 3 Pole 40A							X				
11	8615-044	Circuit Breaker 3 Pole 45A					X					X	
12	8407-048	Transformer	X	X	X	X	X	X	X	X	X	X	X
14	8401-002	Contactors							X	X	X	X	X
15	8402-100	Limits							2	2	2	2	2
16	8601-105	Heat Strip 6 KW							X	X	X	X	X
18	116-191	Heat Strip Wrapper							X	X	X	X	X
19	8201-048	Relay							X	X	X	X	X
20	8201-126	3-Phase Line Monitor 50/60 Hz	X	X	X	X	X	X	X	X	X	X	X
21	8611-094	Indicator Light	X	X	X	X	X	X	X	X	X	X	X
22	112-225	Bracket	X	X	X	X	X	X	X	X	X	X	X
23	3000-1148	Wire Set PL3	X	X	X	X	X	X	X	X	X	X	X
NS	132-145	Heat Strip Cover							X	X	X	X	X
NS	4101-200	Breaker Wiring Diagram	X	X	X	X	X						
NS	4101-201	Heat Kit Wiring Diagram							X	X	X	X	X

NS = Not Shown

This table references layout view on page 13

UPPER CONTROL PANEL COMPONENTS

Drawing No.	Part No.	Description	Q24H3DB09	Q30H3DB09	Q36H3DB09	Q43H3DB09	Q48H3DB09	Q60H3DB09	Q30H3DB12	Q36H3DB15	Q43H3DB15	Q48H3DB15	Q60H3DB15
1	3000-1293	Wire Set PL2	X	X	X	X	X	X	X	X	X	X	X
2	117-241	Control Panel	X	X	X	X	X	X	X	X	X	X	X
3	8620-223	Heat Pump Control	X	X	X	X	X	X	X	X	X	X	X
4	8607-022	Terminal Block	X	X	X	X	X	X	X	X	X	X	X
5	117-242	Box Partition	X	X	X	X	X	X	X	X	X	X	X
7	126-267	Circuit Breaker Base	X	X	X	X	X	X	X	X	X	X	X
8	8401-002	Contactors	X	X	X	X	X	X	X	X	X	X	X
9	8611-006	Ground Lug	X	X	X	X	X	X	X	X	X	X	X
11	8615-044	Circuit Breaker 3 Pole 45A	X										
11	8615-045	Circuit Breaker 3 Pole 50A		X									
11	8615-046	Circuit Breaker 3 Pole 60A			X	X	X	X	X	X	X	X	X
12	8407-048	Transformer	X	X	X	X	X	X	X	X	X	X	X
14	8401-002	Contactors	X	X	X	X	X	2	2	2	2	2	2
15	8402-100	Limits	2	2	2			4	4	4	4	4	4
15	8402-131	Limits					2						4
16	8601-105	Heat Strip 6 KW						2	X	X	X	X	X
16	8604-106	Heat Strip 9 KW	X	X	X	X	X		X	X	X	X	X
18	116-191	Heat Strip Wrapper	X	X	X	X	X	X	X	X	X	X	X
19	8201-048	Relay	X	X	X	X	X	X	X	X	X	X	X
20	8201-126	3-Phase Line Monitor 50/60 Hz	X	X	X	X	X	X	X	X	X	X	X
21	8611-094	Indicator Light	X	X	X	X	X	X	X	X	X	X	X
22	112-225	Bracket	X	X	X	X	X	X	X	X	X	X	X
23	3000-1148	Wire Set PL3	X	X	X	X	X	X	X	X	X	X	X
NS	132-145	Heat Strip Cover	X	X	X	X	X	X	X	X	X	X	X
NS	4101-201	Heat Kit Wiring Diagram	X	X	X	X	X						
NS	4101-202	Heat Kit Wiring Diagram								X	X	X	X
NS	4101-203	Heat Kit Wiring Diagram						X					

NS = Not Shown

This table references layout view on page 13

UPPER CONTROL PANEL COMPONENTS

Drawing No.	Part No.	Description	Q24H3DC0Z	Q30H3DC0Z	Q36H3DC0Z	Q43H3DC0Z	Q48H3DC0Z	Q60H3DC0Z	Q24H3DC06	Q30H3DC06	Q36H3DC06	Q43H3DC06	Q48H3DC06
1	3000-1293	Wire Set PL2	X	X	X				X	X	X		
2	117-241	Control Panel	X	X	X				X	X	X		
3	8620-223	Heat Pump Control	X	X	X				X	X	X		
4	8607-022	Terminal Block	X	X	X				X	X	X		
5	117-242	Box Partition	X	X	X				X	X	X		
7	126-323	Rotary Disconnect Base	X	X	X				X	X	X		
8	8401-002	Contactor	X	X	X				X	X	X		
9	8611-006	Ground Lug	X	X	X				X	X	X		
11	8615-068	Rotary Disconnect	X	X	X				X	X	X		
12	8407-050	Transformer	X	X	X				X	X	X		
13	8201-032	Relay OMR	X	X	X				X	X	X		
14	8401-002	Contactor 3 Pole 25A	X	X	X				X	X	X		
15	8402-100	Limits									2		
16	8604-107	Heat Strip 6 KW 480V									X		
17	8614-041	Fuse Holder	X	X	X				X	X	X		
18	116-191	Heat Strip Wrapper									X		
19	8201-048	Relay									X		
20	8201-126	3-Phase Line Monitor 50/60 Hz	X	X	X				X	X	X		
21	8611-094	Indicator Light	X	X	X				X	X	X		
22	112-225	Bracket	X	X	X				X	X	X		
23	3000-1148	Wire Set PL3	X	X	X				X	X	X		
NS	8407-052	Transformer Stepdown 1.0 KVA	X								X		
NS	8407-053	Transformer Stepdown 1.5 KVA	X	X					X	X	X		
NS	8407-054	Transformer Stepdown 2.0 KVA							X				
NS	8614-046	Fuses Class CC 5.0A ①	2								2		
NS	8614-047	Fuses Class CC 3.2A ②	2	2							2		
NS	8614-042	Fuses Class CC 7.0A ③							2				
NS	132-145	Heat Strip Cover	X	X	X				X	X	X		
NS	8615-071	Pull Disconnect Handle	X	X	X				X	X	X		
NS	4101-300	Heat Kit Wiring Diagram	X	X					X	X			
NS	4101-301	Heat Kit Wiring Diagram										X	

NS = Not Shown

① 5.0 Amp fuses used with 1.5 KVA transformer

② 3.2 Amp fuses used with 1 KVA transformer

③ 7.0 Amp fuses used with 2 KVA transformer

This table references layout view on page 13

UPPER CONTROL PANEL COMPONENTS

Drawing No.	Part No.	Description	Q24H3DC09	Q30H3DC09	Q36H3DC09	Q43H3DC09	Q48H3DC09	Q60H3DC09	Q30H3DC12	Q36H3DC15	Q43H3DC15	Q48H3DC15	Q60H3DC15
1	3000-1293	Wire Set PL2	X					X	X	X	X	X	X
2	117-241	Control Panel	X					X	X	X	X	X	X
3	8620-223	Heat Pump Control	X					X	X	X	X	X	X
4	8607-022	Terminal Block	X					X	X	X	X	X	X
5	117-242	Box Partition	X					X	X	X	X	X	X
7	126-323	Rotary Disconnect Base	X					X	X	X	X	X	X
8	8401-002	Contactor	X					X	X	X	X	X	X
9	8611-006	Ground Lug	X					X	X	X	X	X	X
11	8615-068	Rotary Disconnect	X					X	X	X	X	X	X
12	8407-050	Transformer	X					X	X	X	X	X	X
13	8201-032	Relay OMR	X					X	X	X	X	X	X
14	8401-002	Contactor 3 Pole 25A	X					X	X	X	X	X	X
15	8402-100	Limits	2						4		4		
15	8402-131	Limits						2					4
16	8604-107	Heat Strip 6 KW 480V							2	X			X
16	8604-108	Heat Strip 9 KW 480V	X					X					
17	8614-041	Fuse Holder	X					X	X	X	X	X	X
18	116-191	Heat Strip Wrapper	X					X	X	X	X	X	X
19	8201-048	Relay	X					X	X	X	X	X	X
20	8201-085	Phase Monitor	X					X	X	X	X	X	X
21	8611-094	Indicator Light	X					X	X	X	X	X	X
22	112-225	Bracket	X					X	X	X	X	X	X
23	3000-1148	Wire Set PL3	X					X	X	X	X	X	X
NS	8407-052	Transformer Stepdown 1.0 KVA	X						X	X			
NS	8407-053	Transformer Stepdown 1.5 KVA	X					X	X	X	X		X
NS	8407-054	Transformer Stepdown 2.0 KVA						X					X
NS	8614-046	Fuses Class CC 5.0A ①	2					2	2	2	2		2
NS	8614-047	Fuses Class CC 3.2A ②	2						2		2		
NS	8614-042	Fuses Class CC 7.0A ③						2					2
NS	132-145	Heat Strip Cover	X					X	X	X	X	X	X
NS	8615-071	Rotary Disconnect Handle	X					X	X	X	X		X
NS	4101-301	Heat Kit Wiring Diagram	X					X					
NS	4101-302	Heat Kit Wiring Diagram								X			X
NS	4101-303	Heat Kit Wiring Diagram							X				

NS = Not Shown

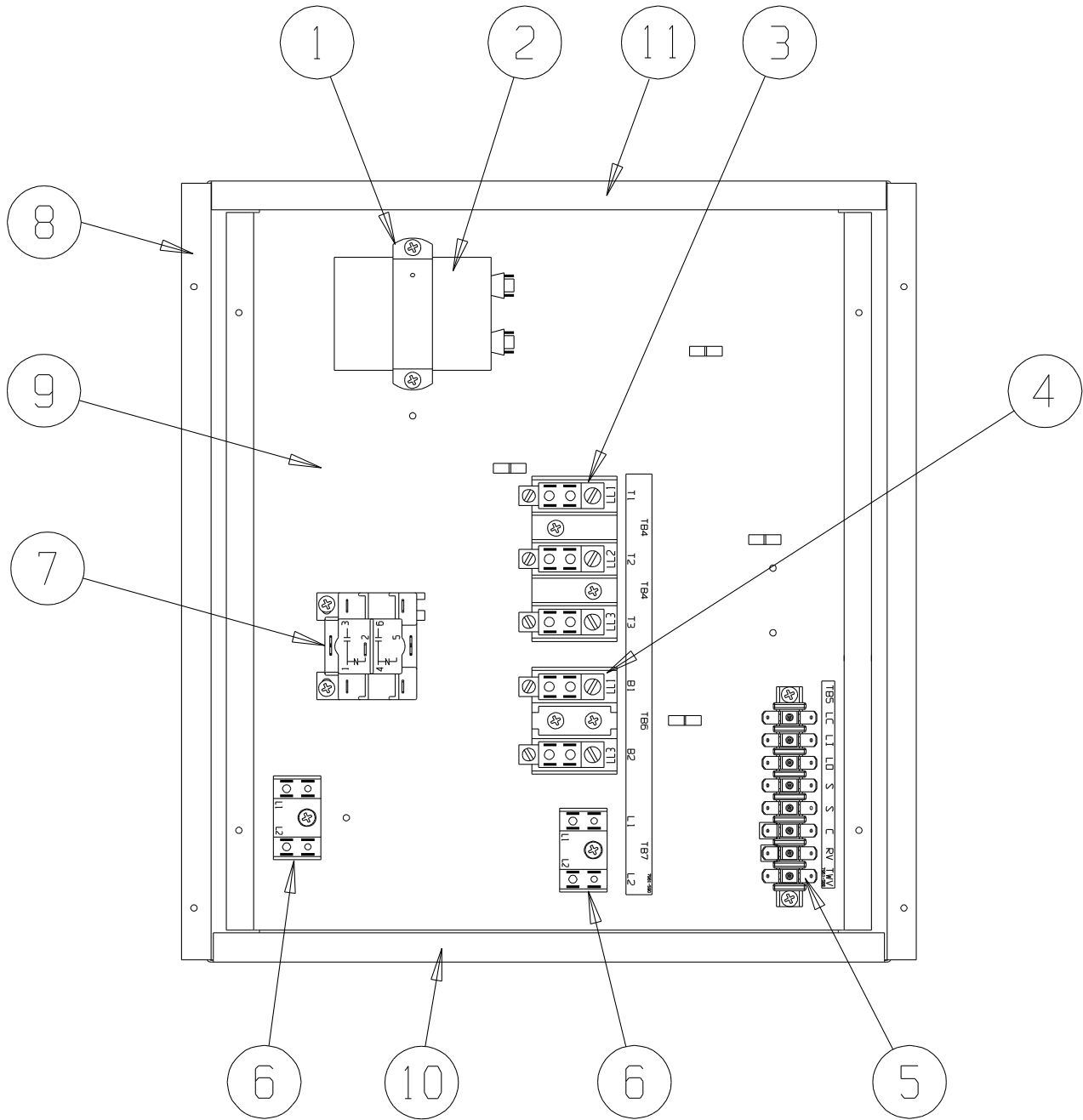
① 5.0 Amp fuses used with 1.5 KVA transformer

② 3.2 Amp fuses used with 1 KVA transformer

③ 7.0 Amp fuses used with 2 KVA transformer

This table references layout view on page 13

LOWER CONTROL PANEL COMPONENTS

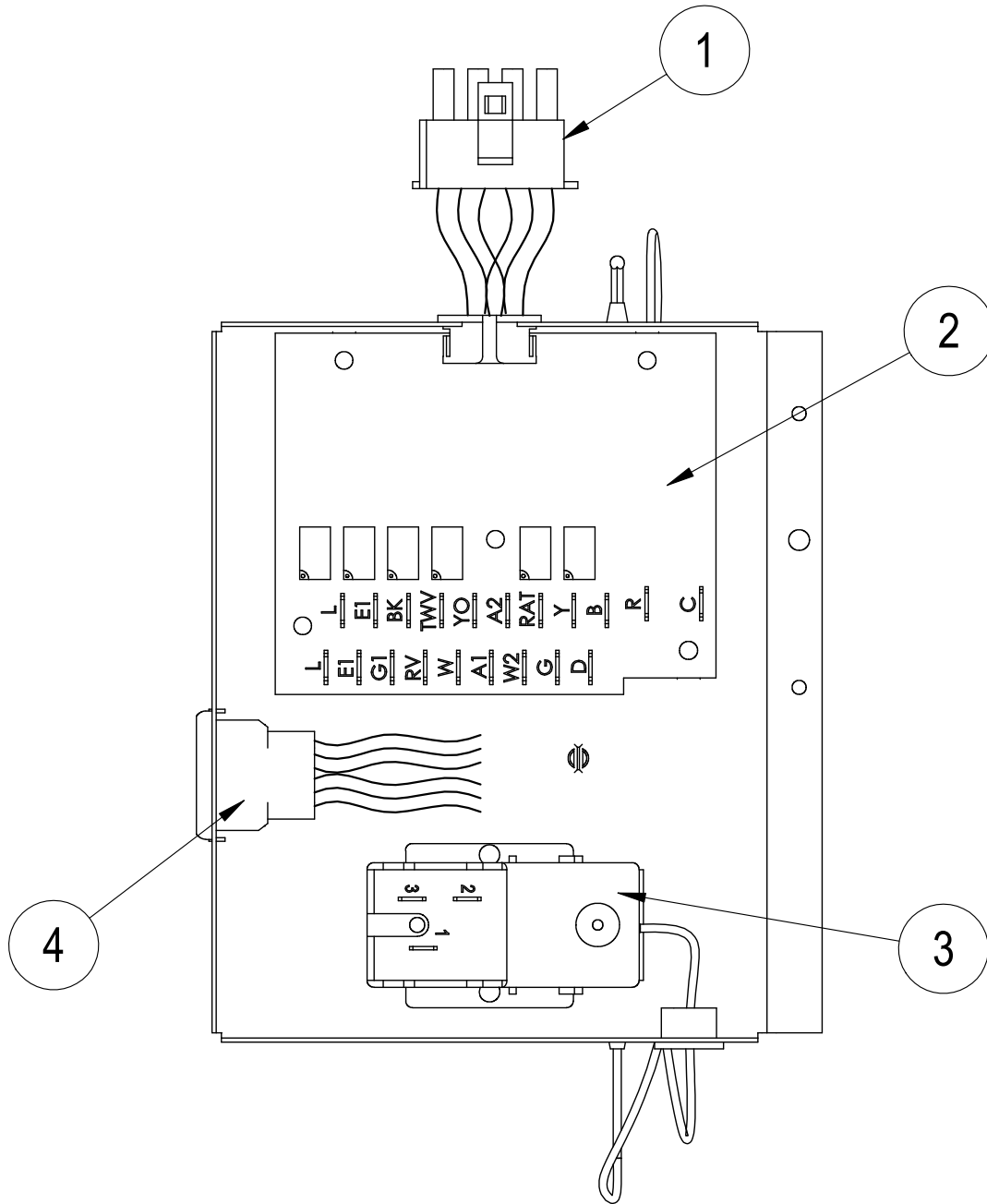


SEXP-374 A

LOWER CONTROL PANEL COMPONENTS

Drawing No.	Part No.	Description	Q24H3DA	Q30H3DA	Q36H3DA	Q43H3DA	Q48H3DA	Q60H3DA	Q24H3DB	Q30H3DB	Q36H3DB	Q43H3DB	Q48H3DB	Q60H3DB	Q24H3DC	Q30H3DC	Q36H3DC	Q43H3DC	Q48H3DC	Q60H3DC	
1	8550-008	Capacitor Strap	X	X	X	X	X	X													
1	8550-003	Capacitor Strap							X							X					
2	8552-002	Fan Capacitor							X							X					
2	8552-050	Compressor Capacitor	X																		
2	8552-052	Compressor Capacitor		X	X	X															
2	8552-081	Compressor Capacitor					X	X													
3	8607-014	Terminal Block 3 Terminal							X		X				X		X				X
4	8607-013	Terminal Block 2 Terminal	X	X	X	X	X	X								X					X
5	8607-022	Terminal Block 8 Pos	X	X	X	X	X	X	X	X	X	X	X	X	X	X	X	X	X	X	X
6	8607-017	Terminal Block 2 Terminal	X	X	X	X	X	X	X	X	X	X	X	X	X	X	X	X	X	X	X
7	8201-032	Low Ambient Bypass Relay (Optional)	X	X	X	X	X	X	X	X	X	X	X	X	X	X	X	X	X	X	X
8	117-239	Lower Control Panel	X	X	X	X	X	X	X	X	X	X	X	X	X	X	X	X	X	X	X
9	117-240	Lower Control Panel Plate	X	X	X	X	X	X	X	X	X	X	X	X	X	X	X	X	X	X	X
10	117-238	Lower Control Panel Bottom	X	X	X	X	X	X	X	X	X	X	X	X	X	X	X	X	X	X	X
11	117-237	Lower Control Panel Top	X	X	X	X	X	X	X	X	X	X	X	X	X	X	X	X	X	X	X

DEHUMIDIFICATION MODULE COMPONENTS

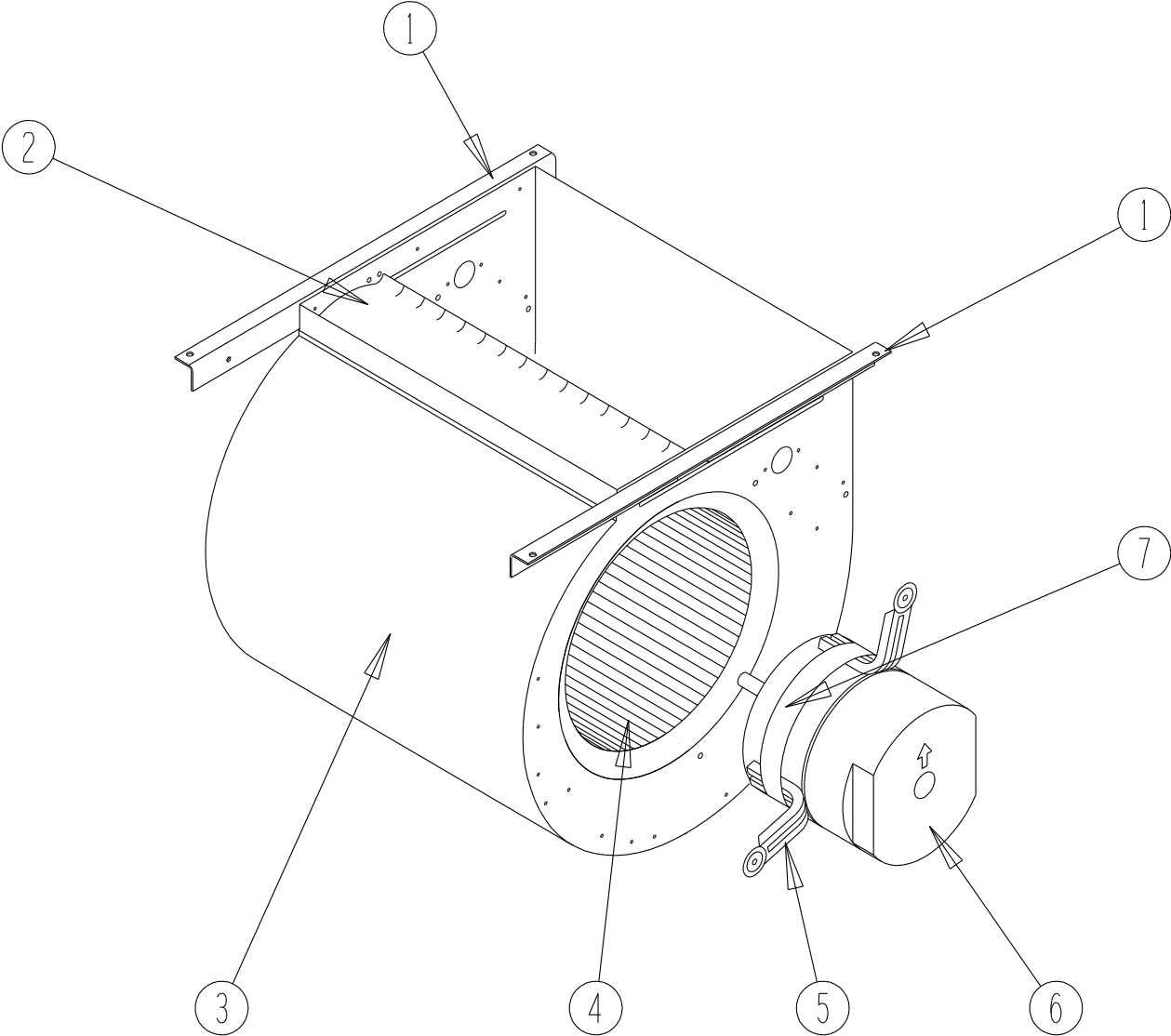


SEXP-418

DEHUMIDIFICATION MODULE COMPONENTS

Drawing No.	Part No.	Description	Options X, E, G, F
1	3000-1295	Wire Harness Male	X
2	8201-113	Logic Board	X
3	8408-037	Return Air Thermostat	X
4	3000-1296	Wire Harness Female	X

BLOWER ASSEMBLY COMPONENTS

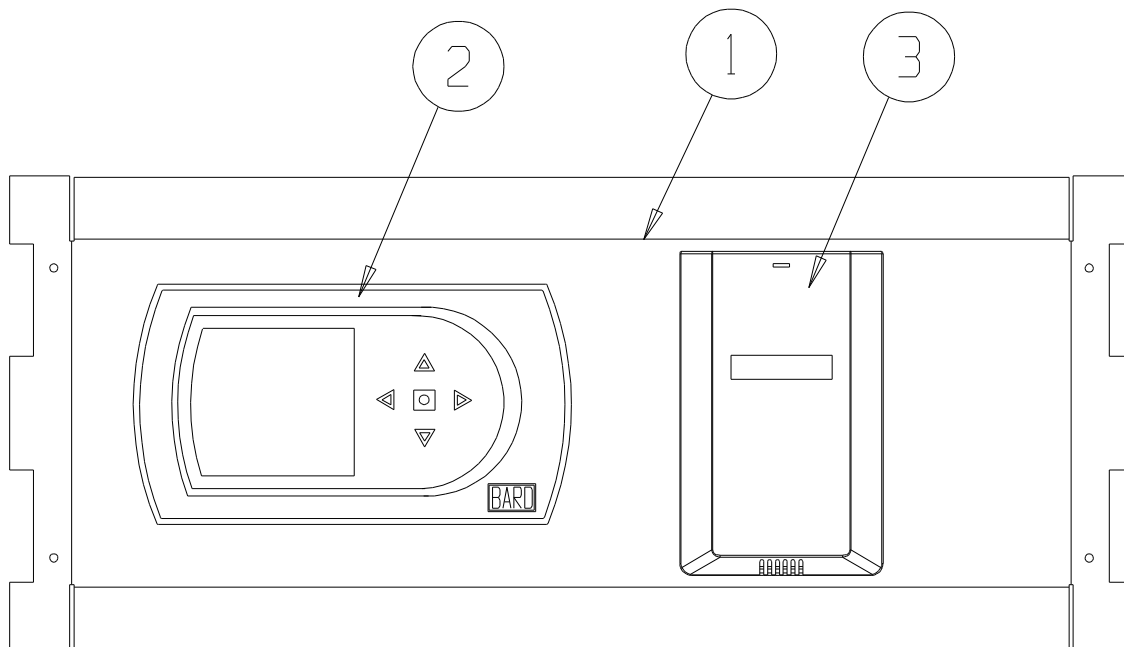


SEXP-245

BLOWER ASSEMBLY COMPONENTS

Drawing No.	Part No.	Description	900-255-001	900-225-002	900-225-004	900-225-005	900-254-001
1	104-980	Blower Angle	2	2	2	2	2
2	144-131	Diffuser	X	X	X	X	X
3	151-110	Blower Housing	X	X	X	X	X
4	5152-061	Blower Wheel	X	X	X	X	X
5	8620-034	Motor Mount Kit	1	1	1	1	1
6	S8106-051-0003B	1/2 HP ECM Motor with Programmed Control	X				
6	C8106-051-0003B	Programmed Motor Control - Only	X				
6	S8106-051-0004A	1/2 HP ECM Motor with Programmed Control		X			
6	C8106-051-0004A	Programmed Motor Control - Only		X			
6	S8106-051-0005B	1/2 HP ECM Motor with Programmed Control			X		
6	C8106-051-0005B	Programmed Motor Control - Only			X		
6	S8106-051-0013A	1/2 HP ECM Motor with Programmed Control				X	
6	C8106-051-0013A	Programmed Motor Control - Only				X	
6	S8107-016-0024B	3/4 HP ECM Motor with Programmed Control					X
6	C8107-016-0024B	Programmed Motor Control - Only					X
7	8620-034	Motor Mount	X	X	X	X	X

OPTIONAL CLIMATE CONTROLS



SEXP-0497 A

OPTIONAL CLIMATE CONTROLS

Drawing No.	Part No.	Description	Option X	Option E	Option I	Option J	Option K
1	S127-313-* ①	Thermostat Plate	X				
1	S127-308-* ①	Thermostat Plate		X			
1	S127-372-* ①	Thermostat Plate			X		
1	S127-426-* ①	Thermostat Plate				X	X
2	8403-060	Electronic/Programmable Manual/Auto Changeover		X	X		
2	CS9BE-THO	Temperature, Humidity, Occupancy, BACnet				X	
2	CS9BE-THOC	Temperature, Humidity, Occupancy, BACnet, CO ₂					X
3	8403-067	CO ₂ Sensor			X		
NS	3000-1297	Wire Harness, Low Voltage, Terminal Strip to PL2	X				
NS	3000-1298	Wire Harness, Thermostat to PL2		X			
NS	3000-1300	Wire Harness			X		
NS	8607-019	Low Voltage Terminal Strip	X				
NS	4102-063	Wiring Diagram	X				
NS	4102-064	Wiring Diagram		X			
NS	4102-066	Wiring Diagram			X		
NS	4102-079	Wiring Diagram				X	X

① Exterior cabinet parts are manufactured with various paint color options. To ensure the proper paint color is received, reference the following codes:

- Beige -X
- Buckeye Gray -4
- Vinyl - Slate Finish -6
- Vinyl - Platinum Finish -7

NS Not Shown

CLIMATE CONTROL OPTION NOMENCLATURE AS SHOWN IN UNIT MODEL NUMBER

Q 36 H2 D A 09 X X X X X X

X – None

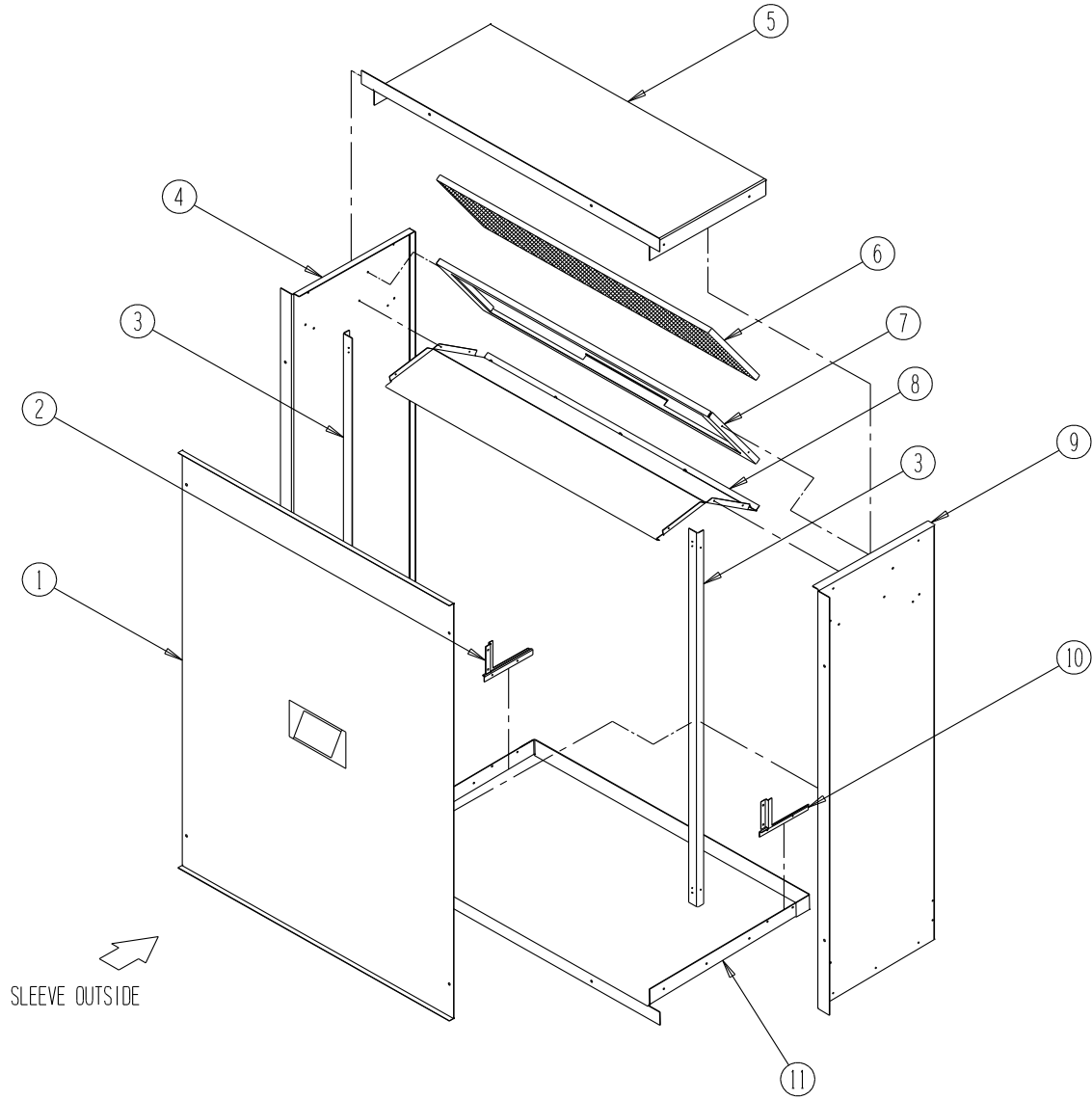
E – Electronic, programmable, manual/auto changeover with humidistat

I – Electronic, programmable, manual/auto changeover with CO₂ controller

J – Electronic, programmable, manual/auto changeover with humidity, occupancy and BACnet

K – Electronic, programmable, manual/auto changeover with humidity, occupancy, CO₂ and BACnet

WALL SLEEVE CABINET COMPONENTS



SEXP-281

WALL SLEEVE CABINET COMPONENTS

Drawing No.	Part No.	Description	QWS42	QWS42-16	QWS48	QWS48-16
1	142-056	Cover	X	X		
1	142-068	Cover			X	X
2	137-450-X	Left Side Seal Angle	X	X	X	X
3	104-988-X	Angle	2	2	2	2
4	111-081-X	Left Side	X		X	
4	111-083-X	Left Side		X		X
5	111-047-X	Top	X			
5	110-050-X	Top		X		
5	110-056-X	Top			X	
5	110-070-X	Top				X
6	7003-044	Mist Eliminator	X	X	X	X
7	131-120-X	Filter Tray	X	X		
7	131-128-X	Filter Tray			X	X
8	121-305-X	Partition	X			
8	121-309-X	Partition		X		
8	121-322-X	Partition			X	
8	121-348-X	Partition				X
9	111-080-X	Right Side	X		X	
9	111-082-X	Right Side		X		X
10	137-449-X	Right Side Seal Angle	X	X		
11	111-046-X	Base	X			
11	111-049-X	Base		X		
11	111-055-X	Base			X	
11	111-071-X	Base				X