
REPLACEMENT PARTS MANUAL

COMMERCIAL ROOM VENTILATOR & FULL FLOW ECONOMIZER

Models:

QWSCRV QWSECON

General Notes

- Revised and/or additional pages may be issued from time to time.
- A complete and current manual consists of pages shown in the following contents section.

Important

- Contact the installing and/or local distributor for all parts requirements. Make sure to have the complete model and serial number available from the unit rating plates.

Contents

| <u>Description</u> | <u>Page</u> |
|-----------------------------------|-------------|
| Functional and Cabinet Components | |
| ♦ Exploded View – QWSCRV | 2 |
| ♦ Exploded View – QWSECON | 3 |
| ♦ Usage List | 4 |



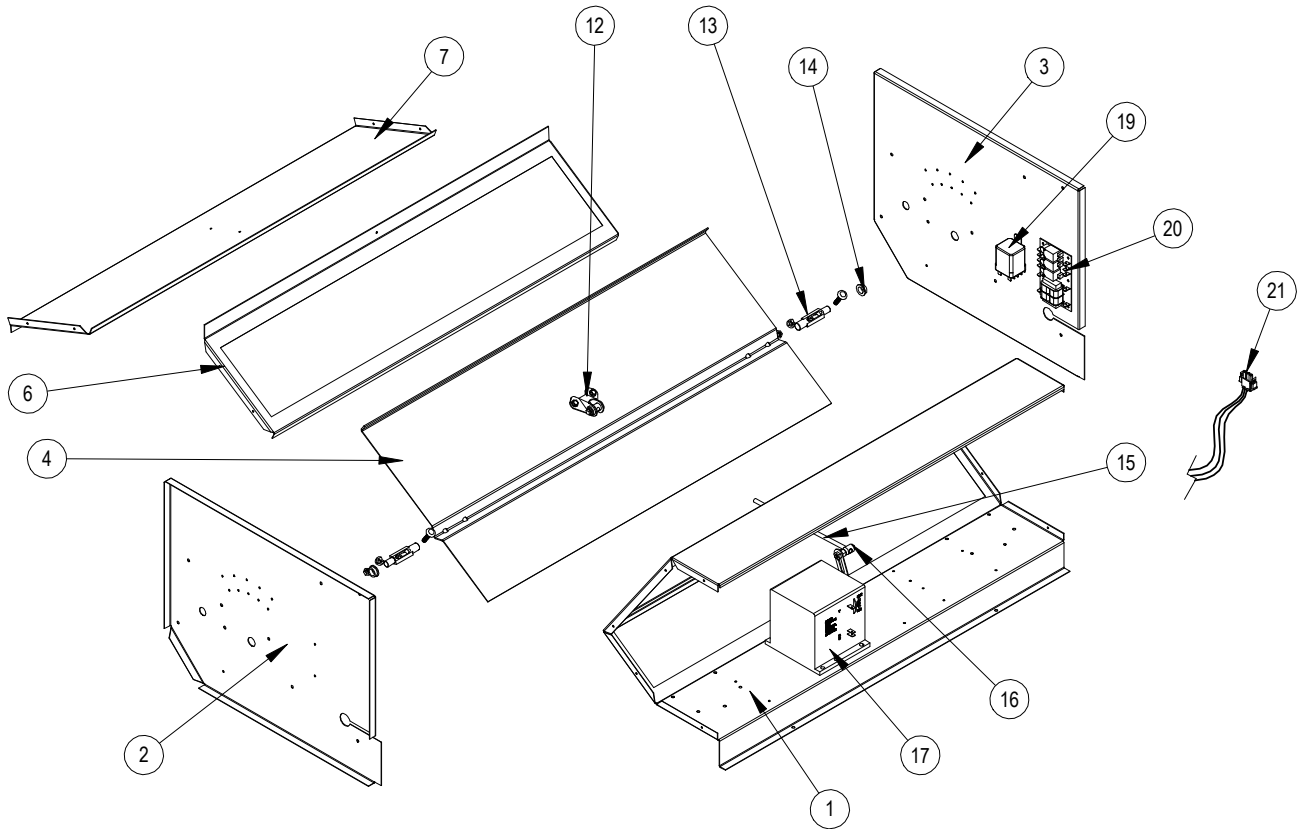
Climate Control Solutions

Bard Manufacturing Company, Inc.
Bryan, Ohio 43506
www.bardhvac.com

Manual: 2110-1531
Supersedes: **NEW**
Date: 12-2-15

FUNCTIONAL AND CABINET COMPONENTS

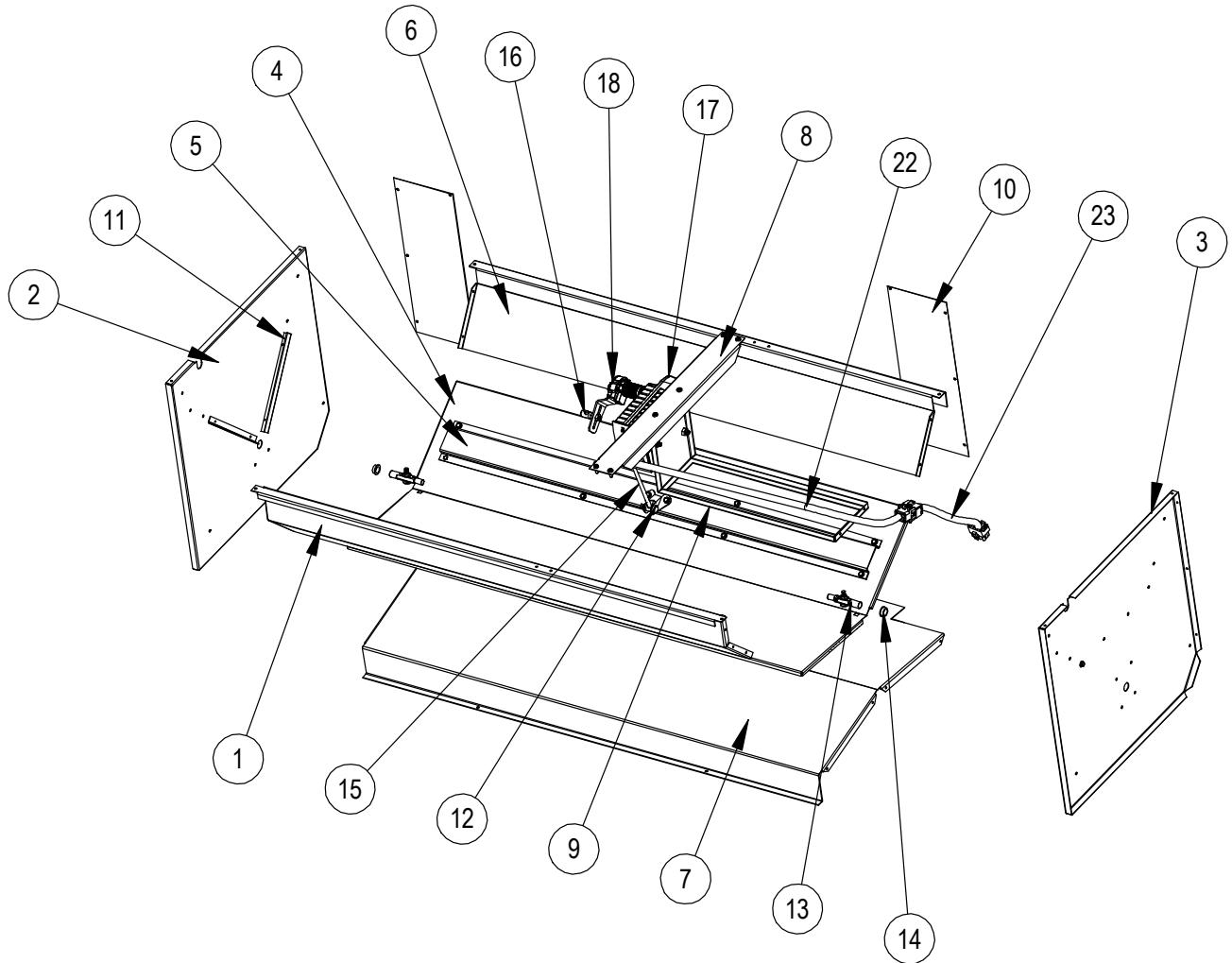
QWSCRV



SEXP-846

FUNCTIONAL AND CABINET COMPONENTS

QWSECON



SEXP-847

FUNCTIONAL AND CABINET COMPONENTS

| Drawing No. | Part No. | Description | 920-0294 QW2 CRV | 920-0293 QW3 ECONOMIZER | 920-0292 QW4-5 ECONOMIZER |
|-------------|-----------|---------------------------|------------------|-------------------------|---------------------------|
| 1 | 137-841 | Front Fill | | | X |
| 1 | 137-843 | Front Fill | | X | |
| 1 | 137-370 | Front Fill | X | | |
| 2 | 100Y958 | Left End | | X | X |
| 2 | 100Y346 | Left End | X | | |
| 3 | 100X958 | Right End | | X | X |
| 3 | 100X346 | Right End | X | | |
| 4 | 139-353 | Blade | | | X |
| 4 | 139-354 | Blade | | X | |
| 4 | 139-116 | Blade | X | | |
| 5 | 141-452 | Blade Support | | | X |
| 5 | 141-454 | Blade Support | | X | |
| 6 | 137-840 | Rear Upper Partition | | | X |
| 6 | 137-844 | Rear Upper Partition | | X | |
| 6 | 137-369 | Rear Upper Partition | X | | |
| 7 | 127-519 | Base | | | X |
| 7 | 127-520 | Base | | X | |
| 7 | 127-279 | Base | X | | |
| 8 | 141-451 | Actuator Support Bar | | X | X |
| 9 | 141-450 | Actuator Support Plate | | | X |
| 9 | 141-453 | Actuator Support Plate | | X | |
| 10 | 137-842 | Rear Fill Plate | | | 2 |
| 10 | 137-845 | Rear Fill Plate | | 2 | |
| 11 | 104-1402 | Blade Seal Angles | | 4 | 4 |
| 12 | 8602-040 | Bracket | X | X | X |
| 13 | 8602-038 | Damper Blade Pin | 2 | 2 | 2 |
| 14 | 8602-039 | Bushing | 2 | 2 | 2 |
| 15 | 8602-054 | Rod | | X | X |
| 15 | 8602-044 | Rod | X | | |
| 16 | 8602-008 | Ball Joint | X | X | X |
| 17 | 8602-067 | Actuator | | X | X |
| 17 | 8602-017 | Actuator | X | | |
| 18 | 8602-068 | Crank Arm | | X | X |
| 19 | 8201-048 | Relay | X | | |
| 20 | 8201-104 | Damper Step Control | X | | |
| 21 | 3000-1336 | Wire Assembly | X | | |
| 22 | 3000-1543 | Wire Assembly (Actuator) | | | X |
| 22 | 3000-1545 | Wire Assembly (Actuator) | | X | |
| 23 | 3000-1544 | Wire Assembly (Extension) | | X | X |
| NS | 4114-105 | Wiring Diagram | | X | X |
| NS | 4115-101 | Wiring Diagram | X | | |
| NS | 8602-070 | 0-10 Vdc Control Module | X | | |

NS = Not Shown