
REPLACEMENT PARTS MANUAL

WALL MOUNTED PACKAGED HEAT PUMP

Models:

W30HA-A W36HA-A W30HADA W36HADA
W30HA-B W36HA-B W30HADB W36HADB
W30HA-C W36HA-C W30HADC W36HADC

Contents

Description	Page	Description	Page
Cabinet Components		Control Panel – 460 Volt 3 Phase Units	
♦ Exploded View	2	♦ Layout View	12
♦ Usage List	3	♦ Usage List	13
Functional Components – Standard Units		Blower Assembly	
♦ Exploded View	4	♦ Exploded View	14
♦ Usage List	5	♦ Usage List	14
Functional Components – Dehumidification Units			
♦ Exploded View	6		
♦ Usage List	7		
Control Panel – 230 Volt 1 Phase Units			
♦ Layout View	8		
♦ Usage List	9		
Control Panel – 230 Volt 3 Phase Units			
♦ Layout View	10		
♦ Usage List	11		

General Notes

- Revised and/or additional pages may be issued from time to time.
- A complete and current manual consists of pages shown in the following contents section.

Important

- Contact the installing and/or local Bard distributor for all parts requirements. Make sure you have the complete model and serial number available from the unit rating plates.

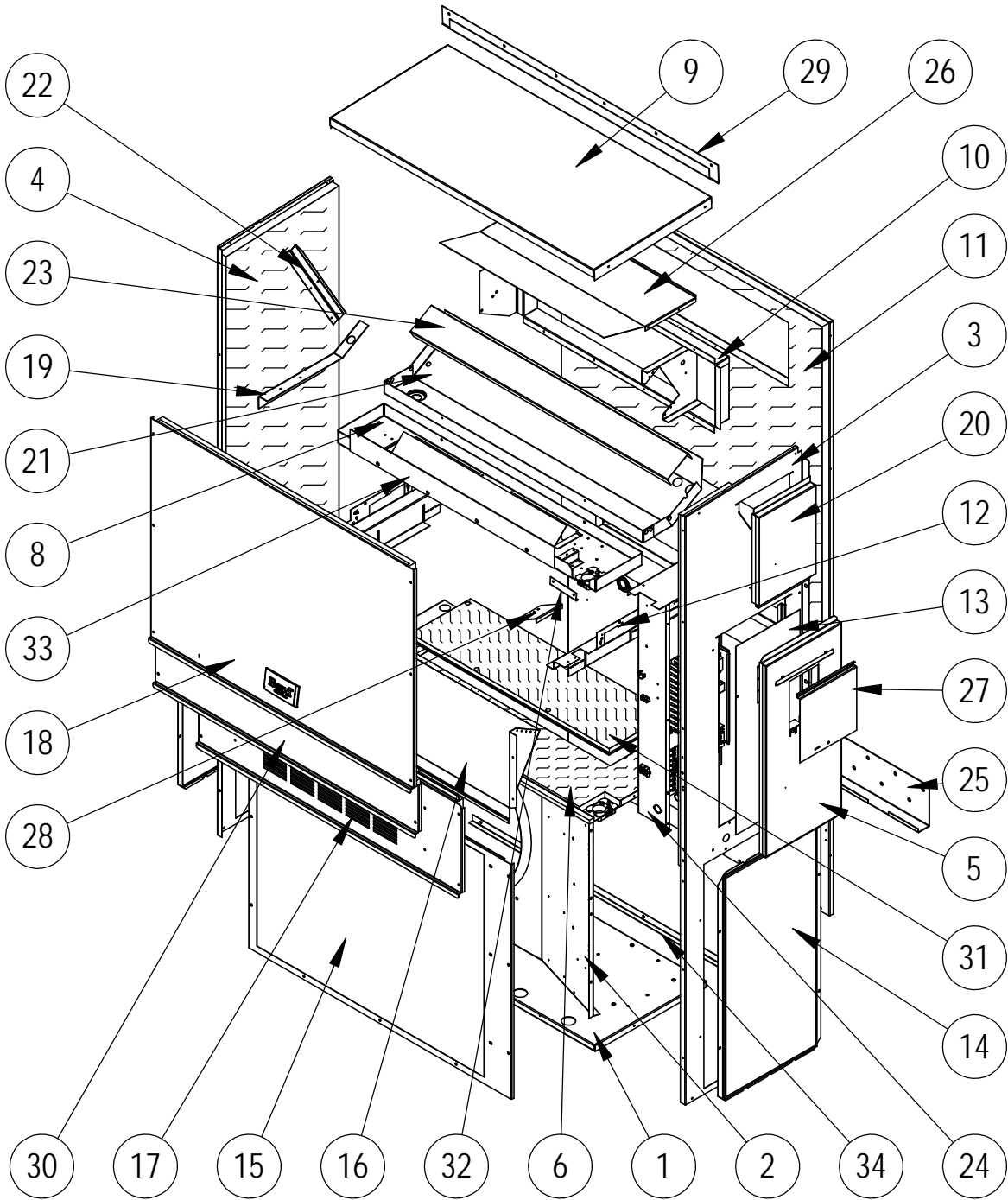


Climate Control Solutions

Bard Manufacturing Company, Inc.
Bryan, Ohio 43506
www.bardhvac.com

Manual: 2110-1533D
Supersedes: 2110-1533C
Date: 6-19-19

CABINET COMPONENTS



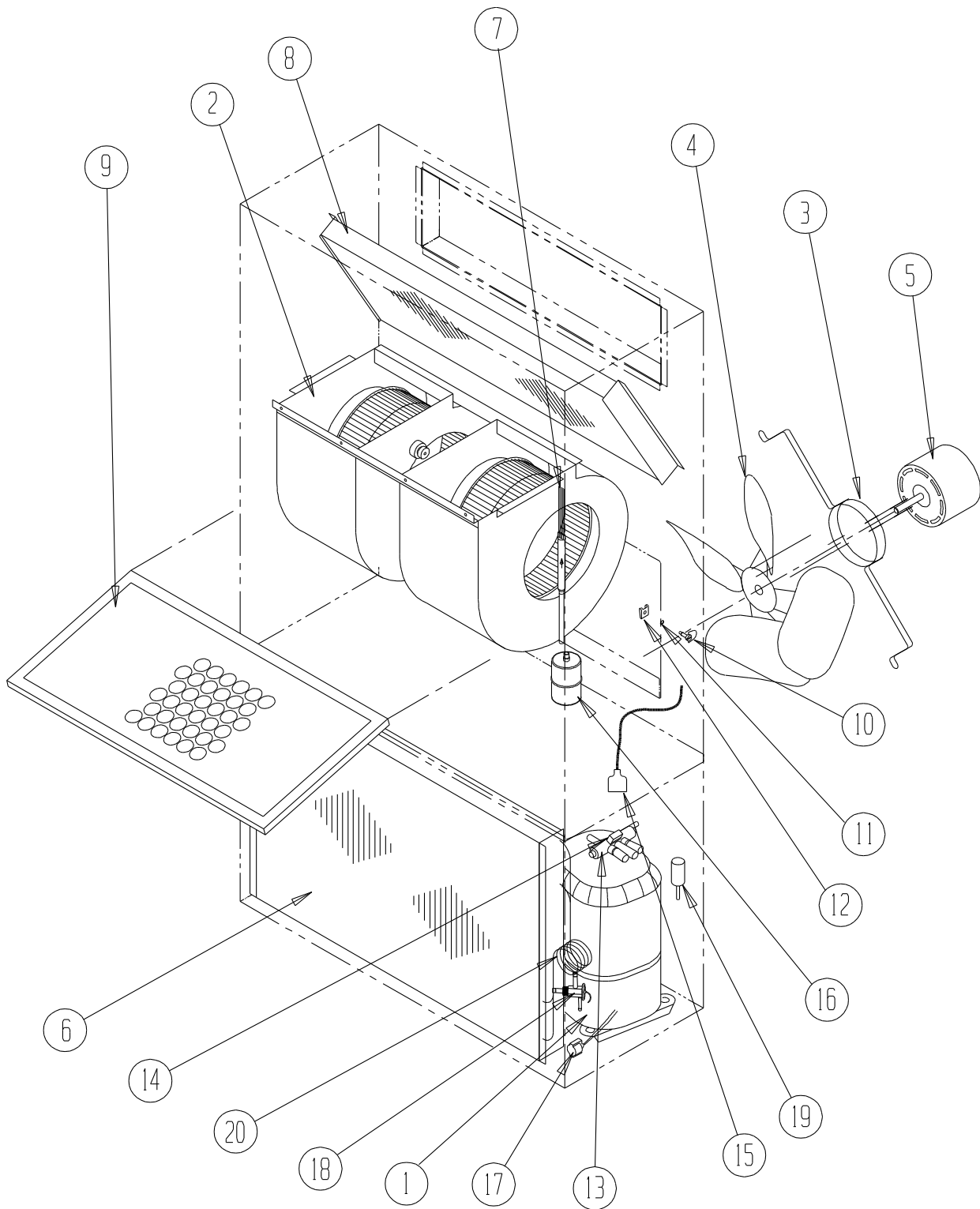
SEXP-799

CABINET COMPONENTS

Dwg No.	Part Number	Description	W30HA-A, B	W30HA-C	W30HADA, B	W30HADC	W36HA-A, B	W36HA-C	W36HADA, B	W36HADC
1	S127-471	Lower Base	X	X	X	X	X	X	X	X
1	S127-528 ②	Lower Base	X	X	X	X	X	X	X	X
2	125-081	Fan Shroud	X	X	X	X	X	X	X	X
2	125-083 ②	Fan Shroud	X	X	X	X	X	X	X	X
3	S501-933-* ①	Right Side	X	X	X	X	X	X	X	X
3	S501-994 ②	Right Side	X	X	X	X	X	X	X	X
3	S501-937 ③	Right Side	X	X	X	X	X	X	X	X
4	S501-934-* ①	Left Side	X	X	X	X	X	X	X	X
4	S501-995 ②	Left Side	X	X	X	X	X	X	X	X
4	S501-940 ③	Left Side	X	X	X	X	X	X	X	X
5	S533-228 ①	Control Panel Cover (Outer)	X	X	X	X	X	X	X	X
5	S533-235 ②	Control Panel Cover (Outer)	X	X	X	X	X	X	X	X
5	S533-236 ③	Control Panel Cover (Outer)	X	X	X	X	X	X	X	X
6	S521X527	Condenser Partition	X	X	X	X	X	X	X	X
6	S521-552 ②	Condenser Partition	X	X	X	X	X	X	X	X
8	121X467	Blower Partition	X	X	X	X	X	X	X	X
9	S507-308-* ①	Top	X	X	X	X	X	X	X	X
9	S507-319 ②	Top	X	X	X	X	X	X	X	X
9	S507-320 ③	Top	X	X	X	X	X	X	X	X
10	S111X030	Outlet Air Frame Assembly	X	X	X	X	X	X	X	X
11	S508-343	Back	X	X	X	X	X	X	X	X
11	S508-388 ②	Back	X	X	X	X	X	X	X	X
11	S508-345 ③	Back	X	X	X	X	X	X	X	X
12	113X480	Filter Bracket	2	2	2	2	2	2	2	2
13	S132-104	Control Panel Cover (Inner)	X		X		X		X	
13	S132-172	Control Panel Cover (Inner)		X		X		X		X
14	118-124-* ①	Side Grille	2	2	2	2	2	2	2	2
14	118-140 ②	Side Grille	2	2	2	2	2	2	2	2
14	118-139 ③	Side Grille	2	2	2	2	2	2	2	2
15	118-103-* ①	Condenser Grille	X	X	X	X	X	X	X	X
15	118-108 ②	Condenser Grille	X	X	X	X	X	X	X	X
15	118-113 ③	Condenser Grille	X	X	X	X	X	X	X	X
16	BFAD-3	Fresh Air Damper Assembly	X	X	X	X	X	X	X	X
17	S553-523-* ①	Vent Option Door	X	X	X	X	X	X	X	X
17	S553-540 ①	Vent Option Door with ERV	X	X	X	X	X	X	X	X
17	S553-549 ②	Vent Option Door	X	X	X	X	X	X	X	X
17	S553-557 ②	Vent Option Door with ERV	X	X	X	X	X	X	X	X
17	S553-550 ③	Vent Option Door	X	X	X	X	X	X	X	X
17	S553-558 ③	Vent Option Door with ERV	X	X	X	X	X	X	X	X
18	S514-241-* ①	Upper Front	X	X	X	X	X	X	X	X
18	S514-238 ②	Upper Front	X	X	X	X	X	X	X	X
18	S514-239 ③	Upper Front	X	X	X	X	X	X	X	X
19	105X850	Side Support	X	X	X	X	X	X	X	X
20	S543-175-* ①	Right Side Cover Plate (Outer)	X	X	X	X	X	X	X	X
20	S543-185 ②	Right Side Cover Plate (Outer)	X	X	X	X	X	X	X	X
20	S543-184 ③	Right Side Cover Plate (Outer)	X	X	X	X	X	X	X	X
21	S123-127	Drain Pan	X	X	X	X	X	X	X	X
21	S123-141 ②③	Drain Pan	X	X	X	X	X	X	X	X
22	147-044	Evaporator Support	X	X	X	X	X	X	X	X
23	137-685	Bottom Evaporator Fill	X	X			X	X		
23	137-722	Bottom Evaporator Fill			X	X			X	X
24	Control Panel Assembly	See Control Panel Assy. Drawing & Parts List Assy.	X	X	X	X	X	X	X	X
25	113-140	Bottom Mounting Bracket	X	X	X	X	X	X	X	X
26	135X123	Heat Shield	X	X	X	X	X	X	X	X
27	S153-218 ①	Disconnect Access Door	X	X	X	X	X	X	X	X
27	S153-405 ②	Disconnect Access Door	X	X	X	X	X	X	X	X
27	S153-387 ③	Disconnect Access Door	X	X	X	X	X	X	X	X
28	137-259	Fill Plate	X	X	X	X	X	X	X	X
29	113-149-* ①	Top Rain Flashing	X	X	X	X	X	X	X	X
29	113-360 ②	Top Rain Flashing	X	X	X	X	X	X	X	X
29	113-149-4 ③	Top Rain Flashing	X	X	X	X	X	X	X	X
30	S553-524-* ①	Filter Door	X	X	X	X	X	X	X	X
30	S553-553 ②	Filter Door	X	X	X	X	X	X	X	X
30	S553-554 ③	Filter Door	X	X	X	X	X	X	X	X
31	S536-498	Cond. Partition Block Off Plate	X	X	X	X	X	X	X	X
31	S536-877 ②	Cond. Partition Block Off Plate	X	X	X	X	X	X	X	X
32	105-1302	Grommet Retainer	X	X	X	X	X	X	X	X
33	135-329	Air Baffle	X	X	X	X	X	X	X	X
34	105-1393	Close Off Angle	X	X	X	X	X	X	X	X

- ① Exterior cabinet parts are manufactured with various paint color options. To ensure the proper paint color is received, include the complete model and serial number of the unit for which cabinet parts are being ordered.
- ② Exterior cabinet parts are manufactured from stainless steel Code "S"
- ③ Exterior cabinet parts are manufactured from aluminum Code "A"

FUNCTIONAL COMPONENTS - STANDARD UNITS



SEXP-529

FUNCTIONAL COMPONENTS – STANDARD UNITS

Dwg No.	Part Number	Description	W30HA-A	W30HA-B	W30HA-C	W36HA-A	W36HA-B	W36HA-C
1	8000-298	Compressor	X					
1	8000-299	Compressor		X				
1	8000-300	Compressor			X			
1	8000-278	Compressor				X		
1	8000-283	Compressor					X	
1	8000-342	Compressor						X
NS	3000-1224	Molded Compressor Wire Harness (1-PH)	X			X		
NS	3000-1231	Molded Compressor Wire Harness (3-PH)		X	X		X	X
2	S900-231	Blower Assembly	X	X		X	X	
2	S900-232	Blower Assembly			X			X
3	8200-001	Fan Motor Mount	X	X	X	X	X	X
3	8200-050 ①	Stainless Steel Fan Motor Mount	X	X	X	X	X	X
4	5151-045	Fan Blade	X	X	X	X	X	X
4	5151C045 ①	Coated Fan Blade	X	X	X	X	X	X
5	8103-029	Outdoor Fan Motor	X	X		X	X	
5	8103-030	Outdoor Fan Motor			X			X
6	917-0320BX	Outdoor Coil (Includes Distributor)	X	X	X	X	X	X
6	917-0321BX ②	Outdoor Coil – Coated (Includes Distributor)	O	O	O	O	O	O
7	5625-146	Cooling Distributor Assembly	X	X	X			
7	5625-147	Cooling Distributor Assembly				X	X	X
8	917-0318BX	Indoor Coil (Includes Cooling Distributor)	X	X	X			
8	917-0319BX ②	Indoor Coil – Coated (Includes Cooling Distributor)	O	O	O			
8	917-0325BX	Indoor Coil (Includes Cooling Distributor)				X	X	X
8	917-0326BX ②	Indoor Coil – Coated (Includes Cooling Distributor)				O	O	O
9	7004-019	Air Filter 1" Disposable	X	X	X	X	X	X
9	7003-031 ②	Air Filter 1" Washable	O	O	O	O	O	O
9	7004-026 ②	Air Filter 2" Pleated Disposable	O	O	O	O	O	O
10	1171-022	1/4 Turn Fastener	X	X	X	X	X	X
11	1171-024	1/4 Turn Retainer	X	X	X	X	X	X
12	1171-023	1/4 Turn Receptacle	X	X	X	X	X	X
13	5650-039	Reversing Valve w/24V Solenoid Coil	X	X	X	X	X	X
14	5650-046	Reversing Valve 24V Solenoid	X	X	X	X	X	X
15	5650-044	Molded Plug 53" Lead	X	X	X	X	X	X
16	5201-019	Filter Drier, Bi-Directional, 3/8" Connections	X	X	X	X	X	X
17	8620-224	Defrost Sensor Kit	X	X	X	X	X	X
18	5651-200	Heating Expansion Valve	X	X	X			
18	5651-231	Heating Expansion Valve				X	X	X
19	8406-142	High Pressure Switch (650#) Screw On	X	X	X	X	X	X
20	5625-023	Heating Distributor	X	X	X	X	X	X
NS	8406-135	Low Pressure Switch (14#) Screw On	X	X	X	X	X	X
NS	6031-009	Coremax Valve Core (Service Port)	2	2	2	2	2	2
NS	8406-112 ②	Low Ambient Fan Cycling Control (350#/225#)	O	O	O	O	O	O
NS	8408-028 ②	Outdoor Thermostat	O	O	O	O	O	O
NS	1171-028	Filter Door Clip	X	X	X	X	X	X
NS	1171-057	Filter Door Screw	X	X	X	X	X	X
NS	1171-027	Filter Door Screw Retainer	X	X	X	X	X	X

NS – Not Shown

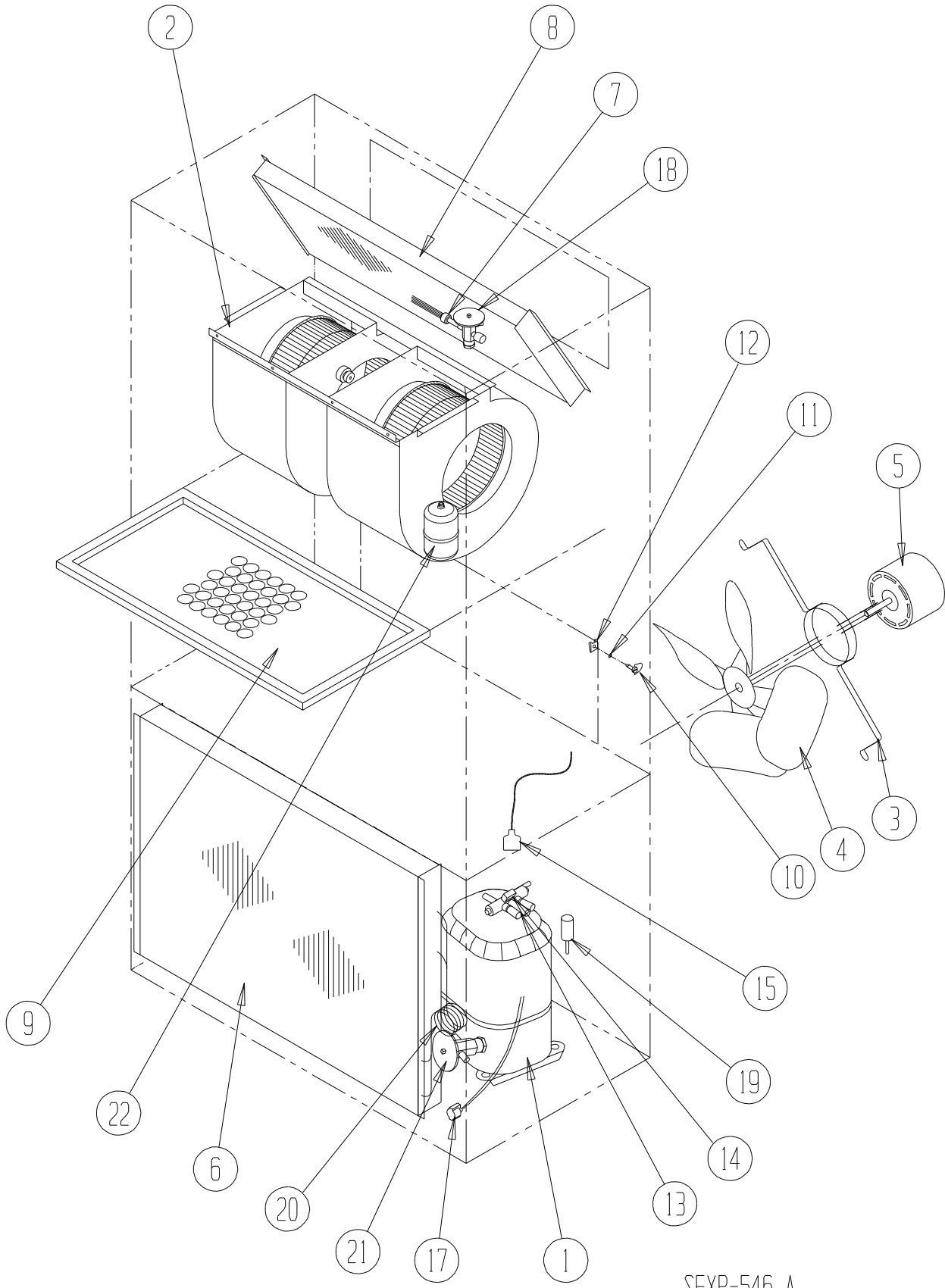
① – Used with stainless steel cabinet option

② – Optional on these models

X – Standard

O – Add-On Option

FUNCTIONAL COMPONENTS - DEHUMIDIFICATION UNITS



SEXP-546 A

FUNCTIONAL COMPONENTS – DEHUMIDIFICATION UNITS

Dwg No.	Part Number	Description	W30HADA	W30HADB	W30HADC	W36HADA	W36HADB	W36HADC
1	8000-298	Compressor	X					
1	8000-299	Compressor		X				
1	8000-300	Compressor			X			
1	8000-278	Compressor				X		
1	8000-283	Compressor					X	
1	8000-342	Compressor						X
NS	3000-1224	Molded Compressor Wire Harness (1-PH)	X			X		
NS	3000-1231	Molded Compressor Wire Harness (3-PH)		X	X		X	X
2	S900-231	Blower Assembly	X	X		X	X	
2	S900-232	Blower Assembly			X			X
3	8200-001	Fan Motor Mount	X	X	X	X	X	X
3	8200-050 ①	Stainless Steel Fan Motor Mount	X	X	X	X	X	X
4	5151-045	Fan Blade	X	X	X	X	X	X
4	5151C045 ①	Coated Fan Blade	X	X	X	X	X	X
5	8103-029	Outdoor Fan Motor	X	X		X	X	
5	8103-030	Outdoor Fan Motor			X			X
6	917-0320BX	Outdoor Coil (Includes Distributor)	X	X	X	X	X	X
6	917-0321BX ②	Outdoor Coil – Coated (Includes Distributor)	O	O	O	O	O	O
7	5625-007	Cooling Distributor Assembly	X	X	X			
7	5625-010	Cooling Distributor Assembly				X	X	X
8	917-0281BX	Indoor Coil (Includes Cooling Distributor)	X	X	X			
8	917-0324BX ②	Indoor Coil – Coated (Includes Cooling Distributor)	O	O	O			
8	917-0279BX	Indoor Coil (Includes Cooling Distributor)				X	X	X
8	917-0329BX ②	Indoor Coil – Coated (Includes Cooling Distributor)				O	O	O
9	7004-019	Air Filter 1" Disposable	X	X	X	X	X	X
9	7003-031 ②	Air Filter 1" Washable	O	O	O	O	O	O
9	7004-026 ②	Air Filter 2" Pleated Disposable	O	O	O	O	O	O
10	1171-022	1/4 Turn Fastener	X	X	X	X	X	X
11	1171-024	1/4 Turn Retainer	X	X	X	X	X	X
12	1171-023	1/4 Turn Receptacle	X	X	X	X	X	X
13	5650-039	Reversing Valve w/24V Solenoid Coil	X	X	X	X	X	X
14	5650-046	Reversing Valve 24V Solenoid	X	X	X	X	X	X
15	5650-044	Molded Plug 53" Lead	X	X	X	X	X	X
16	5201-019	Filter Drier, Bi-Directional, 3/8" Connections	X	X	X	X	X	X
17	8620-224	Defrost Sensor Kit	X	X	X	X	X	X
18	5651-233	Cooling Expansion Valve	X	X	X	X	X	X
19	8406-142	High Pressure Switch (650#) Screw On	X	X	X	X	X	X
20	5625-023	Heating Distributor	X	X	X	X	X	X
21	5651-200	Heating Expansion Valve	X	X	X			
21	5651-231	Heating Expansion Valve				X	X	X
NS	8406-135	Low Pressure Switch (14#) Screw On	X	X	X	X	X	X
NS	6031-009	Coremax Valve Core (Service Port)	2	2	2	2	2	2
NS	5650-051	Dehumidification Mode Valve	X	X	X	X	X	X
NS	5651-219	Dehumidification Check Valves	2	2	2	2	2	2
NS	8406-112 ②	Low Ambient Fan Cycling Control (350#/225#)	O	O	O	O	O	O
NS	8408-028 ②	Outdoor Thermostat	O	O	O	O	O	O
NS	1171-028	Filter Door Clip	X	X	X	X	X	X
NS	1171-057	Filter Door Screw	X	X	X	X	X	X
NS	1171-027	Filter Door Screw Retainer	X	X	X	X	X	X

NS – Not Shown

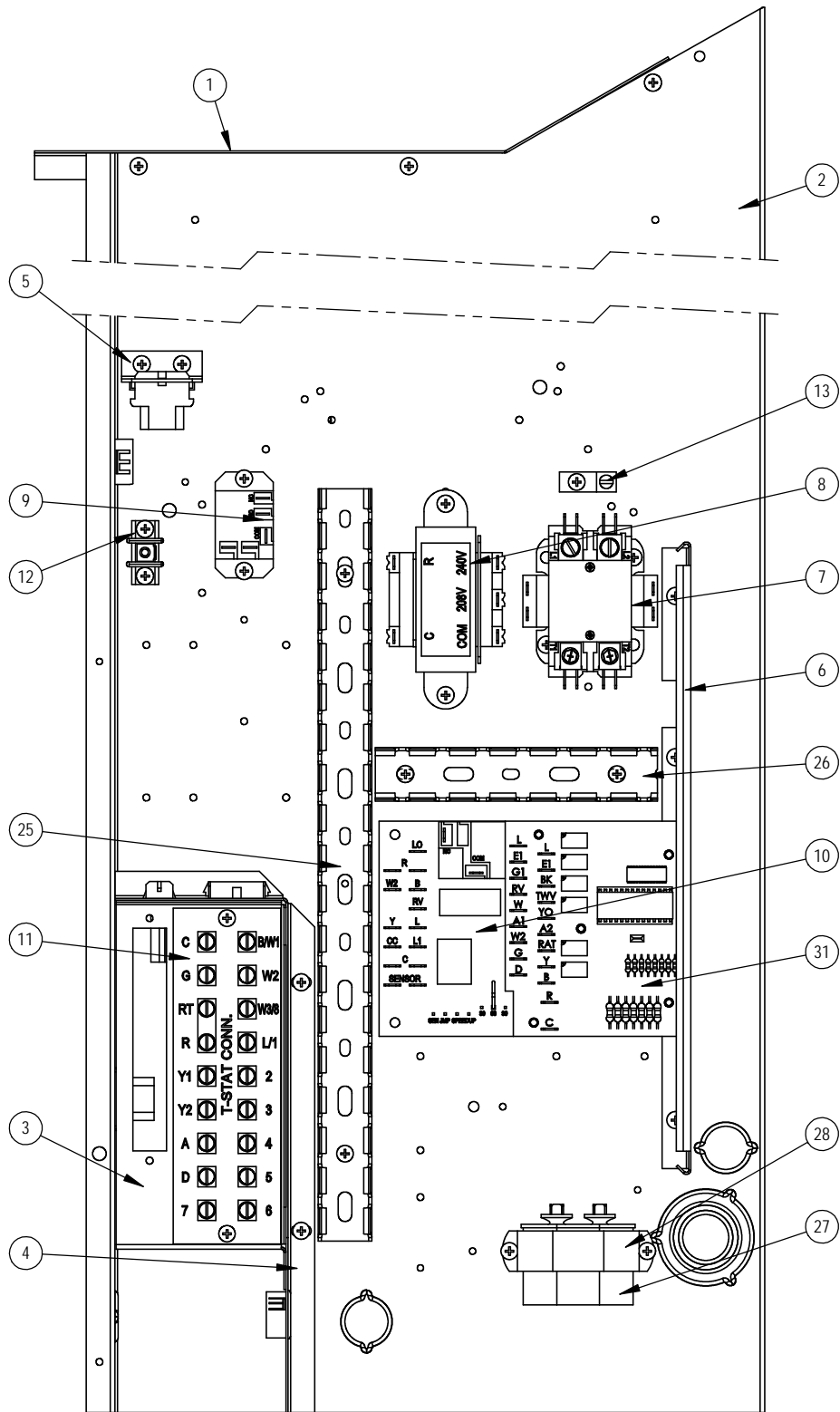
① – Used with stainless steel cabinet option

② – Optional on these models

X – Standard

O – Add-On Option

CONTROL PANEL - 230 VOLT 1 PHASE UNITS



SEXP-848

CONTROL PANEL – 230 VOLT 1 PHASE UNITS

Dwg No.	Part Number	Description	W30HA-A	W30HADA	W36HA-A	W36HADA
1	117X137	Control Panel Top - RH (Sheet Metal Only)	X	X	X	X
2	117X374	Control Panel - RH (Sheet Metal Only)	X	X	X	X
3	117X375	Low Voltage Box - RH (Sheet Metal Only)	X	X	X	X
4	117X385	Low Voltage Partition - RH (Sheet Metal Only)	X	X	X	X
NS	3000-1494	Low Voltage Wire Harness (behind LVTS)	X	X	X	X
NS	S910-2002	Complete Low Voltage Box Assembly (Sheet Metal, LVTS & Wire Harness)	X	X	X	X
5	141-188	Plug Support Bracket (Sheet Metal)	X	X	X	X
6	135-122	Wire Shield (Sheet Metal)	X	X	X	X
7	8401-033	Contactora 2-Pole	X	X	X	X
8	8407-035	Transformer 208/240-24, 50VA	X	X	X	X
9	8201-130	Relay, SPDT	X	X	X	X
10	8620-223	Defrost Board Replacement Kit	X	X	X	X
11	8607-044	Terminal Strip	X	X	X	X
12	8607-041	Park Terminal	X	X	X	X
13	8611-006	Ground Lug	X	X	X	X
25	8611-140-1400	14" Cable Duct	X	X	X	X
26	8611-140-0500	5" Cable Duct	X	X	X	X
27	8552-052	Capacitor 45+5/370 V, 2-1/2" Round	X	X	X	X
28	8550-008	Capacitor Strap, 2-1/2" Round	X	X	X	X
31	8201-113	Dehumidification Logic Control Board		X		X
NS	3003-038	Main Control Panel Wire Harness	X		X	
NS	3003-041	Main Control Panel Wire Harness		X		X
NS	8201-086 ①	LAC and/or ODT Relay	0	0	0	0
NS	8408-028 ①	Outdoor Thermostat	0	0	0	0
NS	4096-164	Wiring Diagram	X		X	
NS	4096-165	Wiring Diagram		X		X

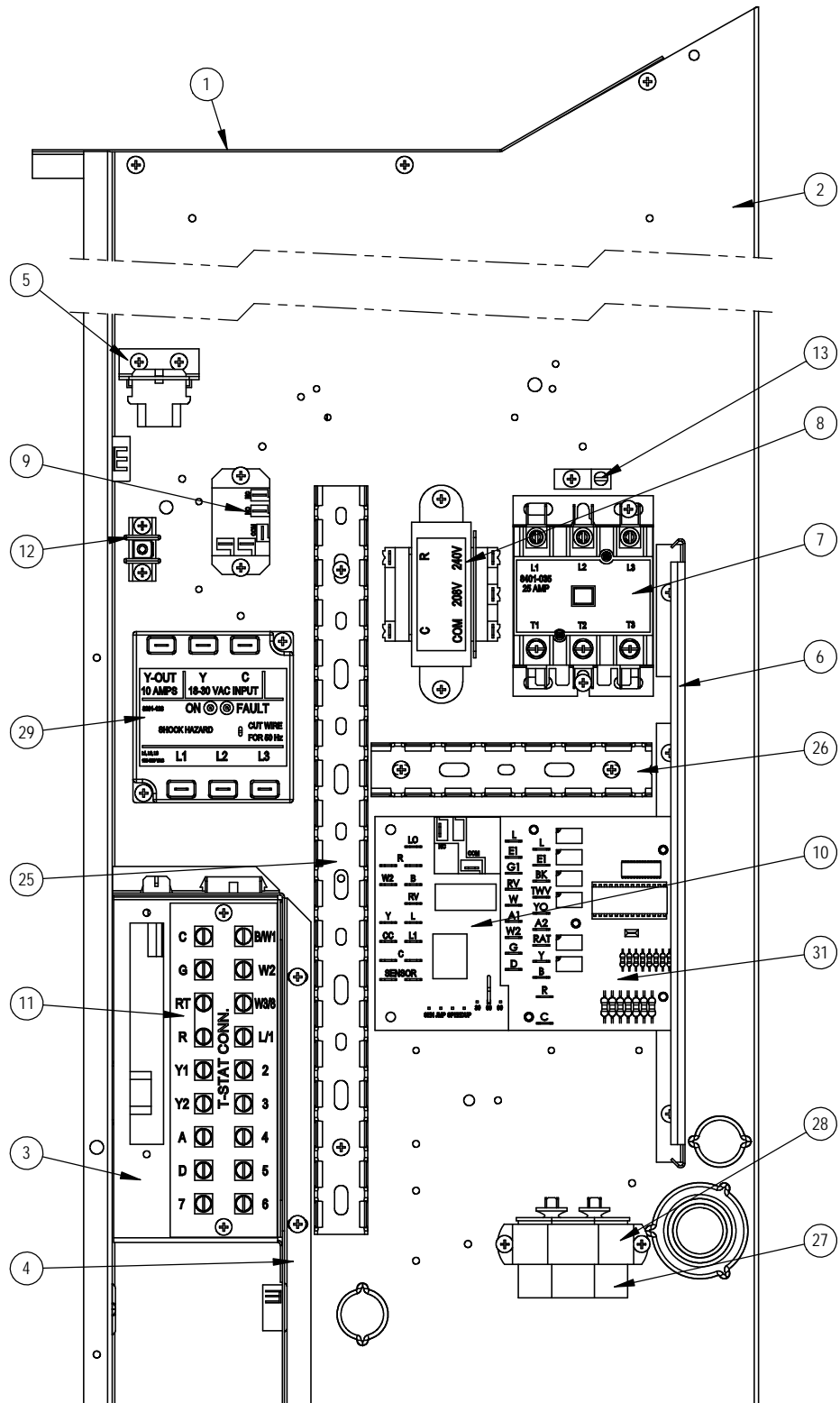
NS – Not Shown

① – Optional

X – Standard

0 – Add-On Option

CONTROL PANEL - 230 VOLT 3 PHASE UNITS



SEXP-849

CONTROL PANEL – 230 VOLT 3 PHASE UNITS

Dwg No.	Part Number	Description	W30HA-B	W30HADB	W36HA-B	W36HADB
1	117X137	Control Panel Top - RH (Sheet Metal Only)	X	X	X	X
2	117X374	Control Panel - RH (Sheet Metal Only)	X	X	X	X
3	117X375	Low Voltage Box - RH (Sheet Metal Only)	X	X	X	X
4	117X385	Low Voltage Partition - RH (Sheet Metal Only)	X	X	X	X
NS	3000-1494	Low Voltage Wire Harness (behind LVTS)	X	X	X	X
NS	S910-2002	Complete Low Voltage Box Assembly (Sheet Metal, LVTS & Wire Harness)	X	X	X	X
5	141-188	Plug Support Bracket (Sheet Metal)	X	X	X	X
6	135-122	Wire Shield (Sheet Metal)	X	X	X	X
7	8401-035	Contactor 3-Pole	X	X	X	X
8	8407-035	Transformer 208/240-24, 50VA	X	X	X	X
9	8201-130	Relay, SPDT	X	X	X	X
10	8620-223	Defrost Board Replacement Kit	X	X	X	X
11	8607-044	Terminal Strip	X	X	X	X
12	8607-041	Park Terminal	X	X	X	X
13	8611-006	Ground Lug	X	X	X	X
25	8611-140-1400	14" Cable Duct	X	X	X	X
26	8611-140-0500	5" Cable Duct	X	X	X	X
27	8552-002	Capacitor 5/370 V, 1-1/4" Oval	X	X	X	X
28	8550-003	Capacitor Strap, 1-1/4" Oval	X	X	X	X
29	8201-126	3 Phase Line Monitor	X	X	X	X
31	8201-113	Dehumidification Logic Control Board		X		X
NS	3003-039	Main Control Panel Wire Harness	X		X	
NS	3003-042	Main Control Panel Wire Harness		X		X
NS	8201-086 ①	LAC and/or ODT Accessory Relay	O	O	O	O
NS	8408-028 ①	Outdoor Thermostat	O	O	O	O
NS	4096-266	Wiring Diagram	X		X	
NS	4096-267	Wiring Diagram		X		X

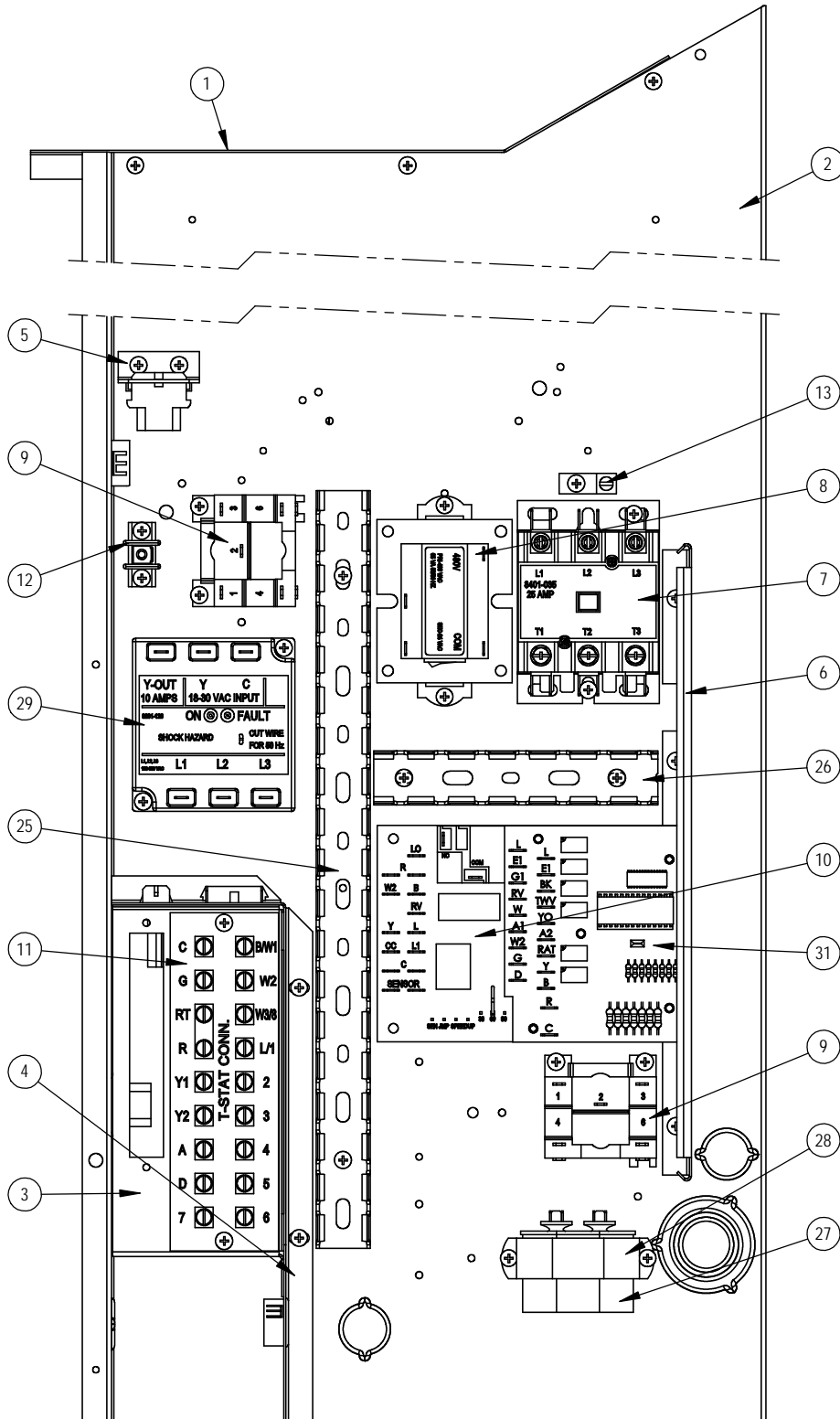
NS – Not Shown

① – Optional

X – Standard

O – Add-On Option

CONTROL PANEL - 460 VOLT 3 PHASE UNITS



SEXP-850

CONTROL PANEL – 460 VOLT 3 PHASE UNITS

Dwg No.	Part Number	Description	W30HA-C	W30HADC	W36HA-C	W36HADC
1	117X137	Control Panel Top - RH (Sheet Metal Only)	X	X	X	X
2	117X374	Control Panel - RH (Sheet Metal Only)	X	X	X	X
3	117X375	Low Voltage Box - RH (Sheet Metal Only)	X	X	X	X
4	117X385	Low Voltage Partition - RH (Sheet Metal Only)	X	X	X	X
NS	3000-1494	Low Voltage Wire Harness (behind LVTS)	X	X	X	X
NS	S910-2002	Complete Low Voltage Box Assembly (Sheet Metal, LVTS & Wire Harness)	X	X	X	X
5	141-188	Plug Support Bracket (Sheet Metal)	X	X	X	X
6	135-122	Wire Shield (Sheet Metal)	X	X	X	X
7	8401-035	Contactor 3-Pole	X	X	X	X
8	8407-042	Transformer 480-24, 50VA	X	X	X	X
9	8201-132	Relay, SPDT, 3 FLA@480V	X	X	X	X
10	8620-223	Defrost Board Replacement Kit	X	X	X	X
11	8607-044	Terminal Strip	X	X	X	X
12	8607-041	Park Terminal	X	X	X	X
13	8611-006	Ground Lug	X	X	X	X
25	8611-140-1400	14" Cable Duct	X	X	X	X
26	8611-140-0500	5" Cable Duct	X	X	X	X
27	8552-002	Capacitor 5/370 V, 1-1/4" Oval	X	X	X	X
28	8550-003	Capacitor Strap, 1-1/4" Oval	X	X	X	X
29	8201-126	3 Phase Line Monitor	X	X	X	X
31	8201-113	Dehumidification Logic Control Board		X		X
NS	3003-040	Main Control Panel Wire Harness	X		X	
NS	3003-043	Main Control Panel Wire Harness		X		X
NS	8201-086 ①	LAC and/or ODT Accessory Relay	O	O	O	O
NS	8408-028 ①	Outdoor Thermostat	O	O	O	O
NS	4096-364	Wiring Diagram	X		X	
NS	4096-365	Wiring Diagram		X		X

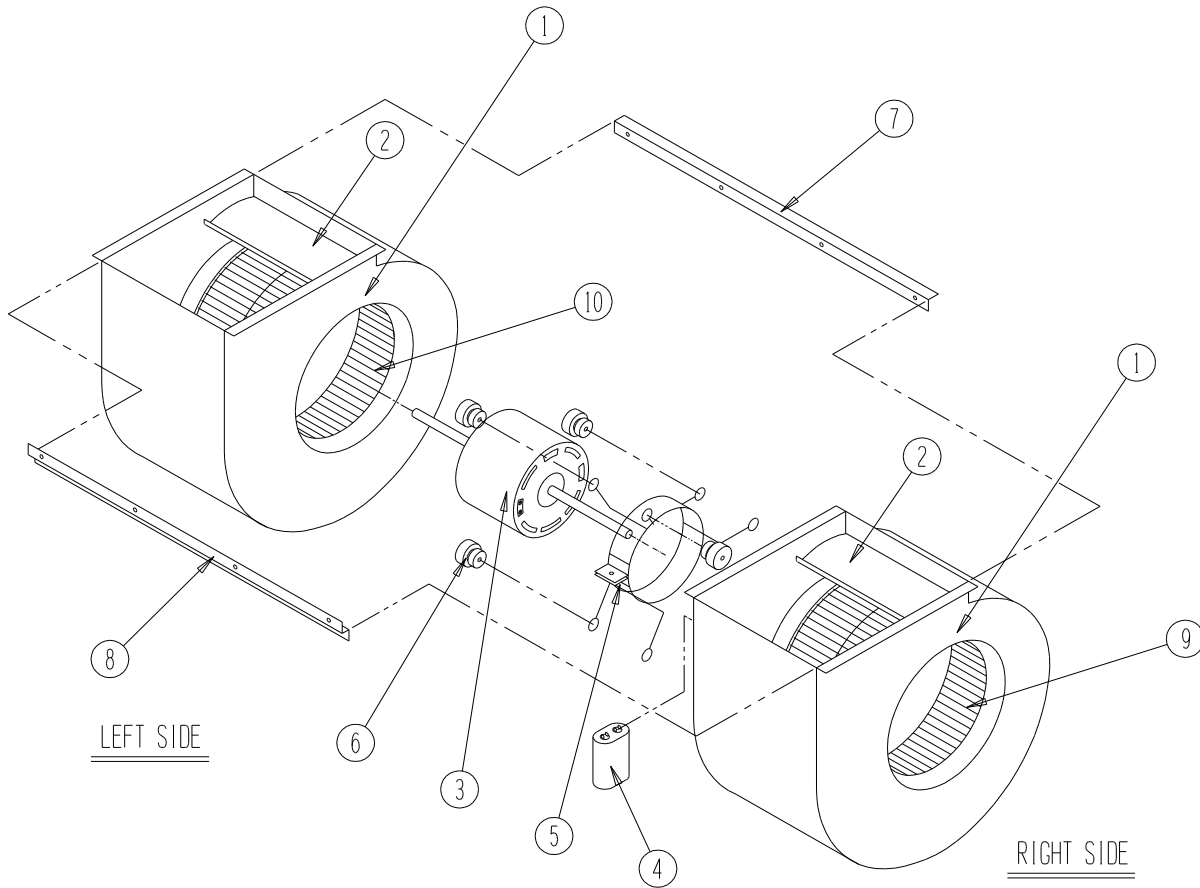
NS – Not Shown

① – Optional

X – Standard

O – Add-On Option

BLOWER ASSEMBLY



SEXP-346

Dwg No.	Part Number	Description	S900-231	S900-232
1	151-111	Housing	2	2
2	144-174	Diffuser	2	2
3	8105-029	Blower Motor (230/208)	X	
3	8105-033	Blower Motor (460)		X
4	8552-002	Capacitor	X	X
5	8200-031	Motor Mount	X	X
6	5451-011	Grommets	6	6
7	105-870	Back Brace	X	X
8	103-401	Front Brace	X	X
9	5152-090	Wheel CW	X	X
10	5152-091	Wheel CCW	X	X