

---

# REPLACEMENT PARTS MANUAL

---

## WALL MOUNTED PACKAGED HEAT PUMP

**NOTICE**  
Document contains  
Sticky Notes – Open with  
Acrobat Reader DC  
or later.

Models:

W30HA-A W36HA-A W30HADA W36HADA  
W30HA-B W36HA-B W30HADB W36HADB  
W30HA-C W36HA-C W30HADC W36HADC

---

### Contents

| Description                                    | Page | Description                            | Page |
|--|------|--|------|
| Cabinet Components                             |      | Control Panel – 460 Volt 3 Phase Units |      |
| ♦ Exploded View .....                          | 2    | ♦ Layout View .....                    | 12   |
| ♦ Usage List .....                             | 3    | ♦ Usage List .....                     | 13   |
| Functional Components – Standard Units         |      | Blower Assembly                        |      |
| ♦ Exploded View .....                          | 4    | ♦ Exploded View .....                  | 14   |
| ♦ Usage List .....                             | 5    | ♦ Usage List .....                     | 14   |
| Functional Components – Dehumidification Units |      |  |      |
| ♦ Exploded View .....                          | 6    |  |      |
| ♦ Usage List .....                             | 7    |  |      |
| Control Panel – 230 Volt 1 Phase Units         |      |  |      |
| ♦ Layout View .....                            | 8    |  |      |
| ♦ Usage List .....                             | 9    |  |      |
| Control Panel – 230 Volt 3 Phase Units         |      |  |      |
| ♦ Layout View .....                            | 10   |  |      |
| ♦ Usage List .....                             | 11   |  |      |

### General Notes

- Revised and/or additional pages may be issued from time to time.
- A complete and current manual consists of pages shown in the following contents section.

### Important

- Contact the installing and/or local Bard distributor for all parts requirements. Make sure you have the complete model and serial number available from the unit rating plates.

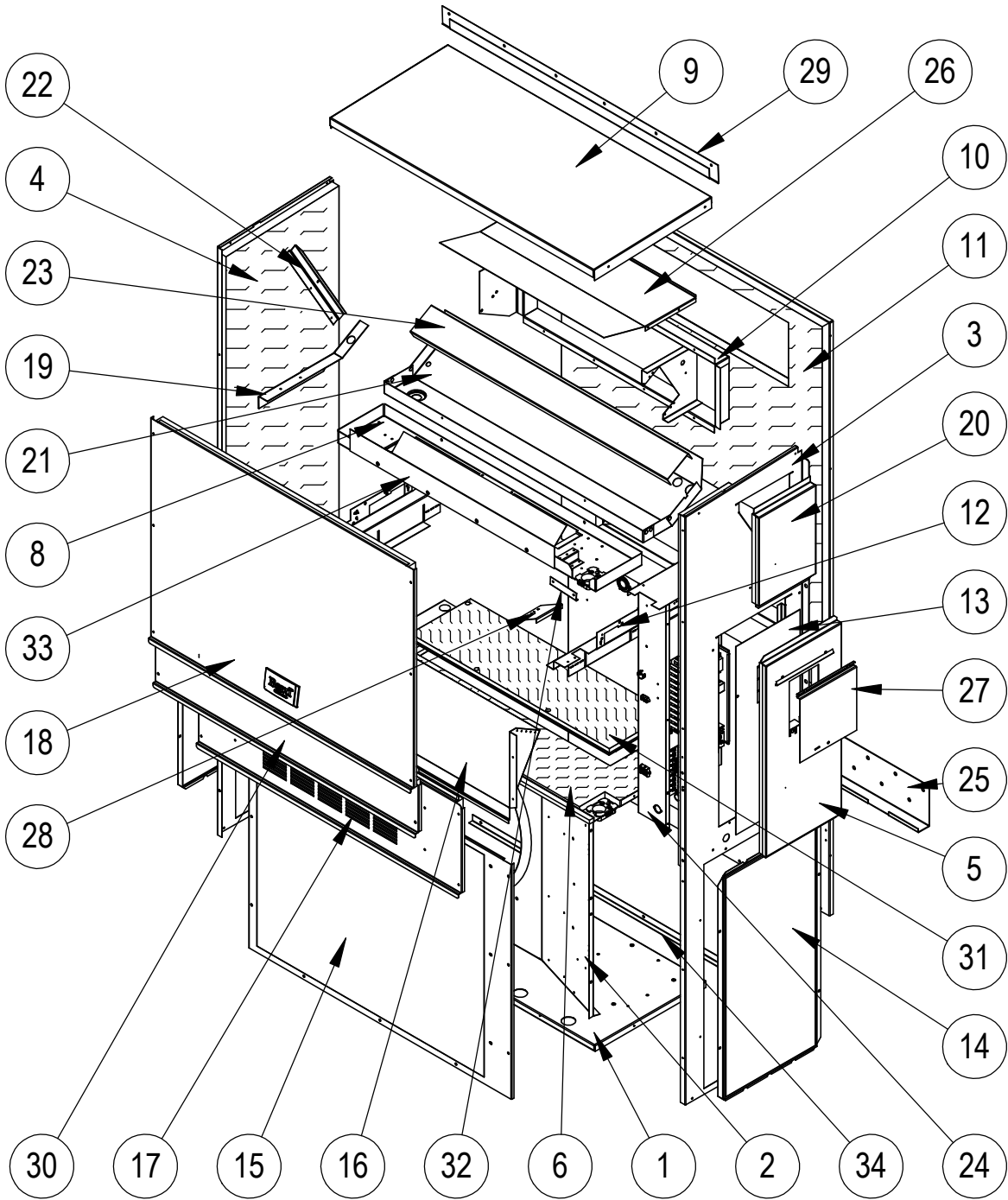


Bard Manufacturing Company, Inc.  
Bryan, Ohio 43506  
www.bardhvac.com

Manual: 2110-1533  
Supersedes: **NEW**  
Date: 1-15-16

Climate Control Solutions

# CABINET COMPONENTS



SEXP-799

# CABINET COMPONENTS

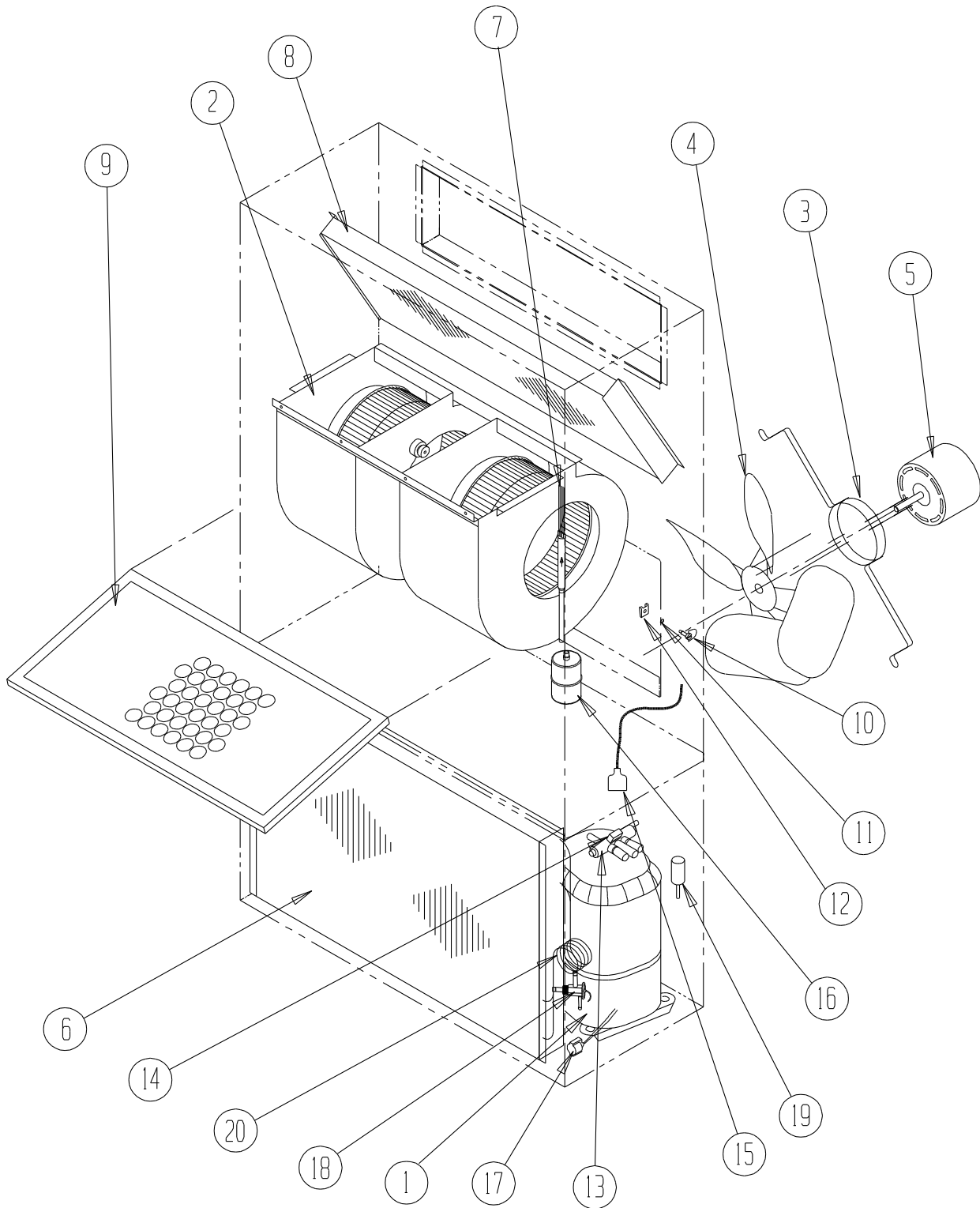
| Dwg No. | Part Number            | Description  | W30HA-A, B | W30HA-C | W30HADA, B | W30HADC | W36HA-A, B | W36HA-C | W36HADA, B | W36HADC |
|---------|------------------------|--|------------|---------|------------|---------|------------|---------|------------|---------|
| 1       | S127-471               | Lower Base   | X          | X       | X          | X       | X          | X       | X          | X       |
| 1       | S127-473 ②             | Lower Base   | X          | X       | X          | X       | X          | X       | X          | X       |
| 2       | 125-081                | Fan Shroud   | X          | X       | X          | X       | X          | X       | X          | X       |
| 2       | 125-083 ②              | Fan Shroud   | X          | X       | X          | X       | X          | X       | X          | X       |
| 3       | S501-933-* ①           | Right Side   | X          | X       | X          | X       | X          | X       | X          | X       |
| 3       | S501-939 ②             | Right Side   | X          | X       | X          | X       | X          | X       | X          | X       |
| 3       | S501-937 ③             | Right Side   | X          | X       | X          | X       | X          | X       | X          | X       |
| 4       | S501-934-* ①           | Left Side  | X          | X       | X          | X       | X          | X       | X          | X       |
| 4       | S501-938 ②             | Left Side  | X          | X       | X          | X       | X          | X       | X          | X       |
| 4       | S501-940 ③             | Left Side  | X          | X       | X          | X       | X          | X       | X          | X       |
| 5       | S533-228 ①             | Control Panel Cover (Outer)                        | X          | X       | X          | X       | X          | X       | X          | X       |
| 5       | S533-235 ②             | Control Panel Cover (Outer)                        | X          | X       | X          | X       | X          | X       | X          | X       |
| 5       | S533-236 ③             | Control Panel Cover (Outer)                        | X          | X       | X          | X       | X          | X       | X          | X       |
| 6       | S521X527               | Condenser Partition                                | X          | X       | X          | X       | X          | X       | X          | X       |
| 8       | 121X467                | Blower Partition                                   | X          | X       | X          | X       | X          | X       | X          | X       |
| 9       | S507-308-* ①           | Top  | X          | X       | X          | X       | X          | X       | X          | X       |
| 9       | S507-319 ②             | Top  | X          | X       | X          | X       | X          | X       | X          | X       |
| 9       | S507-320 ③             | Top  | X          | X       | X          | X       | X          | X       | X          | X       |
| 10      | S111X030               | Outlet Air Frame Assembly                          | X          | X       | X          | X       | X          | X       | X          | X       |
| 11      | S508-343               | Back   | X          | X       | X          | X       | X          | X       | X          | X       |
| 11      | S508-347 ②             | Back   | X          | X       | X          | X       | X          | X       | X          | X       |
| 11      | S508-345 ③             | Back   | X          | X       | X          | X       | X          | X       | X          | X       |
| 12      | 113X480                | Filter Bracket                                     | 2          | 2       | 2          | 2       | 2          | 2       | 2          | 2       |
| 13      | S132-104               | Control Panel Cover (Inner)                        | X          |         | X          |         | X          |         | X          |         |
| 13      | S132-172               | Control Panel Cover (Inner)                        |            | X       |            | X       |            | X       |            | X       |
| 14      | 118-105-* ①            | Side Grille  | 2          | 2       | 2          | 2       | 2          | 2       | 2          | 2       |
| 14      | 118-110 ②              | Side Grille  | 2          | 2       | 2          | 2       | 2          | 2       | 2          | 2       |
| 14      | 118-115 ③              | Side Grille  | 2          | 2       | 2          | 2       | 2          | 2       | 2          | 2       |
| 15      | 118-103-* ①            | Condenser Grille                                   | X          | X       | X          | X       | X          | X       | X          | X       |
| 15      | 118-108 ②              | Condenser Grille                                   | X          | X       | X          | X       | X          | X       | X          | X       |
| 15      | 118-113 ③              | Condenser Grille                                   | X          | X       | X          | X       | X          | X       | X          | X       |
| 16      | BFAD-3                 | Fresh Air Damper Assembly                          | X          | X       | X          | X       | X          | X       | X          | X       |
| 17      | S553-523-* ①           | Vent Option Door                                   | X          | X       | X          | X       | X          | X       | X          | X       |
| 17      | S553-540 ①             | Vent Option Door with ERV                          | X          | X       | X          | X       | X          | X       | X          | X       |
| 17      | S553-549 ②             | Vent Option Door                                   | X          | X       | X          | X       | X          | X       | X          | X       |
| 17      | S553-557 ②             | Vent Option Door with ERV                          | X          | X       | X          | X       | X          | X       | X          | X       |
| 17      | S553-550 ③             | Vent Option Door                                   | X          | X       | X          | X       | X          | X       | X          | X       |
| 17      | S553-558 ③             | Vent Option Door with ERV                          | X          | X       | X          | X       | X          | X       | X          | X       |
| 18      | S514-241-* ①           | Upper Front  | X          | X       | X          | X       | X          | X       | X          | X       |
| 18      | S514-238 ②             | Upper Front  | X          | X       | X          | X       | X          | X       | X          | X       |
| 18      | S514-239 ③             | Upper Front  | X          | X       | X          | X       | X          | X       | X          | X       |
| 19      | 105X850                | Side Support                                       | X          | X       | X          | X       | X          | X       | X          | X       |
| 20      | S543-175-* ①           | Right Side Cover Plate (Outer)                     | X          | X       | X          | X       | X          | X       | X          | X       |
| 20      | S543-185 ②             | Right Side Cover Plate (Outer)                     | X          | X       | X          | X       | X          | X       | X          | X       |
| 20      | S543-184 ③             | Right Side Cover Plate (Outer)                     | X          | X       | X          | X       | X          | X       | X          | X       |
| 21      | S123-127               | Drain Pan  | X          | X       | X          | X       | X          | X       | X          | X       |
| 21      | S123-141 ②③            | Drain Pan  | X          | X       | X          | X       | X          | X       | X          | X       |
| 22      | 147-044                | Evaporator Support                                 | X          | X       | X          | X       | X          | X       | X          | X       |
| 23      | 137-685                | Bottom Evaporator Fill                             | X          | X       |            |         | X          | X       |            |         |
| 23      | 137-722                | Bottom Evaporator Fill                             |            |         | X          | X       |            |         | X          | X       |
| 24      | Control Panel Assembly | See Control Panel Assy. Drawing & Parts List Assy. | X          | X       | X          | X       | X          | X       | X          | X       |
| 25      | 113-140                | Bottom Mounting Bracket                            | X          | X       | X          | X       | X          | X       | X          | X       |
| 26      | 135X123                | Heat Shield  | X          | X       | X          | X       | X          | X       | X          | X       |
| 27      | S153-218 ①             | Disconnect Access Door                             | X          | X       | X          | X       | X          | X       | X          | X       |
| 27      | S153-405 ②             | Disconnect Access Door                             | X          | X       | X          | X       | X          | X       | X          | X       |
| 27      | S153-387 ③             | Disconnect Access Door                             | X          | X       | X          | X       | X          | X       | X          | X       |
| 28      | 137-259                | Fill Plate   | X          | X       | X          | X       | X          | X       | X          | X       |
| 29      | 113-149-* ①            | Top Rain Flashing                                  | X          | X       | X          | X       | X          | X       | X          | X       |
| 29      | 113-360 ②              | Top Rain Flashing                                  | X          | X       | X          | X       | X          | X       | X          | X       |
| 29      | 113-149-4 ③            | Top Rain Flashing                                  | X          | X       | X          | X       | X          | X       | X          | X       |
| 30      | S553-524-* ①           | Filter Door  | X          | X       | X          | X       | X          | X       | X          | X       |
| 30      | S553-553 ②             | Filter Door  | X          | X       | X          | X       | X          | X       | X          | X       |
| 30      | S553-554 ③             | Filter Door  | X          | X       | X          | X       | X          | X       | X          | X       |
| 31      | S536-498               | Cond. Partition Block Off Plate                    | X          | X       | X          | X       | X          | X       | X          | X       |
| 32      | 105-1302               | Grommet Retainer                                   | X          | X       | X          | X       | X          | X       | X          | X       |
| 33      | 135-329                | Air Baffle   | X          | X       | X          | X       | X          | X       | X          | X       |
| 34      | 105-1393               | Close Off Angle                                    | X          | X       | X          | X       | X          | X       | X          | X       |

① Exterior cabinet parts are manufactured with various paint color options. To ensure the proper paint color is received, include the complete model and serial number of the unit for which cabinet parts are being ordered.

② Exterior cabinet parts are manufactured from stainless steel Code "S"

③ Exterior cabinet parts are manufactured from aluminum Code "A"

# FUNCTIONAL COMPONENTS - STANDARD UNITS



SEXP-529

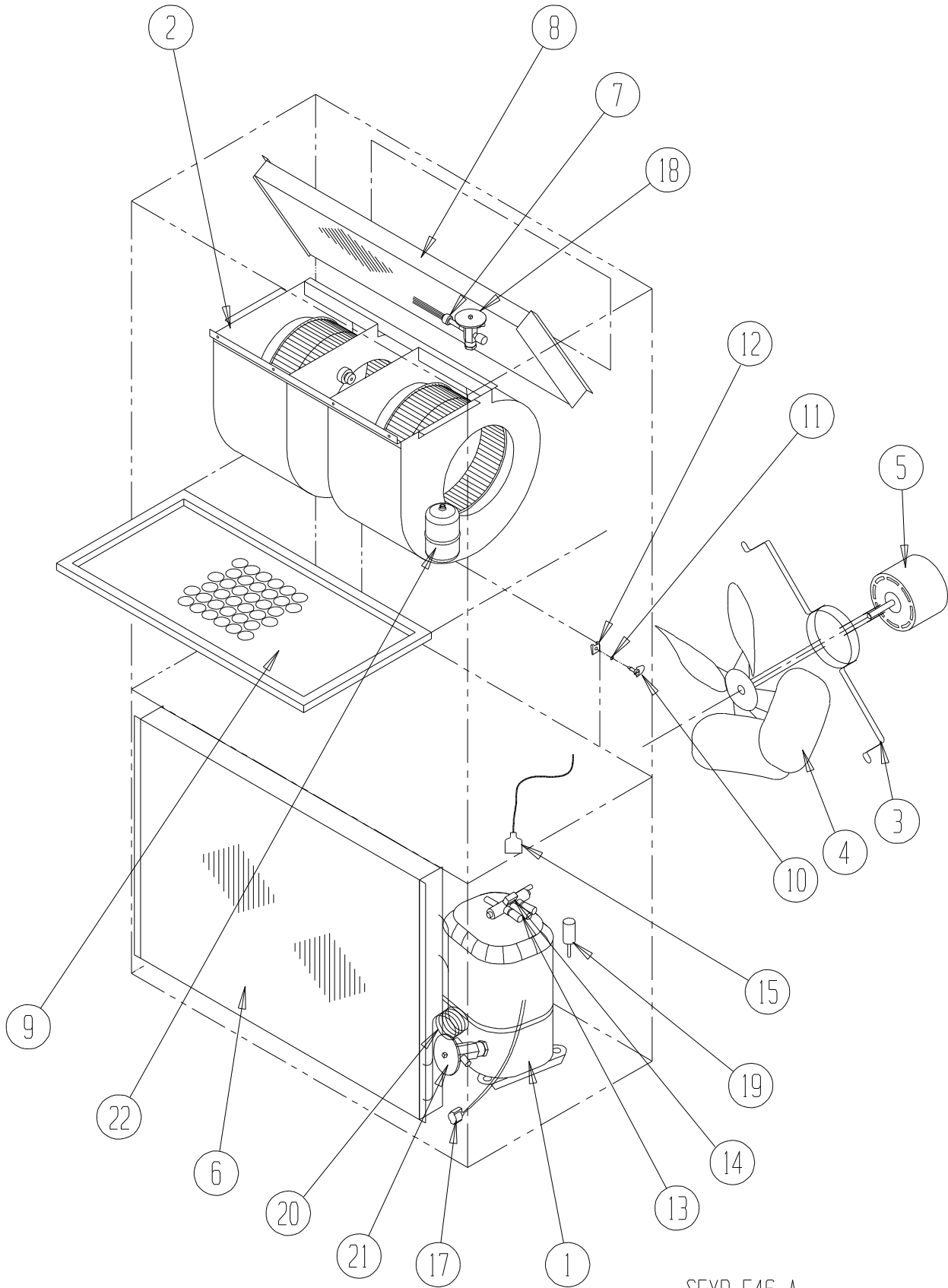
## FUNCTIONAL COMPONENTS – STANDARD UNITS

| Dwg No. | Part Number  | Description   | W30HA-A | W30HA-B | W30HA-C | W36HA-A | W36HA-A | W36HA-A |
|---------|--------------|---|---------|---------|---------|---------|---------|---------|
| 1       | 8000-298     | Compressor  | X       |         |         |         |         |         |
| 1       | 8000-299     | Compressor  |         | X       |         |         |         |         |
| 1       | 8000-300     | Compressor  |         |         | X       |         |         |         |
| 1       | 8000-278     | Compressor  |         |         |         | X       |         |         |
| 1       | 8000-283     | Compressor  |         |         |         |         | X       |         |
| 1       | 8000-342     | Compressor  |         |         |         |         |         | X       |
| NS      | 3000-1224    | Molded Compressor Wire Harness (1-PH)               | X       |         |         | X       |         |         |
| NS      | 3000-1231    | Molded Compressor Wire Harness (3-PH)               |         | X       | X       |         | X       | X       |
| 2       | S900-231     | Blower Assembly                                     | X       | X       |         | X       | X       |         |
| 2       | S900-232     | Blower Assembly                                     |         |         | X       |         |         | X       |
| 3       | 8200-001     | Fan Motor Mount                                     | X       | X       | X       | X       | X       | X       |
| 4       | 5151-045     | Fan Blade   | X       | X       | X       | X       | X       | X       |
| 5       | 8103-013     | Outdoor Fan Motor                                   | X       | X       |         | X       | X       |         |
| 5       | 8103-020     | Outdoor Fan Motor                                   |         |         | X       |         |         | X       |
| 6       | 917-0230BX   | Outdoor Coil (Includes Distributor)                 | X       | X       | X       | X       | X       | X       |
| 6       | 917-0321BX ① | Outdoor Coil – Coated (Includes Distributor)        | O       | O       | O       | O       | O       | O       |
| 7       | 5625-146     | Cooling Distributor Assembly                        | X       | X       | X       |         |         |         |
| 7       | 5625-147     | Cooling Distributor Assembly                        |         |         |         | X       | X       | X       |
| 8       | 917-0318BX   | Indoor Coil (Includes Cooling Distributor)          | X       | X       | X       |         |         |         |
| 8       | 917-0319BX ① | Indoor Coil – Coated (Includes Cooling Distributor) | O       | O       | O       |         |         |         |
| 8       | 917-0325BX   | Indoor Coil (Includes Cooling Distributor)          |         |         |         | X       | X       | X       |
| 8       | 917-0326BX ① | Indoor Coil – Coated (Includes Cooling Distributor) |         |         |         | O       | O       | O       |
| 9       | 7004-019     | Air Filter 1" Disposable                            | X       | X       | X       | X       | X       | X       |
| 9       | 7003-031 ①   | Air Filter 1" Washable                              | O       | O       | O       | O       | O       | O       |
| 9       | 7004-026 ①   | Air Filter 2" Pleated Disposable                    | O       | O       | O       | O       | O       | O       |
| 10      | 1171-022     | 1/4 Turn Fastener                                   | X       | X       | X       | X       | X       | X       |
| 11      | 1171-024     | 1/4 Turn Retainer                                   | X       | X       | X       | X       | X       | X       |
| 12      | 1171-023     | 1/4 Turn Receptacle                                 | X       | X       | X       | X       | X       | X       |
| 13      | 5650-039     | Reversing Valve w/24V Solenoid Coil                 | X       | X       | X       | X       | X       | X       |
| 14      | 5650-046     | Reversing Valve 24V Solenoid                        | X       | X       | X       | X       | X       | X       |
| 15      | 5650-044     | Molded Plug 53" Lead                                | X       | X       | X       | X       | X       | X       |
| 16      | 5201-019     | Filter Drier, Bi-Directional, 3/8" Connections      | X       | X       | X       | X       | X       | X       |
| 17      | 8620-224     | Defrost Sensor Kit                                  | X       | X       | X       | X       | X       | X       |
| 18      | 5651-200     | Heating Expansion Valve                             | X       | X       | X       |         |         |         |
| 18      | 5651-231     | Heating Expansion Valve                             |         |         |         | X       | X       | X       |
| 19      | 8406-142     | High Pressure Switch (650#) Screw On                | X       | X       | X       | X       | X       | X       |
| 20      | 5625-023     | Heating Distributor                                 | X       | X       | X       | X       | X       | X       |
| NS      | 8406-135     | Low Pressure Switch (14#) Screw On                  | X       | X       | X       | X       | X       | X       |
| NS      | 6031-009     | Coremax Valve Core (Service Port)                   | 2       | 2       | 2       | 2       | 2       | 2       |
| NS      | 8406-112 ①   | Low Ambient Fan Cycling Control (350#/225#)         | O       | O       | O       | O       | O       | O       |
| NS      | 8408-028 ①   | Outdoor Thermostat                                  | O       | O       | O       | O       | O       | O       |
| NS      | 1171-028     | Filter Door Clip                                    | X       | X       | X       | X       | X       | X       |
| NS      | 1171-057     | Filter Door Screw                                   | X       | X       | X       | X       | X       | X       |
| NS      | 1171-027     | Filter Door Screw Retainer                          | X       | X       | X       | X       | X       | X       |

NS – Not Shown  
 ① – Optional Component

X – Standard  
 O – Add-On Option

# FUNCTIONAL COMPONENTS - DEHUMIDIFICATION UNITS



SEXP-546 A

# FUNCTIONAL COMPONENTS – DEHUMIDIFICATION UNITS

| Dwg No. | Part Number  | Description   | W30HADA | W30HADB | W30HADC | W36HADA | W36HADA | W36HADA |
|---------|--------------|---|---------|---------|---------|---------|---------|---------|
| 1       | 8000-298     | Compressor  | X       |         |         |         |         |         |
| 1       | 8000-299     | Compressor  |         | X       |         |         |         |         |
| 1       | 8000-300     | Compressor  |         |         | X       |         |         |         |
| 1       | 8000-278     | Compressor  |         |         |         | X       |         |         |
| 1       | 8000-283     | Compressor  |         |         |         |         | X       |         |
| 1       | 8000-342     | Compressor  |         |         |         |         |         | X       |
| NS      | 3000-1224    | Molded Compressor Wire Harness (1-PH)               | X       |         |         | X       |         |         |
| NS      | 3000-1231    | Molded Compressor Wire Harness (3-PH)               |         | X       | X       |         | X       | X       |
| 2       | S900-231     | Blower Assembly                                     | X       | X       |         | X       | X       |         |
| 2       | S900-232     | Blower Assembly                                     |         |         | X       |         |         | X       |
| 3       | 8200-001     | Fan Motor Mount                                     | X       | X       | X       | X       | X       | X       |
| 4       | 5151-045     | Fan Blade   | X       | X       | X       | X       | X       | X       |
| 5       | 8103-013     | Outdoor Fan Motor                                   | X       | X       |         | X       | X       |         |
| 5       | 8103-020     | Outdoor Fan Motor                                   |         |         | X       |         |         | X       |
| 6       | 917-0230BX   | Outdoor Coil (Includes Distributor)                 | X       | X       | X       | X       | X       | X       |
| 6       | 917-0321BX   | Outdoor Coil – Coated (Includes Distributor)        | O       | O       | O       | O       | O       | O       |
| 7       | 5625-007     | Cooling Distributor Assembly                        | X       | X       | X       |         |         |         |
| 7       | 5625-010     | Cooling Distributor Assembly                        |         |         |         | X       | X       | X       |
| 8       | 917-0281BX   | Indoor Coil (Includes Cooling Distributor)          | X       | X       | X       |         |         |         |
| 8       | 917-0324BX ① | Indoor Coil – Coated (Includes Cooling Distributor) | O       | O       | O       |         |         |         |
| 8       | 917-0279BX   | Indoor Coil (Includes Cooling Distributor)          |         |         |         | X       | X       | X       |
| 8       | 917-0329BX ① | Indoor Coil – Coated (Includes Cooling Distributor) |         |         |         | O       | O       | O       |
| 9       | 7004-019     | Air Filter 1" Disposable                            | X       | X       | X       | X       | X       | X       |
| 9       | 7003-031 ①   | Air Filter 1" Washable                              | O       | O       | O       | O       | O       | O       |
| 9       | 7004-026 ①   | Air Filter 2" Pleated Disposable                    | O       | O       | O       | O       | O       | O       |
| 10      | 1171-022     | 1/4 Turn Fastener                                   | X       | X       | X       | X       | X       | X       |
| 11      | 1171-024     | 1/4 Turn Retainer                                   | X       | X       | X       | X       | X       | X       |
| 12      | 1171-023     | 1/4 Turn Receptacle                                 | X       | X       | X       | X       | X       | X       |
| 13      | 5650-039     | Reversing Valve w/24V Solenoid Coil                 | X       | X       | X       | X       | X       | X       |
| 14      | 5650-046     | Reversing Valve 24V Solenoid                        | X       | X       | X       | X       | X       | X       |
| 15      | 5650-044     | Molded Plug 53" Lead                                | X       | X       | X       | X       | X       | X       |
| 16      | 5201-019     | Filter Drier, Bi-Directional, 3/8" Connections      | X       | X       | X       | X       | X       | X       |
| 17      | 8620-224     | Defrost Sensor Kit                                  | X       | X       | X       | X       | X       | X       |
| 18      | 5651-200     | Heating Expansion Valve                             | X       | X       | X       |         |         |         |
| 18      | 5651-233     | Heating Expansion Valve                             |         |         |         | X       | X       | X       |
| 19      | 8406-142     | High Pressure Switch (650#) Screw On                | X       | X       | X       | X       | X       | X       |
| 20      | 5625-023     | Heating Distributor                                 | X       | X       | X       | X       | X       | X       |
| 21      | 5651-200     | Heating Expansion Valve                             | X       | X       | X       |         |         |         |
| 21      | 5651-231     | Heating Expansion Valve                             |         |         |         | X       | X       | X       |
| NS      | 8406-135     | Low Pressure Switch (14#) Screw On                  | X       | X       | X       | X       | X       | X       |
| NS      | 6031-009     | Coremax Valve Core (Service Port)                   | 2       | 2       | 2       | 2       | 2       | 2       |
| NS      | 5650-051     | Dehumidification Mode Valve                         | X       | X       | X       | X       | X       | X       |
| NS      | 5651-219     | Dehumidification Check Valves                       | 2       | 2       | 2       | 2       | 2       | 2       |
| NS      | 8406-112 ①   | Low Ambient Fan Cycling Control (350#/225#)         | O       | O       | O       | O       | O       | O       |
| NS      | 8408-028 ①   | Outdoor Thermostat                                  | O       | O       | O       | O       | O       | O       |
| NS      | 1171-028     | Filter Door Clip                                    | X       | X       | X       | X       | X       | X       |
| NS      | 1171-057     | Filter Door Screw                                   | X       | X       | X       | X       | X       | X       |
| NS      | 1171-027     | Filter Door Screw Retainer                          | X       | X       | X       | X       | X       | X       |

NS – Not Shown  
 ① – Optional Component

X – Standard  
 O – Add-On Option





# CONTROL PANEL – 230 VOLT 1 PHASE UNITS

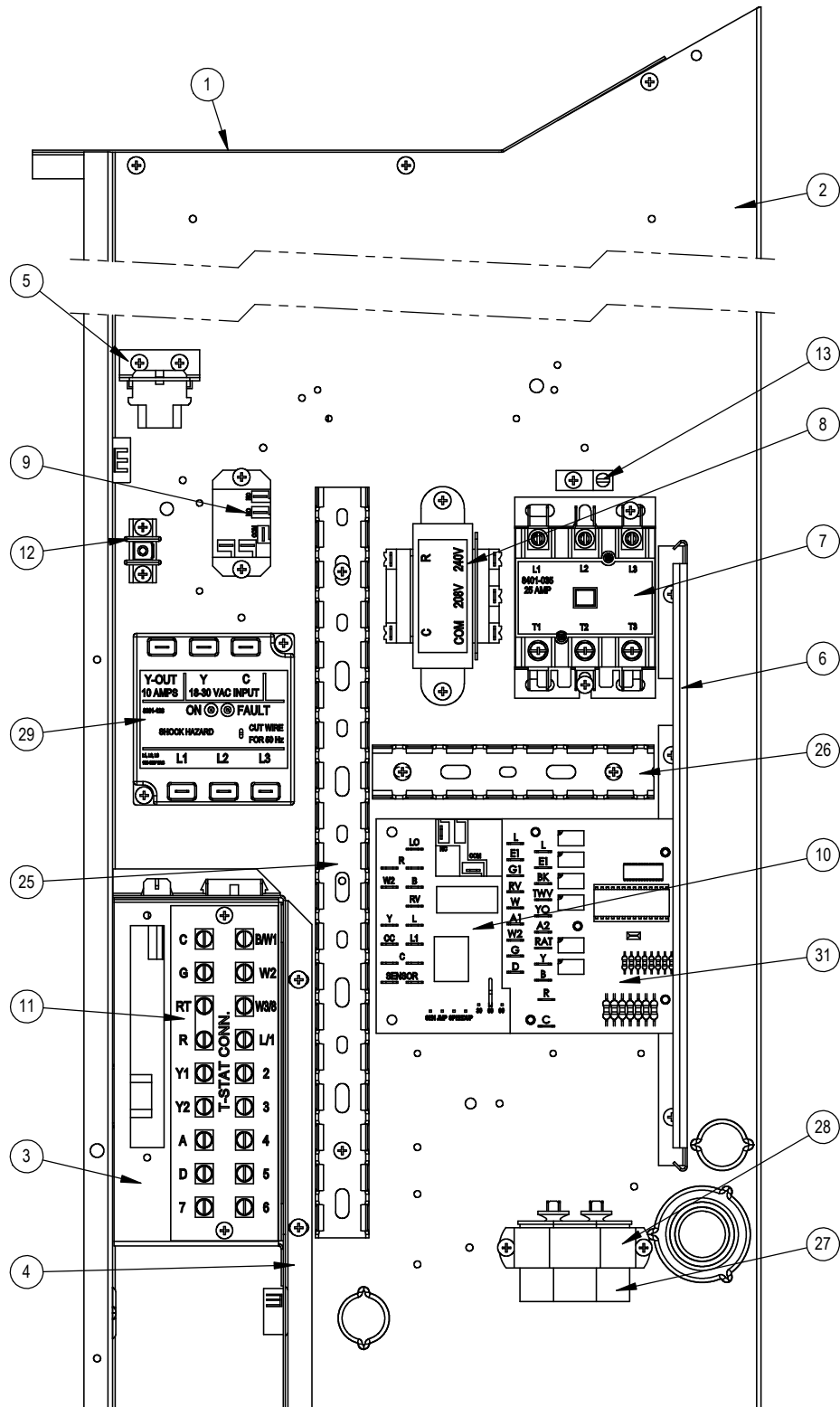
| Dwg No. | Part Number   | Description  | W30HA-A | W30HADA | W36HA-A | W36HADA |
|---------|---------------|--|---------|---------|---------|---------|
| 1       | 117X137       | Control Panel Top - RH (Sheet Metal Only)                            | X       | X       | X       | X       |
| 2       | 117X374       | Control Panel - RH (Sheet Metal Only)                                | X       | X       | X       | X       |
| 3       | 117X375       | Low Voltage Box - RH (Sheet Metal Only)                              | X       | X       | X       | X       |
| 4       | 117X385       | Low Voltage Partition - RH (Sheet Metal Only)                        | X       | X       | X       | X       |
| NS      | 3000-1494     | Low Voltage Wire Harness (behind LVTS)                               | X       | X       | X       | X       |
| NS      | S910-2002     | Complete Low Voltage Box Assembly (Sheet Metal, LVTS & Wire Harness) | X       | X       | X       | X       |
| 5       | 141-188       | Plug Support Bracket (Sheet Metal)                                   | X       | X       | X       | X       |
| 6       | 135-122       | Wire Shield (Sheet Metal)  | X       | X       | X       | X       |
| 7       | 8401-033      | Contactora 2-Pole  | X       | X       | X       | X       |
| 8       | 8407-035      | Transformer 208/240-24, 50VA   | X       | X       | X       | X       |
| 9       | 8201-130      | Relay, SPDT  | X       | X       | X       | X       |
| 10      | 8620-223      | Defrost Board Replacement Kit  | X       | X       | X       | X       |
| 11      | 8607-044      | Terminal Strip   | X       | X       | X       | X       |
| 12      | 8607-041      | Park Terminal  | X       | X       | X       | X       |
| 13      | 8611-006      | Ground Lug   | X       | X       | X       | X       |
| 25      | 8611-140-1400 | 14" Cable Duct   | X       | X       | X       | X       |
| 26      | 8611-140-0500 | 5" Cable Duct  | X       | X       | X       | X       |
| 27      | 8552-052      | Capacitor 45+5/370 V, 2-1/2" Round                                   | X       | X       | X       | X       |
| 28      | 8550-008      | Capacitor Strap, 2-1/2" Round  | X       | X       | X       | X       |
| 31      | 8201-113      | Dehumidification Logic Control Board                                 |         | X       |         | X       |
| NS      | 3003-038      | Main Control Panel Wire Harness                                      | X       |         | X       |         |
| NS      | 3003-041      | Main Control Panel Wire Harness                                      |         | X       |         | X       |
| NS      | 8201-086 ①    | LAC and/or ODT Relay   | O       | O       | O       | O       |
| NS      | 8408-028 ①    | Outdoor Thermostat   | O       | O       | O       | O       |

NS – Not Shown  
 ① – Optional

X – Standard  
 O – Add-On Option



# CONTROL PANEL - 230 VOLT 3 PHASE UNITS



SEXP-849

## CONTROL PANEL – 230 VOLT 3 PHASE UNITS

| Dwg No. | Part Number   | Description  | W30HA-B | W30HADB | W36HA-B | W36HADB |
|---------|---------------|--|---------|---------|---------|---------|
| 1       | 117X137       | Control Panel Top - RH (Sheet Metal Only)                            | X       | X       | X       | X       |
| 2       | 117X374       | Control Panel - RH (Sheet Metal Only)                                | X       | X       | X       | X       |
| 3       | 117X375       | Low Voltage Box - RH (Sheet Metal Only)                              | X       | X       | X       | X       |
| 4       | 117X385       | Low Voltage Partition - RH (Sheet Metal Only)                        | X       | X       | X       | X       |
| NS      | 3000-1494     | Low Voltage Wire Harness (behind LVTS)                               | X       | X       | X       | X       |
| NS      | S910-2002     | Complete Low Voltage Box Assembly (Sheet Metal, LVTS & Wire Harness) | X       | X       | X       | X       |
| 5       | 141-188       | Plug Support Bracket (Sheet Metal)                                   | X       | X       | X       | X       |
| 6       | 135-122       | Wire Shield (Sheet Metal)  | X       | X       | X       | X       |
| 7       | 8401-035      | Contactor 3-Pole   | X       | X       | X       | X       |
| 8       | 8407-035      | Transformer 208/240-24, 50VA   | X       | X       | X       | X       |
| 9       | 8201-130      | Relay, SPDT  | X       | X       | X       | X       |
| 10      | 8620-223      | Defrost Board Replacement Kit  | X       | X       | X       | X       |
| 11      | 8607-044      | Terminal Strip   | X       | X       | X       | X       |
| 12      | 8607-041      | Park Terminal  | X       | X       | X       | X       |
| 13      | 8611-006      | Ground Lug   | X       | X       | X       | X       |
| 25      | 8611-140-1400 | 14" Cable Duct   | X       | X       | X       | X       |
| 26      | 8611-140-0500 | 5" Cable Duct  | X       | X       | X       | X       |
| 27      | 8552-002      | Capacitor 5/370 V, 1-1/4" Oval                                       | X       | X       | X       | X       |
| 28      | 8550-003      | Capacitor Strap, 1-1/4" Oval   | X       | X       | X       | X       |
| 29      | 8201-126      | 3 Phase Line Monitor   | X       | X       | X       | X       |
| 31      | 8201-113      | Dehumidification Logic Control Board                                 |         | X       |         | X       |
| NS      | 3003-039      | Main Control Panel Wire Harness                                      | X       |         | X       |         |
| NS      | 3003-042      | Main Control Panel Wire Harness                                      |         | X       |         | X       |
| NS      | 8201-086 ①    | LAC and/or ODT Accessory Relay                                       | 0       | 0       | 0       | 0       |
| NS      | 8408-028 ①    | Outdoor Thermostat   | 0       | 0       | 0       | 0       |

NS – Not Shown

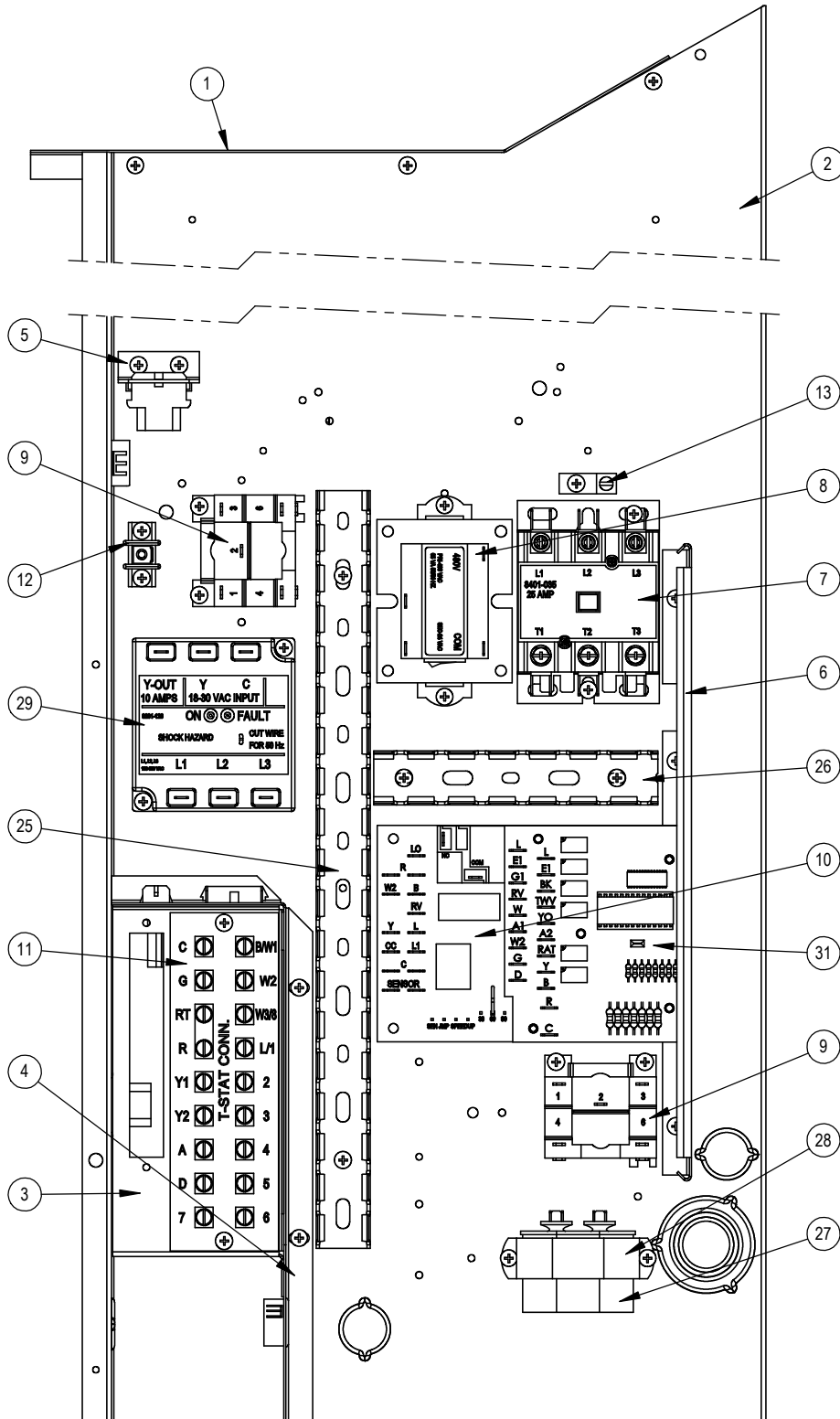
① – Optional

X – Standard

O – Add-On Option



# CONTROL PANEL - 460 VOLT 3 PHASE UNITS



SEXP-850

## CONTROL PANEL – 460 VOLT 3 PHASE UNITS

| Dwg No. | Part Number   | Description  | W30HA-C | W30HADC | W36HA-C | W36HADC |
|---------|---------------|--|---------|---------|---------|---------|
| 1       | 117X137       | Control Panel Top - RH (Sheet Metal Only)                            | X       | X       | X       | X       |
| 2       | 117X374       | Control Panel - RH (Sheet Metal Only)                                | X       | X       | X       | X       |
| 3       | 117X375       | Low Voltage Box - RH (Sheet Metal Only)                              | X       | X       | X       | X       |
| 4       | 117X385       | Low Voltage Partition - RH (Sheet Metal Only)                        | X       | X       | X       | X       |
| NS      | 3000-1494     | Low Voltage Wire Harness (behind LVTS)                               | X       | X       | X       | X       |
| NS      | S910-2002     | Complete Low Voltage Box Assembly (Sheet Metal, LVTS & Wire Harness) | X       | X       | X       | X       |
| 5       | 141-188       | Plug Support Bracket (Sheet Metal)                                   | X       | X       | X       | X       |
| 6       | 135-122       | Wire Shield (Sheet Metal)  | X       | X       | X       | X       |
| 7       | 8401-035      | Contactor 3-Pole   | X       | X       | X       | X       |
| 8       | 8407-042      | Transformer 480-24, 50VA   | X       | X       | X       | X       |
| 9       | 8201-132      | Relay, SPDT, 3 FLA@480V  | X       | X       | X       | X       |
| 10      | 8620-223      | Defrost Board Replacement Kit  | X       | X       | X       | X       |
| 11      | 8607-044      | Terminal Strip   | X       | X       | X       | X       |
| 12      | 8607-041      | Park Terminal  | X       | X       | X       | X       |
| 13      | 8611-006      | Ground Lug   | X       | X       | X       | X       |
| 25      | 8611-140-1400 | 14" Cable Duct   | X       | X       | X       | X       |
| 26      | 8611-140-0500 | 5" Cable Duct  | X       | X       | X       | X       |
| 27      | 8552-002      | Capacitor 5/370 V, 1-1/4" Oval                                       | X       | X       | X       | X       |
| 28      | 8550-003      | Capacitor Strap, 1-1/4" Oval   | X       | X       | X       | X       |
| 29      | 8201-126      | 3 Phase Line Monitor   | X       | X       | X       | X       |
| 31      | 8201-113      | Dehumidification Logic Control Board                                 |         | X       |         | X       |
| NS      | 3003-040      | Main Control Panel Wire Harness                                      | X       |         | X       |         |
| NS      | 3003-043      | Main Control Panel Wire Harness                                      |         | X       |         | X       |
| NS      | 8201-086 ①    | LAC and/or ODT Accessory Relay                                       | 0       | 0       | 0       | 0       |
| NS      | 8408-028 ①    | Outdoor Thermostat   | 0       | 0       | 0       | 0       |

NS – Not Shown

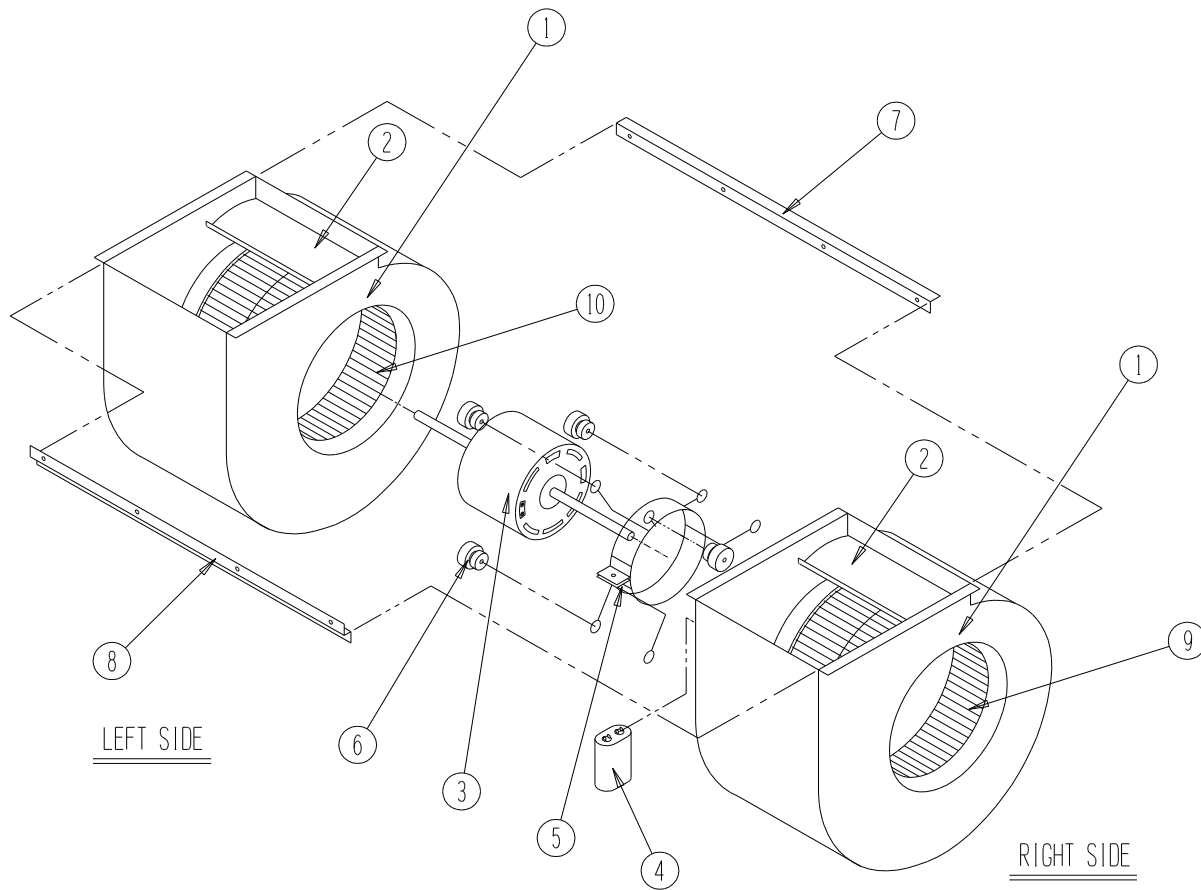
① – Optional

X – Standard

0 – Add-On Option



# BLOWER ASSEMBLY



SEXP-346

| Dwg No. | Part Number | Description            | S900-231 | S900-232 |
|---------|-------------|------------------------|----------|----------|
| 1       | 151-111     | Housing                | 2        | 2        |
| 2       | 144-174     | Diffuser               | 2        | 2        |
| 3       | 8105-029    | Blower Motor (230/208) | X        |          |
| 3       | 8105-033    | Blower Motor (460)     |          | X        |
| 4       | 8552-002    | Capacitor              | X        | X        |
| 5       | 8200-031    | Motor Mount            | X        | X        |
| 6       | 5451-011    | Grommets               | 6        | 6        |
| 7       | 105-870     | Back Brace             | X        | X        |
| 8       | 103-401     | Front Brace            | X        | X        |
| 9       | 5152-090    | Wheel CW               | X        | X        |
| 10      | 5152-091    | Wheel CCW              | X        | X        |