
REPLACEMENT PARTS MANUAL

WALL MOUNTED PACKAGED HEAT PUMP

Models:

J18HA-A J24HA-A
J24HA-B
J24HA-C

Contents

Description	Page
Cabinet Components	
♦ Exploded View	2
♦ Usage List	3
Functional Components	
♦ Exploded View	4
♦ Usage List	5
Control Panel – 230 Volt 1 Phase Units	
♦ Layout View	6
♦ Usage List	7
Control Panel – 230 Volt 3 Phase Units	
♦ Layout View	8
♦ Usage List	9
Control Panel – 460 Volt 3 Phase Units	
♦ Layout View	10
♦ Usage List	11
Blower Assembly	
♦ Exploded View	12
♦ Usage List	12

General Notes

- Revised and/or additional pages may be issued from time to time.
- A complete and current manual consists of pages shown in the following contents section.

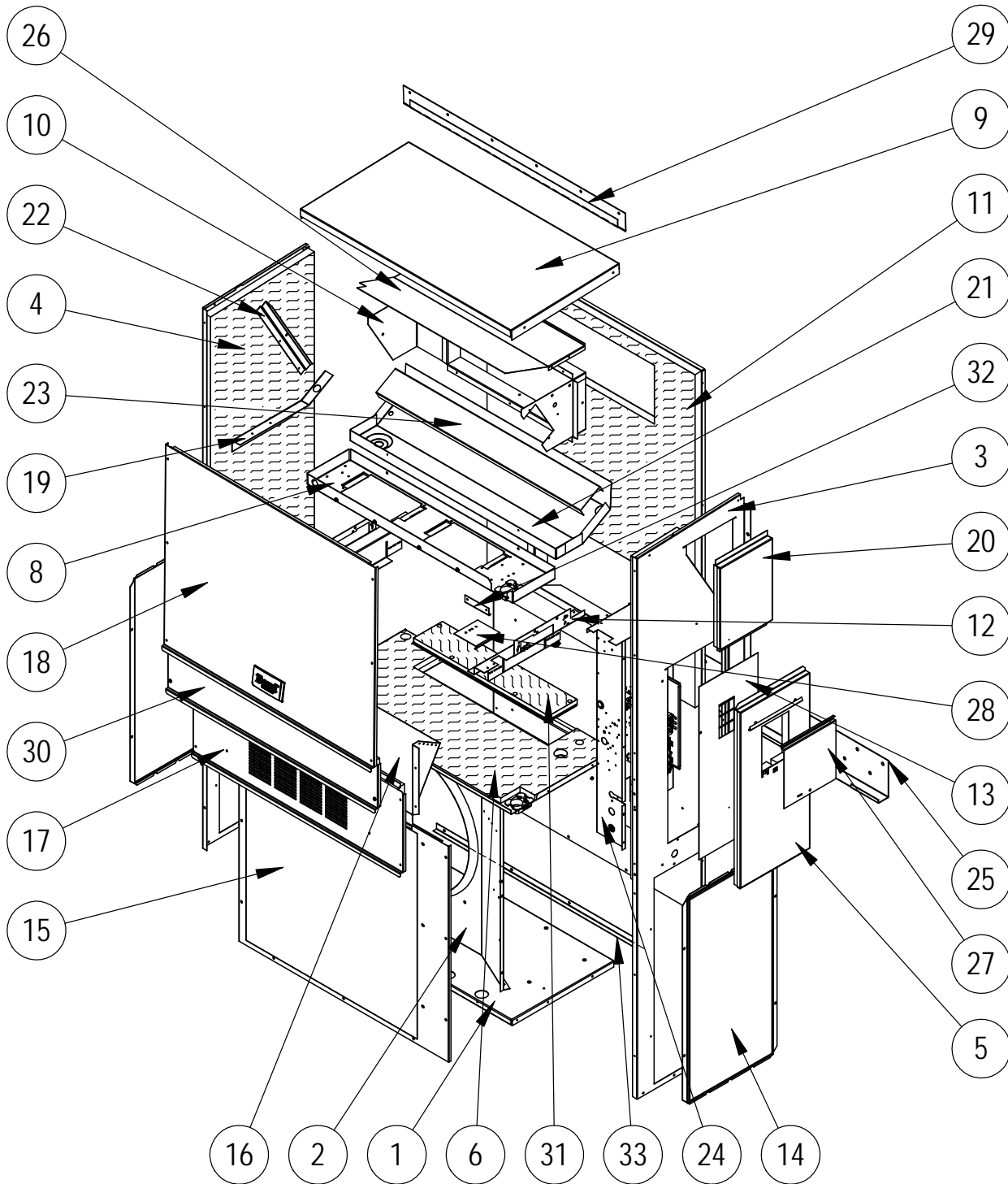
Important

- Contact the installing and/or local Bard distributor for all parts requirements. Make sure to have the complete model and serial number available from the unit rating plates.



Manual: 2110-1534C
Supersedes: 2110-1534B
Date: 6-19-19

CABINET COMPONENTS

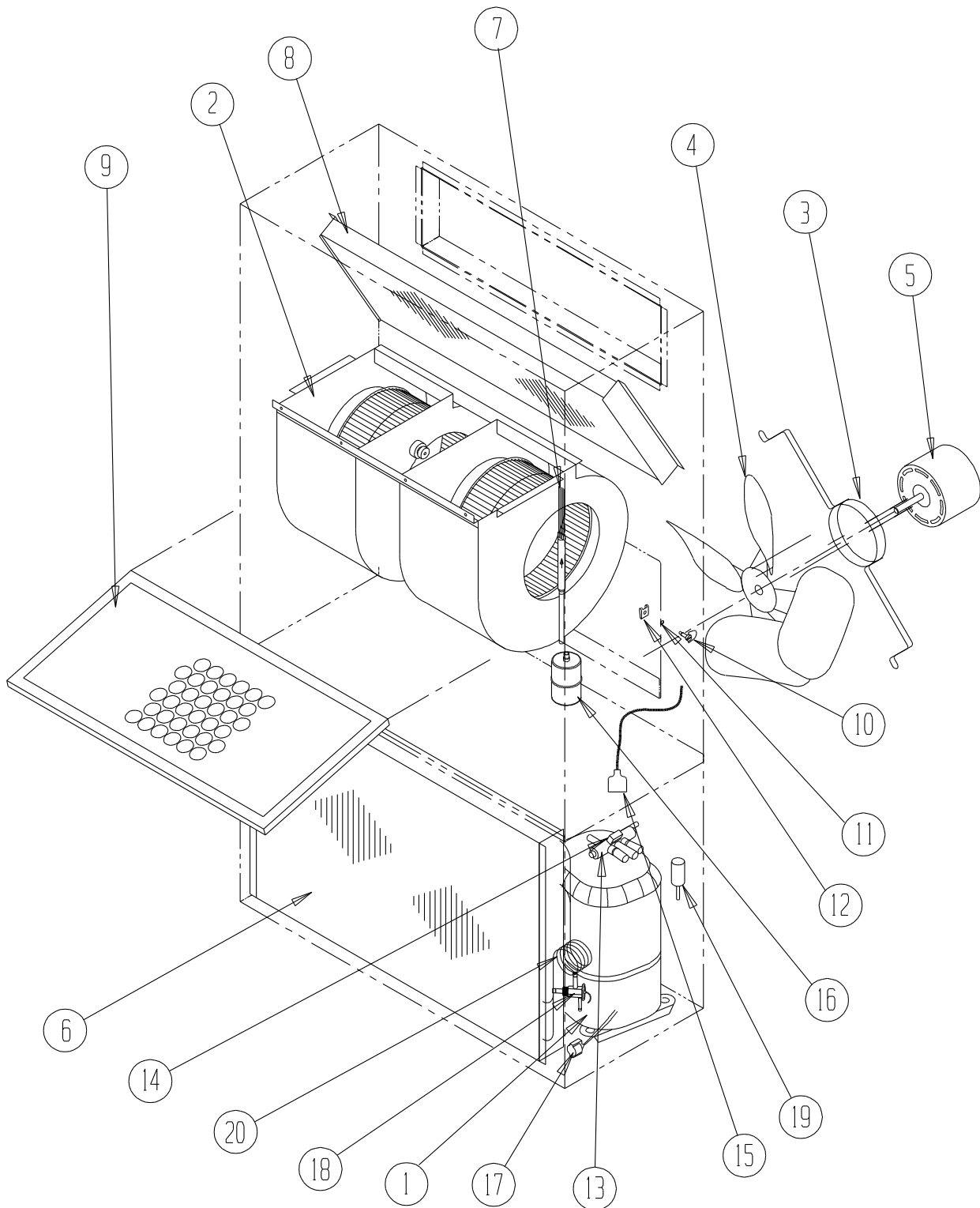


SEXP-804

CABINET COMPONENTS

Dwg No.	Part Number	Description	J18HA-A	J24HA-A, B	J24HA-C
1	127-467	Lower Base	X	X	X
2	125-080	Fan Shroud	X	X	X
3	S501-933-X	Right Side	X	X	X
4	S501-934-X	Left Side	X	X	X
5	S533-228-X	Control Panel Cover (Outer)	X	X	X
6	S521X528	Condenser Partition	X	X	X
8	121X480	Blower Partition	X	X	X
9	S507-311-X	Top	X	X	X
10	S111X032	Outlet Air Frame Assembly	X	X	X
11	S508-342	Back	X	X	X
12	113X480	Filter Bracket	2	2	2
13	S132-104	Control Panel Cover (Inner)	X	X	
13	S132-172	Control Panel Cover (Inner)			X
14	118-124-X	Side Grille	2	2	2
15	118-101-X	Condenser Grille	X	X	X
16	BFAD-2	Fresh Air Damper Assembly	X	X	X
17	S553-537-X	Vent Option Door	X	X	X
17	S553-539	Vent Option Door with ERV	X	X	X
18	S514-240-X	Upper Front	X	X	X
19	105X850	Side Support	X	X	X
20	S543-175-X	Right Side Cover Plate (Outer)	X	X	X
21	S123-126	Drain Pan	X	X	X
22	147-044	Evaporator Support	X	X	X
23	137-694	Bottom Evaporator Fill	X	X	X
24	Control Panel Assembly	See Control Panel Assy. Drawing & Parts List Assy.	X	X	X
25	113-140	Bottom Mounting Bracket	X	X	X
26	135X127	Heat Shield	X	X	X
27	S153-218	Disconnect Access Door	X	X	X
28	137-259	Fill Plate	X	X	X
29	113-141-X	Top Rain Flashing	X	X	X
30	S553-538-X	Filter Door	X	X	X
31	S536-176	Cond. Partition Block Off Plate	X	X	X
32	105-1302	Grommet Retainer	X	X	X
33	105-1392	Close Off Angle	X	X	X

FUNCTIONAL COMPONENTS



SEXP-529

FUNCTIONAL COMPONENTS

Dwg No.	Part Number	Description	J18HA-A	J24HA-A	J24HA-B	J24HA-C
1	8000-313	Compressor	X			
1	8000-314	Compressor		X		
1	8000-315	Compressor			X	
1	8000-316	Compressor				X
NS	3000-1224	Molded Compressor Wire Harness (1-PH)	X	X		
NS	3000-1231	Molded Compressor Wire Harness (3-PH)			X	X
2	S900-291	Blower Assembly	X			
2	S900-326	Blower Assembly		X	X	
2	S900-327	Blower Assembly				X
3	8200-001	Fan Motor Mount	X	X	X	X
4	5151-033	Fan Blade	X	X	X	
4	5151-046	Fan Blade				X
5	8103-028	Outdoor Fan Motor	X	X	X	
5	8103-030	Outdoor Fan Motor				X
6	917-0309BX	Outdoor Coil (Includes Distributor)	X			
6	917-0313BX	Outdoor Coil (Includes Distributor)		X	X	X
7	5625-145	Cooling Distributor Assembly	X			
7	5625-151	Cooling Distributor Assembly		X	X	X
8	917-0307BX	Indoor Coil (Includes Cooling Distributor)	X			
8	917-0311BX	Indoor Coil (Includes Cooling Distributor)		X	X	X
9	7004-025	Air Filter 16" x 25" x 2" Pleated Disposable	X	X	X	X
9	7004-011 ①	Air Filter 16" x 25" x 1" Disposable	O	O	O	O
9	7003-032 ①	Air Filter 16" x 25" x 1" Washable	O	O	O	O
10	1171-022	1/4 Turn Fastener	X	X	X	X
11	1171-024	1/4 Turn Retainer	X	X	X	X
12	1171-023	1/4 Turn Receptacle	X	X	X	X
13	5650-038	Reversing Valve w/24V Solenoid Coil	X	X	X	X
14	5650-046	Reversing Valve 24V Solenoid	X	X	X	X
15	5650-044	Molded Plug 53" Lead	X	X	X	X
16	5201-019	Filter Drier, Bi-Directional, 3/8" Connections	X	X	X	X
17	8620-224	Defrost Sensor Kit	X	X	X	X
18	5651-218	Heating Expansion Valve	X	X	X	X
19	8406-142	High Pressure Switch (650#) Screw On	X	X	X	X
20	5625-016	Heating Distributor	X			
20	5625-014	Heating Distributor		X	X	X
NS	8406-135	Low Pressure Switch (14#) Screw On	X	X	X	X
NS	6031-009	Coremax Valve Core (Service Port)	2	2	2	2
NS	8406-112 ①	Low Ambient Fan Cycling Control (350#/225#)	O	O	O	O
NS	8408-028 ①	Outdoor Thermostat	O	O	O	O
NS	1171-028	Filter Door Clip	X	X	X	X
NS	1171-057	Filter Door Screw	X	X	X	X
NS	1171-027	Filter Door Screw Retainer	X	X	X	X

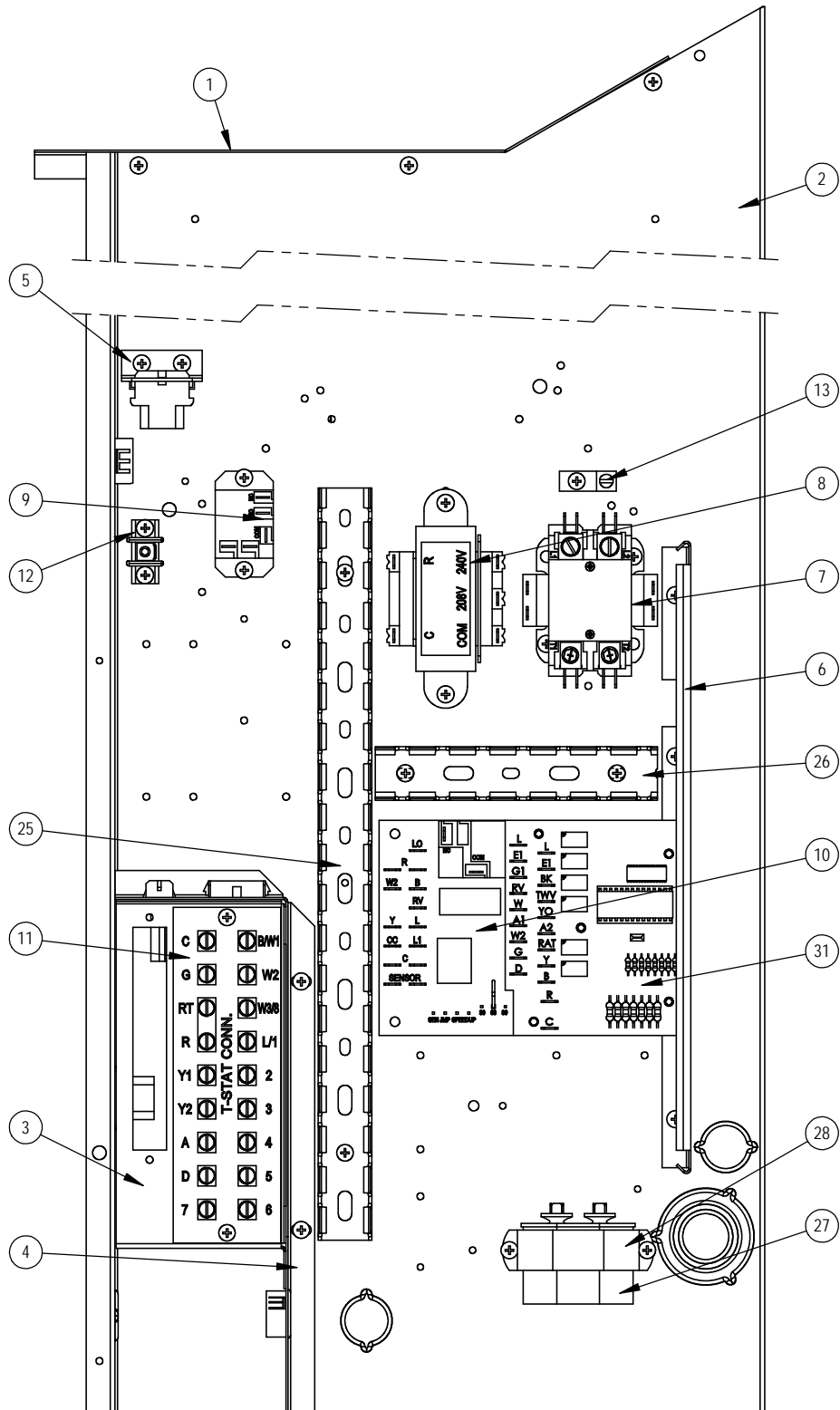
NS – Not Shown

① – Optional Component

X – Standard

O – Add-On Option

CONTROL PANEL - 230 VOLT 1 PHASE UNITS



SEXP-848

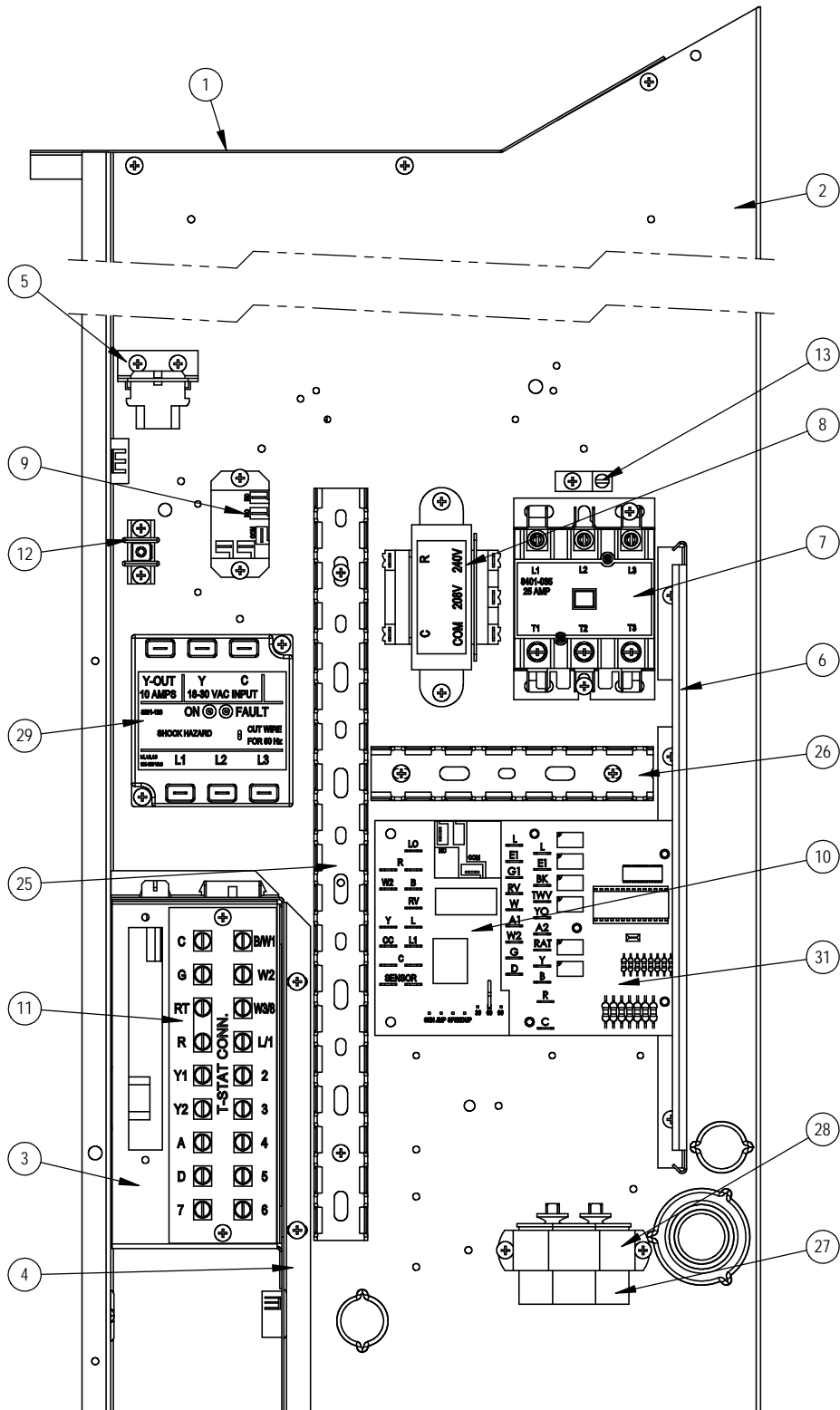
CONTROL PANEL – 230 VOLT 1 PHASE UNITS

Dwg No.	Part Number	Description	J18HA-A	J24HA-A
1	117X137	Control Panel Top - RH (Sheet Metal Only)	X	X
2	117X374	Control Panel - RH (Sheet Metal Only)	X	X
3	117X375	Low Voltage Box - RH (Sheet Metal Only)	X	X
4	117X385	Low Voltage Partition - RH (Sheet Metal Only)	X	X
NS	3000-1494	Low Voltage Wire Harness (behind LVTS)	X	X
NS	S910-2002	Complete Low Voltage Box Assembly (Sheet Metal, LVTS & Wire Harness)	X	X
5	141-188	Plug Support Bracket (Sheet Metal)	X	X
6	135-122	Wire Shield (Sheet Metal)	X	X
7	8401-033	Contactors 2-Pole	X	X
8	8407-068	Transformer 208/240-24, 50VA	X	X
9	8201-130	Relay, SPDT	X	X
10	8620-223	Defrost Board Replacement Kit	X	X
11	8607-044	Terminal Strip	X	X
12	8607-041	Park Terminal	X	X
13	8611-006	Ground Lug	X	X
25	8611-140-1400	14" Cable Duct	X	X
26	8611-140-0500	5" Cable Duct	X	X
27	8552-047	Capacitor 30+5/370 V, 2-1/2" Round	X	
27	8552-050	Capacitor 40+5/370 V, 2-1/2" Round		X
28	8550-008	Capacitor Strap, 2-1/2" Round	X	X
NS	3003-038	Main Control Panel Wire Harness	X	X
NS	8201-086 ①	LAC and/or ODT Relay	O	O
NS	8408-028 ①	Outdoor Thermostat	O	O

NS – Not Shown
 ① – Optional

X – Standard
 O – Add-On Option

CONTROL PANEL - 230 VOLT 3 PHASE UNITS



SEXP-849

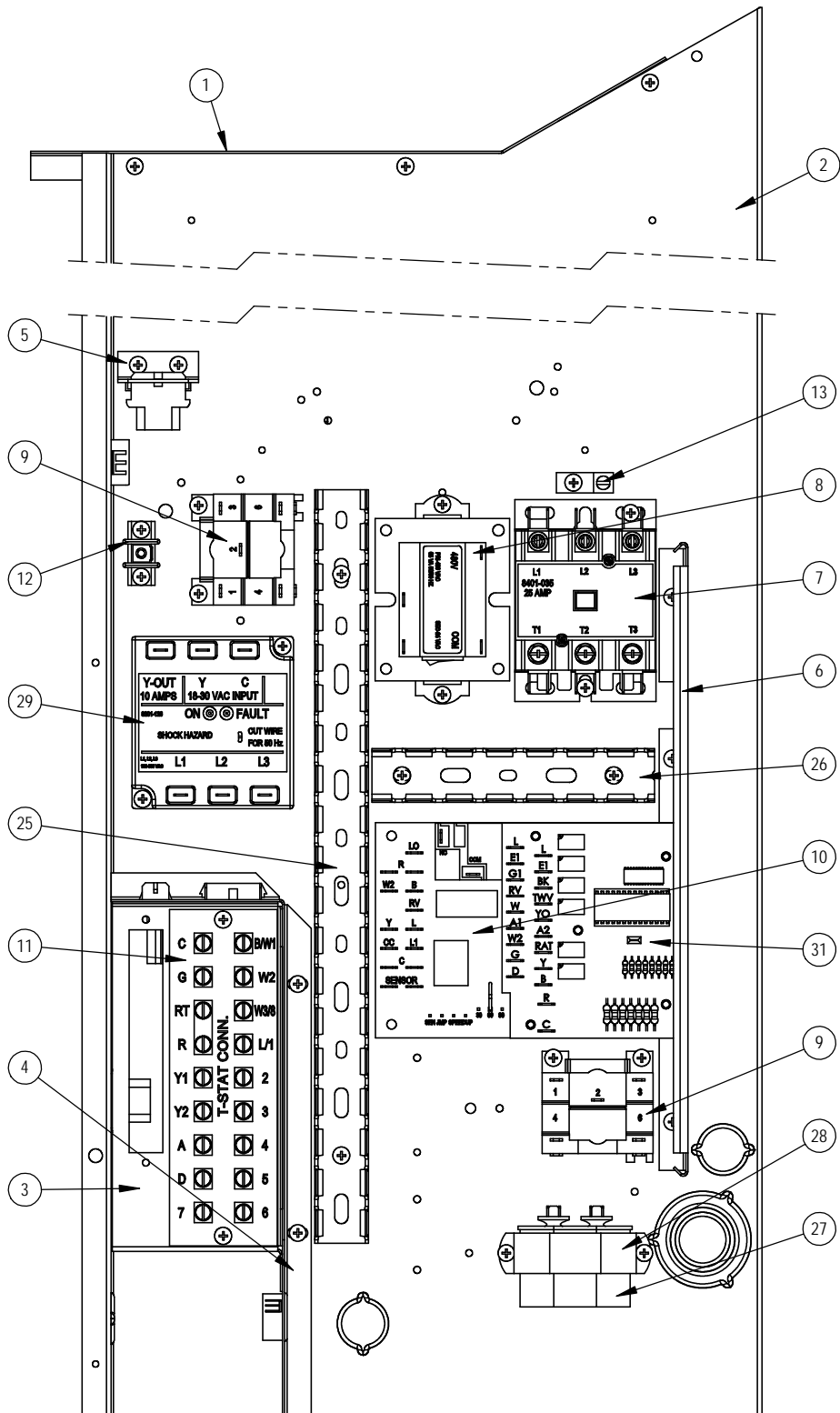
CONTROL PANEL – 230 VOLT 3 PHASE UNITS

Dwg No.	Part Number	Description	J24HA-B
1	117X137	Control Panel Top - RH (Sheet Metal Only)	X
2	117X374	Control Panel - RH (Sheet Metal Only)	X
3	117X375	Low Voltage Box - RH (Sheet Metal Only)	X
4	117X385	Low Voltage Partition - RH (Sheet Metal Only)	X
NS	3000-1494	Low Voltage Wire Harness (behind LVTS)	X
NS	S910-2002	Complete Low Voltage Box Assembly (Sheet Metal, LVTS & Wire Harness)	X
5	141-188	Plug Support Bracket (Sheet Metal)	X
6	135-122	Wire Shield (Sheet Metal)	X
7	8401-035	Contactors 3-Pole	X
8	8407-068	Transformer 208/240-24, 50VA	X
9	8201-130	Relay, SPDT	X
10	8620-223	Defrost Board Replacement Kit	X
11	8607-044	Terminal Strip	X
12	8607-041	Park Terminal	X
13	8611-006	Ground Lug	X
25	8611-140-1400	14" Cable Duct	X
26	8611-140-0500	5" Cable Duct	X
27	8552-002	Capacitor 5/370 V, 1-1/4" Oval	X
28	8550-003	Capacitor Strap, 1-1/4" Oval	X
29	8201-126	3 Phase Line Monitor	X
NS	3003-039	Main Control Panel Wire Harness	X
NS	8201-086 ①	LAC and/or ODT Accessory Relay	O
NS	8408-028 ①	Outdoor Thermostat	O

NS – Not Shown
 ① – Optional

X – Standard
 O – Add-On Option

CONTROL PANEL - 460 VOLT 3 PHASE UNITS



SEXP-850

CONTROL PANEL – 460 VOLT 3 PHASE UNITS

Dwg No.	Part Number	Description	J24HA-C
1	117X137	Control Panel Top - RH (Sheet Metal Only)	X
2	117X374	Control Panel - RH (Sheet Metal Only)	X
3	117X375	Low Voltage Box - RH (Sheet Metal Only)	X
4	117X385	Low Voltage Partition - RH (Sheet Metal Only)	X
NS	3000-1494	Low Voltage Wire Harness (behind LVTS)	X
NS	S910-2002	Complete Low Voltage Box Assembly (Sheet Metal, LVTS & Wire Harness)	X
5	141-188	Plug Support Bracket (Sheet Metal)	X
6	135-122	Wire Shield (Sheet Metal)	X
7	8401-035	Contactors 3-Pole	X
8	8407-069	Transformer 480-24, 50VA	X
9	8201-132	Relay, SPDT, 3 FLA@480V	X
10	8620-223	Defrost Board Replacement Kit	X
11	8607-044	Terminal Strip	X
12	8607-041	Park Terminal	X
13	8611-006	Ground Lug	X
25	8611-140-1400	14" Cable Duct	X
26	8611-140-0500	5" Cable Duct	X
27	8552-002	Capacitor 5/370 V, 1-1/4" Oval	X
28	8550-003	Capacitor Strap, 1-1/4" Oval	X
29	8201-126	3 Phase Line Monitor	X
NS	3003-040	Main Control Panel Wire Harness	X
NS	8201-086 ①	LAC and/or ODT Accessory Relay	O
NS	8408-028 ①	Outdoor Thermostat	O

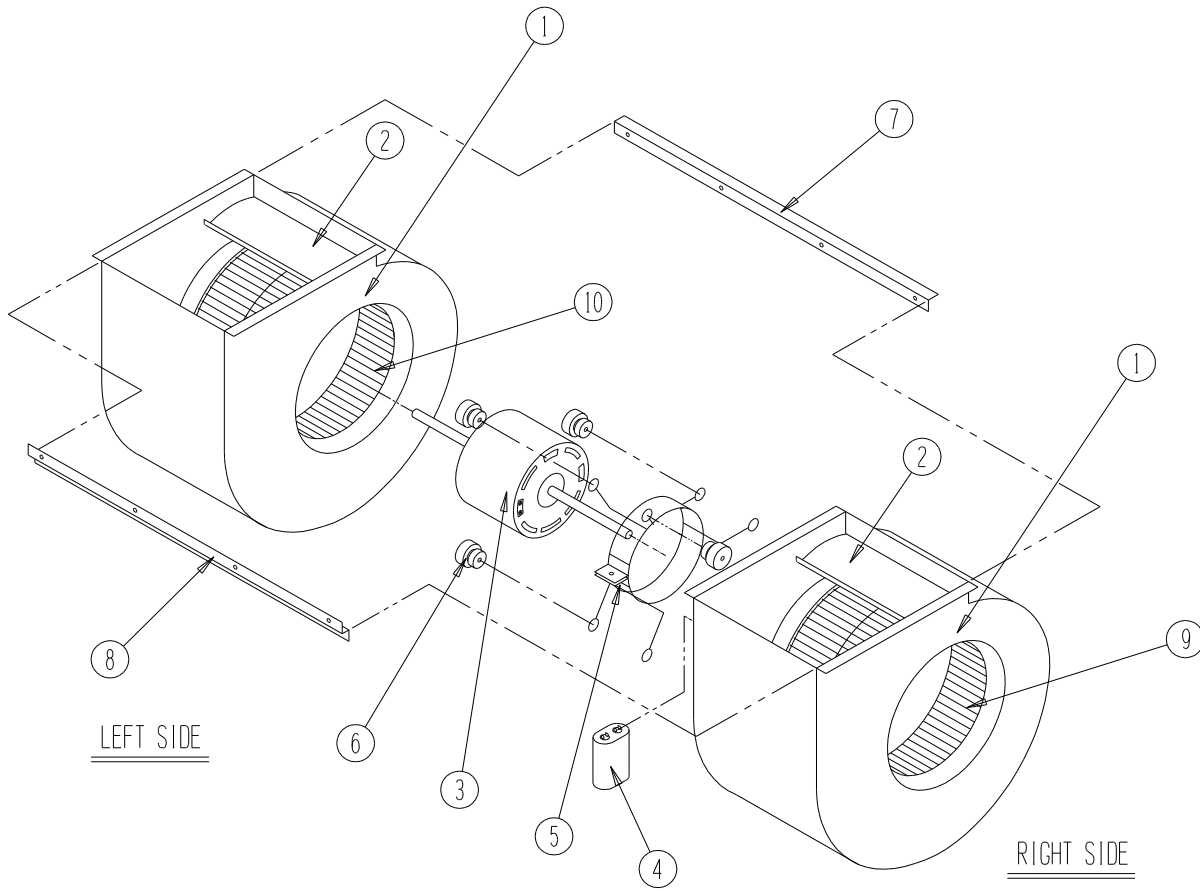
NS – Not Shown

① – Optional

X – Standard

O – Add-On Option

BLOWER ASSEMBLY



SEXP-346

Dwg No.	Part Number	Description	S900-326	S900-327	S900-291
1	151-115	Housing	2	2	2
2	144-183	Cutoff	X	X	X
3	8102-016	Blower Motor (230/208)	X		
3	8102-017	Blower Motor (460)		X	
3	8102-014	Blower Motor (230/208)			X
4	8552-002	Capacitor			X
4	8552-004	Capacitor	X	X	
5	8200-031	Motor Mount	X	X	X
6	5451-011	Grommets	6	6	6
7	105-1061	Back Brace	X	X	X
8	103-435	Front Brace	X	X	X
9	5152-092	Wheel 9-6 CW	X	X	X
10	5152-093	Wheel 9-6 CCW	X	X	X