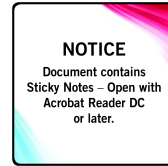


# REPLACEMENT PARTS MANUAL

## I-TEC® SERIES PACKAGED HEAT PUMP



Models:

I30H1-A I30H1DA I36H1-A I36H1DA I42H1-A I42H1DA I48H1-A I48H1DA I60H1-A I60H1DA  
I30H1-B I30H1DB I36H1-B I36H1DB I42H1-B I42H1DB I48H1-B I48H1DB I60H1-B I60H1DB  
I30H1-C I30H1DC I36H1-C I36H1DC I42H1-C I42H1DC I48H1-C I48H1DC I60H1-C I60H1DC

| Description                             | Page    | Description  | Page |
|---|---------|--|------|
| Wiring Diagram Charts                   |         | Modulating CRV Control Panel Components  |      |
| • Matrix .....                          | 2 - 3   | • Exploded View .....  | 28   |
| Cabinet Components                      |         | • Usage List .....   | 29   |
| • Exploded View .....                   | 4       | ERV Components   |      |
| • Usage List .....                      | 5       | • Exploded View .....  | 30   |
| Painted Cabinet Components              |         | • Usage List .....   | 31   |
| • Exploded View .....                   | 6       | ERV Control Panel Components   |      |
| • Usage List .....                      | 7       | • Exploded View .....  | 32   |
| Functional Components                   |         | • Usage List .....   | 33   |
| • Exploded View .....                   | 8       | ERV Cassette Components  |      |
| • Usage List .....                      | 9       | • Exploded View .....  | 34   |
| • Usage List .....                      | 10      | • Usage List .....   | 35   |
| Blower Assembly                         |         | CRV/ERV Blower Components  |      |
| • Exploded View .....                   | 11      | • Exploded View .....  | 36   |
| • Usage List .....                      | 11      | • Usage List .....   | 37   |
| Control Panel Components - 1 Phase      |         | Sleeve Components  |      |
| • Exploded View .....                   | 12      | • Exploded View .....  | 38   |
| • Usage List .....                      | 13      | • Usage List .....   | 39   |
| Control Panel Components - 3 Phase      |         | Riser Platform Components  |      |
| • Exploded View .....                   | 14      | • Exploded View .....  | 40   |
| • Usage List .....                      | 15      | • Usage List .....   | 41   |
| Control Panel Components - 460V 3 Phase |         | <b>General Notes</b>   |      |
| • Exploded View .....                   | 16      | ➤ Revised and/or additional pages may be issued from time to time.   |      |
| • Usage List .....                      | 17      | ➤ A complete and current manual consists of pages shown in the following contents section.   |      |
| Electric Heater Components              |         | <b>Important</b>   |      |
| • Exploded View .....                   | 18      | ➤ Contact the installing and/or local Bard distributor for all parts requirements. Be sure to have the complete model and serial number available from the unit rating plates. |      |
| • Usage Lists .....                     | 19 - 21 |  |      |
| Vent Box (Only) Components              |         |  |      |
| • Exploded View .....                   | 22      |  |      |
| • Usage List .....                      | 23      |  |      |
| CRV Components                          |         |  |      |
| • Exploded View .....                   | 24      |  |      |
| • Usage List .....                      | 25      |  |      |
| Modulating CRV Components               |         |  |      |
| • Exploded View .....                   | 26      |  |      |
| • Usage List .....                      | 27      |  |      |



Bard Manufacturing Company, Inc.  
Bryan, Ohio 43506  
www.bardhvac.com

Manual: 2110-1538F  
Supersedes: 2110-1538E  
Date: 1-31-19

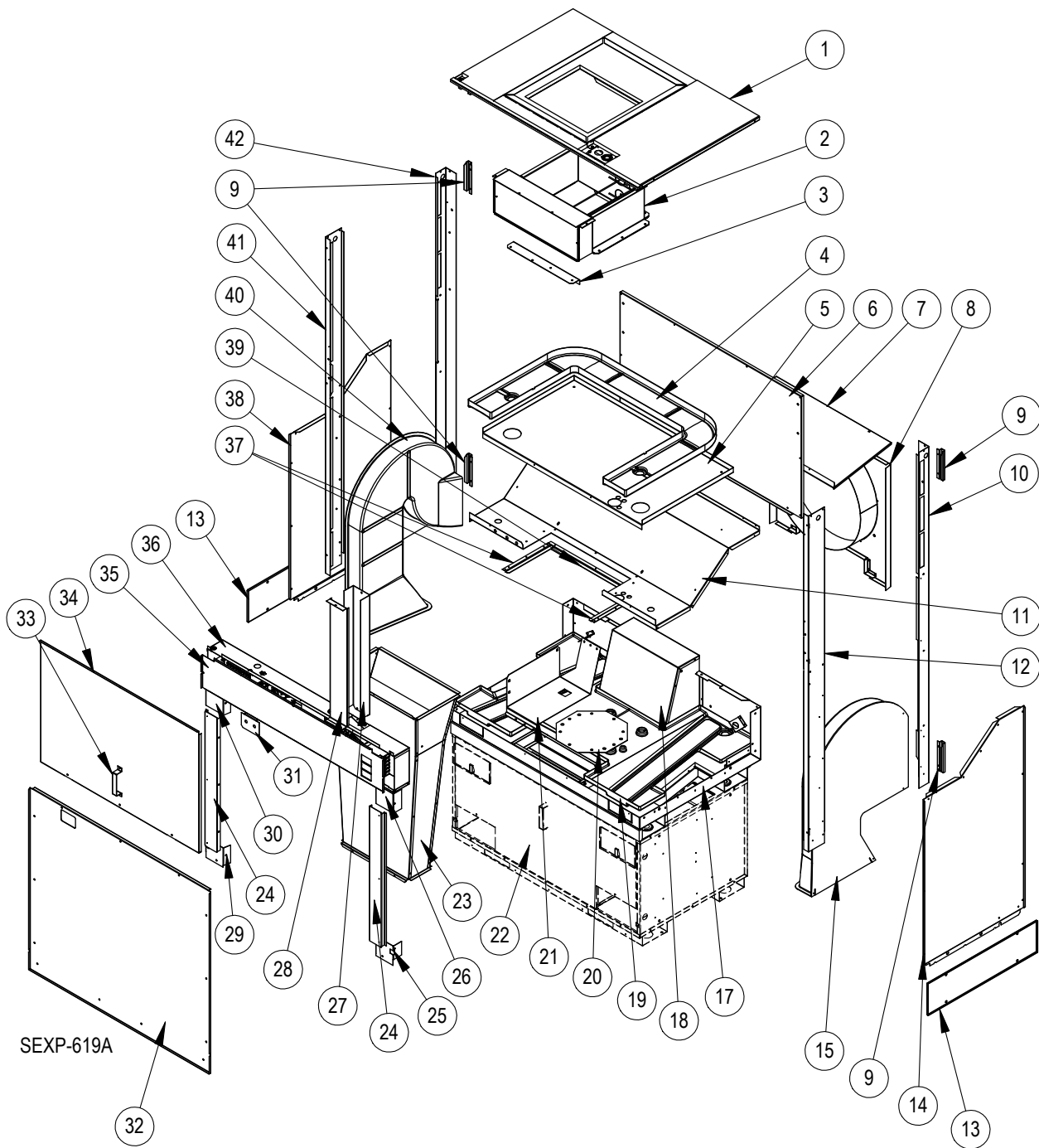
# I\*\*H1 SERIES WIRING DIAGRAM MATRIX

| Model   | Wiring Diagram | Ventilation Package                   | Wiring Diagram | Heater | Wiring Diagram |
|---------|----------------|---------------------------------------|----------------|--------|----------------|
| I30H1-A | 4202-101H      | Commercial Room Ventilator            | 4204-103A      | 0KW    | 4203-100B      |
|         |                | Energy Recovery Ventilator            | 4204-104B      | 5KW    | 4203-101B      |
|         |                | Economizer                            | 4204-105       | 10KW   | 4203-103B      |
|         |                | Modulating Commercial Room Ventilator | 4204-106       |        |                |
| I30H1-B | 4202-201H      | Commercial Room Ventilator            | 4204-103A      | 0KW    | 4203-200B      |
|         |                | Energy Recovery Ventilator            | 4204-104B      | 6KW    | 4203-201C      |
|         |                | Economizer                            | 4204-105       | 9KW    | 4203-201C      |
|         |                | Modulating Commercial Room Ventilator | 4204-106       |        |                |
| I30H1-C | 4202-301H      | Commercial Room Ventilator            | 4204-103A      | 0KW    | 4203-300C      |
|         |                | Energy Recovery Ventilator            | 4204-104B      | 6KW    | 4203-301D      |
|         |                | Economizer                            | 4204-105       | 9KW    | 4203-301D      |
|         |                | Modulating Commercial Room Ventilator | 4204-106       |        |                |
| I36H1-A | 4202-101H      | Commercial Room Ventilator            | 4204-103A      | 0KW    | 4203-100B      |
|         |                | Energy Recovery Ventilator            | 4204-104B      | 5KW    | 4203-101B      |
|         |                | Economizer                            | 4204-105       | 10KW   | 4203-103B      |
|         |                | Modulating Commercial Room Ventilator | 4204-106       | 15KW   | 4203-104B      |
| I36H1-B | 4202-201H      | Commercial Room Ventilator            | 4204-103A      | 0KW    | 4203-200B      |
|         |                | Energy Recovery Ventilator            | 4204-104B      | 6KW    | 4203-201C      |
|         |                | Economizer                            | 4204-105       | 9KW    | 4203-201C      |
|         |                | Modulating Commercial Room Ventilator | 4204-106       | 15KW   | 4203-202B      |
| I36H1-C | 4202-301H      | Commercial Room Ventilator            | 4204-103A      | 0KW    | 4203-300C      |
|         |                | Energy Recovery Ventilator            | 4204-104B      | 6KW    | 4203-301D      |
|         |                | Economizer                            | 4204-105       | 9KW    | 4203-301D      |
|         |                | Modulating Commercial Room Ventilator | 4204-106       | 15KW   | 4203-302D      |
| I42H1-A | 4202-101H      | Commercial Room Ventilator            | 4204-103A      | 0KW    | 4203-100B      |
|         |                | Energy Recovery Ventilator            | 4204-104B      | 5KW    | 4203-101B      |
|         |                | Economizer                            | 4204-105       | 10KW   | 4203-103B      |
|         |                | Modulating Commercial Room Ventilator | 4204-106       | 15KW   | 4203-104B      |
| I42H1-B | 4202-201H      | Commercial Room Ventilator            | 4204-103A      | 0KW    | 4203-200B      |
|         |                | Energy Recovery Ventilator            | 4204-104B      | 6KW    | 4203-201C      |
|         |                | Economizer                            | 4204-105       | 9KW    | 4203-201C      |
|         |                | Modulating Commercial Room Ventilator | 4204-106       | 15KW   | 4203-202B      |
| I42H1-C | 4202-301H      | Commercial Room Ventilator            | 4204-103A      | 0KW    | 4203-300A      |
|         |                | Energy Recovery Ventilator            | 4204-104B      | 6KW    | 4203-301D      |
|         |                | Economizer                            | 4204-105       | 9KW    | 4203-301D      |
|         |                | Modulating Commercial Room Ventilator | 4204-106       | 15KW   | 4203-302D      |
| I48H1-A | 4202-101G      | Commercial Room Ventilator            | 4204-103A      | 0KW    | 4203-100B      |
|         |                | Energy Recovery Ventilator            | 4204-104B      | 4KW    | 4203-101B      |
|         |                | Economizer                            | 4204-105       | 5KW    | 4203-102B      |
|         |                | Modulating Commercial Room Ventilator | 4204-106       | 10KW   | 4203-103B      |
|         |                |                                       |                | 15KW   | 4203-104B      |
|         |                |                                       |                | 20KW   | 4203-105B      |
| I48H1-B | 4202-201H      | Commercial Room Ventilator            | 4204-103A      | 0KW    | 4203-200B      |
|         |                | Energy Recovery Ventilator            | 4204-104B      | 6KW    | 4203-201C      |
|         |                | Economizer                            | 4204-105       | 9KW    | 4203-201C      |
|         |                | Modulating Commercial Room Ventilator | 4204-106       | 15KW   | 4203-202B      |
|         |                |                                       |                | 18KW   | 4203-202B      |
| I48H1-C | 4202-301H      | Commercial Room Ventilator            | 4204-103A      | 0KW    | 4203-300C      |
|         |                | Energy Recovery Ventilator            | 4204-104B      | 6KW    | 4203-301D      |
|         |                | Economizer                            | 4204-105       | 9KW    | 4203-301D      |
|         |                | Modulating Commercial Room Ventilator | 4204-106       | 15KW   | 4203-302D      |
|         |                |                                       |                | 18KW   | 4203-302D      |
| I60H1-A | 4202-101H      | Commercial Room Ventilator            | 4204-103A      | 0KW    | 4203-100B      |
|         |                | Energy Recovery Ventilator            | 4204-104B      | 4KW    | 4203-101B      |
|         |                | Economizer                            | 4204-105       | 5KW    | 4203-102B      |
|         |                | Modulating Commercial Room Ventilator | 4204-106       | 10KW   | 4203-103B      |
|         |                |                                       |                | 15KW   | 4203-104B      |
|         |                |                                       |                | 20KW   | 4203-105B      |
| I60H1-B | 4202-201H      | Commercial Room Ventilator            | 4204-103A      | 0KW    | 4203-200B      |
|         |                | Energy Recovery Ventilator            | 4204-104B      | 6KW    | 4203-201C      |
|         |                | Economizer                            | 4204-105       | 9KW    | 4203-201C      |
|         |                | Modulating Commercial Room Ventilator | 4204-106       | 15KW   | 4203-202B      |
|         |                |                                       |                | 18KW   | 4203-203B      |
| I60H1-C | 4202-301H      | Commercial Room Ventilator            | 4204-103A      | 0KW    | 4203-300C      |
|         |                | Energy Recovery Ventilator            | 4204-104B      | 6KW    | 4203-301D      |
|         |                | Economizer                            | 4204-105       | 9KW    | 4203-301D      |
|         |                | Modulating Commercial Room Ventilator | 4204-106       | 15KW   | 4203-302D      |
|         |                |                                       |                | 18KW   | 4203-302D      |

# I\* \*H1 SERIES WIRING DIAGRAM MATRIX

| Model   | Wiring Diagram | Ventilation Package                   | Wiring Diagram | Heater | Wiring Diagram |
|---------|----------------|---------------------------------------|----------------|--------|----------------|
| I30H1DA | 4202-102I      | Commercial Room Ventilator            | 4204-103A      | 0KW    | 4203-100B      |
|         |                | Energy Recovery Ventilator            | 4204-104B      | 5KW    | 4203-101B      |
|         |                | Economizer                            | 4204-105       | 10KW   | 4203-103B      |
|         |                | Modulating Commercial Room Ventilator | 4204-106       |        |                |
| I30H1DB | 4202-202I      | Commercial Room Ventilator            | 4204-103A      | 0KW    | 4203-200B      |
|         |                | Energy Recovery Ventilator            | 4204-104B      | 6KW    | 4203-201C      |
|         |                | Economizer                            | 4204-105       | 9KW    | 4203-201C      |
|         |                | Modulating Commercial Room Ventilator | 4204-106       |        |                |
| I30H1DC | 4202-302I      | Commercial Room Ventilator            | 4204-103A      | 0KW    | 4203-300C      |
|         |                | Energy Recovery Ventilator            | 4204-104B      | 6KW    | 4203-301D      |
|         |                | Economizer                            | 4204-105       | 9KW    | 4203-301D      |
|         |                | Modulating Commercial Room Ventilator | 4204-106       |        |                |
| I36H1DA | 4202-102I      | Commercial Room Ventilator            | 4204-103A      | 0KW    | 4203-100B      |
|         |                | Energy Recovery Ventilator            | 4204-104B      | 5KW    | 4203-101B      |
|         |                | Economizer                            | 4204-105       | 10KW   | 4203-103B      |
|         |                | Modulating Commercial Room Ventilator | 4204-106       | 15KW   | 4203-104B      |
| I36H1DB | 4202-202I      | Commercial Room Ventilator            | 4204-103A      | 0KW    | 4203-200B      |
|         |                | Energy Recovery Ventilator            | 4204-104B      | 6KW    | 4203-201C      |
|         |                | Economizer                            | 4204-105       | 9KW    | 4203-201C      |
|         |                | Modulating Commercial Room Ventilator | 4204-106       | 15KW   | 4203-202B      |
| I36H1DC | 4202-302I      | Commercial Room Ventilator            | 4204-103A      | 0KW    | 4203-300C      |
|         |                | Energy Recovery Ventilator            | 4204-104B      | 6KW    | 4203-301D      |
|         |                | Economizer                            | 4204-105       | 9KW    | 4203-301D      |
|         |                | Modulating Commercial Room Ventilator | 4204-106       | 15KW   | 4203-302D      |
| I42H1DA | 4202-102I      | Commercial Room Ventilator            | 4204-103A      | 0KW    | 4203-100B      |
|         |                | Energy Recovery Ventilator            | 4204-104B      | 5KW    | 4203-101B      |
|         |                | Economizer                            | 4204-105       | 10KW   | 4203-103B      |
|         |                | Modulating Commercial Room Ventilator | 4204-106       | 15KW   | 4203-104B      |
| I42H1DB | 4202-202I      | Commercial Room Ventilator            | 4204-103A      | 0KW    | 4203-200B      |
|         |                | Energy Recovery Ventilator            | 4204-104B      | 6KW    | 4203-201C      |
|         |                | Economizer                            | 4204-105       | 9KW    | 4203-201C      |
|         |                | Modulating Commercial Room Ventilator | 4204-106       | 15KW   | 4203-202B      |
| I42H1DC | 4202-302I      | Commercial Room Ventilator            | 4204-103A      | 0KW    | 4203-300C      |
|         |                | Energy Recovery Ventilator            | 4204-104B      | 6KW    | 4203-301D      |
|         |                | Economizer                            | 4204-105       | 9KW    | 4203-301D      |
|         |                | Modulating Commercial Room Ventilator | 4204-106       | 15KW   | 4203-302D      |
| I48H1DA | 4202-102I      | Commercial Room Ventilator            | 4204-103A      | 0KW    | 4203-100B      |
|         |                | Energy Recovery Ventilator            | 4204-104B      | 4KW    | 4203-101B      |
|         |                | Economizer                            | 4204-105       | 5KW    | 4203-102B      |
|         |                | Modulating Commercial Room Ventilator | 4204-106       | 10KW   | 4203-103B      |
|         |                |                                       |                | 15KW   | 4203-104B      |
|         |                |                                       |                | 20KW   | 4203-105B      |
| I48H1DB | 4202-202I      | Commercial Room Ventilator            | 4204-103A      | 0KW    | 4203-200B      |
|         |                | Energy Recovery Ventilator            | 4204-104B      | 6KW    | 4203-201C      |
|         |                | Economizer                            | 4204-105       | 9KW    | 4203-201C      |
|         |                | Modulating Commercial Room Ventilator | 4204-106       | 15KW   | 4203-202B      |
|         |                |                                       |                | 18KW   | 4203-202B      |
| I48H1DC | 4202-302I      | Commercial Room Ventilator            | 4204-103A      | 0KW    | 4203-300C      |
|         |                | Energy Recovery Ventilator            | 4204-104B      | 6KW    | 4203-301D      |
|         |                | Economizer                            | 4204-105       | 9KW    | 4203-301D      |
|         |                | Modulating Commercial Room Ventilator | 4204-106       | 15KW   | 4203-302D      |
|         |                |                                       |                | 18KW   | 4203-302D      |
| I60H1DA | 4202-102I      | Commercial Room Ventilator            | 4204-103A      | 0KW    | 4203-100B      |
|         |                | Energy Recovery Ventilator            | 4204-104B      | 4KW    | 4203-101B      |
|         |                | Economizer                            | 4204-105       | 5KW    | 4203-102B      |
|         |                | Modulating Commercial Room Ventilator | 4204-106       | 10KW   | 4203-103B      |
|         |                |                                       |                | 15KW   | 4203-104B      |
|         |                |                                       |                | 20KW   | 4203-105B      |
| I60H1DB | 4202-202I      | Commercial Room Ventilator            | 4204-103A      | 0KW    | 4203-200B      |
|         |                | Energy Recovery Ventilator            | 4204-104B      | 6KW    | 4203-201C      |
|         |                | Economizer                            | 4204-105       | 9KW    | 4203-201C      |
|         |                | Modulating Commercial Room Ventilator | 4204-106       | 15KW   | 4203-202B      |
|         |                |                                       |                | 18KW   | 4203-203B      |
| I60H1DC | 4202-302I      | Commercial Room Ventilator            | 4204-103A      | 0KW    | 4203-300C      |
|         |                | Energy Recovery Ventilator            | 4204-104B      | 6KW    | 4203-301D      |
|         |                | Economizer                            | 4204-105       | 9KW    | 4203-301D      |
|         |                | Modulating Commercial Room Ventilator | 4204-106       | 15KW   | 4203-302D      |
|         |                |                                       |                | 18KW   | 4203-302D      |

# CABINET COMPONENTS



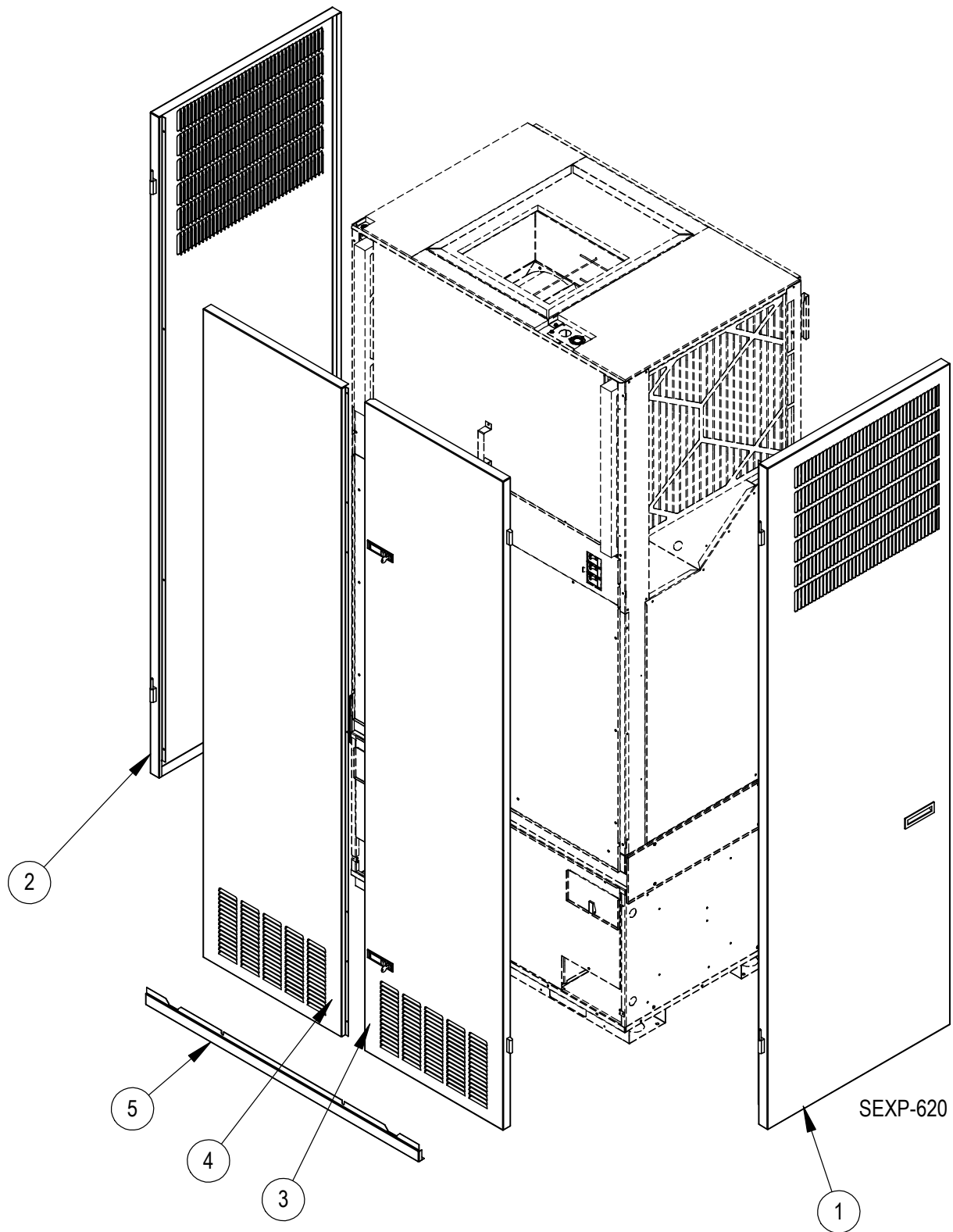
# CABINET COMPONENTS

| Drawing No. | Part Number               | Description   | All Models |
|-------------|---------------------------|---|------------|
| 1           | S507-296                  | Top Assembly  | X          |
| 2           | See Heater Pkg. Section   | Heater Package  | X          |
| 3           | 105-1256                  | Front blower angle                                    | X          |
| 4           | 6096-001                  | Indoor drain pan                                      | X          |
| 5           | S141-383                  | Evap. Coil Support                                    | X          |
| 6           | 509-259-8                 | Unit Back Assembly                                    | X          |
| 7           | S137-641                  | Cond. Coil Top Fill                                   | X          |
| 8           | S125-065                  | Fan Shroud/Venturi Assembly                           | X          |
| 9           | 113-439                   | Side Bracket  | 4          |
| 10          | S149-120                  | Right Rear Corner                                     | X          |
| 11          | S121-456                  | Condenser Partition                                   | X          |
| 12          | S149-123                  | Right Front Corner                                    | X          |
| 13          | 113-630                   | Unit Connection Bracket                               | 2          |
| 14          | S101X635                  | Right Inner Side Panel                                | X          |
| 15          | 7001-026                  | Right Hand Inlet Duct (used on CRV & ERV units only)  | X          |
| 17          | S127-522                  | Condenser Base Assembly                               | X          |
| 18          | S921-0003                 | Exhaust Duct Assembly                                 | X          |
| 19          | 6096-009                  | Outdoor Drain Pan                                     | X          |
| 20          | 126-417                   | Compressor Mounting Base                              | X          |
| 21          | 113-595                   | 460V trans. Mtg brkt. (I36-42-48)                     | X          |
|             | 113-449                   | 460V trans. Mtg brkt. (I60 Only)                      | X          |
| 22          | See Vent Section          | Vent Option   | X          |
| 23          | 511-177                   | Intake Duct Assembly (used on CRV and ERV units only) | X          |
| 24          | S141-391                  | Condenser Coil Access Door                            | X          |
| 25          | S141X390                  | Lower Right Condenser Coil Support                    | X          |
| 26          | S141X389                  | Upper Right Condenser Coil Support                    | X          |
| 27          | 165-603                   | High Voltage Wire Channel                             | X          |
| 28          | 143-202                   | High Voltage Wire Channel Cover                       | X          |
| 29          | S141Y390                  | Lower Left Condenser Coil Support                     | X          |
| 30          | S141Y389                  | Upper Left Condenser Coil Support                     | X          |
| 31          | S113-440                  | Dual Service Port Bracket                             | X          |
| 32          | S553-498                  | Condenser Door  | X          |
| 33          | 113-441                   | Door Latch Bracket                                    | X          |
| 34          | S553-496                  | Evaporator Door                                       | X          |
| 35          | S153-497                  | Control Panel Door (230V Units)                       | X          |
|             | S153-501                  | Control Panel Door (460V Units)                       | X          |
| 36          | See Control Panel Section | Control Panel   | X          |
| 37          | 103-493                   | Cond. Partition Side Offset                           | 2          |
| 38          | S101Y635                  | Left Inner Side Panel                                 | X          |
| 39          | 103-494                   | Cond. Partition Rear Offset                           | X          |
| 40          | 7001-027                  | Left Hand Inlet Duct (used on CRV & ERV units only)   | X          |
| 41          | S149-121                  | Left Front Corner                                     | X          |
| 42          | S149-122                  | Left Rear Corner                                      | X          |
| NS          | S113-426                  | Top Mounting Bracket                                  | X          |

NS = Not Shown

# PAINTED CABINET COMPONENTS

---



# PAINTED CABINET COMPONENTS

---

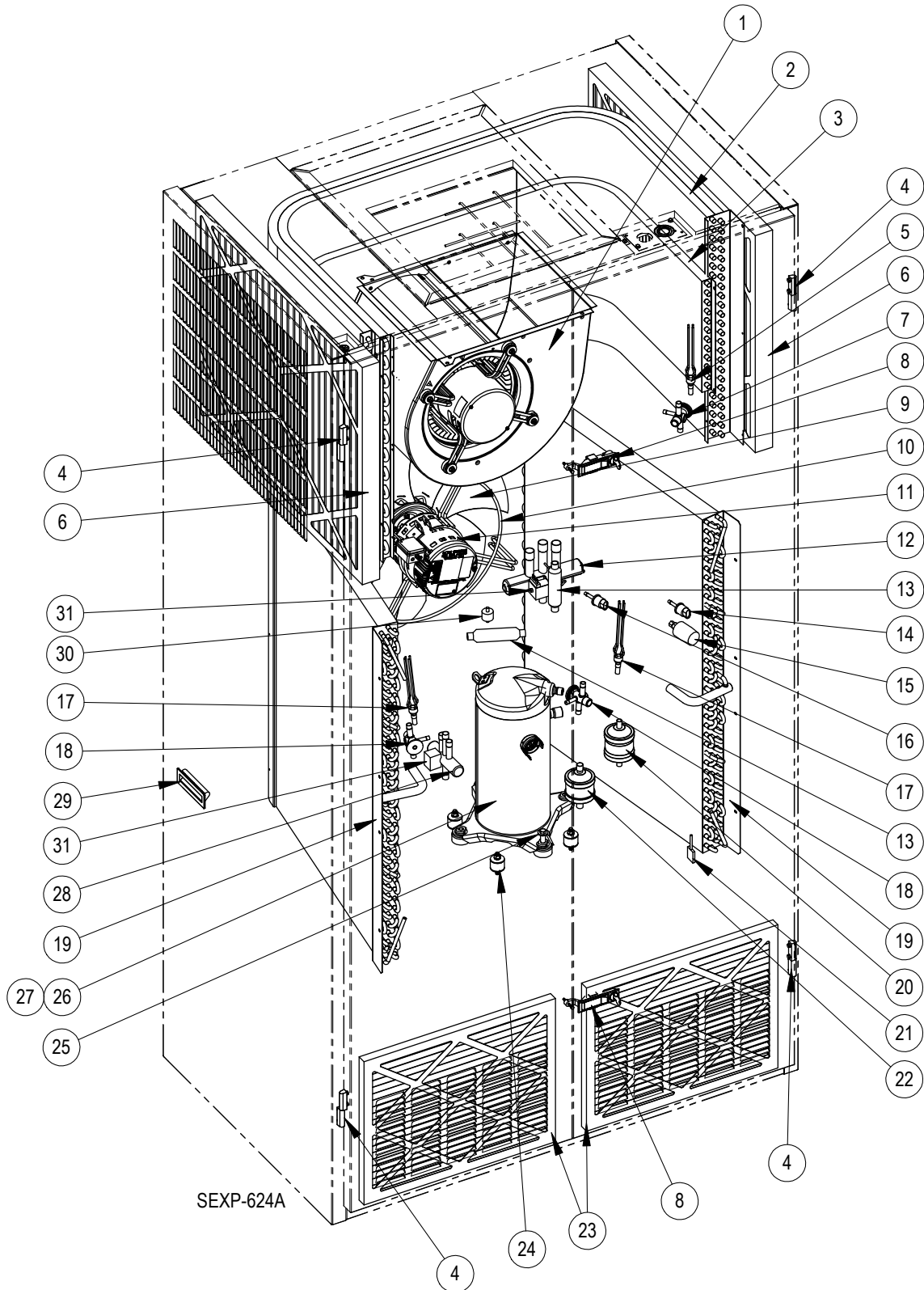
| Drawing No. | Part Number | Description                | All Models |
|-------------|-------------|----------------------------|------------|
| 1           | 501-636-*   | Right Side                 | X          |
| 2           | 501-637-*   | Left Side                  | X          |
| 3           | S553-500-*  | Right Front Door           | X          |
| 4           | S553-499-*  | Left Front Door            | X          |
| 5           | 115-206-*   | Front Unit Trim            | X          |
| NS          | 5451-031    | Hinge Spacer (Black Nylon) | 2          |

\* Exterior cabinet parts are manufactured with various paint color options. To ensure the proper paint color is received, reference the following codes:

- Beige -X
- White -1
- Buckeye Gray -4

NS = Not Shown

# FUNCTIONAL COMPONENTS

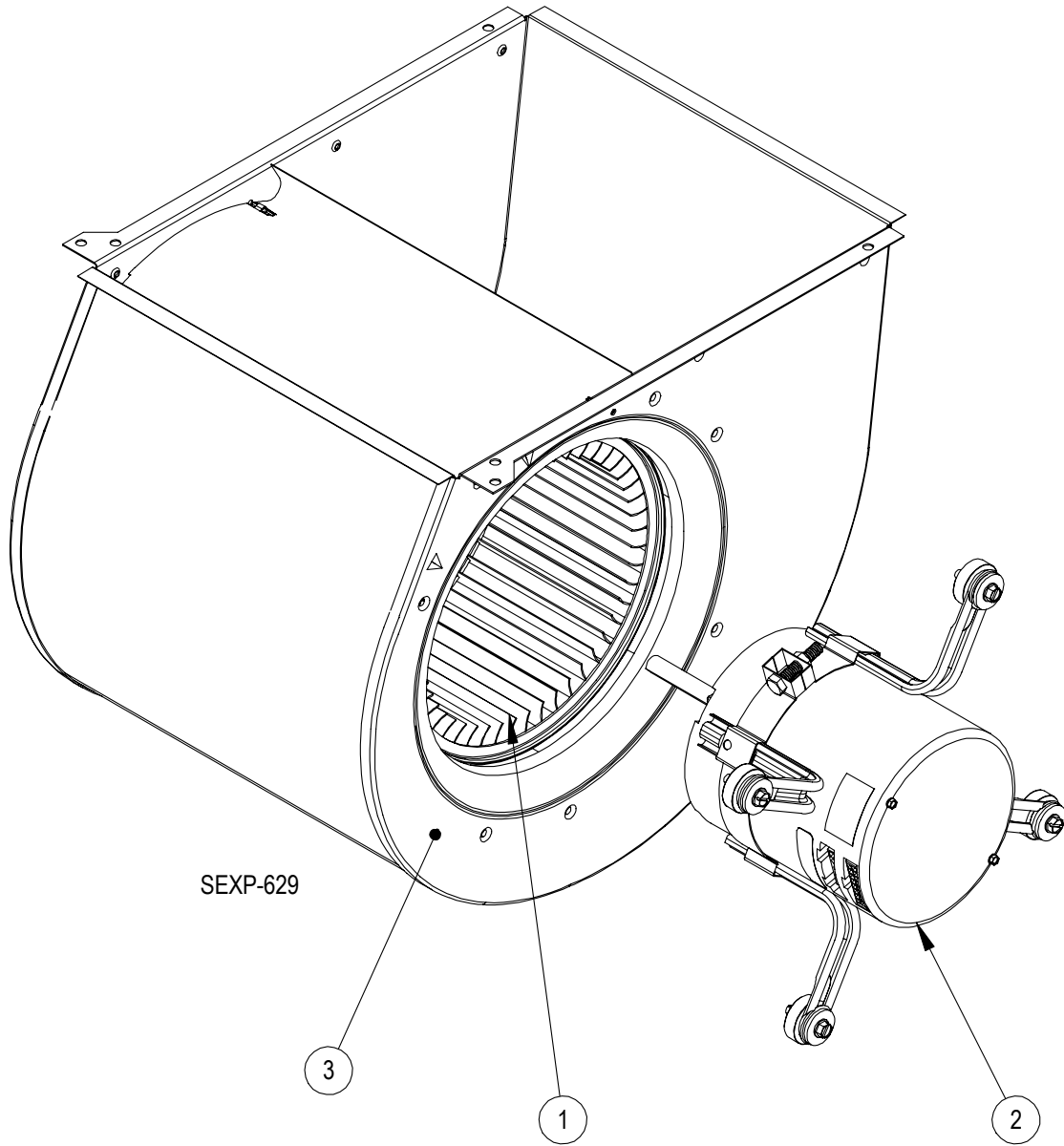






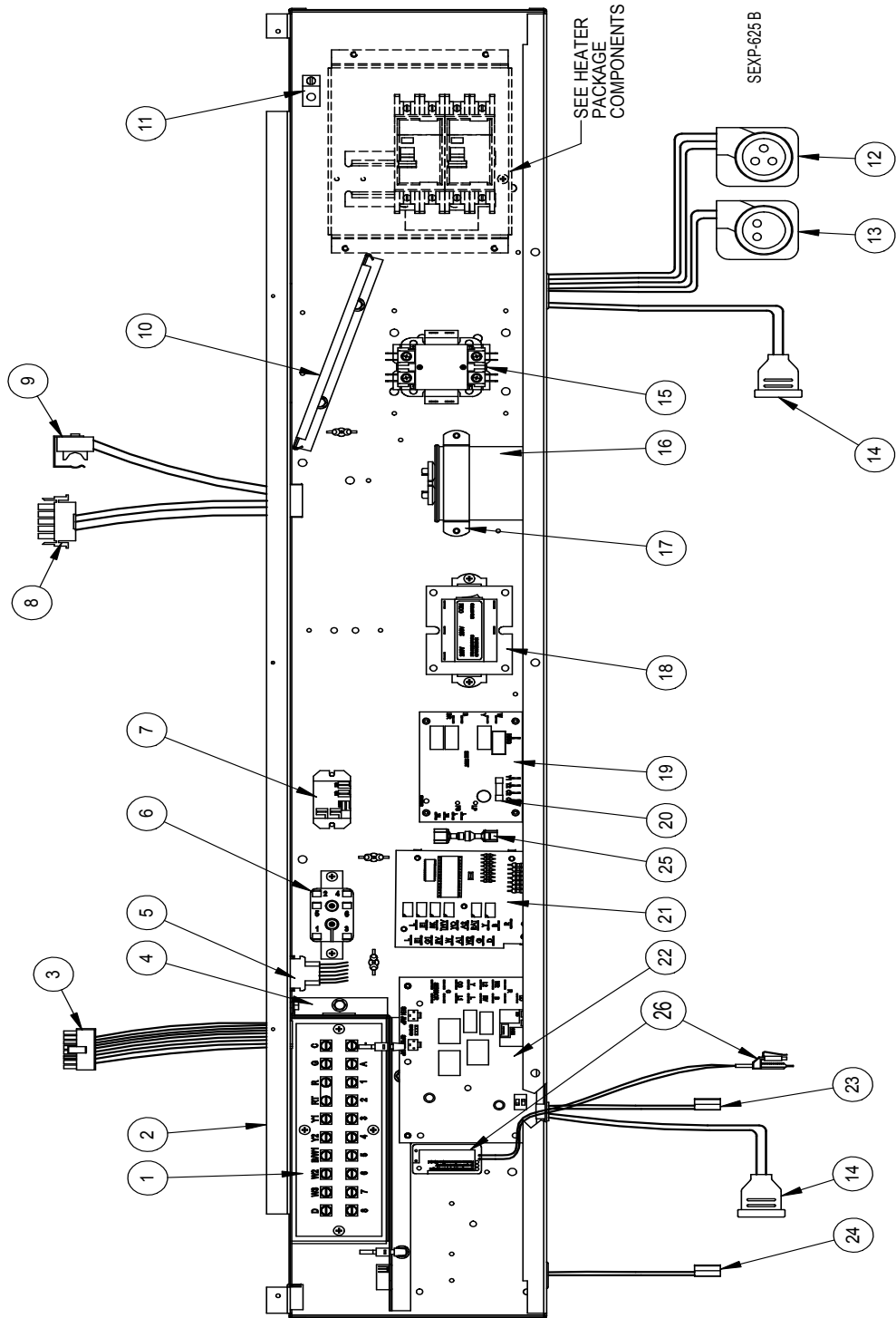


# BLOWER ASSEMBLY COMPONENTS



| Drawing No. | Part Number    | Description             | 5154-002-0090 | 5154-005-0089 | 5154-005-0088 | 5154-005-0087 | 5154-006-0081 |
|-------------|----------------|-------------------------|---------------|---------------|---------------|---------------|---------------|
| 1           | 5152-049       | Blower Wheel            | X             | X             | X             | X             | X             |
| 2           | S8105-059-0090 | 1/3 HP Programmed Motor | X             |               |               |               |               |
|             | S8106-051-0089 | 1/2 HP Programmed Motor |               | X             |               |               |               |
|             | S8106-051-0088 | 1/2 HP Programmed Motor |               |               | X             |               |               |
|             | S8106-051-0087 | 1/2 HP Programmed Motor |               |               |               | X             |               |
|             | S8107-016-0081 | 3/4 HP Programmed Motor |               |               |               |               | X             |
| 3           | 151-122        | Housing                 | X             | X             | X             | X             | X             |

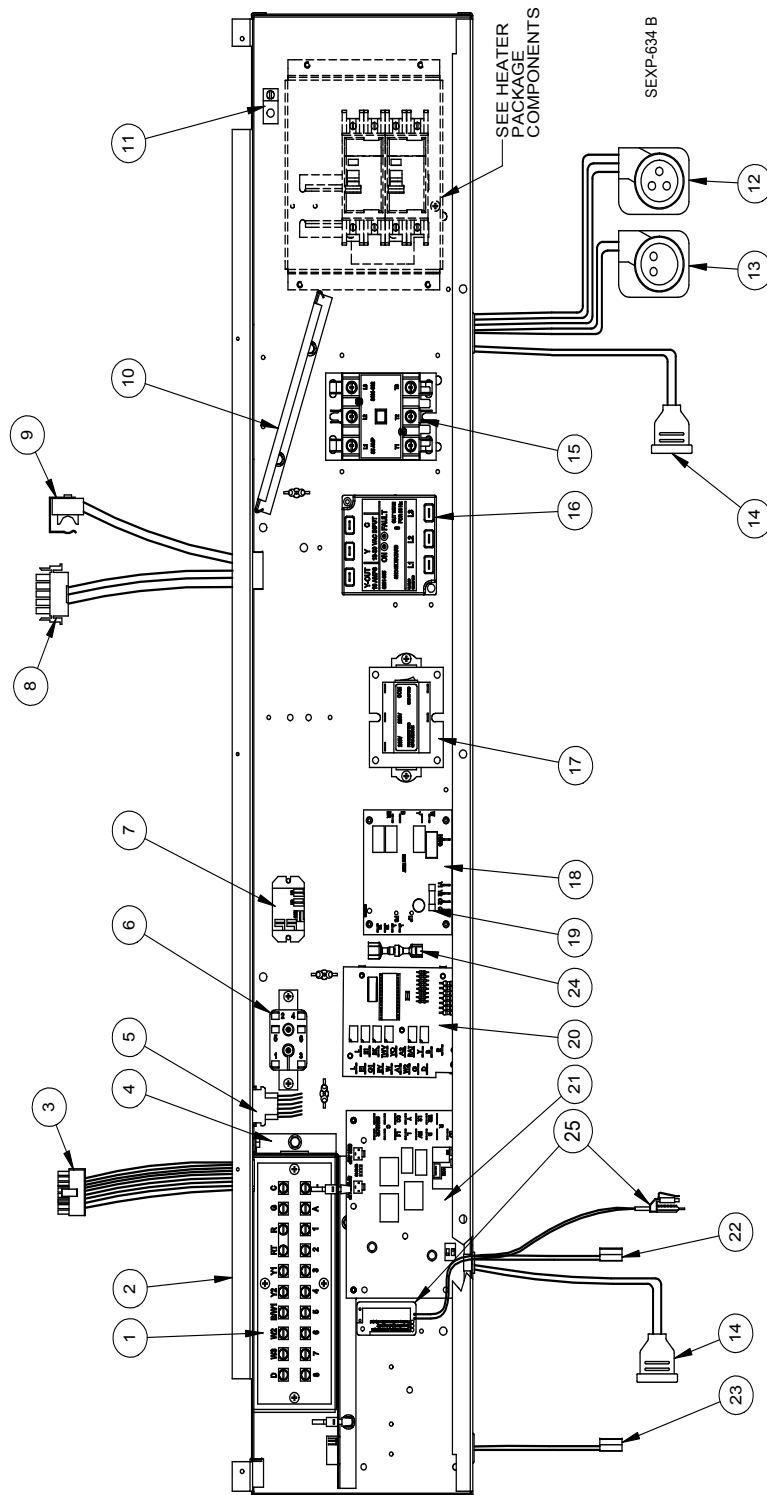
# CONTROL PANEL COMPONENTS - 1 PHASE



## CONTROL PANEL COMPONENTS – 1 PHASE

| Drawing No. | Part Number | Description                                     | I30H1-A | I30H1DA | I36H1-A | I36H1DA | I42H1-A | I42H1DA | I48H1-A | I48H1DA | I60H1-A | I60H1DA |
|-------------|-------------|---|---------|---------|---------|---------|---------|---------|---------|---------|---------|---------|
| 1           | 8607-032    | Low Voltage Terminal Strip                      | X       | X       | X       | X       | X       | X       | X       | X       | X       | X       |
| 2           | 517-391     | Control Panel                                   | X       | X       | X       | X       | X       | X       | X       | X       | X       | X       |
| 3           | 3000-1396   | 16 pin 24V Indoor Blower Motor Control          | X       | X       | X       | X       | X       | X       | X       | X       | X       | X       |
| 4           | 117-319     | Low Voltage terminal box                        | X       | X       | X       | X       | X       | X       | X       | X       | X       | X       |
| 5           | 3000-1397   | 6 Pin Elect. Heat                               | X       | X       | X       | X       | X       | X       | X       | X       | X       | X       |
| 6           | 8201-015    | Relay   | X       | X       | X       | X       | X       | X       | X       | X       | X       | X       |
| 7           | 8201-130    | Relay   |         | X       |         | X       |         | X       |         | X       |         | X       |
| 8           | 3000-1398   | 5 Pin Indoor Blower Motor Power                 | X       | X       | X       | X       | X       | X       | X       | X       | X       | X       |
| 9           | 8408-048    | Freeze protect thermostat                       | X       | X       | X       | X       | X       | X       | X       | X       | X       | X       |
| 10          | 135-319     | Wire Shield                                     | X       | X       | X       | X       | X       | X       | X       | X       | X       | X       |
| 11          | 8611-006    | Ground Terminal                                 | X       | X       | X       | X       | X       | X       | X       | X       | X       | X       |
| 12          | 3000-1222   | Compressor Power Plug                           | X       | X       | X       | X       | X       | X       | X       | X       | X       | X       |
| 13          | 3000-1223   | Compressor Solenoid Plug                        | X       | X       | X       | X       | X       | X       | X       | X       | X       | X       |
| 14          | 5650-044    | Solenoid Valve plug                             | X       | 2       | X       | 2       | X       | 2       | X       | 2       | X       | 2       |
| 15          | 8401-025    | Contactora 2 Pole 40 Amp                        | X       | X       | X       | X       | X       | X       | X       | X       | X       | X       |
| 16          | 8552-035    | Capacitor 40MFD 370V                            | X       | X       | X       | X       |         |         |         |         |         |         |
|             | 8552-043    | Capacitor 45MFD 370V                            |         |         |         |         | X       | X       |         |         |         |         |
|             | 8552-095    | Capacitor 30MFD 370V                            |         |         |         |         |         |         | X       | X       |         |         |
|             | 8552-096    | Capacitor 40MFD 440V                            |         |         |         |         |         |         |         |         | X       | X       |
| 17          | 8550-007    | Capacitor Bracket 2" Round                      | X       | X       | X       | X       |         |         |         |         | X       | X       |
|             | 8550-008    | Capacitor Bracket 2-1/2" Round                  |         |         |         |         | X       | X       |         |         |         |         |
|             | 8550-006    | Capacitor Bracket 1-3/4" Round                  |         |         |         |         |         |         | X       | X       |         |         |
| 18          | 8407-048    | Transformer 75VA with Circuit Breaker           | X       | X       | X       | X       | X       | X       | X       | X       | X       | X       |
| 19          | 8201-166    | Fan Logic Control                               | X       | X       | X       | X       | X       | X       | X       | X       | X       | X       |
| 20          | 8614-052    | 3.15 Amp Fuse                                   | X       | X       | X       | X       | X       | X       | X       | X       | X       | X       |
| 21          | 8201-113    | Dehum Logic Board                               |         | X       |         | X       |         | X       |         | X       |         | X       |
| 22          | 8620-223    | Defrost Control Board Kit (includes new sensor) | X       | X       | X       | X       | X       | X       | X       | X       | X       | X       |
| 23          | 8620-225    | Defrost Sensor Kit                              | X       | X       | X       | X       | X       | X       | X       | X       | X       | X       |
| 24          | 8408-043    | Fan Control Thermistor                          | X       | X       | X       | X       | X       | X       | X       | X       | X       | X       |
| 25          | 910-1816    | Fan Control Resistor (Optional)                 | X       | X       | X       | X       | X       | X       | X       | X       | X       | X       |
| 26          | 910-1936    | Overflow Switch Assembly                        | X       | X       | X       | X       | X       | X       | X       | X       | X       | X       |

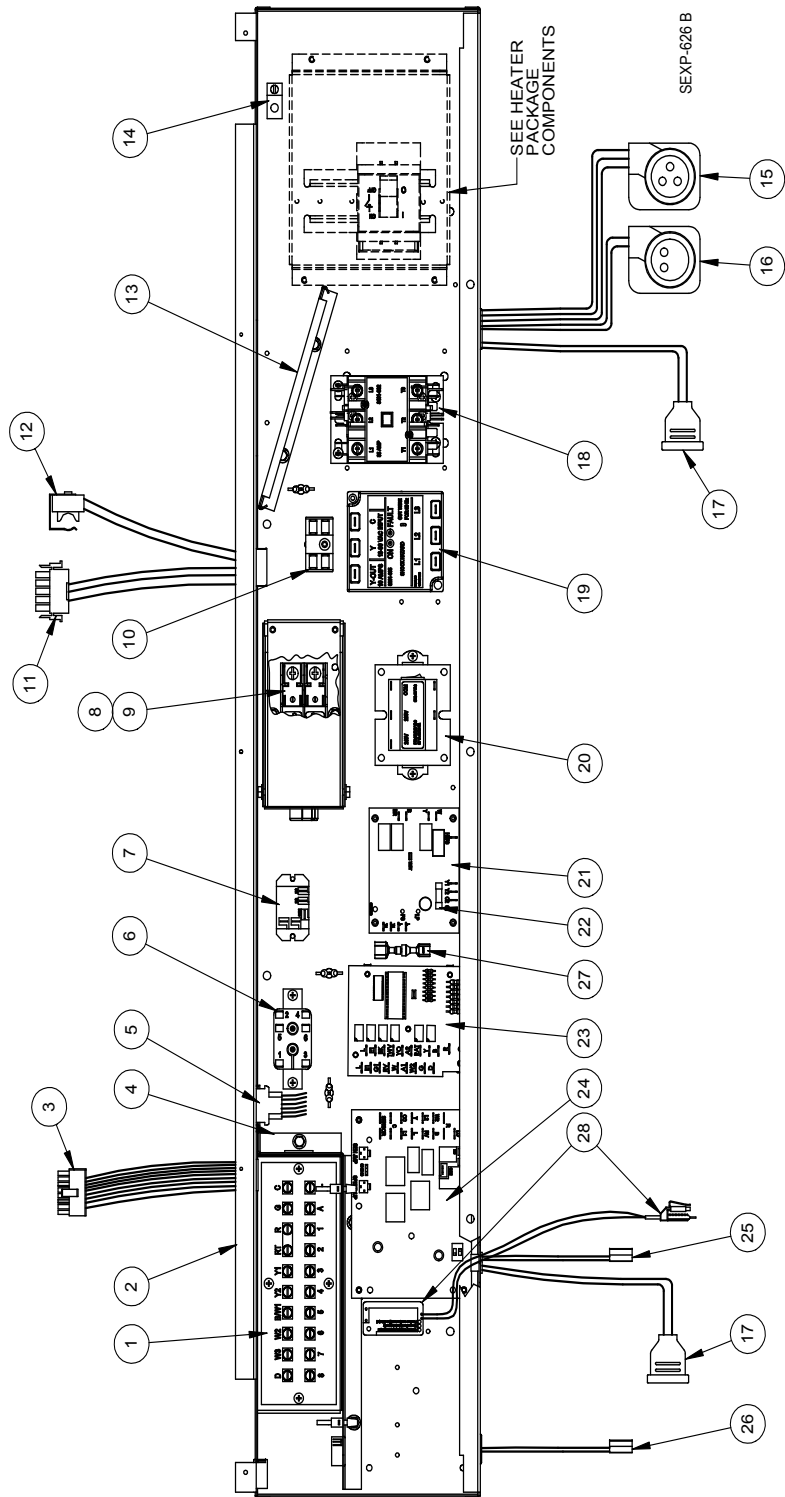
# CONTROL PANEL COMPONENTS - 3 PHASE



## CONTROL PANEL COMPONENTS – 3 PHASE

| Drawing No. | Part Number | Description                                     | I30H1-B | I30H1DB | I36H1-B | I36H1DB | I42H1-B | I42H1DB | I48H1-B | I48H1DB | I60H1-B | I60H1DB |
|-------------|-------------|---|---------|---------|---------|---------|---------|---------|---------|---------|---------|---------|
| 1           | 8607-032    | Low Voltage Terminal Strip                      | X       | X       | X       | X       | X       | X       | X       | X       | X       | X       |
| 2           | 517-391     | Control Panel                                   | X       | X       | X       | X       | X       | X       | X       | X       | X       | X       |
| 3           | 3000-1396   | 16 pin 24V Indoor Blower Motor Control          | X       | X       | X       | X       | X       | X       | X       | X       | X       | X       |
| 4           | 117-319     | Low Voltage Terminal Box                        | X       | X       | X       | X       | X       | X       | X       | X       | X       | X       |
| 5           | 3000-1397   | 6 Pin Elect. Heat                               | X       | X       | X       | X       | X       | X       | X       | X       | X       | X       |
| 6           | 8201-015    | Relay   | X       | X       | X       | X       | X       | X       | X       | X       | X       | X       |
| 7           | 8201-130    | Relay   |         | X       |         | X       |         | X       |         | X       |         | X       |
| 8           | 3000-1398   | 5 Pin Indoor Blower Motor Power                 | X       | X       | X       | X       | X       | X       | X       | X       | X       | X       |
| 9           | 8408-048    | Freeze Protect Thermostat                       | X       | X       | X       | X       | X       | X       | X       | X       | X       | X       |
| 10          | 135-319     | Wire Shield                                     | X       | X       | X       | X       | X       | X       | X       | X       | X       | X       |
| 11          | 8611-006    | Ground Terminal                                 | X       | X       | X       | X       | X       | X       | X       | X       | X       | X       |
| 12          | 3000-1231   | Compressor Power Plug                           | X       | X       | X       | X       | X       | X       | X       | X       | X       | X       |
| 13          | 3000-1223   | Compressor Solenoid Plug                        | X       | X       | X       | X       | X       | X       | X       | X       | X       | X       |
| 14          | 5650-044    | Solenoid Valve Plug                             | X       | 2       | X       | 2       | X       | 2       | X       | 2       | X       | 2       |
| 15          | 8401-002    | Contactora 3 Pole 25 Amp                        | X       | X       | X       | X       | X       | X       | X       | X       | X       | X       |
| 16          | 8201-126    | 3-PH Line Monitor                               | X       | X       | X       | X       | X       | X       | X       | X       | X       | X       |
| 17          | 8407-048    | Transformer 75VA with Circuit Breaker           | X       | X       | X       | X       | X       | X       | X       | X       | X       | X       |
| 18          | 8201-166    | Fan Logic Control                               | X       | X       | X       | X       | X       | X       | X       | X       | X       | X       |
| 19          | 8614-052    | 3.15 Amp Fuse                                   | X       | X       | X       | X       | X       | X       | X       | X       | X       | X       |
| 20          | 8201-113    | Dehum Logic Board                               |         | X       |         | X       |         | X       |         | X       |         | X       |
| 21          | 8620-223    | Defrost Control Board Kit (includes new sensor) | X       | X       | X       | X       | X       | X       | X       | X       | X       | X       |
| 22          | 8620-225    | Defrost Sensor Kit                              | X       | X       | X       | X       | X       | X       | X       | X       | X       | X       |
| 23          | 8408-043    | Fan Control Thermistor                          | X       | X       | X       | X       | X       | X       | X       | X       | X       | X       |
| 24          | S910-1816   | Fan Control Resistor (Optional)                 | X       | X       | X       | X       | X       | X       | X       | X       | X       | X       |
| 25          | 910-1936    | Overflow Switch Assembly                        | X       | X       | X       | X       | X       | X       | X       | X       | X       | X       |

# CONTROL PANEL COMPONENTS – 460V 3 PHASE



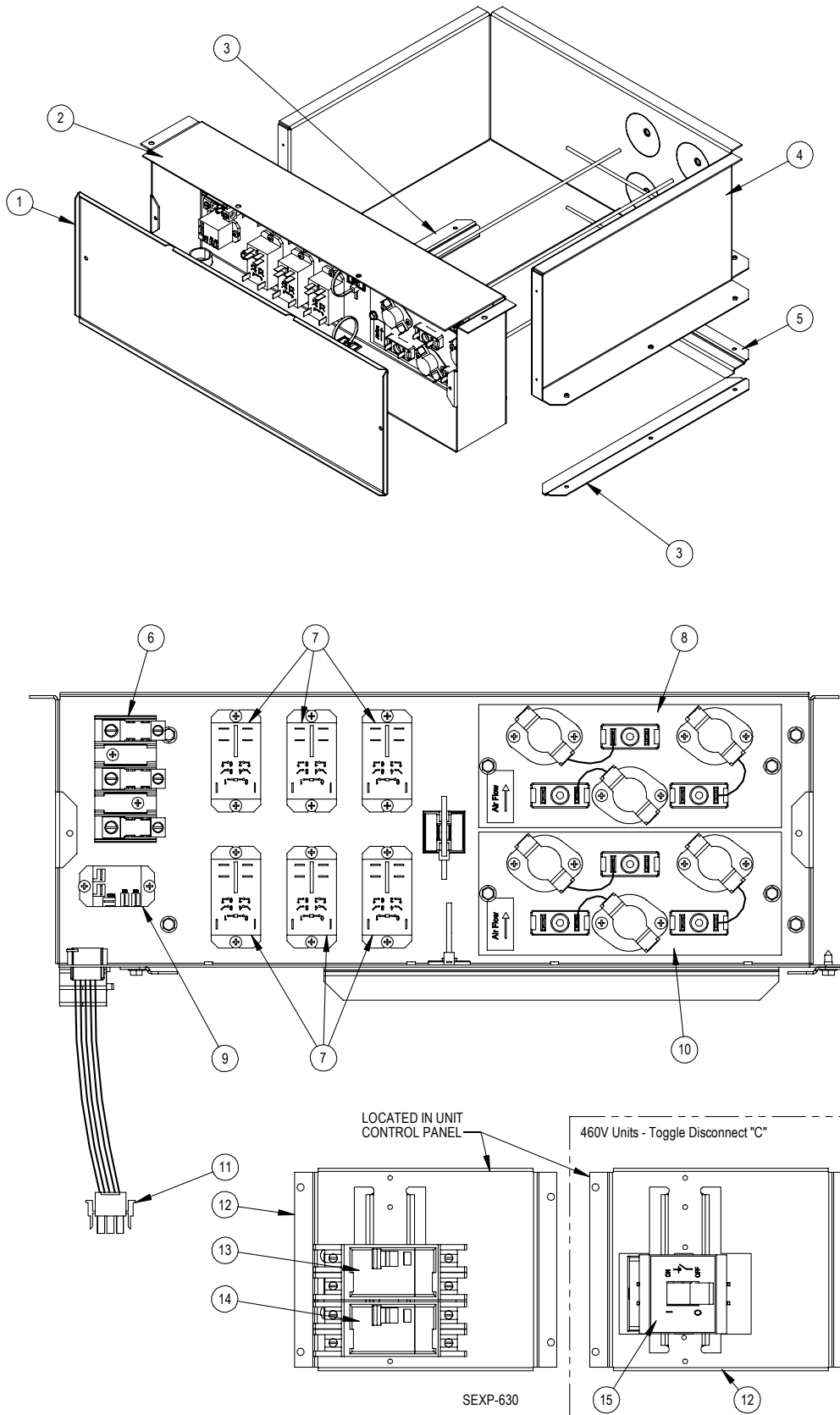


## CONTROL PANEL COMPONENTS – 460V 3 PHASE

| Drawing No. | Part Number                                 | Description                                     | I30H1-C | I30H1DC | I36H1-C | I36H1DC | I42H1-C | I42H1DC | I48H1-C | I48H1DC | I60H1-C | I60H1DC |
|-------------|---|---|---------|---------|---------|---------|---------|---------|---------|---------|---------|---------|
| 1           | 8607-032                                    | Low Voltage Terminal Strip                      | X       | X       | X       | X       | X       | X       | X       | X       | X       | X       |
| 2           | 517-391                                     | Control Panel                                   | X       | X       | X       | X       | X       | X       | X       | X       | X       | X       |
| 3           | 3000-1396                                   | 16 pin 24V Indoor Blower Motor Control          | X       | X       | X       | X       | X       | X       | X       | X       | X       | X       |
| 4           | 117-319                                     | Low Voltage Terminal Box                        | X       | X       | X       | X       | X       | X       | X       | X       | X       | X       |
| 5           | 3000-1397                                   | 6 Pin Elect. Heat                               | X       | X       | X       | X       | X       | X       | X       | X       | X       | X       |
| 6           | 8201-015                                    | Relay   | X       | X       | X       | X       | X       | X       | X       | X       | X       | X       |
| 7           | 8201-130                                    | Relay   |         | X       |         | X       |         | X       |         | X       |         | X       |
| 8           | 8614-041                                    | Fuse Block                                      | X       | X       | X       | X       | X       | X       | X       | X       | X       | X       |
| 9           | <i>See separate chart below for Item #9</i> |   |         |         |         |         |         |         |         |         |         |         |
| 10          | 8607-017                                    | Terminal Block                                  | X       | X       | X       | X       | X       | X       | X       | X       | X       | X       |
| 11          | 3000-1398                                   | 5 Pin Indoor Blower Motor Power                 | X       | X       | X       | X       | X       | X       | X       | X       | X       | X       |
| 12          | 8408-048                                    | Freeze Protect Thermostat                       | X       | X       | X       | X       | X       | X       | X       | X       | X       | X       |
| 13          | 135-319                                     | Wire Shield                                     | X       | X       | X       | X       | X       | X       | X       | X       | X       | X       |
| 14          | 8611-006                                    | Ground Terminal                                 | X       | X       | X       | X       | X       | X       | X       | X       | X       | X       |
| 15          | 3000-1231                                   | Compressor Power Plug                           | X       | X       | X       | X       | X       | X       | X       | X       | X       | X       |
| 16          | 3000-1223                                   | Compressor Solenoid Plug                        | X       | X       | X       | X       | X       | X       | X       | X       | X       | X       |
| 17          | 5650-044                                    | Solenoid Valve Plug                             | X       | 2       | X       | 2       | X       | 2       | X       | 2       | X       | 2       |
| 18          | 8401-002                                    | Contactora 3 Pole 25 Amp                        | X       | X       | X       | X       | X       | X       | X       | X       | X       | X       |
| 19          | 8201-126                                    | 3-PH Line Monitor                               | X       | X       | X       | X       | X       | X       | X       | X       | X       | X       |
| 20          | 8407-048                                    | Transformer 75VA with Circuit Breaker           | X       | X       | X       | X       | X       | X       | X       | X       | X       | X       |
| 21          | 8201-166                                    | Fan Logic Control                               | X       | X       | X       | X       | X       | X       | X       | X       | X       | X       |
| 22          | 8614-052                                    | 3.15 Amp Fuse                                   | X       | X       | X       | X       | X       | X       | X       | X       | X       | X       |
| 23          | 8201-113                                    | Dehum Logic Board                               |         | X       |         | X       |         | X       |         | X       |         | X       |
| 24          | 8620-223                                    | Defrost Control Board Kit (includes new sensor) | X       | X       | X       | X       | X       | X       | X       | X       | X       | X       |
| 25          | 8620-225                                    | Defrost Sensor Kit                              | X       | X       | X       | X       | X       | X       | X       | X       | X       | X       |
| 26          | 8408-043                                    | Fan Control Thermistor                          | X       | X       | X       | X       | X       | X       | X       | X       | X       | X       |
| 27          | S910-1816                                   | Fan Control Resistor (Optional)                 | X       | X       | X       | X       | X       | X       | X       | X       | X       | X       |
| 28          | 910-1936                                    | Overflow Switch Assembly                        | X       | X       | X       | X       | X       | X       | X       | X       | X       | X       |

|   |         | With Vent                            | No Vent                               |
|---|---------|--------------------------------------|---------------------------------------|
| 9 | I30H1-C | (2) Part #8614-046 5A Class CC Fuse  | (2) Part #8614-047 3.2A Class CC Fuse |
|   | I30H1DC | (2) Part #8614-046 5A Class CC Fuse  | (2) Part #8614-047 3.2A Class CC Fuse |
|   | I36H1-C | (2) Part #8614-042 7A Class CC Fuse  | (2) Part #8614-046 5A Class Fuse      |
|   | I36H1DC | (2) Part #8614-042 7A Class CC Fuse  | (2) Part #8614-046 5A Class CC Fuse   |
|   | I42H1-C | (2) Part #8614-042 7A Class CC Fuse  | (2) Part #8614-046 5A Class CC Fuse   |
|   | I42H1DC | (2) Part #8614-042 7A Class CC Fuse  | (2) Part #8614-046 5A Class CC Fuse   |
|   | I48H1-C | (2) Part #8614-042 7A Class CC Fuse  | (2) Part #8614-046 5A Class CC Fuse   |
|   | I48H1DC | (2) Part #8614-042 7A Class CC Fuse  | (2) Part #8614-046 5A Class CC Fuse   |
|   | I60H1-C | (2) Part #8614-043 10A Class CC Fuse | (2) Part #8614-042 7A Class CC Fuse   |
|   | I60H1DC | (2) Part #8614-043 10A Class CC Fuse | (2) Part #8614-042 7A Class CC Fuse   |

# ELECTRIC HEATER COMPONENTS



# ELECTRIC HEATER COMPONENTS

| Drawing No. | Part No.  | Description                        | I30H1-A0Z, I30H1DA0Z | I30H1-A05, I30H1DA05 | I30H1-A10, I30H1DA10 | I36H1-A0Z, I36H1DA0Z | I36H1-A05, I36H1DA05 | I36H1-A10, I36H1DA10 | I36H1-A15, I36H1DA15 | I42H1-A0Z, I42H1DA0Z | I42H1-A05, I42H1DA05 | I42H1-A10, I42H1DA10 | I42H1-A15, I42H1DA15 | I48H1-A0Z, I48H1DA0Z | I48H1-A04, I48H1DA04 | I48H1-A05, I48H1DA05 | I48H1-A10, I48H1DA10 | I48H1-A15, I48H1DA15 | I48H1-A20, I48H1DA20 | I60H1-A0Z, I60H1DA0Z | I60H1-A05, I60H1DA05 | I60H1-A10, I60H1DA10 | I60H1-A15, I60H1DA15 | I60H1-A20, I60H1DA20 |
|-------------|-----------|------------------------------------|----------------------|----------------------|----------------------|----------------------|----------------------|----------------------|----------------------|----------------------|----------------------|----------------------|----------------------|----------------------|----------------------|----------------------|----------------------|----------------------|----------------------|----------------------|----------------------|----------------------|----------------------|----------------------|
| 1           | 143-148   | Heater Box Cover                   | X                    | X                    | X                    | X                    | X                    | X                    | X                    | X                    | X                    | X                    | X                    | X                    | X                    | X                    | X                    | X                    | X                    | X                    | X                    | X                    | X                    | X                    |
| 2           | 117-313   | Heater Front Plate                 | X                    | X                    | X                    | X                    | X                    | X                    | X                    | X                    | X                    | X                    | X                    | X                    | X                    | X                    | X                    | X                    | X                    | X                    | X                    | X                    | X                    | X                    |
| 3           | 103-486   | Side Blower Offset                 | 2                    | 2                    | 2                    | 2                    | 2                    | 2                    | 2                    | 2                    | 2                    | 2                    | 2                    | 2                    | 2                    | 2                    | 2                    | 2                    | 2                    | 2                    | 2                    | 2                    | 2                    | 2                    |
| 4           | 117-307   | Heater Wrapper                     | X                    | X                    | X                    | X                    | X                    | X                    | X                    | X                    | X                    | X                    | X                    | X                    | X                    | X                    | X                    | X                    | X                    | X                    | X                    | X                    | X                    | X                    |
| 5           | 103-487   | Rear Blower Angle                  | X                    | X                    | X                    | X                    | X                    | X                    | X                    | X                    | X                    | X                    | X                    | X                    | X                    | X                    | X                    | X                    | X                    | X                    | X                    | X                    | X                    | X                    |
| 7           | 8401-036  | Contactor 2-Pole 30A               |                      | X                    | 2                    |                      | X                    | 2                    | 3                    |                      | X                    | 2                    | 2                    |                      | X                    | X                    | 2                    | 3                    | 4                    |                      | X                    | 2                    | 3                    | 4                    |
| 8           | 142-159   | Heater Blank Off Plate             | X                    | X                    | X                    | X                    | X                    |                      |                      | X                    | X                    | X                    |                      | X                    | X                    | X                    | X                    |                      |                      | X                    | X                    | X                    |                      |                      |
|             | 8604-135  | Heat Strip 5KW                     |                      |                      |                      |                      |                      |                      | X                    |                      |                      |                      | X                    |                      |                      |                      |                      | X                    |                      |                      |                      |                      | X                    |                      |
|             | 8604-136  | Heat Strip 10KW                    |                      |                      |                      |                      |                      |                      |                      |                      |                      |                      |                      |                      |                      |                      |                      | X                    |                      |                      |                      |                      |                      | X                    |
| 9           | 8201-130  | Relay                              |                      | X                    | X                    |                      | X                    | X                    |                      | X                    | X                    | X                    |                      | X                    | X                    | X                    | X                    | X                    |                      | X                    | X                    | X                    | X                    | X                    |
| 10          | 142-159   | Heater Blank Off Plate             | X                    |                      |                      | X                    |                      |                      |                      | X                    |                      |                      |                      | X                    |                      |                      |                      |                      |                      | X                    |                      |                      |                      |                      |
|             | 8604-135  | Heat Strip 5KW                     |                      | X                    |                      |                      | X                    |                      |                      |                      | X                    |                      |                      |                      |                      | X                    |                      |                      |                      |                      | X                    |                      |                      |                      |
|             | 8604-136  | Heat Strip 10KW                    |                      |                      | X                    |                      |                      | X                    | X                    |                      |                      | X                    | X                    |                      |                      |                      | X                    | X                    | X                    |                      |                      | X                    | X                    | X                    |
|             | 8604-134  | Heat Strip 4KW                     |                      |                      |                      |                      |                      |                      |                      |                      |                      |                      |                      |                      | X                    | X                    |                      |                      |                      |                      |                      |                      |                      |                      |
| 11          | 3000-1402 | 6-Pin Electric Heater Wire Harness |                      | X                    | X                    |                      | X                    | X                    | X                    |                      | X                    | X                    | X                    |                      | X                    | X                    | X                    | X                    | X                    |                      | X                    | X                    | X                    | X                    |
| 12          | 127-418   | Circuit Breaker Base               | X                    | X                    | X                    | X                    | X                    | X                    | X                    | X                    | X                    | X                    | X                    | X                    | X                    | X                    | X                    | X                    | X                    | X                    | X                    | X                    | X                    | X                    |
| 13          | 8615-037  | Circuit Breaker 30A 2-Pole         |                      |                      | X                    |                      |                      |                      |                      |                      |                      |                      |                      |                      |                      | X                    |                      |                      |                      |                      | X                    |                      |                      |                      |
|             | 8615-041  | Circuit Breaker 60A 2-Pole         |                      |                      |                      |                      |                      | X                    | X                    |                      |                      | X                    | X                    |                      |                      |                      | X                    | X                    | X                    |                      |                      | X                    | X                    | X                    |
| 14          | 8615-038  | Circuit Breaker 35A 2-Pole         | X                    |                      |                      |                      |                      |                      |                      |                      |                      |                      |                      |                      |                      |                      |                      |                      |                      |                      |                      |                      |                      |                      |
|             | 8615-040  | Circuit Breaker 50A 2-Pole         |                      | X                    | X                    |                      |                      |                      |                      |                      |                      |                      |                      | X                    |                      | X                    |                      |                      |                      |                      |                      |                      |                      |                      |
|             | 8615-055  | Circuit Breaker 40A 2-Pole         |                      |                      |                      | X                    |                      | X                    | X                    |                      |                      |                      |                      |                      |                      |                      |                      |                      |                      |                      |                      |                      |                      |                      |
|             | 8615-041  | Circuit Breaker 60A 2-Pole         |                      |                      |                      |                      | X                    |                      |                      |                      | X                    |                      |                      |                      | X                    |                      |                      |                      | X                    | X                    | X                    | X                    | X                    | X                    |
|             | 8615-039  | Circuit Breaker 45A 2-Pole         |                      |                      |                      |                      |                      |                      |                      |                      | X                    |                      | X                    | X                    |                      |                      |                      | X                    | X                    |                      |                      |                      |                      |                      |

NS = Not Shown

# ELECTRIC HEATER COMPONENTS

| Drawing No. | Part Number | Description                        | 130H1-B0Z, 130H1DB0Z | 130H1-B06, 130H1DB06 | 130H1-B09, 130H1DB09 | 136H1-B0Z, 136H1DB0Z | 136H1-B06, 136H1DB06 | 136H1-B09, 136H1DB09 | 136H1-B15, 136H1DB15 | 142H1-B0Z, 142H1DB0Z | 142H1-B06, 142H1DB06 | 142H1-B09, 142H1DB09 | 142H1-B15, 142H1DB15 | 148H1-B0Z, 148H1DB0Z | 148H1-B06, 148H1DB06 | 148H1-B09, 148H1DB09 | 148H1-B15, 148H1DB15 | 148H1-B18, 148H1DB18 | 160H1-B0Z, 160H1DB0Z | 160H1-B06, 160H1DB06 | 160H1-B09, 160H1DB09 | 160H1-B15, 160H1DB15 | 160H1-B18, 160H1DB18 |
|-------------|-------------|------------------------------------|----------------------|----------------------|----------------------|----------------------|----------------------|----------------------|----------------------|----------------------|----------------------|----------------------|----------------------|----------------------|----------------------|----------------------|----------------------|----------------------|----------------------|----------------------|----------------------|----------------------|----------------------|
| 1           | 143-148     | Heater Box Cover                   | X                    | X                    | X                    | X                    | X                    | X                    | X                    | X                    | X                    | X                    | X                    | X                    | X                    | X                    | X                    | X                    | X                    | X                    | X                    | X                    | X                    |
| 2           | 117-313     | Heater Front Plate                 | X                    | X                    | X                    | X                    | X                    | X                    | X                    | X                    | X                    | X                    | X                    | X                    | X                    | X                    | X                    | X                    | X                    | X                    | X                    | X                    | X                    |
| 3           | 103-486     | Side Blower Offset                 | 2                    | 2                    | 2                    | 2                    | 2                    | 2                    | 2                    | 2                    | 2                    | 2                    | 2                    | 2                    | 2                    | 2                    | 2                    | 2                    | 2                    | 2                    | 2                    | 2                    | 2                    |
| 4           | 117-307     | Heater Wrapper                     | X                    | X                    | X                    | X                    | X                    | X                    | X                    | X                    | X                    | X                    | X                    | X                    | X                    | X                    | X                    | X                    | X                    | X                    | X                    | X                    | X                    |
| 5           | 103-487     | Rear Blower Angle                  | X                    | X                    | X                    | X                    | X                    | X                    | X                    | X                    | X                    | X                    | X                    | X                    | X                    | X                    | X                    | X                    | X                    | X                    | X                    | X                    | X                    |
| 6           | 8607-014    | Terminal Block                     |                      |                      |                      |                      |                      |                      |                      |                      |                      |                      |                      |                      |                      |                      |                      | X                    |                      |                      |                      |                      | X                    |
| 7           | 8401-036    | Contacto 2-Pole 30A                |                      | 3                    | 3                    |                      | 3                    | 3                    | 6                    |                      | 3                    | 3                    | 6                    |                      | 3                    | 3                    | 6                    | 6                    |                      | 3                    | 3                    | 6                    | 6                    |
| 8           | 142-159     | Heater Blank Off Plate             | X                    | X                    | X                    | X                    | X                    | X                    |                      | X                    | X                    | X                    |                      | X                    | X                    | X                    |                      |                      | X                    | X                    | X                    |                      |                      |
|             | 8604-137    | Heat Strip 6KW                     |                      |                      |                      |                      |                      |                      | X                    |                      |                      |                      | X                    |                      |                      |                      | X                    |                      |                      |                      |                      | X                    |                      |
|             | 8604-138    | Heat Strip 9KW                     |                      |                      |                      |                      |                      |                      |                      |                      |                      |                      |                      |                      |                      |                      | X                    |                      |                      |                      |                      |                      | X                    |
| 9           | 8201-130    | Relay                              |                      | X                    | X                    |                      | X                    | X                    | X                    |                      | X                    | X                    | X                    |                      | X                    | X                    | X                    | X                    |                      | X                    | X                    | X                    | X                    |
| 10          | 142-159     | Heater Blank Off Plate             | X                    |                      |                      | X                    |                      |                      |                      | X                    |                      |                      |                      | X                    |                      |                      |                      |                      | X                    |                      |                      |                      |                      |
|             | 8604-137    | Heat Strip 6KW                     |                      | X                    |                      |                      | X                    |                      |                      |                      | X                    |                      |                      |                      | X                    |                      |                      |                      |                      | X                    |                      |                      |                      |
|             | 8604-138    | Heat Strip 9KW                     |                      |                      | X                    |                      |                      | X                    | X                    |                      |                      | X                    | X                    |                      |                      | X                    | X                    | X                    |                      |                      | X                    | X                    | X                    |
| 11          | 3000-1402   | 6-Pin Electric Heater Wire Harness |                      | X                    | X                    |                      | X                    | X                    | X                    |                      | X                    | X                    | X                    |                      | X                    | X                    | X                    | X                    |                      | X                    | X                    | X                    | X                    |
| 12          | 127-418     | Circuit Breaker Base               | X                    | X                    | X                    |                      | X                    | X                    | X                    | X                    | X                    | X                    | X                    | X                    | X                    | X                    | X                    | X                    | X                    | X                    | X                    | X                    | X                    |
| 13          | 8615-046    | Circuit Breaker 60A 3-Pole         |                      |                      |                      |                      |                      |                      | X                    |                      |                      |                      | X                    |                      |                      |                      | X                    |                      |                      |                      |                      | X                    | X                    |
| 14          | 8615-051    | Circuit Breaker 25A 3-Pole         | X                    |                      |                      |                      |                      |                      |                      |                      |                      |                      |                      |                      |                      |                      |                      |                      |                      |                      |                      |                      |                      |
|             | 8615-042    | Circuit Breaker 35A 3-Pole         |                      | X                    |                      |                      |                      |                      |                      | X                    |                      |                      |                      | X                    |                      |                      |                      |                      |                      |                      |                      |                      |                      |
|             | 8615-052    | Circuit Breaker 30A 3-Pole         |                      |                      |                      | X                    |                      |                      |                      |                      |                      |                      |                      |                      |                      |                      |                      |                      |                      |                      |                      |                      |                      |
|             | 8615-044    | Circuit Breaker 45A 3-Pole         |                      |                      | X                    |                      | X                    |                      | X                    |                      |                      |                      | X                    |                      |                      |                      | X                    |                      | X                    |                      |                      | X                    | X                    |
|             | 8615-045    | Circuit Breaker 50A 3-Pole         |                      |                      |                      |                      |                      | X                    |                      |                      | X                    |                      |                      |                      | X                    |                      |                      |                      |                      |                      |                      |                      |                      |
|             | 8615-046    | Circuit Breaker 60A 3-Pole         |                      |                      |                      |                      |                      |                      |                      |                      |                      | X                    |                      |                      |                      | X                    |                      | X                    |                      | X                    | X                    |                      |                      |

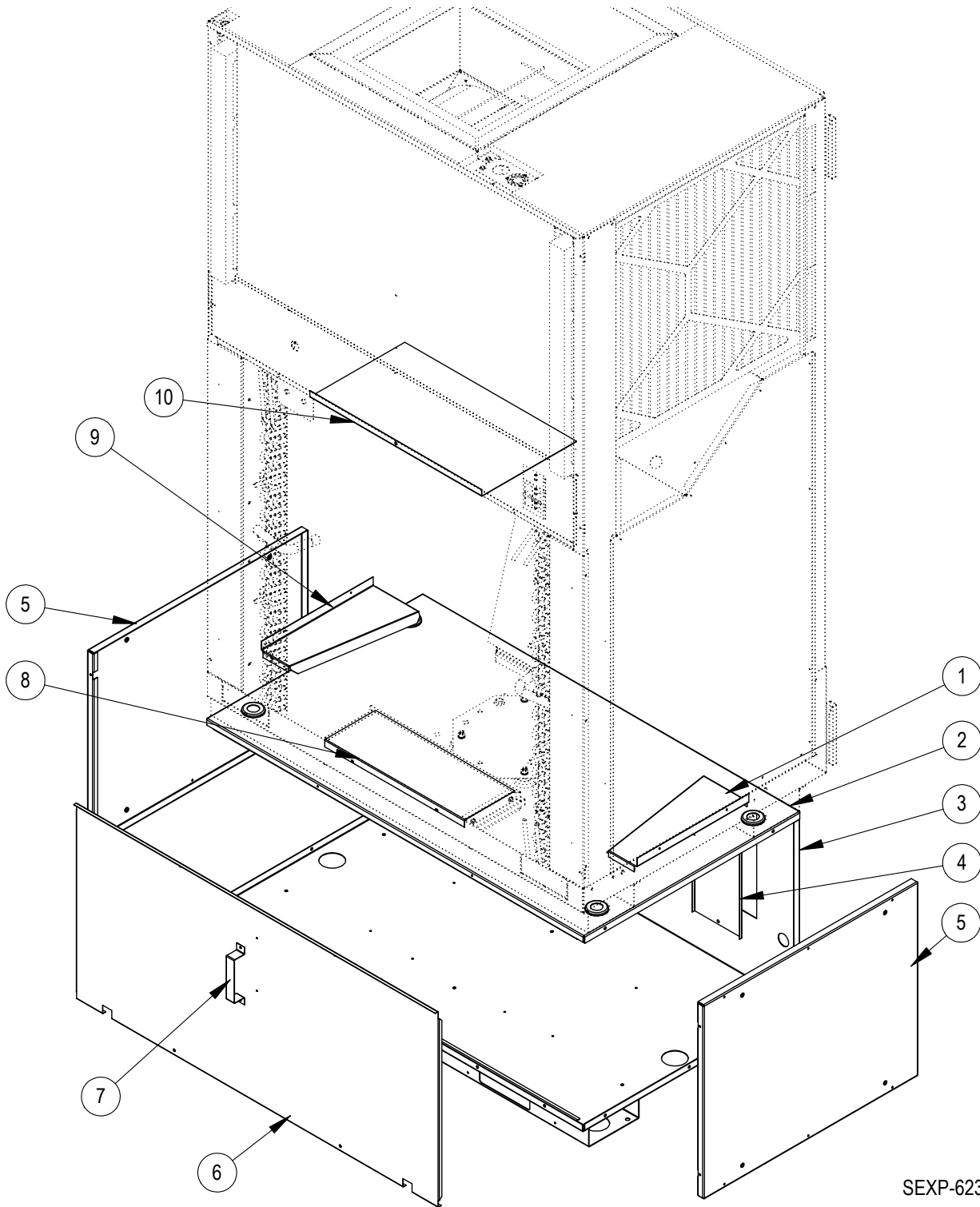
NS = Not Shown

# ELECTRIC HEATER COMPONENTS

| Drawing No. | Part Number | Description                        | 130H1-C0Z, 130H1DC0Z | 130H1-C06, 130H1DC06 | 130H1-C09, 130H1DC09 | 136H1-C0Z, 136H1DC0Z | 136H1-C06, 136H1DC06 | 136H1-C09, 136H1DC09 | 136H1-C15, 136H1DC15 | 136H1DC15NPD114 | 142H1-C0Z, 142H1DC0Z | 142H1-C06, 142H1DC06 | 142H1-C09, 142H1DC09 | 142H1-C15, 142H1DC15 | 148H1-C0Z, 148H1DC0Z | 148H1-C06, 148H1DC06 | 148H1-C09, 148H1DC09 | 148H1-C15, 148H1DC15 | 148H1-C18, 148H1DC18 | 160H1-C0Z, 160H1DC0Z | 160H1-C06, 160H1DC06 | 160H1-C09, 160H1DC09 | 160H1-C15, 160H1DC15 | 160H1-C18, 160H1DC18 |   |
|-------------|-------------|------------------------------------|----------------------|----------------------|----------------------|----------------------|----------------------|----------------------|----------------------|-----------------|----------------------|----------------------|----------------------|----------------------|----------------------|----------------------|----------------------|----------------------|----------------------|----------------------|----------------------|----------------------|----------------------|----------------------|---|
| 1           | 143-148     | Heater Box Cover                   | X                    | X                    | X                    | X                    | X                    | X                    | X                    | X               | X                    | X                    | X                    | X                    | X                    | X                    | X                    | X                    | X                    | X                    | X                    | X                    | X                    | X                    | X |
| 2           | 117-313     | Heater Front Plate                 | X                    | X                    | X                    | X                    | X                    | X                    | X                    | X               | X                    | X                    | X                    | X                    | X                    | X                    | X                    | X                    | X                    | X                    | X                    | X                    | X                    | X                    | X |
| 3           | 103-486     | Side Blower Offset                 | 2                    | 2                    | 2                    | 2                    | 2                    | 2                    | 2                    | 2               | 2                    | 2                    | 2                    | 2                    | 2                    | 2                    | 2                    | 2                    | 2                    | 2                    | 2                    | 2                    | 2                    | 2                    | 2 |
| 4           | 117-307     | Heater Wrapper                     | X                    | X                    | X                    | X                    | X                    | X                    | X                    | X               | X                    | X                    | X                    | X                    | X                    | X                    | X                    | X                    | X                    | X                    | X                    | X                    | X                    | X                    | X |
| 5           | 103-487     | Rear Blower Angle                  | X                    | X                    | X                    | X                    | X                    | X                    | X                    | X               | X                    | X                    | X                    | X                    | X                    | X                    | X                    | X                    | X                    | X                    | X                    | X                    | X                    | X                    | X |
| 6           | 8607-014    | Terminal Block                     |                      |                      |                      |                      |                      | X                    | X                    |                 |                      |                      |                      | X                    |                      |                      |                      | X                    |                      |                      |                      |                      |                      | X                    |   |
| 7           | 8401-036    | Contactora 2-Pole 30A              |                      | 2                    | 2                    |                      | 2                    | 2                    | 6                    | 6               |                      | 2                    | 2                    | 6                    |                      | 2                    | 2                    | 6                    | 4                    |                      | 2                    | 2                    | 6                    | 4                    |   |
| 8           | 142-159     | Heater Blank Off Plate             | X                    | X                    | X                    | X                    | X                    |                      |                      |                 | X                    | X                    | X                    |                      | X                    | X                    | X                    |                      |                      | X                    | X                    | X                    |                      |                      |   |
|             | 8604-139    | Heat Strip 6KW                     |                      |                      |                      |                      |                      | X                    | X                    |                 |                      |                      |                      | X                    |                      |                      |                      | X                    |                      |                      |                      |                      |                      | X                    |   |
|             | 8604-140    | Heat Strip 9KW                     |                      |                      |                      |                      |                      |                      |                      |                 |                      |                      |                      |                      |                      |                      |                      |                      | X                    |                      |                      |                      |                      |                      | X |
| 9           | 8201-130    | Relay                              |                      | X                    | X                    |                      | X                    | X                    | X                    | X               |                      | X                    | X                    | X                    |                      | X                    | X                    | X                    | X                    |                      | X                    | X                    | X                    | X                    | X |
| 10          | 142-159     | Heater Blank Off Plate             | X                    |                      |                      | X                    |                      |                      |                      |                 | X                    |                      |                      |                      | X                    |                      |                      |                      |                      | X                    |                      |                      |                      |                      |   |
|             | 8604-139    | Heat Strip 6KW                     |                      | X                    |                      |                      | X                    |                      |                      |                 |                      | X                    |                      |                      |                      | X                    |                      |                      |                      |                      | X                    |                      |                      |                      |   |
|             | 8604-140    | Heat Strip 9KW                     |                      |                      | X                    |                      |                      | X                    | X                    | X               |                      |                      | X                    | X                    |                      |                      | X                    | X                    | X                    |                      |                      | X                    | X                    | X                    | X |
| 11          | 3000-1402   | 6-Pin Electric Heater Wire Harness |                      | X                    | X                    |                      | X                    | X                    | X                    | X               |                      | X                    | X                    | X                    |                      | X                    | X                    | X                    | X                    |                      | X                    | X                    | X                    | X                    | X |
| 12          | 127-418     | Circuit Breaker Base               | X                    | X                    | X                    | X                    | X                    | X                    | X                    | X               | X                    | X                    | X                    | X                    | X                    | X                    | X                    | X                    | X                    | X                    | X                    | X                    | X                    | X                    | X |
| 15          | 8615-067    | Toggle Disconnect 40A 460V         | X                    | X                    | X                    | X                    | X                    | X                    |                      |                 | X                    | X                    | X                    | X                    | X                    | X                    | X                    | X                    | X                    | X                    | X                    | X                    | X                    | X                    | X |
| 15          | 8615-077    | Circuit Breaker, 30A, 3-Pole, 460V |                      |                      |                      |                      |                      |                      | X                    |                 |                      |                      |                      |                      |                      |                      |                      |                      |                      |                      |                      |                      |                      |                      |   |
| NS          | 8615-069    | Toggle Disconnect Cover Plate      | X                    | X                    | X                    | X                    | X                    | X                    |                      |                 | X                    | X                    | X                    | X                    | X                    | X                    | X                    | X                    | X                    | X                    | X                    | X                    | X                    | X                    | X |

NS = Not Shown

# VENT BOX (ONLY) COMPONENTS



SEXP-623

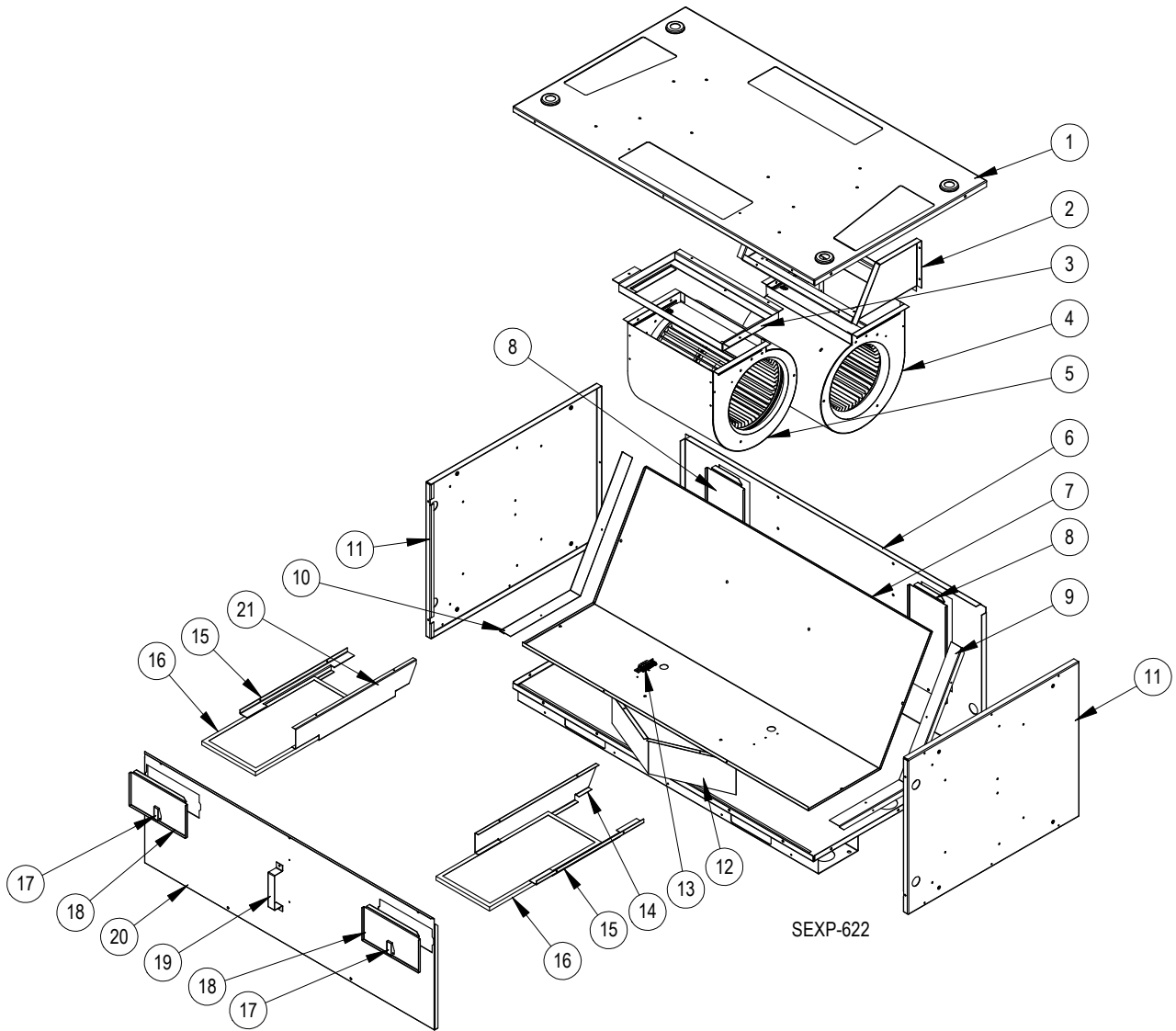
## VENT BOX (ONLY) COMPONENTS

---

| <b>Drawing No.</b> | <b>Part Number</b> | <b>Description</b>     | <b>Vent Box Only</b> |
|--------------------|--------------------|------------------------|----------------------|
| 1                  | S143X164           | Right Side Intake Fill | X                    |
| 2                  | 507-298            | Vent Box Top           | X                    |
| 3                  | S527-419           | Vent Box Base          | X                    |
| 4                  | 543-158            | Drain Access Plate     | 2                    |
| 5                  | S501-639           | Vent Box Side          | 2                    |
| 6                  | 553-508            | Vent Box Door          | X                    |
| 7                  | 113-441            | Door Latch Bracket     | X                    |
| 8                  | S143-160           | Lower Intake Fill      | X                    |
| 9                  | S143Y164           | Left Side Intake Fill  | X                    |
| 10                 | S143-161           | Upper Intake Fill      | X                    |

# CRV COMPONENTS

---



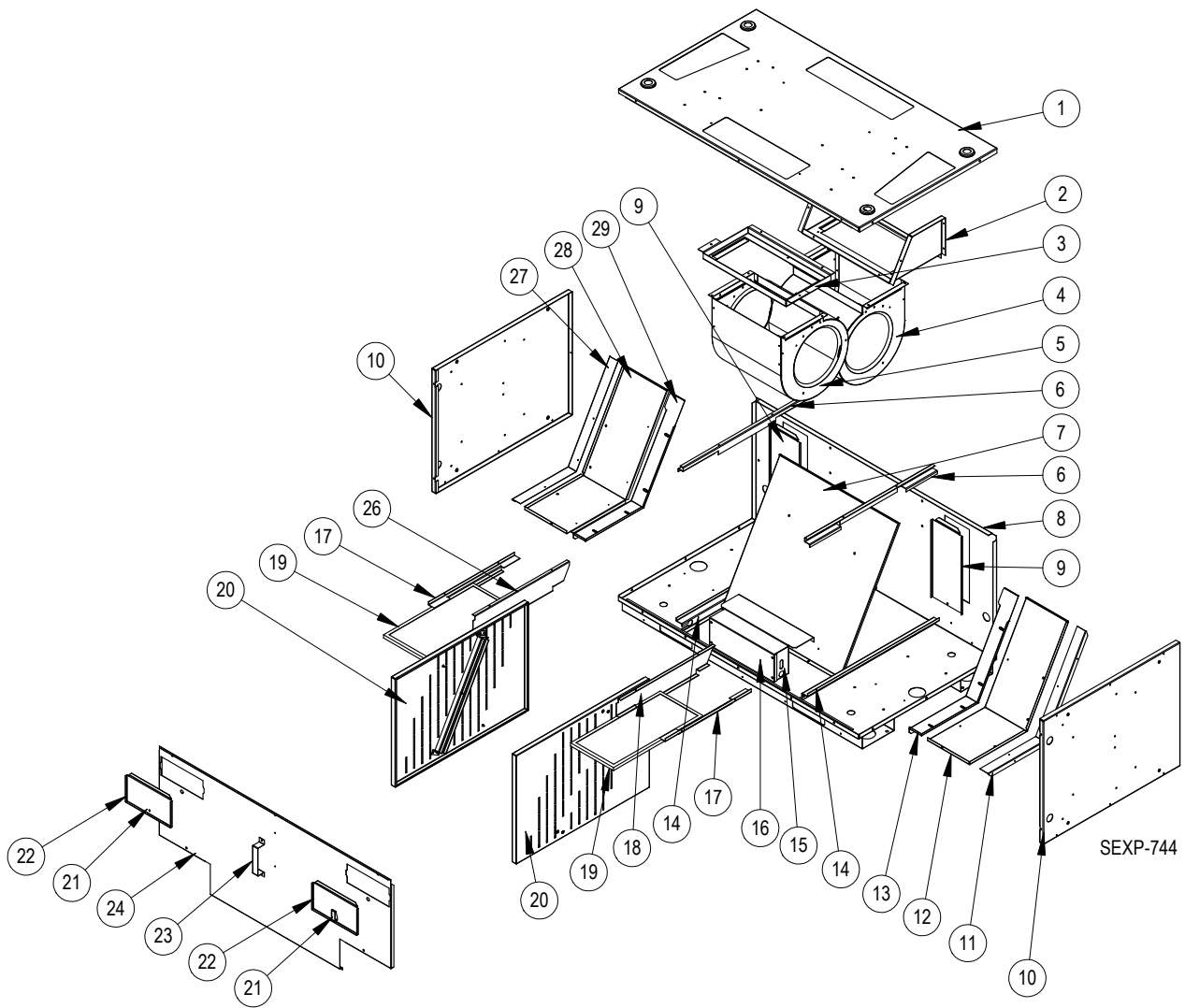


# CRV COMPONENTS

| Drawing No. | Part Number | Description                              | CRV 920-0012 |          |
|-------------|-------------|--|--------------|----------|
|             |             |  | ERV/ECON     | 920-0196 |
| 1           | S507-297    | Vent Box Top                             | X            | X        |
| 2           | 103-489     | Rear Blower Offset                       | X            | X        |
| 3           | 103-488     | Front Blower Offset                      | X            | X        |
| 4           | 900-318-001 | Exhaust Blower Assembly                  | X            |          |
| 4           | 900-318-005 | Exhaust Blower Assembly                  |              | X        |
| 5           | 900-318-002 | Intake Blower Assembly                   | X            |          |
| 5           | 900-316-006 | Intake Blower Assembly                   |              | X        |
| 6           | S527-419    | Vent Box Base                            | X            | X        |
| 7           | 521-459     | Partition                                | X            | X        |
| 8           | 543-158     | Drain Access Plate                       | 2            | 2        |
| 9           | 505X1260    | Right Partition Angle                    | X            | X        |
| 10          | 505Y1260    | Left Partition Angle                     | X            | X        |
| 11          | S501-638    | Vent Box Side                            | 2            | 2        |
| 12          | 569-179     | Baffle                                   | X            | X        |
| 13          | S910-1809   | Terminal Block Assembly                  | X            | X        |
| 14          | 141X382     | Right Lower Filter Bracket               | X            | X        |
| 15          | 141-381     | Filter Angle                             | 2            | X        |
| 16          | 7003-064    | Vent Intake Filter                       | 2            | 2        |
| 17          | 1171-053    | Swell Latch                              | 2            | 2        |
| 18          | S153-506    | Filter Door                              | 2            | 2        |
| 19          | 113-441     | Door Latch Bracket                       | X            | X        |
| 20          | S553-507    | Blower Door                              | X            | X        |
| 21          | 141Y382     | Left Lower Filter Bracket                | X            | X        |
| NS          | 3000-1403   | Intake/Exhaust Power Plug                | X            | X        |
| NS          | 3000-1404   | Intake/Exhaust Speed Plug                | 2            |          |
| NS          | 3000-1445   | Intake/Exhaust Speed Plug                |              | X        |
| NS          | 3000-1406   | Vent Section Plug                        | X            |          |
| NS          | 3000-1446   | Vent Section Plug                        |              | X        |
| NS          | 3000-1411   | Unit Control Panel Plug                  | X            |          |
| NS          | 3000-1447   | Unit Control Panel Plug                  |              | X        |
| NS          | 8201-062    | Relay (in unit control panel)            | X            |          |
| NS          | 8201-130    | Relay, SPDT (in unit control panel)      |              | 3        |
| NS          | 8201-071    | Relay, 3PDT (in unit control panel)      |              | X        |
| NS          | 8408-047    | Outdoor Thermostat (beside outdoor coil) |              | X        |

NS = Not Shown

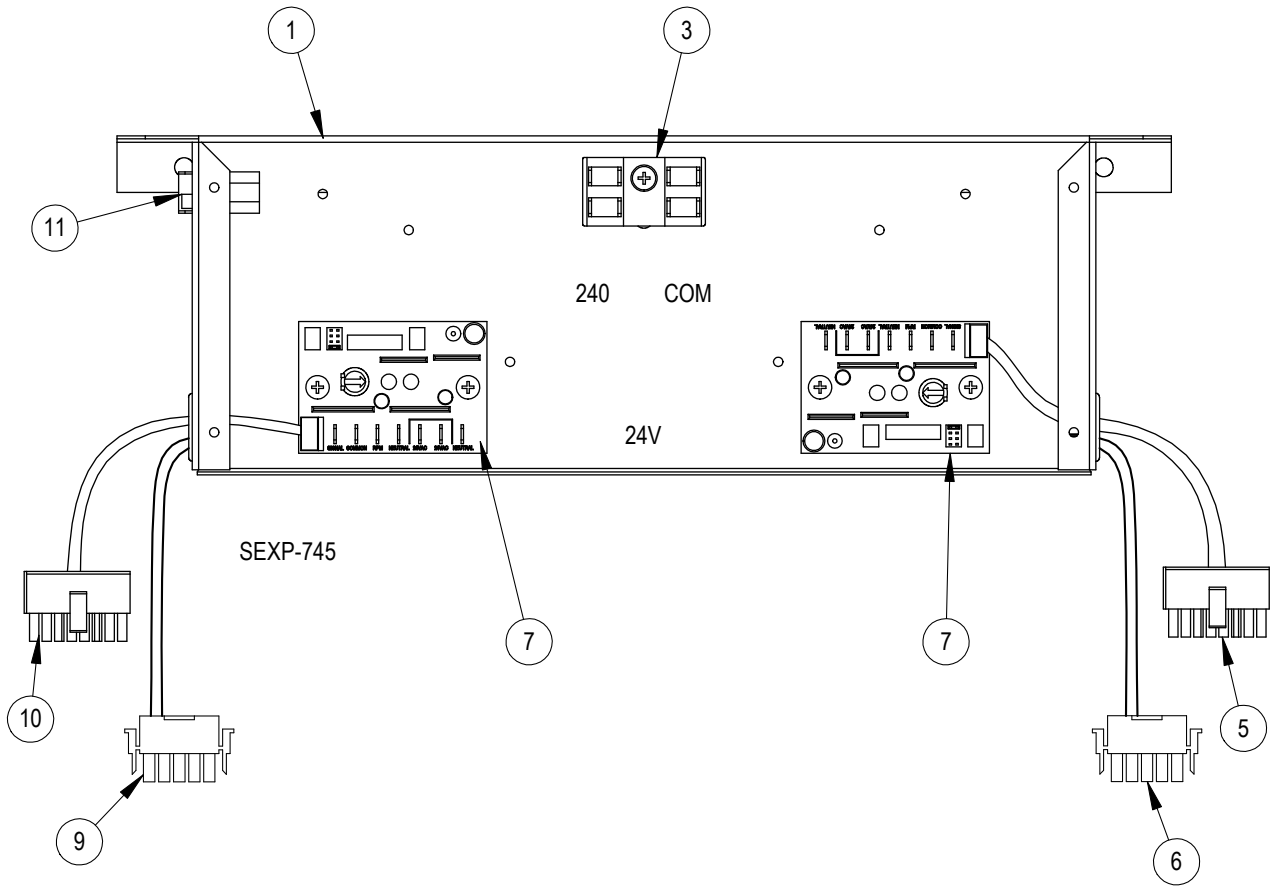
# MODULATING CRV COMPONENTS



# MODULATING CRV COMPONENTS

| Drawing No. | Part Number   | Description                | Modulating CRV |
|-------------|---------------|----------------------------|----------------|
| 1           | S507-297      | Vent Box Top               | X              |
| 2           | 103-489       | Rear Blower Offset         | X              |
| 3           | 103-488       | Front Blower Offset        | X              |
| 4           | 900-319-003   | Exhaust Blower Assembly    | X              |
| 5           | 900-319-004   | Intake Blower Assembly     | X              |
| 6           | 141-379       | Cassette Upper Rail        | 2              |
| 7           | 521-457       | Partition                  | X              |
| 8           | S527-419      | Vent Box Base              | X              |
| 9           | 543-158       | Drain Access Plate         | 2              |
| 10          | S501-638      | Vent Box Side              | 2              |
| 11          | 505X1260      | Right Partition Angle      | X              |
| 12          | 521-464       | Right Side Partition       | X              |
| 13          | S105X1258     | Right Cassette Seal Angle  | X              |
| 14          | 141-380       | Cassette Lower Rail        | 2              |
| 15          | Control Panel | See Control Panel section  | x              |
| 16          | 153-511       | Control Panel Cover        | X              |
| 17          | 141-381       | Filter Angle               | 2              |
| 18          | 141X382       | Right Lower Filter Bracket | X              |
| 19          | 7003-064      | Vent Intake Filter         | 2              |
| 20          | 139-332       | Restrictor Plate           | 2              |
| 21          | 1171-053      | Swell Latch                | 2              |
| 22          | S153-506      | Filter Door                | 2              |
| 23          | 113-441       | Door Latch Bracket         | X              |
| 24          | S553-505      | Cassette Door              | X              |
| 26          | 141Y382       | Left Lower Filter Bracket  | X              |
| 27          | 105Y1260      | Left Partition Angle       | X              |
| 28          | 521-465       | Left Side Partition        | X              |
| 29          | S105Y1258     | Left Cassette Seal Angle   | X              |

# MODULATING CRV CONTROL PANEL COMPONENTS



# MODULATING CRV CONTROL PANEL COMPONENTS

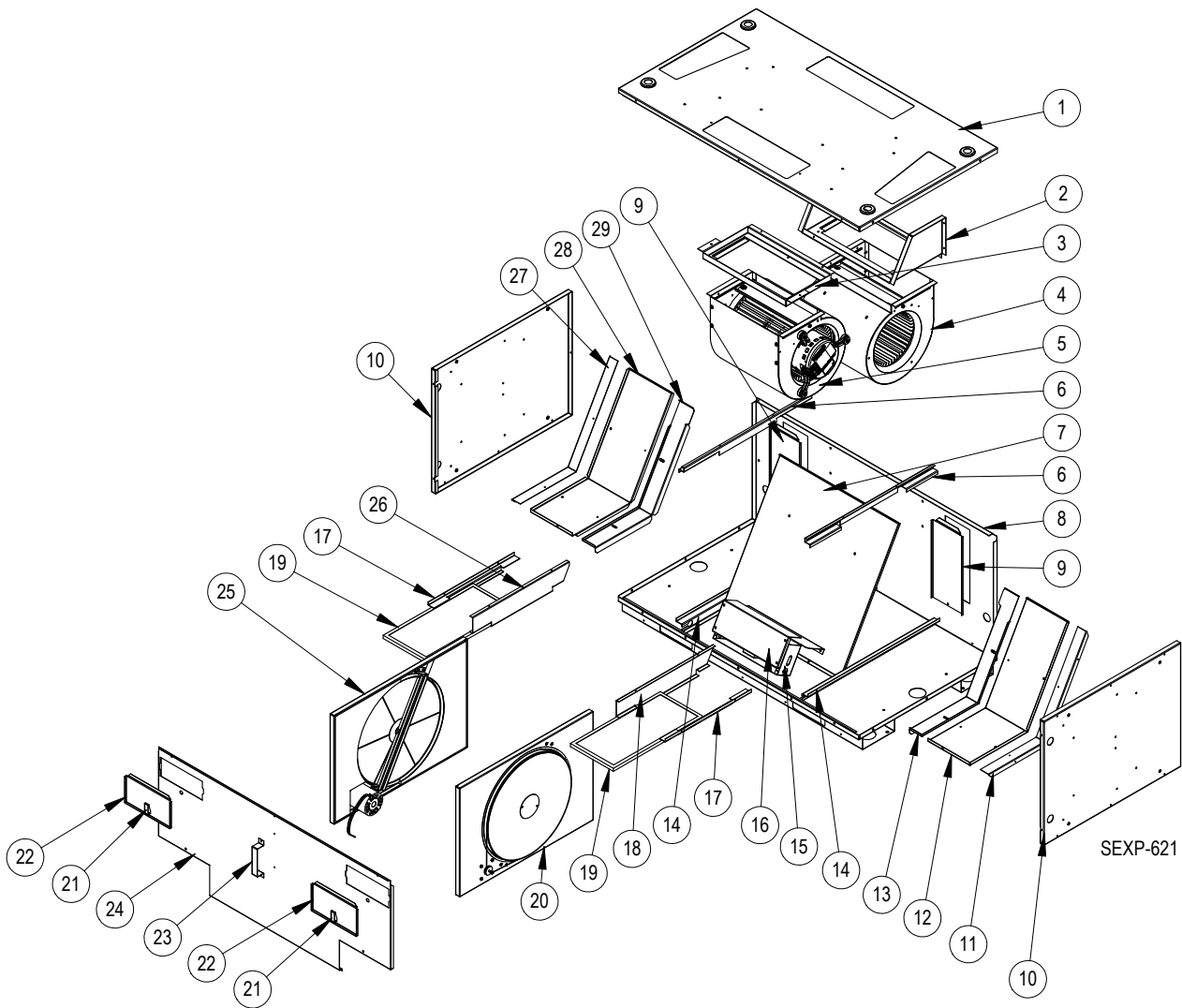
---

| Drawing No. | Part Number | Description                   | Modulating CRV Control Panel |
|-------------|-------------|-------------------------------|------------------------------|
| 1           | 117-323     | Control Panel                 | X                            |
| 3           | 8607-017    | Terminal Block                | X                            |
| 5           | 3000-1358   | Intake Speed Plug             | X                            |
| 6           | 3000-1331   | Intake Plover Plug            | X                            |
| 7           | 8201-124    | Blower Control Board          | 2                            |
| 9           | 3000-1407   | Exhaust Power Plug            | X                            |
| 10          | 3000-1356   | Exhaust Speed Plug            | X                            |
| 11          | 3000-1409   | Vent Section Plug             | X                            |
| NS          | 3000-1408   | Extension Plug                | X                            |
| NS          | 3000-1405   | Unit Control Panel Plug       | X                            |
| NS          | 8201-013    | Relay (in unit Control Panel) | X                            |

NS = Not Shown

# ERV COMPONENTS

---

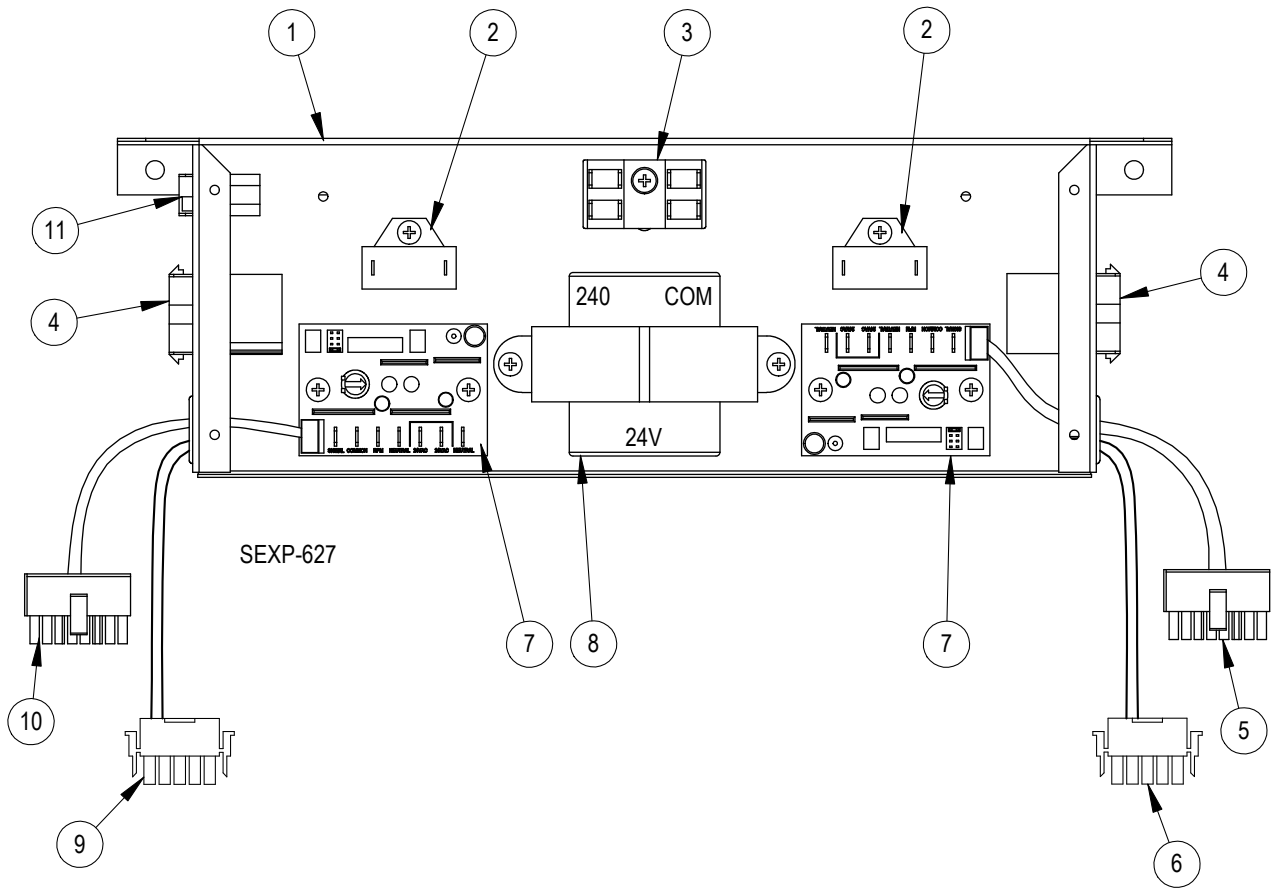


# ERV COMPONENTS

---

| Drawing No. | Part Number   | Description   | ERV |
|-------------|---------------|---|-----|
| 1           | S507-297      | Vent Box Top  | X   |
| 2           | 103-489       | Rear Blower Offset  | X   |
| 3           | 103-488       | Front Blower Offset   | X   |
| 4           | 900-319-001   | Exhaust Blower Assembly   | X   |
| 5           | 900-319-002   | Intake Blower Assembly  | X   |
| 6           | 141-379       | Cassette Upper Rail   | 2   |
| 7           | 521-457       | Partition   | X   |
| 8           | S527-419      | Vent Box Base   | X   |
| 9           | 543-158       | Drain Access Plate  | 2   |
| 10          | S501-638      | Vent Box Side   | 2   |
| 11          | 505X1260      | Right Partition Angle   | X   |
| 12          | 521-464       | Right Side Partition  | X   |
| 13          | S105X1258     | Right Cassette Seal Angle   | X   |
| 14          | 141-380       | Cassette Lower Rail   | 2   |
| 15          | Control Panel | See Control Panel section   | x   |
| 16          | 153-511       | Control Panel Cover   | X   |
| 17          | 141-381       | Filter Angle  | 2   |
| 18          | 141X382       | Right Lower Filter Bracket  | X   |
| 19          | 7003-064      | Vent Intake Filter  | 2   |
| 20          | 5070-055      | Right Cassette Assembly - Complete<br>See cassette section for individual parts | X   |
| 21          | 1171-053      | Swell Latch   | 2   |
| 22          | S153-506      | Filter Door   | 2   |
| 23          | 113-441       | Door Latch Bracket  | X   |
| 24          | S553-505      | Cassette Door   | X   |
| 25          | 5070-056      | Left Cassette Assembly - Complete<br>See cassette section for individual parts  | X   |
| 26          | 141Y382       | Left Lower Filter Bracket   | X   |
| 27          | 105Y1260      | Left Partition Angle  | X   |
| 28          | 521-465       | Left Side Partition   | X   |
| 29          | S105Y1258     | Left Cassette Seal Angle  | X   |

# ERV CONTROL PANEL COMPONENTS





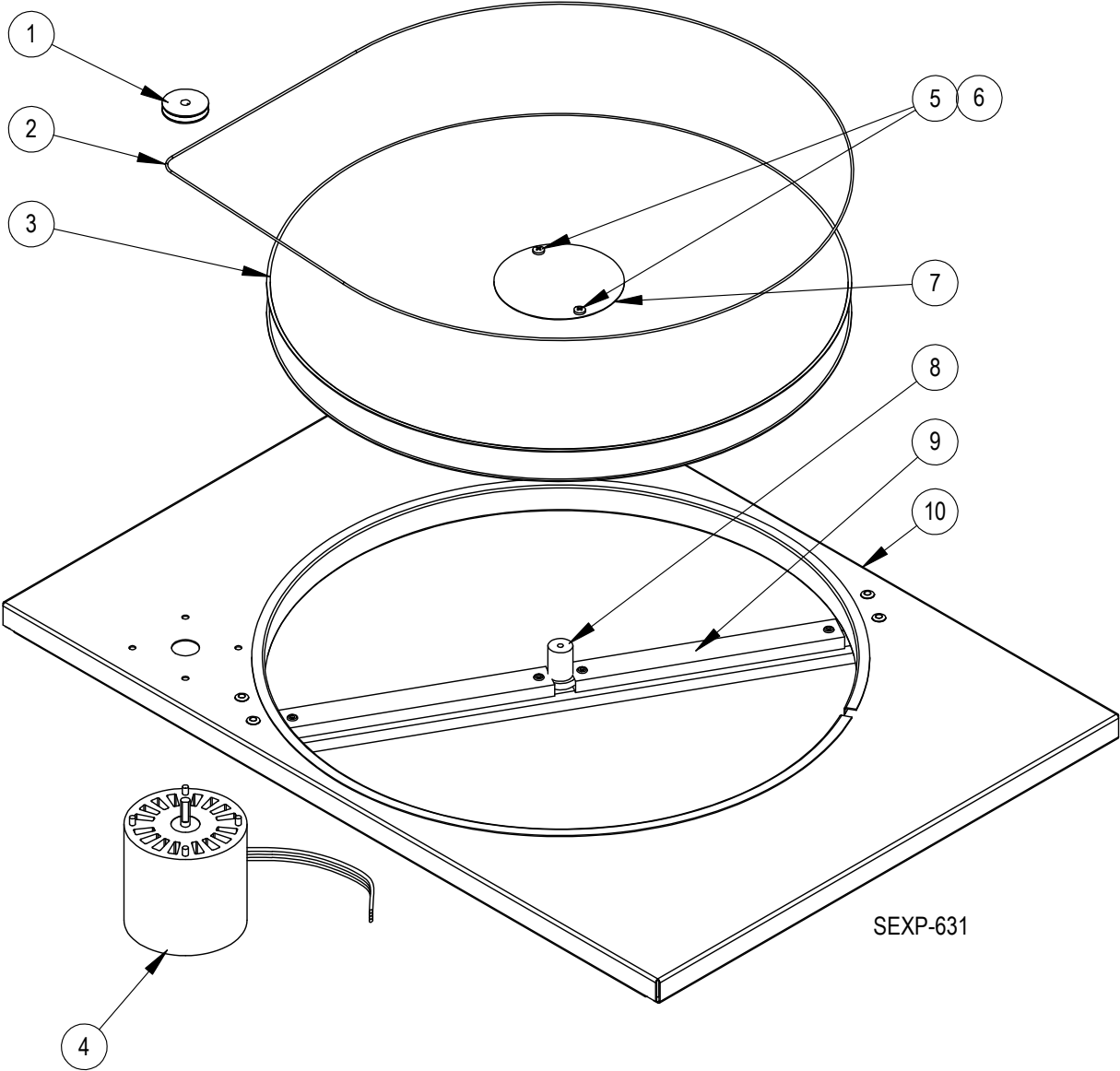
# ERV CONTROL PANEL COMPONENTS

---


| Drawing No. | Part Number | Description                   | ERV Control Panel |
|-------------|-------------|-------------------------------|-------------------|
| 1           | 117-323     | Control Panel                 | X                 |
| 2           | 8552-070    | 3MFD 250V Capacitor           | 2                 |
| 3           | 8607-017    | Terminal Block                | X                 |
| 4           | 3000-1410   | Cassette Motor Plug           | 2                 |
| 5           | 3000-1358   | Intake Speed Plug             | X                 |
| 6           | 3000-1331   | Intake Plover Plug            | X                 |
| 7           | 8201-124    | Blower Control Board          | 2                 |
| 8           | 8407-043    | 60VA Transformer              | X                 |
| 9           | 3000-1407   | Exhaust Power Plug            | X                 |
| 10          | 3000-1356   | Exhaust Speed Plug            | X                 |
| 11          | 3000-1409   | Vent Section Plug             | X                 |
| NS          | 3000-1408   | Extension Plug                | X                 |
| NS          | 3000-1405   | Unit Control Panel Plug       | X                 |
| NS          | 8201-013    | Relay (in unit Control Panel) | X                 |

NS = Not Shown

# ERV CASSETTE COMPONENTS

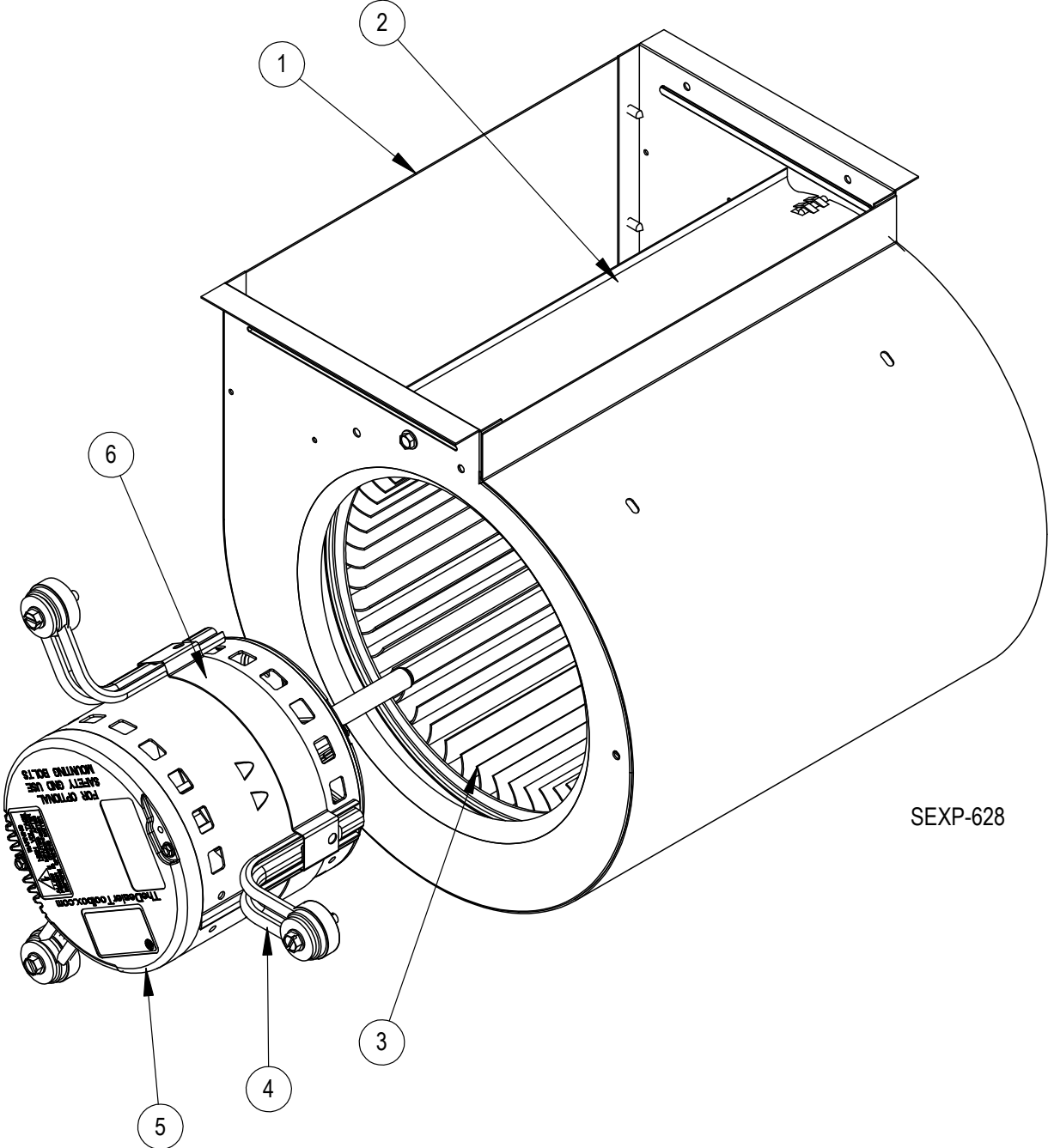


# ERV CASSETTE COMPONENTS

| Drawing No. | Part Number  | Description                       | 5070-055 Right Cassette | 5070-056 Left Cassette |
|-------------|--|-----------------------------------|-------------------------|------------------------|
| 1           | 5501-018   | Pulley                            | X                       | X                      |
| 2           | 5070-030  | Drive Belt                        | X                       | X                      |
| 3           | 5070-043   | Cassette Wheel                    | X                       | X                      |
| 4           | 8101-016   | Motor                             | X                       | X                      |
| 5           | 1012-164   | Machine Screw                     | 2                       | 2                      |
| 6           | 8611-111   | Nylon Spacer                      | 2                       | 2                      |
| 7           | 142-104  | Hub Cover                         | X                       | X                      |
| 8           | 1912-012   | Wheel Shaft                       | X                       | X                      |
| 9           | 105-1259   | Cassette Wheel Angle              | X                       | X                      |
| 10          | 539X275  | Right Hand Cassette Plate         | X                       |                        |
| 10          | 539Y275  | Left Hand Cassette Plate          |                         | X                      |
| NS          | 8620-204   | ERV Bearing, Shaft & Hardware Kit | X                       | X                      |
| NS          | 8620-205   | ERV Shaft & Hardware Kit          | X                       | X                      |

NS = Not Shown

# CRV/ERV BLOWER COMPONENTS

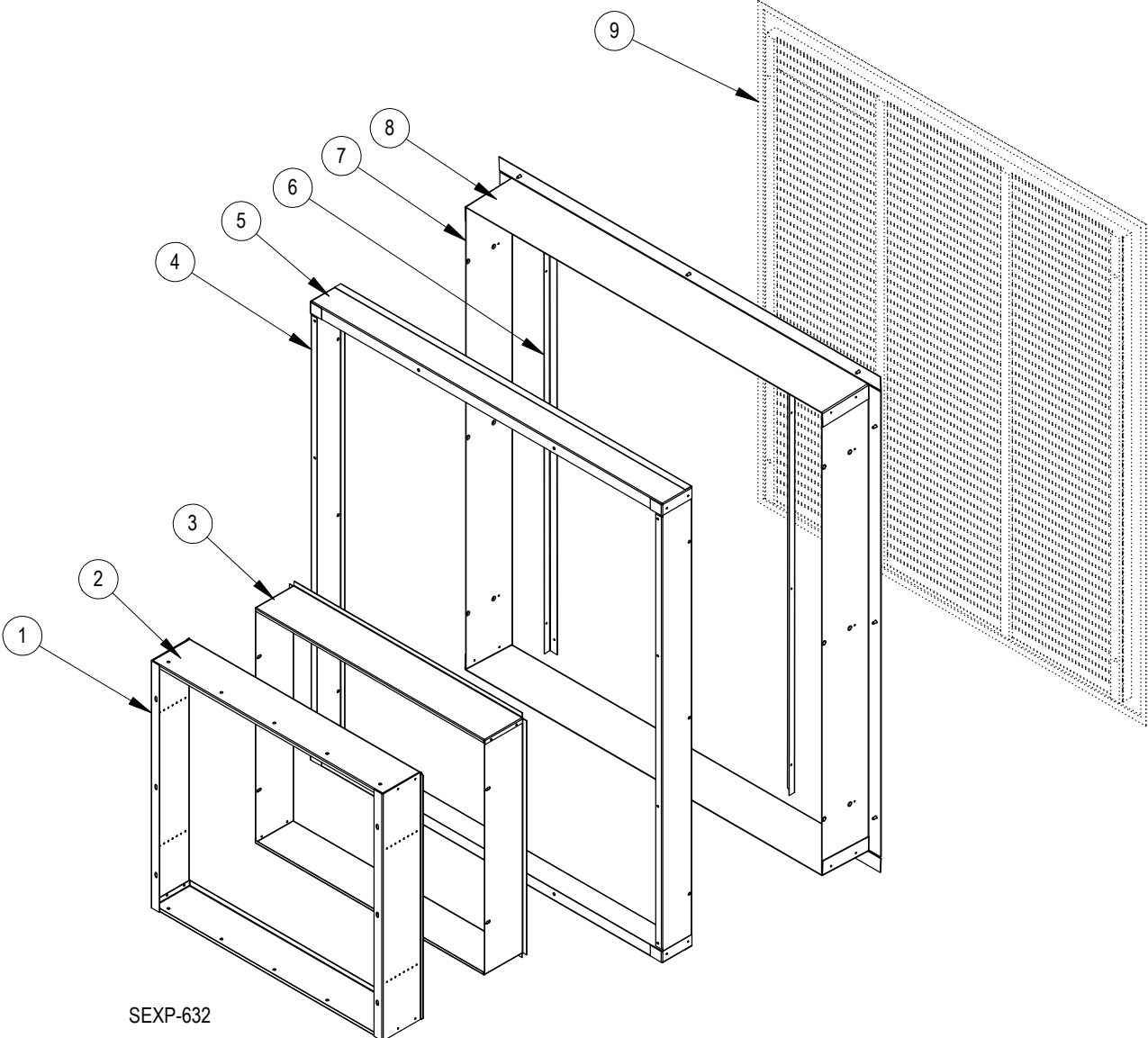


SEXP-628

## CRV/ERV BLOWER COMPONENTS

| Drawing No. | Part Number    | Description                                | 900-318-001 | 900-318-002 | 900-319-001 | 900-319-002 | 900-319-003 | 900-319-004 |
|-------------|----------------|--|-------------|-------------|-------------|-------------|-------------|-------------|
| 1           | 151-124        | Blower Housing                             | X           | X           | X           | X           | X           | X           |
| 2           | 144-129        | Diffuser                                   | X           | X           | X           | X           | X           | X           |
| 3           | 5152-067       | Blower Wheel                               | X           | X           | X           | X           | X           | X           |
| 4           | 8200-046       | Motor Mount Arm                            | 3           | 3           | 3           | 3           | 3           | 3           |
| 5           | S8105-056-0104 | 1/3 HP Programmed Motor – CRV Exhaust      | X           |             |             |             |             |             |
| 5           | S8105-056-0105 | 1/3 HP Programmed Motor – CRV Intake       |             | X           |             |             |             |             |
| 5           | S8105-059-0106 | 1/3 HP Programmed Motor – ERV Exhaust      |             |             | X           |             |             |             |
| 5           | S8105-059-0107 | 1/3 HP Programmed Motor – ERV Intake       |             |             |             | X           |             |             |
| 5           | S8105-059-0140 | 1/3 HP Programmed Motor – Mod. CRV Exhaust |             |             |             |             | X           |             |
| 5           | S8105-059-0141 | 1/3 HP Programmed Motor – Mod. CRV Intake  |             |             |             |             |             | X           |
| 6           | 8620-034       | Motor Mount Band                           | X           | X           | X           | X           | X           | X           |

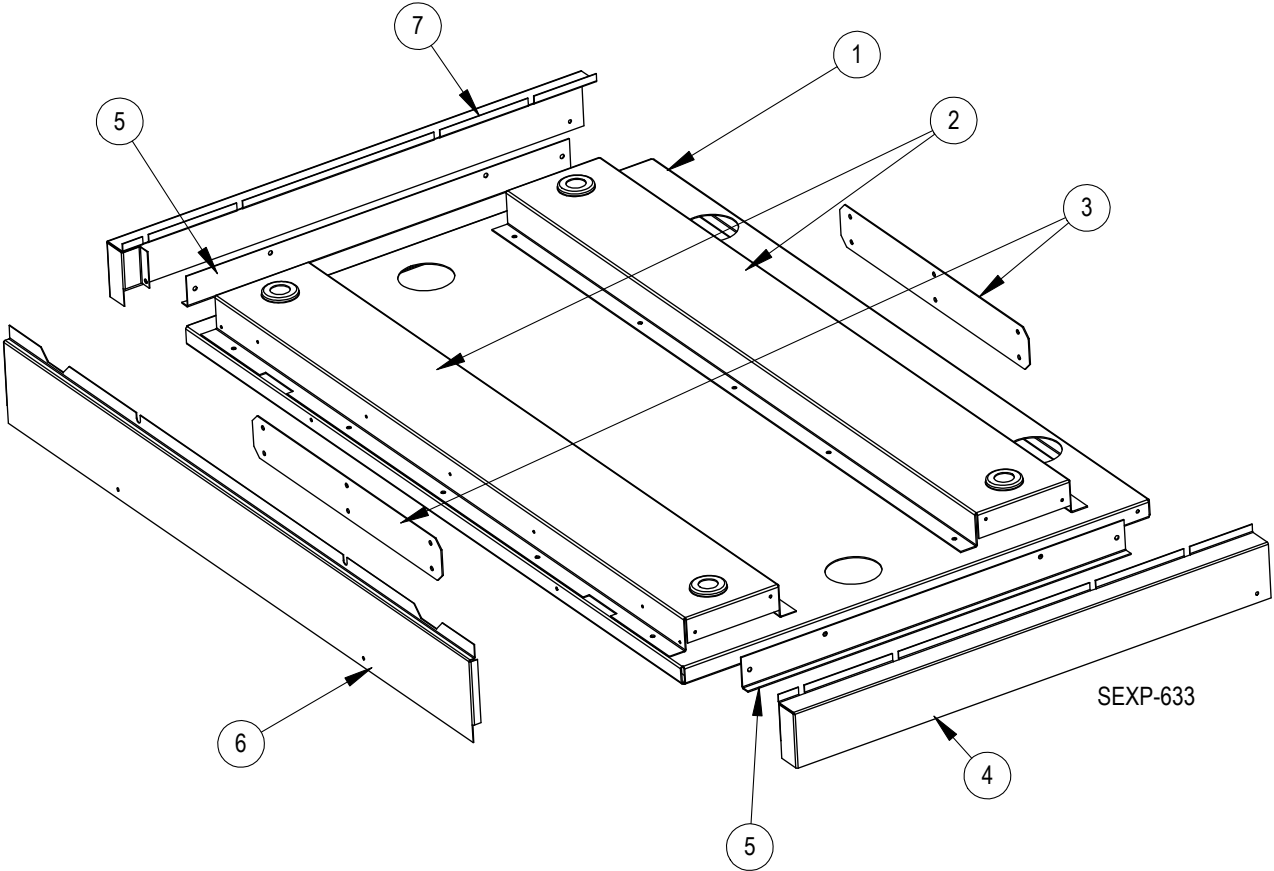
# SLEEVE COMPONENTS



# SLEEVE COMPONENTS

| Drawing No. | Part Number         | Description                            | IWS-A | IWS-B | IWS-C |
|-------------|---------------------|--|-------|-------|-------|
| 1           | S111-188-8 4½" Deep | Outer Sleeve Side                      | 2     |       |       |
|             | S111-195-8 7" Deep  |  |       | 2     |       |
|             | S111-202-8 12" Deep |  |       |       | 2     |
| 2           | S111-187-8 4½" Deep | Outer Sleeve End                       | 2     |       |       |
|             | S111-194-8 7" Deep  |  |       | 2     |       |
|             | S111-201-8 12" Deep |  |       |       | 2     |
| 3           | 111-189-8 4½" Deep  | Inner Fan Sleeve Side                  | 2     |       |       |
|             | 111-196-8 7" Deep   |  |       | 2     |       |
|             | 111-203-8 12" Deep  |  |       |       | 2     |
| 4           | 111-186-8 3½" Deep  | Inner Sleeve Side                      | 2     |       |       |
|             | 111-193-8 6" Deep   |  |       | 2     |       |
|             | 111-200-8 11" Deep  |  |       |       | 2     |
| 5           | 111-185-8 3½" Deep  | Inner Sleeve End                       | 2     |       |       |
|             | 111-192-8 6" Deep   |  |       | 2     |       |
|             | 111-199-8 11" Deep  |  |       |       | 2     |
| 6           | 105-1257-8          | Grille Support Angle                   | 2     | 2     | 2     |
| 7           | 111-184-8 5½" Deep  | Outer Sleeve Side                      | 2     |       |       |
|             | 111-191-8 8" Deep   |  |       | 2     |       |
|             | 111-198-8 13" Deep  |  |       |       | 2     |
| 8           | 111-183-8 5½" Deep  | Outer Sleeve End                       | 2     |       |       |
|             | 111-190-8 8" Deep   |  |       | 2     |       |
|             | 111-197-8 13" Deep  |  |       |       | 2     |
| 9           | ILG-10              | Outdoor Louver Grille - Clear anodized | X     | X     | X     |
|             | ILG-20              | Outdoor Louver Grille - Medium Bronze  | X     | X     | X     |
|             | ILG-30              | Outdoor Louver Grille - Dark Bronze    | X     | X     | X     |

# RISER PLATFORM COMPONENTS





# RISER PLATFORM COMPONENTS

---

| Drawing No. | Part Number  | Description           | IRP-3-* | IRP-6-* |
|-------------|--------------|-----------------------|---------|---------|
| 1           | 127-420-X    | Base Plate            | X       | X       |
| 2           | 141-384 3"   | Base Rail             | 2       |         |
|             | 141-385 6"   |                       |         | 2       |
| 3           | 112-447      | Base Connection Plate | 2       | 2       |
| 4           | 135-311-* 3" | Right Side Trim       | X       |         |
|             | 135-314-* 6" |                       |         | X       |
| 5           | 105-1263 3"  | Side Support Angle    | 2       |         |
|             | 105-1264 6"  |                       |         | 2       |
| 6           | 135-309-* 3" | Front Trim            | X       |         |
|             | 135-312-* 6" |                       |         | X       |
| 7           | 135-310-* 3" | Left Side Trim        | X       |         |
|             | 135-313-* 6" |                       |         | X       |

\* Exterior cabinet parts are manufactured with various paint color options. To ensure the proper paint color is received, reference the following codes:

*Beige*            -X  
*White*            -1  
*Buckeye Gray* -4