

REPLACEMENT PARTS MANUAL

I-TEC® Series Packaged Heat Pump

Models:

I30H1-A I30H1DA I36H1-A I36H1DA I42H1-A I42H1DA I48H1-A I48H1DA I60H1-A I60H1DA
 I30H1-B I30H1DB I36H1-B I36H1DB I42H1-B I42H1DB I48H1-B I48H1DB I60H1-B I60H1DB
 I30H1-C I30H1DC I36H1-C I36H1DC I42H1-C I42H1DC I48H1-C I48H1DC I60H1-C I60H1DC

| Description | Page | Description | Page |
|---|---------|--|------|
| Wiring Diagram Charts | | Modulating CRV Control Panel Components | |
| • Matrix | 2 - 3 | • Exploded View | 28 |
| Cabinet Components | | • Usage List | 29 |
| • Exploded View | 4 | ERV Components | |
| • Usage List | 5 | • Exploded View | 30 |
| Painted Cabinet Components | | • Usage List | 31 |
| • Exploded View | 6 | ERV Control Panel Components | |
| • Usage List | 7 | • Exploded View | 32 |
| Functional Components | | • Usage List | 33 |
| • Exploded View | 8 | ERV Cassette Components | |
| • Usage List | 9 | • Exploded View | 34 |
| • Usage List | 10 | • Usage List | 35 |
| Blower Assembly | | CRV/ERV Blower Components | |
| • Exploded View | 11 | • Exploded View | 36 |
| • Usage List | 11 | • Usage List | 37 |
| Control Panel Components - 1 Phase | | Sleeve Components | |
| • Exploded View | 12 | • Exploded View | 38 |
| • Usage List | 13 | • Usage List | 39 |
| Control Panel Components - 3 Phase | | Riser Platform Components | |
| • Exploded View | 14 | • Exploded View | 40 |
| • Usage List | 15 | • Usage List | 41 |
| Control Panel Components - 460V 3 Phase | | General Notes | |
| • Exploded View | 16 | ➤ Revised and/or additional pages may be issued from time to time. | |
| • Usage List | 17 | ➤ A complete and current manual consists of pages shown in the following contents section. | |
| Electric Heater Components | | Important | |
| • Exploded View | 18 | ➤ Contact the installing and/or local Bard distributor for all parts requirements. Be sure to have the complete model and serial number available from the unit rating plates. | |
| • Usage Lists | 19 - 21 | | |
| Vent Box (Only) Components | | | |
| • Exploded View | 22 | | |
| • Usage List | 23 | | |
| CRV Components | | | |
| • Exploded View | 24 | | |
| • Usage List | 25 | | |
| Modulating CRV Components | | | |
| • Exploded View | 26 | | |
| • Usage List | 27 | | |



Bard Manufacturing Company, Inc.
 Bryan, Ohio 43506
 www.bardhvac.com

Manual: 2110-1538N
 Supersedes: 2110-1538M
 Date: 1-13-23

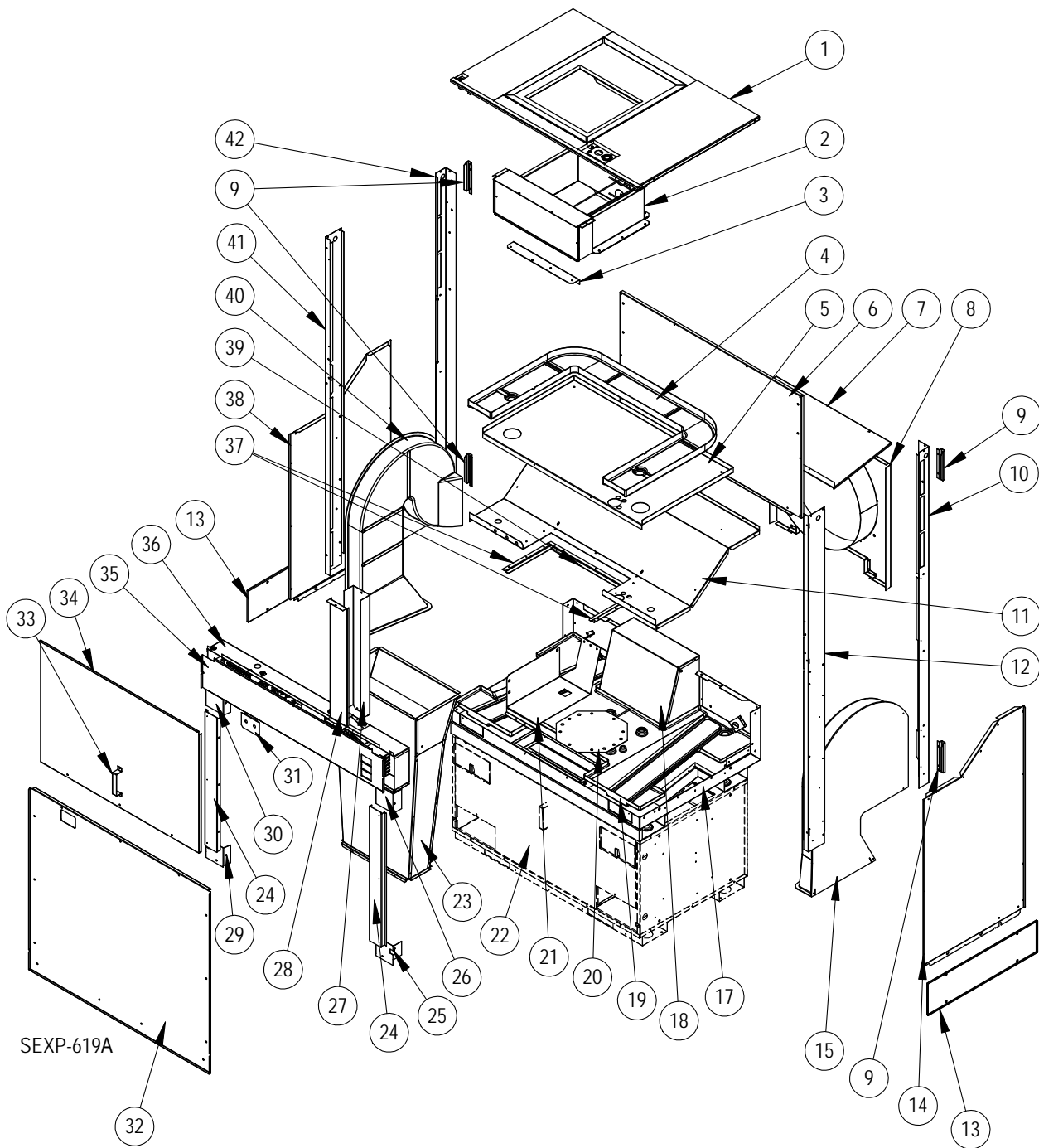
I**H1 SERIES WIRING DIAGRAM MATRIX

| Model | Wiring Diagram | Ventilation Package | Wiring Diagram | Heater | Wiring Diagram |
|---------|----------------|---------------------------------------|----------------|--------|----------------|
| I30H1-A | 4202-103 | Commercial Room Ventilator | 4204-103 | 0KW | 4203-100 |
| | | Energy Recovery Ventilator | 4204-108 | 5KW | 4203-101 |
| | | Economizer | 4204-105 | 10KW | 4203-103 |
| | | Modulating Commercial Room Ventilator | 4204-106 | | |
| I30H1-B | 4202-203 | Commercial Room Ventilator | 4204-103 | 0KW | 4203-200 |
| | | Energy Recovery Ventilator | 4204-108 | 6KW | 4203-201 |
| | | Economizer | 4204-105 | 9KW | 4203-201 |
| | | Modulating Commercial Room Ventilator | 4204-106 | | |
| I30H1-C | 4202-303 | Commercial Room Ventilator | 4204-103 | 0KW | 4203-300 |
| | | Energy Recovery Ventilator | 4204-108 | 6KW | 4203-301 |
| | | Economizer | 4204-105 | 9KW | 4203-301 |
| | | Modulating Commercial Room Ventilator | 4204-106 | | |
| I36H1-A | 4202-103 | Commercial Room Ventilator | 4204-103 | 0KW | 4203-100 |
| | | Energy Recovery Ventilator | 4204-108 | 5KW | 4203-101 |
| | | Economizer | 4204-105 | 10KW | 4203-103 |
| | | Modulating Commercial Room Ventilator | 4204-106 | 15KW | 4203-104 |
| I36H1-B | 4202-203 | Commercial Room Ventilator | 4204-103 | 0KW | 4203-200 |
| | | Energy Recovery Ventilator | 4204-108 | 6KW | 4203-201 |
| | | Economizer | 4204-105 | 9KW | 4203-201 |
| | | Modulating Commercial Room Ventilator | 4204-106 | 15KW | 4203-202 |
| I36H1-C | 4202-303 | Commercial Room Ventilator | 4204-103 | 0KW | 4203-300 |
| | | Energy Recovery Ventilator | 4204-108 | 6KW | 4203-301 |
| | | Economizer | 4204-105 | 9KW | 4203-301 |
| | | Modulating Commercial Room Ventilator | 4204-106 | 15KW | 4203-302 |
| I42H1-A | 4202-103 | Commercial Room Ventilator | 4204-103 | 0KW | 4203-100 |
| | | Energy Recovery Ventilator | 4204-108 | 5KW | 4203-101 |
| | | Economizer | 4204-105 | 10KW | 4203-103 |
| | | Modulating Commercial Room Ventilator | 4204-106 | 15KW | 4203-104 |
| I42H1-B | 4202-203 | Commercial Room Ventilator | 4204-103 | 0KW | 4203-200 |
| | | Energy Recovery Ventilator | 4204-108 | 6KW | 4203-201 |
| | | Economizer | 4204-105 | 9KW | 4203-201 |
| | | Modulating Commercial Room Ventilator | 4204-106 | 15KW | 4203-202 |
| I42H1-C | 4202-303 | Commercial Room Ventilator | 4204-103 | 0KW | 4203-300 |
| | | Energy Recovery Ventilator | 4204-108 | 6KW | 4203-301 |
| | | Economizer | 4204-105 | 9KW | 4203-301 |
| | | Modulating Commercial Room Ventilator | 4204-106 | 15KW | 4203-302 |
| I48H1-A | 4202-103 | Commercial Room Ventilator | 4204-103 | 0KW | 4203-100 |
| | | Energy Recovery Ventilator | 4204-108 | 4KW | 4203-101 |
| | | Economizer | 4204-105 | 5KW | 4203-102 |
| | | Modulating Commercial Room Ventilator | 4204-106 | 10KW | 4203-103 |
| | | | | 15KW | 4203-104 |
| | | | | 20KW | 4203-105 |
| I48H1-B | 4202-203 | Commercial Room Ventilator | 4204-103 | 0KW | 4203-200 |
| | | Energy Recovery Ventilator | 4204-108 | 6KW | 4203-201 |
| | | Economizer | 4204-105 | 9KW | 4203-201 |
| | | Modulating Commercial Room Ventilator | 4204-106 | 15KW | 4203-202 |
| | | | | 18KW | 4203-202 |
| I48H1-C | 4202-303 | Commercial Room Ventilator | 4204-103 | 0KW | 4203-300 |
| | | Energy Recovery Ventilator | 4204-108 | 6KW | 4203-301 |
| | | Economizer | 4204-105 | 9KW | 4203-301 |
| | | Modulating Commercial Room Ventilator | 4204-106 | 15KW | 4203-302 |
| | | | | 18KW | 4203-302 |
| I60H1-A | 4202-103 | Commercial Room Ventilator | 4204-103 | 0KW | 4203-100 |
| | | Energy Recovery Ventilator | 4204-108 | 4KW | 4203-101 |
| | | Economizer | 4204-105 | 5KW | 4203-102 |
| | | Modulating Commercial Room Ventilator | 4204-106 | 10KW | 4203-103 |
| | | | | 15KW | 4203-104 |
| | | | | 20KW | 4203-105 |
| I60H1-B | 4202-203 | Commercial Room Ventilator | 4204-103 | 0KW | 4203-200 |
| | | Energy Recovery Ventilator | 4204-108 | 6KW | 4203-201 |
| | | Economizer | 4204-105 | 9KW | 4203-201 |
| | | Modulating Commercial Room Ventilator | 4204-106 | 15KW | 4203-202 |
| | | | | 18KW | 4203-203 |
| I60H1-C | 4202-303 | Commercial Room Ventilator | 4204-103 | 0KW | 4203-300 |
| | | Energy Recovery Ventilator | 4204-108 | 6KW | 4203-301 |
| | | Economizer | 4204-105 | 9KW | 4203-301 |
| | | Modulating Commercial Room Ventilator | 4204-106 | 15KW | 4203-302 |
| | | | | 18KW | 4203-302 |

I*H1 SERIES WIRING DIAGRAM MATRIX

| Model | Wiring Diagram | Ventilation Package | Wiring Diagram | Heater | Wiring Diagram |
|---------|----------------|---------------------------------------|----------------|--------|----------------|
| I30H1DA | 4202-104 | Commercial Room Ventilator | 4204-103 | 0KW | 4203-100 |
| | | Energy Recovery Ventilator | 4204-108 | 5KW | 4203-101 |
| | | Economizer | 4204-105 | 10KW | 4203-103 |
| | | Modulating Commercial Room Ventilator | 4204-106 | | |
| I30H1DB | 4202-204 | Commercial Room Ventilator | 4204-103 | 0KW | 4203-200 |
| | | Energy Recovery Ventilator | 4204-108 | 6KW | 4203-201 |
| | | Economizer | 4204-105 | 9KW | 4203-201 |
| | | Modulating Commercial Room Ventilator | 4204-106 | | |
| I30H1DC | 4202-304 | Commercial Room Ventilator | 4204-103 | 0KW | 4203-300 |
| | | Energy Recovery Ventilator | 4204-108 | 6KW | 4203-301 |
| | | Economizer | 4204-105 | 9KW | 4203-301 |
| | | Modulating Commercial Room Ventilator | 4204-106 | | |
| I36H1DA | 4202-104 | Commercial Room Ventilator | 4204-103 | 0KW | 4203-100 |
| | | Energy Recovery Ventilator | 4204-108 | 5KW | 4203-101 |
| | | Economizer | 4204-105 | 10KW | 4203-103 |
| | | Modulating Commercial Room Ventilator | 4204-106 | 15KW | 4203-104 |
| I36H1DB | 4202-204 | Commercial Room Ventilator | 4204-103 | 0KW | 4203-200 |
| | | Energy Recovery Ventilator | 4204-108 | 6KW | 4203-201 |
| | | Economizer | 4204-105 | 9KW | 4203-201 |
| | | Modulating Commercial Room Ventilator | 4204-106 | 15KW | 4203-202 |
| I36H1DC | 4202-304 | Commercial Room Ventilator | 4204-103 | 0KW | 4203-300 |
| | | Energy Recovery Ventilator | 4204-108 | 6KW | 4203-301 |
| | | Economizer | 4204-105 | 9KW | 4203-301 |
| | | Modulating Commercial Room Ventilator | 4204-106 | 15KW | 4203-302 |
| I42H1DA | 4202-104 | Commercial Room Ventilator | 4204-103 | 0KW | 4203-100 |
| | | Energy Recovery Ventilator | 4204-108 | 5KW | 4203-101 |
| | | Economizer | 4204-105 | 10KW | 4203-103 |
| | | Modulating Commercial Room Ventilator | 4204-106 | 15KW | 4203-104 |
| I42H1DB | 4202-204 | Commercial Room Ventilator | 4204-103 | 0KW | 4203-200 |
| | | Energy Recovery Ventilator | 4204-108 | 6KW | 4203-201 |
| | | Economizer | 4204-105 | 9KW | 4203-201 |
| | | Modulating Commercial Room Ventilator | 4204-106 | 15KW | 4203-202 |
| I42H1DC | 4202-304 | Commercial Room Ventilator | 4204-103 | 0KW | 4203-300 |
| | | Energy Recovery Ventilator | 4204-108 | 6KW | 4203-301 |
| | | Economizer | 4204-105 | 9KW | 4203-301 |
| | | Modulating Commercial Room Ventilator | 4204-106 | 15KW | 4203-302 |
| I48H1DA | 4202-104 | Commercial Room Ventilator | 4204-103 | 0KW | 4203-100 |
| | | Energy Recovery Ventilator | 4204-108 | 4KW | 4203-101 |
| | | Economizer | 4204-105 | 5KW | 4203-102 |
| | | Modulating Commercial Room Ventilator | 4204-106 | 10KW | 4203-103 |
| | | | | 15KW | 4203-104 |
| | | | | 20KW | 4203-105 |
| I48H1DB | 4202-204 | Commercial Room Ventilator | 4204-103 | 0KW | 4203-200 |
| | | Energy Recovery Ventilator | 4204-108 | 6KW | 4203-201 |
| | | Economizer | 4204-105 | 9KW | 4203-201 |
| | | Modulating Commercial Room Ventilator | 4204-106 | 15KW | 4203-202 |
| | | | | 18KW | 4203-202 |
| I48H1DC | 4202-304 | Commercial Room Ventilator | 4204-103 | 0KW | 4203-300 |
| | | Energy Recovery Ventilator | 4204-108 | 6KW | 4203-301 |
| | | Economizer | 4204-105 | 9KW | 4203-301 |
| | | Modulating Commercial Room Ventilator | 4204-106 | 15KW | 4203-302 |
| | | | | 18KW | 4203-302 |
| I60H1DA | 4202-104 | Commercial Room Ventilator | 4204-103 | 0KW | 4203-100 |
| | | Energy Recovery Ventilator | 4204-108 | 4KW | 4203-101 |
| | | Economizer | 4204-105 | 5KW | 4203-102 |
| | | Modulating Commercial Room Ventilator | 4204-106 | 10KW | 4203-103 |
| | | | | 15KW | 4203-104 |
| | | | | 20KW | 4203-105 |
| I60H1DB | 4202-204 | Commercial Room Ventilator | 4204-103 | 0KW | 4203-200 |
| | | Energy Recovery Ventilator | 4204-108 | 6KW | 4203-201 |
| | | Economizer | 4204-105 | 9KW | 4203-201 |
| | | Modulating Commercial Room Ventilator | 4204-106 | 15KW | 4203-202 |
| | | | | 18KW | 4203-203 |
| I60H1DC | 4202-304 | Commercial Room Ventilator | 4204-103 | 0KW | 4203-300 |
| | | Energy Recovery Ventilator | 4204-108 | 6KW | 4203-301 |
| | | Economizer | 4204-105 | 9KW | 4203-301 |
| | | Modulating Commercial Room Ventilator | 4204-106 | 15KW | 4203-302 |
| | | 18KW | 4203-302 | | |

CABINET COMPONENTS

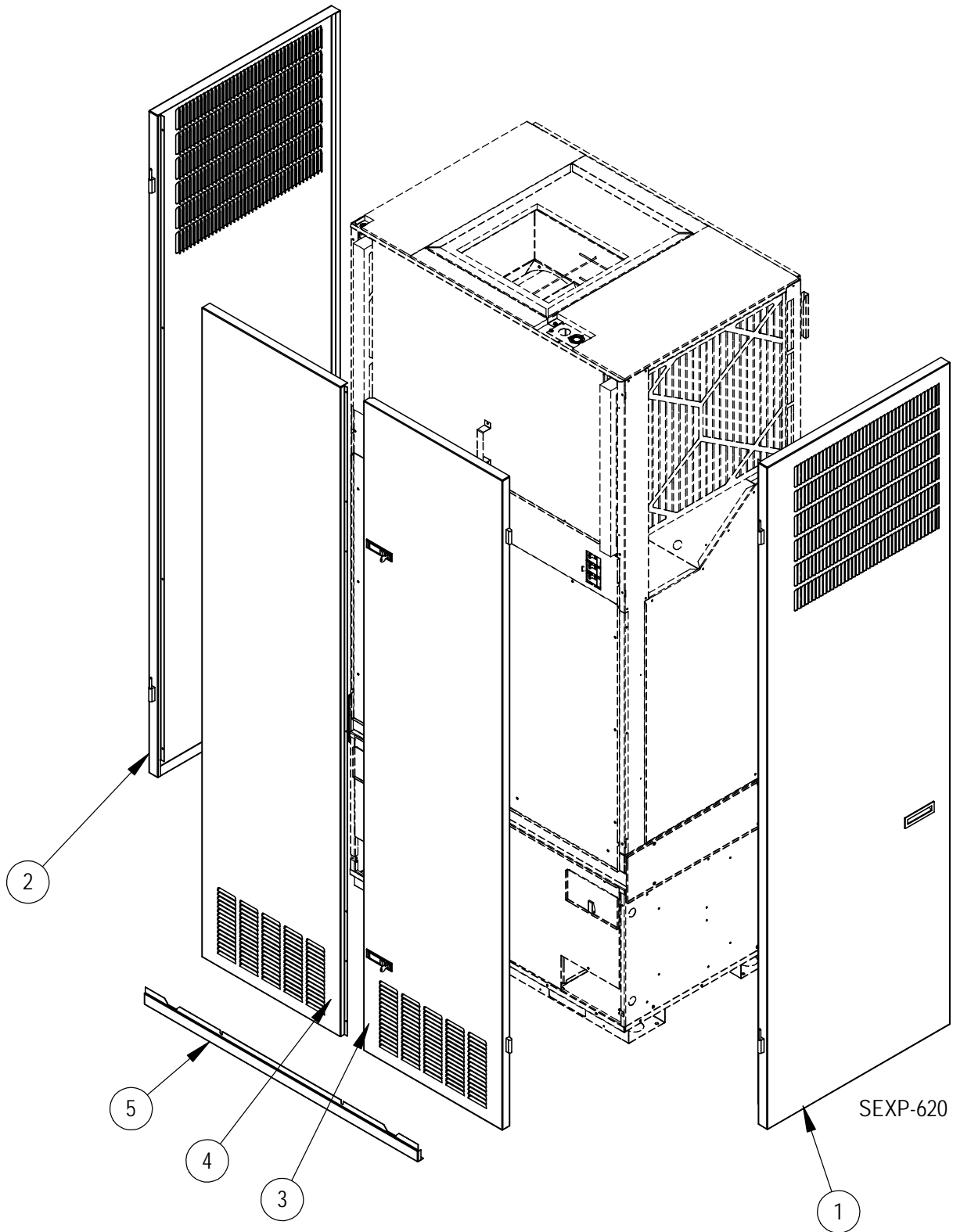


CABINET COMPONENTS

| Drawing No. | Part Number | Description | All Models |
|-------------|---------------------------|---|------------|
| 1 | S507-296 | Top Assembly | X |
| 2 | See Heater Pkg. Section | Heater Package | X |
| 3 | 105-1256 | Front blower angle | X |
| 4 | 6096-001 | Indoor drain pan | X |
| 5 | S141-383 | Evap. Coil Support | X |
| 6 | 509-259-8 | Unit Back Assembly | X |
| 7 | S137-641 | Cond. Coil Top Fill | X |
| 8 | S125-065 | Fan Shroud/Venturi Assembly | X |
| 9 | 113-439 | Side Bracket | 4 |
| 10 | S149-120 | Right Rear Corner | X |
| 11 | S121-456 | Condenser Partition | X |
| 12 | S149-123 | Right Front Corner | X |
| 13 | 113-630 | Unit Connection Bracket | 2 |
| 14 | S101X635 | Right Inner Side Panel | X |
| 15 | 7001-026 | Right Hand Inlet Duct (used on CRV & ERV units only) | X |
| 17 | S127-522 | Condenser Base Assembly | X |
| 18 | S921-0003 | Exhaust Duct Assembly | X |
| 19 | 6096-009 | Outdoor Drain Pan | X |
| 20 | 126-417 | Compressor Mounting Base | X |
| 21 | 113-595 | 460V trans. Mtg brkt. (I36-42-48) | X |
| | 113-449 | 460V trans. Mtg brkt. (I60 Only) | X |
| 22 | See Vent Section | Vent Option | X |
| 23 | 511-177 | Intake Duct Assembly (used on CRV and ERV units only) | X |
| 24 | S141-391 | Condenser Coil Access Door | X |
| 25 | S141X390 | Lower Right Condenser Coil Support | X |
| 26 | S141X389 | Upper Right Condenser Coil Support | X |
| 27 | 165-603 | High Voltage Wire Channel | X |
| 28 | 143-202 | High Voltage Wire Channel Cover | X |
| 29 | S141Y390 | Lower Left Condenser Coil Support | X |
| 30 | S141Y389 | Upper Left Condenser Coil Support | X |
| 31 | S113-440 | Dual Service Port Bracket | X |
| 32 | S553-498 | Condenser Door | X |
| 33 | 113-441 | Door Latch Bracket | X |
| 34 | S553-496 | Evaporator Door | X |
| 35 | 153-755 | Control Panel Door (230V Units) | X |
| | 153-756 | Control Panel Door (460V Units) | X |
| 36 | See Control Panel Section | Control Panel | X |
| 37 | 103-493 | Cond. Partition Side Offset | 2 |
| 38 | S101Y635 | Left Inner Side Panel | X |
| 39 | 103-494 | Cond. Partition Rear Offset | X |
| 40 | 7001-027 | Left Hand Inlet Duct (used on CRV & ERV units only) | X |
| 41 | S149-121 | Left Front Corner | X |
| 42 | S149-122 | Left Rear Corner | X |
| NS | S113-426 | Top Mounting Bracket | X |

NS = Not Shown

PAINTED CABINET COMPONENTS



PAINTED CABINET COMPONENTS

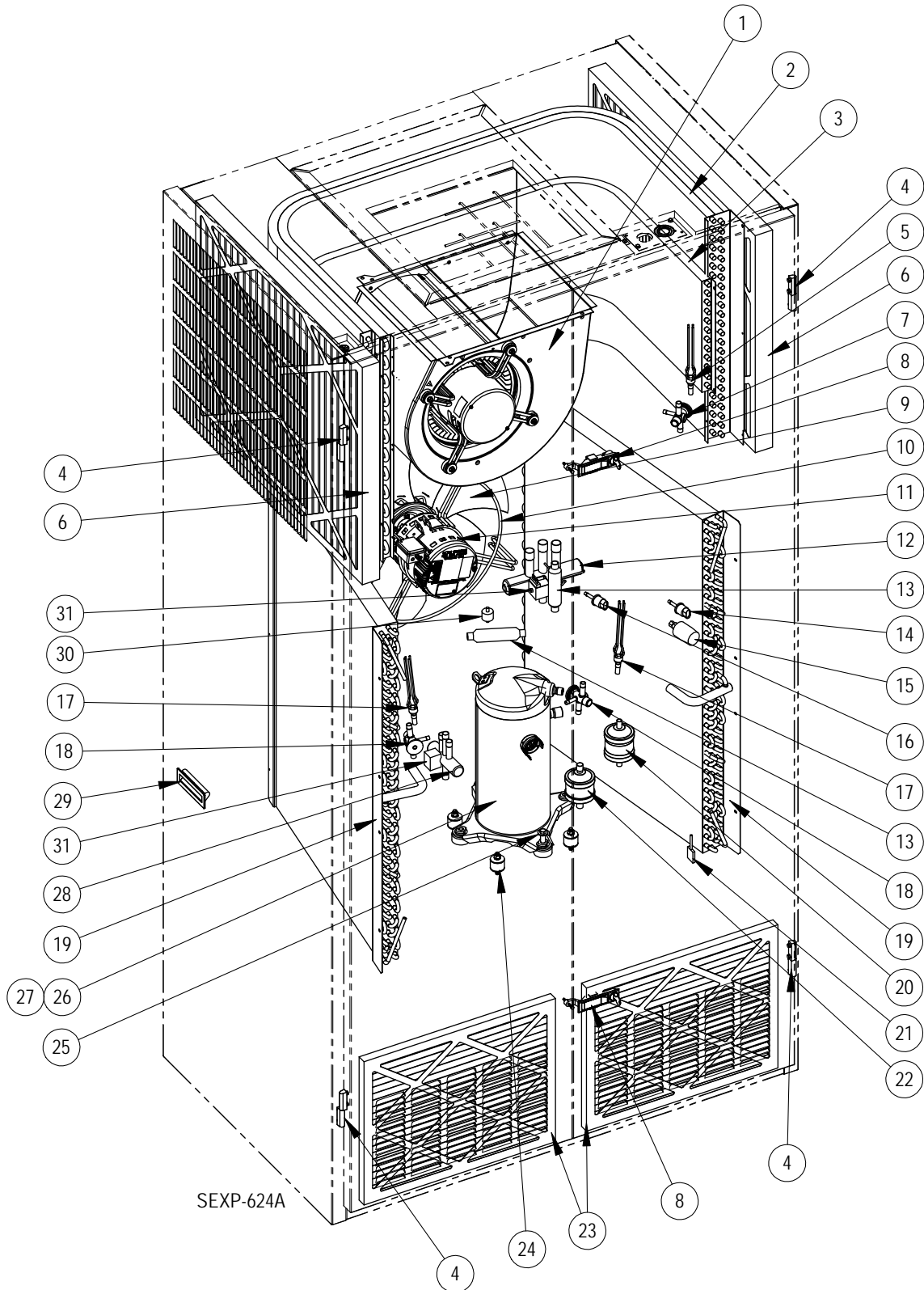
| Drawing No. | Part Number | Description | All Models |
|-------------|-------------|----------------------------|------------|
| 1 | 501-636-* | Right Side | X |
| 2 | 501-637-* | Left Side | X |
| 3 | S553-500-* | Right Front Door | X |
| 4 | S553-499-* | Left Front Door | X |
| 5 | 115-206-* | Front Unit Trim | X |
| NS | 5451-031 | Hinge Spacer (Black Nylon) | 2 |

* Exterior cabinet parts are manufactured with various paint color options. To ensure the proper paint color is received, reference the following codes:

- Beige -X
- White -1
- Buckeye Gray -4

NS = Not Shown

FUNCTIONAL COMPONENTS



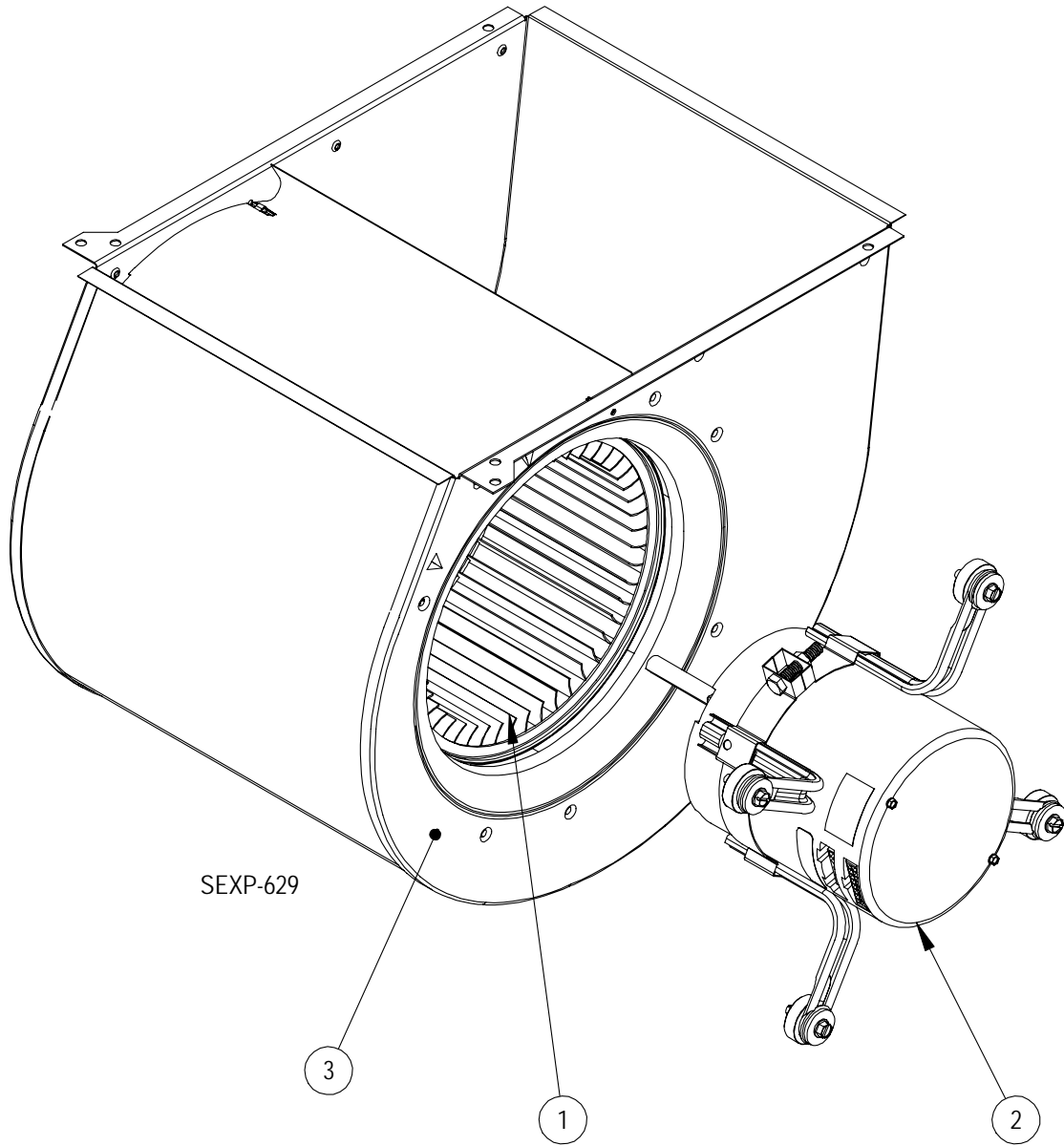
FUNCTIONAL COMPONENTS

| Drawing No. | Part Number | Description | 130H1-A | 130H1-B | 130H1-C | 130H1A | 130H1B | 130H1D | 136H1-A | 136H1-B | 136H1-C | 136H1D | 142H1-A | 142H1-B | 142H1-C | 142H1D | 148H1-A | 148H1-B | 148H1-C | 148H1D | 160H1-A | 160H1-B | 160H1-C | 160H1A | 160H1B | 160H1D | | |
|-------------|-----------------|--|---------|---------|---------|--------|--------|--------|---------|---------|---------|--------|---------|---------|---------|--------|---------|---------|---------|--------|---------|---------|---------|--------|--------|--------|--|--|
| 1 | 5154-016-0090BX | Complete Blower Assembly See Blower section for individual components | | | | | | | | | | | | | | | | | | | | | | | | | | |
| | 5154-017-0089BX | | | | | | | | | | | | | | | | | | | | | | | | | | | |
| | 5154-017-0088BX | | | | | | | | | | | | | | | | | | | | | | | | | | | |
| | 5154-017-0087BX | | | | | | | | | | | | | | | | | | | | | | | | | | | |
| | 5154-018-0081BX | | | | | | | | | | | | | | | | | | | | | | | | | | | |
| 2 | 5060-174BX | Evaporator Coil | | | | | | | | | | | | | | | | | | | | | | | | | | |
| | 5060-168BX | | | | | | | | | | | | | | | | | | | | | | | | | | | |
| | 5060-175BX | | | | | | | | | | | | | | | | | | | | | | | | | | | |
| 3 | 5051-173BX | Dehumidification Reheat Coil | | | | | | | | | | | | | | | | | | | | | | | | | | |
| | 5051-174BX | | | | | | | | | | | | | | | | | | | | | | | | | | | |
| | 5051-175BX | | | | | | | | | | | | | | | | | | | | | | | | | | | |
| 4 | 5400-006 | Polyimide Lift-Off Hinge | | | | | | | | | | | | | | | | | | | | | | | | | | |
| | 5625-014 | | | | | | | | | | | | | | | | | | | | | | | | | | | |
| | 5625-007 | | | | | | | | | | | | | | | | | | | | | | | | | | | |
| 5 | 5625-008 | Distributor | | | | | | | | | | | | | | | | | | | | | | | | | | |
| | 7004-050 | | | | | | | | | | | | | | | | | | | | | | | | | | | |
| | 7004-051 | | | | | | | | | | | | | | | | | | | | | | | | | | | |
| 6 | 7004-053 | MERV 13 Filter | | | | | | | | | | | | | | | | | | | | | | | | | | |
| | 5651-210 | | | | | | | | | | | | | | | | | | | | | | | | | | | |
| | 5651-212 | | | | | | | | | | | | | | | | | | | | | | | | | | | |
| 7 | 5651-211 | Expansion Valve | | | | | | | | | | | | | | | | | | | | | | | | | | |
| | 5651-241 | | | | | | | | | | | | | | | | | | | | | | | | | | | |
| | 1171-063 | | | | | | | | | | | | | | | | | | | | | | | | | | | |
| 8 | 1171-063 | Lockable Latch | | | | | | | | | | | | | | | | | | | | | | | | | | |
| | 5151-058 | | | | | | | | | | | | | | | | | | | | | | | | | | | |
| | 8200-045 | | | | | | | | | | | | | | | | | | | | | | | | | | | |
| 9 | 5151-058 | Fan Blade | | | | | | | | | | | | | | | | | | | | | | | | | | |
| | 8200-045 | | | | | | | | | | | | | | | | | | | | | | | | | | | |
| | S8105-058-0109 | | | | | | | | | | | | | | | | | | | | | | | | | | | |
| 10 | S8105-058-0109 | Programmed Outdoor Motor | | | | | | | | | | | | | | | | | | | | | | | | | | |
| | S8105-058-0095 | | | | | | | | | | | | | | | | | | | | | | | | | | | |
| | S8106-054-0096 | | | | | | | | | | | | | | | | | | | | | | | | | | | |
| 11 | 5650-038 | Reversing Valve | | | | | | | | | | | | | | | | | | | | | | | | | | |
| | 5650-039 | | | | | | | | | | | | | | | | | | | | | | | | | | | |
| | 5650-040 | | | | | | | | | | | | | | | | | | | | | | | | | | | |
| 12 | 5651-219 | Check Valve | | | | | | | | | | | | | | | | | | | | | | | | | | |
| | 8406-142 | | | | | | | | | | | | | | | | | | | | | | | | | | | |
| | 8406-112 | | | | | | | | | | | | | | | | | | | | | | | | | | | |
| 13 | 8406-135 | Low Pressure Switch | | | | | | | | | | | | | | | | | | | | | | | | | | |
| | 5625-013 | | | | | | | | | | | | | | | | | | | | | | | | | | | |
| | 5625-007 | | | | | | | | | | | | | | | | | | | | | | | | | | | |
| 14 | 5651-217 | Distributor | | | | | | | | | | | | | | | | | | | | | | | | | | |
| | 5651-218 | | | | | | | | | | | | | | | | | | | | | | | | | | | |
| | 5651-200 | | | | | | | | | | | | | | | | | | | | | | | | | | | |
| 15 | 5051-190BX | Condenser Coil | | | | | | | | | | | | | | | | | | | | | | | | | | |
| | 5051-189BX | | | | | | | | | | | | | | | | | | | | | | | | | | | |
| | 5051-191BX | | | | | | | | | | | | | | | | | | | | | | | | | | | |
| 16 | 5201-019 | Filter-Drier | | | | | | | | | | | | | | | | | | | | | | | | | | |
| | 5201-020 | | | | | | | | | | | | | | | | | | | | | | | | | | | |
| | | | | | | | | | | | | | | | | | | | | | | | | | | | | |

FUNCTIONAL COMPONENTS

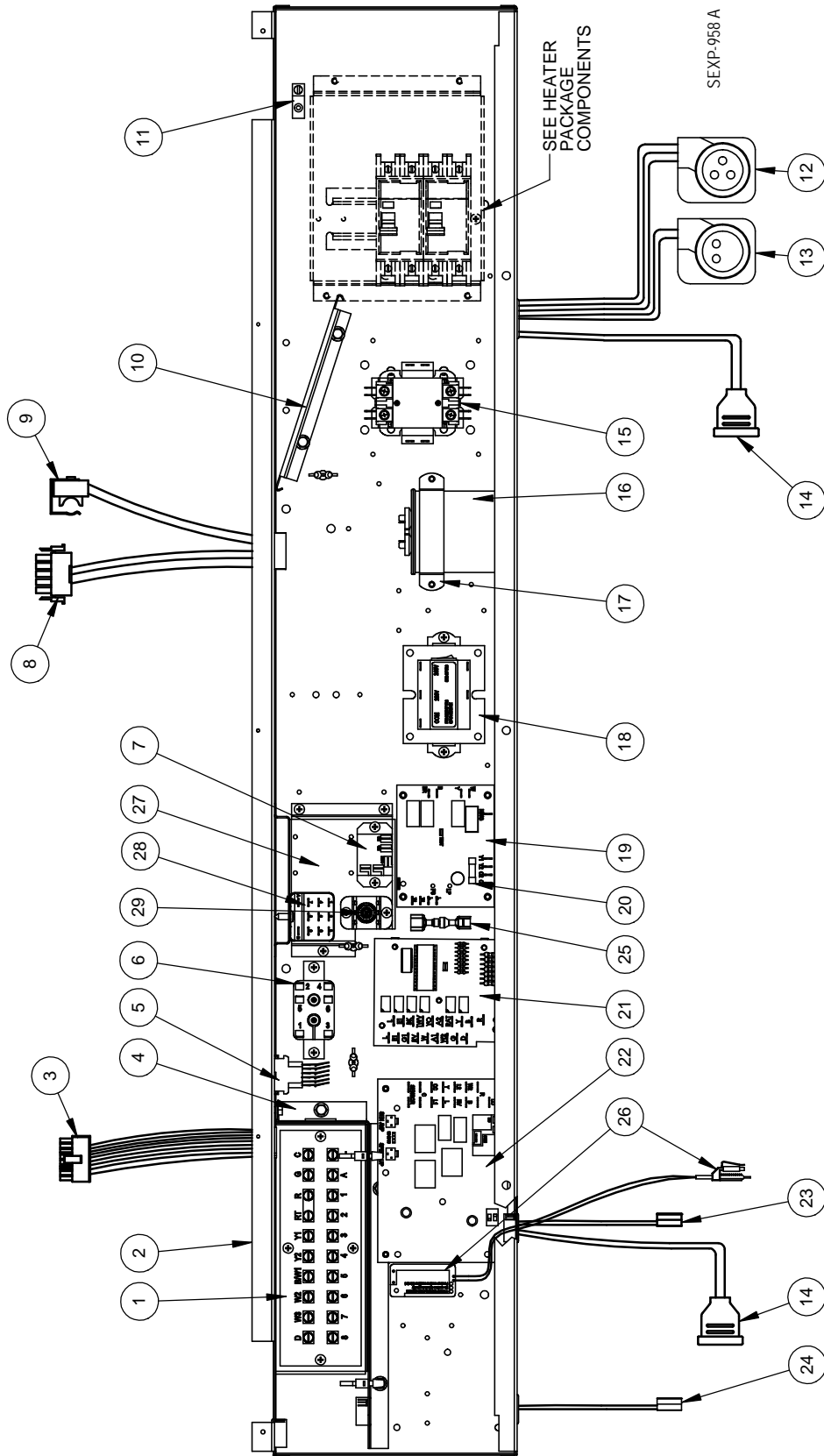
| Drawing No. | Part Number | Description | 130H1-A | 130H1-B | 130H1-C | 130H1A | 130H1B | 130H1DC | 136H1-A | 136H1-B | 136H1-C | 136H1DA | 136H1DB | 136H1DC | 142H1-A | 142H1-B | 142H1-C | 142H1DA | 142H1DB | 142H1DC | 148H1-A | 148H1-B | 148H1-C | 148H1DA | 148H1DB | 148H1DC | 160H1-A | 160H1-B | 160H1-C | 160H1DA | 160H1DB | 160H1DC | |
|-------------|-------------|------------------------------------|---------|---------|---------|--------|--------|---------|---------|---------|---------|---------|---------|---------|---------|---------|---------|---------|---------|---------|---------|---------|---------|---------|---------|---------|---------|---------|---------|---------|---------|---------|---|
| 22 | 5220-013 | Pulsation Dampener/Muffler | X | X | X | X | X | X | X | X | X | X | X | X | X | X | X | X | X | X | X | X | X | X | X | X | X | X | X | X | X | | |
| 23 | 7004-003 | Filter | 2 | 2 | 2 | 2 | 2 | 2 | 2 | 2 | 2 | 2 | 2 | 2 | 2 | 2 | 2 | 2 | 2 | 2 | 2 | 2 | 2 | 2 | 2 | 2 | 2 | 2 | 2 | 2 | 2 | | |
| 24 | 8001-013 | Compressor Grommet | 4 | 4 | 4 | 4 | 4 | 4 | 4 | 4 | 4 | 4 | 4 | 4 | 4 | 4 | 4 | 4 | 4 | 4 | 4 | 4 | 4 | 4 | 4 | 4 | 4 | 4 | 4 | 4 | 4 | | |
| 25 | 1012-328 | Compressor Bolt | 4 | 4 | 4 | 4 | 4 | 4 | 4 | 4 | 4 | 4 | 4 | 4 | 4 | 4 | 4 | 4 | 4 | 4 | 4 | 4 | 4 | 4 | 4 | 4 | 4 | 4 | 4 | 4 | 4 | | |
| | 8000-388 | | X | | | | | | | | | | | | | | | | | | | | | | | | | | | | | | |
| | 8000-389 | | | X | | | | | | | | | | | | | | | | | | | | | | | | | | | | | |
| | 8000-390 | | | | X | | | | | | | | | | | | | | | | | | | | | | | | | | | | |
| | 8000-379 | | | | | X | | | | | | | | | | | | | | | | | | | | | | | | | | | |
| | 8000-380 | | | | | | X | | | | | | | | | | | | | | | | | | | | | | | | | | |
| | 8000-381 | | | | | | | X | | | | | | | | | | | | | | | | | | | | | | | | | |
| | 8000-391 | | | | | | | | X | | | | | | | | | | | | | | | | | | | | | | | | |
| 26 | 8000-392 | Compressor | | | | | | | | X | | | | | | | | | | | | | | | | | | | | | | | |
| | 8000-393 | | | | | | | | | | X | | | | | | | | | | | | | | | | | | | | | | |
| | 8000-382 | | | | | | | | | | | X | | | | | | | | | | | | | | | | | | | | | |
| | 8000-383 | | | | | | | | | | | | | | | | | X | | | | | | | | | | | | | | | |
| | 8000-384 | | | | | | | | | | | | | | | | | | | | | | | | X | | | | | | | | |
| | 8000-424 | | | | | | | | | | | | | | | | | | | | | | | | | | | | | | | | |
| | 8000-425 | | | | | | | | | | | | | | | | | | | | | | | | | | | | | | | | |
| | 8000-426 | | | | | | | | | | | | | | | | | | | | | | | | | | | | | | | | |
| 27 | 8002-012 | Compressor Sound Cover | X | X | X | X | X | X | X | X | X | X | X | X | X | X | X | X | X | X | X | X | X | X | X | X | X | X | X | X | X | X | |
| | 8002-013 | | | | | | | | | | | | | | | | | | | | | | | | | | | | | | | | |
| 28 | 5650-051 | Dehum. Valve, 4-Pipe | | | | | | | | | | X | X | X | | | | | | | | | | | | | | | | | | | |
| 29 | 1171-060 | Flush Plastic Door Pull | 2 | 2 | 2 | 2 | 2 | 2 | 2 | 2 | 2 | 2 | 2 | 2 | 2 | 2 | 2 | 2 | 2 | 2 | 2 | 2 | 2 | 2 | 2 | 2 | 2 | 2 | 2 | 2 | 2 | 2 | |
| 30 | 5451-018 | Motor Mount Grommet | 2 | 2 | 2 | 2 | 2 | 2 | 2 | 2 | 2 | 2 | 2 | 2 | 2 | 2 | 2 | 2 | 2 | 2 | 2 | 2 | 2 | 2 | 2 | 2 | 2 | 2 | 2 | 2 | 2 | 2 | |
| 31 | 5650-046 | Rev. Valve Solenoid - Black casing | X | X | X | X | X | X | X | X | X | X | X | X | X | X | X | X | X | X | X | X | X | X | X | X | X | X | X | X | X | X | |
| NS | 6094-011 | 3/4" Barbed Drain Pan Fitting | 4 | 4 | 4 | 4 | 4 | 4 | 4 | 4 | 4 | 4 | 4 | 4 | 4 | 4 | 4 | 4 | 4 | 4 | 4 | 4 | 4 | 4 | 4 | 4 | 4 | 4 | 4 | 4 | 4 | 4 | |
| NS | 6001-016 | Nylon Barbed Tee | X | X | X | X | X | X | X | X | X | X | X | X | X | X | X | X | X | X | X | X | X | X | X | X | X | X | X | X | X | X | X |
| NS | 7950-021 | 1" Hose Clamp | 8 | 8 | 8 | 8 | 8 | 8 | 8 | 8 | 8 | 8 | 8 | 8 | 8 | 8 | 8 | 8 | 8 | 8 | 8 | 8 | 8 | 8 | 8 | 8 | 8 | 8 | 8 | 8 | 8 | 8 | |
| NS | 910-1977 | Evap Overflow Switch Ass'y | X | X | X | X | X | X | X | X | X | X | X | X | X | X | X | X | X | X | X | X | X | X | X | X | X | X | X | X | X | X | X |
| NS | 6031-009 | Coremax Valve Core | X | X | X | X | X | X | X | X | X | X | X | X | X | X | X | X | X | X | X | X | X | X | X | X | X | X | X | X | X | X | X |

BLOWER ASSEMBLY COMPONENTS



| Drawing No. | Part Number | Description | 5154-016-0090 | 5154-017-0089 | 5154-017-0088 | 5154-017-0087 | 5154-018-0081 |
|-------------|-----------------|-------------------------|---------------|---------------|---------------|---------------|---------------|
| 1 | 5152-049 | Blower Wheel | X | X | X | X | X |
| 2 | 8105-076-0090BX | 1/3 HP Programmed Motor | X | | | | |
| | 8106-072-0089BX | 1/2 HP Programmed Motor | | X | | | |
| | 8106-072-0088BX | 1/2 HP Programmed Motor | | | X | | |
| | 8106-072-0087BX | 1/2 HP Programmed Motor | | | | X | |
| | 8107-033-0081BX | 3/4 HP Programmed Motor | | | | | X |
| 3 | 151-122 | Housing | X | X | X | X | X |

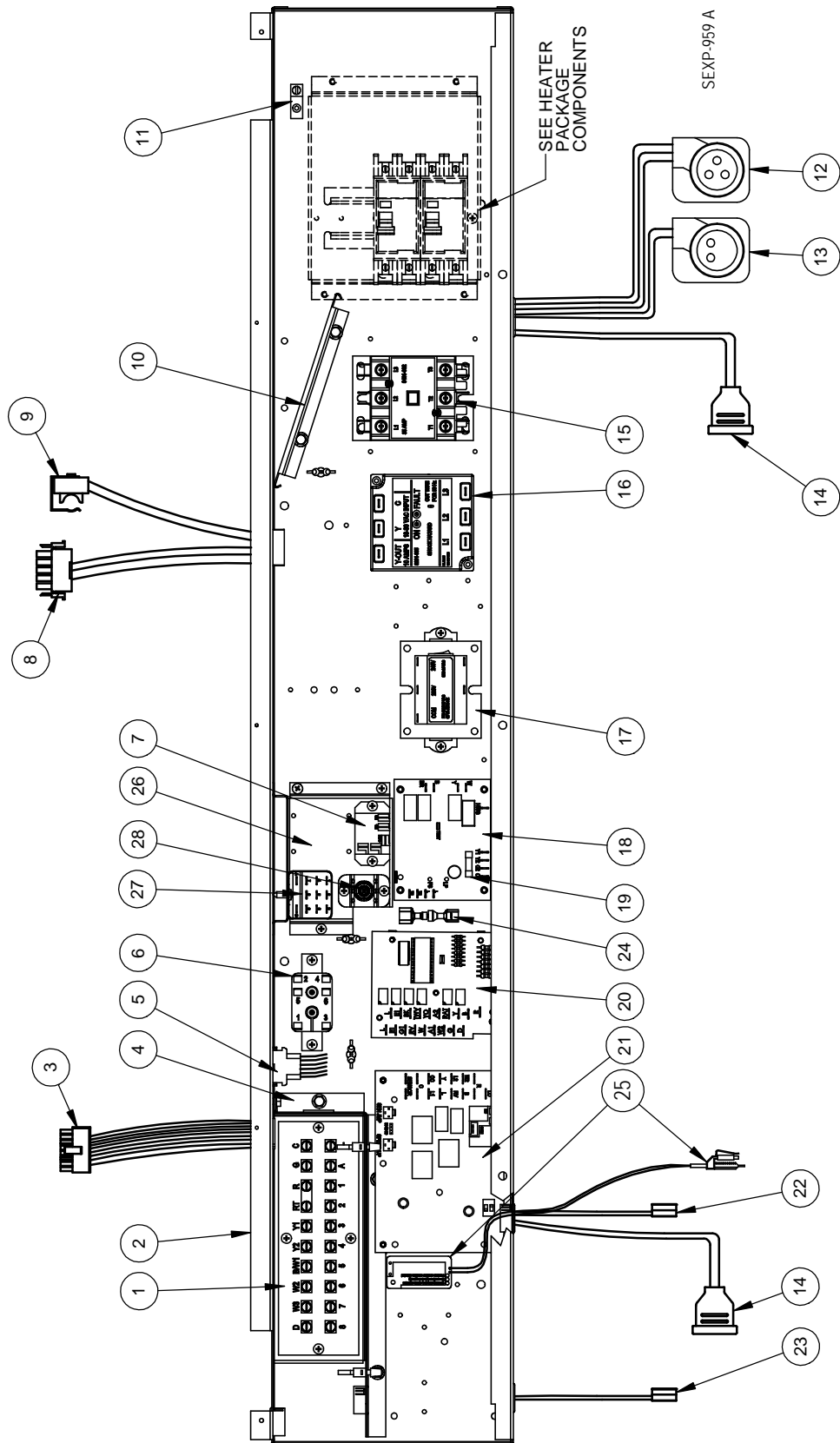
CONTROL PANEL COMPONENTS - 1 PHASE



CONTROL PANEL COMPONENTS – 1 PHASE

| Drawing No. | Part Number | Description | I30H1-A | I30H1DA | I36H1-A | I36H1DA | I42H1-A | I42H1DA | I48H1-A | I48H1DA | I60H1-A | I60H1DA |
|-------------|-------------|---|---------|---------|---------|---------|---------|---------|---------|---------|---------|---------|
| 1 | 8607-032 | Low Voltage Terminal Strip | X | X | X | X | X | X | X | X | X | X |
| 2 | 517-441 | Control Panel | X | X | X | X | X | X | X | X | X | X |
| 3 | 3000-1396 | 16 pin 24V Indoor Blower Motor Control | X | X | X | X | X | X | X | X | X | X |
| 4 | 117-319 | Low Voltage terminal box | X | X | X | X | X | X | X | X | X | X |
| 5 | 3000-1397 | 6 Pin Elect. Heat | X | X | X | X | X | X | X | X | X | X |
| 6 | 8201-015 | Relay | X | X | X | X | X | X | X | X | X | X |
| 7 | 8201-130 | Relay | | X | | X | | X | | X | | X |
| 8 | 3000-1398 | 5 Pin Indoor Blower Motor Power | X | X | X | X | X | X | X | X | X | X |
| 9 | 8408-048 | Freeze protect thermostat | X | X | X | X | X | X | X | X | X | X |
| 10 | 135-417 | Wire Shield | X | X | X | X | X | X | X | X | X | X |
| 11 | 8611-006 | Ground Terminal | X | X | X | X | X | X | X | X | X | X |
| 12 | 3000-1222 | Compressor Power Plug | X | X | X | X | X | X | X | X | X | X |
| 13 | 3000-1223 | Compressor Solenoid Plug | X | X | X | X | X | X | X | X | X | X |
| 14 | 5650-044 | Solenoid Valve plug | X | 2 | X | 2 | X | 2 | X | 2 | X | 2 |
| 15 | 8401-025 | Contactora 2 Pole 40 Amp | X | X | X | X | X | X | X | X | X | X |
| 16 | 8552-035 | Capacitor 40MFD 370V | X | X | X | X | | | | | | |
| | 8552-043 | Capacitor 45MFD 370V | | | | | X | X | | | | |
| | 8552-095 | Capacitor 30MFD 370V | | | | | | | X | X | | |
| | 8552-096 | Capacitor 40MFD 440V | | | | | | | | | X | X |
| 17 | 8550-007 | Capacitor Bracket 2" Round | X | X | X | X | | | | | X | X |
| | 8550-008 | Capacitor Bracket 2-1/2" Round | | | | | X | X | | | | |
| | 8550-006 | Capacitor Bracket 1-3/4" Round | | | | | | | X | X | | |
| 18 | 8407-048 | Transformer 75VA with Circuit Breaker | X | X | X | X | X | X | X | X | X | X |
| 19 | 8201-166 | Fan Logic Control | X | X | X | X | X | X | X | X | X | X |
| 20 | 8614-052 | 3.15 Amp Fuse | X | X | X | X | X | X | X | X | X | X |
| 21 | 8201-113 | Dehum Logic Board | | X | | X | | X | | X | | X |
| 22 | 8620-223 | Defrost Control Board Kit (includes new sensor) | X | X | X | X | X | X | X | X | X | X |
| 23 | 8620-225 | Defrost Sensor Kit | X | X | X | X | X | X | X | X | X | X |
| 24 | 8408-040 | Fan Control Thermistor | X | X | X | X | X | X | X | X | X | X |
| 25 | 910-1816 | Fan Control Resistor (Optional) | X | X | X | X | X | X | X | X | X | X |
| 26 | 910-1936 | Overflow Switch Assembly | X | X | X | X | X | X | X | X | X | X |
| 27 | 113-804 | Overflow Relay Bracket | X | X | X | X | X | X | X | X | X | X |
| 28 | 8201-048 | Overflow Relay | X | X | X | X | X | X | X | X | X | X |
| 29 | 8611-094 | Indicator Light | X | X | X | X | X | X | X | X | X | X |

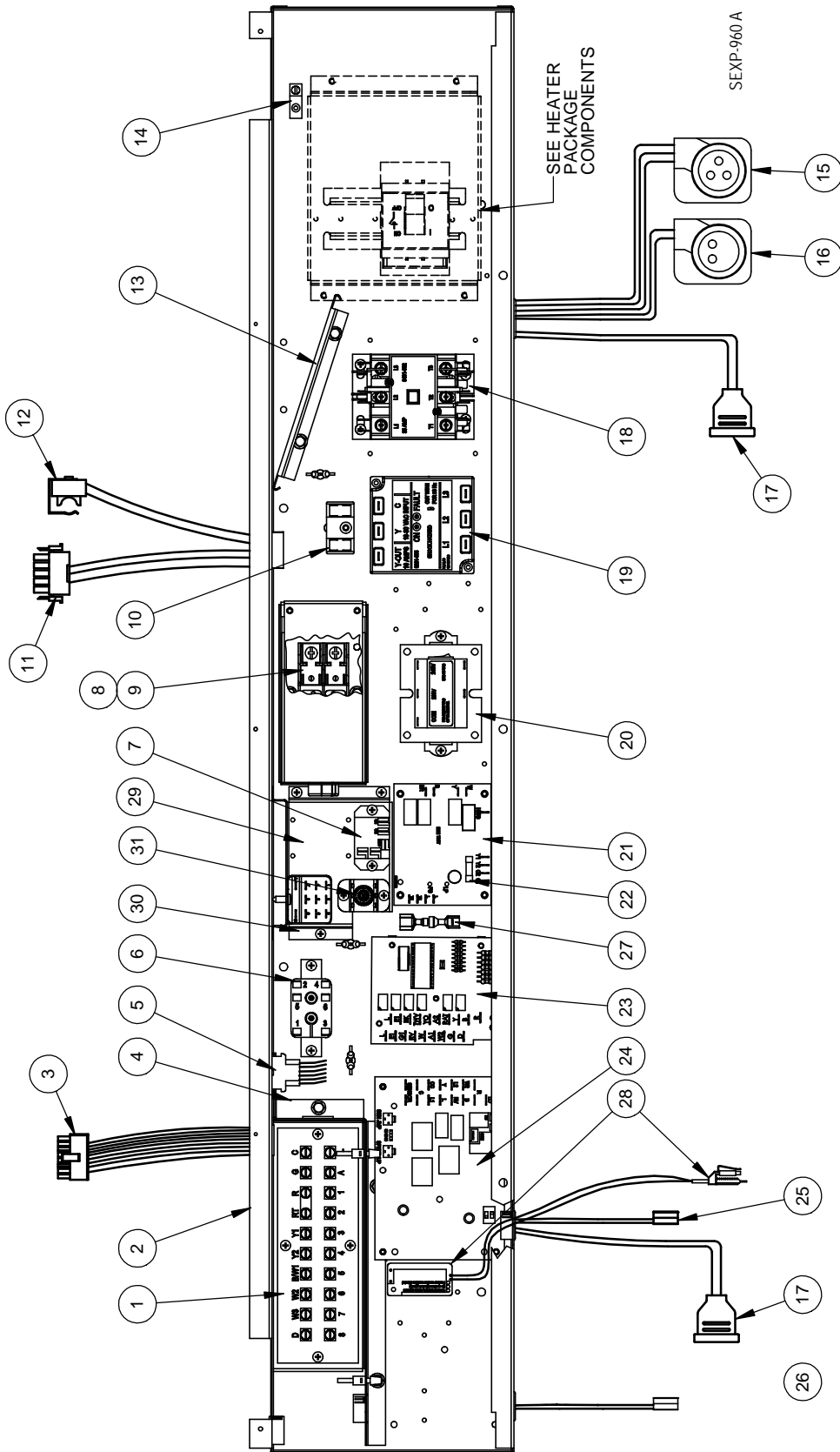
CONTROL PANEL COMPONENTS - 3 PHASE



CONTROL PANEL COMPONENTS - 3 PHASE

| Drawing No. | Part Number | Description | I30H1-B | I30H1DB | I36H1-B | I36H1DB | I42H1-B | I42H1DB | I48H1-B | I48H1DB | I60H1-B | I60H1DB |
|-------------|-------------|---|---------|---------|---------|---------|---------|---------|---------|---------|---------|---------|
| 1 | 8607-032 | Low Voltage Terminal Strip | X | X | X | X | X | X | X | X | X | X |
| 2 | 517-441 | Control Panel | X | X | X | X | X | X | X | X | X | X |
| 3 | 3000-1396 | 16 pin 24V Indoor Blower Motor Control | X | X | X | X | X | X | X | X | X | X |
| 4 | 117-319 | Low Voltage Terminal Box | X | X | X | X | X | X | X | X | X | X |
| 5 | 3000-1397 | 6 Pin Elect. Heat | X | X | X | X | X | X | X | X | X | X |
| 6 | 8201-015 | Relay | X | X | X | X | X | X | X | X | X | X |
| 7 | 8201-130 | Relay | | X | | X | | X | | X | | X |
| 8 | 3000-1398 | 5 Pin Indoor Blower Motor Power | X | X | X | X | X | X | X | X | X | X |
| 9 | 8408-048 | Freeze Protect Thermostat | X | X | X | X | X | X | X | X | X | X |
| 10 | 135-417 | Wire Shield | X | X | X | X | X | X | X | X | X | X |
| 11 | 8611-006 | Ground Terminal | X | X | X | X | X | X | X | X | X | X |
| 12 | 3000-1231 | Compressor Power Plug | X | X | X | X | X | X | X | X | X | X |
| 13 | 3000-1223 | Compressor Solenoid Plug | X | X | X | X | X | X | X | X | X | X |
| 14 | 5650-044 | Solenoid Valve Plug | X | 2 | X | 2 | X | 2 | X | 2 | X | 2 |
| 15 | 8401-002 | Contactor 3 Pole 25 Amp | X | X | X | X | X | X | X | X | X | X |
| 16 | 8201-126 | 3-PH Line Monitor | X | X | X | X | X | X | X | X | X | X |
| 17 | 8407-048 | Transformer 75VA with Circuit Breaker | X | X | X | X | X | X | X | X | X | X |
| 18 | 8201-166 | Fan Logic Control | X | X | X | X | X | X | X | X | X | X |
| 19 | 8614-052 | 3.15 Amp Fuse | X | X | X | X | X | X | X | X | X | X |
| 20 | 8201-113 | Dehum Logic Board | | X | | X | | X | | X | | X |
| 21 | 8620-223 | Defrost Control Board Kit (includes new sensor) | X | X | X | X | X | X | X | X | X | X |
| 22 | 8620-225 | Defrost Sensor Kit | X | X | X | X | X | X | X | X | X | X |
| 23 | 8408-040 | Fan Control Thermistor | X | X | X | X | X | X | X | X | X | X |
| 24 | S910-1816 | Fan Control Resistor (Optional) | X | X | X | X | X | X | X | X | X | X |
| 25 | 910-1936 | Overflow Switch Assembly | X | X | X | X | X | X | X | X | X | X |
| 26 | 113-804 | Overflow Relay Bracket | X | X | X | X | X | X | X | X | X | X |
| 27 | 8201-048 | Overflow Relay | X | X | X | X | X | X | X | X | X | X |
| 28 | 8611-094 | Indicator Light | X | X | X | X | X | X | X | X | X | X |

CONTROL PANEL COMPONENTS - 460V 3 PHASE

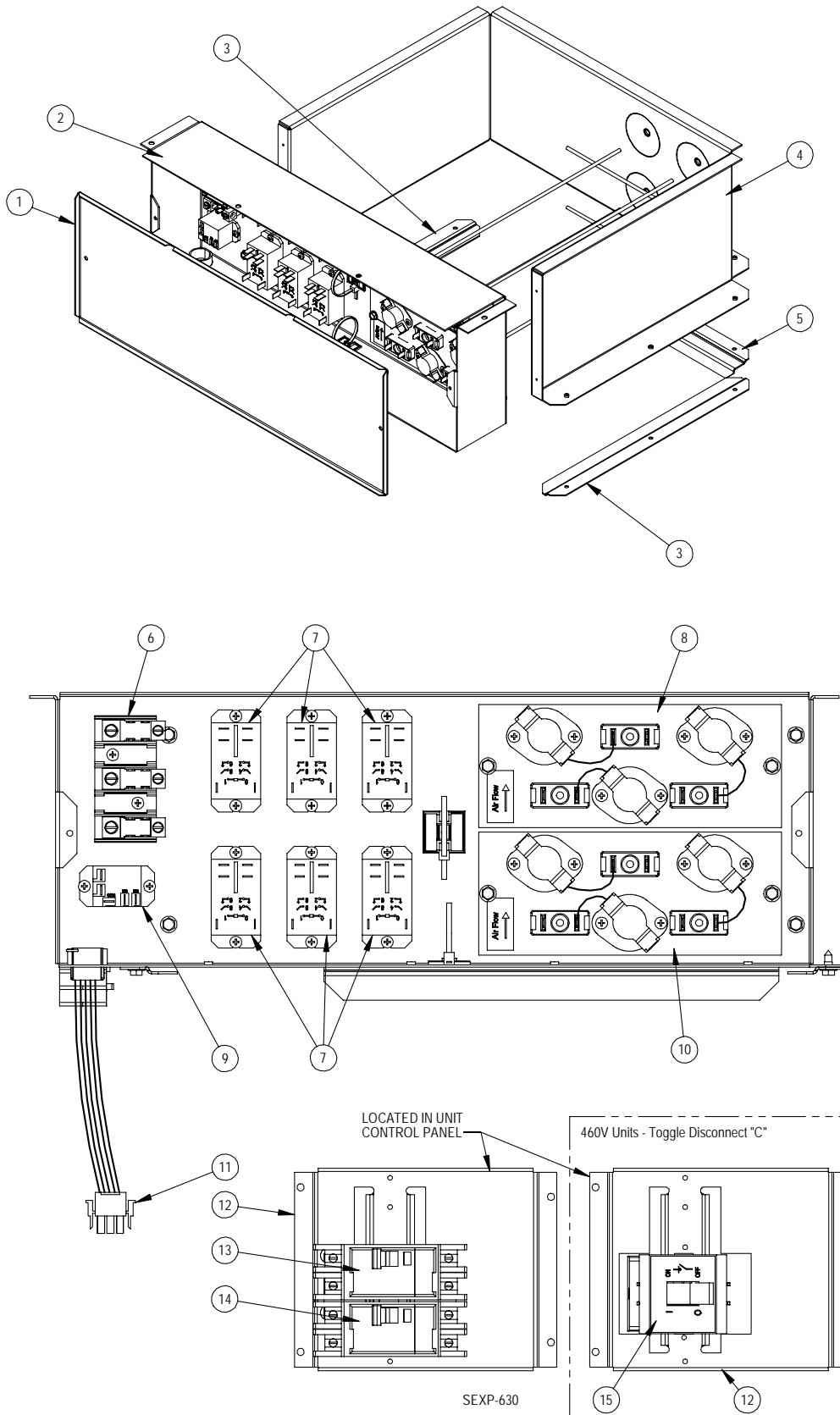


CONTROL PANEL COMPONENTS – 460V 3 PHASE

| Drawing No. | Part Number | Description | I30H1-C | I30H1DC | I36H1-C | I36H1DC | I42H1-C | I42H1DC | I48H1-C | I48H1DC | I60H1-C | I60H1DC |
|-------------|---|---|---------|---------|---------|---------|---------|---------|---------|---------|---------|---------|
| 1 | 8607-032 | Low Voltage Terminal Strip | X | X | X | X | X | X | X | X | X | X |
| 2 | 517-441 | Control Panel | X | X | X | X | X | X | X | X | X | X |
| 3 | 3000-1396 | 16 pin 24V Indoor Blower Motor Control | X | X | X | X | X | X | X | X | X | X |
| 4 | 117-319 | Low Voltage Terminal Box | X | X | X | X | X | X | X | X | X | X |
| 5 | 3000-1397 | 6 Pin Elect. Heat | X | X | X | X | X | X | X | X | X | X |
| 6 | 8201-015 | Relay | X | X | X | X | X | X | X | X | X | X |
| 7 | 8201-130 | Relay | | X | | X | | X | | X | | X |
| 8 | 8614-041 | Fuse Block | X | X | X | X | X | X | X | X | X | X |
| 9 | <i>See separate chart below for Item #9</i> | | | | | | | | | | | |
| 10 | 8607-017 | Terminal Block | X | X | X | X | X | X | X | X | X | X |
| 11 | 3000-1398 | 5 Pin Indoor Blower Motor Power | X | X | X | X | X | X | X | X | X | X |
| 12 | 8408-048 | Freeze Protect Thermostat | X | X | X | X | X | X | X | X | X | X |
| 13 | 135-417 | Wire Shield | X | X | X | X | X | X | X | X | X | X |
| 14 | 8611-006 | Ground Terminal | X | X | X | X | X | X | X | X | X | X |
| 15 | 3000-1231 | Compressor Power Plug | X | X | X | X | X | X | X | X | X | X |
| 16 | 3000-1223 | Compressor Solenoid Plug | X | X | X | X | X | X | X | X | X | X |
| 17 | 5650-044 | Solenoid Valve Plug | X | 2 | X | 2 | X | 2 | X | 2 | X | 2 |
| 18 | 8401-002 | Contactora 3 Pole 25 Amp | X | X | X | X | X | X | X | X | X | X |
| 19 | 8201-126 | 3-PH Line Monitor | X | X | X | X | X | X | X | X | X | X |
| 20 | 8407-048 | Transformer 75VA with Circuit Breaker | X | X | X | X | X | X | X | X | X | X |
| 21 | 8201-166 | Fan Logic Control | X | X | X | X | X | X | X | X | X | X |
| 22 | 8614-052 | 3.15 Amp Fuse | X | X | X | X | X | X | X | X | X | X |
| 23 | 8201-113 | Dehum Logic Board | | X | | X | | X | | X | | X |
| 24 | 8620-223 | Defrost Control Board Kit (includes new sensor) | X | X | X | X | X | X | X | X | X | X |
| 25 | 8620-225 | Defrost Sensor Kit | X | X | X | X | X | X | X | X | X | X |
| 26 | 8408-040 | Fan Control Thermistor | X | X | X | X | X | X | X | X | X | X |
| 27 | S910-1816 | Fan Control Resistor (Optional) | X | X | X | X | X | X | X | X | X | X |
| 28 | 910-1936 | Overflow Switch Assembly | X | X | X | X | X | X | X | X | X | X |
| 29 | 113-804 | Overflow Relay Bracket | X | X | X | X | X | X | X | X | X | X |
| 30 | 8201-048 | Overflow Relay | X | X | X | X | X | X | X | X | X | X |
| 31 | 8611-094 | Indicator Light | X | X | X | X | X | X | X | X | X | X |

| | | With Vent | No Vent |
|---------|--------------------------------------|--------------------------------------|---------------------------------------|
| 9 | I30H1-C | (2) Part #8614-046 5A Class CC Fuse | (2) Part #8614-047 3.2A Class CC Fuse |
| | I30H1DC | (2) Part #8614-046 5A Class CC Fuse | (2) Part #8614-047 3.2A Class CC Fuse |
| | I36H1-C | (2) Part #8614-042 7A Class CC Fuse | (2) Part #8614-046 5A Class Fuse |
| | I36H1DC | (2) Part #8614-042 7A Class CC Fuse | (2) Part #8614-046 5A Class CC Fuse |
| | I42H1-C | (2) Part #8614-042 7A Class CC Fuse | (2) Part #8614-046 5A Class CC Fuse |
| | I42H1DC | (2) Part #8614-042 7A Class CC Fuse | (2) Part #8614-046 5A Class CC Fuse |
| | I48H1-C | (2) Part #8614-042 7A Class CC Fuse | (2) Part #8614-046 5A Class CC Fuse |
| | I48H1DC | (2) Part #8614-042 7A Class CC Fuse | (2) Part #8614-046 5A Class CC Fuse |
| | I60H1-C | (2) Part #8614-043 10A Class CC Fuse | (2) Part #8614-042 7A Class CC Fuse |
| I60H1DC | (2) Part #8614-043 10A Class CC Fuse | (2) Part #8614-042 7A Class CC Fuse | |

ELECTRIC HEATER COMPONENTS



ELECTRIC HEATER COMPONENTS

| Drawing No. | Part No. | Description | I30H1-A0Z, I30H1DA0Z | I30H1-A05, I30H1DA05 | I30H1-A10, I30H1DA10 | I36H1-A0Z, I36H1DA0Z | I36H1-A05, I36H1DA05 | I36H1-A10, I36H1DA10 | I36H1-A15, I36H1DA15 | I42H1-A0Z, I42H1DA0Z | I42H1-A05, I42H1DA05 | I42H1-A10, I42H1DA10 | I42H1-A15, I42H1DA15 | I48H1-A0Z, I48H1DA0Z | I48H1-A04, I48H1DA04 | I48H1-A05, I48H1DA05 | I48H1-A10, I48H1DA10 | I48H1-A15, I48H1DA15 | I48H1-A20, I48H1DA20 | I60H1-A0Z, I60H1DA0Z | I60H1-A05, I60H1DA05 | I60H1-A10, I60H1DA10 | I60H1-A15, I60H1DA15 | I60H1-A20, I60H1DA20 |
|-------------|----------|------------------------------------|----------------------|----------------------|----------------------|----------------------|----------------------|----------------------|----------------------|----------------------|----------------------|----------------------|----------------------|----------------------|----------------------|----------------------|----------------------|----------------------|----------------------|----------------------|----------------------|----------------------|----------------------|----------------------|
| 1 | 143-148 | Heater Box Cover | X | X | X | X | X | X | X | X | X | X | X | X | X | X | X | X | X | X | X | X | X | X |
| 2 | 117-313 | Heater Front Plate | X | X | X | X | X | X | X | X | X | X | X | X | X | X | X | X | X | X | X | X | X | X |
| 3 | 103-486 | Side Blower Offset | 2 | 2 | 2 | 2 | 2 | 2 | 2 | 2 | 2 | 2 | 2 | 2 | 2 | 2 | 2 | 2 | 2 | 2 | 2 | 2 | 2 | 2 |
| 4 | 117-307 | Heater Wrapper | X | X | X | X | X | X | X | X | X | X | X | X | X | X | X | X | X | X | X | X | X | X |
| 5 | 103-487 | Rear Blower Angle | X | X | X | X | X | X | X | X | X | X | X | X | X | X | X | X | X | X | X | X | X | X |
| 7 | 8401-036 | Contactor 2-Pole 30A | | X | 2 | | X | 2 | 3 | | X | 2 | 2 | | X | X | 2 | 3 | 4 | | X | 2 | 3 | 4 |
| 8 | 142-159 | Heater Blank Off Plate | X | X | X | X | X | | | X | X | X | | X | X | X | X | | | X | X | X | | |
| | 8604-135 | Heat Strip 5KW | | | | | | | X | | | | X | | | | | X | | | | | X | |
| | 8604-136 | Heat Strip 10KW | | | | | | | | | | | | | | | | X | | | | | | X |
| 9 | 8201-130 | Relay | | X | X | | X | X | X | | X | X | X | | X | X | X | X | X | | X | X | X | X |
| 10 | 142-159 | Heater Blank Off Plate | X | | | X | | | | X | | | | X | | | | | | X | | | | |
| | 8604-135 | Heat Strip 5KW | | X | | | X | | | | X | | | | | X | | | | | X | | | |
| | 8604-136 | Heat Strip 10KW | | | X | | | X | X | | | X | X | | | | X | X | X | | | X | X | X |
| | 8604-134 | Heat Strip 4KW | | | | | | | | | | | | | X | X | | | | | | | | |
| 11 | 3003-097 | 6-Pin Electric Heater Wire Harness | | X | | | X | | | | X | | | | X | X | | | | | X | | | |
| | 3003-099 | 6-Pin Electric Heater Wire Harness | | | X | | | X | | | | X | | | | | | X | | | | | X | |
| | 3003-101 | 6-Pin Electric Heater Wire Harness | | | | | | | X | | | | X | | | | | | X | | | | | X |
| | 3003-108 | 6-Pin Electric Heater Wire Harness | | | | | | | | | | | | | | | | | X | | | | | X |
| 12 | 127-607 | Circuit Breaker Base | X | X | X | X | X | X | X | X | X | X | X | X | X | X | X | X | X | X | X | X | X | X |
| 13 | 8615-037 | Circuit Breaker 30A 2-Pole | | | X | | | | | | | | | | | X | | | | | X | | | |
| | 8615-041 | Circuit Breaker 60A 2-Pole | | | | | | X | X | | | X | X | | | | X | X | X | | | X | X | X |
| 14 | 8615-038 | Circuit Breaker 35A 2-Pole | X | | | | | | | | | | | | | | | | | | | | | |
| | 8615-040 | Circuit Breaker 50A 2-Pole | | X | X | | | | | | | | | X | | X | | | | | | | | |
| | 8615-055 | Circuit Breaker 40A 2-Pole | | | | X | | X | X | | | | | | | | | | | | | | | |
| | 8615-041 | Circuit Breaker 60A 2-Pole | | | | | X | | | | X | | | | X | | | | X | X | X | X | X | X |
| | 8615-039 | Circuit Breaker 45A 2-Pole | | | | | | | | | X | X | X | | | | | X | X | | | | | |

NS = Not Shown

ELECTRIC HEATER COMPONENTS

| Drawing No. | Part Number | Description | 130H1-B0Z, 130H1DB0Z | 130H1-B06, 130H1DB06 | 130H1-B09, 130H1DB09 | 136H1-B0Z, 136H1DB0Z | 136H1-B06, 136H1DB06 | 136H1-B09, 136H1DB09 | 136H1-B15, 136H1DB15 | 142H1-B0Z, 142H1DB0Z | 142H1-B06, 142H1DB06 | 142H1-B09, 142H1DB09 | 142H1-B15, 142H1DB15 | 148H1-B0Z, 148H1DB0Z | 148H1-B06, 148H1DB06 | 148H1-B09, 148H1DB09 | 148H1-B15, 148H1DB15 | 148H1-B18, 148H1DB18 | 160H1-B0Z, 160H1DB0Z | 160H1-B06, 160H1DB06 | 160H1-B09, 160H1DB09 | 160H1-B15, 160H1DB15 | 160H1-B18, 160H1DB18 | |
|-------------|-------------|-----------------------------------|----------------------|----------------------|----------------------|----------------------|----------------------|----------------------|----------------------|----------------------|----------------------|----------------------|----------------------|----------------------|----------------------|----------------------|----------------------|----------------------|----------------------|----------------------|----------------------|----------------------|----------------------|---|
| 1 | 143-148 | Heater Box Cover | X | X | X | X | X | X | X | X | X | X | X | X | X | X | X | X | X | X | X | X | X | X |
| 2 | 117-313 | Heater Front Plate | X | X | X | X | X | X | X | X | X | X | X | X | X | X | X | X | X | X | X | X | X | X |
| 3 | 103-486 | Side Blower Offset | 2 | 2 | 2 | 2 | 2 | 2 | 2 | 2 | 2 | 2 | 2 | 2 | 2 | 2 | 2 | 2 | 2 | 2 | 2 | 2 | 2 | 2 |
| 4 | 117-307 | Heater Wrapper | X | X | X | X | X | X | X | X | X | X | X | X | X | X | X | X | X | X | X | X | X | X |
| 5 | 103-487 | Rear Blower Angle | X | X | X | X | X | X | X | X | X | X | X | X | X | X | X | X | X | X | X | X | X | X |
| 6 | 8607-014 | Terminal Block | | | | | | | | | | | | | | | | X | | | | | | X |
| 7 | 8401-036 | Contacto 2-Pole 30A | | 3 | 3 | | 3 | 3 | 6 | | 3 | 3 | 6 | | 3 | 3 | 6 | 6 | | 3 | 3 | 6 | 6 | |
| 8 | 142-159 | Heater Blank Off Plate | X | X | X | X | X | X | | X | X | X | | X | X | X | | | X | X | X | | | |
| | 8604-137 | Heat Strip 6KW | | | | | | | X | | | | X | | | | X | | | | | | X | |
| | 8604-138 | Heat Strip 9KW | | | | | | | | | | | | | | | X | | | | | | | X |
| 9 | 8201-130 | Relay | | X | X | | X | X | X | | X | X | X | | X | X | X | X | X | | X | X | X | X |
| 10 | 142-159 | Heater Blank Off Plate | X | | | X | | | | X | | | | X | | | | | X | | | | | |
| | 8604-137 | Heat Strip 6KW | | X | | | X | | | | X | | | | X | | | | | X | | | | |
| | 8604-138 | Heat Strip 9KW | | | X | | | X | X | | | X | X | | | X | X | X | | | | X | X | X |
| 11 | 3003-103 | 6-Pin Electric Heater Wire Harnes | | X | X | | X | X | | | X | X | | | X | X | | | | X | X | | | |
| | 3000-105 | 6-Pin Electric Heater Wire Harnes | | | | | | | X | | | | X | | | | X | X | | | | | X | X |
| 12 | 127-607 | Circuit Breaker Base | X | X | X | | X | X | X | X | X | X | X | X | X | X | X | X | X | X | X | X | X | X |
| 13 | 8615-046 | Circuit Breaker 60A 3-Pole | | | | | | | X | | | | X | | | | X | | | | | | X | X |
| 14 | 8615-051 | Circuit Breaker 25A 3-Pole | X | | | | | | | | | | | | | | | | | | | | | |
| | 8615-042 | Circuit Breaker 35A 3-Pole | | X | | | | | | X | | | | X | | | | | | | | | | |
| | 8615-052 | Circuit Breaker 30A 3-Pole | | | | X | | | | | | | | | | | | | | | | | | |
| | 8615-044 | Circuit Breaker 45A 3-Pole | | | X | | X | | X | | | | X | | | | X | | X | | | | X | X |
| | 8615-045 | Circuit Breaker 50A 3-Pole | | | | | | X | | | X | | | | X | | | | | | | | | |
| | 8615-046 | Circuit Breaker 60A 3-Pole | | | | | | | | | | X | | | | X | | X | | X | X | | | |

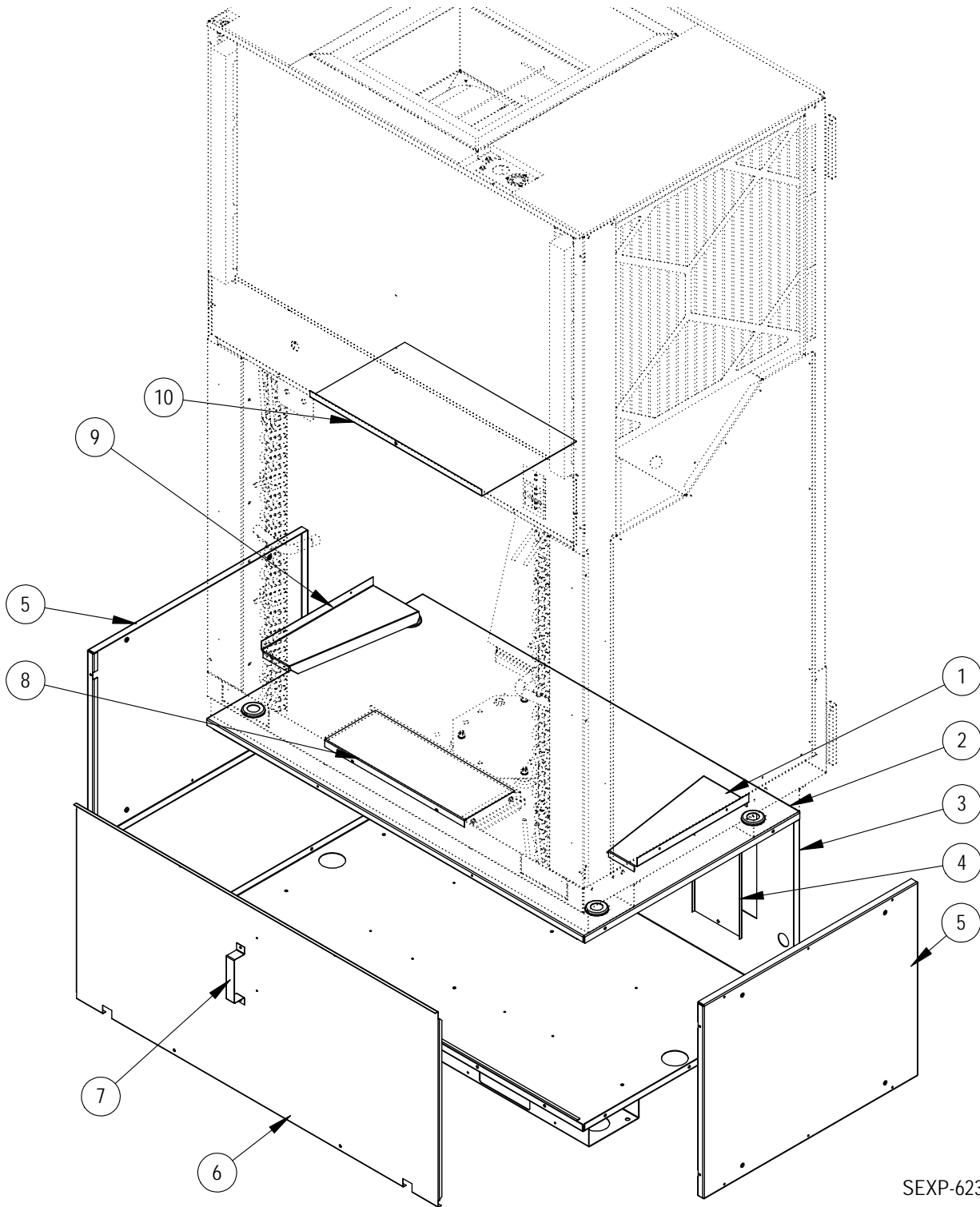
NS = Not Shown

ELECTRIC HEATER COMPONENTS

| Drawing No. | Part Number | Description | I30H1-C0Z, I30H1DC0Z | I30H1-C06, I30H1DC06 | I30H1-C09, I30H1DC09 | I36H1-C0Z, I36H1DC0Z | I36H1-C06, I36H1DC06 | I36H1-C09, I36H1DC09 | I36H1-C15, I36H1DC15 | I36H1DC15NPD114 | I42H1-C0Z, I42H1DC0Z | I42H1-C06, I42H1DC06 | I42H1-C09, I42H1DC09 | I42H1-C15, I42H1DC15 | I48H1-C0Z, I48H1DC0Z | I48H1-C06, I48H1DC06 | I48H1-C09, I48H1DC09 | I48H1-C15, I48H1DC15 | I48H1-C18, I48H1DC18 | I60H1-C0Z, I60H1DC0Z | I60H1-C06, I60H1DC06 | I60H1-C09, I60H1DC09 | I60H1-C15, I60H1DC15 | I60H1-C18, I60H1DC18 | |
|-------------|-------------|------------------------------------|----------------------|----------------------|----------------------|----------------------|----------------------|----------------------|----------------------|-----------------|----------------------|----------------------|----------------------|----------------------|----------------------|----------------------|----------------------|----------------------|----------------------|----------------------|----------------------|----------------------|----------------------|----------------------|---|
| 1 | 143-148 | Heater Box Cover | X | X | X | X | X | X | X | X | X | X | X | X | X | X | X | X | X | X | X | X | X | X | X |
| 2 | 117-313 | Heater Front Plate | X | X | X | X | X | X | X | X | X | X | X | X | X | X | X | X | X | X | X | X | X | X | X |
| 3 | 103-486 | Side Blower Offset | 2 | 2 | 2 | 2 | 2 | 2 | 2 | 2 | 2 | 2 | 2 | 2 | 2 | 2 | 2 | 2 | 2 | 2 | 2 | 2 | 2 | 2 | 2 |
| 4 | 117-307 | Heater Wrapper | X | X | X | X | X | X | X | X | X | X | X | X | X | X | X | X | X | X | X | X | X | X | X |
| 5 | 103-487 | Rear Blower Angle | X | X | X | X | X | X | X | X | X | X | X | X | X | X | X | X | X | X | X | X | X | X | X |
| 6 | 8607-014 | Terminal Block | | | | | | | X | X | | | | X | | | | X | | | | | | X | |
| 7 | 8401-036 | Contactors 2-Pole 30A | | 2 | 2 | | 2 | 2 | 6 | 6 | | 2 | 2 | 6 | | 2 | 2 | 6 | 4 | | 2 | 2 | 6 | 4 | |
| 8 | 142-159 | Heater Blank Off Plate | X | X | X | X | X | X | | | X | X | X | | X | X | X | | | X | X | X | | | |
| | 8604-139 | Heat Strip 6KW | | | | | | | X | X | | | | X | | | | X | | | | | | X | |
| | 8604-140 | Heat Strip 9KW | | | | | | | | | | | | | | | | X | | | | | | | X |
| 9 | 8201-130 | Relay | | X | X | | X | X | X | X | | X | X | X | | X | X | X | X | | X | X | X | X | X |
| 10 | 142-159 | Heater Blank Off Plate | X | | | X | | | | | X | | | | X | | | | | X | | | | | |
| | 8604-139 | Heat Strip 6KW | | X | | | X | | | | | X | | | X | | | | | | X | | | | |
| | 8604-140 | Heat Strip 9KW | | | X | | | X | X | X | | | X | X | | | X | X | X | | | | X | X | X |
| 11 | 3003-099 | 6-Pin Electric Heater Wire Harness | | X | X | | X | X | | | | X | X | | | X | X | | | | X | X | | | |
| | 3003-108 | 6-Pin Electric Heater Wire Harness | | | | | | | X | X | | | | X | | | | X | X | | | | | X | X |
| 12 | 127-418 | Disconnect Base | X | X | X | X | X | X | X | X | X | X | X | X | X | X | X | X | X | X | X | X | X | X | X |
| 15 | 8615-095 | Toggle Disconnect 40A 460V | X | X | X | X | X | X | | | X | X | X | X | X | X | X | X | X | X | X | X | X | X | X |
| 15 | 8615-077 | Circuit Breaker, 30A, 3-Pole, 460V | | | | | | | X | | | | | | | | | | | | | | | | |
| NS | 8615-069 | Toggle Disconnect Cover Plate | X | X | X | X | X | X | | | X | X | X | X | X | X | X | X | X | X | X | X | X | X | X |

NS = Not Shown

VENT BOX (ONLY) COMPONENTS

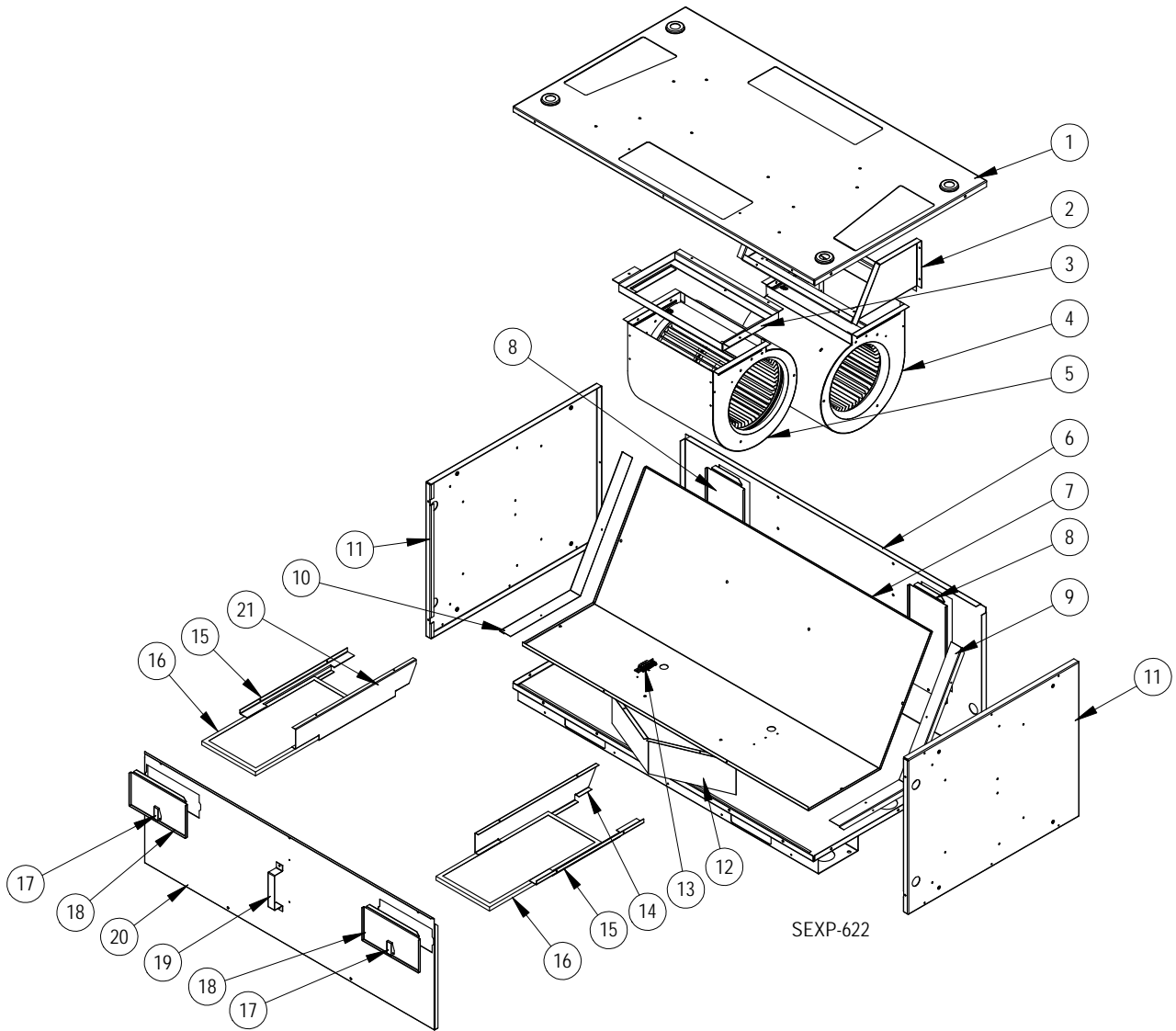


SEXP-623

VENT BOX (ONLY) COMPONENTS

| Drawing No. | Part Number | Description | Vent Box Only |
|--------------------|--------------------|------------------------|----------------------|
| 1 | S143X164 | Right Side Intake Fill | X |
| 2 | 507-298 | Vent Box Top | X |
| 3 | S527-419 | Vent Box Base | X |
| 4 | 543-158 | Drain Access Plate | 2 |
| 5 | S501-639 | Vent Box Side | 2 |
| 6 | 553-508 | Vent Box Door | X |
| 7 | 113-441 | Door Latch Bracket | X |
| 8 | S143-160 | Lower Intake Fill | X |
| 9 | S143Y164 | Left Side Intake Fill | X |
| 10 | S143-161 | Upper Intake Fill | X |

CRV COMPONENTS

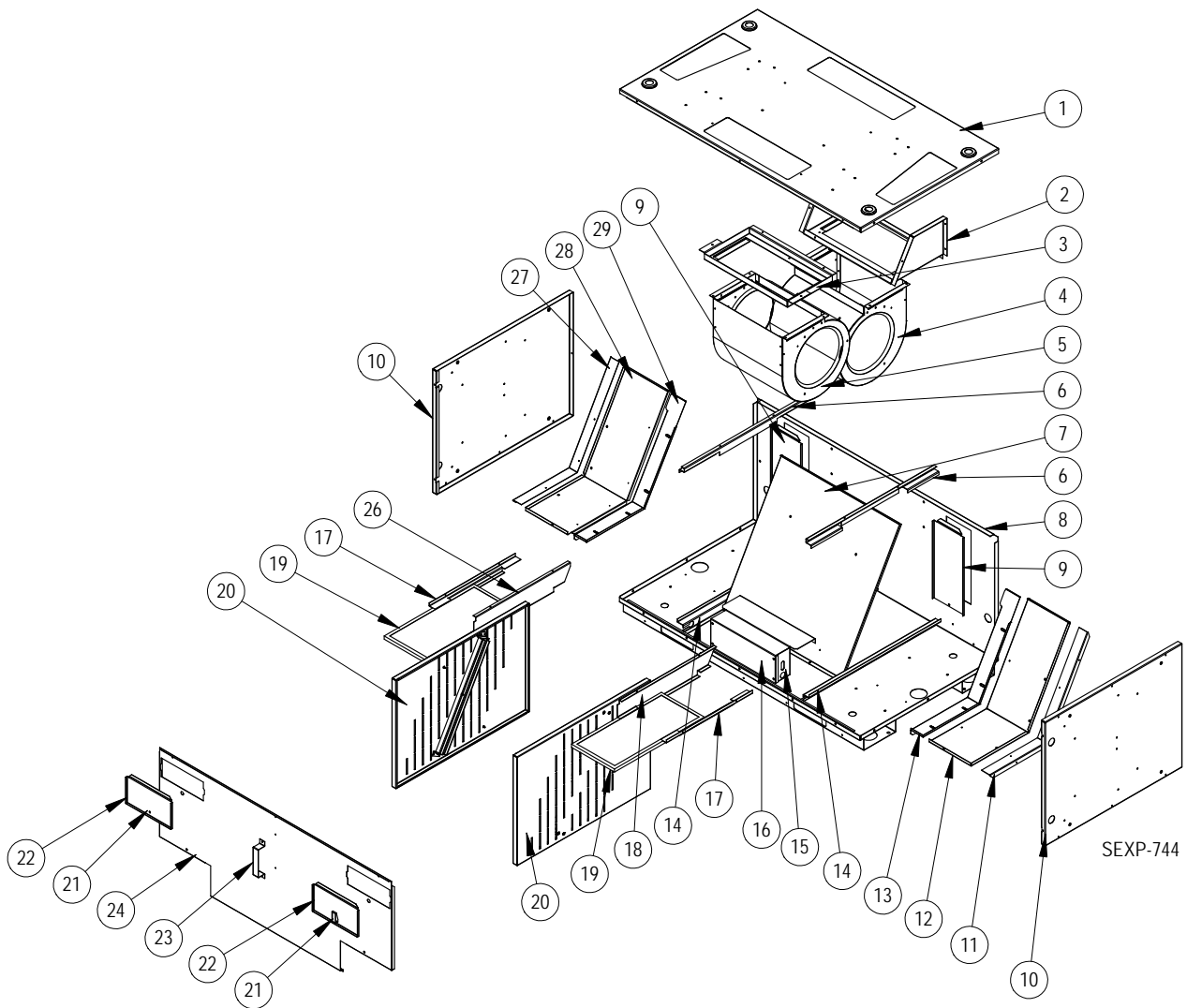


CRV COMPONENTS

| Drawing No. | Part Number | Description | CRV 920-0012 | |
|-------------|-------------|--|--------------|----------|
| | | | ERV/ECON | 920-0196 |
| 1 | S507-297 | Vent Box Top | X | X |
| 2 | 103-489 | Rear Blower Offset | X | X |
| 3 | 103-488 | Front Blower Offset | X | X |
| 4 | 900-318-001 | Exhaust Blower Assembly | X | |
| 4 | 900-318-005 | Exhaust Blower Assembly | | X |
| 5 | 900-318-002 | Intake Blower Assembly | X | |
| 5 | 900-316-006 | Intake Blower Assembly | | X |
| 6 | S527-419 | Vent Box Base | X | X |
| 7 | 521-459 | Partition | X | X |
| 8 | 543-158 | Drain Access Plate | 2 | 2 |
| 9 | 505X1260 | Right Partition Angle | X | X |
| 10 | 505Y1260 | Left Partition Angle | X | X |
| 11 | S501-638 | Vent Box Side | 2 | 2 |
| 12 | 569-179 | Baffle | X | X |
| 13 | S910-1809 | Terminal Block Assembly | X | X |
| 14 | 141X382 | Right Lower Filter Bracket | X | X |
| 15 | 141-381 | Filter Angle | 2 | X |
| 16 | 7003-064 | Vent Intake Filter | 2 | 2 |
| 17 | 1171-053 | Swell Latch | 2 | 2 |
| 18 | S153-506 | Filter Door | 2 | 2 |
| 19 | 113-441 | Door Latch Bracket | X | X |
| 20 | S553-507 | Blower Door | X | X |
| 21 | 141Y382 | Left Lower Filter Bracket | X | X |
| NS | 3000-1403 | Intake/Exhaust Power Plug | X | X |
| NS | 3000-1404 | Intake/Exhaust Speed Plug | 2 | |
| NS | 3000-1445 | Intake/Exhaust Speed Plug | | X |
| NS | 3000-1406 | Vent Section Plug | X | |
| NS | 3000-1446 | Vent Section Plug | | X |
| NS | 3000-1411 | Unit Control Panel Plug | X | |
| NS | 3000-1447 | Unit Control Panel Plug | | X |
| NS | 8201-062 | Relay (in unit control panel) | X | |
| NS | 8201-130 | Relay, SPDT (in unit control panel) | | 3 |
| NS | 8201-071 | Relay, 3PDT (in unit control panel) | | X |
| NS | 8408-047 | Outdoor Thermostat (beside outdoor coil) | | X |

NS = Not Shown

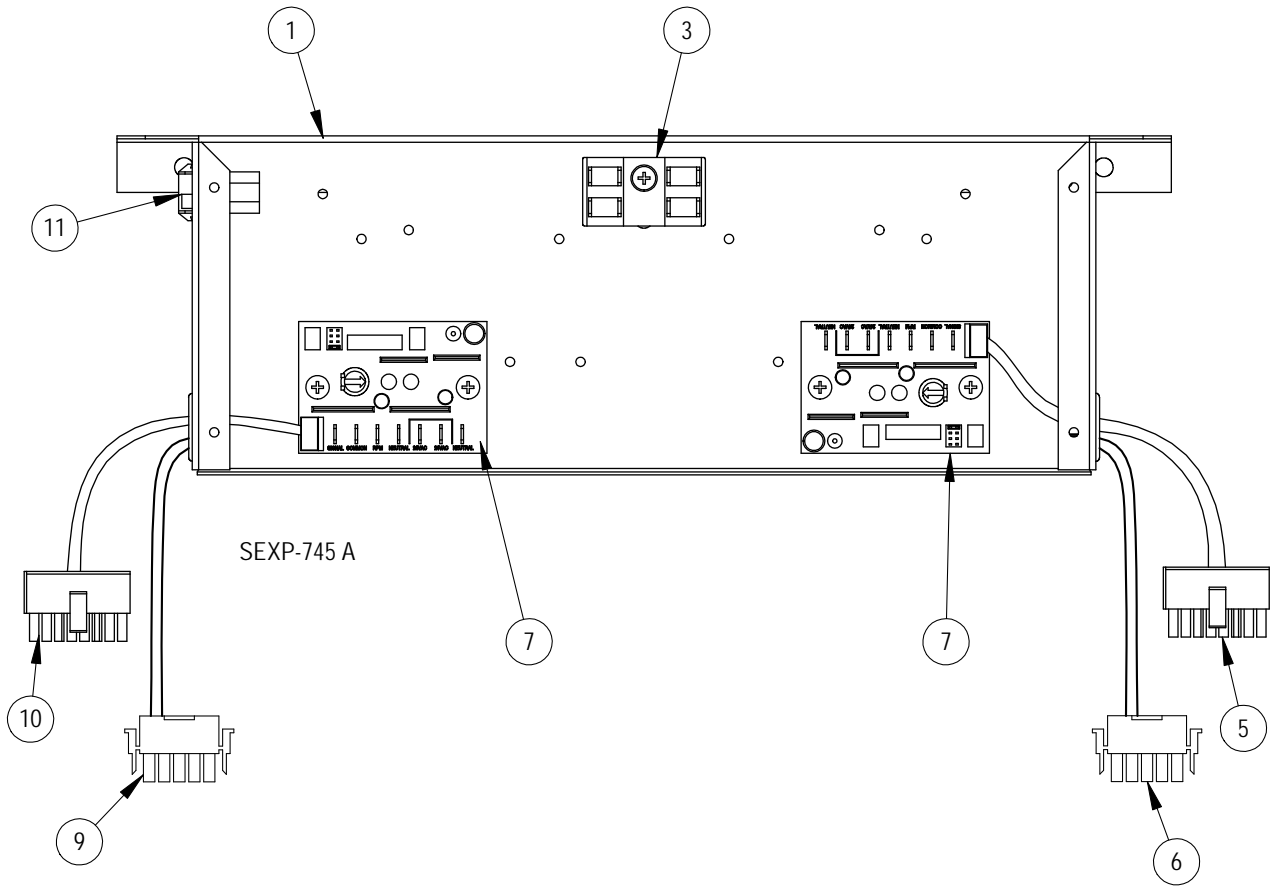
MODULATING CRV COMPONENTS



MODULATING CRV COMPONENTS

| Drawing No. | Part Number | Description | Modulating CRV |
|-------------|---------------|----------------------------|----------------|
| 1 | S507-297 | Vent Box Top | X |
| 2 | 103-489 | Rear Blower Offset | X |
| 3 | 103-488 | Front Blower Offset | X |
| 4 | 900-319-003 | Exhaust Blower Assembly | X |
| 5 | 900-319-004 | Intake Blower Assembly | X |
| 6 | 141-379 | Cassette Upper Rail | 2 |
| 7 | 521-457 | Partition | X |
| 8 | S527-419 | Vent Box Base | X |
| 9 | 543-158 | Drain Access Plate | 2 |
| 10 | S501-638 | Vent Box Side | 2 |
| 11 | 505X1260 | Right Partition Angle | X |
| 12 | 521-464 | Right Side Partition | X |
| 13 | S105X1258 | Right Cassette Seal Angle | X |
| 14 | 141-380 | Cassette Lower Rail | 2 |
| 15 | Control Panel | See Control Panel section | x |
| 16 | 153-511 | Control Panel Cover | X |
| 17 | 141-381 | Filter Angle | 2 |
| 18 | 141X382 | Right Lower Filter Bracket | X |
| 19 | 7003-064 | Vent Intake Filter | 2 |
| 20 | 139-332 | Restrictor Plate | 2 |
| 21 | 1171-053 | Swell Latch | 2 |
| 22 | S153-506 | Filter Door | 2 |
| 23 | 113-441 | Door Latch Bracket | X |
| 24 | S553-505 | Cassette Door | X |
| 26 | 141Y382 | Left Lower Filter Bracket | X |
| 27 | 105Y1260 | Left Partition Angle | X |
| 28 | 521-465 | Left Side Partition | X |
| 29 | S105Y1258 | Left Cassette Seal Angle | X |

MODULATING CRV CONTROL PANEL COMPONENTS

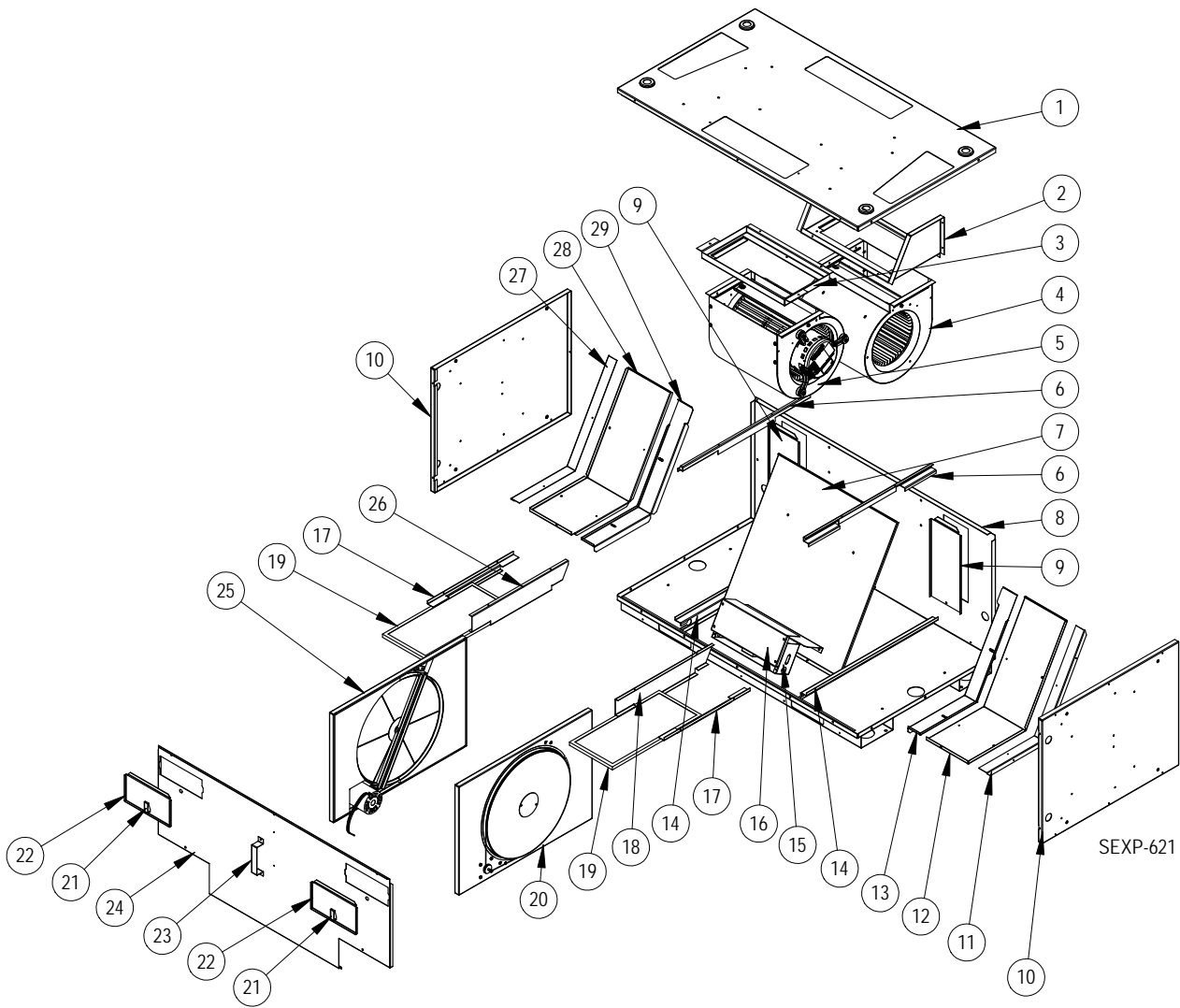


MODULATING CRV CONTROL PANEL COMPONENTS

| Drawing No. | Part Number | Description | Modulating CRV Control Panel |
|-------------|-------------|-------------------------------|------------------------------|
| 1 | 117-323 | Control Panel | X |
| 3 | 8607-017 | Terminal Block | X |
| 5 | 3000-1358 | Intake Speed Plug | X |
| 6 | 3000-1331 | Intake Plover Plug | X |
| 7 | 8201-124 | Blower Control Board | 2 |
| 9 | 3000-1356 | Exhaust Power Plug | X |
| 10 | 3000-1407 | Exhaust Speed Plug | X |
| 11 | 3000-1409 | Vent Section Plug | X |
| NS | 3000-1408 | Extension Plug | X |
| NS | 3000-1405 | Unit Control Panel Plug | X |
| NS | 8201-013 | Relay (in unit Control Panel) | X |

NS = Not Shown

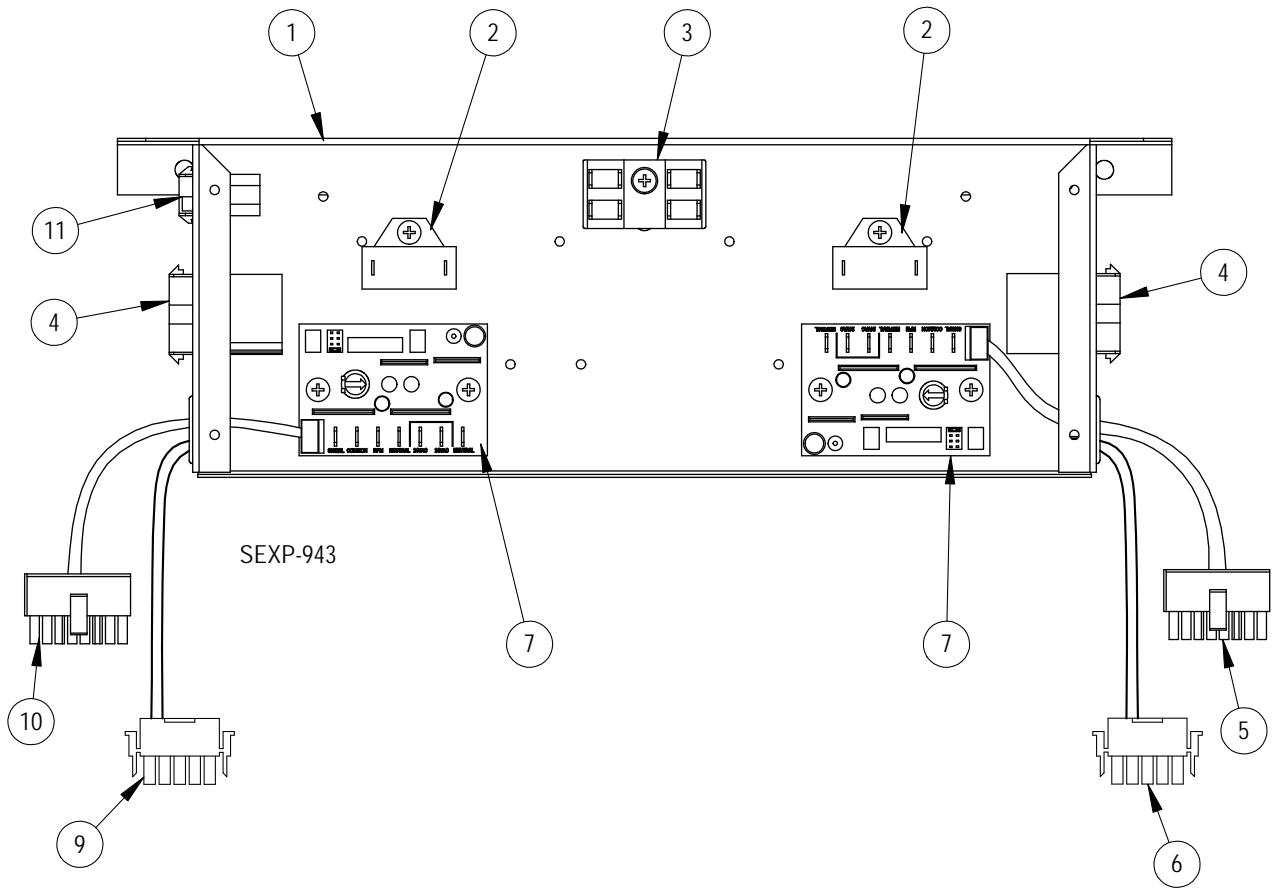
ERV COMPONENTS



ERV COMPONENTS

| Drawing No. | Part Number | Description | ERV |
|-------------|---------------|---|-----|
| 1 | S507-297 | Vent Box Top | X |
| 2 | 103-489 | Rear Blower Offset | X |
| 3 | 103-488 | Front Blower Offset | X |
| 4 | 900-319-001 | Exhaust Blower Assembly | X |
| 5 | 900-319-002 | Intake Blower Assembly | X |
| 6 | 141-379 | Cassette Upper Rail | 2 |
| 7 | 521-457 | Partition | X |
| 8 | S527-419 | Vent Box Base | X |
| 9 | 543-158 | Drain Access Plate | 2 |
| 10 | S501-638 | Vent Box Side | 2 |
| 11 | 505X1260 | Right Partition Angle | X |
| 12 | 521-464 | Right Side Partition | X |
| 13 | S105X1258 | Right Cassette Seal Angle | X |
| 14 | 141-380 | Cassette Lower Rail | 2 |
| 15 | Control Panel | See Control Panel section | x |
| 16 | 153-511 | Control Panel Cover | X |
| 17 | 141-381 | Filter Angle | 2 |
| 18 | 141X382 | Right Lower Filter Bracket | X |
| 19 | 7003-064 | Vent Intake Filter | 2 |
| 20 | 5070-055 | Right Cassette Assembly - Complete See cassette section for individual parts | X |
| 21 | 1171-053 | Swell Latch | 2 |
| 22 | S153-506 | Filter Door | 2 |
| 23 | 113-441 | Door Latch Bracket | X |
| 24 | S553-505 | Cassette Door | X |
| 25 | 5070-056 | Left Cassette Assembly - Complete See cassette section for individual parts | X |
| 26 | 141Y382 | Left Lower Filter Bracket | X |
| 27 | 105Y1260 | Left Partition Angle | X |
| 28 | 521-465 | Left Side Partition | X |
| 29 | S105Y1258 | Left Cassette Seal Angle | X |

ERV CONTROL PANEL COMPONENTS

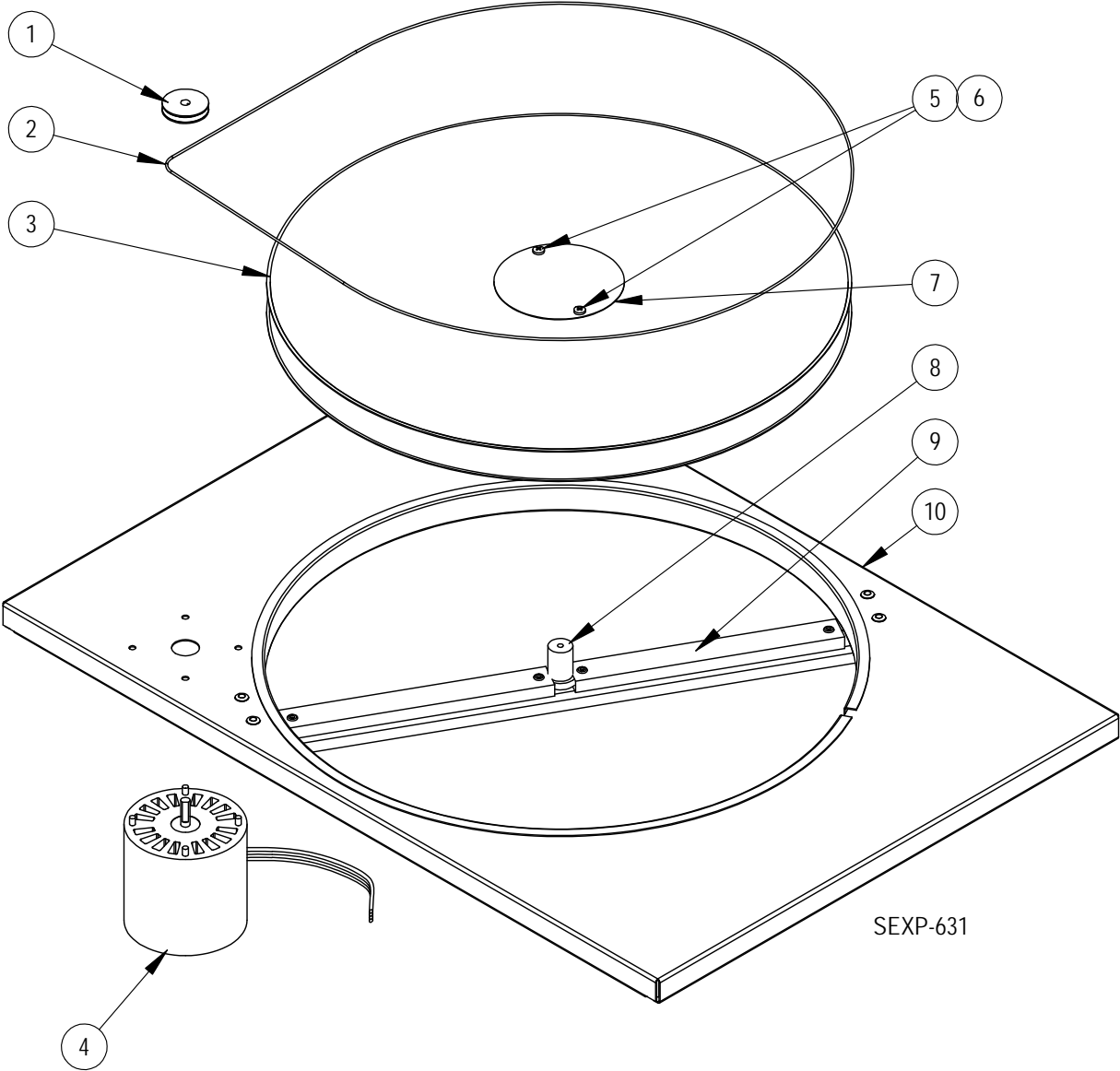


ERV CONTROL PANEL COMPONENTS

| Drawing No. | Part Number | Description | ERV Control Panel |
|-------------|-------------|-------------------------------|-------------------|
| 1 | 117-323 | Control Panel | X |
| 2 | 8552-073 | 3MFD 250V Capacitor | 2 |
| 3 | 8607-017 | Terminal Block | X |
| 4 | 3000-1648 | Cassette Motor Plug | 2 |
| 5 | 3000-1358 | Intake Speed Plug | X |
| 6 | 3000-1331 | Intake Plover Plug | X |
| 7 | 8201-124 | Blower Control Board | 2 |
| 9 | 3000-1356 | Exhaust Power Plug | X |
| 10 | 3000-1407 | Exhaust Speed Plug | X |
| 11 | 3000-1409 | Vent Section Plug | X |
| NS | 3000-1408 | Extension Plug | X |
| NS | 3000-1405 | Unit Control Panel Plug | X |
| NS | 8201-013 | Relay (in unit Control Panel) | X |

NS = Not Shown

ERV CASSETTE COMPONENTS

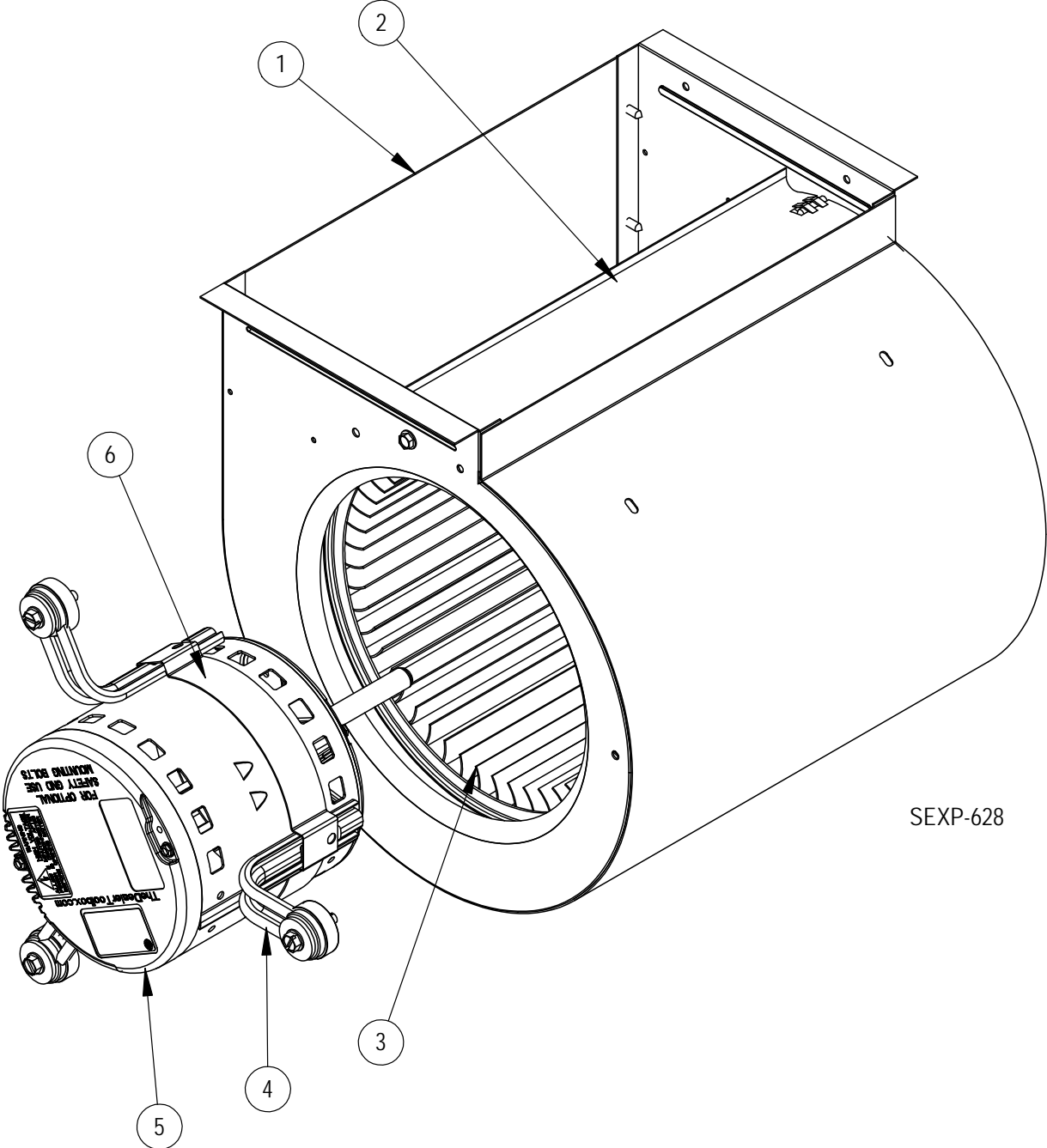


ERV CASSETTE COMPONENTS

| Drawing No. | Part Number | Description | 5070-055 Right Cassette | 5070-056 Left Cassette |
|-------------|-------------|-----------------------------------|----------------------------|---------------------------|
| 1 | 5501-018 | Pulley | X | X |
| 2 | 5070-054 | Drive Belt | X | X |
| 3 | 5070-043 | Cassette Wheel | X | X |
| 4 | 8101-021 | Motor | X | X |
| 5 | 1012-164 | Machine Screw | 2 | 2 |
| 6 | 8611-111 | Nylon Spacer | 2 | 2 |
| 7 | 142-104 | Hub Cover | X | X |
| 8 | 1912-012 | Wheel Shaft | X | X |
| 9 | 105-1259 | Cassette Wheel Angle | X | X |
| 10 | 539X275 | Right Hand Cassette Plate | X | |
| 10 | 539Y275 | Left Hand Cassette Plate | | X |
| NS | 8620-204 | ERV Bearing, Shaft & Hardware Kit | X | X |
| NS | 8620-205 | ERV Shaft & Hardware Kit | X | X |

NS = Not Shown

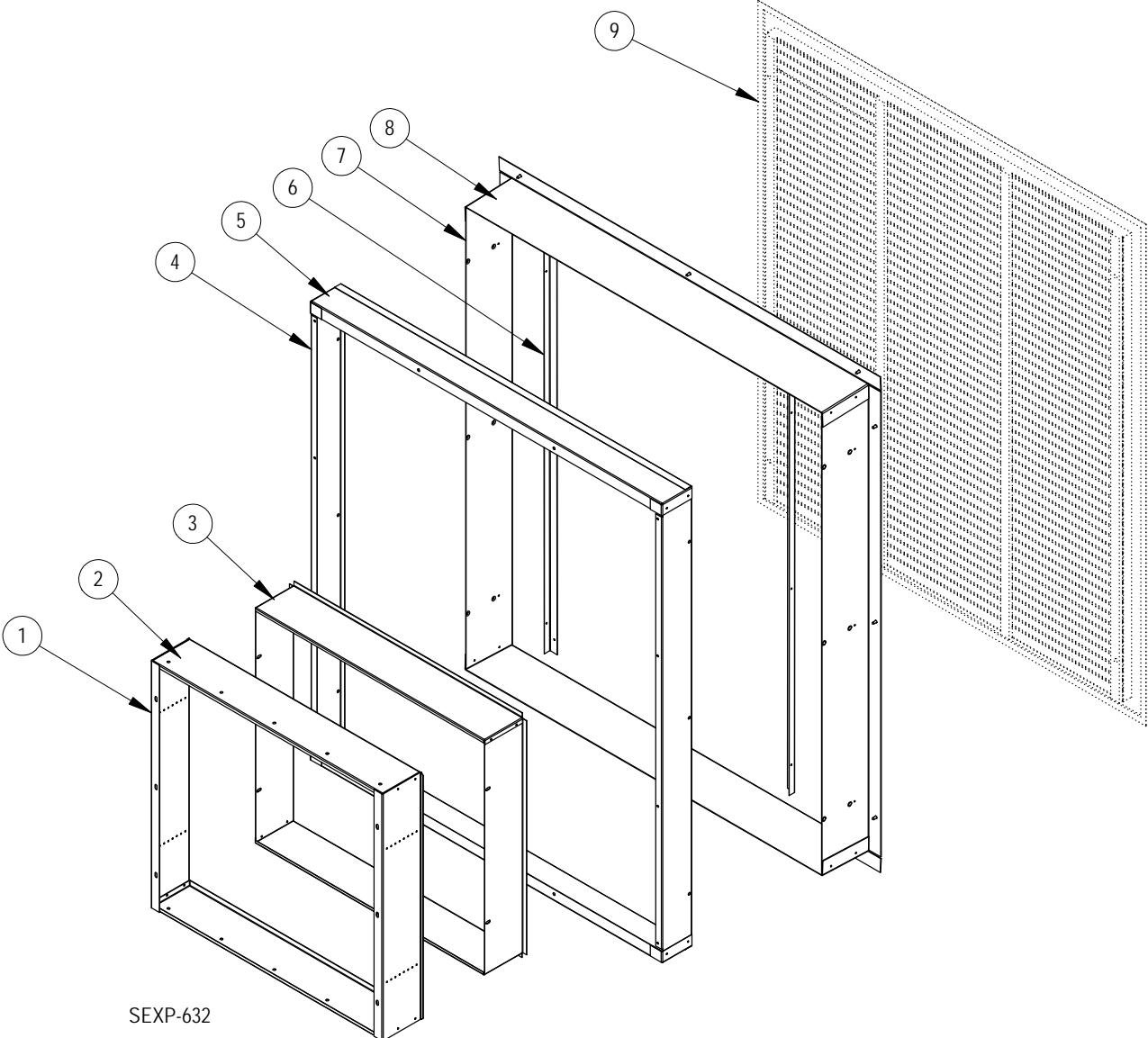
CRV/ERV BLOWER COMPONENTS



CRV/ERV BLOWER COMPONENTS

| Drawing No. | Part Number | Description | 900-318-001 | 900-318-002 | 900-319-001 | 900-319-002 | 900-319-003 | 900-319-004 |
|-------------|-----------------|--|-------------|-------------|-------------|-------------|-------------|-------------|
| 1 | 151-124 | Blower Housing | X | X | X | X | X | X |
| 2 | 144-129 | Diffuser | X | X | X | X | X | X |
| 3 | 5152-067 | Blower Wheel | X | X | X | X | X | X |
| 4 | 8200-046 | Motor Mount Arm | 3 | 3 | 3 | 3 | 3 | 3 |
| 5 | S8105-056-0104 | 1/3 HP Programmed Motor – CRV Exhaust | X | | | | | |
| 5 | S8105-056-0105 | 1/3 HP Programmed Motor – CRV Intake | | X | | | | |
| 5 | 8105-076-0106BX | 1/3 HP Programmed Motor – ERV Exhaust | | | X | | | |
| 5 | 8105-076-0107BX | 1/3 HP Programmed Motor – ERV Intake | | | | X | | |
| 5 | 8105-076-0140BX | 1/3 HP Programmed Motor – Mod. CRV Exhaust | | | | | X | |
| 5 | 8105-076-0141BX | 1/3 HP Programmed Motor – Mod. CRV Intake | | | | | | X |
| 6 | 8620-034 | Motor Mount Band | X | X | X | X | X | X |

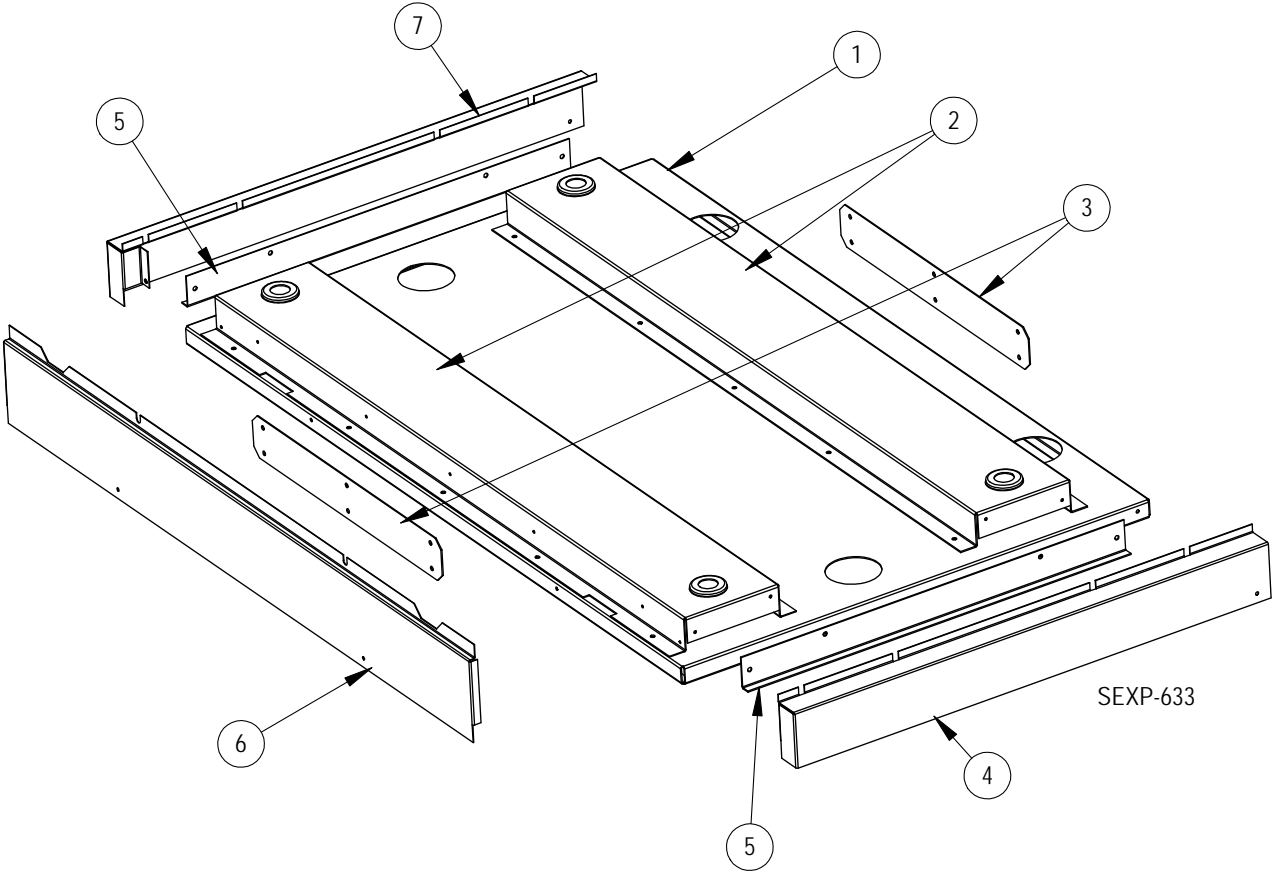
SLEEVE COMPONENTS



SLEEVE COMPONENTS

| Drawing No. | Part Number | Description | IWS-A | IWS-B | IWS-C |
|-------------|---------------------|--|-------|-------|-------|
| 1 | S111-188-8 4½" Deep | Outer Sleeve Side | 2 | | |
| | S111-195-8 7" Deep | | | 2 | |
| | S111-202-8 12" Deep | | | | 2 |
| 2 | S111-187-8 4½" Deep | Outer Sleeve End | 2 | | |
| | S111-194-8 7" Deep | | | 2 | |
| | S111-201-8 12" Deep | | | | 2 |
| 3 | 111-189-8 4½" Deep | Inner Fan Sleeve Side | 2 | | |
| | 111-196-8 7" Deep | | | 2 | |
| | 111-203-8 12" Deep | | | | 2 |
| 4 | 111-186-8 3½" Deep | Inner Sleeve Side | 2 | | |
| | 111-193-8 6" Deep | | | 2 | |
| | 111-200-8 11" Deep | | | | 2 |
| 5 | 111-185-8 3½" Deep | Inner Sleeve End | 2 | | |
| | 111-192-8 6" Deep | | | 2 | |
| | 111-199-8 11" Deep | | | | 2 |
| 6 | 105-1257-8 | Grille Support Angle | 2 | 2 | 2 |
| 7 | 111-184-8 5½" Deep | Outer Sleeve Side | 2 | | |
| | 111-191-8 8" Deep | | | 2 | |
| | 111-198-8 13" Deep | | | | 2 |
| 8 | 111-183-8 5½" Deep | Outer Sleeve End | 2 | | |
| | 111-190-8 8" Deep | | | 2 | |
| | 111-197-8 13" Deep | | | | 2 |
| 9 | ILG-10 | Outdoor Louver Grille - Clear anodized | X | X | X |
| | ILG-20 | Outdoor Louver Grille - Medium Bronze | X | X | X |
| | ILG-30 | Outdoor Louver Grille - Dark Bronze | X | X | X |

RISER PLATFORM COMPONENTS



RISER PLATFORM COMPONENTS

| Drawing No. | Part Number | Description | IRP-3-* | IRP-6-* |
|-------------|------------------------------|-----------------------|---------|---------|
| 1 | 127-420-X | Base Plate | X | X |
| 2 | 141-384 3" 141-385 6" | Base Rail | 2 | 2 |
| 3 | 112-447 | Base Connection Plate | 2 | 2 |
| 4 | 135-311-* 3" 135-314-* 6" | Right Side Trim | X | X |
| 5 | 105-1263 3" 105-1264 6" | Side Support Angle | 2 | 2 |
| 6 | 135-309-* 3" 135-312-* 6" | Front Trim | X | X |
| 7 | 135-310-* 3" 135-313-* 6" | Left Side Trim | X | X |

* Exterior cabinet parts are manufactured with various paint color options. To ensure the proper paint color is received, reference the following codes:

Beige -X
White -1
Buckeye Gray -4