

REPLACEMENT PARTS MANUAL

I-TEC® Series Packaged Heat Pump

Models:

I30H1-A I30H1DA I36H1-A I36H1DA I42H1-A I42H1DA I48H1-A I48H1DA I60H1-A I60H1DA
 I30H1-B I30H1DB I36H1-B I36H1DB I42H1-B I42H1DB I48H1-B I48H1DB I60H1-B I60H1DB
 I30H1-C I30H1DC I36H1-C I36H1DC I42H1-C I42H1DC I48H1-C I48H1DC I60H1-C I60H1DC

Description	Page	Description	Page
Wiring Diagram Charts		Modulating CRV Control Panel Components	
• Matrix	2 - 3	• Exploded View	28
Cabinet Components		• Usage List	29
• Exploded View	4	ERV Components	
• Usage List	5	• Exploded View	30
Painted Cabinet Components		• Usage List	31
• Exploded View	6	ERV Control Panel Components	
• Usage List	7	• Exploded View	32
Functional Components		• Usage List	33
• Exploded View	8	ERV Cassette Components	
• Usage List	9	• Exploded View	34
• Usage List	10	• Usage List	35
Blower Assembly		CRV/ERV Blower Components	
• Exploded View	11	• Exploded View	36
• Usage List	11	• Usage List	37
Control Panel Components - 1 Phase		Sleeve Components	
• Exploded View	12	• Exploded View	38
• Usage List	13	• Usage List	39
Control Panel Components - 3 Phase		Riser Platform Components	
• Exploded View	14	• Exploded View	40
• Usage List	15	• Usage List	41
Control Panel Components - 460V 3 Phase			
• Exploded View	16		
• Usage List	17		
Electric Heater Components			
• Exploded View	18		
• Usage Lists	19 - 21		
Vent Box (Only) Components			
• Exploded View	22		
• Usage List	23		
CRV Components			
• Exploded View	24		
• Usage List	25		
Modulating CRV Components			
• Exploded View	26		
• Usage List	27		

General Notes

- Revised and/or additional pages may be issued from time to time.
- A complete and current manual consists of pages shown in the following contents section.

Important

- Contact the installing and/or local Bard distributor for all parts requirements. Be sure to have the complete model and serial number available from the unit rating plates.



Bard Manufacturing Company, Inc.
 Bryan, Ohio 43506
www.bardhvac.com

Manual: 2110-1538Q
 Supersedes: 2110-1538P
 Date: 1-3-24

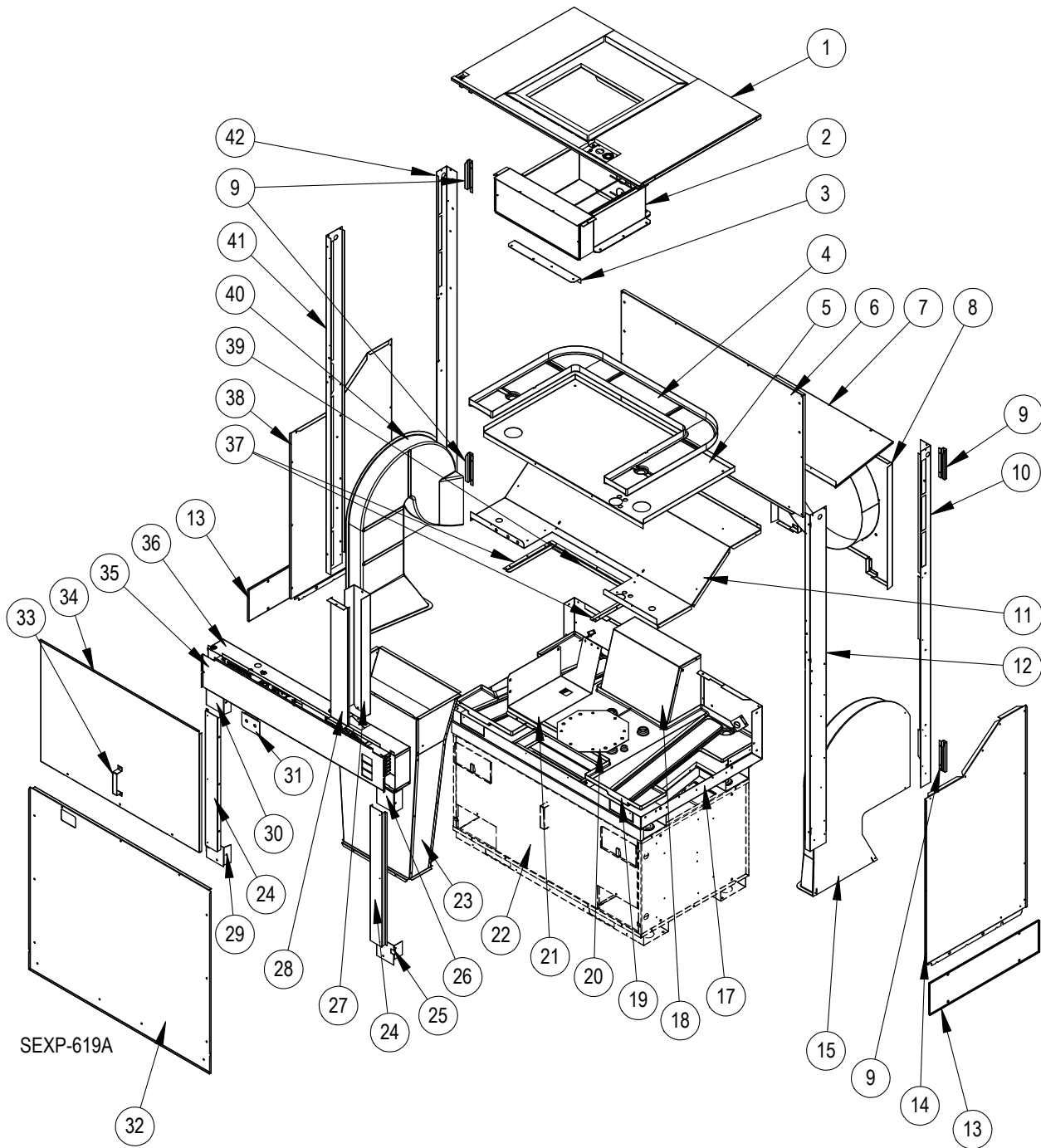
I**H1 SERIES WIRING DIAGRAM MATRIX

Model	Wiring Diagram	Ventilation Package	Wiring Diagram	Heater	Wiring Diagram
I30H1-A	4202-103	Commercial Room Ventilator	4204-103	0KW	4203-100
		Energy Recovery Ventilator	4204-108	5KW	4203-101
		Economizer	4204-105	10KW	4203-103
		Modulating Commercial Room Ventilator	4204-106		
I30H1-B	4202-203	Commercial Room Ventilator	4204-103	0KW	4203-200
		Energy Recovery Ventilator	4204-108	6KW	4203-201
		Economizer	4204-105	9KW	4203-201
		Modulating Commercial Room Ventilator	4204-106		
I30H1-C	4202-303	Commercial Room Ventilator	4204-103	0KW	4203-300
		Energy Recovery Ventilator	4204-108	6KW	4203-301
		Economizer	4204-105	9KW	4203-301
		Modulating Commercial Room Ventilator	4204-106		
I36H1-A	4202-103	Commercial Room Ventilator	4204-103	0KW	4203-100
		Energy Recovery Ventilator	4204-108	5KW	4203-101
		Economizer	4204-105	10KW	4203-103
		Modulating Commercial Room Ventilator	4204-106	15KW	4203-104
I36H1-B	4202-203	Commercial Room Ventilator	4204-103	0KW	4203-200
		Energy Recovery Ventilator	4204-108	6KW	4203-201
		Economizer	4204-105	9KW	4203-201
		Modulating Commercial Room Ventilator	4204-106	15KW	4203-202
I36H1-C	4202-303	Commercial Room Ventilator	4204-103	0KW	4203-300
		Energy Recovery Ventilator	4204-108	6KW	4203-301
		Economizer	4204-105	9KW	4203-301
		Modulating Commercial Room Ventilator	4204-106	15KW	4203-302
I42H1-A	4202-103	Commercial Room Ventilator	4204-103	0KW	4203-100
		Energy Recovery Ventilator	4204-108	5KW	4203-101
		Economizer	4204-105	10KW	4203-103
		Modulating Commercial Room Ventilator	4204-106	15KW	4203-104
I42H1-B	4202-203	Commercial Room Ventilator	4204-103	0KW	4203-200
		Energy Recovery Ventilator	4204-108	6KW	4203-201
		Economizer	4204-105	9KW	4203-201
		Modulating Commercial Room Ventilator	4204-106	15KW	4203-202
I42H1-C	4202-303	Commercial Room Ventilator	4204-103	0KW	4203-300
		Energy Recovery Ventilator	4204-108	6KW	4203-301
		Economizer	4204-105	9KW	4203-301
		Modulating Commercial Room Ventilator	4204-106	15KW	4203-302
I48H1-A	4202-103	Commercial Room Ventilator	4204-103	0KW	4203-100
		Energy Recovery Ventilator	4204-108	4KW	4203-101
		Economizer	4204-105	5KW	4203-102
		Modulating Commercial Room Ventilator	4204-106	10KW	4203-103
				15KW	4203-104
I48H1-B	4202-203	Commercial Room Ventilator	4204-103	0KW	4203-200
		Energy Recovery Ventilator	4204-108	6KW	4203-201
		Economizer	4204-105	9KW	4203-201
		Modulating Commercial Room Ventilator	4204-106	15KW	4203-202
				18KW	4203-202
I48H1-C	4202-303	Commercial Room Ventilator	4204-103	0KW	4203-300
		Energy Recovery Ventilator	4204-108	6KW	4203-301
		Economizer	4204-105	9KW	4203-301
		Modulating Commercial Room Ventilator	4204-106	15KW	4203-302
				18KW	4203-302
I60H1-A	4202-103	Commercial Room Ventilator	4204-103	0KW	4203-100
		Energy Recovery Ventilator	4204-108	4KW	4203-101
		Economizer	4204-105	5KW	4203-102
		Modulating Commercial Room Ventilator	4204-106	10KW	4203-103
				15KW	4203-104
I60H1-B	4202-203	Commercial Room Ventilator	4204-103	0KW	4203-200
		Energy Recovery Ventilator	4204-108	6KW	4203-201
		Economizer	4204-105	9KW	4203-201
		Modulating Commercial Room Ventilator	4204-106	15KW	4203-202
				18KW	4203-203
I60H1-C	4202-303	Commercial Room Ventilator	4204-103	0KW	4203-300
		Energy Recovery Ventilator	4204-108	6KW	4203-301
		Economizer	4204-105	9KW	4203-301
		Modulating Commercial Room Ventilator	4204-106	15KW	4203-302
		18KW	4203-302		

I*H1 SERIES WIRING DIAGRAM MATRIX

Model	Wiring Diagram	Ventilation Package	Wiring Diagram	Heater	Wiring Diagram
I30H1DA	4202-104	Commercial Room Ventilator	4204-103	0KW	4203-100
		Energy Recovery Ventilator	4204-108	5KW	4203-101
		Economizer	4204-105	10KW	4203-103
		Modulating Commercial Room Ventilator	4204-106		
I30H1DB	4202-204	Commercial Room Ventilator	4204-103	0KW	4203-200
		Energy Recovery Ventilator	4204-108	6KW	4203-201
		Economizer	4204-105	9KW	4203-201
		Modulating Commercial Room Ventilator	4204-106		
I30H1DC	4202-304	Commercial Room Ventilator	4204-103	0KW	4203-300
		Energy Recovery Ventilator	4204-108	6KW	4203-301
		Economizer	4204-105	9KW	4203-301
		Modulating Commercial Room Ventilator	4204-106		
I36H1DA	4202-104	Commercial Room Ventilator	4204-103	0KW	4203-100
		Energy Recovery Ventilator	4204-108	5KW	4203-101
		Economizer	4204-105	10KW	4203-103
		Modulating Commercial Room Ventilator	4204-106	15KW	4203-104
I36H1DB	4202-204	Commercial Room Ventilator	4204-103	0KW	4203-200
		Energy Recovery Ventilator	4204-108	6KW	4203-201
		Economizer	4204-105	9KW	4203-201
		Modulating Commercial Room Ventilator	4204-106	15KW	4203-202
I36H1DC	4202-304	Commercial Room Ventilator	4204-103	0KW	4203-300
		Energy Recovery Ventilator	4204-108	6KW	4203-301
		Economizer	4204-105	9KW	4203-301
		Modulating Commercial Room Ventilator	4204-106	15KW	4203-302
I42H1DA	4202-104	Commercial Room Ventilator	4204-103	0KW	4203-100
		Energy Recovery Ventilator	4204-108	5KW	4203-101
		Economizer	4204-105	10KW	4203-103
		Modulating Commercial Room Ventilator	4204-106	15KW	4203-104
I42H1DB	4202-204	Commercial Room Ventilator	4204-103	0KW	4203-200
		Energy Recovery Ventilator	4204-108	6KW	4203-201
		Economizer	4204-105	9KW	4203-201
		Modulating Commercial Room Ventilator	4204-106	15KW	4203-202
I42H1DC	4202-304	Commercial Room Ventilator	4204-103	0KW	4203-300
		Energy Recovery Ventilator	4204-108	6KW	4203-301
		Economizer	4204-105	9KW	4203-301
		Modulating Commercial Room Ventilator	4204-106	15KW	4203-302
I48H1DA	4202-104	Commercial Room Ventilator	4204-103	0KW	4203-100
		Energy Recovery Ventilator	4204-108	4KW	4203-101
		Economizer	4204-105	5KW	4203-102
		Modulating Commercial Room Ventilator	4204-106	10KW	4203-103
				15KW	4203-104
I48H1DB	4202-204	Commercial Room Ventilator	4204-103	0KW	4203-200
		Energy Recovery Ventilator	4204-108	6KW	4203-201
		Economizer	4204-105	9KW	4203-201
		Modulating Commercial Room Ventilator	4204-106	15KW	4203-202
				18KW	4203-202
I48H1DC	4202-304	Commercial Room Ventilator	4204-103	0KW	4203-300
		Energy Recovery Ventilator	4204-108	6KW	4203-301
		Economizer	4204-105	9KW	4203-301
		Modulating Commercial Room Ventilator	4204-106	15KW	4203-302
				18KW	4203-302
I60H1DA	4202-104	Commercial Room Ventilator	4204-103	0KW	4203-100
		Energy Recovery Ventilator	4204-108	4KW	4203-101
		Economizer	4204-105	5KW	4203-102
		Modulating Commercial Room Ventilator	4204-106	10KW	4203-103
				15KW	4203-104
I60H1DB	4202-204	Commercial Room Ventilator	4204-103	0KW	4203-200
		Energy Recovery Ventilator	4204-108	6KW	4203-201
		Economizer	4204-105	9KW	4203-201
		Modulating Commercial Room Ventilator	4204-106	15KW	4203-202
				18KW	4203-203
I60H1DC	4202-304	Commercial Room Ventilator	4204-103	0KW	4203-300
		Energy Recovery Ventilator	4204-108	6KW	4203-301
		Economizer	4204-105	9KW	4203-301
		Modulating Commercial Room Ventilator	4204-106	15KW	4203-302
		18KW	4203-302		

CABINET COMPONENTS

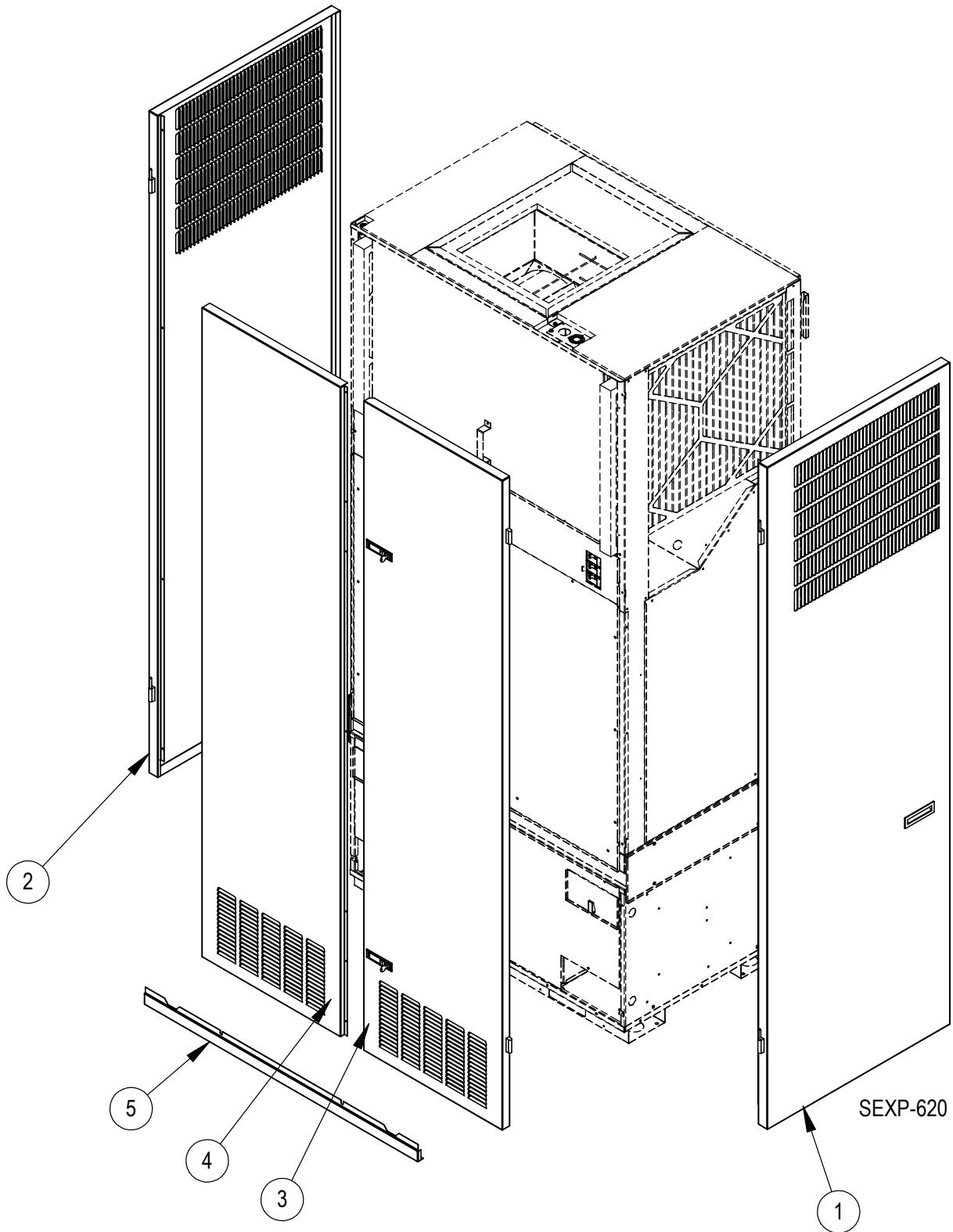


CABINET COMPONENTS

Drawing No.	Part Number	Description	All Models
1	S507-296	Top Assembly	X
2	Heater Package	See Heater Pkg. Section	X
3	105-1256	Front blower angle	X
4	6096-001	Indoor drain pan	X
5	S141-383	Evap. Coil Support	X
6	509-259-8	Unit Back Assembly	X
7	S137-641	Cond. Coil Top Fill	X
8	S125-065	Fan Shroud/Venturi Assembly	X
9	113-439	Side Bracket	4
10	S149-120	Right Rear Corner	X
11	S121-456	Condenser Partition	X
12	S149-123	Right Front Corner	X
13	113-630	Unit Connection Bracket	2
14	S101X635	Right Inner Side Panel	X
15	7001-026	Right Hand Inlet Duct (used on CRV & ERV units only)	X
17	S127-522	Condenser Base Assembly	X
18	S921-0003	Exhaust Duct Assembly	X
19	6096-009	Outdoor Drain Pan	X
20	126-417	Compressor Mounting Base	X
21	113-595 113-449	460V trans. Mtg brkt. (I36-42-48) 460V trans. Mtg brkt. (I60 Only)	X X
22	Vent Option	See Vent Section	X
23	511-177	Intake Duct Assembly (used on CRV and ERV units only)	X
24	S141-391	Condenser Coil Access Door	X
25	S141X390	Lower Right Condenser Coil Support	X
26	S141X389	Upper Right Condenser Coil Support	X
27	165-603	High Voltage Wire Channel	X
28	143-202	High Voltage Wire Channel Cover	X
29	S141Y390	Lower Left Condenser Coil Support	X
30	S141Y389	Upper Left Condenser Coil Support	X
31	S113-440	Dual Service Port Bracket	X
32	S553-498	Condenser Door	X
33	113-441	Door Latch Bracket	X
34	S553-496	Evaporator Door	X
35	153-755 153-756	Control Panel Door (230V Units) Control Panel Door (460V Units)	X X
36	Control Panel	See Control Panel Section	X
37	103-493	Cond. Partition Side Offset	2
38	S101Y635	Left Inner Side Panel	X
39	103-494	Cond. Partition Rear Offset	X
40	7001-027	Left Hand Inlet Duct (used on CRV & ERV units only)	X
41	S149-121	Left Front Corner	X
42	S149-122	Left Rear Corner	X
NS	S113-426	Top Mounting Bracket	X

NS = Not Shown

PAINTED CABINET COMPONENTS



PAINTED CABINET COMPONENTS

Drawing No.	Part Number	Description	All Models
1	501-636-*	Right Side	X
2	501-637-*	Left Side	X
3	S553-500-*	Right Front Door	X
4	S553-499-*	Left Front Door	X
5	115-206-*	Front Unit Trim	X
NS	5451-031	Hinge Spacer (Black Nylon)	2

* Exterior cabinet parts are manufactured with various paint color options. To ensure the proper paint color is received, reference the following codes:

Beige -X
White -1
Buckeye Gray -4

NS = Not Shown

FUNCTIONAL COMPONENTS

Dwg. No.	Part Number	Description	I30H1-A	I30H1-B	I30H1-C	I30H1DA	I30H1DB	I30H1DC	I36H1-A	I36H1-B	I36H1-C	I36H1DA	I36H1DB	I36H1DC	I42H1-A	I42H1-B	I42H1-C	I42H1DA	I42H1DB	I42H1DC	I48H1-A	I48H1-B	I48H1-C	I48H1DA	I48H1DB	I48H1DC	I60H1-A	I60H1-B	I60H1-C	I60H1DA	I60H1DB	I60H1DC
1	5154-016-0090BX 5154-017-0089BX 5154-017-0088BX 5154-017-0087BX 5154-018-0081BX	Complete Blower Assembly See Blower section for individual components	X	X	X	X	X		X	X	X	X	X		X	X	X	X	X	X		X	X	X	X		X	X	X	X	X	
2	5060-174BX 5060-168BX 5060-175BX	Evaporator Coil	X	X	X	X	X		X	X	X	X	X	X	X	X	X	X	X	X	X	X	X	X	X		X	X	X	X	X	
3	5051-173BX 5051-174BX 5051-175BX	Dehumidification Reheat Coil				X	X	X				X	X	X				X	X	X				X	X	X				X	X	X
4	5400-006	Polymide Lift-Off Hinge	4	4	4	4	4	4	4	4	4	4	4	4	4	4	4	4	4	4	4	4	4	4	4	4	4	4	4	4	4	4
5	5625-014 5625-007 5625-008	Distributor	X	X	X	X	X		X	X	X	X	X	X	X	X	X	X	X	X	X	X	X	X	X		X	X	X	X	X	
6	7004-050 7004-051 7004-053	MERV 8 Filter MERV 11 Filter MERV 13 Filter	2	2	2	2	2	2	2	2	2	2	2	2	2	2	2	2	2	2	2	2	2	2	2	2	2	2	2	2	2	2
7	5651-210 5651-212 5651-211 5651-241	Expansion Valve	X	X	X	X	X															X	X	X	X	X						
8	1171-063	Lockable Latch	2	2	2	2	2	2	2	2	2	2	2	2	2	2	2	2	2	2	2	2	2	2	2	2	2	2	2	2	2	
9	5151-058	Fan Blade	X	X	X	X	X	X	X	X	X	X	X	X	X	X	X	X	X	X	X	X	X	X	X	X	X	X	X	X	X	X
10	8200-045	Fan Mount	X	X	X	X	X	X	X	X	X	X	X	X	X	X	X	X	X	X	X	X	X	X	X	X	X	X	X	X	X	X
11	S8105-058-0109 S8105-058-0095 S8106-054-0096	Programmed Outdoor Motor	X	X	X	X	X		X	X	X	X	X	X	X	X	X	X	X	X	X		X	X	X	X	X	X	X	X	X	X
12	5650-038 5650-039 5650-040	Reversing Valve	X	X	X	X	X		X	X	X	X	X	X	X	X	X	X	X	X	X		X	X	X	X	X	X	X	X	X	X
13	5651-219	Check Valve				2	2	2				2	2	2																		
14	8406-142	High Pressure Switch, 650 PSIG	X	X	X	X	X	X	X	X	X	X	X	X	X	X	X	X	X	X	X	X	X	X	X	X	X	X	X	X	X	X
15	8406-112	Low Ambient Control	X	X	X	X	X	X	X	X	X	X	X	X	X	X	X	X	X	X	X	X	X	X	X	X	X	X	X	X	X	X
16	8406-135	Low Pressure Switch	X	X	X	X	X	X	X	X	X	X	X	X	X	X	X	X	X	X	X	X	X	X	X	X	X	X	X	X	X	X
17	5625-013 5625-007	Distributor	2	2	2	2	2	2	2	2	2	2	2	2	2	2	2	2	2	2	2						2	2	2	2	2	2
18	5651-217 5651-218 5651-200	Expansion Valve	2	2	2	2	2	2	2	2	2	2	2	2		2	2	2	2	2	2	2	2	2	2	2						
19	5051-190BX 5051-189BX 5051-191BX	Condenser Coil	2	2	2	2	2	2		2	2	2	2	2	2	2	2	2	2	2	2							2	2	2	2	2
20	5201-019 5201-020	Filter-Drier	X	X	X	X	X		X	X	X	X	X	X	X	X	X	X	X	X	X	X	X	X	X	X	X	X	X	X	X	X
22	5220-013	Pulsation Dampener/ Muffler	X	X	X	X	X	X	X	X	X	X	X	X	X	X	X	X	X	X	X	X	X	X	X	X	X	X	X	X	X	X
23	7004-003	Filter	2	2	2	2	2	2	2	2	2	2	2	2	2	2	2	2	2	2	2	2	2	2	2	2	2	2	2	2	2	
24	8001-013	Compressor Grommet	4	4	4	4	4	4	4	4	4	4	4	4	4	4	4	4	4	4	4	4	4	4	4	4	4	4	4	4	4	
25	1012-328	Compressor Bolt	4	4	4	4	4	4	4	4	4	4	4	4	4	4	4	4	4	4	4	4	4	4	4	4	4	4	4	4	4	

Continued on page 10

FUNCTIONAL COMPONENTS

Dwg. No.	Part Number	Description	I30H1-A	I30H1-B	I30H1-C	I30H1DA	I30H1DB	I30H1DC	I36H1-A	I36H1-B	I36H1-C	I36H1DA	I36H1DB	I36H1DC	I42H1-A	I42H1-B	I42H1-C	I42H1DA	I42H1DB	I42H1DC	I48H1-A	I48H1-B	I48H1-C	I48H1DA	I48H1DB	I48H1DC	I60H1-A	I60H1-B	I60H1-C	I60H1DA	I60H1DB	I60H1DC		
<i>Continued from page 9</i>																																		
	8000-388		X			X																												
	8000-389			X			X																											
	8000-390				X			X																										
	8000-379								X				X																					
	8000-380									X			X																					
	8000-381										X			X																				
26	8000-392	Compressor													X																			
	8000-393															X																		
	8000-382																X																	
	8000-383																					X												
	8000-384																						X											
	8000-424																								X									
	8000-425																										X							
	8000-426																											X						
27	8002-012	Compressor Sound Cover	X	X	X	X	X	X	X	X	X	X	X	X	X	X	X	X	X	X	X													
	8002-013																					X	X	X	X	X	X	X	X	X	X	X	X	X
28	5650-051	Dehum. Valve, 4-Pipe				X	X	X				X	X	X				X	X	X				X	X	X					X	X	X	
29	1171-060	Flush Plastic Door Pull	2	2	2	2	2	2	2	2	2	2	2	2	2	2	2	2	2	2	2	2	2	2	2	2	2	2	2	2	2	2	2	2
30	5451-018	Motor Mount Grommet	2	2	2	2	2	2	2	2	2	2	2	2	2	2	2	2	2	2	2	2	2	2	2	2	2	2	2	2	2	2	2	2
31	5650-046	Rev. Valve Solenoid - Black casing	X	X	X	2	2	2	X	X	X	2	2	2	X	X	X	2	2	2	X	X	X	2	2	2	X	X	X	2	2	2	2	2
32	<i>See separate chart below for Item #32</i>																																	
NS	6094-011	3/4" Barbed Drain Pan Fitting	4	4	4	4	4	4	4	4	4	4	4	4	4	4	4	4	4	4	4	4	4	4	4	4	4	4	4	4	4	4	4	4
NS	6001-016	Nylon Barbed Tee	X	X	X	X	X	X	X	X	X	X	X	X	X	X	X	X	X	X	X	X	X	X	X	X	X	X	X	X	X	X	X	X
NS	7950-021	1" Hose Clamp	8	8	8	8	8	8	8	8	8	8	8	8	8	8	8	8	8	8	8	8	8	8	8	8	8	8	8	8	8	8	8	8
NS	910-1977	Evap Overflow Switch Ass'y	X	X	X	X	X	X	X	X	X	X	X	X	X	X	X	X	X	X	X	X	X	X	X	X	X	X	X	X	X	X	X	X
NS	6031-009	Coremax Valve Core	X	X	X	X	X	X	X	X	X	X	X	X	X	X	X	X	X	X	X	X	X	X	X	X	X	X	X	X	X	X	X	X

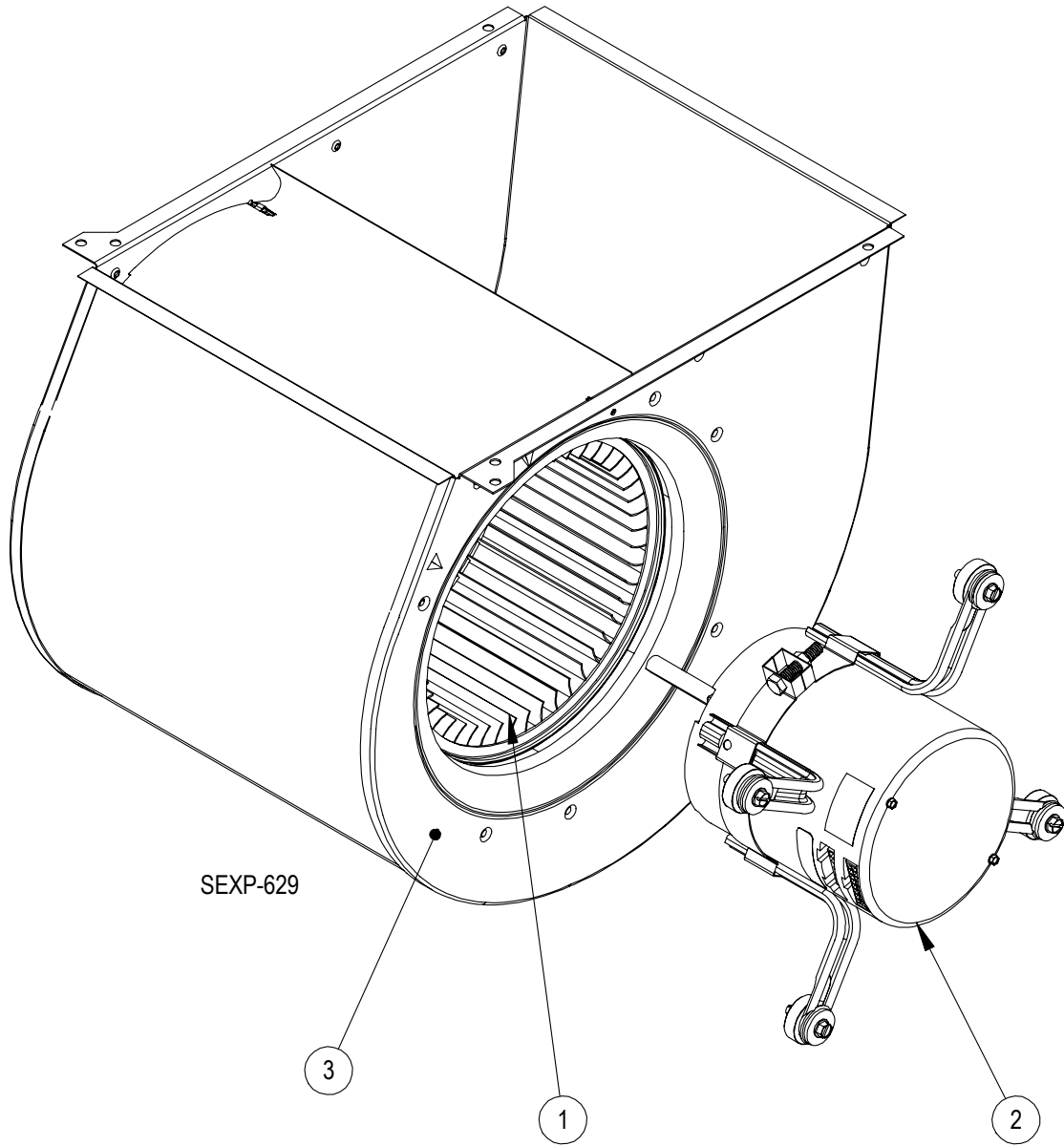
NS = Not Shown

With Vent

No Vent

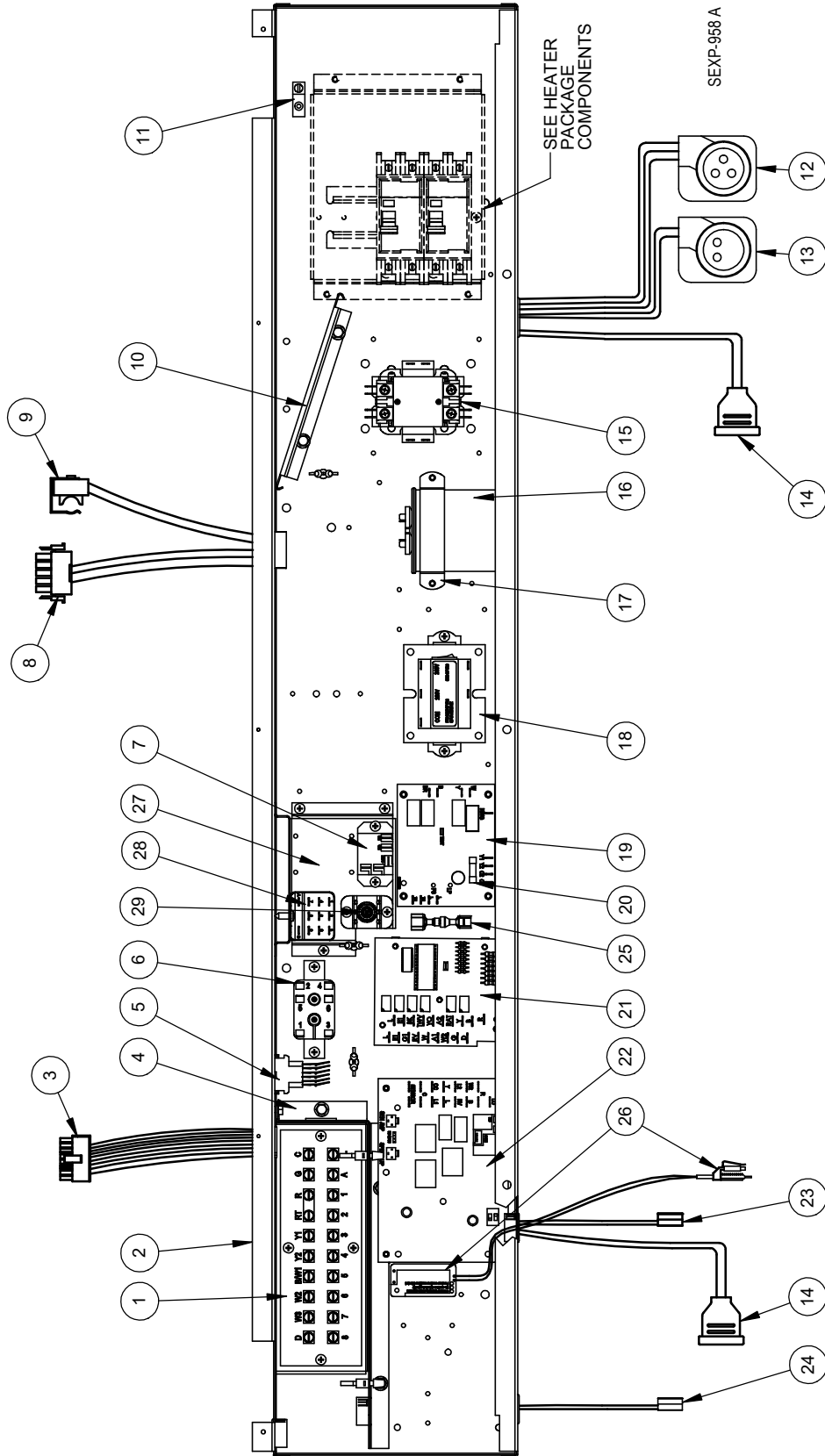
32	I30H1-C	910-1880BX 1.5 KVA Stepdown Transformer with Base	910-1882BX 1 KVA Stepdown Transformer with Base
	I30H1DC		
	I36H1-C	910-1881BX 2 KVA Stepdown Transformer with Base	910-1880BX 1.5 KVA Stepdown Transformer with Base
	I36H1DC		
	I42H1-C		
	I42H1DC		
	I48H1-C	910-1814BX 3 KVA Stepdown Transformer with Base	910-1881BX 2 KVA Stepdown Transformer with Base
	I48H1DC		
I60H1-C			
I60H1DC			

BLOWER ASSEMBLY COMPONENTS



Drawing No.	Part Number	Description	5154-016-0090	5154-017-0089	5154-017-0088	5154-017-0087	5154-018-0081
1	5152-049	Blower Wheel	X	X	X	X	X
2	8105-076-0090BX	1/3 HP Programmed Motor	X				
	8106-072-0089BX	1/2 HP Programmed Motor		X			
	8106-072-0088BX	1/2 HP Programmed Motor			X		
	8106-072-0087BX	1/2 HP Programmed Motor				X	
	8107-033-0081BX	3/4 HP Programmed Motor					X
3	151-122	Housing	X	X	X	X	X

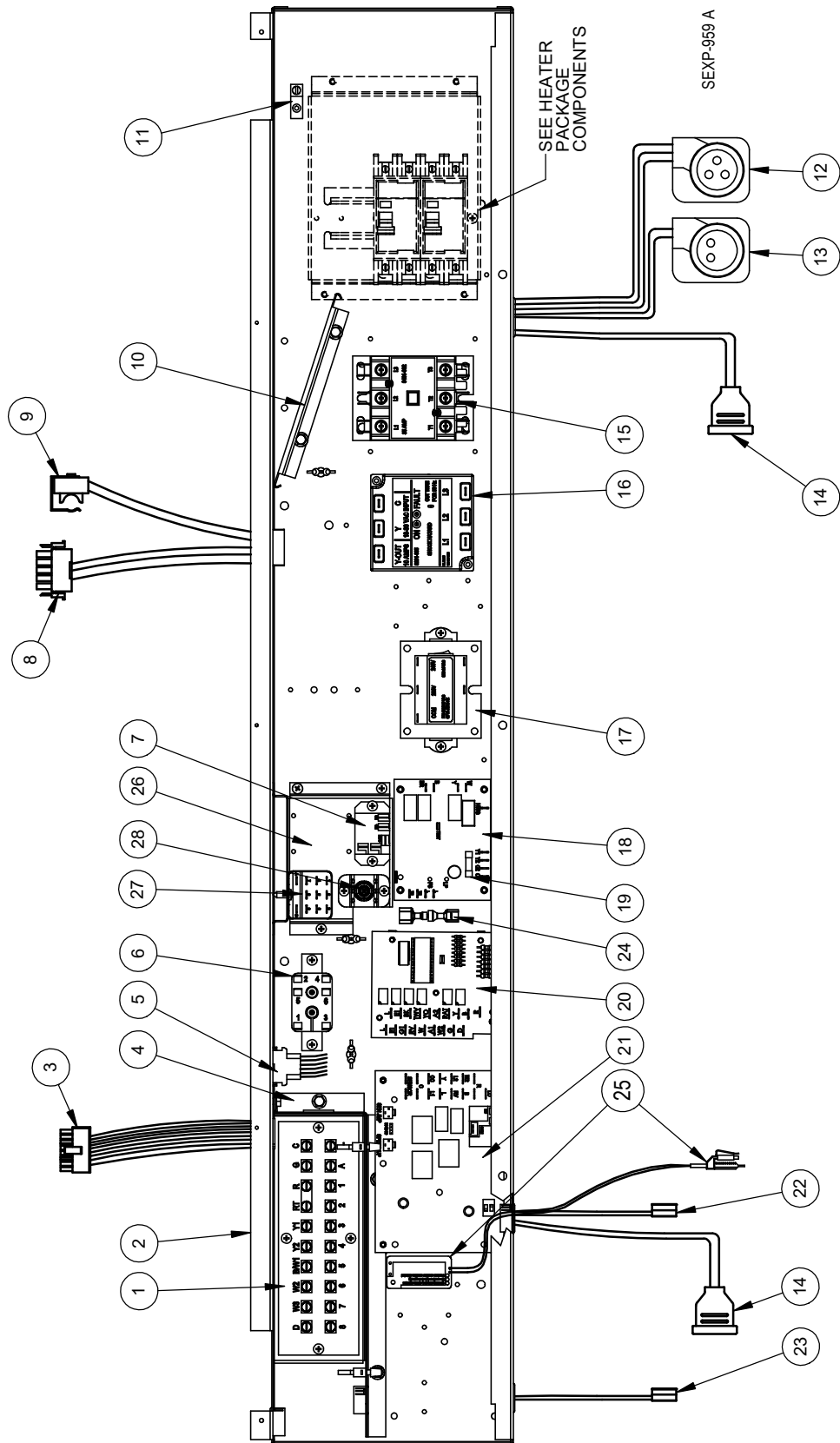
CONTROL PANEL COMPONENTS - 1 PHASE



CONTROL PANEL COMPONENTS – 1 PHASE

Drawing No.	Part Number	Description	I30H1-A	I30H1DA	I36H1-A	I36H1DA	I42H1-A	I42H1DA	I48H1-A	I48H1DA	I60H1-A	I60H1DA
1	8607-032	Low Voltage Terminal Strip	X	X	X	X	X	X	X	X	X	X
2	517-441	Control Panel	X	X	X	X	X	X	X	X	X	X
3	3000-1396	16 pin 24V Indoor Blower Motor Control	X	X	X	X	X	X	X	X	X	X
4	117-319	Low Voltage terminal box	X	X	X	X	X	X	X	X	X	X
5	3000-1397	6 Pin Elect. Heat	X	X	X	X	X	X	X	X	X	X
6	8201-015	Relay	X	X	X	X	X	X	X	X	X	X
7	8201-130	Relay		X		X		X		X		X
8	3000-1398	5 Pin Indoor Blower Motor Power	X	X	X	X	X	X	X	X	X	X
9	8408-048	Freeze protect thermostat	X	X	X	X	X	X	X	X	X	X
10	135-417	Wire Shield	X	X	X	X	X	X	X	X	X	X
11	8611-006	Ground Terminal	X	X	X	X	X	X	X	X	X	X
12	3000-1222	Compressor Power Plug	X	X	X	X	X	X	X	X	X	X
13	3000-1223	Compressor Solenoid Plug	X	X	X	X	X	X	X	X	X	X
14	5650-044	Solenoid Valve plug	X	2	X	2	X	2	X	2	X	2
15	8401-025	Contactora 2 Pole 40 Amp	X	X	X	X	X	X	X	X	X	X
16	8552-035	Capacitor 40MFD 370V	X	X	X	X						
	8552-043	Capacitor 45MFD 370V					X	X				
	8552-095	Capacitor 30MFD 370V							X	X		
	8552-096	Capacitor 40MFD 440V									X	X
17	8550-007	Capacitor Bracket 2" Round	X	X	X	X					X	X
	8550-008	Capacitor Bracket 2-1/2" Round					X	X				
	8550-006	Capacitor Bracket 1-3/4" Round							X	X		
18	8407-065	Transformer 75VA with Circuit Breaker	X	X	X	X	X	X	X	X	X	X
19	8201-166	Fan Logic Control	X	X	X	X	X	X	X	X	X	X
20	8614-052	3.15 Amp Fuse	X	X	X	X	X	X	X	X	X	X
21	8201-113	Dehum Logic Board		X		X		X		X		X
22	8620-223	Defrost Control Board Kit (includes new sensor)	X	X	X	X	X	X	X	X	X	X
23	8620-225	Defrost Sensor Kit	X	X	X	X	X	X	X	X	X	X
24	8408-040	Fan Control Thermistor	X	X	X	X	X	X	X	X	X	X
25	910-1816	Fan Control Resistor (Optional)	X	X	X	X	X	X	X	X	X	X
26	910-1936	Overflow Switch Assembly	X	X	X	X	X	X	X	X	X	X
27	113-804	Overflow Relay Bracket	X	X	X	X	X	X	X	X	X	X
28	8201-048	Overflow Relay	X	X	X	X	X	X	X	X	X	X
29	8611-094	Indicator Light	X	X	X	X	X	X	X	X	X	X

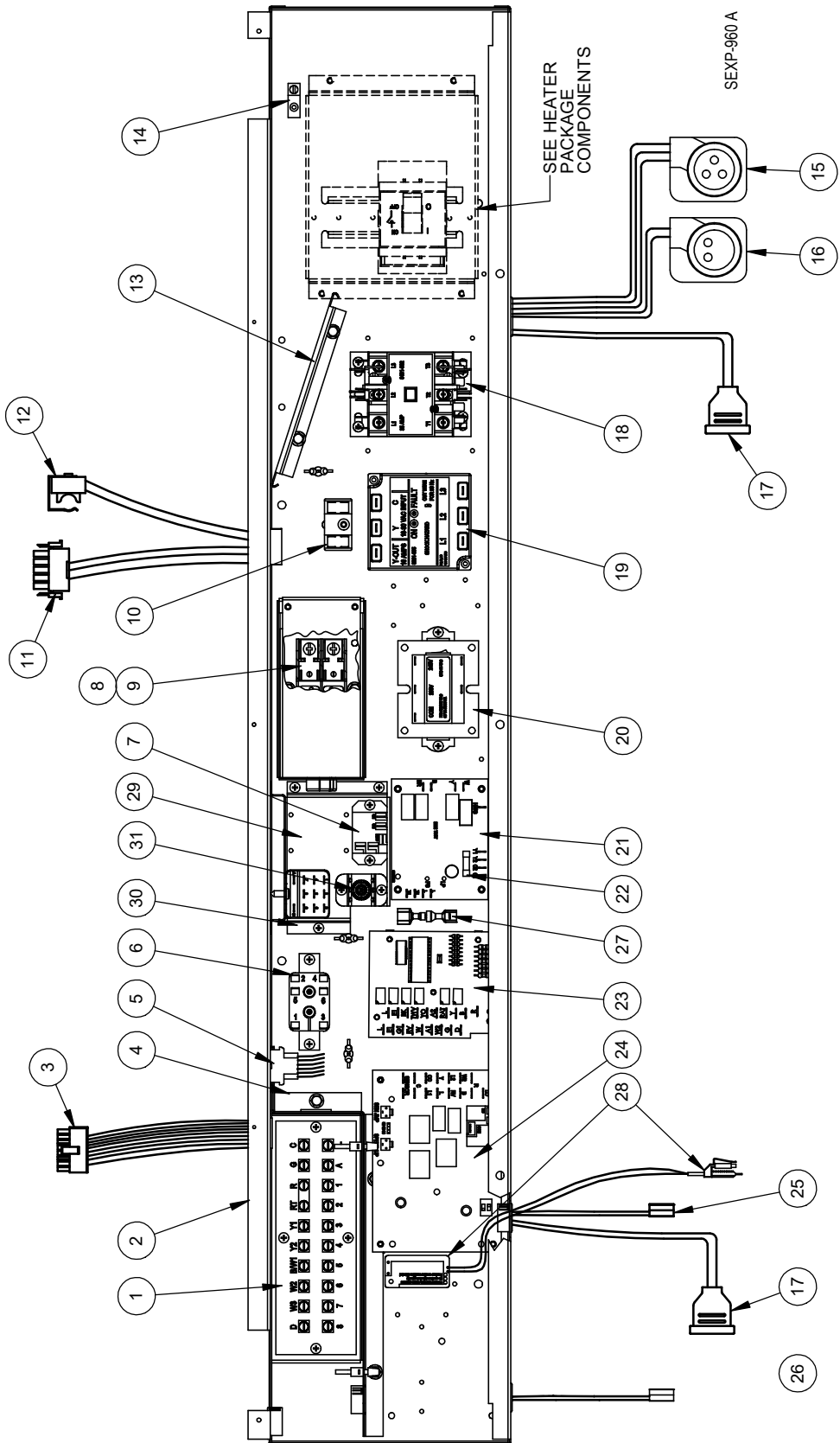
CONTROL PANEL COMPONENTS - 3 PHASE



CONTROL PANEL COMPONENTS - 3 PHASE

Drawing No.	Part Number	Description	I30H1-B	I30H1DB	I36H1-B	I36H1DB	I42H1-B	I42H1DB	I48H1-B	I48H1DB	I60H1-B	I60H1DB
1	8607-032	Low Voltage Terminal Strip	X	X	X	X	X	X	X	X	X	X
2	517-441	Control Panel	X	X	X	X	X	X	X	X	X	X
3	3000-1396	16 pin 24V Indoor Blower Motor Control	X	X	X	X	X	X	X	X	X	X
4	117-319	Low Voltage Terminal Box	X	X	X	X	X	X	X	X	X	X
5	3000-1397	6 Pin Elect. Heat	X	X	X	X	X	X	X	X	X	X
6	8201-015	Relay	X	X	X	X	X	X	X	X	X	X
7	8201-130	Relay		X		X		X		X		X
8	3000-1398	5 Pin Indoor Blower Motor Power	X	X	X	X	X	X	X	X	X	X
9	8408-048	Freeze Protect Thermostat	X	X	X	X	X	X	X	X	X	X
10	135-417	Wire Shield	X	X	X	X	X	X	X	X	X	X
11	8611-006	Ground Terminal	X	X	X	X	X	X	X	X	X	X
12	3000-1231	Compressor Power Plug	X	X	X	X	X	X	X	X	X	X
13	3000-1223	Compressor Solenoid Plug	X	X	X	X	X	X	X	X	X	X
14	5650-044	Solenoid Valve Plug	X	2	X	2	X	2	X	2	X	2
15	8401-002	Contactor 3 Pole 25 Amp	X	X	X	X	X	X	X	X	X	X
16	8201-174BX	3-PH Line Monitor	X	X	X	X	X	X	X	X	X	X
17	8407-065	Transformer 75VA with Circuit Breaker	X	X	X	X	X	X	X	X	X	X
18	8201-166	Fan Logic Control	X	X	X	X	X	X	X	X	X	X
19	8614-052	3.15 Amp Fuse	X	X	X	X	X	X	X	X	X	X
20	8201-113	Dehum Logic Board		X		X		X		X		X
21	8620-223	Defrost Control Board Kit (includes new sensor)	X	X	X	X	X	X	X	X	X	X
22	8620-225	Defrost Sensor Kit	X	X	X	X	X	X	X	X	X	X
23	8408-040	Fan Control Thermistor	X	X	X	X	X	X	X	X	X	X
24	S910-1816	Fan Control Resistor (Optional)	X	X	X	X	X	X	X	X	X	X
25	910-1936	Overflow Switch Assembly	X	X	X	X	X	X	X	X	X	X
26	113-804	Overflow Relay Bracket	X	X	X	X	X	X	X	X	X	X
27	8201-048	Overflow Relay	X	X	X	X	X	X	X	X	X	X
28	8611-094	Indicator Light	X	X	X	X	X	X	X	X	X	X

CONTROL PANEL COMPONENTS - 460V 3 PHASE

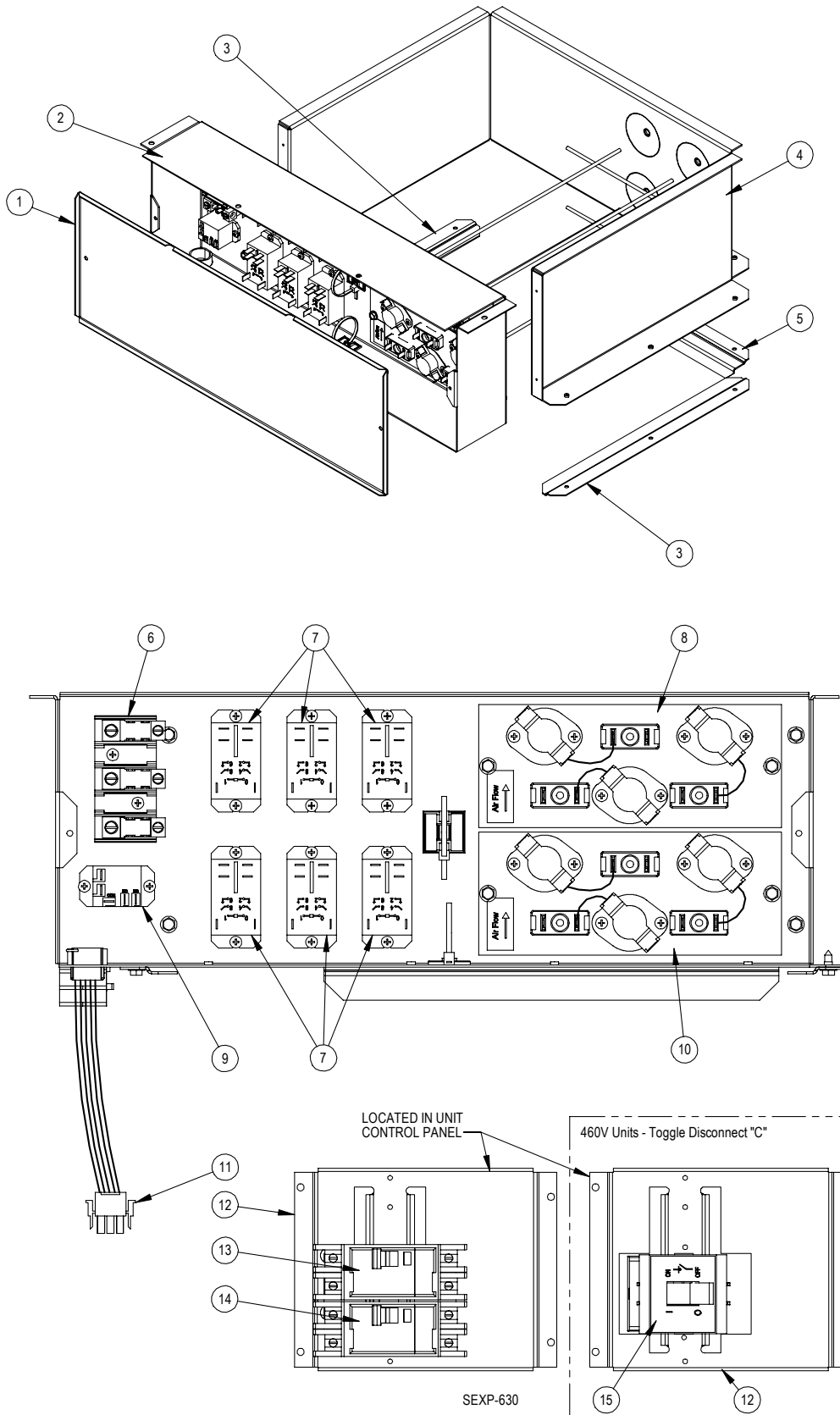


CONTROL PANEL COMPONENTS – 460V 3 PHASE

Drawing No.	Part Number	Description	I30H1-C	I30H1DC	I36H1-C	I36H1DC	I42H1-C	I42H1DC	I48H1-C	I48H1DC	I60H1-C	I60H1DC
1	8607-032	Low Voltage Terminal Strip	X	X	X	X	X	X	X	X	X	X
2	517-441	Control Panel	X	X	X	X	X	X	X	X	X	X
3	3000-1396	16 pin 24V Indoor Blower Motor Control	X	X	X	X	X	X	X	X	X	X
4	117-319	Low Voltage Terminal Box	X	X	X	X	X	X	X	X	X	X
5	3000-1397	6 Pin Elect. Heat	X	X	X	X	X	X	X	X	X	X
6	8201-015	Relay	X	X	X	X	X	X	X	X	X	X
7	8201-130	Relay		X		X		X		X		X
8	8614-041	Fuse Block	X	X	X	X	X	X	X	X	X	X
9	<i>See separate chart below for Item #9</i>											
10	8607-017	Terminal Block	X	X	X	X	X	X	X	X	X	X
11	3000-1398	5 Pin Indoor Blower Motor Power	X	X	X	X	X	X	X	X	X	X
12	8408-048	Freeze Protect Thermostat	X	X	X	X	X	X	X	X	X	X
13	135-417	Wire Shield	X	X	X	X	X	X	X	X	X	X
14	8611-006	Ground Terminal	X	X	X	X	X	X	X	X	X	X
15	3000-1231	Compressor Power Plug	X	X	X	X	X	X	X	X	X	X
16	3000-1223	Compressor Solenoid Plug	X	X	X	X	X	X	X	X	X	X
17	5650-044	Solenoid Valve Plug	X	2	X	2	X	2	X	2	X	2
18	8401-002	Contactors 3 Pole 25 Amp	X	X	X	X	X	X	X	X	X	X
19	8201-174BX	3-PH Line Monitor	X	X	X	X	X	X	X	X	X	X
20	8407-065	Transformer 75VA with Circuit Breaker	X	X	X	X	X	X	X	X	X	X
21	8201-166	Fan Logic Control	X	X	X	X	X	X	X	X	X	X
22	8614-052	3.15 Amp Fuse	X	X	X	X	X	X	X	X	X	X
23	8201-113	Dehum Logic Board		X		X		X		X		X
24	8620-223	Defrost Control Board Kit (includes new sensor)	X	X	X	X	X	X	X	X	X	X
25	8620-225	Defrost Sensor Kit	X	X	X	X	X	X	X	X	X	X
26	8408-040	Fan Control Thermistor	X	X	X	X	X	X	X	X	X	X
27	S910-1816	Fan Control Resistor (Optional)	X	X	X	X	X	X	X	X	X	X
28	910-1936	Overflow Switch Assembly	X	X	X	X	X	X	X	X	X	X
29	113-804	Overflow Relay Bracket	X	X	X	X	X	X	X	X	X	X
30	8201-048	Overflow Relay	X	X	X	X	X	X	X	X	X	X
31	8611-094	Indicator Light	X	X	X	X	X	X	X	X	X	X

		With Vent	No Vent
9	I30H1-C	(2) Part #8614-046 5A Class CC Fuse	(2) Part #8614-047 3.2A Class CC Fuse
	I30H1DC	(2) Part #8614-046 5A Class CC Fuse	(2) Part #8614-047 3.2A Class CC Fuse
	I36H1-C	(2) Part #8614-042 7A Class CC Fuse	(2) Part #8614-046 5A Class Fuse
	I36H1DC	(2) Part #8614-042 7A Class CC Fuse	(2) Part #8614-046 5A Class CC Fuse
	I42H1-C	(2) Part #8614-042 7A Class CC Fuse	(2) Part #8614-046 5A Class CC Fuse
	I42H1DC	(2) Part #8614-042 7A Class CC Fuse	(2) Part #8614-046 5A Class CC Fuse
	I48H1-C	(2) Part #8614-042 7A Class CC Fuse	(2) Part #8614-046 5A Class CC Fuse
	I48H1DC	(2) Part #8614-042 7A Class CC Fuse	(2) Part #8614-046 5A Class CC Fuse
	I60H1-C	(2) Part #8614-043 10A Class CC Fuse	(2) Part #8614-042 7A Class CC Fuse
I60H1DC	(2) Part #8614-043 10A Class CC Fuse	(2) Part #8614-042 7A Class CC Fuse	

ELECTRIC HEATER COMPONENTS



ELECTRIC HEATER COMPONENTS

Drawing No.	Part No.	Description	I30H1-A0Z, I30H1DA0Z	I30H1-A05, I30H1DA05	I30H1-A10, I30H1DA10	I36H1-A0Z, I36H1DA0Z	I36H1-A05, I36H1DA05	I36H1-A10, I36H1DA10	I36H1-A15, I36H1DA15	I42H1-A0Z, I42H1DA0Z	I42H1-A05, I42H1DA05	I42H1-A10, I42H1DA10	I42H1-A15, I42H1DA15	I48H1-A0Z, I48H1DA0Z	I48H1-A04, I48H1DA04	I48H1-A05, I48H1DA05	I48H1-A10, I48H1DA10	I48H1-A15, I48H1DA15	I48H1-A20, I48H1DA20	I60H1-A0Z, I60H1DA0Z	I60H1-A05, I60H1DA05	I60H1-A10, I60H1DA10	I60H1-A15, I60H1DA15	I60H1-A20, I60H1DA20
1	143-148	Heater Box Cover	X	X	X	X	X	X	X	X	X	X	X	X	X	X	X	X	X	X	X	X	X	X
2	117-313	Heater Front Plate	X	X	X	X	X	X	X	X	X	X	X	X	X	X	X	X	X	X	X	X	X	X
3	103-486	Side Blower Offset	2	2	2	2	2	2	2	2	2	2	2	2	2	2	2	2	2	2	2	2	2	2
4	117-307	Heater Wrapper	X	X	X	X	X	X	X	X	X	X	X	X	X	X	X	X	X	X	X	X	X	X
5	103-487	Rear Blower Angle	X	X	X	X	X	X	X	X	X	X	X	X	X	X	X	X	X	X	X	X	X	X
7	8401-036	Contactor 2-Pole 30A		X	2		X	2	3		X	2	2		X	X	2	3	4		X	2	3	4
8	142-159	Heater Blank Off Plate	X	X	X	X	X			X	X	X		X	X	X	X			X	X	X		
	8604-135	Heat Strip 5KW							X				X					X					X	
	8604-136	Heat Strip 10KW																X						X
9	8201-130	Relay		X	X		X	X	X		X	X	X		X	X	X	X	X		X	X	X	X
10	142-159	Heater Blank Off Plate	X			X				X				X						X				
	8604-135	Heat Strip 5KW		X			X				X					X					X			
	8604-136	Heat Strip 10KW			X			X	X			X	X				X	X	X			X	X	X
	8604-134	Heat Strip 4KW													X	X								
11	3003-097	6-Pin Electric Heater Wire Harness		X			X				X				X	X					X			
	3003-099	6-Pin Electric Heater Wire Harness			X			X				X						X					X	
	3003-101	6-Pin Electric Heater Wire Harness							X				X						X					X
	3003-108	6-Pin Electric Heater Wire Harness																	X					X
12	127-607	Circuit Breaker Base	X	X	X	X	X	X	X	X	X	X	X	X	X	X	X	X	X	X	X	X	X	X
13	8615-037	Circuit Breaker 30A 2-Pole			X											X					X			
	8615-041	Circuit Breaker 60A 2-Pole						X	X			X	X				X	X	X			X	X	X
14	8615-038	Circuit Breaker 35A 2-Pole	X																					
	8615-040	Circuit Breaker 50A 2-Pole		X	X									X		X								
	8615-055	Circuit Breaker 40A 2-Pole				X		X	X															
	8615-041	Circuit Breaker 60A 2-Pole					X				X				X				X	X	X	X	X	X
	8615-039	Circuit Breaker 45A 2-Pole									X		X	X				X	X					

NS = Not Shown

ELECTRIC HEATER COMPONENTS

Drawing No.	Part Number	Description	130H1-B0Z, 130H1DB0Z	130H1-B06, 130H1DB06	130H1-B09, 130H1DB09	136H1-B0Z, 136H1DB0Z	136H1-B06, 136H1DB06	136H1-B09, 136H1DB09	136H1-B15, 136H1DB15	142H1-B0Z, 142H1DB0Z	142H1-B06, 142H1DB06	142H1-B09, 142H1DB09	142H1-B15, 142H1DB15	148H1-B0Z, 148H1DB0Z	148H1-B06, 148H1DB06	148H1-B09, 148H1DB09	148H1-B15, 148H1DB15	148H1-B18, 148H1DB18	160H1-B0Z, 160H1DB0Z	160H1-B06, 160H1DB06	160H1-B09, 160H1DB09	160H1-B15, 160H1DB15	160H1-B18, 160H1DB18	
1	143-148	Heater Box Cover	X	X	X	X	X	X	X	X	X	X	X	X	X	X	X	X	X	X	X	X	X	X
2	117-313	Heater Front Plate	X	X	X	X	X	X	X	X	X	X	X	X	X	X	X	X	X	X	X	X	X	X
3	103-486	Side Blower Offset	2	2	2	2	2	2	2	2	2	2	2	2	2	2	2	2	2	2	2	2	2	2
4	117-307	Heater Wrapper	X	X	X	X	X	X	X	X	X	X	X	X	X	X	X	X	X	X	X	X	X	X
5	103-487	Rear Blower Angle	X	X	X	X	X	X	X	X	X	X	X	X	X	X	X	X	X	X	X	X	X	X
6	8607-014	Terminal Block																X						X
7	8401-036	Contacto 2-Pole 30A		3	3		3	3	6		3	3	6		3	3	6	6		3	3	6	6	
8	142-159	Heater Blank Off Plate	X	X	X	X	X	X		X	X	X		X	X	X			X	X	X			
	8604-137	Heat Strip 6KW							X				X				X						X	
	8604-138	Heat Strip 9KW															X							X
9	8201-130	Relay		X	X		X	X	X		X	X	X		X	X	X	X	X		X	X	X	X
10	142-159	Heater Blank Off Plate	X			X				X				X					X					
	8604-137	Heat Strip 6KW		X			X				X				X					X				
	8604-138	Heat Strip 9KW			X			X	X			X	X			X	X	X	X			X	X	X
11	3003-103	6-Pin Electric Heater Wire Harness		X	X		X	X			X	X			X	X				X	X			
	3000-105	6-Pin Electric Heater Wire Harness							X				X				X	X					X	X
12	127-607	Circuit Breaker Base	X	X	X		X	X	X	X	X	X	X	X	X	X	X	X	X	X	X	X	X	X
13	8615-046	Circuit Breaker 60A 3-Pole							X				X				X						X	X
14	8615-051	Circuit Breaker 25A 3-Pole	X																					
	8615-042	Circuit Breaker 35A 3-Pole		X						X				X										
	8615-052	Circuit Breaker 30A 3-Pole				X																		
	8615-044	Circuit Breaker 45A 3-Pole			X		X		X				X				X		X				X	X
	8615-045	Circuit Breaker 50A 3-Pole						X			X				X									
	8615-046	Circuit Breaker 60A 3-Pole										X				X		X		X	X			

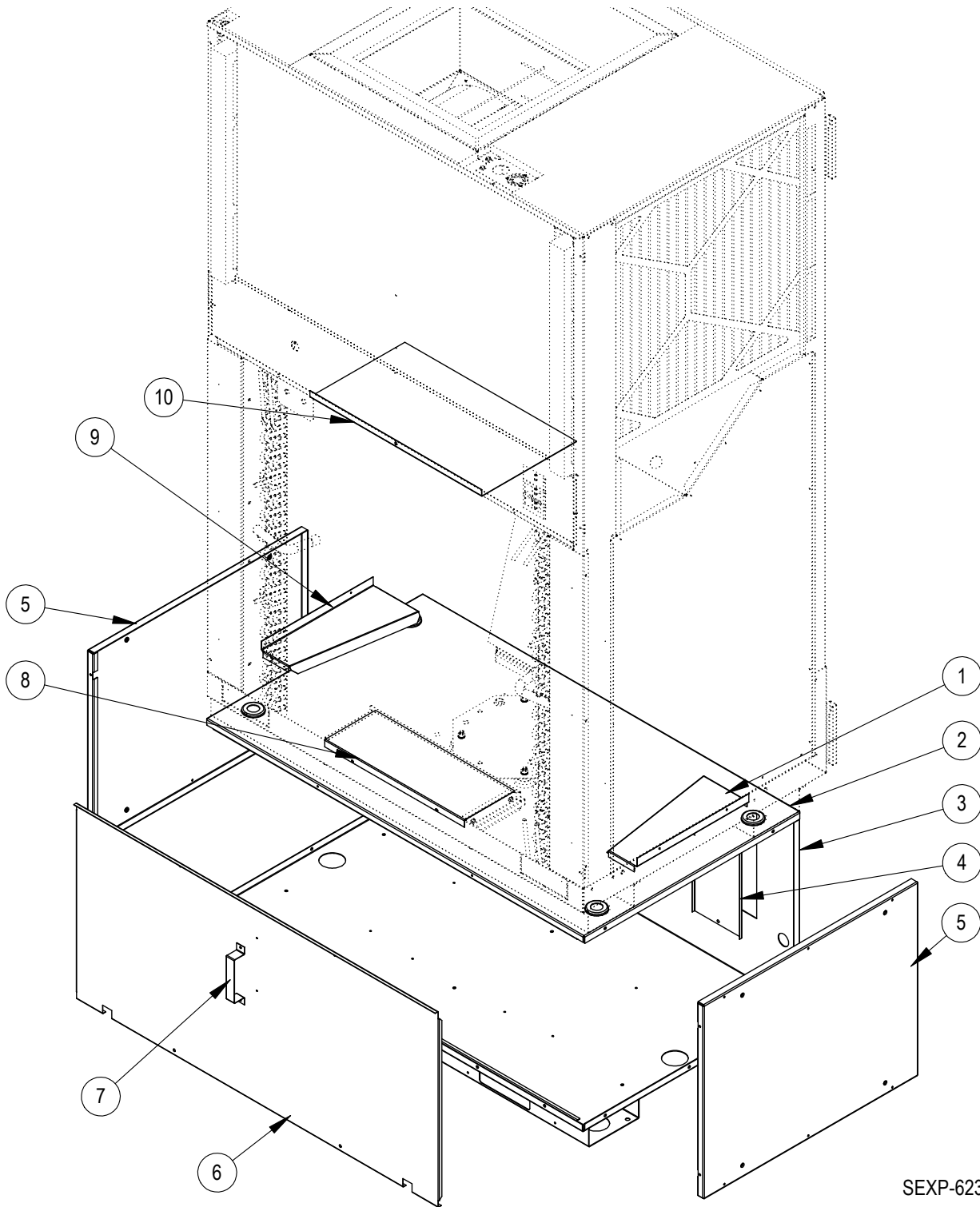
NS = Not Shown

ELECTRIC HEATER COMPONENTS

Drawing No.	Part Number	Description	I30H1-C0Z, I30H1DC0Z	I30H1-C06, I30H1DC06	I30H1-C09, I30H1DC09	I36H1-C0Z, I36H1DC0Z	I36H1-C06, I36H1DC06	I36H1-C09, I36H1DC09	I36H1-C15, I36H1DC15	I36H1DC15NPD114	I42H1-C0Z, I42H1DC0Z	I42H1-C06, I42H1DC06	I42H1-C09, I42H1DC09	I42H1-C15, I42H1DC15	I48H1-C0Z, I48H1DC0Z	I48H1-C06, I48H1DC06	I48H1-C09, I48H1DC09	I48H1-C15, I48H1DC15	I48H1-C18, I48H1DC18	I60H1-C0Z, I60H1DC0Z	I60H1-C06, I60H1DC06	I60H1-C09, I60H1DC09	I60H1-C15, I60H1DC15	I60H1-C18, I60H1DC18	
1	143-148	Heater Box Cover	X	X	X	X	X	X	X	X	X	X	X	X	X	X	X	X	X	X	X	X	X	X	X
2	117-313	Heater Front Plate	X	X	X	X	X	X	X	X	X	X	X	X	X	X	X	X	X	X	X	X	X	X	X
3	103-486	Side Blower Offset	2	2	2	2	2	2	2	2	2	2	2	2	2	2	2	2	2	2	2	2	2	2	2
4	117-307	Heater Wrapper	X	X	X	X	X	X	X	X	X	X	X	X	X	X	X	X	X	X	X	X	X	X	X
5	103-487	Rear Blower Angle	X	X	X	X	X	X	X	X	X	X	X	X	X	X	X	X	X	X	X	X	X	X	X
6	8607-014	Terminal Block							X	X				X				X						X	
7	8401-036	Contacto 2-Pole 30A		2	2		2	2	6	6		2	2	6		2	2	6	4		2	2	6	4	
8	142-159	Heater Blank Off Plate	X	X	X	X	X	X			X	X	X		X	X	X			X	X	X			
	8604-139	Heat Strip 6KW							X	X				X				X						X	
	8604-140	Heat Strip 9KW																X							X
9	8201-130	Relay		X	X		X	X	X	X		X	X	X		X	X	X	X		X	X	X	X	X
10	142-159	Heater Blank Off Plate	X			X					X				X					X					
	8604-139	Heat Strip 6KW		X			X					X			X						X				
	8604-140	Heat Strip 9KW			X			X	X	X			X	X			X	X	X				X	X	X
11	3003-099	6-Pin Electric Heater Wire Harness		X	X		X	X				X	X			X	X				X	X			
	3003-108	6-Pin Electric Heater Wire Harness							X	X				X				X	X					X	X
12	127-418	Disconnect Base	X	X	X	X	X	X	X	X	X	X	X	X	X	X	X	X	X	X	X	X	X	X	X
15	8615-095	Toggle Disconnect 40A 460V	X	X	X	X	X	X			X	X	X	X	X	X	X	X	X	X	X	X	X	X	X
15	8615-077	Circuit Breaker, 30A, 3-Pole, 460V							X																
NS	8615-069	Toggle Disconnect Cover Plate	X	X	X	X	X	X			X	X	X	X	X	X	X	X	X	X	X	X	X	X	X

NS = Not Shown

VENT BOX (ONLY) COMPONENTS

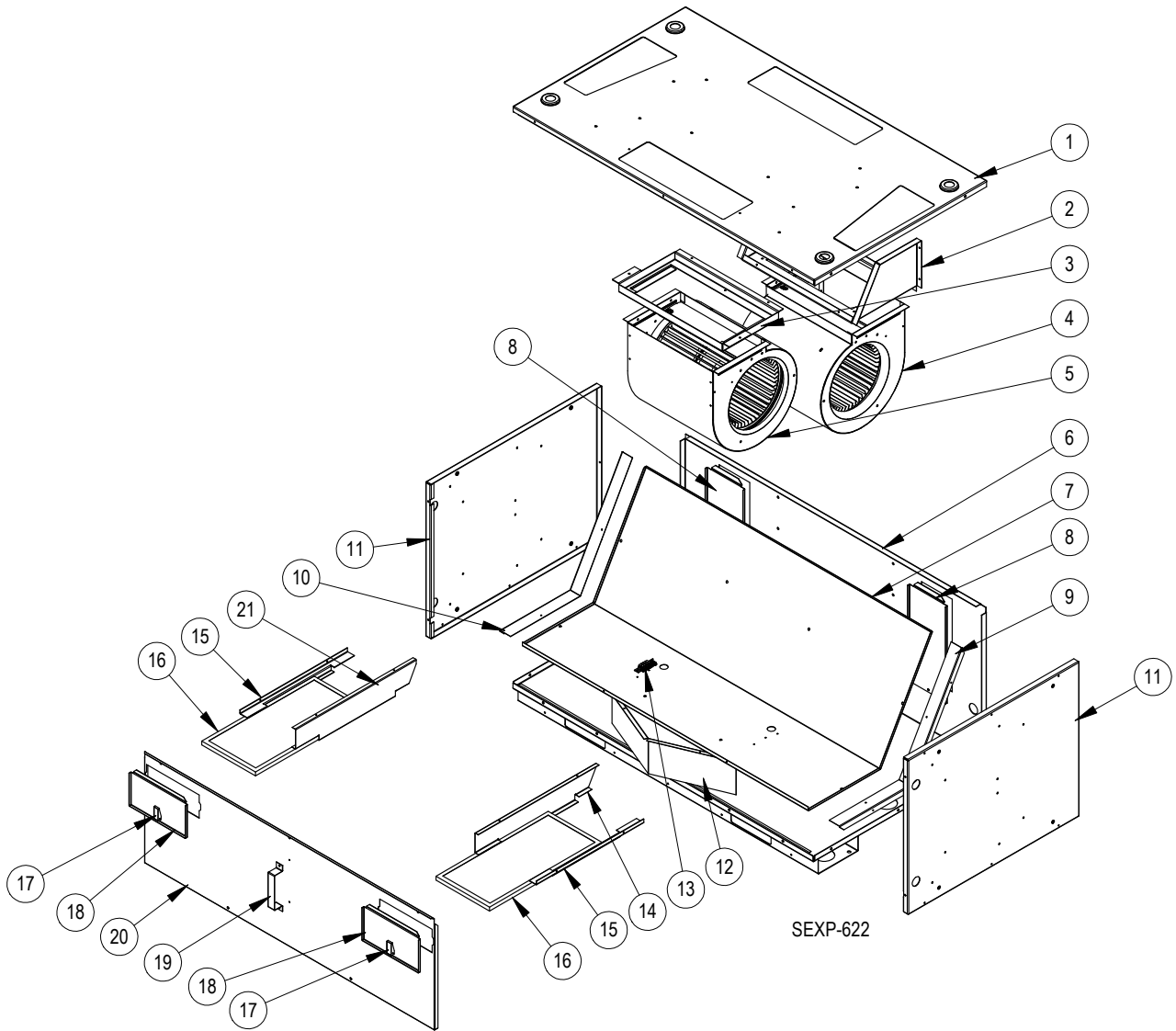


SEXP-623

VENT BOX (ONLY) COMPONENTS

Drawing No.	Part Number	Description	Vent Box Only
1	S143X164	Right Side Intake Fill	X
2	507-298	Vent Box Top	X
3	S527-419	Vent Box Base	X
4	543-158	Drain Access Plate	2
5	S501-639	Vent Box Side	2
6	553-508	Vent Box Door	X
7	113-441	Door Latch Bracket	X
8	S143-160	Lower Intake Fill	X
9	S143Y164	Left Side Intake Fill	X
10	S143-161	Upper Intake Fill	X

CRV COMPONENTS

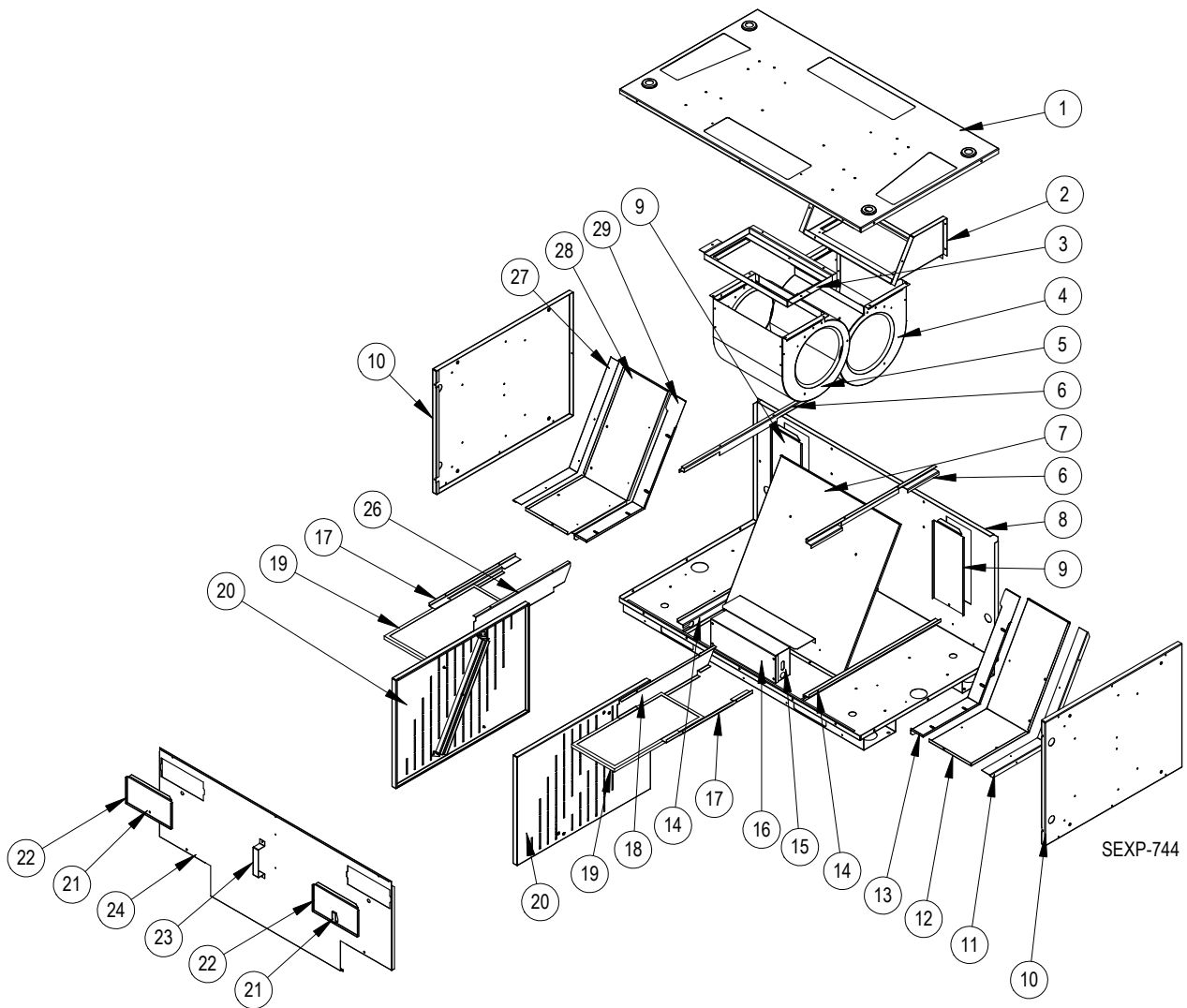


CRV COMPONENTS

Drawing No.	Part Number	Description	CRV 920-0012	
			ERV/ECON	920-0196
1	S507-297	Vent Box Top	X	X
2	103-489	Rear Blower Offset	X	X
3	103-488	Front Blower Offset	X	X
4	900-403-0264BX	Exhaust Blower Assembly	X	
4	900-403-0268BX	Exhaust Blower Assembly		X
5	900-403-0265BX	Intake Blower Assembly	X	
5	900-403-0269BX	Intake Blower Assembly		X
6	S527-419	Vent Box Base	X	X
7	521-459	Partition	X	X
8	543-158	Drain Access Plate	2	2
9	505X1260	Right Partition Angle	X	X
10	505Y1260	Left Partition Angle	X	X
11	S501-638	Vent Box Side	2	2
12	569-179	Baffle	X	X
13	S910-1809	Terminal Block Assembly	X	X
14	141X382	Right Lower Filter Bracket	X	X
15	141-381	Filter Angle	2	X
16	7003-064	Vent Intake Filter	2	2
17	1171-053	Swell Latch	2	2
18	S153-506	Filter Door	2	2
19	113-441	Door Latch Bracket	X	X
20	S553-507	Blower Door	X	X
21	141Y382	Left Lower Filter Bracket	X	X
NS	3000-1403	Intake/Exhaust Power Plug	X	X
NS	3000-1404	Intake/Exhaust Speed Plug	2	
NS	3000-1445	Intake/Exhaust Speed Plug		X
NS	3000-1406	Vent Section Plug	X	
NS	3000-1446	Vent Section Plug		X
NS	3000-1411	Unit Control Panel Plug	X	
NS	3000-1447	Unit Control Panel Plug		X
NS	8201-062	Relay (in unit control panel)	X	
NS	8201-130	Relay, SPDT (in unit control panel)		3
NS	8201-071	Relay, 3PDT (in unit control panel)		X
NS	8408-047	Outdoor Thermostat (beside outdoor coil)		X

NS = Not Shown

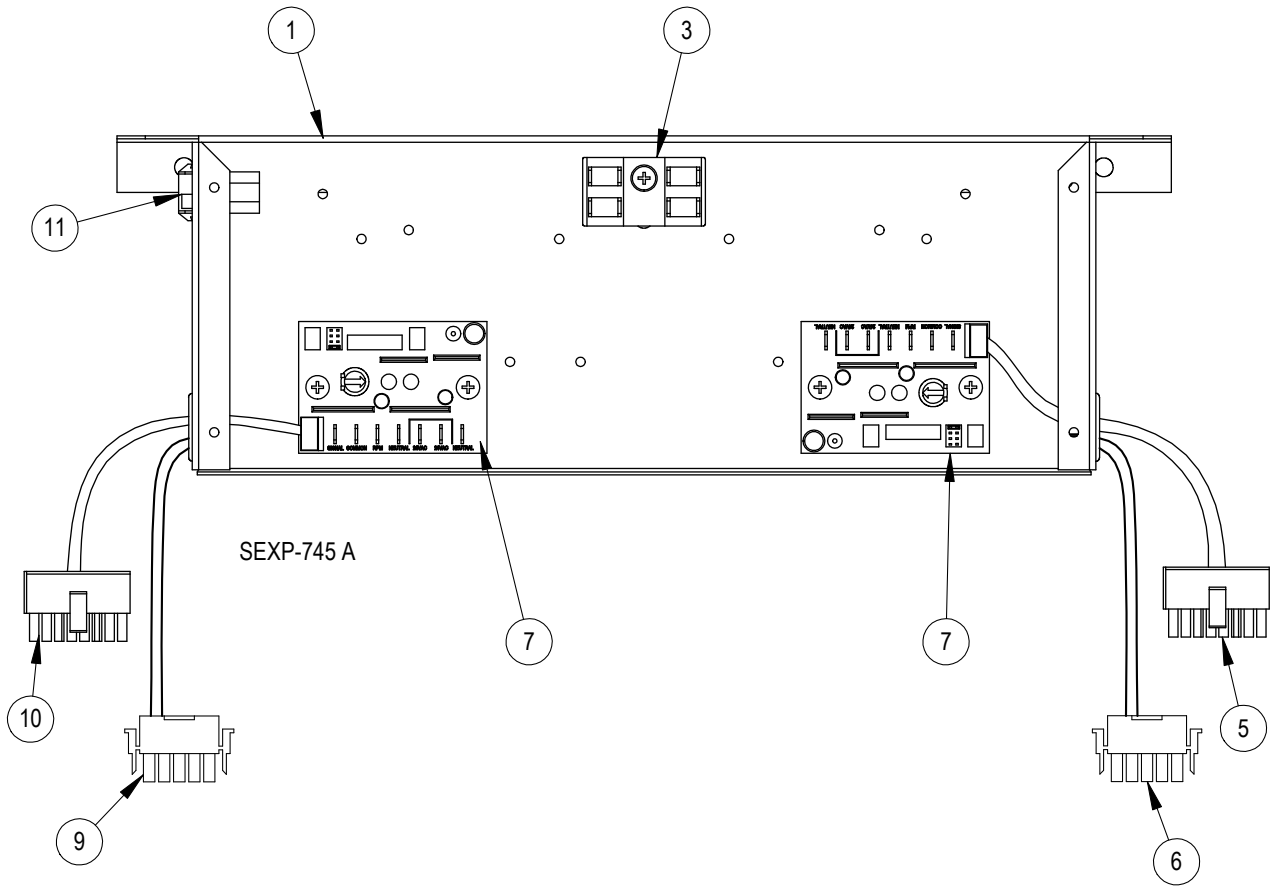
MODULATING CRV COMPONENTS



MODULATING CRV COMPONENTS

Drawing No.	Part Number	Description	Modulating CRV
1	S507-297	Vent Box Top	X
2	103-489	Rear Blower Offset	X
3	103-488	Front Blower Offset	X
4	900-319-0140BX	Exhaust Blower Assembly	X
5	900-319-0141BX	Intake Blower Assembly	X
6	141-379	Cassette Upper Rail	2
7	521-457	Partition	X
8	S527-419	Vent Box Base	X
9	543-158	Drain Access Plate	2
10	S501-638	Vent Box Side	2
11	505X1260	Right Partition Angle	X
12	521-464	Right Side Partition	X
13	S105X1258	Right Cassette Seal Angle	X
14	141-380	Cassette Lower Rail	2
15	Control Panel	See Control Panel section	x
16	153-511	Control Panel Cover	X
17	141-381	Filter Angle	2
18	141X382	Right Lower Filter Bracket	X
19	7003-064	Vent Intake Filter	2
20	139-332	Restrictor Plate	2
21	1171-053	Swell Latch	2
22	S153-506	Filter Door	2
23	113-441	Door Latch Bracket	X
24	S553-505	Cassette Door	X
26	141Y382	Left Lower Filter Bracket	X
27	105Y1260	Left Partition Angle	X
28	521-465	Left Side Partition	X
29	S105Y1258	Left Cassette Seal Angle	X

MODULATING CRV CONTROL PANEL COMPONENTS

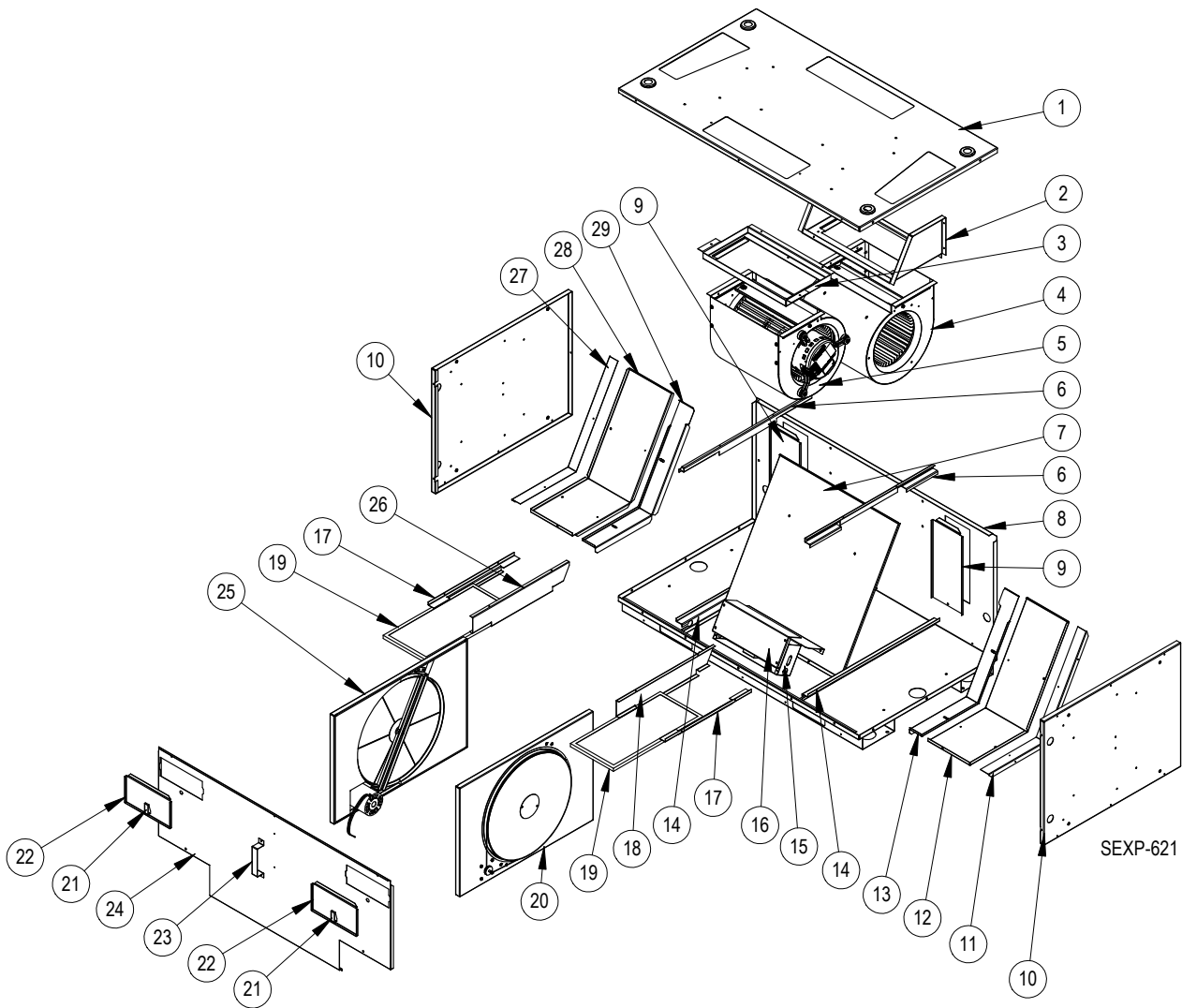


MODULATING CRV CONTROL PANEL COMPONENTS

Drawing No.	Part Number	Description	Modulating CRV Control Panel
1	117-323	Control Panel	X
3	8607-017	Terminal Block	X
5	3000-1358	Intake Speed Plug	X
6	3000-1331	Intake Plover Plug	X
7	8201-124	Blower Control Board	2
9	3000-1356	Exhaust Power Plug	X
10	3000-1407	Exhaust Speed Plug	X
11	3000-1409	Vent Section Plug	X
NS	3000-1408	Extension Plug	X
NS	3000-1405	Unit Control Panel Plug	X
NS	8201-013	Relay (in unit Control Panel)	X

NS = Not Shown

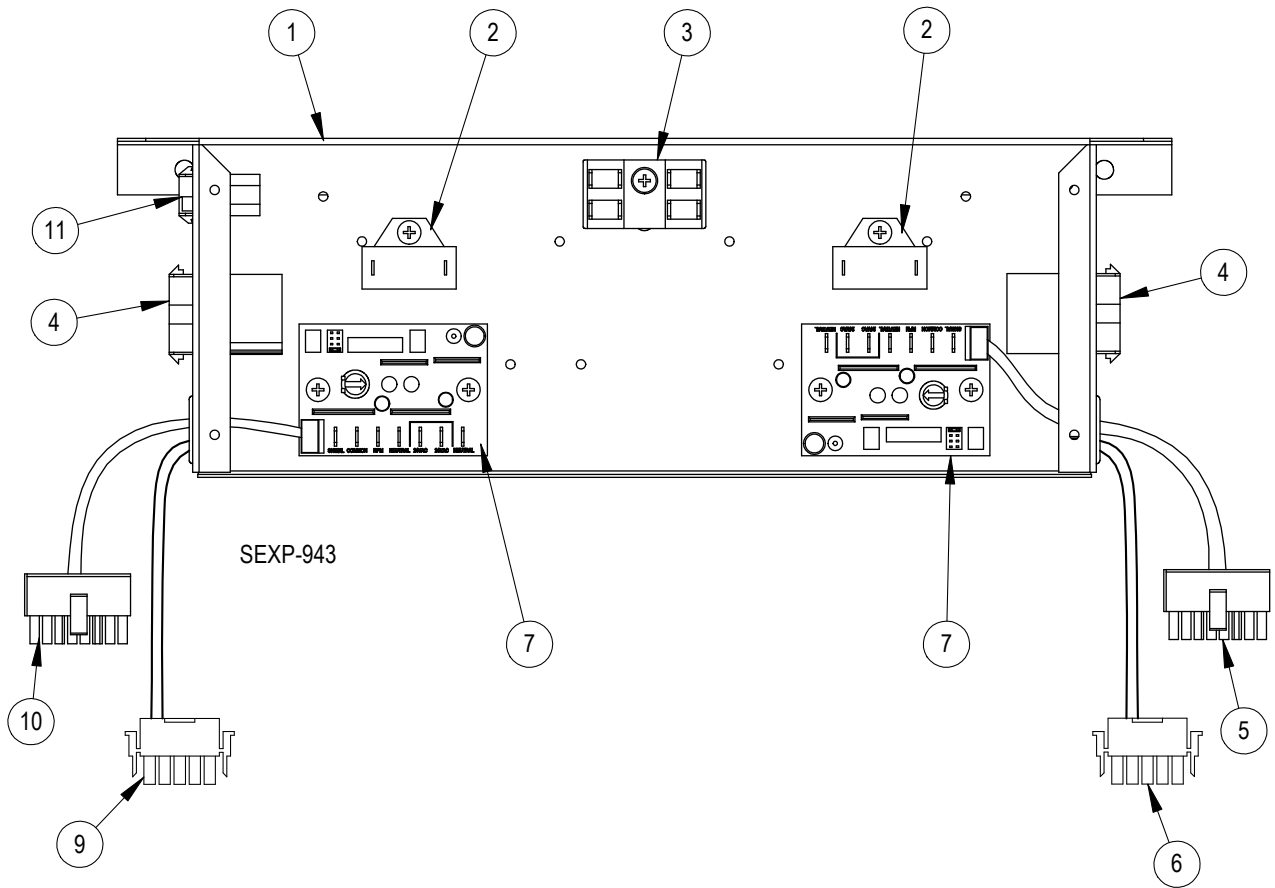
ERV COMPONENTS



ERV COMPONENTS

Drawing No.	Part Number	Description	ERV
1	S507-297	Vent Box Top	X
2	103-489	Rear Blower Offset	X
3	103-488	Front Blower Offset	X
4	900-319-0106BX	Exhaust Blower Assembly	X
5	900-319-0107BX	Intake Blower Assembly	X
6	141-379	Cassette Upper Rail	2
7	521-457	Partition	X
8	S527-419	Vent Box Base	X
9	543-158	Drain Access Plate	2
10	S501-638	Vent Box Side	2
11	505X1260	Right Partition Angle	X
12	521-464	Right Side Partition	X
13	S105X1258	Right Cassette Seal Angle	X
14	141-380	Cassette Lower Rail	2
15	Control Panel	See Control Panel section	x
16	153-511	Control Panel Cover	X
17	141-381	Filter Angle	2
18	141X382	Right Lower Filter Bracket	X
19	7003-064	Vent Intake Filter	2
20	5070-055	Right Cassette Assembly - Complete See cassette section for individual parts	X
21	1171-053	Swell Latch	2
22	S153-506	Filter Door	2
23	113-441	Door Latch Bracket	X
24	S553-505	Cassette Door	X
25	5070-056	Left Cassette Assembly - Complete See cassette section for individual parts	X
26	141Y382	Left Lower Filter Bracket	X
27	105Y1260	Left Partition Angle	X
28	521-465	Left Side Partition	X
29	S105Y1258	Left Cassette Seal Angle	X

ERV CONTROL PANEL COMPONENTS

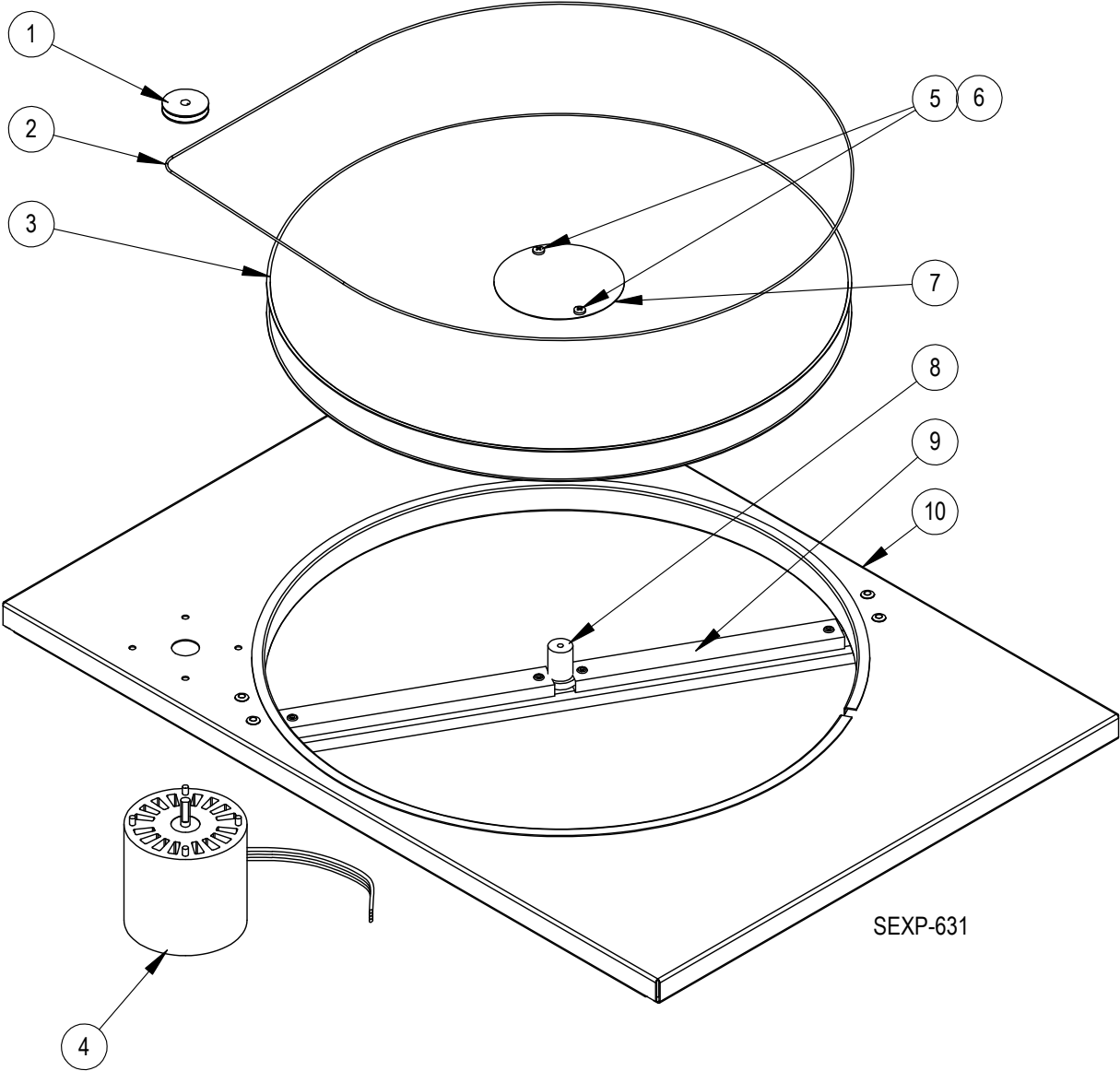


ERV CONTROL PANEL COMPONENTS

Drawing No.	Part Number	Description	ERV Control Panel
1	117-323	Control Panel	X
2	8552-073	3MFD 250V Capacitor	2
3	8607-017	Terminal Block	X
4	3000-1648	Cassette Motor Plug	2
5	3000-1358	Intake Speed Plug	X
6	3000-1331	Intake Plower Plug	X
7	8201-124	Blower Control Board	2
9	3000-1356	Exhaust Power Plug	X
10	3000-1407	Exhaust Speed Plug	X
11	3000-1409	Vent Section Plug	X
NS	3000-1408	Extension Plug	X
NS	3000-1405	Unit Control Panel Plug	X
NS	8201-013	Relay (in unit Control Panel)	X

NS = Not Shown

ERV CASSETTE COMPONENTS

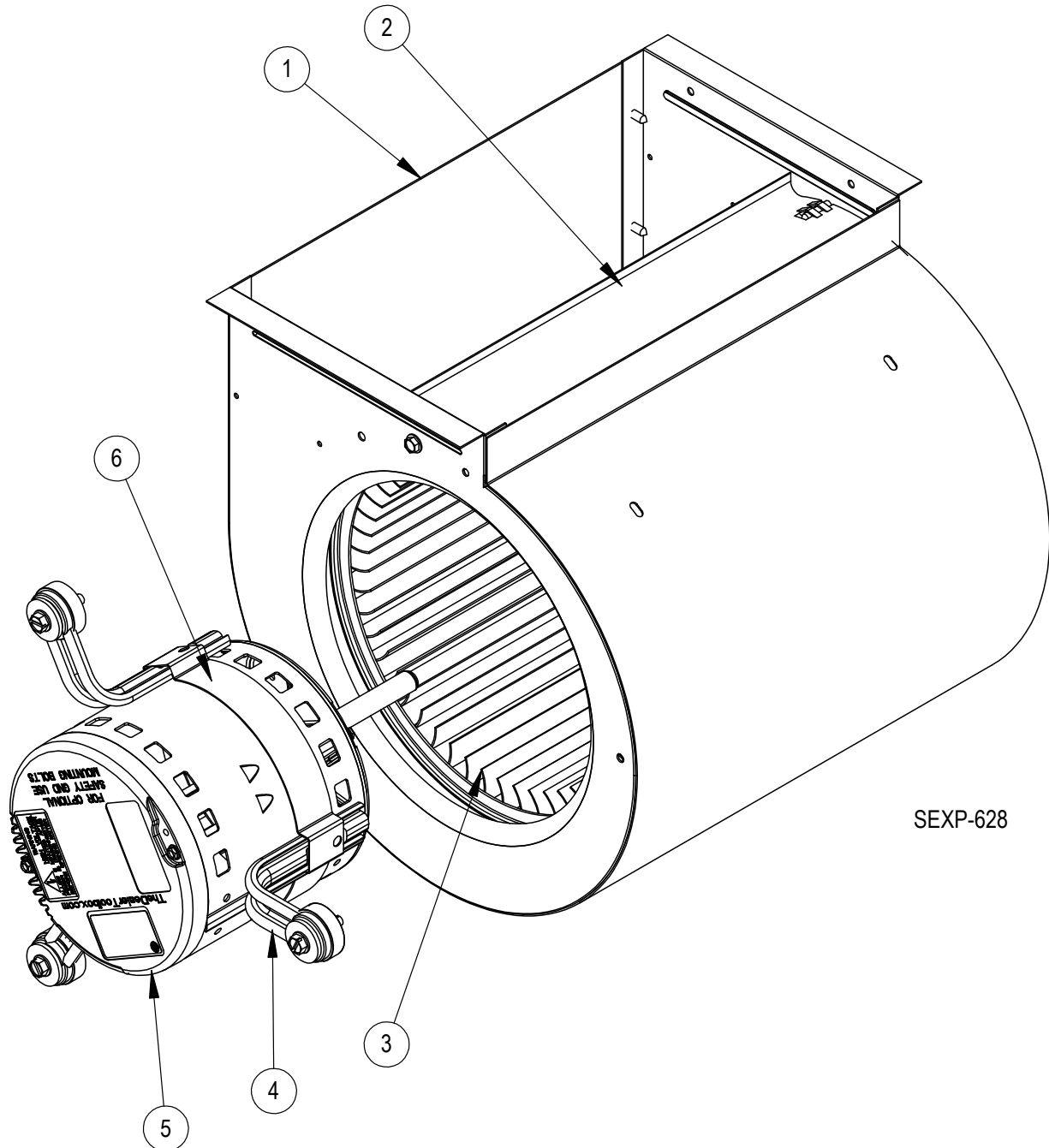


ERV CASSETTE COMPONENTS

Drawing No.	Part Number	Description	5070-055 Right Cassette	5070-056 Left Cassette
1	5501-018	Pulley	X	X
2	5070-054	Drive Belt	X	X
3	5070-043	Cassette Wheel	X	X
4	8101-021	Motor	X	X
5	1012-164	Machine Screw	2	2
6	8611-111	Nylon Spacer	2	2
7	142-104	Hub Cover	X	X
8	1912-012	Wheel Shaft	X	X
9	105-1259	Cassette Wheel Angle	X	X
10	539X275	Right Hand Cassette Plate	X	
10	539Y275	Left Hand Cassette Plate		X
NS	8620-204	ERV Bearing, Shaft & Hardware Kit	X	X
NS	8620-205	ERV Shaft & Hardware Kit	X	X

NS = Not Shown

CRV/ERV BLOWER COMPONENTS

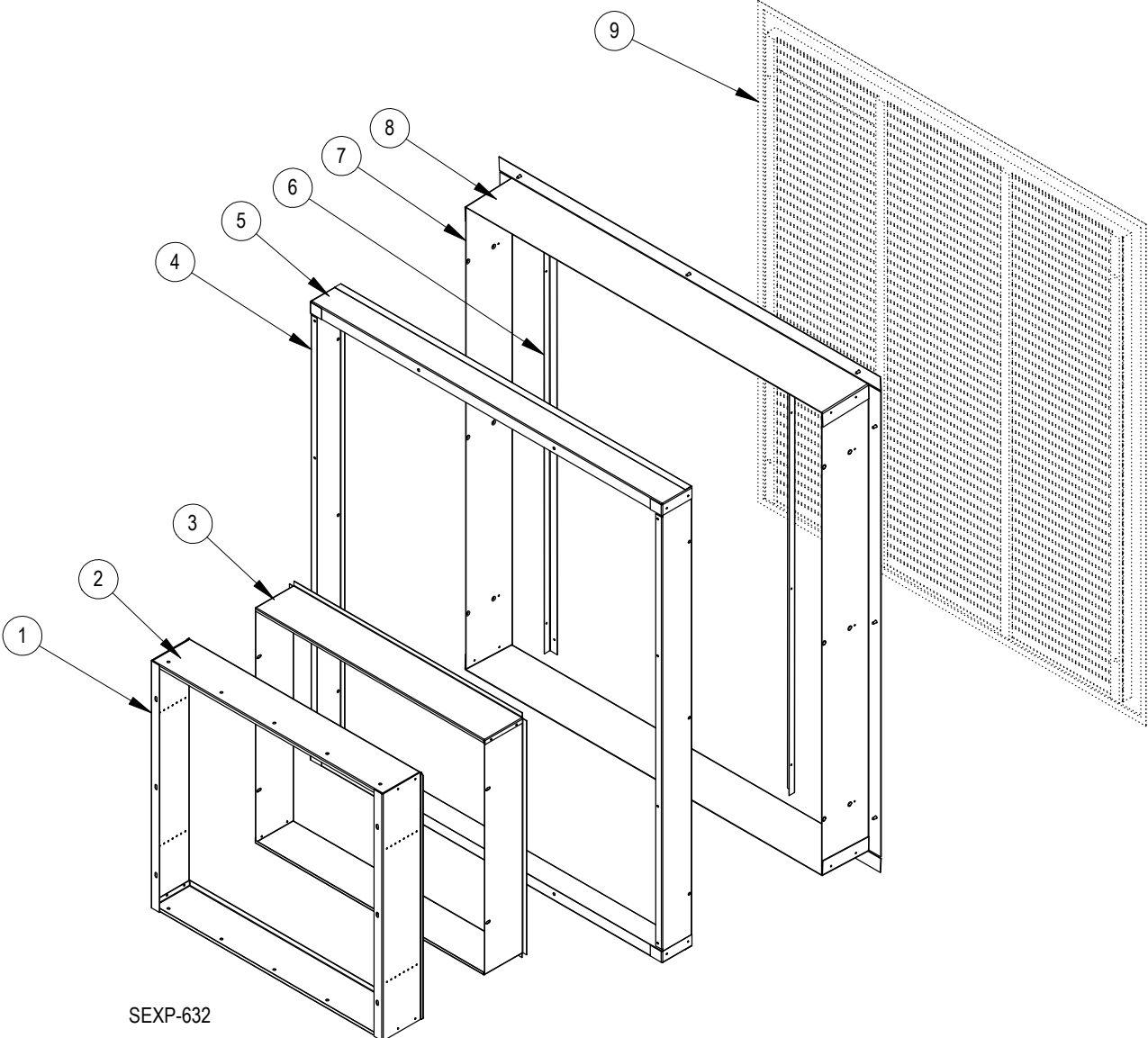


SEXP-628

CRV/ERV BLOWER COMPONENTS

Drawing No.	Part Number	Description	900-403-0264BX	900-403-0265BX	900-403-0268BX	900-403-0269BX	900-319-0106BX	900-319-0107BX	900-319-0140BX	900-319-0141BX
1	151-124	Blower Housing	X	X	X	X	X	X	X	X
2	144-129	Diffuser	X	X	X	X	X	X	X	X
3	5152-067	Blower Wheel	X	X	X	X	X	X	X	X
4	8200-046	Motor Mount Arm	3	3	3	3	3	3	3	3
5	8105-079-264BX	1/3 HP Programmed Motor – CRV Exhaust	X							
5	8105-079-265BX	1/3 HP Programmed Motor – CRV Intake		X						
5	8105-079-268BX	1/3 HP Programmed Motor – CRV Exhaust			X					
5	8105-079-269BX	1/3 HP Programmed Motor – CRV Intake				X				
5	8105-076-0106BX	1/3 HP Programmed Motor – ERV Exhaust					X			
5	8105-076-0107BX	1/3 HP Programmed Motor – ERV Intake						X		
5	8105-076-0140BX	1/3 HP Programmed Motor – Mod. CRV Exhaust							X	
5	8105-076-0141BX	1/3 HP Programmed Motor – Mod. CRV Intake								X
6	8620-034	Motor Mount Band	X	X	X	X	X	X	X	X

SLEEVE COMPONENTS

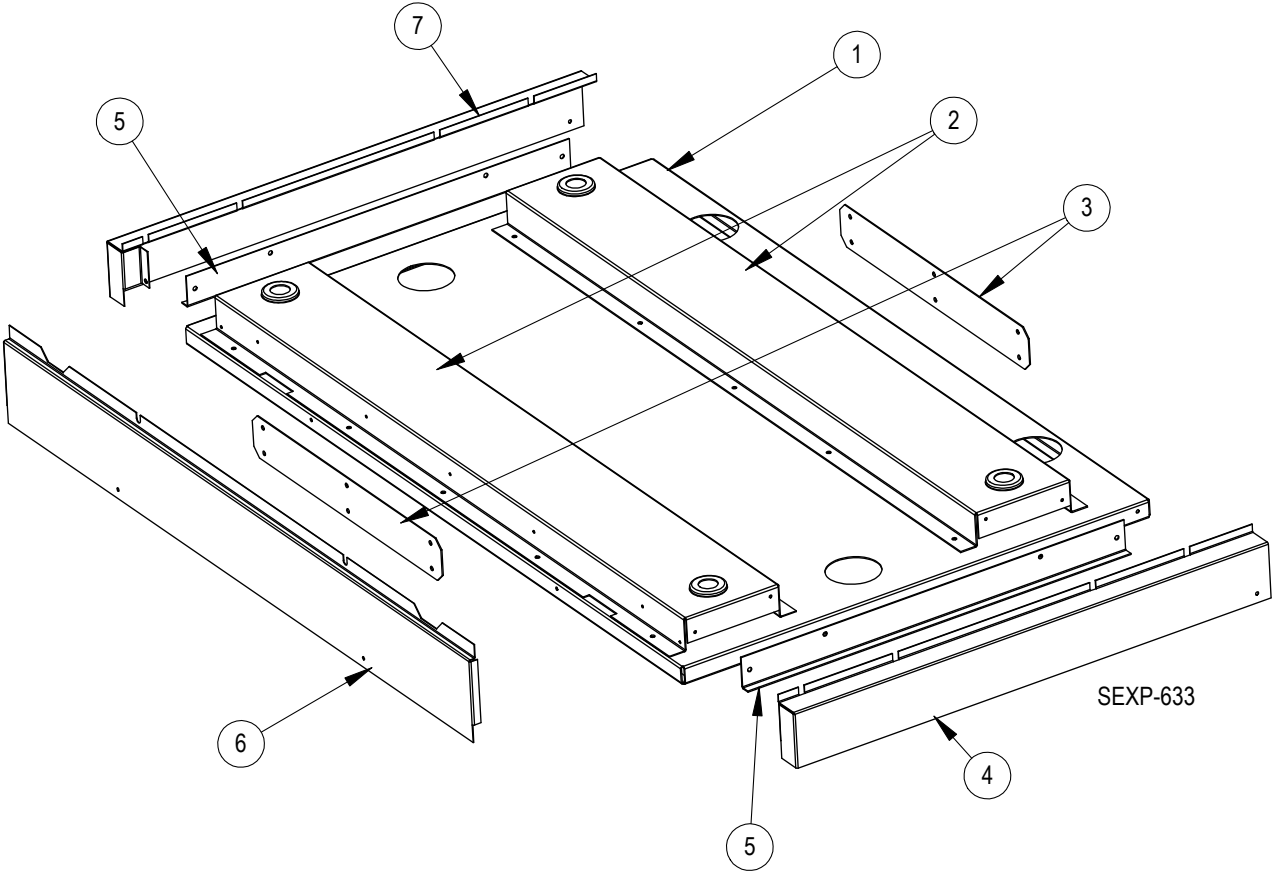


SEXP-632

SLEEVE COMPONENTS

Drawing No.	Part Number	Description	IWS-A	IWS-B	IWS-C
1	S111-188-8 4½" Deep	Outer Sleeve Side	2		
	S111-195-8 7" Deep			2	
	S111-202-8 12" Deep				2
2	S111-187-8 4½" Deep	Outer Sleeve End	2		
	S111-194-8 7" Deep			2	
	S111-201-8 12" Deep				2
3	111-189-8 4½" Deep	Inner Fan Sleeve Side	2		
	111-196-8 7" Deep			2	
	111-203-8 12" Deep				2
4	111-186-8 3½" Deep	Inner Sleeve Side	2		
	111-193-8 6" Deep			2	
	111-200-8 11" Deep				2
5	111-185-8 3½" Deep	Inner Sleeve End	2		
	111-192-8 6" Deep			2	
	111-199-8 11" Deep				2
6	105-1257-8	Grille Support Angle	2	2	2
7	111-184-8 5½" Deep	Outer Sleeve Side	2		
	111-191-8 8" Deep			2	
	111-198-8 13" Deep				2
8	111-183-8 5½" Deep	Outer Sleeve End	2		
	111-190-8 8" Deep			2	
	111-197-8 13" Deep				2
9	ILG-10	Outdoor Louver Grille - Clear anodized	X	X	X
	ILG-20	Outdoor Louver Grille - Medium Bronze	X	X	X
	ILG-30	Outdoor Louver Grille - Dark Bronze	X	X	X

RISER PLATFORM COMPONENTS



RISER PLATFORM COMPONENTS

Drawing No.	Part Number	Description	IRP-3-*	IRP-6-*
1	127-420-X	Base Plate	X	X
2	141-384 3" 141-385 6"	Base Rail	2	2
3	112-447	Base Connection Plate	2	2
4	135-311-* 3" 135-314-* 6"	Right Side Trim	X	X
5	105-1263 3" 105-1264 6"	Side Support Angle	2	2
6	135-309-* 3" 135-312-* 6"	Front Trim	X	X
7	135-310-* 3" 135-313-* 6"	Left Side Trim	X	X

* Exterior cabinet parts are manufactured with various paint color options. To ensure the proper paint color is received, reference the following codes:

Beige -X
White -1
Buckeye Gray -4