

---

# REPLACEMENT PARTS MANUAL

---

## COMMERCIAL ROOM VENTILATOR WITH SPRING RETURN AND EXHAUST

Models:

WCRVPS2P WCRVPS3P WCRVPS5P WCRVPS6P

---

### General Notes

- Revised and/or additional pages may be issued from time to time.
- A complete and current manual consists of pages shown in the following contents section.

### Important

- Contact the installing and/or local distributor for all parts requirements. Make sure to have the complete model and serial number available from the unit rating plates.

### Contents

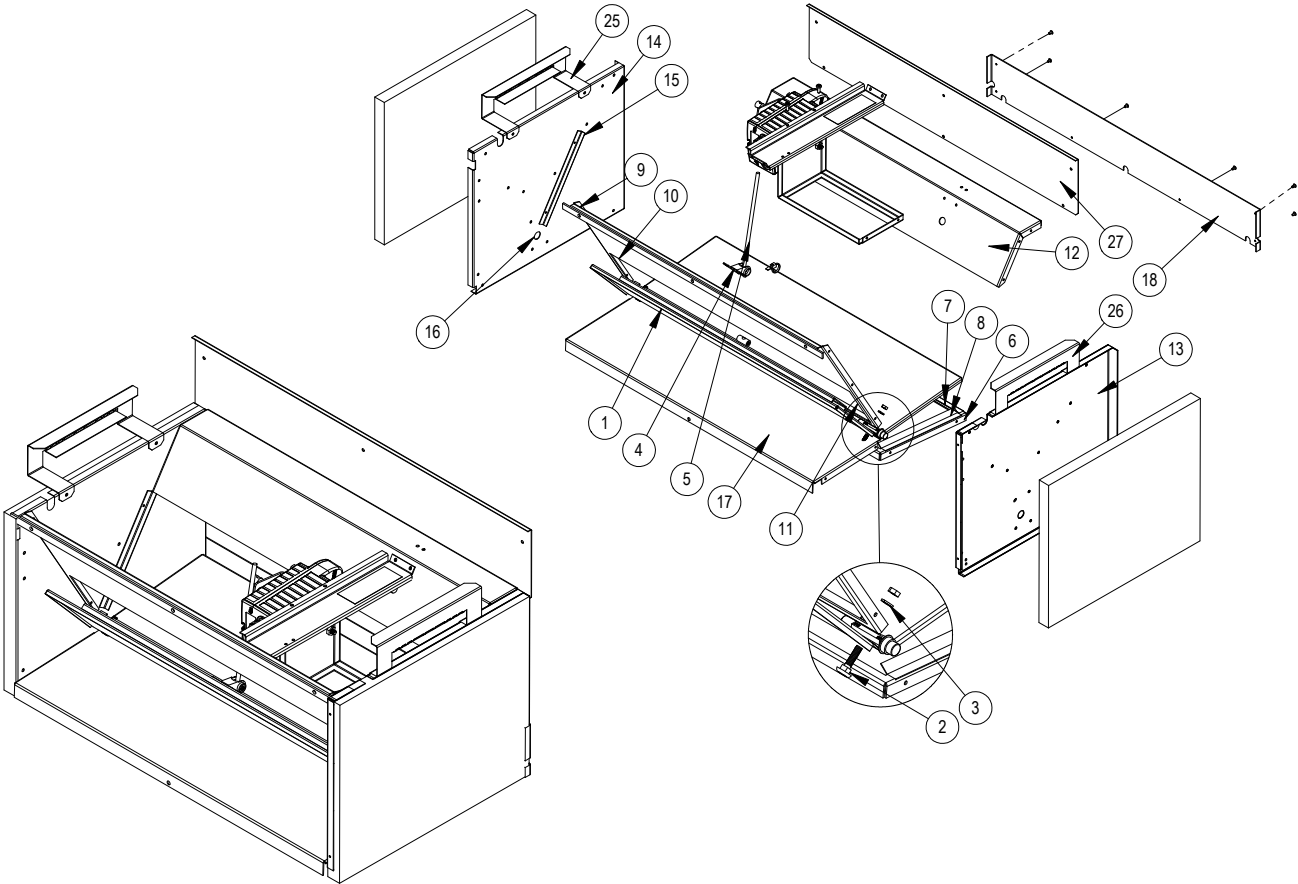
Description	Page
WCRVPS2P, WCRVPS3P Commercial Room Ventilator	
♦ Exploded View .....	2
♦ Usage List .....	3
WCRVPS5P, WCRVPS6P Commercial Room Ventilator	
♦ Exploded View .....	4
♦ Usage List .....	5
Control Panel Assembly	
♦ Exploded View .....	6
♦ Usage List .....	7
Actuator Assembly	
♦ Exploded View .....	8
♦ Usage List .....	9

---

BMC, Inc.  
Bryan, Ohio 43506

Manual: 2110-1539  
Supersedes: **NEW**  
Date: 2-14-17

# WCRVPS2P, WCRVPS3P COMMERCIAL ROOM VENTILATOR



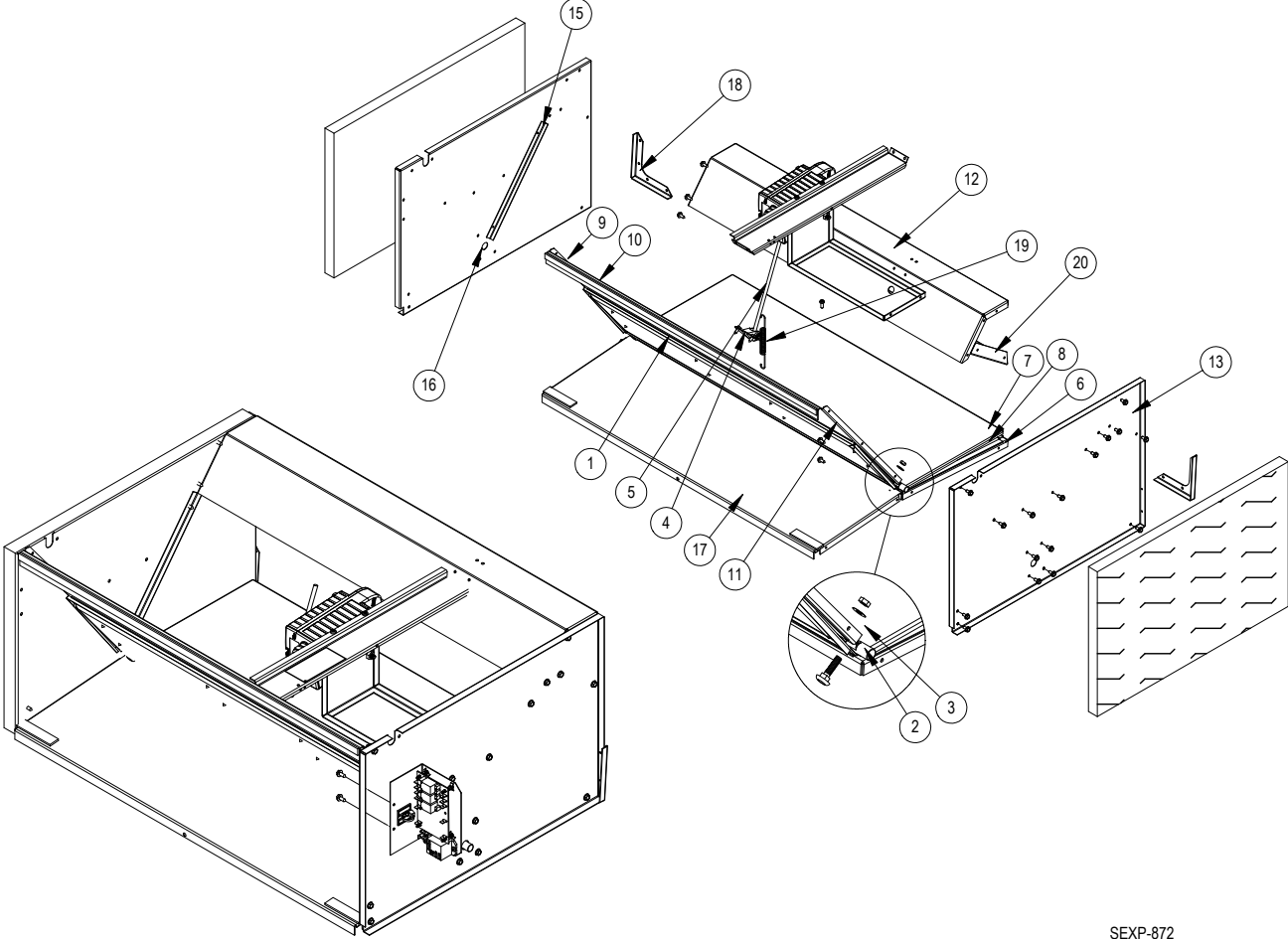
SEXP-873

## WCRVPS2P, WCRVPS3P COMMERCIAL ROOM VENTILATOR

Drawing No.	Part No.	Description	WCRVPS2P	WCRVPS3P
1	S139-348	Blade Assembly	X	
1	S139-352	Blade Assembly		X
2	8602-038	DBP-1 Damper Pin with Bolt, Washer and Nut	2	2
3	1012-126	1/4" Type "A" Washer	2	2
4	8602-040	BKP-24 Bracket with Rod Connector and Set Screw	X	X
5	8602-044	1/4" x 7-1/2" Rod	X	X
6	137-744	Lower Rear Partition	X	
6	137-740	Lower Rear Partition		X
7	S1921-067-2010	Damper Blade Seal	3	
7	S1921-067-2510	Damper Blade Seal		3
8	S1921-067-0802	Damper Blade Seal	2	2
9	137-868	Upper Front Partition	X	
9	137-828	Upper Front Partition		X
10	S1921-067-2006	Damper Blade Seal	2	
10	S1921-067-2506	Damper Blade Seal		2
11	S1921-067-0410	Damper Blade Seal	2	2
12	137-864	Upper Rear Partition	X	
12	137-865	Upper Rear Partition		X
13	101X955	Right Side Assembly, Insulated	X	X
14	101Y955	Left Side Assembly, Insulated	X	X
15	S1921-067-0800	Damper Blade Seal	2	2
16	8602-052	1/2" I.D. Bronze Bushing	2	2
17	137-869	Lower Front Partition	X	
17	137-829	Lower Front Partition		X
18	137-874	Lower Rear Fill	2	
18	137-873	Lower Rear Fill		2
25	113-542	Long Filter Bracket	X	X
26	113-543	Short Filter Bracket	X	X
27	137-748	Upper Rear Fill	X	
27	137-746	Upper Rear Fill		X
NS	S136-664	Condenser Cover Plate	X	
NS	S136-751	Condenser Cover Plate		X
NS	4056-238	Wiring Diagram	X	X

NS = Not Shown

# WCRVPS5P, WCRVPS6P COMMERCIAL ROOM VENTILATOR



SEXP-872

## WCRVPS5P, WCRVPS6P COMMERCIAL ROOM VENTILATOR

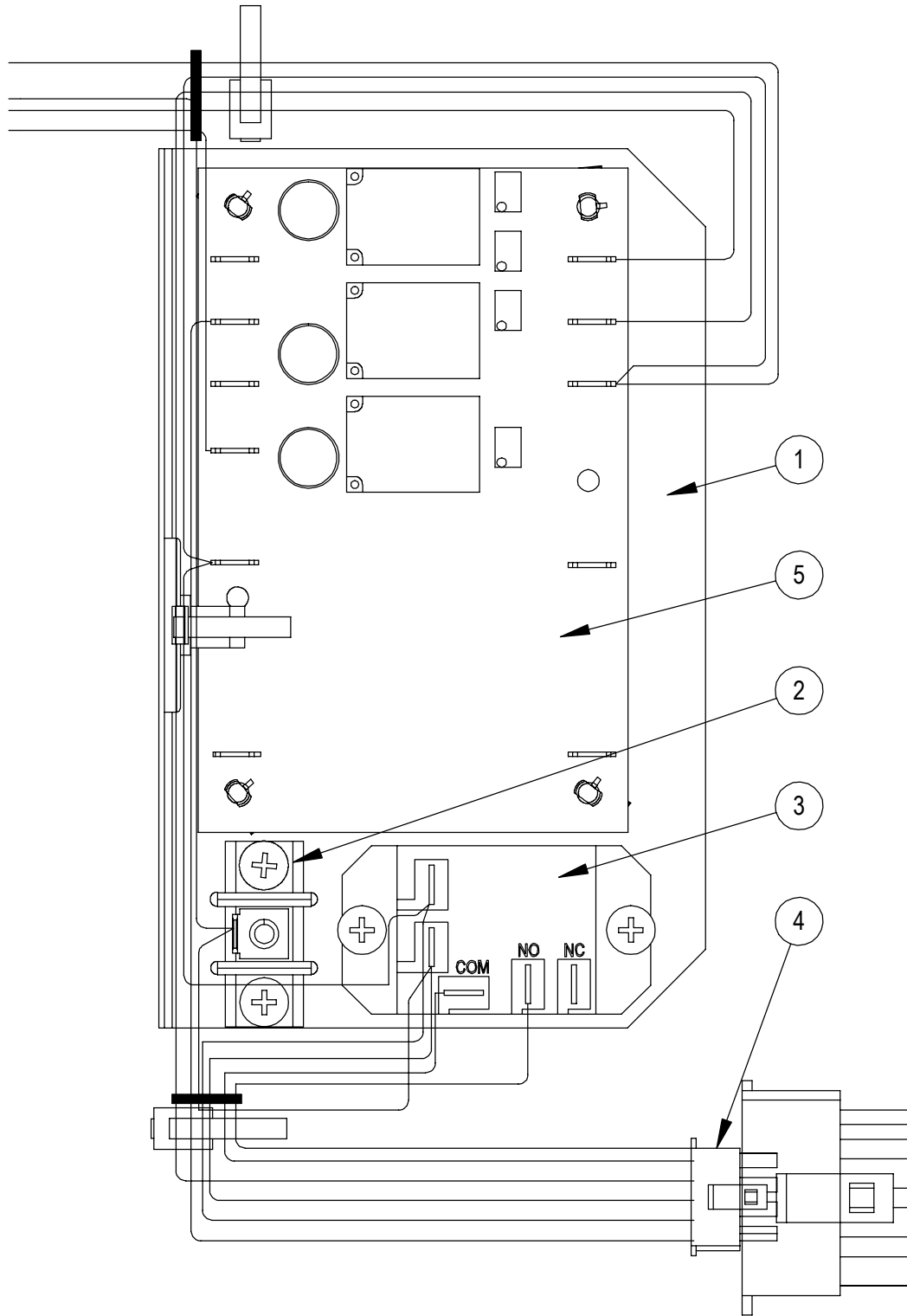
---

Drawing No.	Part No.	Description	WCRVPS5P	WCRVPS6P
1	S139-348	Blade Assembly	X	X
2	8602-038	DBP-1 Damper Pin with Bolt, Washer and Nut	2	2
3	1012-126	1/4" Type "A" Washer	2	2
4	8602-040	BKP-24 Bracket	X	X
5	8602-077	1/4" x 9" Rod	X	X
6	137-736	Lower Rear Partition	X	X
7	S1921-067-2906	Damper Blade Seal	3	3
8	S1921-067-1011	Damper Blade Seal	2	2
9	137-819	Upper Front Partition	X	X
10	S1921-067-2909	Damper Blade Seal	2	2
11	S1921-067-0612	Damper Blade Seal	2	2
12	137-871	Upper Rear Partition	X	X
13	101X947	Right Side Assembly, Insulated	X	X
14	101Y947	Left Side Assembly, Insulated	X	X
15	S1921-067-1007	Damper Blade Seal	2	2
16	8602-052	1/2" I.D. Bronze Bushing	2	2
17	137-820	Lower Front Partition	X	X
18	113-526	Corner Bracket	2	2
19	5401-004	0.047 (Type 302) Stainless Steel Spring		X
20	143-205	CRV Fill Plate		X
NS	S537-731	Condenser Cover Plate	X	X
NS	4056-238	Wiring Diagram	X	X

NS = Not Shown

# CONTROL PANEL ASSEMBLY

---



SEXP-874 A

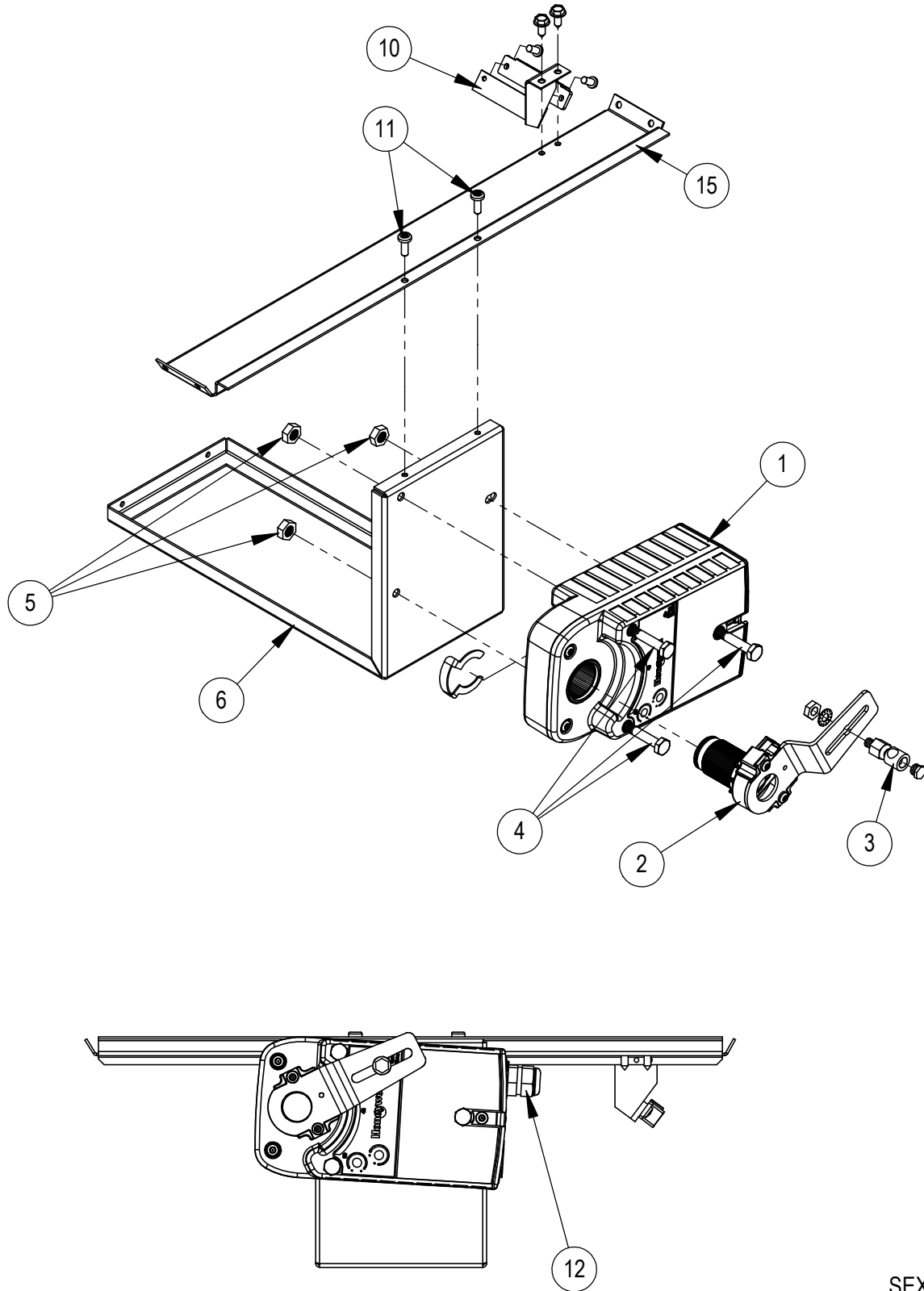
# CONTROL PANEL ASSEMBLY

---

<b>Drawing No.</b>	<b>Part No.</b>	<b>Description</b>	<b>WCRVPS2P</b>	<b>WCRVPS3P</b>	<b>WCRVPS5P</b>	<b>WCRVPS6P</b>
1	113-659	Control Mounting Plate	X	X	X	X
2	8607-041	Park Terminal	X	X	X	X
3	8201-130	Relay, SPDT Pilot Duty	X	X	X	X
4	3000-1569	Wire Assembly	X	X	X	X
5	8201-141	CRV Control Board	X	X	X	X

# ACTUATOR ASSEMBLY

---



SEXP-871



# ACTUATOR ASSEMBLY

---

Drawing No.	Part No.	Description	WCRVPS2P	WCRVPS3P	WCRVPS5P	WCRVPS6P
1	8602-069	Direct Coupled Actuator - Sylk	X	X	X	X
2	8602-068	Crank Arm	X	X	X	X
3	8602-008	Ball Joint	X	X	X	X
4	1012-174	1/4" - 20, 3-1/4" Long Hex Cap Screw	3	3	3	3
5	1012-201	1/4" - 20, Steep Keps Hex Nut	3	3	3	3
6	141-465	Actuator Support Plate	X			
6	141-466	Actuator Support Plate		X		
6	141-467	Actuator Support Plate			X	X
10	113-655	Blade Switch Bracket	X	X	X	X
11	1012-128	10 - 16 x 5/8" Torx Head Screw	8	8	8	8
12	8611-130	LTF 7 Fitting 3/4" O.D.	X	X	X	X
15	141-464	Actuator Support Bar	X	X		
15	141-468	Actuator Support Bar			X	X