
REPLACEMENT PARTS MANUAL

FUSION-TEC™ WALL-MOUNT AIR CONDITIONER

Models:

HR58APA HR58APB

Part of the Bard Free Cooling Unit System

Contents

<u>Description</u>	<u>Page</u>
Cabinet Components	
♦ Exploded View	2
♦ Usage List	3
Functional Components	
♦ Layout View	4
♦ Usage List	5
Control Panel	
♦ Layout View	6
♦ Usage List	7
Freecooling Damper Motor	
♦ Exploded View	8
♦ Usage List	8
Anti-Theft Kit (Optional)	
♦ Layout View	9
♦ Usage List	9

General Notes

- Revised and/or additional pages may be issued from time to time.
- A complete and current manual consists of pages shown in the following contents section.

Important

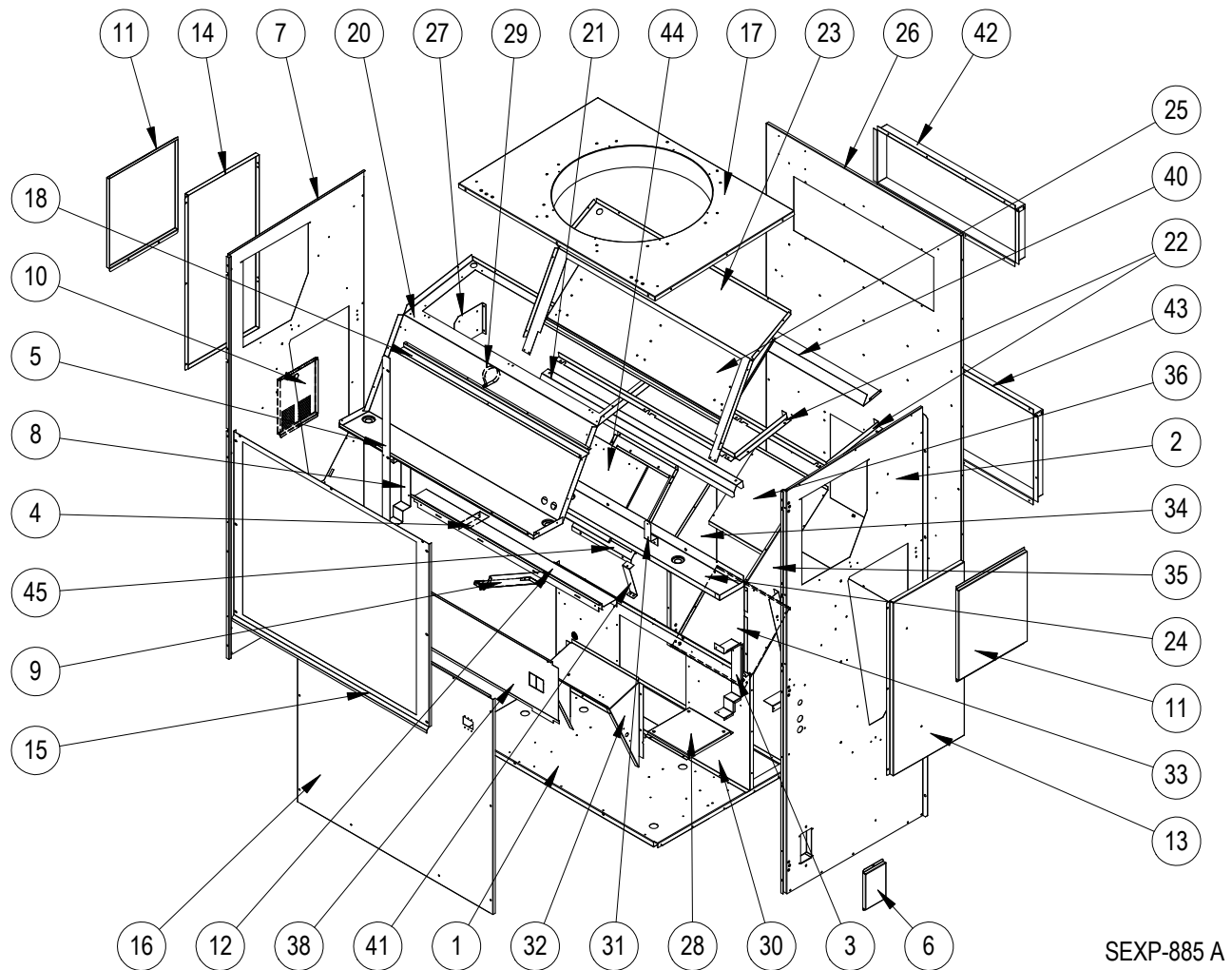
- Contact the installing and/or local Bard distributor for all parts requirements. Make sure to have the complete model and serial number available from the unit rating plates.



Bard Manufacturing Company, Inc.
Bryan, Ohio 43506
www.bardhvac.com

Manual: 2110-1540
Supersedes: **NEW**
Date: 6-2-17

CABINET COMPONENTS



SEXP-885 A

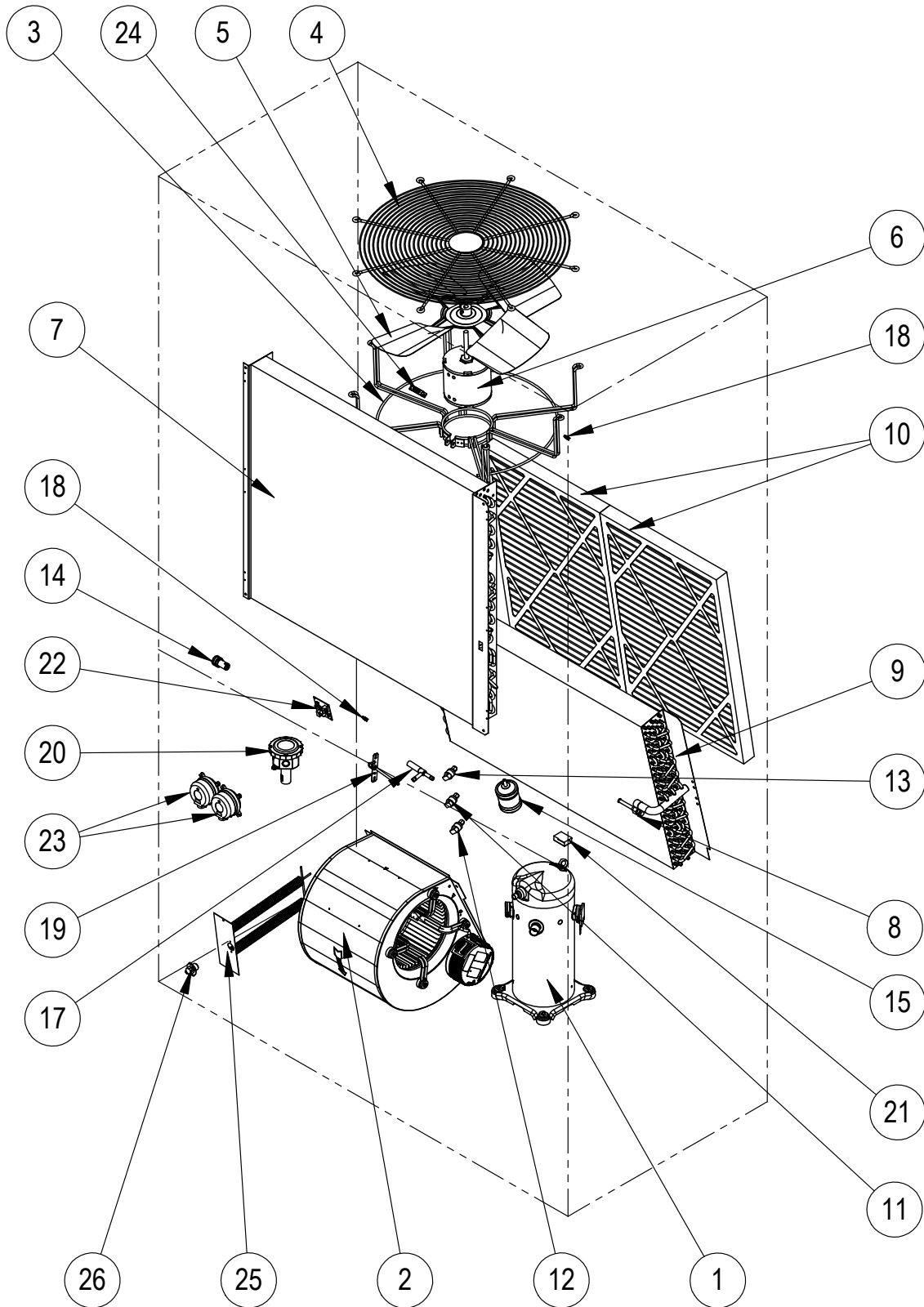
CABINET COMPONENTS

Dwg No.	Part Number	Description	HR58AP*
1	S527-538	Unit Base	X
2	S501-1001-* ①	Right Side	X
3	105X1413	Right Control Panel Angle	X
4	105-1416	Drain Pan Angle	2
5	105-1425	Condenser Coil Angle	X
6	S543-212-* ①	Coremax Box Cover	X
7	501-1002-* ①	Left Side Assembly	X
8	105Y1413	Left Control Panel Angle	X
9	113-681	Wire Bracket	X
10	S533-704-* ①	Sensor Access Door	X
11	S143-210-* ①	Condenser Access Panel	2
12	S135-383-* ①	Rain Channel/Coil Riser	X
13	S543-211-* ①	Right Filter Panel	X
14	S543-213-* ①	Left Filter Panel	X
15	118-117-* ①	Condenser Grille	X
16	S533-288-* ①	Control Panel Cover	X
17	S107-370-* ①	Unit Top	X
18	137-880	Upper Condenser Fill	X
20	521-558-* ①	Lower Condenser Partition w/ Damper Frame	X
21	131-166	Upper Filter Angle	X
22	111-273	Outdoor Damper Frame	X
23	521-554-* ①	Upper Condenser Partition	X
24	S123-154	Drain Pan	X
25	921-0035	Exhaust Damper Blade Assembly	X
26	S509-392	Back Assembly	X
27	113-677	Motor Control Bracket	X
28	127-555	Compressor Isolation Plate	X
29	8550-011	2-1/2" Single Hole Strap	X
30	521-555	Evaporator Partition	X
31	113-678	Filter Switch Hose Bracket	X
32	111-269	Blower Mounting Duct Flange	X
33	539-363	Supply Duct Bottom	X
34	539-364	Supply Duct Left	X
35	539-365	Supply Duct Right	X
36	539-366	Supply Duct Top	X
38	S133-290	Inner Control Panel Cover	X
40	143-214	Evaporator Coil Cover	X
41	113-682	EEV Bracket	X
42	111-115	Return Air Frame	X
43	111-270	Supply Air Frame	X
44	S139-367	Outdoor Damper Blade	2
45	S105-1414	Outdoor Damper Frame	2
NS	113-150-* ①	Rain Flashing	X

① Exterior cabinet parts are manufactured with various paint color options. To ensure the proper paint color is received, please reference the following codes: Beige -X, White -1, Buckeye Gray -4, Desert Brown -5, Dark Bronze -8

NS – Not Shown

FUNCTIONAL COMPONENTS



SEXP-886

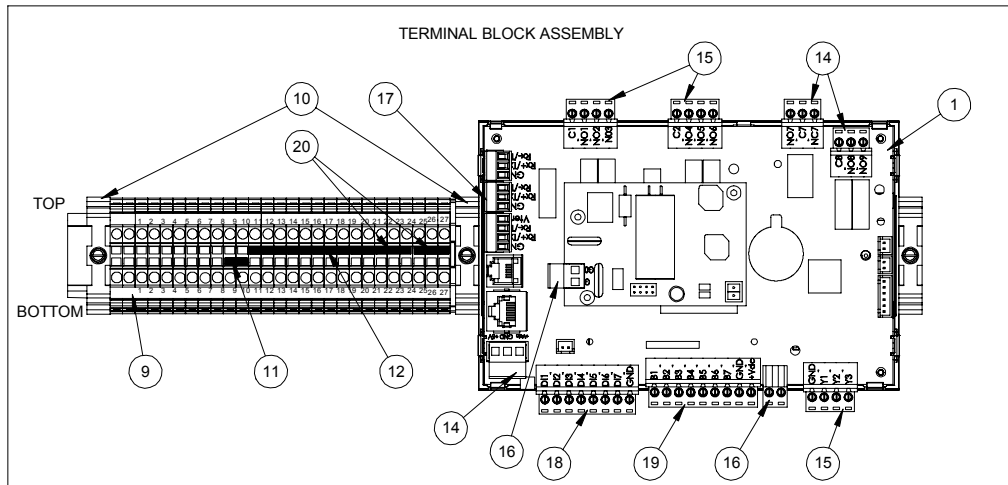
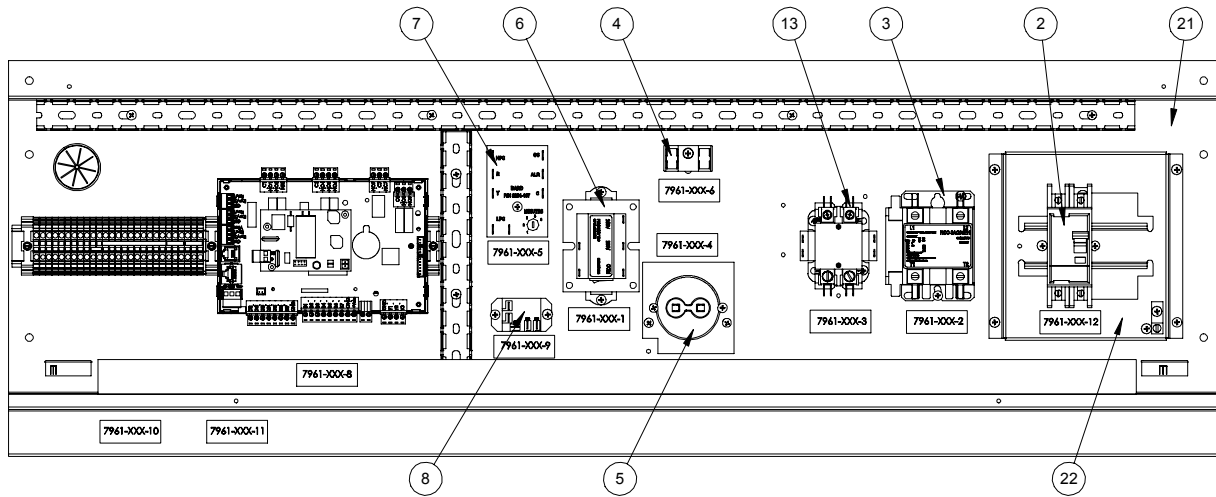
FUNCTIONAL COMPONENTS

Dwg No.	Part Number	Description	HR58AP*
1	8000-385	Compressor	X
2	S5154-007-0142	Blower Assembly	X
3	8200-053	Condenser Motor Mount	X
4	7021-091	Condenser Discharge Grille	2
5	5151-062	Fan Blade	X
6	S8106-061-0132	Condenser Fan Motor	X
7	5051-216	Condenser Coil	X
7	5054-216	Condenser Coil – Coated	X
8	800-0417	Distributor Assembly	X
9	917-0339	Evaporator Coil	X
9	917-0340	Evaporator Coil – Coated	X
10	7004-027	Air Filter MERV 8 (20"x30"x2")	2
11	8406-154	High Pressure Transducer	X
12	8406-153	Low Pressure Transducer	X
13	8406-142	High Pressure Switch	X
14	8611-199	Filter Service LED	X
15	5201-022	Filter Drier	X
17	5651S245	Electronic Expansion Valve	X
18	8408-044	Evaporator Temp Sensor	2
18		Return Air Sensor	
19	8301-066	Supply Air Temp Sensor	X
20	8301-067	Outdoor Temp and Humidity Sensor	X
21	8301-073	Dust (Particulate) Sensor	X
22	8612-061	Dust (Particulate) Sensor Board	X
23	8301-057	Filter Switch w/Adjustment	2
23		Blower Fail Switch w/Adjustment	
24	8406-150	Damper Blade Switch	X
25	8604-148	Heat Strip ①	X
26	8402-190	Limit Control ①	X
NS	6301-009	Coremax Valve Core	2
NS	8605-017	Compressor Crankcase Heater ①	X
NS	8602-040	Damper Hinge	7
NS	8602-084	3/7-1/4" Rod	2
NS	5651-246	Electronic Expansion Valve Cable	X

① – Optional on these models

NS – Not Shown

CONTROL PANEL



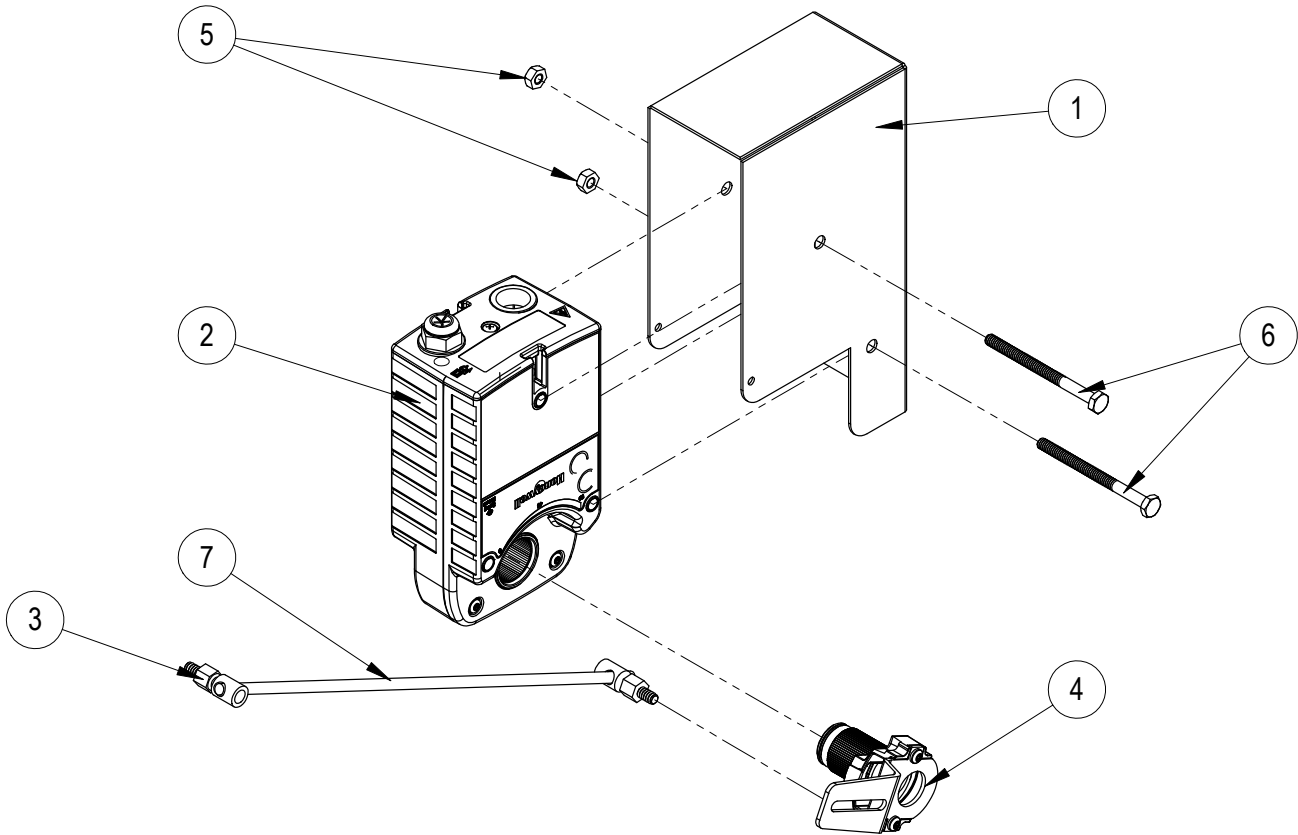
SEXP-887

CONTROL PANEL

Dwg No.	Part Number	Description	HR58AP*
1	8301-068-002	Programmed Micro PC3	X
2	8615-041	Circuit Breaker 60A 2-Pole	X
3	8401-038	Contactora 2-Pole 40 Amp	X
4	8607-017	Terminal Block 240V 2 Terminal	X
5	8552-096	Capacitor 40MFD 440V 2" R	X
6	8407-065	Transformer 208/240-24 75VA	X
7	8201-157	Compressor Control Module	X
8	8201-130	Relay Pilot Duty	X
9	8611-150	DIN Rail Terminal Block	27
10	8611-144	DIN Rail End Clamp	3
11	8611-194	2 Position Jumper	X
12	8611-203	10 Position Jumper	X
13	8401-034	Contactora 2-Pole 40 Amp	X
14	8611-147	3-Pin Circuit Board Connector	3
15	8611-148	4-Pin Circuit Board Connector	3
16	8611-183	2-Pin Circuit Board Connector	2
17	8611-192	3-Pin Circuit Board Connector	1
18	8611-185	8-Pin Circuit Board Connector	1
19	8611-149	9-Pin Circuit Board Connector	1
20	8611-208	3 Position Jumper	2
21	517-397	Control Panel	X
22	127-556	Circuit Breaker Base	X
NS	4208-100	Wiring Diagram	X
NS	4208-101	Wiring Diagram	X

NS – Not Shown

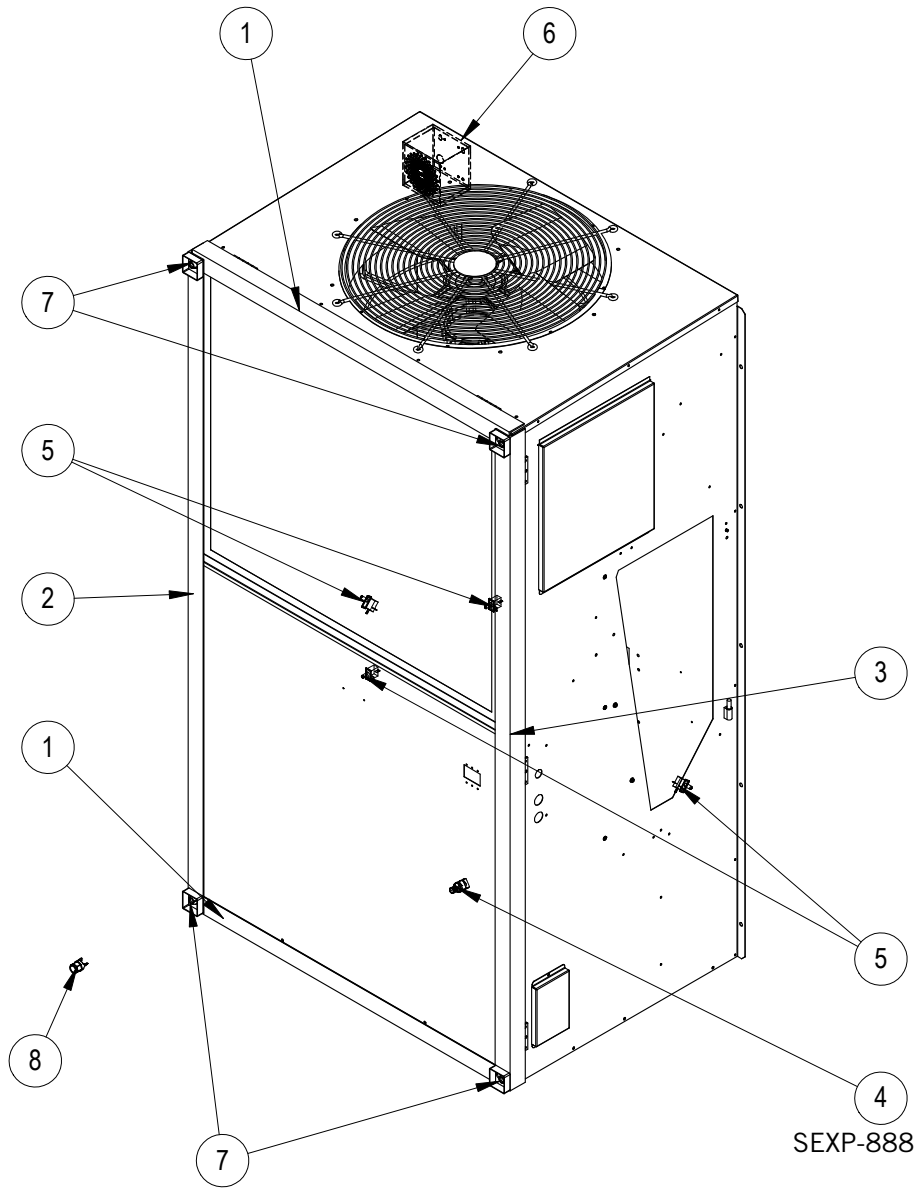
FREECOOLING DAMPER MOTOR



SEXP-889

Dwg. No.	Part Number	Description	
1	113-694	Actuator Support Plate	X
2	8602-067	Direct Coupled Actuator	X
3	8602-008	Ball Joints	2
4	8602-068	Crank Arm	X
5	1012-201	1/4-20 Steel Keps Hex Nut Zinc	2
6	1012-174	1/4" - 20x3 - 1/4 Hex Cap Screws	2
7	8602-085	1/4" x 13-3/4" Rod	X

ANTI-THEFT KIT (OPTIONAL)



SEXP-888

Dwg No.	Part Number	Description	HR58AP*
1	9050-001	Frame Top/Bottom	2
2	9050-002	Left Frame Side	X
3	9050-003	Right Frame Side	X
4	8406-135	Low Pressure Switch	X
5	8406-156	Panel Switch	4
6	910-2038	Speaker and Enclosure	X
7	1012-346	Tri-Groove Nut	4
8	2151-022	Tri-Groove Socket – Key	X