
REPLACEMENT PARTS MANUAL

Commercial Room Ventilator with Spring Return and Exhaust

Models:

CRV-F2 CRV-F3

General Notes

- Revised and/or additional pages may be issued from time to time.
- A complete and current manual consists of pages shown in the following contents section.

Important

- Contact the installing and/or local distributor for all parts requirements. Make sure to have the complete model and serial number available from the unit rating plates.

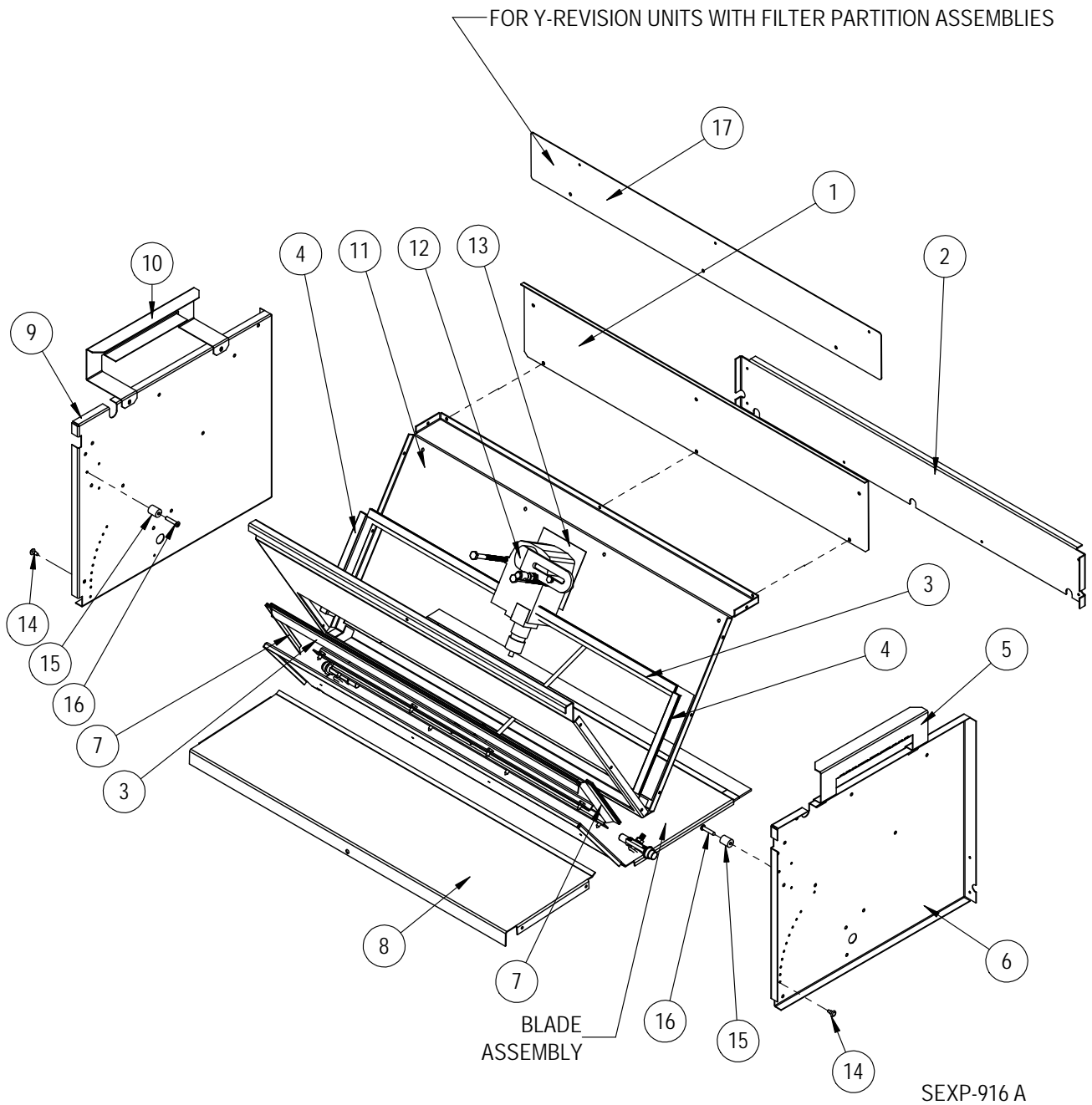
Contents

| Description | Page |
|---|------|
| CRV-F2, CRV-F3 Commercial Room Ventilator | |
| ♦ Exploded View | 2 |
| ♦ Usage List | 3 |
| Blade Assembly | |
| ♦ Exploded View | 4 |
| ♦ Usage List | 5 |

BMC, Inc.
Bryan, Ohio 43506

Manual: 2110-1544A
Supersedes: 2110-1544
Date: 6-9-23

CRV-F2, CRV-F3 COMMERCIAL ROOM VENTILATOR

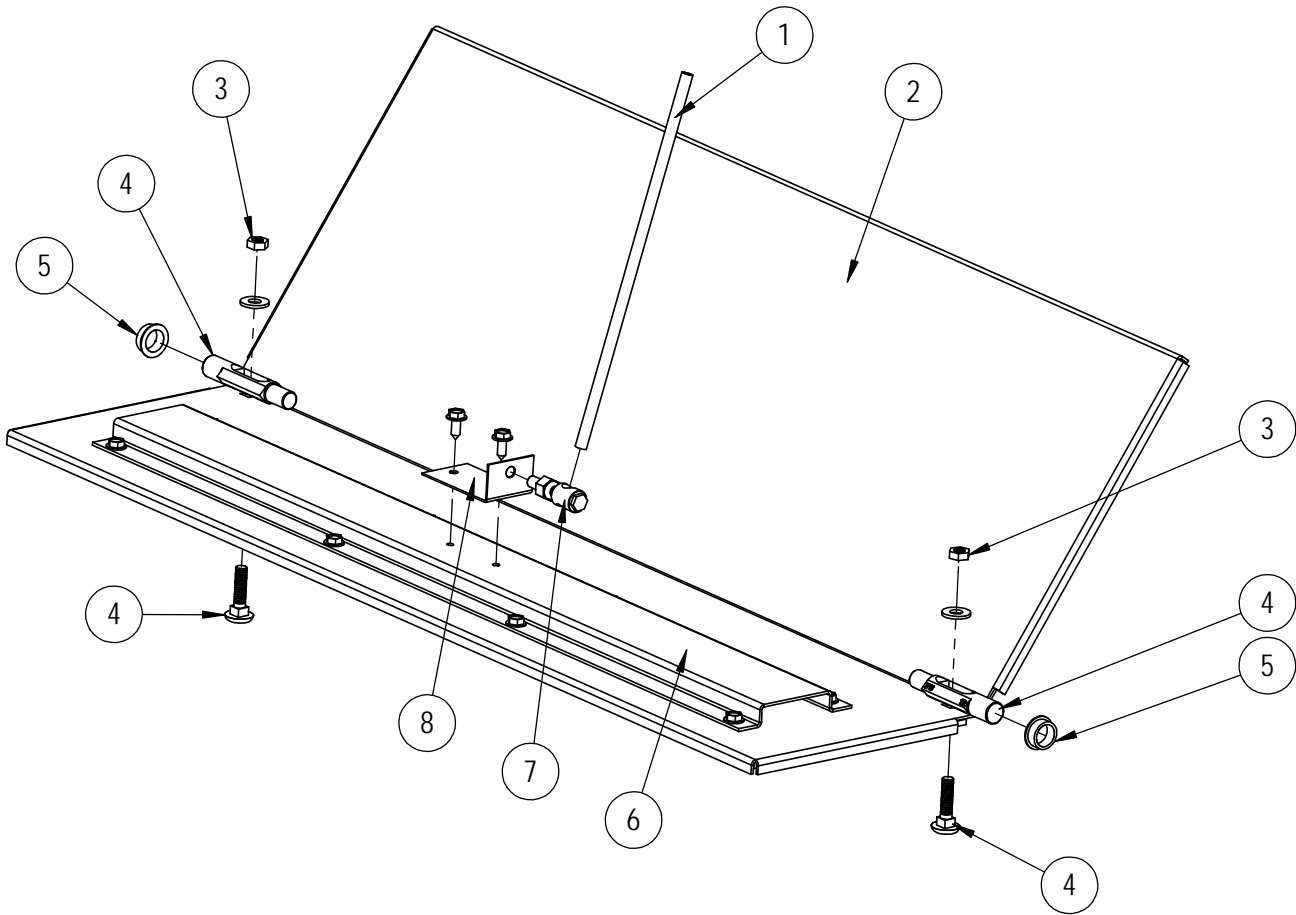


CRV-F2, CRV-F3 COMMERCIAL ROOM VENTILATOR

| Drawing No. | Part No. | Description | CRV-F2 | CRV-F3 |
|-------------|---------------|----------------------------------|--------|--------|
| 1 | 137-748 | Upper Rear Fill | X | |
| 1 | 137-746 | Upper Rear Fill | | X |
| 2 | 137-874 | Lower Rear Fill | X | |
| 2 | 137-873 | Lower Rear Fill | | X |
| 3 | 1921-067-2006 | Damper Blade Seal | 2 | |
| 3 | 1921-067-2506 | Damper Blade Seal | | 2 |
| 4 | 1921-067-0606 | Damper Blade Seal | 2 | 2 |
| 5 | 113-543 | Short Filter Bracket | X | X |
| 6 | 101x1035 | Right CRV Side | X | X |
| 7 | 1921-067-0410 | Damper Blade Seal | 2 | 2 |
| 8 | 137-869 | Lower Front Partition | X | |
| 8 | 137-829 | Lower Front Partition | | X |
| 9 | 101Y1035 | Left CRV Side | X | X |
| 10 | 113-542 | Long Filter Bracket | X | X |
| 11 | 139-387 | Partition | X | |
| 11 | 139-388 | Partition | | X |
| 12 | 8602-094 | Actuator | X | X |
| 13 | 128-027 | Actuator Spacer | X | X |
| 14 | 8611-059 | Canoe Clip | 2 | 2 |
| 15 | 1012-192 | Nylon Spacer | 2 | 2 |
| 16 | 1012-074 | Screw #8-18x1 | 2 | 2 |
| 17 | 136-1013BX | Return Fill Plate | | X |
| 17 | 136-1014BX | Return Fill Plate | X | |
| NS | 136-664 | Condenser Cover Plate | X | |
| NS | 136-751 | Condenser Cover Plate | | X |
| NS | 7003-076 | Mist Filter 11-3/4"x20-7/8"x1/2" | X | |
| NS | 7003-075 | Mist Filter 11-3/4"x26-1/4"x1/2" | | X |

NS = Not Shown

BLADE ASSEMBLY



SEXP-927

BLADE ASSEMBLY

| Drawing No. | Part No. | Description | CRV-F2 | CRV-F3 |
|-------------|----------|--------------------------|--------|--------|
| 1 | 8602-077 | 1/4 x 9" Rod | X | X |
| 2 | 139-355 | Blade | X | |
| 2 | 139-352 | Blade | | X |
| 3 | 1012-221 | 1/4-20 Hex Flange Nut | 2 | 2 |
| 4 | 8602-038 | Damper Pin with Hardware | 2 | 2 |
| 5 | 8602-052 | 1/2" Bronze Bushing | X | X |
| 6 | 141-433 | Blade Support | X | |
| 6 | 141-430 | Blade Support | | X |
| 7 | 8602-008 | Ball Joint | X | X |
| 8 | 105-1444 | Bracket | X | X |