
REPLACEMENT PARTS MANUAL

Wall Mounted Packaged Heat Pump

Models:

W18HB-A W24HB-A W24HBDA
 W24HB-B W24HBDB
 W24HB-C W24HBDC

Contents

Description	Page	Description	Page
Cabinet Components		Blower Assembly	
♦ Exploded View	2	♦ Exploded View	14
♦ Usage List	3	♦ Usage List	14
Functional Components – Standard Units		EEV Controller Assembly	
♦ Exploded View	4	♦ Exploded View	15
♦ Usage List	5	♦ Usage List	15
Functional Components – Dehumidification Units			
♦ Exploded View	6		
♦ Usage List	7		
Control Panel – 230 Volt 1 Phase Units			
♦ Layout View	8		
♦ Usage List	9		
Control Panel – 230 Volt 3 Phase Units			
♦ Layout View	10		
♦ Usage List	11		
Control Panel – 460 Volt 3 Phase Units			
♦ Layout View	12		
♦ Usage List	13		

General Notes

- Revised and/or additional pages may be issued from time to time.
- A complete and current manual consists of pages shown in the contents section.

Important

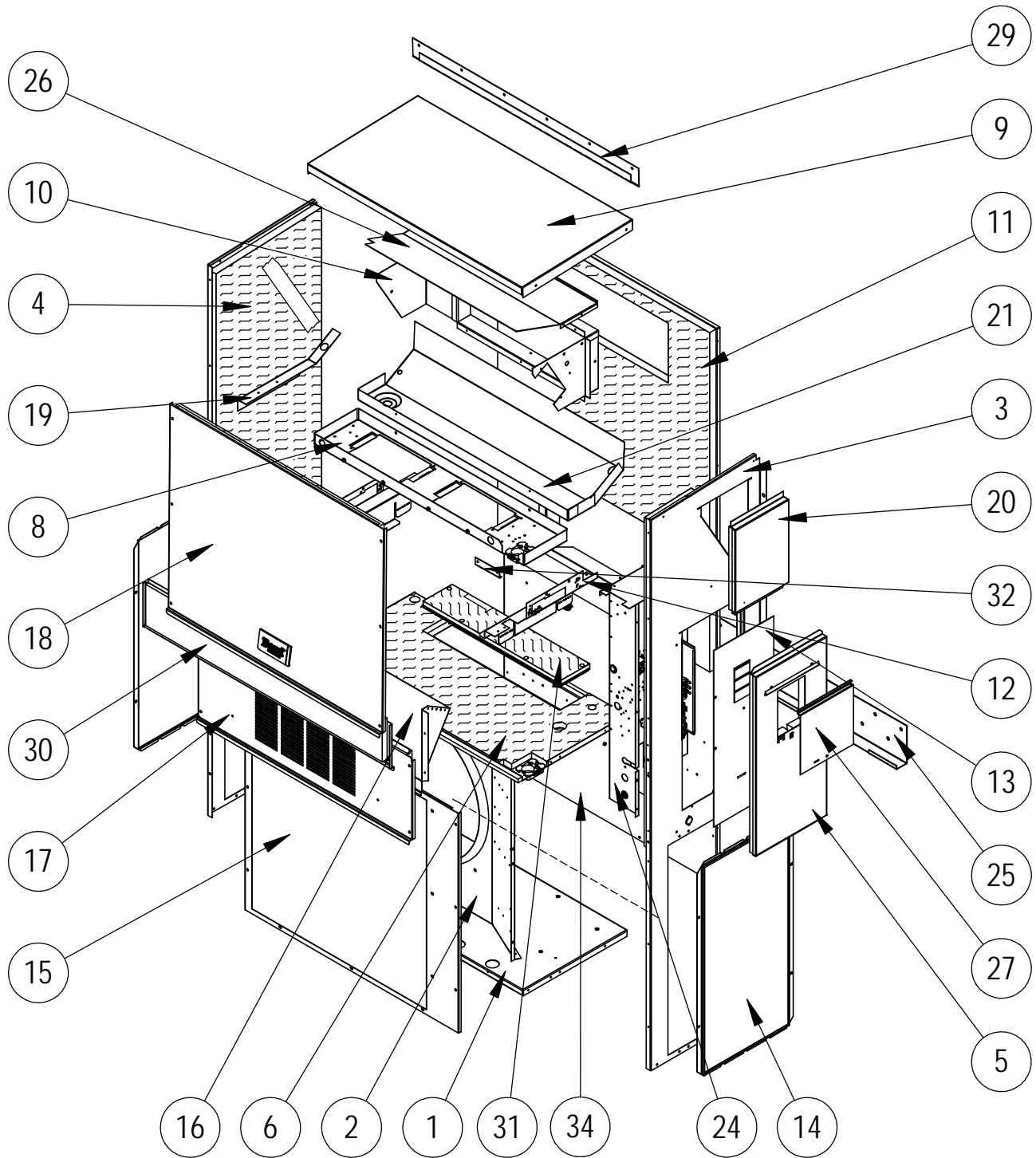
- Contact the installing and/or local Bard distributor for all parts requirements. Make sure to have the complete model and serial number available from the unit rating plates.



Bard Manufacturing Company, Inc.
Bryan, Ohio 43506
www.bardhvac.com

Manual: 2110-1548F
Supersedes: 2110-1548E
Date: 4-19-21

CABINET COMPONENTS



SEXP-991 B

CABINET COMPONENTS

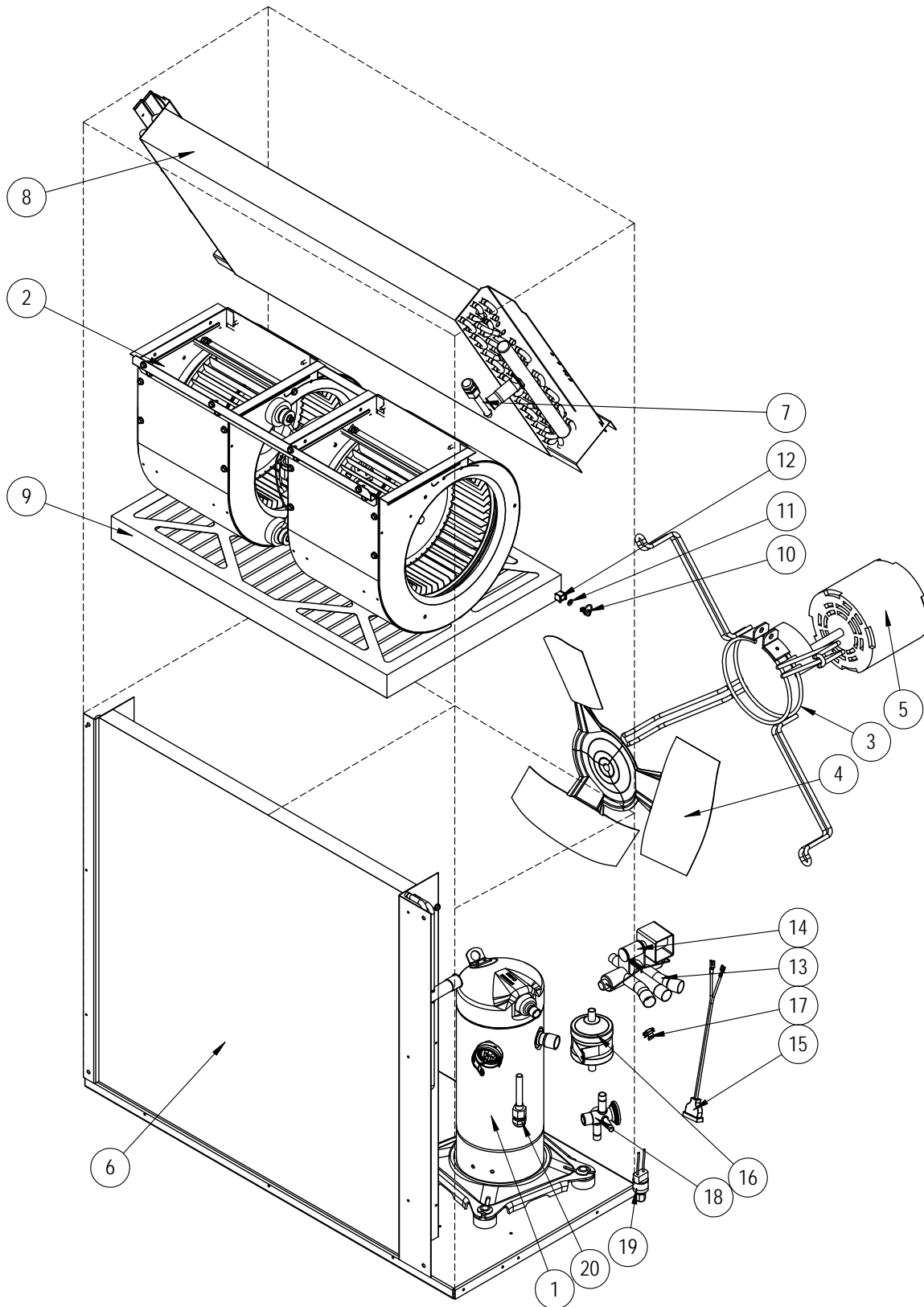
Dwg No.	Part Number	Description	W18HB-A	W24HB-A, B	W24HB-C	W24HBDA, B	W24HBDC
1	S127-467	Lower Base	X	X	X	X	X
1	S127-534 ②	Lower Base	X	X	X	X	X
2	125-080	Fan Shroud	X	X	X	X	X
2	125-082 ②	Fan Shroud	X	X	X	X	X
3	S501-933-* ①	Right Side	X	X	X	X	X
3	S501-994-* ②	Right Side	X	X	X	X	X
3	S501-937 ③	Right Side	X	X	X	X	X
4	S501-934-* ①	Left Side	X	X	X	X	X
4	S501-995-* ②	Left Side	X	X	X	X	X
4	S501-940 ③	Left Side	X	X	X	X	X
5	S533-228-* ①	Control Panel Cover (Outer)	X	X	X	X	X
5	S533-235 ②	Control Panel Cover (Outer)	X	X	X	X	X
5	S533-236 ③	Control Panel Cover (Outer)	X	X	X	X	X
6	S521X528	Condenser Partition	X	X	X	X	X
6	S521-553 ②	Condenser Partition	X	X	X	X	X
8	121X480	Blower Partition	X	X	X	X	X
9	S507-311-* ①	Top	X	X	X	X	X
9	S507-318-* ③	Top	X	X	X	X	X
9	S507-317 ②	Top	X	X	X	X	X
10	S111X032	Outlet Air Frame Assembly	X	X	X	X	X
11	S509-445	Upper Back	X	X	X	X	X
11	S509-447 ③	Upper Back	X	X	X	X	X
11	S509-449 ②	Upper Back	X	X	X	X	X
12	113X480	Filter Bracket	2	2	2	2	2
13	S132-104	Control Panel Cover (Inner)	X	X		X	
13	S132-172	Control Panel Cover (Inner)			X		X
14	118-124-* ①	Side Grille	2	2	2	2	2
14	118-140 ②	Side Grille	2	2	2	2	2
14	118-141 ③	Side Grille	2	2	2	2	2
15	118-101-* ①	Condenser Grille	X	X	X	X	X
15	118-106 ②	Condenser Grille	X	X	X	X	X
15	118-144 ③	Condenser Grille	X	X	X	X	X
16	BFAD-2	Fresh Air Damper Assembly	X	X	X	X	X
17	S553-537-* ①	Vent Option Door	X	X	X	X	X
17	S553-547 ②	Vent Option Door	X	X	X	X	X
17	S553-548 ③	Vent Option Door	X	X	X	X	X
17	S553-539-* ①	Vent Option Door with ERV	X	X	X	X	X
17	S553-555 ②	Vent Option Door with ERV	X	X	X	X	X
17	S553-556 ③	Vent Option Door with ERV	X	X	X	X	X
17	S553-666-* ①	Vent Option Door with CRV or ECON-S	X	X	X	X	X
17	S553-692 ②	Vent Option Door with CRV or ECON-S	X	X	X	X	X
17	S553-693 ③	Vent Option Door with CRV or ECON-S	X	X	X	X	X
18	S514-240-* ①	Upper Front	X	X	X	X	X
18	S514-237-* ③	Upper Front	X	X	X	X	X
18	S514-236 ②	Upper Front	X	X	X	X	X
19	105X850	Side Support	X	X	X	X	X
20	S543-175-* ①	Right Side Cover Plate (Outer)	X	X	X	X	X
20	S543-185 ②	Right Side Cover Plate (Outer)	X	X	X	X	X
20	S543-184 ③	Right Side Cover Plate (Outer)	X	X	X	X	X
21	S123-126	Drain Pan	X	X	X	X	X
21	S123-140 ②③	Drain Pan	X	X	X	X	X
22	147-044	Evaporator Support	X	X	X	X	X
24	Control Panel Assembly	See Control Panel Assy. Drawing & Parts List Assy.	X	X	X	X	X
25	113-140	Bottom Mounting Bracket	X	X	X	X	X
26	135X127	Heat Shield	X	X	X	X	X
27	S153-218 ①	Disconnect Access Door	X	X	X	X	X
27	S153-405 ②	Disconnect Access Door	X	X	X	X	X
27	S153-387 ③	Disconnect Access Door	X	X	X	X	X
28	137-259	Fill Plate	X	X	X	X	X
29	113-141-* ①	Top Rain Flashing	X	X	X	X	X
29	113-361 ②	Top Rain Flashing	X	X	X	X	X
29	113-141-4 ③	Top Rain Flashing	X	X	X	X	X
30	S553-538-* ①	Filter Door	X	X	X	X	X
30	S553-552-* ③	Filter Door	X	X	X	X	X
30	S553-551 ②	Filter Door	X	X	X	X	X
31	S536-176	Cond. Partition Block Off Plate	X	X	X	X	X
31	S536-878 ②	Cond. Partition Block Off Plate	X	X	X	X	X
32	105-1302	Grommet Retainer	X	X	X	X	X
34	109-444	Lower Back	X	X	X	X	X
34	109-446 ③	Lower Back	X	X	X	X	X
34	109-448 ②	Lower Back	X	X	X	X	X
NS	5252-033	Bard Nameplate	X	X	X	X	X

① Exterior cabinet parts are manufactured with various paint color options. To ensure the proper paint color is received, include the complete model and serial number of the unit for which cabinet parts are being ordered.

② Exterior cabinet parts are manufactured from stainless steel Code "S"

③ Exterior cabinet parts are manufactured from aluminum Code "A"

FUNCTIONAL COMPONENTS – STANDARD UNITS



SEXP-985

FUNCTIONAL COMPONENTS – STANDARD UNITS

Dwg No.	Part Number	Description	W18HB-A	W24HB-A	W24HB-B	W24HB-C
1	8000-433	Compressor	X			
1	8000-441	Compressor		X		
1	8000-435	Compressor			X	
1	8000-436	Compressor				X
NS	3000-1224	Molded Compressor Wire Harness (1-PH)	X	X		
NS	3000-1231	Molded Compressor Wire Harness (3-PH)			X	X
2	900-358-003	Blower Assembly	X			
2	900-358-004	Blower Assembly		X	X	
2	900-359-002	Blower Assembly				X
3	8200-001	Fan Motor Mount	X	X	X	X
3	8200-050 ①	Stainless Steel Fan Motor Mount	X	X	X	X
4	5151-033	Fan Blade	X	X	X	
4	5151C033 ①	Coated Fan Blade	X	X	X	
4	5151-046	Fan Blade				X
4	5151C046 ①	Coated Fan Blade				X
5	8103-028	Outdoor Fan Motor	X	X	X	
5	8103-030	Outdoor Fan Motor				X
6	917-0385BX	Outdoor Coil (Includes Distributor)	X			
6	917-0390BX ②	Outdoor Coil – Coated (Includes Distributor)	O			
6	917-0386BX	Outdoor Coil (Includes Distributor)		X	X	X
6	917-0391BX ②	Outdoor Coil – Coated (Includes Distributor)		O	O	O
7	800-0427	Cooling Distributor Assembly	X			
7	800-0485	Cooling Distributor Assembly		X	X	X
8	917-0388BX	Indoor Coil (Includes Cooling Distributor)	X			
8	917-0393BX ②	Indoor Coil – Coated (Includes Cooling Distributor)	O			
8	917-0399BX	Indoor Coil (Includes Cooling Distributor)		X	X	X
8	917-0400BX ②	Indoor Coil – Coated (Includes Cooling Distributor)		O	O	O
9	7004-011	Air Filter 16" x 25" x 1" Disposable	X	X	X	X
9	7003-032 ②	Air Filter 16" x 25" x 1" Washable	O	O	O	O
9	7004-025 ②	Air Filter 16" x 25" x 2" Pleated Disposable	O	O	O	O
10	1171-022	1/4 Turn Fastener	X	X	X	X
11	1171-024	1/4 Turn Retainer	X	X	X	X
12	1171-023	1/4 Turn Receptacle	X	X	X	X
13	5650-038	Reversing Valve w/24V Solenoid Coil	X	X	X	X
14	5650-046	Reversing Valve 24V Solenoid	X	X	X	X
15	5650-044	Molded Plug 53" Lead	X	X	X	X
16	5201-019	Filter Drier, Bi-Directional, 3/8" Connections	X	X	X	X
17	8620-224	Defrost Sensor Kit	X	X	X	X
18	5651-218	Heating Expansion Valve	X	X	X	X
19	8406-142	High Pressure Switch (650#) Screw On	X	X	X	X
20	5625-127	Heating Distributor	X	X	X	X
NS	8406-135	Low Pressure Switch (14#) Screw On	X	X	X	X
NS	6031-009	Coremax Valve Core (Service Port)	2	2	2	2
NS	8406-127 ②	Low Ambient Fan Cycling Control (350#/225#)	O			
NS	8406-105 ②	Low Ambient Fan Cycling Control (350#/225#)		O	O	O
NS	8408-028 ②	Outdoor Thermostat	O	O	O	O
NS	1171-028	Filter Door Clip	X	X	X	X
NS	1171-057	Filter Door Screw	X	X	X	X
NS	1171-027	Filter Door Screw Retainer	X	X	X	X

NS – Not Shown

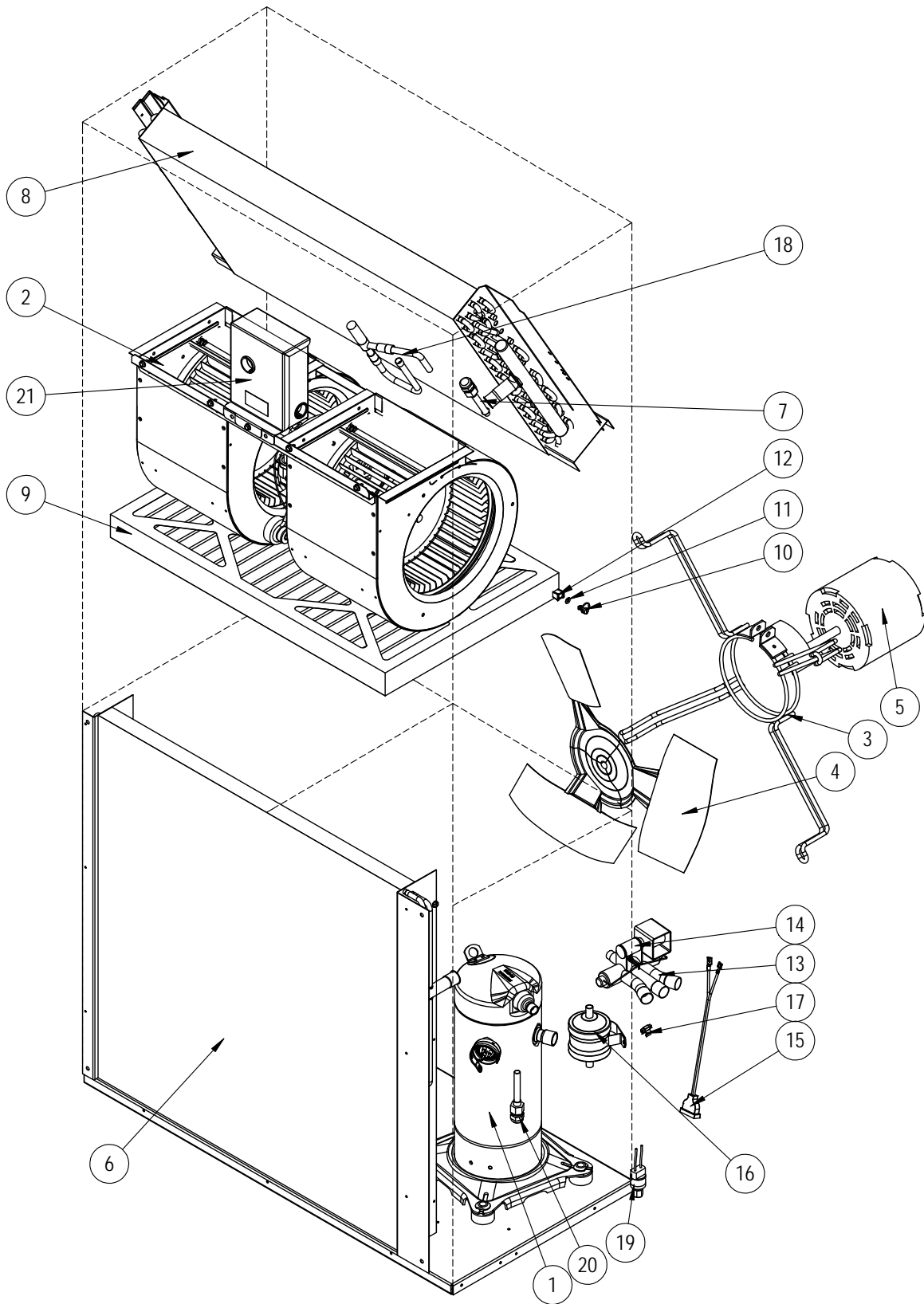
① – Used with stainless steel cabinet option

② – Optional on these models

X – Standard

O – Add-On Option

FUNCTIONAL COMPONENTS – DEHUMIDIFICATION UNITS



SEXP-986

FUNCTIONAL COMPONENTS – DEHUMIDIFICATION UNITS

Dwg No.	Part Number	Description	W24HBDA	W24HBDB	W24HBDC
1	8000-441	Compressor	X		
1	8000-435	Compressor		X	
1	8000-436	Compressor			X
NS	3000-1224	Molded Compressor Wire Harness (1-PH)	X		
NS	3000-1231	Molded Compressor Wire Harness (3-PH)		X	X
2	900-358-004	Blower Assembly	X	X	
2	900-359-002	Blower Assembly			X
3	8200-001	Fan Motor Mount	X	X	X
3	8200-050 ①	Stainless Steel Fan Motor Mount	X	X	X
4	5151-033	Fan Blade	X	X	
4	5151C033 ①	Coated Fan Blade	X	X	
4	5151-046	Fan Blade			X
4	5151C046 ①	Coated Fan Blade			X
5	8103-028	Outdoor Fan Motor	X	X	
5	8103-030	Outdoor Fan Motor			X
6	917-0386BX	Outdoor Coil (Includes Distributor)	X	X	X
6	917-0391BX ②	Outdoor Coil – Coated (Includes Distributor)	O	O	O
7	800-0426	Cooling Distributor Assembly	X	X	X
8	917-0383BX	Indoor Coil (Includes Cooling Distributor)	X	X	X
8	917-0395BX ②	Indoor Coil – Coated (Includes Cooling Distributor)	O	O	O
9	7004-011	Air Filter 16" x 25" x 1" Disposable	X	X	X
9	7003-032 ②	Air Filter 16" x 25" x 1" Washable	O	O	O
9	7004-025 ②	Air Filter 16" x 25" x 2" Pleated Disposable	O	O	O
10	1171-022	1/4 Turn Fastener	X	X	X
11	1171-024	1/4 Turn Retainer	X	X	X
12	1171-023	1/4 Turn Receptacle	X	X	X
13	5650-038	Reversing Valve w/24V Solenoid Coil	X	X	X
14	5650-046	Reversing Valve 24V Solenoid	X	X	X
15	5650-044	Molded Plug 53" Lead	X	X	X
16	5201-019	Filter Drier, Bi-Directional, 3/8" Connections	X	X	X
17	8620-224	Defrost Sensor Kit	X	X	X
18	5651-245	Electronic Expansion Valve	X	X	X
19	8406-142	High Pressure Switch (650#) Screw On	X	X	X
20	5625-014	Heating Distributor	X	X	X
21	EEV Controller Assy.	See EEV CONTROLLER ASSEMBLY on page 15	X	X	X
NS	8406-135	Low Pressure Switch (14#) Screw On	X	X	X
NS	8406-158	Low Pressure Transducer	X	X	X
NS	6031-009	Coremax Valve Core (Service Port)	2	2	2
NS	5650-051	Dehumidification Mode Valve	X	X	X
NS	5651-219	Dehumidification Check Valves	2	2	2
NS	8406-105 ②	Low Ambient Fan Cycling Control (350#/225#)	O	O	O
NS	8408-028 ②	Outdoor Thermostat	O	O	O
NS	1171-028	Filter Door Clip	X	X	X
NS	1171-057	Filter Door Screw	X	X	X
NS	1171-027	Filter Door Screw Retainer	X	X	X

NS – Not Shown

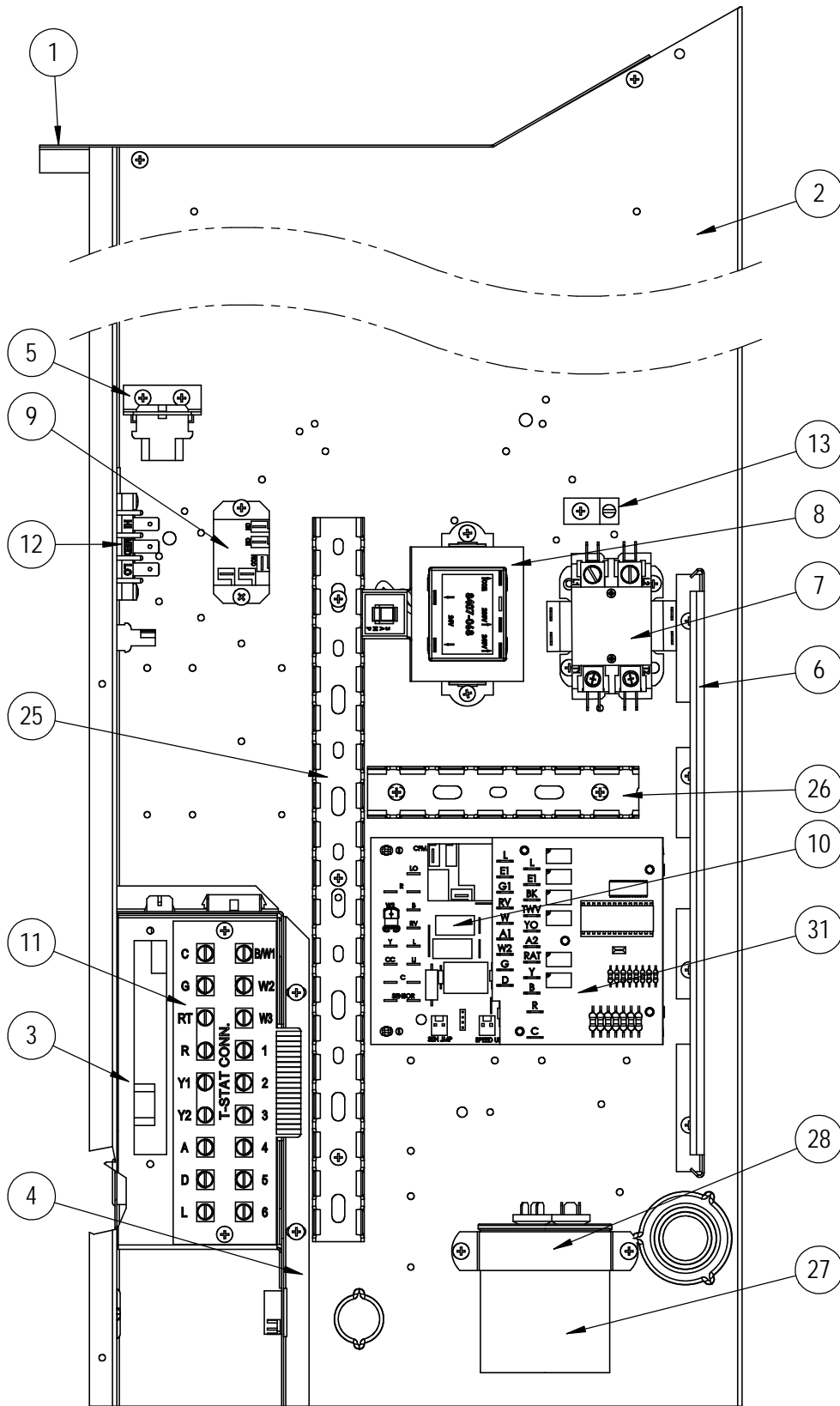
① – Used with stainless steel cabinet option

② – Optional on these models

X – Standard

O – Add-On Option

CONTROL PANEL - 230 VOLT 1 PHASE UNITS



SEXP-987

CONTROL PANEL – 230 VOLT 1 PHASE UNITS

Dwg No.	Part Number	Description	W18HB-A	W24HB-A	W24HBDA
1	117X137	Control Panel Top - RH (Sheet Metal Only)	X	X	X
2	117X374	Control Panel - RH (Sheet Metal Only)	X	X	X
3	117X375	Low Voltage Box - RH (Sheet Metal Only)	X	X	X
4	117X385	Low Voltage Partition - RH (Sheet Metal Only)	X	X	X
NS	3000-1494	Low Voltage Wire Harness (behind LVTS)	X	X	X
NS	910-2047	Complete Low Voltage Box Assembly (Sheet Metal, LVTS & Wire Harness)	X	X	X
5	141-188	Plug Support Bracket (Sheet Metal)	X	X	X
6	135-122	Wire Shield (Sheet Metal)	X	X	X
7	8401-033	Contactora 2-Pole	X	X	X
8	8407-068	Transformer 208/240-24, 50VA	X	X	X
9	8201-130	Relay, SPDT	X	X	X
10	8620-223	Defrost Board Replacement Kit w/Sensor	X	X	X
11	8607-044	Terminal Strip	X	X	X
12	8607-042	Blower Speed Terminal	X	X	X
13	8611-006	Ground Lug	X	X	X
25	8611-140-1400	14" Cable Duct	X	X	X
26	8611-140-0500	5" Cable Duct	X	X	X
27	8552-047	Capacitor 30+5/370 V, 2-1/2" Round	X		
27	8552-050	Capacitor 40+5/370 V, 2-1/2" Round		X	X
28	8550-008	Capacitor Strap, 2-1/2" Round	X	X	X
31	8201-113	Dehumidification Logic Control Board			X
NS	3003-058	Main Control Panel Wire Harness	X	X	
NS	3003-061	Main Control Panel Wire Harness			X
NS	8201-086 ①	LAC and/or ODT Relay	O	O	O
NS	8408-028 ①	Outdoor Thermostat	O	O	O
NS	3000-1598	Blower Power Plug	X	X	X
NS	3000-1599	Blower Speed Plug	X	X	X
NS	4096-168	Wiring Diagram	X	X	
NS	4096-169	Wiring Diagram			X

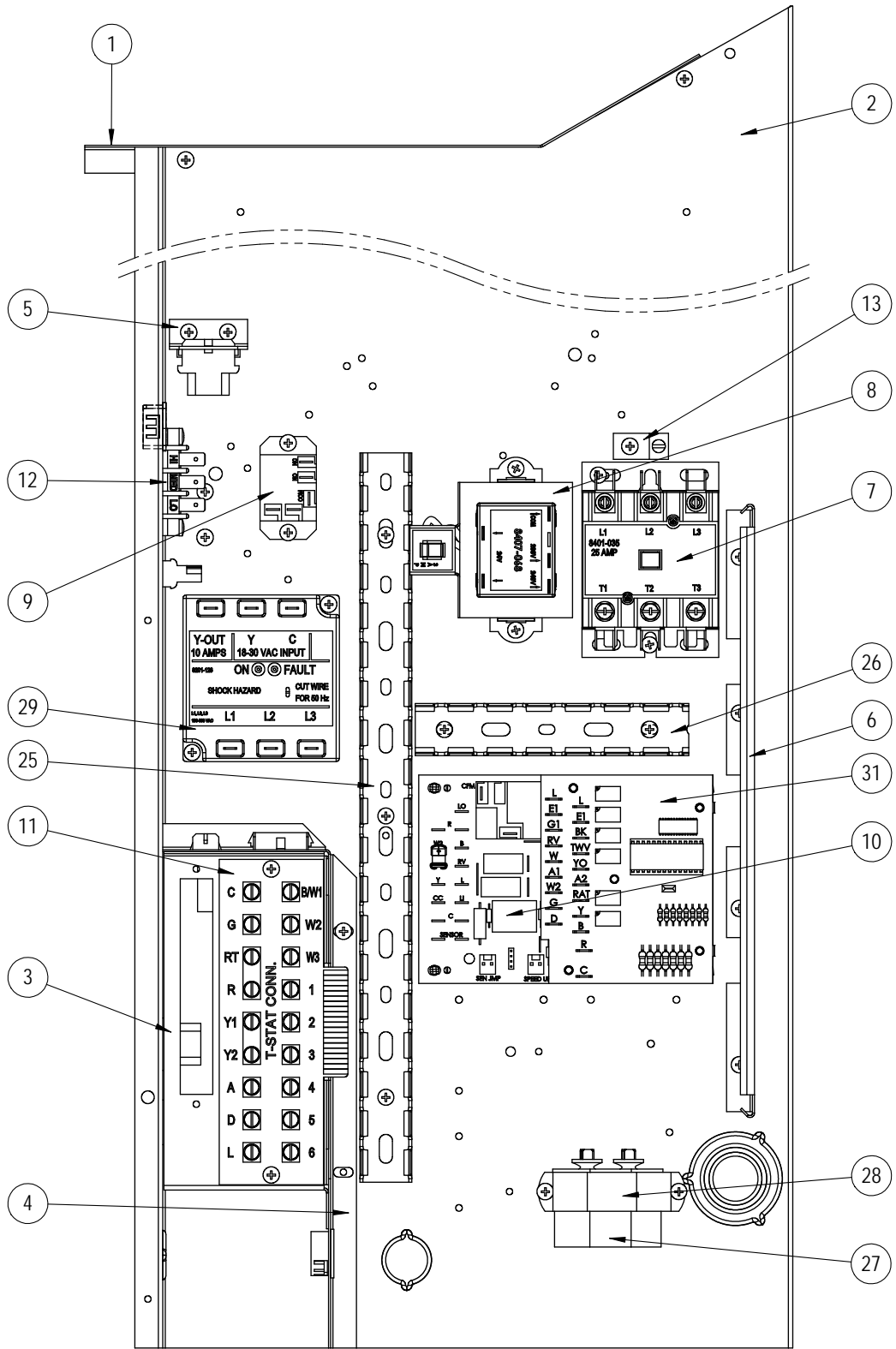
NS – Not Shown

① – Optional

X – Standard

O – Add-On Option

CONTROL PANEL – 230 VOLT 3 PHASE UNITS



SEXP-988

CONTROL PANEL – 230 VOLT 3 PHASE UNITS

Dwg No.	Part Number	Description	W24HB-B	W24HBDB
1	117X137	Control Panel Top - RH (Sheet Metal Only)	X	X
2	117X374	Control Panel - RH (Sheet Metal Only)	X	X
3	117X375	Low Voltage Box - RH (Sheet Metal Only)	X	X
4	117X385	Low Voltage Partition - RH (Sheet Metal Only)	X	X
NS	3000-1494	Low Voltage Wire Harness (behind LVTS)	X	X
NS	910-2047	Complete Low Voltage Box Assembly (Sheet Metal, LVTS & Wire Harness)	X	X
5	141-188	Plug Support Bracket (Sheet Metal)	X	X
6	135-122	Wire Shield (Sheet Metal)	X	X
7	8401-035	Contactors 3-Pole	X	X
8	8407-068	Transformer 208/240-24, 50VA	X	X
9	8201-130	Relay, SPDT	X	X
10	8620-223	Defrost Board Replacement Kit w/Sensor	X	X
11	8607-044	Terminal Strip	X	X
12	8607-042	Blower Speed Terminal	X	X
13	8611-006	Ground Lug	X	X
25	8611-140-1400	14" Cable Duct	X	X
26	8611-140-0500	5" Cable Duct	X	X
27	8552-002	Capacitor 5/370 V, 1-1/4" Oval	X	X
28	8550-003	Capacitor Strap, 1-1/4" Oval	X	X
29	8201-126	3 Phase Line Monitor	X	X
31	8201-113	Dehumidification Logic Control Board		X
NS	3003-059	Main Control Panel Wire Harness	X	
NS	3003-062	Main Control Panel Wire Harness		X
NS	8201-086 ①	LAC and/or ODT Accessory Relay	O	O
NS	8408-028 ①	Outdoor Thermostat	O	O
NS	3000-1598	Blower Power Plug	X	X
NS	3000-1599	Blower Speed Plug	X	X
NS	4096-270	Wiring Diagram	X	
NS	4096-271	Wiring Diagram		X

NS – Not Shown

① – Optional

X – Standard

O – Add-On Option

CONTROL PANEL – 460 VOLT 3 PHASE UNITS

Dwg No.	Part Number	Description	W24HB-C	W24HBDC
1	117X137	Control Panel Top - RH (Sheet Metal Only)	X	X
2	117X374	Control Panel - RH (Sheet Metal Only)	X	X
3	117X375	Low Voltage Box - RH (Sheet Metal Only)	X	X
4	117X385	Low Voltage Partition - RH (Sheet Metal Only)	X	X
NS	3000-1494	Low Voltage Wire Harness (behind LVTS)	X	X
NS	910-2047	Complete Low Voltage Box Assembly (Sheet Metal, LVTS & Wire Harness)	X	X
5	141-188	Plug Support Bracket (Sheet Metal)	X	X
6	135-122	Wire Shield (Sheet Metal)	X	X
7	8401-035	Contactora 3-Pole	X	X
8	8407-069	Transformer 480-24, 50VA	X	X
9	8201-032	Relay, SPDT, 3 FLA@480V	X	X
10	8620-223	Defrost Board Replacement Kit w/Sensor	X	X
11	8607-044	Terminal Strip	X	X
12	8607-042	Blower Speed Terminal	X	X
13	8611-006	Ground Lug	X	X
25	8611-140-1400	14" Cable Duct	X	X
26	8611-140-0500	5" Cable Duct	X	X
27	8552-002	Capacitor 5/370 V, 1-1/4" Oval	X	X
28	8550-003	Capacitor Strap, 1-1/4" Oval	X	X
29	8201-126	3 Phase Line Monitor	X	X
31	8201-113	Dehumidification Logic Control Board		X
NS	3003-060	Main Control Panel Wire Harness	X	
NS	3003-063	Main Control Panel Wire Harness		X
NS	8201-086 ①	LAC and/or ODT Accessory Relay	O	O
NS	8408-028 ①	Outdoor Thermostat	O	O
NS	3000-1598	Blower Power Plug	X	X
NS	3000-1599	Blower Speed Plug	X	X
NS	4096-368	Wiring Diagram	X	
NS	4096-369	Wiring Diagram		X

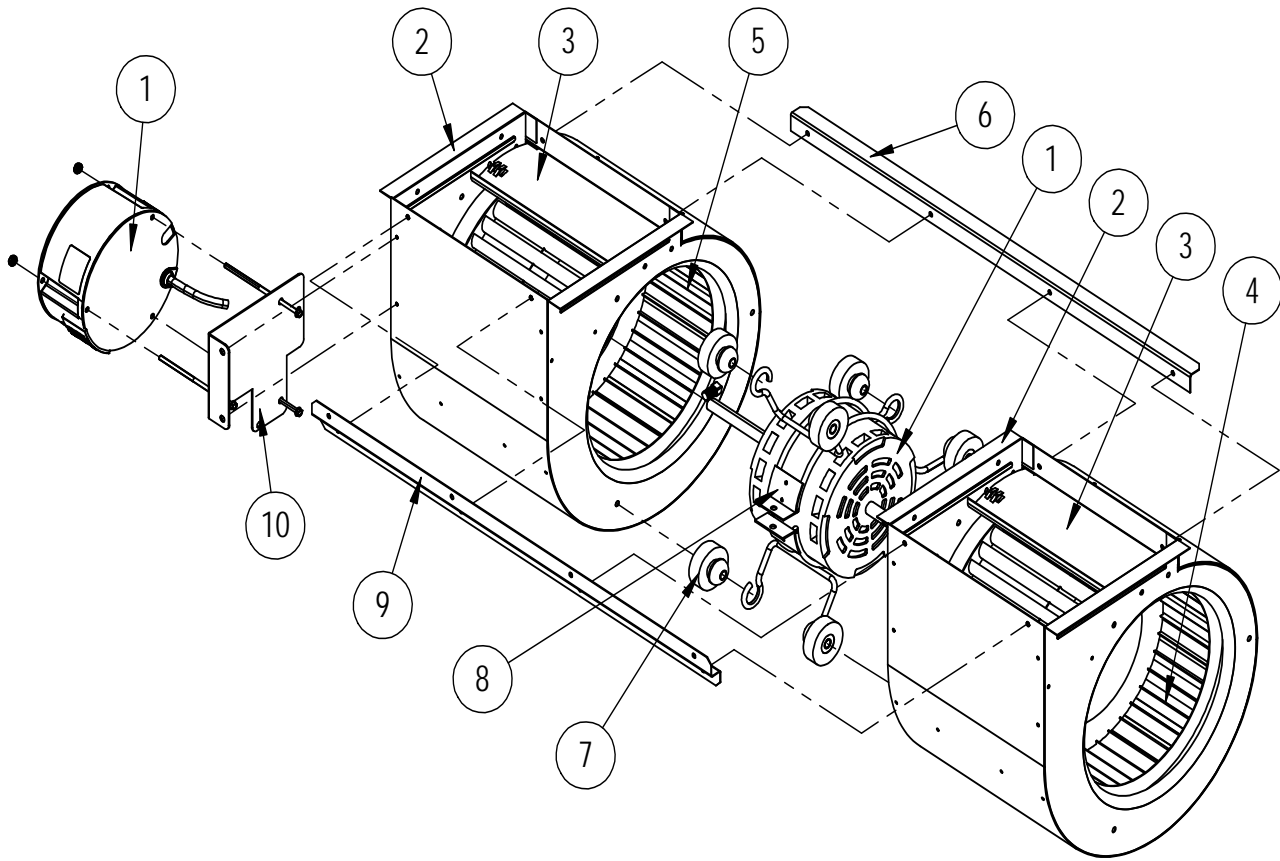
NS – Not Shown

① – Optional

X – Standard

O – Add-On Option

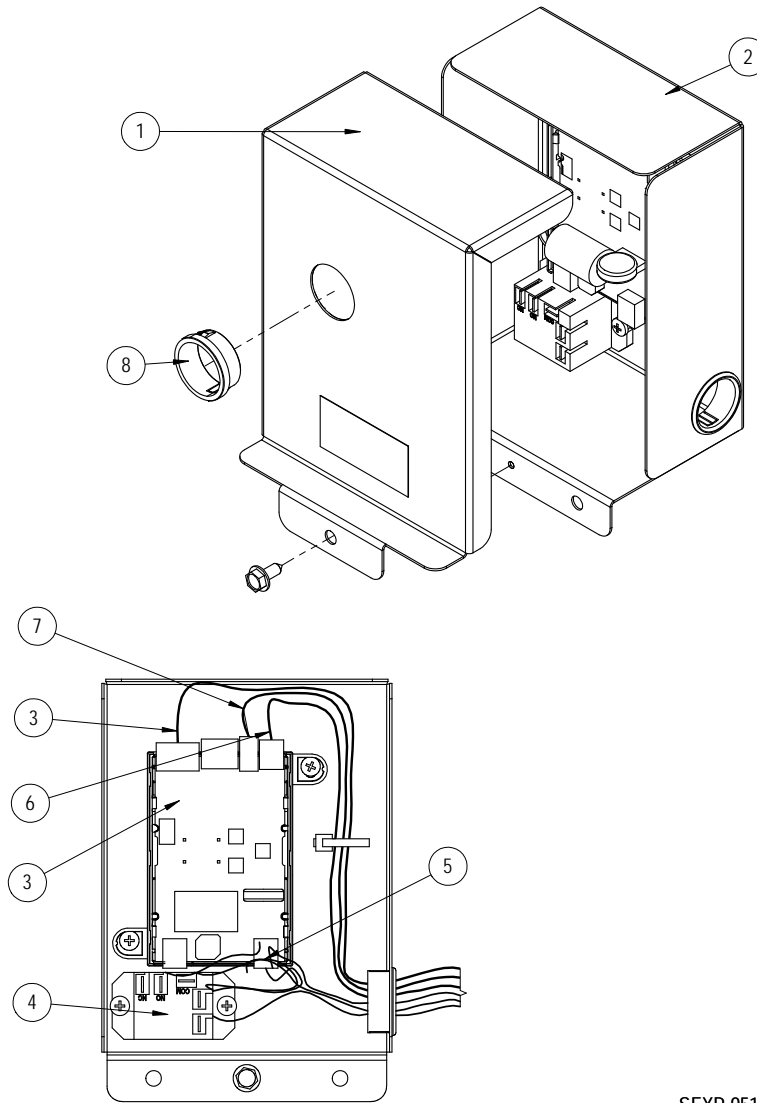
BLOWER ASSEMBLY



SEXP-909

Dwg No.	Part Number	Description	900-358-003	900-358-004	900-359-002
1	S8105-064-0168	Blower Motor & Control (230/208V)	X		
1	S8105-064-0169	Blower Motor & Control (230/208V)		X	
1	S8105-065-0170	Blower Motor & Control (460V)			X
1	C8105-064-0168	Programmed Control Only (230/208V)	0		
1	C8105-064-0169	Programmed Control Only (230/208V)		0	
1	C8105-065-0170	Programmed Control Only (460V)			0
2	151-115	Housing	2	2	2
3	144-183	Cutoff	X	X	X
4	5152-092	Wheel 9-6 CW	X	X	X
5	5152-093	Wheel 9-6 CCW	X	X	X
6	105-1061	Back Brace	X	X	X
7	5451-011	Grommets	6	6	6
8	8200-031	Motor Mount	X	X	X
9	103-435	Front Brace	X	X	X
10	113-721	Motor Control Bracket	X	X	X

EEV CONTROLLER ASSEMBLY



SEXP-951

S910-2050-002

Dwg No.	Part Number	Description	
1	143-219	EEV Control Box Cover	X
2	127-572	EEV Control Box	X
3	S8301-079-0002	EEV Control & Stator Cable	X
3	5651-246	EEV Stator Cable Only	X
4	8201-130	Control Relay	X
5	3000-1602	Main Wire Assembly	X
6	3000-1611	Transducer Wire Assembly – EEV Board to QC	X
7	8408-056	EEV Thermistor	X
8	8611-075	Clear Snap Plug	X