
REPLACEMENT PARTS MANUAL

Wall Mounted Packaged Heat Pump

Models:

T30S2-A T30S2DA
T30S2-B T30S2DB
T30S2-C T30S2DC

General Notes

- Revised and/or additional pages may be issued from time to time.
- A complete and current manual consists of pages shown in the following contents section.

Important

- Contact the installing and/or local Bard distributor for all parts requirements. Be sure to have the complete model and serial number available from the unit rating plates.

Contents

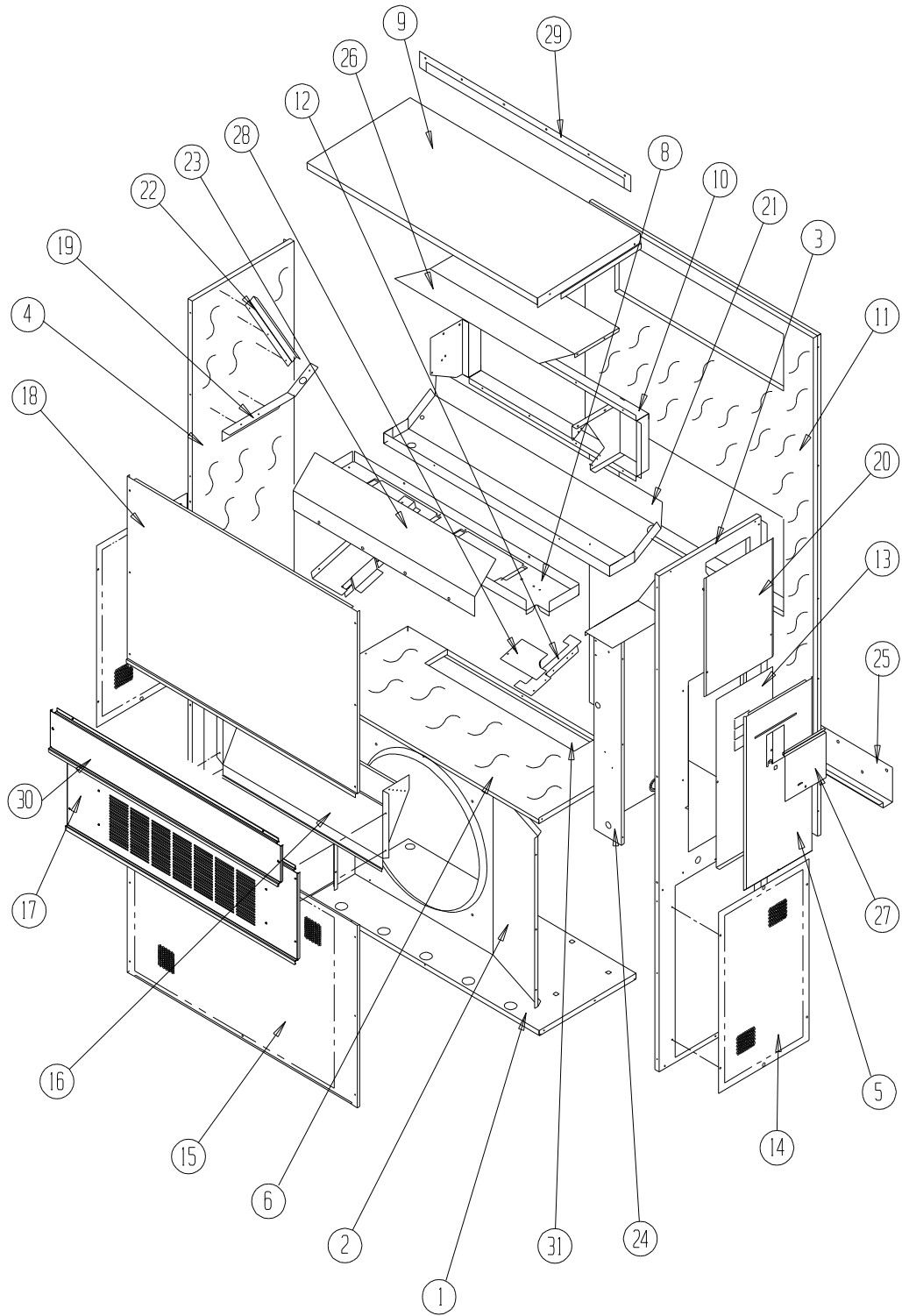
<u>Description</u>	<u>Page</u>
Cabinet Components	
♦ Exploded View	2
♦ Usage List	3
Functional Components	
♦ Exploded View	4
♦ Usage List	5
♦ Usage List – Dehum. Models.....	6
Control Panel	
♦ Layout View	8
♦ Usage List	9
Control Panel – Dehum. Models	
♦ Layout View	10
♦ Usage List	11
Blower Assembly	
♦ Exploded View	12
♦ Usage List	12



Bard Manufacturing Company, Inc.
Bryan, Ohio 43506
www.bardhvac.com

Manual: 2110-1552G
Supersedes: 2110-1552F
Date: 1-4-24

CABINET COMPONENTS



SEXP-514 A

CABINET COMPONENTS

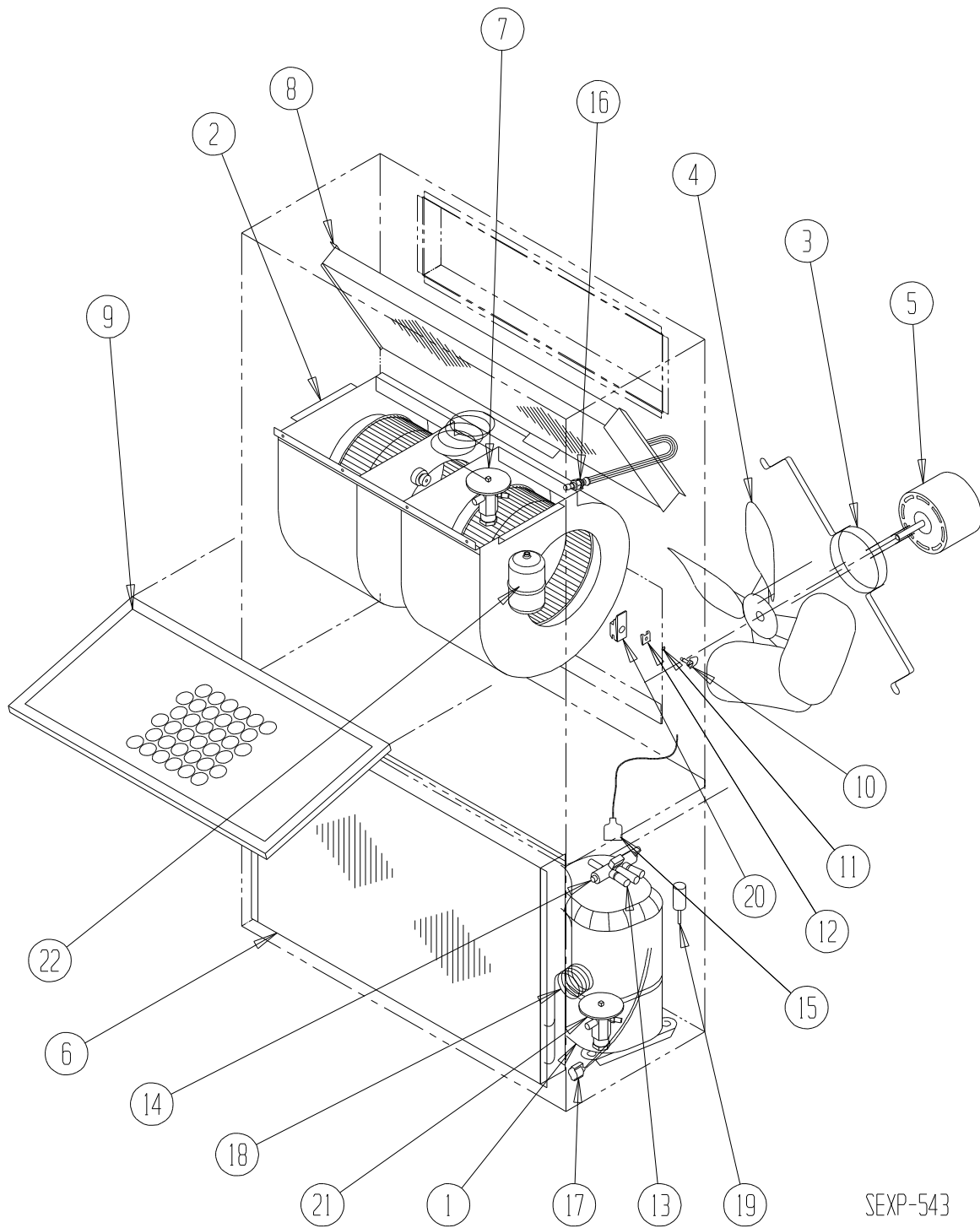
Dwg. No.	Part Number	Description	T30S2-A, -B	T30S2-C	T30S2DA, DB	T30S2DC
1	S127-199	Lower Base	X	X	X	X
2	125-022	Fan Shroud	X	X	X	X
2	125-057 ③	Fan Shroud	X	X	X	X
3	S500-228.* ①	Right Side	X	X	X	X
3	S500-441.* ②	Right Side	X	X	X	X
3	S500-527.* ③	Right Side	X	X	X	X
3	S500-954.* ④	Right Side	X	X	X	X
4	S500-229.* ①	Left Side	X	X	X	X
4	S500-442.* ②	Left Side	X	X	X	X
4	S500-528.* ③	Left Side	X	X	X	X
4	S500-953.* ④	Left Side	X	X	X	X
5	S533-109.* ①	Control Panel Cover (Outer)	X	X	X	X
5	S533-182.* ②	Control Panel Cover (Outer)	X	X	X	X
5	S533-197.* ③	Control Panel Cover (Outer)	X	X	X	X
6	S521X384	Condenser Partition	X	X	X	X
6	S521X531 ④	Condenser Partition	X	X	X	X
8	121X182	Blower Partition	X	X	X	X
9	S506-277.* ①	Top	X	X	X	X
9	S506-245.* ②	Top	X	X	X	X
9	S506-275.* ③	Top	X	X	X	X
9	S506-365.* ④	Top	X	X	X	X
10	S111X030	Outlet Air Frame Assembly	X	X	X	X
11	S508-088	Back	X	X	X	X
11	S508-185 ②	Back	X	X	X	X
11	S508-222 ③	Back	X	X	X	X
11	S508-357 ④	Back	X	X	X	X
12	113X195	Filter Bracket	2	2	2	2
13	S132-104	Control Panel Cover (Inner)	X		X	
13	S132-345	Control Panel Cover (Inner)		X		X
14	118-056.* ①	Side Grille	2	2	2	2
14	118-060.* ②	Side Grille	2	2	2	2
14	118-067.* ③	Side Grille	2	2	2	2
15	118-059.* ①	Condenser Grille	X	X	X	X
15	118-061.* ②	Condenser Grille	X	X	X	X
15	118-066.* ③	Condenser Grille	X	X	X	X
16	BFAD-3	Fresh Air Damper Assembly	X	X	X	X
17	S552-444.* ①	Service Door	X	X	X	X
17	S552-446.* ②	Service Door	X	X	X	X
17	S552-458.* ③	Service Door	X	X	X	X
18	S514-160.* ①	Upper Front	X	X	X	X
18	S514-161.* ②	Upper Front	X	X	X	X
18	S514-166.* ③	Upper Front	X	X	X	X
18	S514-314.* ④	Upper Front	X	X	X	X
19	105X850	Left Side Support	X	X	X	X
20	S143-034.* ①	Right Side Cover Plate (Outer)	X	X	X	X
20	S143-103.* ②	Right Side Cover Plate (Outer)	X	X	X	X
20	S143-127.* ③	Right Side Cover Plate (Outer)	X	X	X	X
21	S123-127	Drain Pan	X	X	X	X
22	147-044	Left Evaporator Support	X	X	X	X
23	135-124	Air Baffle Shield	X	X	X	X
24	Control Panel Assembly	See Control Panel Assembly Drawing and Parts List Assembly	X	X	X	X
25	113-140	Bottom Mounting Bracket	X	X	X	X
26	135X123	Heat Shield	X	X	X	X
27	S153-218.* ①	Disconnect Access Door	X	X	X	X
27	S153-387.* ②	Disconnect Access Door	X	X	X	X
27	S153-405.* ③	Disconnect Access Door	X	X	X	X
28	137-259	Fill Plate	X	X	X	X
29	113-149.* ①	Top Rain Flashing	X	X	X	X
29	113-360.* ③	Top Rain Flashing	X	X	X	X
30	S552-444.* ①	Filter Door Assembly	X	X	X	X
30	S552-447.* ②	Filter Door Assembly	X	X	X	X
30	S553-459.* ③	Filter Door Assembly	X	X	X	X
30	S552-658.* ④	Filter Door Assembly	X	X	X	X
31	S536-498	Condenser Part. Blank-Off Plate	X	X	X	X
31	S536-802.* ④	Condenser Part. Blank-Off Plate	X	X	X	X
NS	141-357	Compressor Mounting Plate	X	X	X	X

① Exterior cabinet parts are manufactured with various paint color options. To ensure the proper paint color is received, please reference the following codes:

Beige -X White -1 Buckeye Gray -4
Desert Brown -5 Dark Bronze -8

② Aluminum A ③ Stainless Steel S ④ Non Fiberglass Insulation Option NS = Not Shown

FUNCTIONAL COMPONENTS



SEXP-543

FUNCTIONAL COMPONENTS

Dwg. No.	Part Number	Description	T30S2-A	T30S2-B	T30S2-C
1	8000-388	Compressor	X		
1	8000-389	Compressor		X	
1	8000-390	Compressor			X
2	900-316-0108BX	Blower Assembly	X	X	X
3	8200-001	Fan Motor Mount	X	X	X
4	5151-045	Fan Blade	X	X	X
5	8105-074	Condenser Motor	X	X	X
6	5051-112BX	Condenser Coil	X	X	X
7	5651-231	Cooling TXV	X	X	X
8	5060-163BX	Evaporator Coil	X	X	X
9	7004-019	Air Filter 1" Throw-Away	X	X	X
9	7004-062	Air Filter 2" Pleated MERV 13 ①	X	X	X
9	7004-048	Air Filter 2" Pleated MERV 11 ①	X	X	X
9	7004-026	Air Filter 2" Pleated MERV 8 ①	X	X	X
10	1171-022	1/4" Turn Fastener	X	X	X
11	1171-024	1/4" Turn Retainer	X	X	X
12	1171-023	1/4" Receptacle	X	X	X
13	5650-039	Reversing Valve with 24V Solenoid Coil	X	X	X
14	5650-042	Rev. Valve Solenoid, Red Casing (Ranco)	X	X	X
14	5650-046	Rev. Valve Solenoid, Black Casing (San Hua)	X	X	X
15	5650-037	Molded Plug 36" Lead	X	X	X
16	800-0392	Cooling Distributor Assembly w/Orifice	X	X	X
17	8620-224	Defrost Sensor	X	X	X
18	800-0403	Heating Distributor	X	X	X
19	1804-0462	High Pressure Switch (Flare) ①	X	X	X
21	5651-177	Heating TXV	X	X	X
22	5201-009	Filter Drier (Bi-Direct)	X	X	X
NS	S1804-0107	Low Pressure Switch (Flare) ①	X	X	X
NS	CMH-20	Low Ambient Control (Flare) ①	X	X	
NS	CMH-21	Low Ambient Control (Flare) ①			X
NS	3000-1276	Molded Compressor Plug	X		
NS	3000-1223	Molded Compressor Plug Low Voltage	X	X	X
NS	8002-012	Sound Cover	X	X	X
NS	6031-009	Coremax Valve Core	X	X	X
NS	8407-058	Stepdown Transformer 480V/240V 1.0KVA			X

NS – Not Shown

① – Optional

FUNCTIONAL COMPONENTS – DEHUM. MODELS

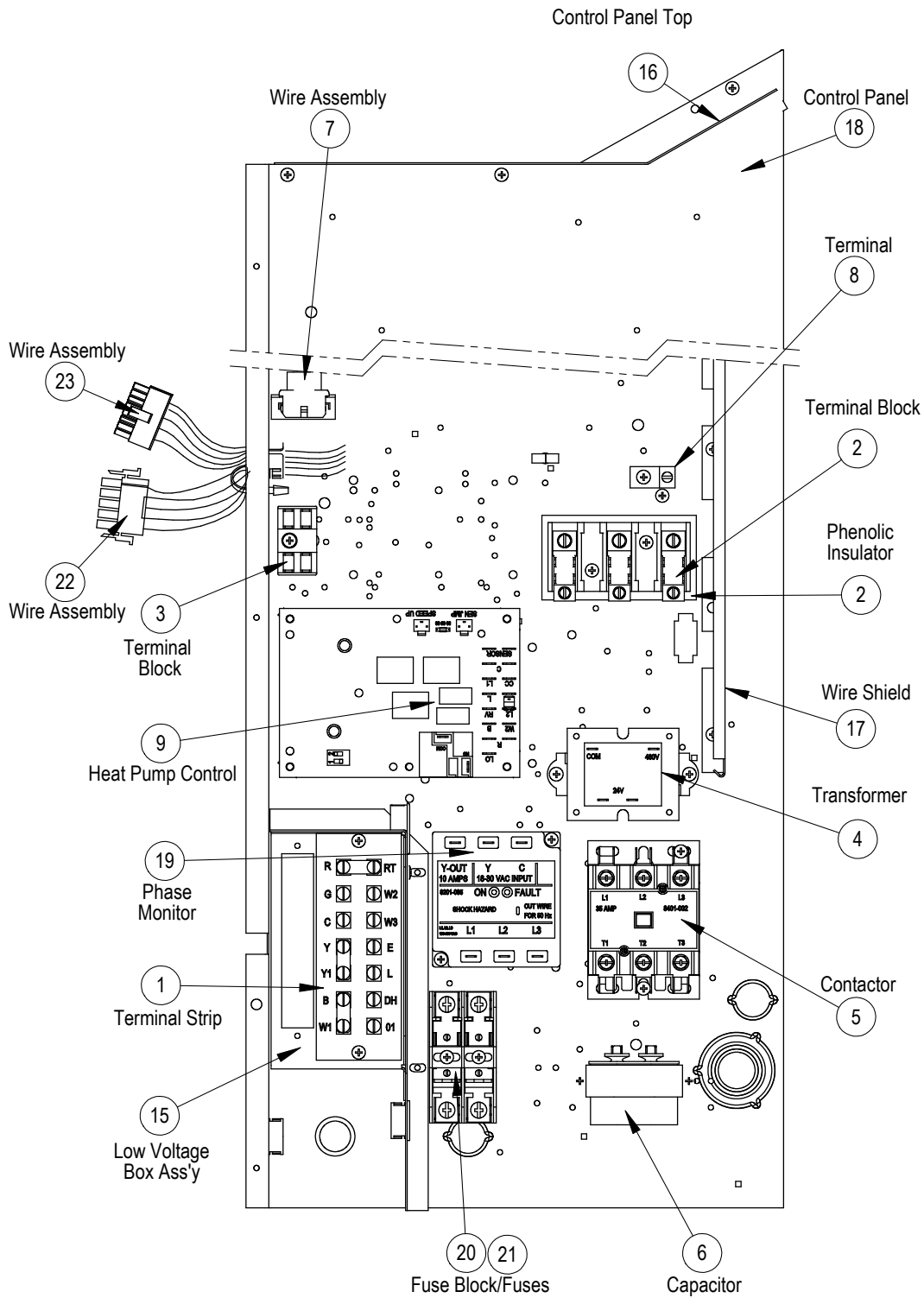
Dwg. No.	Part Number	Description	T30S2DA	T30S2DB	T30S2DC
1	8000-388	Compressor	X		
1	8000-389	Compressor		X	
1	8000-390	Compressor			X
2	900-316-0108BX	Blower Assembly	X	X	X
3	8200-001	Fan Motor Mount	X	X	X
4	5151-045	Fan Blade	X	X	X
5	8105-074	Condenser Motor	X	X	X
6	5051-112BX	Condenser Coil	X	X	X
7	5651-177	Cooling TXV	X	X	X
8	917-0184BX	Evaporator Coil Assembly	X	X	X
9	7004-019	Air Filter 1" Throw-Away	X	X	X
9	7004-048	Air Filter 2" Pleated MERV 11 ①	X	X	X
9	7004-026	Air Filter 2" Pleated MERV 8 ①	X	X	X
10	1171-022	1/4" Turn Fastener	X	X	X
11	1171-024	1/4" Turn Retainer	X	X	X
12	1171-023	1/4" Receptacle	X	X	X
13	5650-039	Reversing Valve with 24V Solenoid Coil	X	X	X
14	5650-042	Rev. Valve Solenoid, Red Casing (Ranco)	X	X	X
14	5650-046	Rev. Valve Solenoid, Black Casing (San Hua)	X	X	X
15	5650-037	Molded Plug 36" Lead	2	2	2
16	800-0392	Cooling Distributor	X	X	X
17	8620-224	Defrost Sensor	X	X	X
18	800-0403	Heating Distributor	X	X	X
19	1804-0462	High Pressure Switch (Flare) ①	X	X	X
21	5651-177	Heating TXV	X	X	X
22	5201-009	Filter Drier (Bi-Direct)	X	X	X
NS	S1804-0107	Low Pressure Switch (Flare) ①	X	X	X
NS	8408-038	Freeze Stat	X	X	X
NS	CMH-20	Low Ambient Control (Flare) ①	X	X	
NS	CMH-21	Low Ambient Control (Flare) ①			X
NS	3000-1244	Molded Compressor Plug		X	X
NS	3000-1276	Molded Compressor Plug	X		
NS	5625-117	Flow Control (Orifice)	X	X	X
NS	5650-045	3-Way Valve with 24V Solenoid Coil	X	X	X
NS	3000-1223	Molded Compressor Plug Low Voltage	X	X	X
NS	8002-012	Sound Cover	X	X	X
NS	6031-009	Coremax Valve Core	X	X	X
NS	8407-058	Stepdown Transformer 480V/240V 1.0KVA			X

NS – Not Shown

① – Optional

This page intentionally left blank.

CONTROL PANEL



SEXP-993

CONTROL PANEL

Dwg. No.	Part Number	Description	T30S2-A	T30S2-B	T30S2-C
1	8607-031	Low Voltage Terminal Strip	X	X	X
2	8607-013	Terminal Block 2 Pole	X		
2	8607-014	Terminal Block 3 Pole		X	X
2	8607-015	Phenolic Insulator			X
3	8607-017	Terminal Block			X
4	8407-068	Transformer	X	X	
4	8407-042	Transformer			X
5	S8401-006	Compressor Contactor	X		
5	S8401-002	Compressor Contactor		X	X
6	8552-035	Compressor Capacitor	X		
7	3000-1379	6 Pin Connector	X	X	X
8	8611-006	Ground Terminal	X	X	X
9	8620-223	Heat Pump Control Board w/Defrost Sensor	X	X	X
12	8201-130	Outdoor Fan Relay			X
15	117X138	Low Voltage Box	X	X	X
16	117X137	Control Panel Top	X	X	X
17	135-122	Wire Shield	X	X	X
18	117X123	Control Panel	X	X	X
19	8201-174BX	Phase Monitor		X	X
20	8614-041	Fuse Block			X
21	8614-046	Fuse			2
22	3000-1356	Blower Power Harness	X	X	X
23	3000-1378	Blower Control Harness	X	X	X
NS	8551-004	Start Device ① (PTCR)	X		
NS	8201-130	LAC Bypass Relay ①	X	X	X
NS	4096-172	Wiring Diagram	X		
NS	4096-272	Wiring Diagram		X	
NS	4096-372	Wiring Diagram			X
NS	8615-038	Circuit Breaker 35A 2 Pole (OZ) ②	X		
NS	8615-054	Circuit Breaker 20A 3 Pole (OZ) ②		X	
NS	8615-051	Circuit Breaker 25A 3 Pole (OZ) ②			X
NS	S8615-101	Rotary Disconnect (OZ) ②			X
NS	3000-1252	Electric Heat Jumper Plug ③	X	X	X

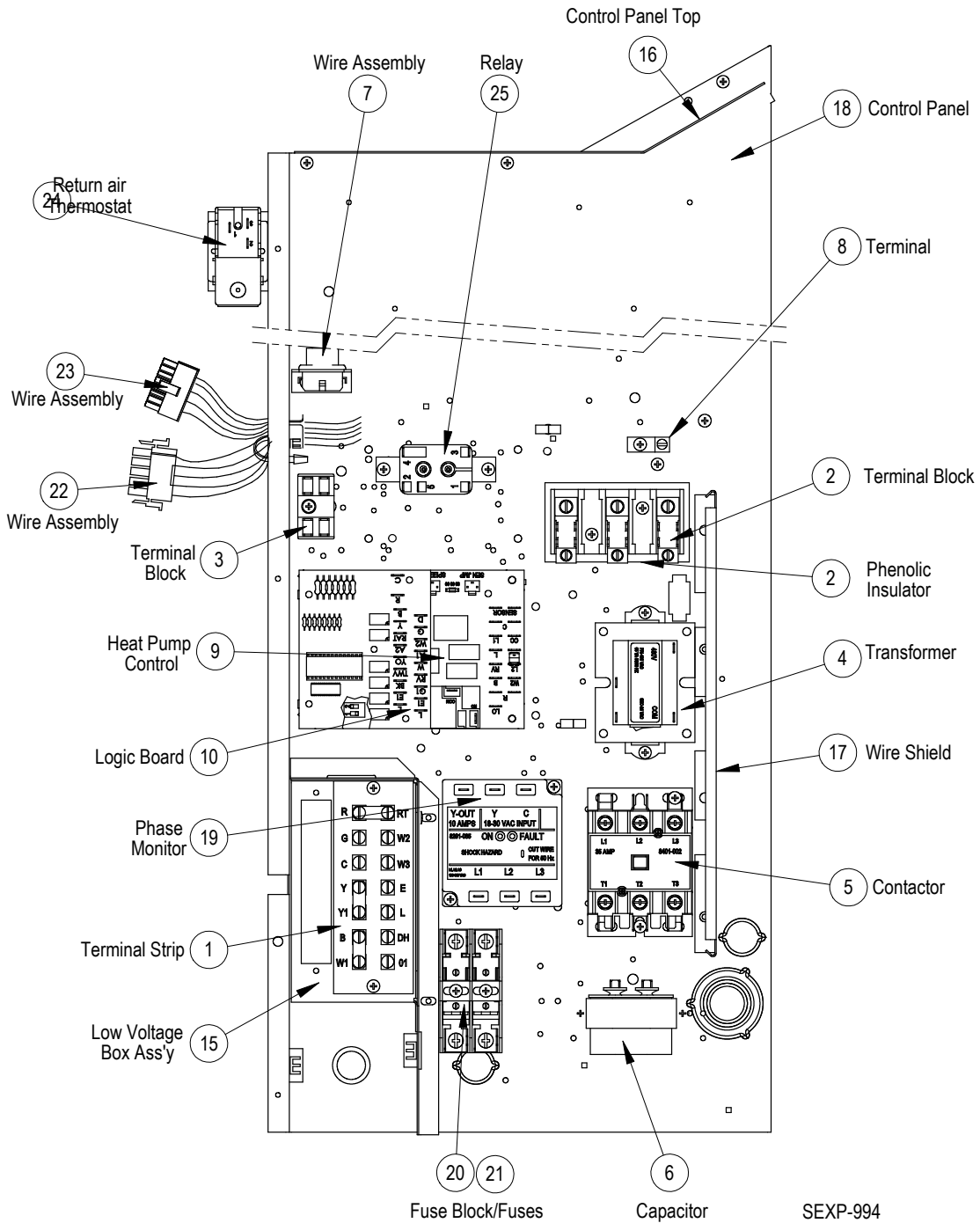
NS = Not shown

① Optional on these models.

② Circuit breakers listed are for units without electric heat "OZ" models. See heater replacement parts manual for units with electric heat.

③ Only on units without electric heat.

CONTROL PANEL – DEHUM. MODELS



SEXP-994

CONTROL PANEL – DEHUM. MODELS

Dwg. No.	Part Number	Description	T30S2DA	T30S2DB	T30S2DC
1	8607-031	Low Voltage Terminal Strip	X	X	X
2	8607-013	Terminal Block 2 Pole	X		
2	8607-014	Terminal Block 3 Pole		X	X
2	8607-015	Phenolic Insulator			X
3	8607-017	Terminal Block	X	X	X
4	8407-065	Transformer	X	X	
4	8407-050	Transformer			X
5	S8401-006	Compressor Contactor	X		
5	S8401-002	Compressor Contactor		X	X
6	8552-035	Compressor Capacitor	X		
7	3000-1377	6 Pin Connector	X	X	X
8	8611-006	Ground Terminal	X	X	X
9	8620-223	Heat Pump Control Board w/Defrost Sensor	X	X	X
10	8201-113	Dehumidification Logic Board	X	X	X
12	8201-130	Outdoor Fan Relay			X
15	117X138	Low Voltage Box	X	X	X
16	117X137	Control Panel Top	X	X	X
17	135-122	Wire Shield	X	X	X
18	117X123	Control Panel	X	X	X
19	8201-174BX	Phase Monitor		X	X
20	8614-041	Fuse Block			X
21	8614-046	Fuse			2
22	3000-1356	Blower Power Harness	X	X	X
23	3000-1378	Blower Control Harness	X	X	X
24	8408-037	Return Air Thermostat	X	X	X
25	8201-062	Relay	X	X	X
NS	8551-004	Start Device ① (PTCR)	X		
NS	4096-173	Wiring Diagram	X		
NS	4096-273	Wiring Diagram		X	
NS	4096-373	Wiring Diagram			X
NS	8615-038	Circuit Breaker 35A 2 Pole (OZ) ②	X		
NS	8615-054	Circuit Breaker 20A 3 Pole (OZ) ②		X	
NS	8615-051	Circuit Breaker 25A 3 Pole (OZ) ②			X
NS	S8615-101	Rotary Disconnect (OZ) ②			X
NS	3000-1252	Electric Heat Jumper Plug ③	X	X	X

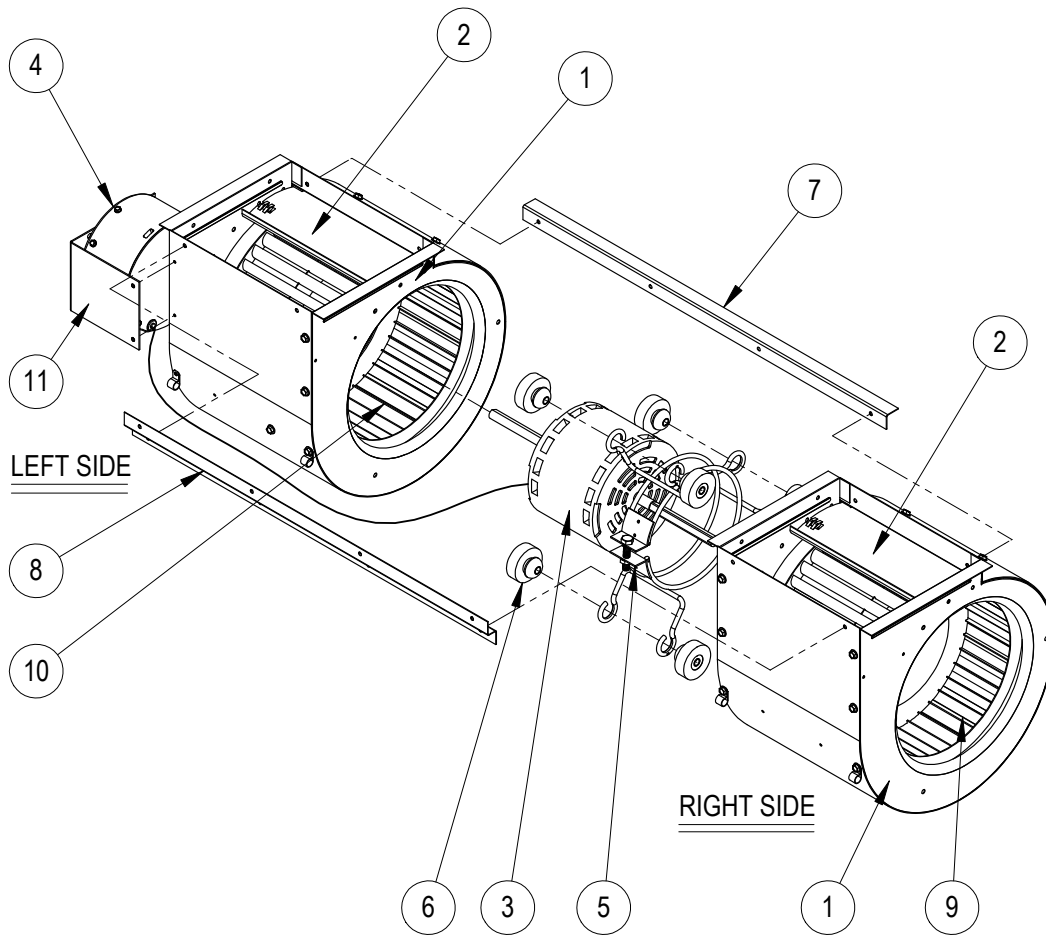
NS = Not shown

① Optional on these models.

② Circuit breakers listed are for units without electric heat "OZ" models. See heater replacement parts manual for units with electric heat.

③ Only on units without electric heat.

BLOWER ASSEMBLY



SEXP-583 A

900-316-0108BX

Dwg. No.	Part Number	Description	
1	151-111	Blower Housing	2
2	144-174	Diffuser	2
3 & 4	8105-075-0108BX	Blower Motor 1/3 HP ECM Motor w/Programmed Control	X
5	8200-031	Motor Mount	X
6	5451-011	Grommets	6
7	105-870	Back Brace	X
8	103-401	Front Brace	X
9	5152-090	Blower Wheel	X
10	5152-091	Blower Wheel	X
11	113-637	Blower Motor Control Bracket	X