
REPLACEMENT PARTS MANUAL

Wall Mount Heat Pump

Models:

W42HC-A	W48HC-A	W60HC-A
W42HC-B	W48HC-B	W60HC-B
W42HC-C	W48HC-C	W60HC-C
W42HCDA	W48HCDA	W60HCDA
W42HCDB	W48HCDB	W60HCDB
W42HCDC	W48HCDC	W60HCDC

Contents

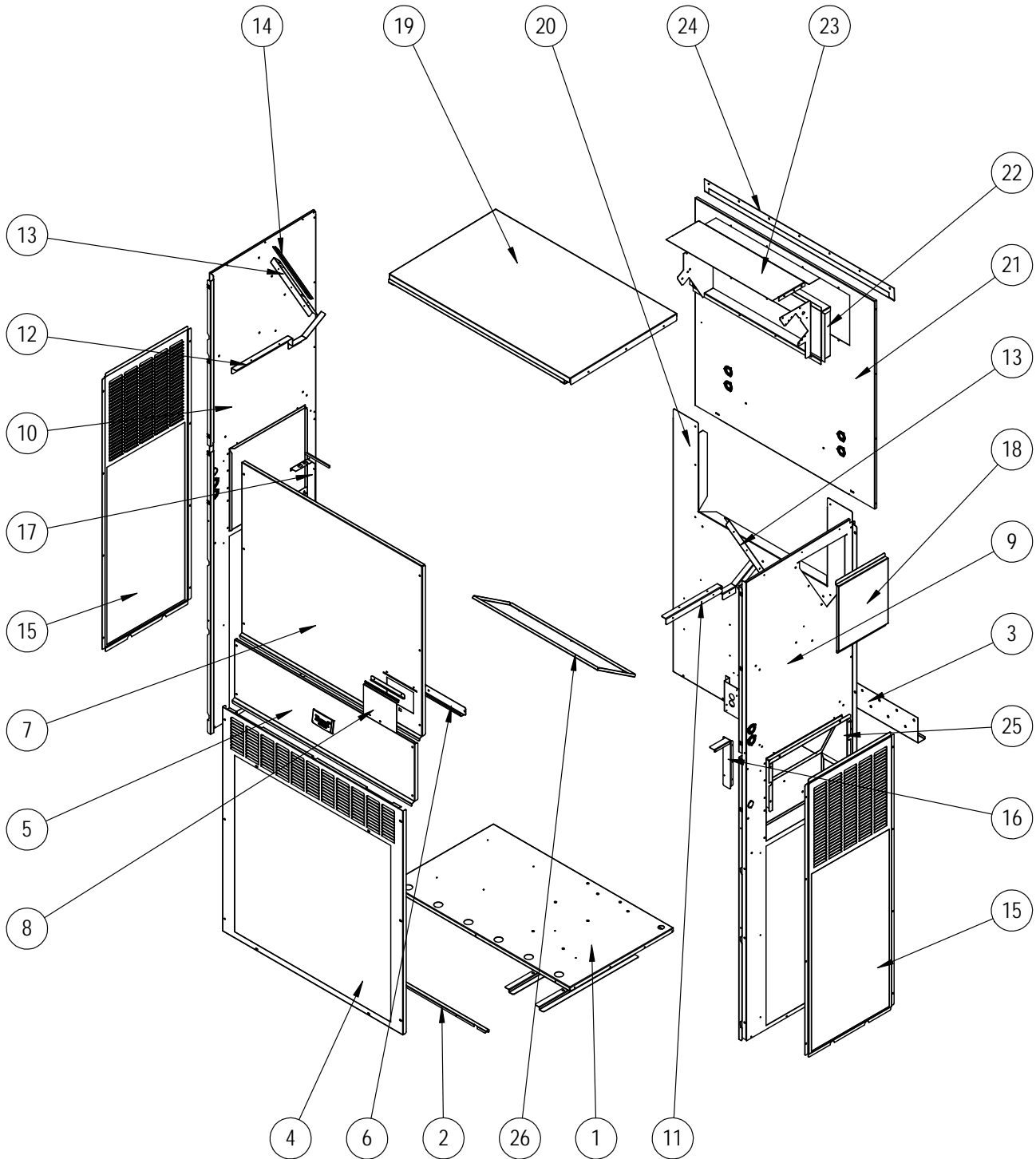
Description	Page	Description	Page
External Parts – Standard & Dehum.		Control Panel – Standard & Dehum.	
♦ Exploded View	2	♦ Layout View	14
♦ Usage List	3	♦ Usage List	15
♦ Usage List	4	Blower Assembly	
Internal Parts – Standard & Dehum.		♦ Exploded View	16
♦ Exploded View	6	♦ Usage List	16
♦ Usage List	7		
♦ Usage List	8	General Notes	
Functional Components – Standard & Dehum.		➤ Revised and/or additional pages may be issued from time to time.	
♦ Exploded View	10	➤ A complete and current manual consists of pages shown in the following contents section.	
♦ Usage List	11		
♦ Usage List	12	Important	
EEV Controller Assembly		➤ Contact the installing and/or local Bard distributor for all parts requirements. Make sure to have the complete model and serial number available from the unit rating plates.	
♦ Exploded View	13		
♦ Usage List	13		



Bard Manufacturing Company, Inc.
Bryan, Ohio 43506
www.bardhvac.com

Manual: 2110-1553B
Supersedes: 2110-1553A
Date: 6-4-20

EXTERNAL PARTS – STANDARD & DEHUMIDIFICATION



SEXP-932

This drawing to be used for reference for pages 3 and 4

EXTERNAL PARTS – STANDARD & DEHUMIDIFICATION

Dwg No.	Part Number	Description	W42HC-A, B, C	W42HBDA, B, C	W48HC-A, B, C	W48HBDA, B, C
1	S127-574	Unit Base	X	X	X	X
1	S127-584 ③	Unit Base	0	0	0	0
2	113-762	Front Base Bracket	X	X	X	X
2	113-797 ③	Front Base Bracket	0	0	0	0
3	113-140	Bottom Mounting Bracket	X	X	X	X
4	119-125-* ①	Front Grille	X	X	X	X
4	119-148 ②	Front Grille	0	0	0	0
4	119-135 ③	Front Grille	0	0	0	0
5	S533-301-* ①	Control Panel Cover (Outer)	X	X	X	X
5	S533-309 ②	Control Panel Cover (Outer)	0	0	0	0
5	S533-310 ③	Control Panel Cover (Outer)	0	0	0	0
6	S165-608-* ①	Rain Channel	X	X	X	X
6	S165-609 ②	Rain Channel	0	0	0	0
6	S165-610 ③	Rain Channel	0	0	0	0
7	S515-323-* ①	Upper Front	X	X	X	X
7	S515-328 ②	Upper Front	0	0	0	0
7	S515-330 ③	Upper Front	0	0	0	0
8	153-717-* ①	Disconnect Access Door	X	X	X	X
8	153-723 ②	Disconnect Access Door	0	0	0	0
8	153-724 ③	Disconnect Access Door	0	0	0	0
9	S501-1053-* ①	Right Side	X	X	X	X
9	S501-1072 ②	Right Side	0	0	0	0
9	S501-1076 ③	Right Side	0	0	0	0
10	501-1054-* ①	Left Side	X	X	X	X
10	501-1073 ②	Left Side	0	0	0	0
10	501-1077 ③	Left Side	0	0	0	0
11	105X1454	Right Support Angle	X	X	X	X
12	105Y1454	Left Support Angle	X	X	X	X
13	105-1457	Coil Support	2	2	2	2
14	147-055	Coil Support Offset	X	X	X	X
15	119-126-* ①	Side Grille	2	2	2	2
15	119-142 ②	Side Grille	2	2	2	2
15	119-136 ③	Side Grille	2	2	2	2
16	105-1450	Right Control Panel Angle	X	X	X	X
17	105-1451	Left Control Panel Angle	X	X	X	X
18	S543-221-* ①	Heater Access Cover	X	X	X	X
18	S543-228 ②	Heater Access Cover	0	0	0	0
18	S543-229 ③	Heater Access Cover	0	0	0	0
19	507-382-* ①	Top	X	X	X	X
19	507-391 ②	Top	0	0	0	0
19	507-392 ③	Top	0	0	0	0
20	109-412	Lower Back	X	X	X	X
20	109-418 ②	Lower Back	0	0	0	0
20	109-422 ③	Lower Back	0	0	0	0
21	S509-411	Upper Back	X	X	X	X
21	S509-417 ②	Upper Back	0	0	0	0
21	S509-421 ③	Upper Back	0	0	0	0
22	S111-299	Outlet Air Frame Assembly	X	X	X	X
23	535-129	Heat Shield	X	X	X	X
24	113-150-* ①	Top Rain Flashing	X	X	X	X
24	113-150-4 ②	Top Rain Flashing	0	0	0	0
24	113-359 ③	Top Rain Flashing	0	0	0	0
25	539-406	Fresh Air Damper Assembly	X	X	X	X
25	543-222	Intake Blank Off Plate	0	0	0	0
26	543-220	Exhaust Blank Off Plate	X	X	X	X

- ① Exterior cabinet parts are manufactured with various paint color options. To ensure the proper paint color is received, include the complete model and serial number of the unit for which cabinet parts are being ordered.
- ② Exterior cabinet parts are manufactured from aluminum Code "A" (#24 - Top rain flashing not available in aluminum; order 113-150-4 (Buckeye Gray).
- ③ Exterior cabinet parts are manufactured from stainless steel Code "S"

X – Standard Component
O – Optional Component

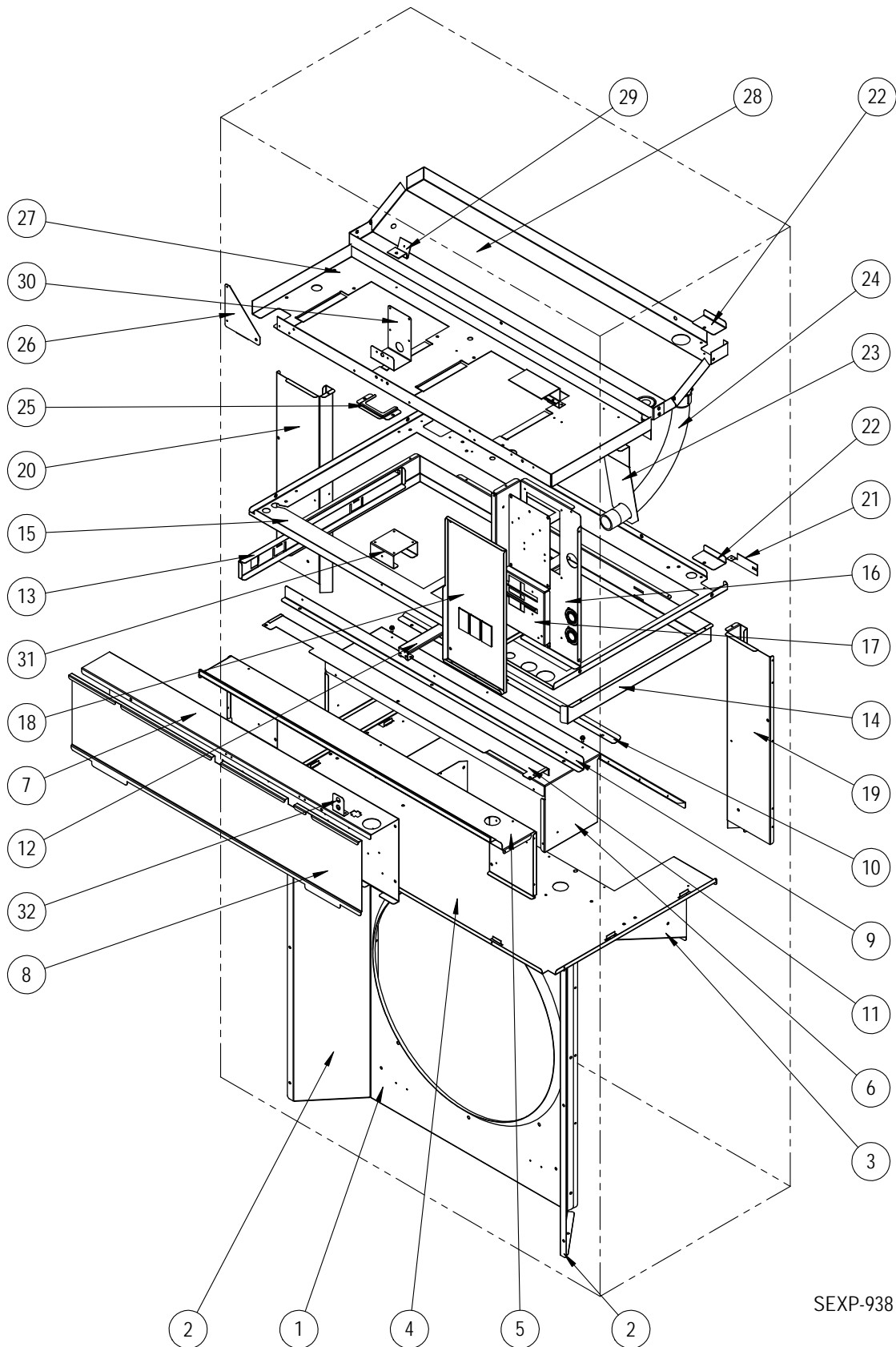
EXTERNAL PARTS – STANDARD & DEHUMIDIFICATION

Dwg No.	Part Number	Description	W60HC-A, B, C	W60HBDA, B, C
1	S127-574	Unit Base	X	X
1	S127-584 ③	Unit Base	O	O
2	113-762	Front Base Bracket	X	X
2	113-797 ③	Front Base Bracket	O	O
3	113-140	Bottom Mounting Bracket	X	X
4	119-127-* ①	Front Grille	X	X
4	119-149 ②	Front Grille	O	O
4	119-137 ③	Front Grille	O	O
5	S533-301-* ①	Control Panel Cover (Outer)	X	X
5	S533-309 ②	Control Panel Cover (Outer)	O	O
5	S533-310 ③	Control Panel Cover (Outer)	O	O
6	S165-608-* ①	Rain Channel	X	X
6	S165-609 ②	Rain Channel	O	O
6	S165-610 ③	Rain Channel	O	O
7	S515-324-* ①	Upper Front	X	X
7	S515-329 ②	Upper Front	O	O
7	S515-331 ③	Upper Front	O	O
8	153-717-* ①	Disconnect Access Door	X	X
8	153-723 ②	Disconnect Access Door	O	O
8	153-724 ③	Disconnect Access Door	O	O
9	S501-1055-* ①	Right Side	X	X
9	S501-1074 ②	Right Side	O	O
9	S501-1078 ③	Right Side	O	O
10	501-1056-* ①	Left Side	X	X
10	501-1075 ②	Left Side	O	O
10	501-1079 ③	Left Side	O	O
11	105X1454	Right Support Angle	X	X
12	105Y1454	Left Support Angle	X	X
13	105-1455	Coil Support	2	2
14	147-054	Coil Support Offset	X	X
15	119-128-* ①	Side Grille	2	2
15	119-143 ②	Side Grille	2	2
15	119-138 ③	Side Grille	2	2
16	105-1450	Right Control Panel Angle	X	X
17	105-1451	Left Control Panel Angle	X	X
18	S543-221-* ①	Heater Access Cover	X	X
18	S543-228 ②	Heater Access Cover	O	O
18	S543-229 ③	Heater Access Cover	O	O
19	507-382-* ①	Top	X	X
19	507-391 ②	Top	O	O
19	507-392 ③	Top	O	O
20	109-414	Lower Back	X	X
20	109-420 ②	Lower Back	O	O
20	109-424 ③	Lower Back	O	O
21	S509-413	Upper Back	X	X
21	S509-419 ②	Upper Back	O	O
21	S509-423 ③	Upper Back	O	O
22	S111-299	Outlet Air Frame Assembly	X	X
23	535-129	Heat Shield	X	X
24	113-150-* ①	Top Rain Flashing	X	X
24	113-150-4 ②	Top Rain Flashing	O	O
24	113-359 ③	Top Rain Flashing	O	O
25	539-406	Fresh Air Damper Assembly	X	X
25	543-222	Intake Blank Off Plate	O	O
26	543-220	Exhaust Blank Off Plate	X	X

- ① Exterior cabinet parts are manufactured with various paint color options. To ensure the proper paint color is received, include the complete model and serial number of the unit for which cabinet parts are being ordered.
- ② Exterior cabinet parts are manufactured from aluminum Code "A" (#24 - Top rain flashing not available in aluminum; order 113-150-4 (Buckeye Gray).
- ③ Exterior cabinet parts are manufactured from stainless steel Code "S"
- X – Standard Component
O – Optional Component

This page intentionally left blank

INTERNAL PARTS - STANDARD & DEHUMIDIFICATION



SEXP-938

This drawing to be used for reference for pages 7 and 8

INTERNAL PARTS – STANDARD & DEHUMIDIFICATION

Dwg No.	Part Number	Description	W42HC-A, B	W42HC-C	W42HBDA, B	W42HBDC	W48HC-A, B	W48HC-C	W48HBDA, B	W48HBDC
1	125-089	Fan Shroud	X	X	X	X	X	X	X	X
1	125-093 ①	Fan Shroud	0	0	0	0	0	0	0	0
2	S125-090	Fan Shroud Side Access Cover	2	2	2	2	2	2	2	2
2	S125-094 ①	Fan Shroud Side Access Cover	2	2	2	2	2	2	2	2
3	121-586	Condenser Partition Insert	X	X	X	X	X	X	X	X
3	121-600 ①	Condenser Partition Insert	0	0	0	0	0	0	0	0
4	121-585	Condenser Partition	X	X	X	X	X	X	X	X
4	121-599 ①	Condenser Partition	0	0	0	0	0	0	0	0
5	521-584	Front Exhaust Partition	X	X	X	X	X	X	X	X
6	521-587	Exhaust Partition	X	X	X	X	X	X	X	X
7	Control Panel Assy.	See Control Panel Assy. Drawing & Parts List	X	X	X	X	X	X	X	X
8	S133-302	Control Panel Cover (Inner)	X	X	X	X	X	X	X	X
9	105-1453	Front Vent Guide Rail	X	X	X	X	X	X	X	X
10	105-1452	Vent Guide Rail	X	X	X	X	X	X	X	X
11	S135-392	Field Wire Shield	X	X	X	X	X	X	X	X
12	131-168	Filter Support Bracket	2	2	2	2	2	2	2	2
13	131-170	Filter Slide	X	X	X	X	X	X	X	X
14	131-169	Filter Rack Frame	X	X	X	X	X	X	X	X
15	121-583	Filter Partition	X	X	X	X	X	X	X	X
16	117-412	Upper Control Panel	X	X	X	X	X	X	X	X
17	127-575	Circuit Breaker Base	X		X		X		X	
17	127-585	Circuit Breaker Base - 460V		X		X		X		X
18	S133-303	Upper Control Panel Cover	X		X		X		X	
18	S133-304	Upper Control Panel Cover - 460V		X		X		X		X
19	135X393	Right Copper Chase	X	X	X	X	X	X	X	X
19	135X397 ①	Right Copper Chase	0	0	0	0	0	0	0	0
20	135Y393	Left Copper Chase	X	X	X	X	X	X	X	X
20	135Y397 ①	Left Copper Chase	0	0	0	0	0	0	0	0
21	113-796	Copper Retainer	2	2	2	2	2	2	2	2
22	137-920	Copper Fill Plate	2	2	2	2	2	2	2	2
23	113-766	Conduit Bracket	X	X	X	X	X	X	X	X
24	8611-235	Conduit Elbow	X	X	X	X	X	X	X	X
25	113-765	Grommet Retainer	X	X	X	X	X	X	X	X
26	141-492	Blower Partition Support	X	X	X	X	X	X	X	X
27	121-582	Blower Partition	X	X	X	X	X	X	X	X
28	523-161	Drain Pan	X	X	X	X	X	X	X	X
28	523-162 ①②	Drain Pan	0	0	0	0	0	0	0	0
29	113-768	EEV mounting Bracket			X	X			X	X
30	113-787	Airflow Switch Bracket	0	0	0	0	0	0	0	0
31	113-788	Filter Switch Bracket	0	0	0	0	0	0	0	0
32	113-789	Filter Switch Light Bracket	0	0	0	0	0	0	0	0
NS	113-809	Heating Expansion Valve Bracket	X	X			X	X		
NS	113-381	TXV Bulb Bracket	X	X			X	X		

① Exterior cabinet parts are manufactured from stainless steel Code "S"

② For aluminum units, order 523-162 stainless steel drain pan.

X – Standard Component

0 – Optional Component

INTERNAL PARTS – STANDARD & DEHUMIDIFICATION

Dwg No.	Part Number	Description	W60HC-A, B	W60HC-C	W60HBDA, B	W60HBDC
1	125-091	Fan Shroud	X	X	X	X
1	125-095 ①	Fan Shroud	0	0	0	0
2	S125-092	Fan Shroud Side Access Cover	2	2	2	2
2	S125-096 ①	Fan Shroud Side Access Cover	2	2	2	2
3	121-586	Condenser Partition Insert	X	X	X	X
3	121-600 ①	Condenser Partition Insert	0	0	0	0
4	121-585	Condenser Partition	X	X	X	X
4	121-599 ①	Condenser Partition	0	0	0	0
5	521-584	Front Exhaust Partition	X	X	X	X
6	521-587	Exhaust Partition	X	X	X	X
7	Control Panel Assy.	See Control Panel Assy. Drawing & Parts List	X	X	X	X
8	S133-302	Control Panel Cover (Inner)	X	X	X	X
9	105-1453	Front Vent Guide Rail	X	X	X	X
10	105-1452	Vent Guide Rail	X	X	X	X
11	S135-392	Field Wire Shield	X	X	X	X
12	131-168	Filter Support Bracket	2	2	2	2
13	131-170	Filter Slide	X	X	X	X
14	131-169	Filter Rack Frame	X	X	X	X
15	121-583	Filter Partition	X	X	X	X
16	117-412	Upper Control Panel	X	X	X	X
17	127-575	Circuit Breaker Base	X		X	
17	127-585	Circuit Breaker Base - 460V		X		X
18	S133-303	Upper Control Panel Cover	X		X	
18	S133-304	Upper Control Panel Cover - 460V		X		X
19	135X393	Right Copper Chase	X	X	X	X
19	135X397 ①	Right Copper Chase	0	0	0	0
20	135Y393	Left Copper Chase	X	X	X	X
20	135Y397 ①	Left Copper Chase	0	0	0	0
21	113-796	Copper Retainer	2	2	2	2
22	137-920	Copper Fill Plate	2	2	2	2
23	113-766	Conduit Bracket	X	X	X	X
24	8611-235	Conduit Elbow	X	X	X	X
25	113-765	Grommet Retainer	X	X	X	X
26	141-492	Blower Partition Support	X	X	X	X
27	121-582	Blower Partition	X	X	X	X
28	523-161	Drain Pan	X	X	X	X
28	523-162 ①②	Drain Pan	0	0	0	0
29	113-768	EEV mounting Bracket			X	X
30	113-787	Airflow Switch Bracket	0	0	0	0
31	113-788	Filter Switch Bracket	0	0	0	0
32	113-789	Filter Switch Light Bracket	0	0	0	0
NS	113-809	Heating Expansion Valve Bracket	X	X		
NS	113-381	TXV Bulb Bracket	X	X		

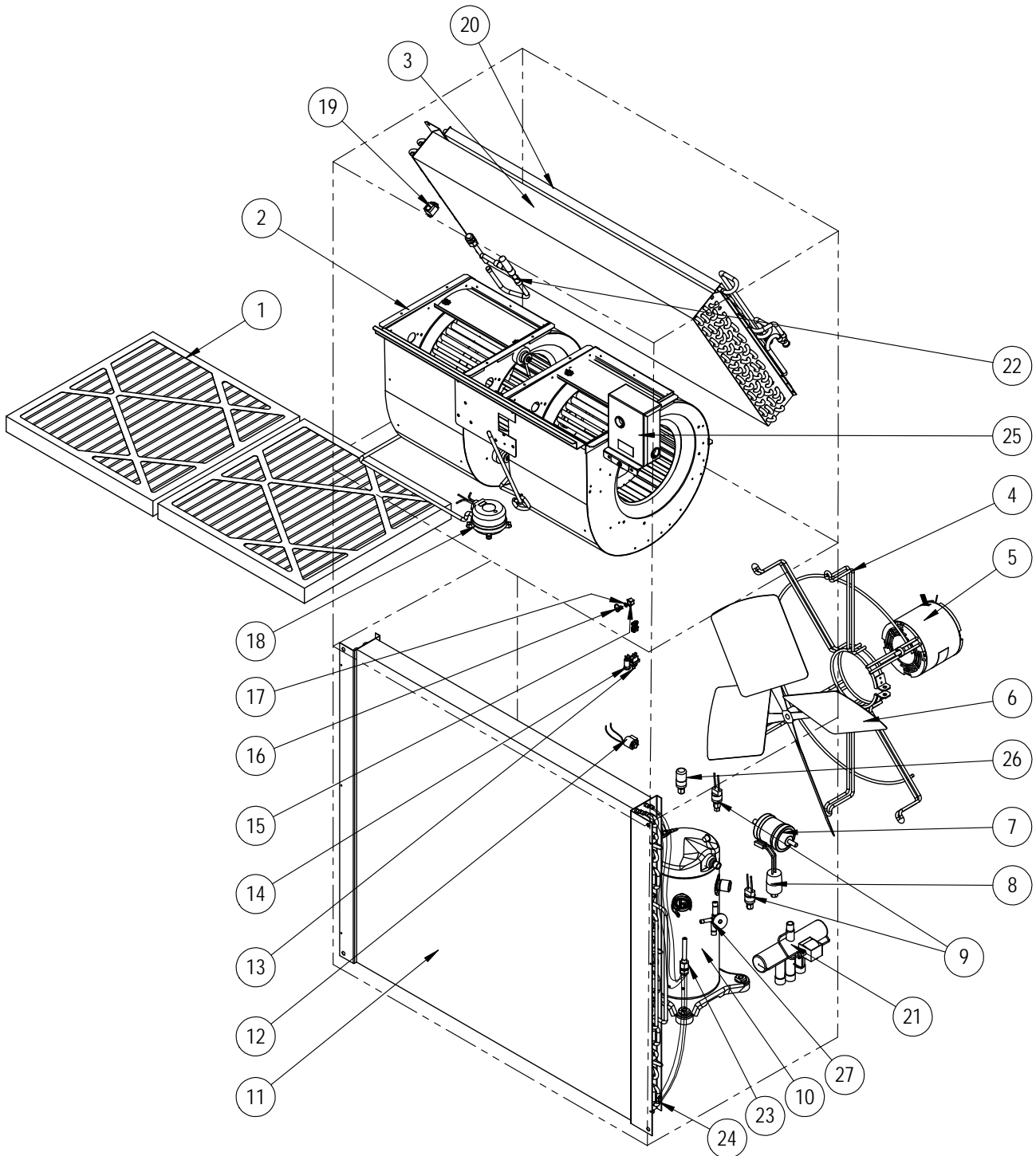
① Exterior cabinet parts are manufactured from stainless steel Code "S"
 ② For aluminum units, order 523-162 stainless steel drain pan.

X – Standard Component
 0 – Optional Component

Refer to drawing on page 6

This page intentionally left blank

FUNCTIONAL COMPONENTS – STANDARD & DEHUMIDIFICATION



SEXP-1001 A

This drawing to be used for reference for pages 11 and 12

FUNCTIONAL COMPONENTS – STANDARD & DEHUMIDIFICATION

Dwg No.	Part Number	Description	W42HC-A	W42HC-B	W42HC-C	W42HCDA	W42HCDB	W42HCDC	W48HC-A	W48HC-B	W48HC-C	W48HCDA	W48HCDB	W48HCDC
1	7004-012	Air Filter 1" Throw-Away (20 x 20 x 1)	2	2	2	2	2	2	2	2	2	2	2	2
1	7003-085 ②	Air Filter 1" Washable (20 x 20 x 1)	2	2	2	2	2	2	2	2	2	2	2	2
1	7004-052 ②	Air Filter 2" Merv 8 (20 x 20 x 2)	2	2	2	2	2	2	2	2	2	2	2	2
1	7004-060 ②	Air Filter 2" Merv 11 (20 x 20 x 2)	2	2	2	2	2	2	2	2	2	2	2	2
1	7004-063 ②	Air Filter 2" Merv 13 (20 x 20 x 2)	2	2	2	2	2	2	2	2	2	2	2	2
2	S900-366-002	Blower Assembly	X	X		X	X							
2	S900-367-002	Blower Assembly - 460V			X			X						
2	S900-368-004	Blower Assembly							X	X				
2	S900-369-004	Blower Assembly - 460V									X	X		X
3	917-0403BX	Indoor Coil w/Distributor Assy.	X	X	X									
3	917-0404BX	Indoor Coil - Coated w/Distributor Assy.	0	0	0									
3	917-0405BX	Indoor Coil w/Distributor Assy.				X	X	X						
3	917-0406BX	Indoor Coil - Coated w/Distributor Assy.				0	0	0						
3	917-0407BX	Indoor Coil w/Distributor Assy.							X	X	X			
3	917-0408BX	Indoor Coil - Coated w/Distributor Assy.							0	0	0			
3	917-0409BX	Indoor Coil w/Distributor Assy.										X	X	X
3	917-0410BX	Indoor Coil - Coated w/Distributor Assy.										0	0	0
4	8200-004	Fan Motor Mount	X	X	X	X	X	X	X	X	X	X	X	X
4	8200-051 ①	Fan Motor Mount - Stainless Steel	0	0	0	0	0	0	0	0	0	0	0	0
5	8105-068	Condenser Motor	X	X		X	X		X	X		X	X	
5	8105-071	Condenser Motor - 460V			X			X			X			X
6	5151-060	Fan Blade	X	X	X	X	X	X	X	X	X	X	X	X
6	5151C060 ①	Fan Blade - Coated	0	0	0	0	0	0	0	0	0	0	0	0
7	5201-020	Filter Drier	X	X	X	X	X	X	X	X	X	X	X	X
8	CMH-35	Low Ambient Control (LAC) Kit = #8, 12, 19	0	0	0	0	0	0	0	0	0	0	0	0
9	8406-142	High Pressure Switch	X	X	X	X	X	X	X	X	X	X	X	X
9	8406-135	Low Pressure Switch	X	X	X	X	X	X	X	X	X	X	X	X
10	8000-349	Compressor	X			X								
10	8000-350	Compressor		X			X							
10	8000-351	Compressor			X			X						
10	8000-332	Compressor							X			X		
10	8000-333	Compressor								X			X	
10	8000-334	Compressor									X			X
11	917-0413	Outdoor Coil (Includes Distributor)	X	X	X	X	X	X						
11	917-0414	Outdoor Coil - Coated (Includes Distributor)	0	0	0	0	0	0						
11	917-0415	Outdoor Coil (Includes Distributor)							X	X	X	X	X	X
11	917-0416	Outdoor Coil - Coated (Includes Distributor)							0	0	0	0	0	0
12	8408-055	Outdoor Temperature Sensor	0	0	0	0	0	0	0	0	0	0	0	0
13	3000-1638	Dirty Filter Reset Switch	0	0	0	0	0	0	0	0	0	0	0	0
14	8611-094	Red Indicator Light - 24VAC	0	0	0	0	0	0	0	0	0	0	0	0
15	1171-023	1/4 Turn Receptacle	X	X	X	X	X	X	X	X	X	X	X	X
16	1171-022	1/4 Turn Fastener	X	X	X	X	X	X	X	X	X	X	X	X
17	1171-024	1/4 Turn Retainer	X	X	X	X	X	X	X	X	X	X	X	X
18	8301-057	Filter Pressure Switch	0	0	0	0	0	0	0	0	0	0	0	0
19	CMC-29	Freeze Protection Thermostat	0	0	0	0	0	0	0	0	0	0	0	0
20	5051-221BX	Reheat Coil				X	X	X				X	X	X
20	5054-221BX	Reheat Coil - Coated				0	0	0				0	0	0
21	5650-040	Reversing Valve	X	X	X	X	X	X	X	X	X	X	X	X
22	800-0465	Distributor Assembly - Indoor Coil	X	X	X									
22	800-0461	Distributor Assembly - Indoor Coil				X	X	X						
22	800-0488	Distributor Assembly - Indoor Coil							X	X	X			
22	800-0424	Distributor Assembly - Indoor Coil										X	X	X
22	5651S245	Electronic Expansion Valve				X	X	X				X	X	X
22	905-0737	Electronic Expansion Valve (EEV) Assembly				X	X	X				X	X	X
23	800-0424	Distributor Assembly - Outdoor Coil	X	X	X	X	X	X						
23	800-0467	Distributor Assembly - Outdoor Coil							X	X	X	X	X	X
24	8620-225	Defrost Thermistor Sensor	X	X	X	X	X	X	X	X	X	X	X	X
25	S910-2050-002	EEV Controller (see EEV Controller Assembly)				X	X	X				X	X	X
26	8406-158	Low Pressure Transducer				X	X	X				X	X	X
27	5651-210	Heating Expansion Valve	X	X	X									
27	5651-211	Heating Expansion Valve							X	X	X			
NS	CMC-33	Dirty Filter Switch Kit = Item #'s 13,14,18	0	0	0	0	0	0	0	0	0	0	0	0
NS	5650-051	Dehumidification Valve				X	X	X				X	X	X
NS	5650-042	Rev. Valve Solenoid, Red Casing (Ranco)	X	X	X	X	X	X	X	X	X	X	X	X
NS	5650-046	Rev. Valve Solenoid, Black Casing (San Hua)	X	X	X	X	X	X	X	X	X	X	X	X
NS	5651-219	Check Valve				2	2	2				2	2	2
NS	5451-024	Tubing Isolation Grommet	2	2	2	4	4	4	2	2	2	4	4	4
NS	6031-009	Coremax Valve Core	2	2	2	2	2	2	2	2	2	2	2	2
NS	1171-028	Control Panel Door Clip	4	4	4	4	4	4	4	4	4	4	4	4
NS	1171-057	Control Panel Door Screw	4	4	4	4	4	4	4	4	4	4	4	4
NS	1171-027	Control Panel Door Screw Retainer	4	4	4	4	4	4	4	4	4	4	4	4
NS	5650-054	Molded Plug for Rev/Dehum Valves	X	X	X	2	2	2	X	X	X	2	2	2

NS – Not Shown
 ① – Used with stainless steel cabinet option
 ② – Optional on these models

X – Standard Component
 0 – Optional Component

FUNCTIONAL COMPONENTS – STANDARD & DEHUMIDIFICATION

Dwg No.	Part Number	Description	W60HC-A	W60HC-B	W60HC-C	W60HCDA	W60HCDB	W60HCDC
1	7004-012	Air Filter 1" Throw-Away (20 x 20 x 1)	2	2	2	2	2	2
1	7003-085 ©	Air Filter 1" Washable (20 x 20 x 1)	2	2	2	2	2	2
1	7004-052 ©	Air Filter 2" Merv 8 (20 x 20 x 2)	2	2	2	2	2	2
1	7004-060 ©	Air Filter 2" Merv 11 (20 x 20 x 2)	2	2	2	2	2	2
1	7004-063 ©	Air Filter 2" Merv 13 (20 x 20 x 2)	2	2	2	2	2	2
2	S900-368-005	Blower Assembly	X	X		X	X	
2	S900-369-005	Blower Assembly - 460V			X			X
3	917-0411BX	Indoor Coil w/Distributor Assy.	X	X	X			
3	917-0412BX	Indoor Coil - Coated w/Distributor Assy.	0	0	0			
3	917-0376BX	Indoor Coil w/Distributor Assy.				X	X	X
3	917-0377BX	Indoor Coil - Coated w/Distributor Assy.				0	0	0
4	8200-004	Fan Motor Mount	X	X	X	X	X	X
4	8200-051 ①	Fan Motor Mount - Stainless Steel	0	0	0	0	0	0
5	8105-068	Condenser Motor	X	X		X	X	
5	8105-071	Condenser Motor - 460V			X			X
6	5151-060	Fan Blade	X	X	X	X	X	X
6	5151C060 ①	Fan Blade - Coated	0	0	0	0	0	0
7	5201-020	Filter Drier	X	X	X	X	X	X
8	CMH-35	Low Ambient Control (LAC) Kit = #8, 12, 19	0	0	0	0	0	0
9	8406-142	High Pressure Switch	X	X	X	X	X	X
9	8406-135	Low Pressure Switch	X	X	X	X	X	X
10	8000-421	Compressor	X			X		
10	8000-422	Compressor		X			X	
10	8000-423	Compressor			X			X
11	917-0417BX	Outdoor Coil (Includes Distributor)	X	X	X	X	X	X
11	917-0418BX	Outdoor Coil - Coated (Includes Distributor)	0	0	0	0	0	0
12	8408-055	Outdoor Temperature Sensor	0	0	0	0	0	0
13	3000-1638	Dirty Filter Reset Switch	0	0	0	0	0	0
14	8611-094	Red Indicator Light - 24VAC	0	0	0	0	0	0
15	1171-023	1/4 Turn Receptacle	X	X	X	X	X	X
16	1171-022	1/4 Turn Fastener	X	X	X	X	X	X
17	1171-024	1/4 Turn Retainer	X	X	X	X	X	X
18	8301-057	Filter Pressure Switch	0	0	0	0	0	0
19	CMC-29	Freeze Protection Thermostat	0	0	0	0	0	0
20	5051-221BX	Reheat Coil				X	X	X
20	5054-221BX	Reheat Coil - Coated				0	0	0
21	5650-040	Reversing Valve	X	X	X	X	X	X
22	800-0468	Distributor Assembly - Indoor Coil	X	X	X			
22	800-0455	Distributor Assembly - Indoor Coil				X	X	X
22	5651S248	Electronic Expansion Valve				X	X	X
22	905-0745	Electronic Expansion Valve (EEV) Assembly				X	X	X
23	800-0445	Distributor Assembly - Outdoor Coil	X	X	X	X	X	X
24	8408-044	Defrost Thermistor Sensor	X	X	X	X	X	X
25	S910-2050-002	EEV Controller (see EEV Controller Assembly)				X	X	X
26	8406-158	Low Pressure Transducer				X	X	X
27	5651-211	Heating Expansion Valve	X	X	X			
NS	CMC-33	Dirty Filter Switch Kit = Item #'s 13,14,18	0	0	0	0	0	0
NS	5650-051	Dehumidification Valve				X	X	X
NS	5650-042	Rev. Valve Solenoid, Red Casing (Ranco)	X	X	X	X	X	X
NS	5650-046	Rev. Valve Solenoid, Black Casing (San Hua)	X	X	X	X	X	X
NS	5651-219	Check Valve				2	2	2
NS	5451-024	Tubing Isolation Grommet	2	2	2	4	4	4
NS	6031-009	Coremax Valve Core	2	2	2	2	2	2
NS	1171-028	Control Panel Door Clip	4	4	4	4	4	4
NS	1171-057	Control Panel Door Screw	4	4	4	4	4	4
NS	1171-027	Control Panel Door Screw Retainer	4	4	4	4	4	4
NS	5650-054	Molded Plug for Rev/Dehum Valves	X	X	X	2	2	2

NS – Not Shown

① – Used with stainless steel cabinet option

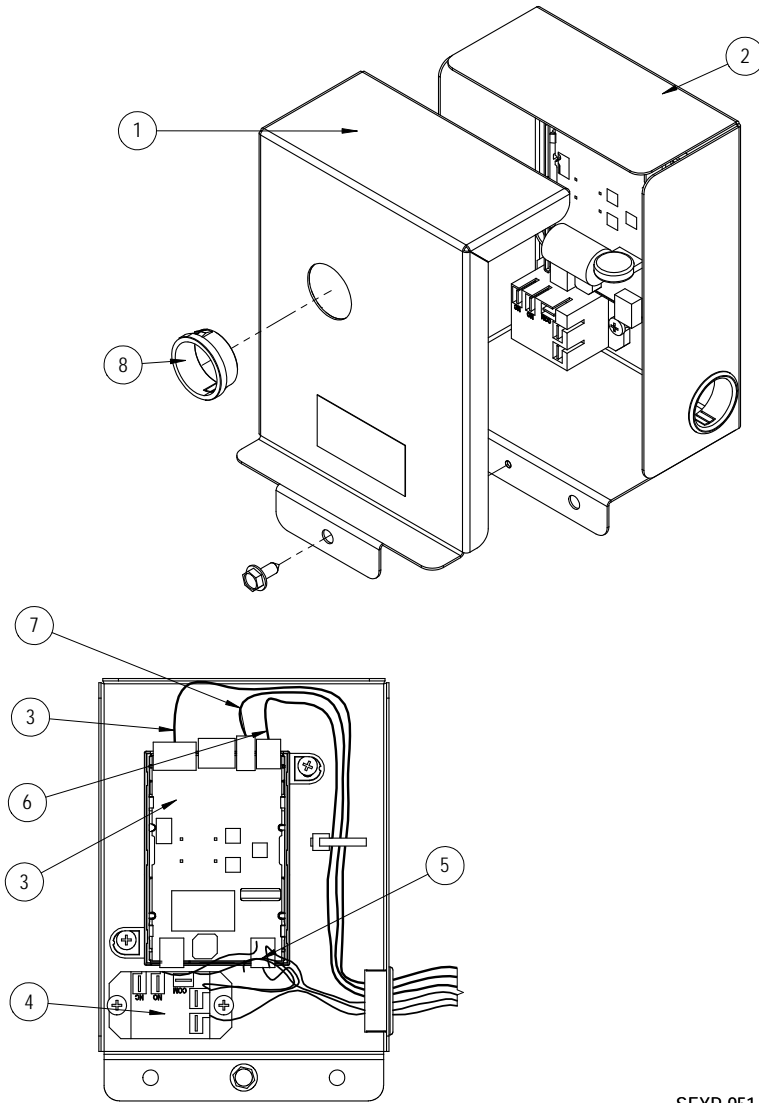
© – Optional on these models

X – Standard Component

0 – Optional Component

Refer to drawing on page 10

EEV CONTROLLER ASSEMBLY

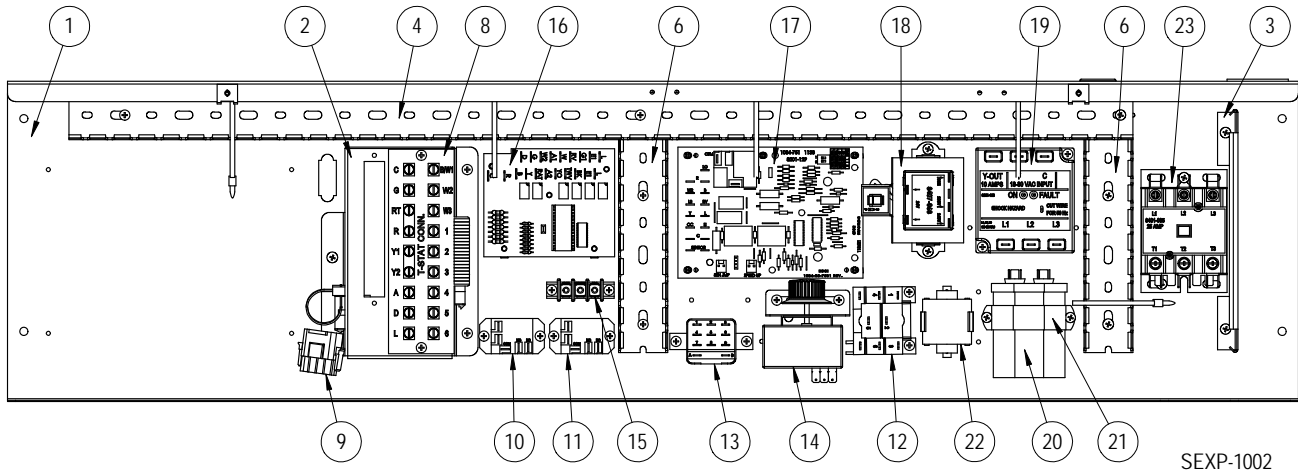


SEXP-951

S910-2050-002

Dwg No.	Part Number	Description	
1	143-219	EEV Control Box Cover	X
2	127-572	EEV Control Box	X
3	S8301-079-0002	EEV Control Module & Stator Cable	X
3	5651-246	EEV Stator Cable Only	X
4	8201-130	Control Relay	X
5	3000-1602	Main Wire Assembly	X
6	3000-1611	Transducer Wire Assembly – Connects to EEV Board	X
6	3000-1603	Transducer Wire Assembly – Connects to Transducer	X
7	8408-056	EEV Thermistor	X
8	8611-075	Clear Snap Plug	X

CONTROL PANEL – STANDARD & DEHUMIDIFICATION



CONTROL PANEL – STANDARD & DEHUMIDIFICATION

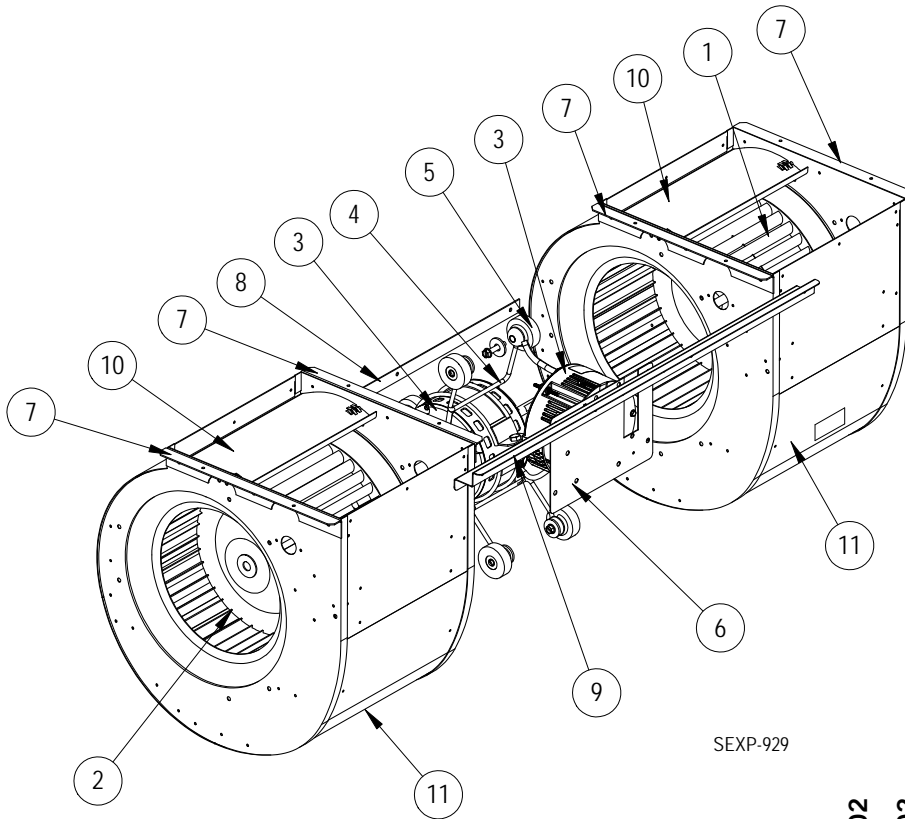
Dwg No.	Part Number	Description	W42HC-A	W42HC-B	W42HC-C	W42HCDA	W42HCDB	W42HCDC	W48HC-A	W48HC-B	W48HC-C	W48HCDA	W48HCDB	W48HCDC	W60HC-A	W60HC-B	W60HC-C	W60HCDA	W60HCDB	W60HCDC
1	117-411	Control Panel	X	X	X	X	X	X	X	X	X	X	X	X	X	X	X	X	X	X
2	S910-2061	Complete Low Voltage Box Assembly (Sheet metal, Terminal Strip, & Wire Harness)	X	X	X	X	X	X	X	X	X	X	X	X	X	X	X	X	X	X
3	135-394	Wire Shield	X	X	X	X	X	X	X	X	X	X	X	X	X	X	X	X	X	X
4	8611-244-3208	Cable Duct - 32.5"	X	X	X	X	X	X	X	X	X	X	X	X	X	X	X	X	X	X
6	8611-244-0608	Cable Duct - 6.5"	2	2	2	2	2	2	2	2	2	2	2	2	2	2	2	2	2	2
8	8607-063	Low Voltage Terminal Strip - 18 term.	X	X	X	X	X	X	X	X	X	X	X	X	X	X	X	X	X	X
9	3000-1524	Vent Jumper Plug (used when no vent option)	X	X	X	X	X	X	X	X	X	X	X	X	X	X	X	X	X	X
10	8201-130	Alarm Relay (Kit = CMC-35)	0	0	0	0	0	0	0	0	0	0	0	0	0	0	0	0	0	0
11	8201-130	Blower Speed Relay	X	X	X	X	X	X	X	X	X	X	X	X	X	X	X	X	X	X
12	8201-086	OD T-Stat/LAC Relay (LAC Kit = CMH-35)	0	0	0	0	0	0	0	0	0	0	0	0	0	0	0	0	0	0
13	8201-159	Dirty Filter Relay (Kit = CMC-33)	0	0	0	0	0	0	0	0	0	0	0	0	0	0	0	0	0	0
14	8408-028	Outdoor Thermostat (ODT Kit = CMH-36)	0	0	0	0	0	0	0	0	0	0	0	0	0	0	0	0	0	0
15	8607-042	Blower Speed Terminal Block	X	X	X	X	X	X	X	X	X	X	X	X	X	X	X	X	X	X
16	8201-113	Dehumidification Logic Board				X	X	X				X	X	X				X	X	X
17	8620-223	Defrost Logic Control Board w/Sensor	X	X	X	X	X	X	X	X	X	X	X	X	X	X	X	X	X	X
18	8407-068	Transformer	X	X		X	X		X	X		X	X		X	X		X	X	
18	8407-069	Transformer			X			X			X			X			X			X
19	8201-126	Phase Monitor		X	X		X	X		X	X		X	X		X	X		X	X
20	8552-079	Compressor Capacitor	X			X			X			X			X			X		
20	8552-089	Compressor Capacitor		X			X		X			X			X			X		
20	8552-005	Outdoor Motor Capacitor			X			X			X			X			X			X
20	8552-004	Outdoor Motor Capacitor			X			X			X			X			X			X
21	8550-008	Capacitor Strap	X			X			X			X			X			X		
21	8550-003	Capacitor Strap		X	X		X	X		X	X		X	X		X	X		X	X
22	8551-004	Start Device (PTCR) (Kit = CMC-32)	0			0			0			0			0			0		
23	8401-034	Compressor Contactor	X			X			X			X			X			X		
23	8401-035	Compressor Contactor		X	X		X	X		X	X		X	X		X	X		X	X
NS	8615-039	Circuit Breaker 45A 2 Pole ①	0			0			0			0			0			0		
NS	8615-040	Circuit Breaker 50A 2 Pole ①							0			0						0		
NS	8615-041	Circuit Breaker 60A 2 Pole ①										0								
NS	8615-042	Circuit Breaker 35A 3 Pole ①		0			0		0			0								
NS	8615-043	Circuit Breaker 40A 3 Pole ①										0			0			0		
NS	S8615-067	Toggle Disconnect			0			0			0			0			0			0
NS	4096-168	Wiring Diagram	X						X						X					
NS	4096-169	Wiring Diagram		X		X				X		X				X		X		
NS	4096-270	Wiring Diagram					X					X				X			X	
NS	4096-271	Wiring Diagram										X							X	
NS	4096-368	Wiring Diagram			X					X						X				
NS	4096-369	Wiring Diagram						X						X						X
NS	3000-1613	Blower Power Plug	X	X	X	X	X	X	X	X	X	X	X	X	X	X	X	X	X	X
NS	3000-1614	Blower Speed Plug	X	X	X	X	X	X	X	X	X	X	X	X	X	X	X	X	X	X
NS	3000-1222	Compressor Plug/Harness	X			X			X			X			X			X		
NS	3000-1230	Compressor Plug/Harness		X	X		X	X		X	X		X	X		X	X		X	X
NS	3003-064	Control Panel Wire Harness	X						X						X					
NS	3003-065	Control Panel Wire Harness		X					X						X					
NS	3003-066	Control Panel Wire Harness			X					X						X				
NS	3003-067	Control Panel Wire Harness				X					X						X			
NS	3003-068	Control Panel Wire Harness					X					X						X		
NS	3003-069	Control Panel Wire Harness						X					X						X	
NS	3000-1608	Low Voltage Terminal Block Wire Harness	X	X	X	X	X	X	X	X	X	X	X	X	X	X	X	X	X	X
NS	8201-032	Outdoor Fan Relay (located where start device shown)			X			X			X			X			X			X

NS = Not Shown

① Circuit breakers listed are for units without electric heat, "OZ" models.
See heater replacement parts manual for units with electric heat.

X – Standard Component
O – Optional Component

BLOWER ASSEMBLY



SEXP-929

Dwg No.	Part Number	Description	S900-366-002	S900-367-002	S900-368-004	S900-368-005	S900-369-004	S900-369-005
1	5152-011	10 Inch Wheel (CW)	X	X	X	X	X	X
2	5152-012	10 Inch Wheel (CW)	X	X	X	X	X	X
3	S8106-068-0185	Programmed Blower Motor & Control (230/208V)	X					
3	S8106-069-0176	Programmed Blower Motor & Control (460V)		X				
3	S8107-028-0177	Programmed Blower Motor & Control (230/208V)			X			
3	S8107-028-0179	Programmed Blower Motor & Control (230/208V)				X		
3	S8107-029-0178	Programmed Blower Motor & Control (460V)					X	
3	S8107-029-0180	Programmed Blower Motor & Control (460V)						X
3	C8106-068-0185	Programmed Control Only (230/208V)	0					
3	C8106-069-0176	Programmed Control Only (460V)		0				
3	C8107-028-0177	Programmed Control Only (230/208V)			0			
3	C8107-028-0179	Programmed Control Only (230/208V)				0		
3	C8107-029-0178	Programmed Control Only (460V)					0	
3	C8107-029-0180	Programmed Control Only (460V)						0
4	8200-040	Motor Mount	X	X	X	X	X	X
5	5451-011	Grommets	6	6	6	6	6	6
6	112-775	Motor Control Bracket	X	X	X	X	X	X
7	105-880	Side Angle	4	4	4	4	4	4
8	105-881	Back Brace	X	X	X	X	X	X
9	103-541	Front Mounting Offset	X	X	X	X	X	X
10	144-166	Diffuser	2	2	2	2	2	2
11	151-101	Blower Housing	2	2	2	2	2	2