

---

# REPLACEMENT PARTS MANUAL

---

## WALL MOUNTED PACKAGED HEAT PUMP

Models:

J18HB-A    J24HB-A  
                  J24HB-B  
                  J24HB-C

---

### Contents

<u>Description</u>	<u>Page</u>
Cabinet Components	
♦ Exploded View .....	2
♦ Usage List .....	3
Functional Components	
♦ Exploded View .....	4
♦ Usage List .....	5
Control Panel – 230 Volt 1 Phase Units	
♦ Layout View .....	6
♦ Usage List .....	7
Control Panel – 230 Volt 3 Phase Units	
♦ Layout View .....	8
♦ Usage List .....	9
Control Panel – 460 Volt 3 Phase Units	
♦ Layout View .....	10
♦ Usage List .....	11
Blower Assembly	
♦ Exploded View .....	12
♦ Usage List .....	12

### General Notes

- Revised and/or additional pages may be issued from time to time.
- A complete and current manual consists of pages shown in the following contents section.

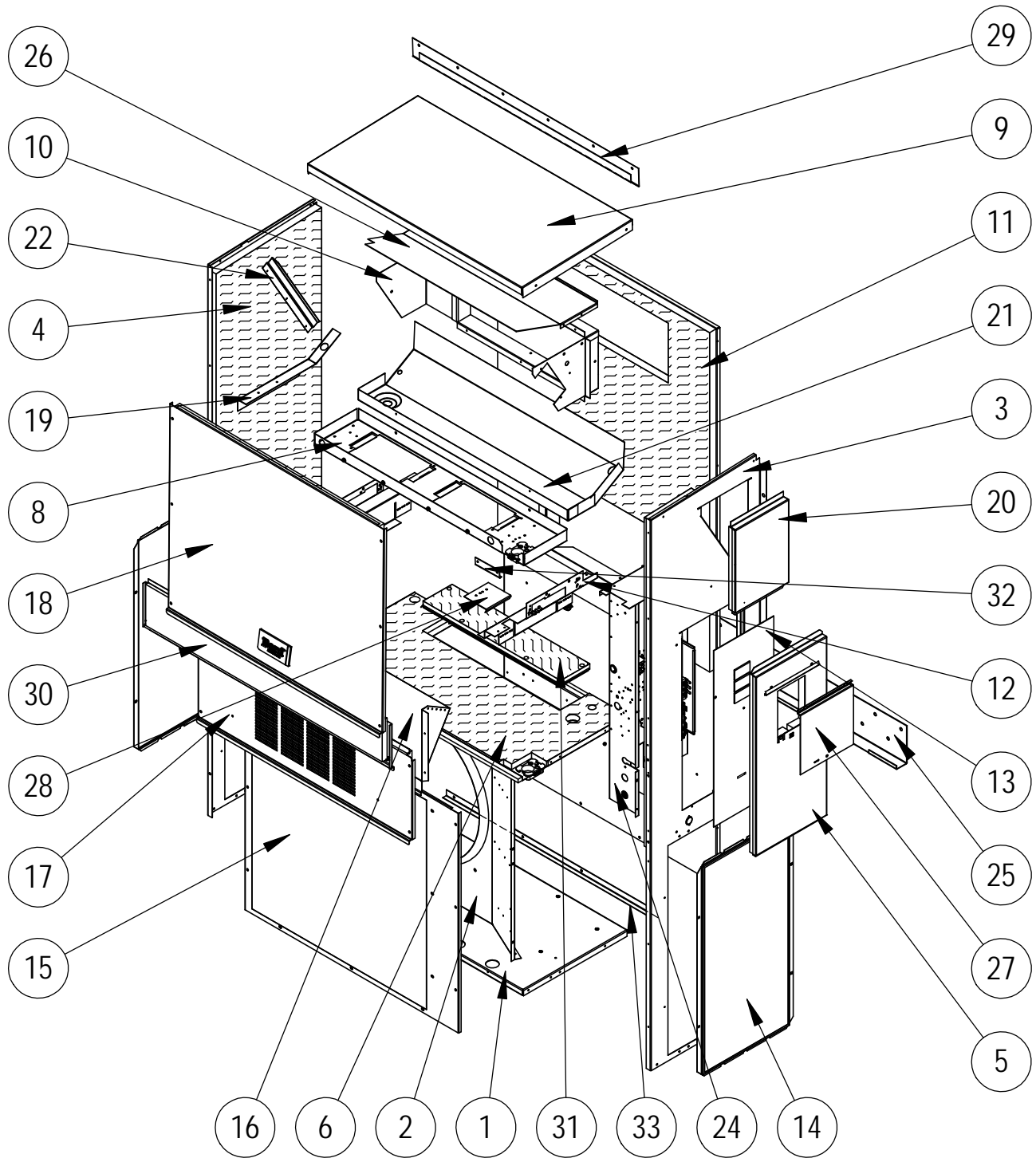
### Important

- Contact the installing and/or local distributor for all parts requirements. Make sure you have the complete model and serial number available from the unit rating plates.



Manual: 2110-1554  
Supersedes: **NEW**  
Date: 8-12-19

# CABINET COMPONENTS

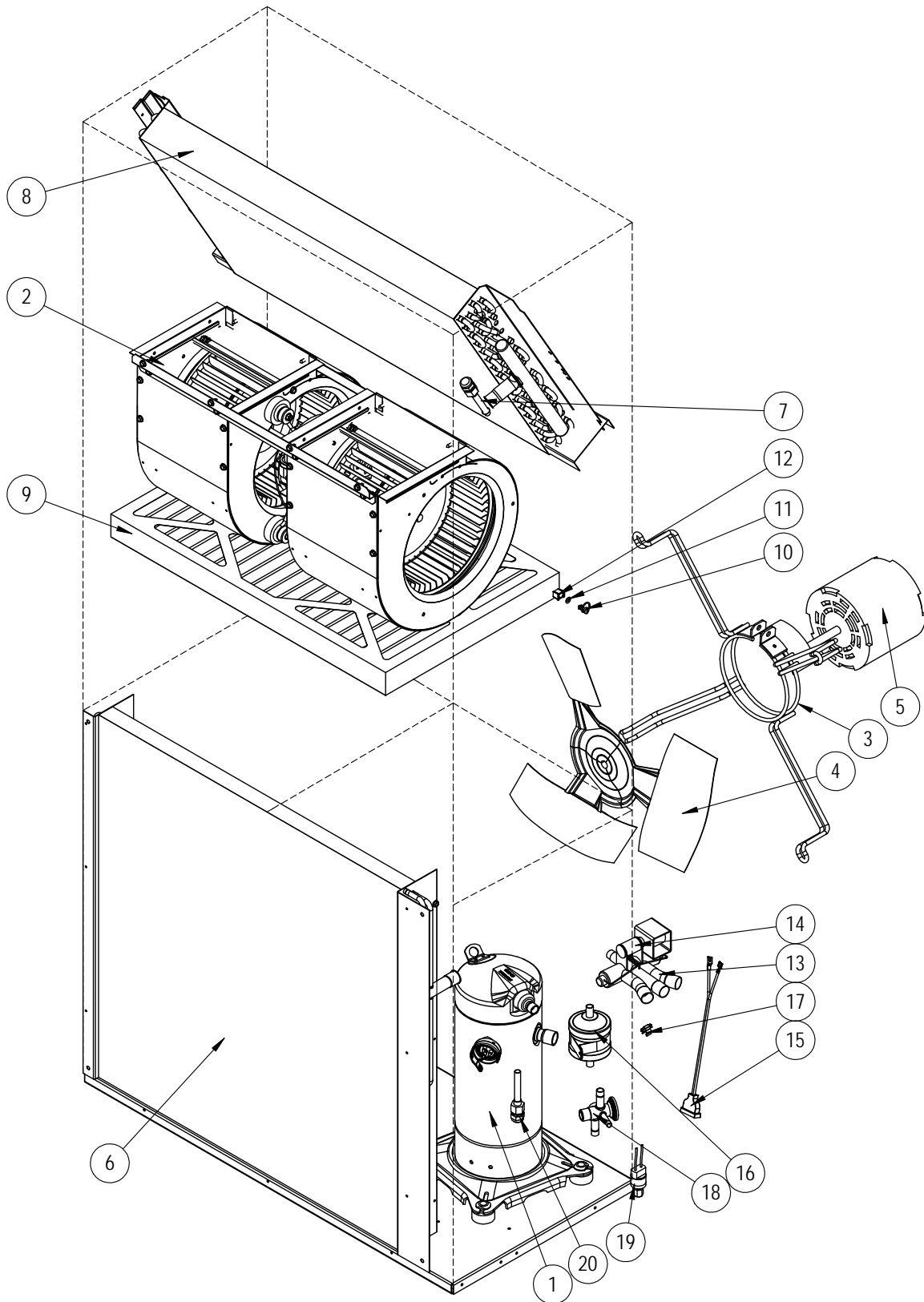


SEXP-991

# CABINET COMPONENTS

Dwg No.	Part Number	Description	J18HB-A	J24HB-A, B	J24HB-C
1	S127-467	Lower Base	X	X	X
2	125-080	Fan Shroud	X	X	X
3	S501-933-X	Right Side	X	X	X
4	S501-934-X	Left Side	X	X	X
5	S533-228-X	Control Panel Cover (Outer)	X	X	X
6	S521X528	Condenser Partition	X	X	X
8	121X480	Blower Partition	X	X	X
9	S507-311-X	Top	X	X	X
10	S111X032	Outlet Air Frame Assembly	X	X	X
11	S508-342	Back	X	X	X
12	113X480	Filter Bracket	2	2	2
13	S132-104	Control Panel Cover (Inner)	X	X	
13	S132-172	Control Panel Cover (Inner)			X
14	118-124-X	Side Grille	2	2	2
15	118-101-X	Condenser Grille	X	X	X
16	BFAD-2	Fresh Air Damper Assembly	X	X	X
17	S553-537-X	Vent Option Door	X	X	X
18	S514-240-X	Upper Front	X	X	X
19	105X850	Side Support	X	X	X
20	S543-175-X	Right Side Cover Plate (Outer)	X	X	X
21	S123-126	Drain Pan	X	X	X
22	147-044	Evaporator Support	X	X	X
24	Control Panel Assembly	See Control Panel Assy. Drawing & Parts List Assy.	X	X	X
25	113-140	Bottom Mounting Bracket	X	X	X
26	135X127	Heat Shield	X	X	X
27	S153-218-X	Disconnect Access Door	X	X	X
28	137-259	Fill Plate	X	X	X
29	113-141-X	Top Rain Flashing	X	X	X
30	S553-538-X	Filter Door	X	X	X
31	S536-176	Cond. Partition Block Off Plate	X	X	X
32	105-1302	Grommet Retainer	X	X	X
33	105-1392	Close Off Angle	X	X	X

# FUNCTIONAL COMPONENTS

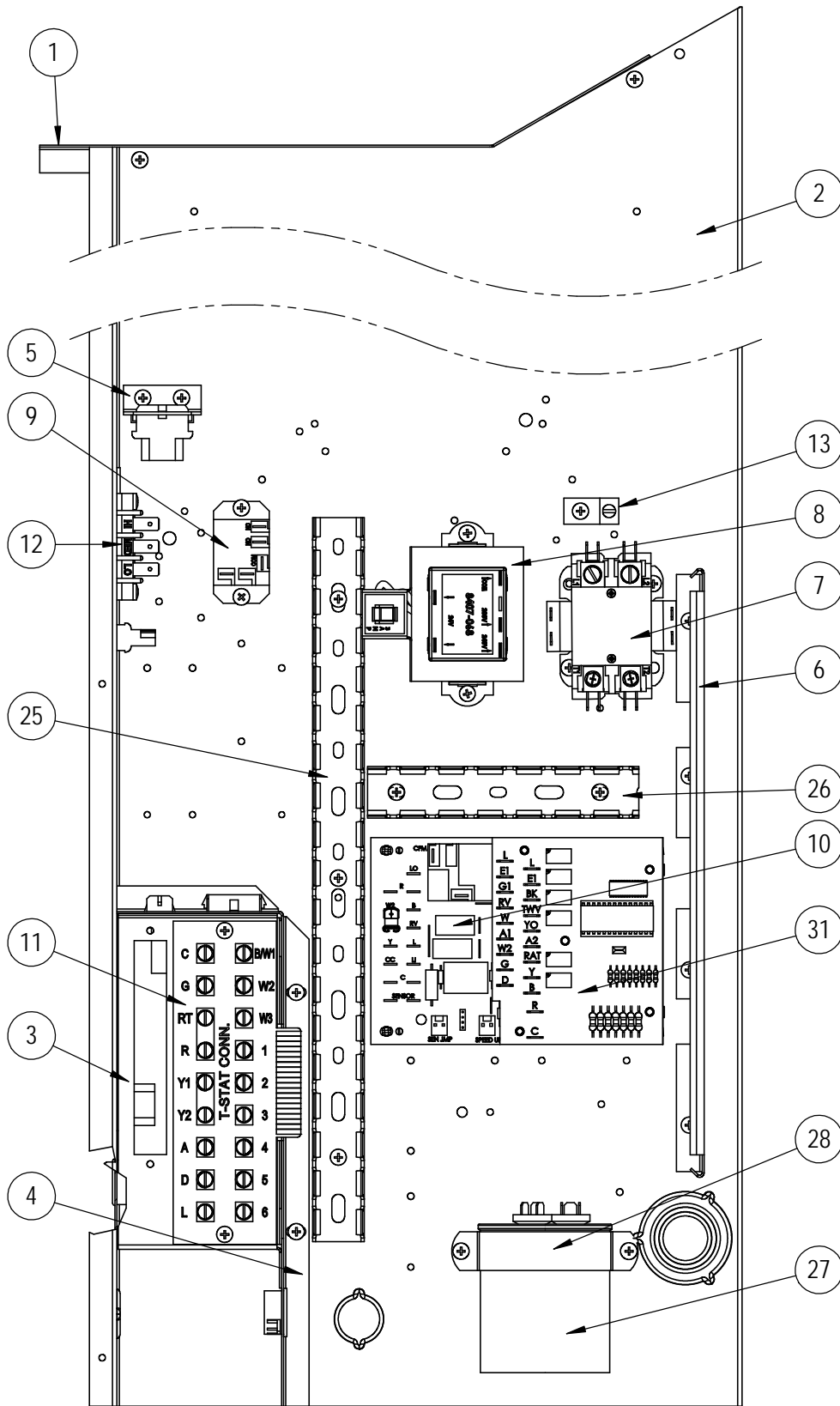


SEXP-985

## FUNCTIONAL COMPONENTS

Dwg No.	Part Number	Description	J18HB-A	J24HB-A	J24HB-B	J24HB-C
1	8000-433	Compressor	X			
1	8000-441	Compressor		X		
1	8000-435	Compressor			X	
1	8000-436	Compressor				X
NS	3000-1224	Molded Compressor Wire Harness (1-PH)	X	X		
NS	3000-1231	Molded Compressor Wire Harness (3-PH)			X	X
2	900-358-003	Blower Assembly	X			
2	900-358-004	Blower Assembly		X	X	
2	900-359-002	Blower Assembly				X
3	8200-001	Fan Motor Mount	X	X	X	X
4	5151-033	Fan Blade	X	X	X	
4	5151-046	Fan Blade				X
5	8103-028	Outdoor Fan Motor	X	X	X	
5	8103-030	Outdoor Fan Motor				X
6	917-0385BX	Outdoor Coil (Includes Distributor)	X			
6	917-0386BX	Outdoor Coil (Includes Distributor)		X	X	X
7	800-0427	Cooling Distributor Assembly	X			
7	800-0485	Cooling Distributor Assembly		X	X	X
8	917-0388BX	Indoor Coil (Includes Cooling Distributor)	X			
8	917-0399BX	Indoor Coil (Includes Cooling Distributor)		X	X	X
9	7004-025	Air Filter 16" x 25" x 2" Pleated Disposable	X	X	X	X
10	1171-022	1/4 Turn Fastener	X	X	X	X
11	1171-024	1/4 Turn Retainer	X	X	X	X
12	1171-023	1/4 Turn Receptacle	X	X	X	X
13	5650-038	Reversing Valve w/24V Solenoid Coil	X	X	X	X
14	5650-046	Reversing Valve 24V Solenoid	X	X	X	X
15	5650-044	Molded Plug 53" Lead	X	X	X	X
16	5201-019	Filter Drier, Bi-Directional, 3/8" Connections	X	X	X	X
17	8620-224	Defrost Sensor Kit	X	X	X	X
18	5651-218	Heating Expansion Valve	X	X	X	X
19	8406-142	High Pressure Switch (650#) Screw On	X	X	X	X
20	5625-127	Heating Distributor	X	X	X	X
NS	8406-135	Low Pressure Switch (14#) Screw On	X	X	X	X
NS	6031-009	Coremax Valve Core (Service Port)	2	2	2	2
NS	8406-127	Low Ambient Fan Cycling Control (350#/225#)	X			
NS	8406-105	Low Ambient Fan Cycling Control (350#/225#)		X	X	X
NS	1171-028	Filter Door Clip	X	X	X	X
NS	1171-057	Filter Door Screw	X	X	X	X
NS	1171-027	Filter Door Screw Retainer	X	X	X	X

# CONTROL PANEL - 230 VOLT 1 PHASE UNITS

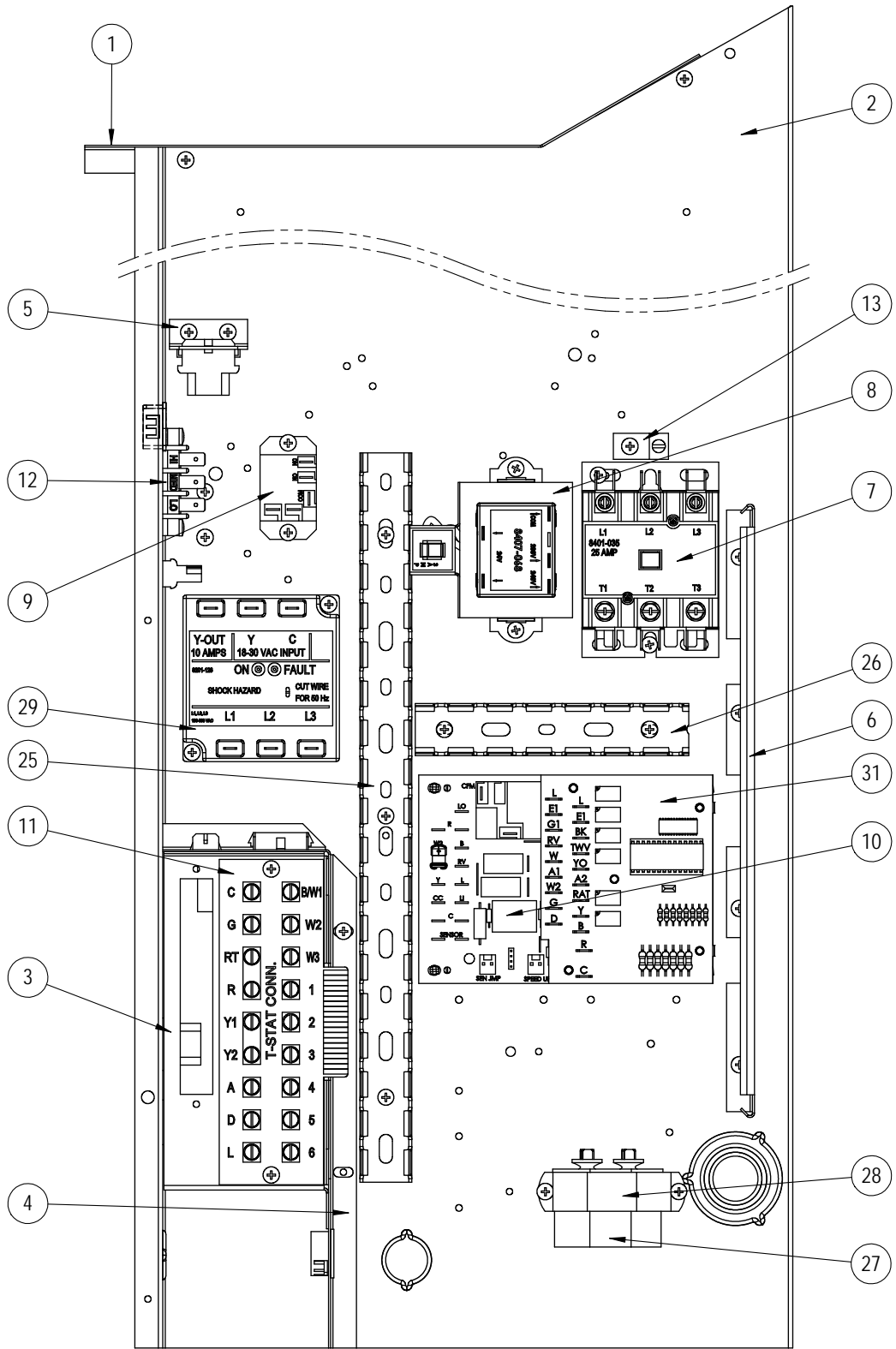


SEXP-987

## CONTROL PANEL – 230 VOLT 1 PHASE UNITS

Dwg No.	Part Number	Description	J18HB-A	J24HB-A
1	117X137	Control Panel Top - RH (Sheet Metal Only)	X	X
2	117X374	Control Panel - RH (Sheet Metal Only)	X	X
3	117X375	Low Voltage Box - RH (Sheet Metal Only)	X	X
4	117X385	Low Voltage Partition - RH (Sheet Metal Only)	X	X
NS	3000-1494	Low Voltage Wire Harness (behind LVTS)	X	X
NS	910-2047	Complete Low Voltage Box Assembly (Sheet Metal, LVTS & Wire Harness)	X	X
5	141-188	Plug Support Bracket (Sheet Metal)	X	X
6	135-122	Wire Shield (Sheet Metal)	X	X
7	8401-033	Contactora 2-Pole	X	X
8	8407-068	Transformer 208/240-24, 50VA	X	X
9	8201-130	Relay, SPDT	X	X
10	8620-223	Defrost Board Replacement Kit w/Sensor	X	X
11	8607-044	Terminal Strip	X	X
12	8607-042	Blower Speed Terminal	X	X
13	8611-006	Ground Lug	X	X
25	8611-140-1400	14" Cable Duct	X	X
26	8611-140-0500	5" Cable Duct	X	X
27	8552-047	Capacitor 30+5/370V, 2-1/2" Round	X	
27	8552-050	Capacitor 40+5/370V, 2-1/2" Round		X
28	8550-008	Capacitor Strap, 2-1/2" Round	X	X
NS	3003-058	Main Control Panel Wire Harness	X	X
NS	8201-086	LAC Relay	X	X
NS	3000-1598	Blower Power Plug	X	X
NS	3000-1599	Blower Speed Plug	X	X
NS	4096-168	Wiring Diagram	X	X

# CONTROL PANEL - 230 VOLT 3 PHASE UNITS



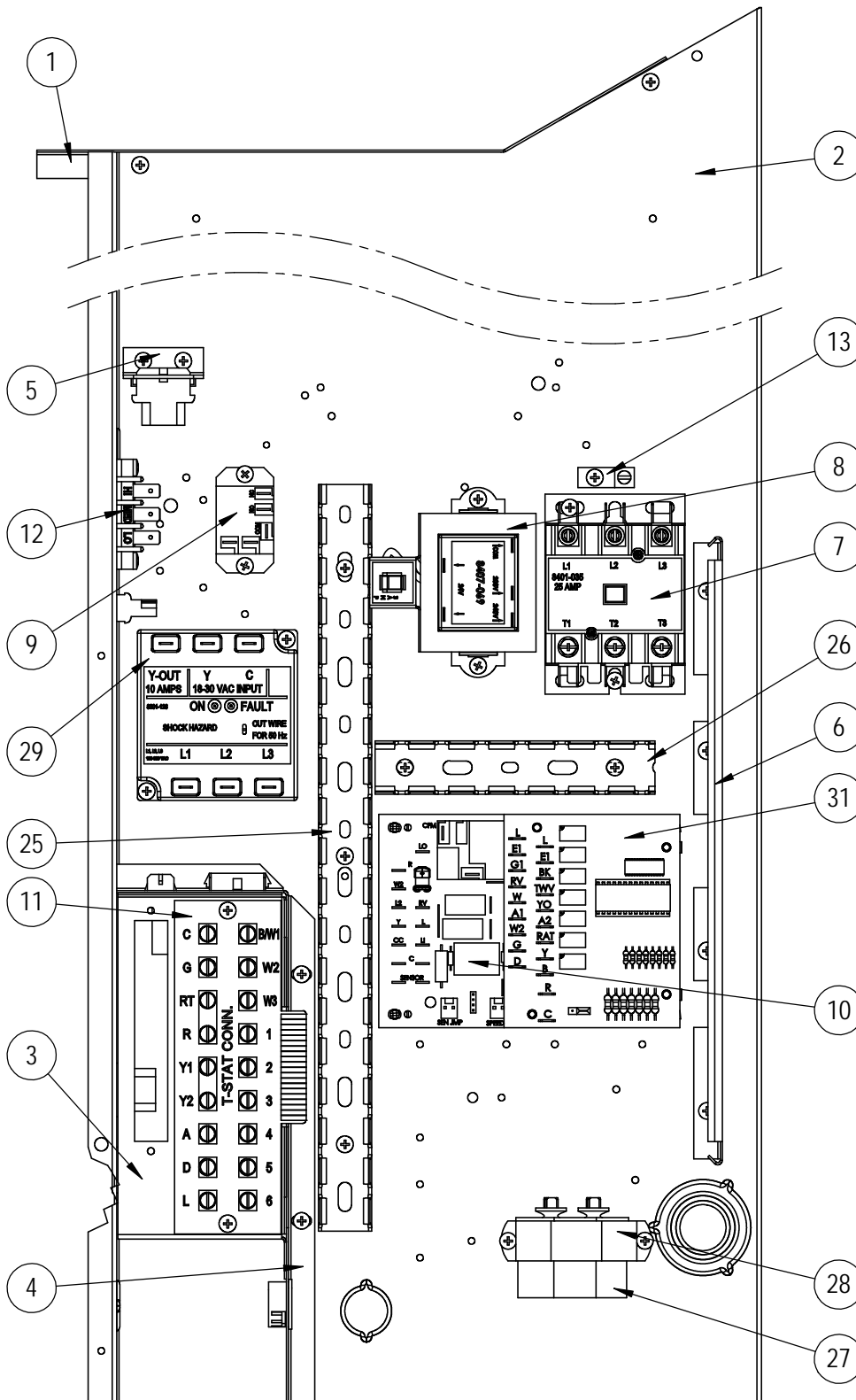
SEXP-988



## CONTROL PANEL – 230 VOLT 3 PHASE UNITS

Dwg No.	Part Number	Description	J24HB-B
1	117X137	Control Panel Top - RH (Sheet Metal Only)	X
2	117X374	Control Panel - RH (Sheet Metal Only)	X
3	117X375	Low Voltage Box - RH (Sheet Metal Only)	X
4	117X385	Low Voltage Partition - RH (Sheet Metal Only)	X
NS	3000-1494	Low Voltage Wire Harness (behind LVTS)	X
NS	910-2047	Complete Low Voltage Box Assembly (Sheet Metal, LVTS & Wire Harness)	X
5	141-188	Plug Support Bracket (Sheet Metal)	X
6	135-122	Wire Shield (Sheet Metal)	X
7	8401-035	Contactors 3-Pole	X
8	8407-068	Transformer 208/240-24, 50VA	X
9	8201-130	Relay, SPDT	X
10	8620-223	Defrost Board Replacement Kit w/Sensor	X
11	8607-044	Terminal Strip	X
12	8607-042	Blower Speed Terminal	X
13	8611-006	Ground Lug	X
25	8611-140-1400	14" Cable Duct	X
26	8611-140-0500	5" Cable Duct	X
27	8552-002	Capacitor 5/370V, 1-1/4" Oval	X
28	8550-003	Capacitor Strap, 1-1/4" Oval	X
29	8201-126	3 Phase Line Monitor	X
NS	3003-059	Main Control Panel Wire Harness	X
NS	8201-086	LAC Relay	X
NS	3000-1598	Blower Power Plug	X
NS	3000-1599	Blower Speed Plug	X
NS	4096-270	Wiring Diagram	X

# CONTROL PANEL - 460 VOLT 3 PHASE UNITS



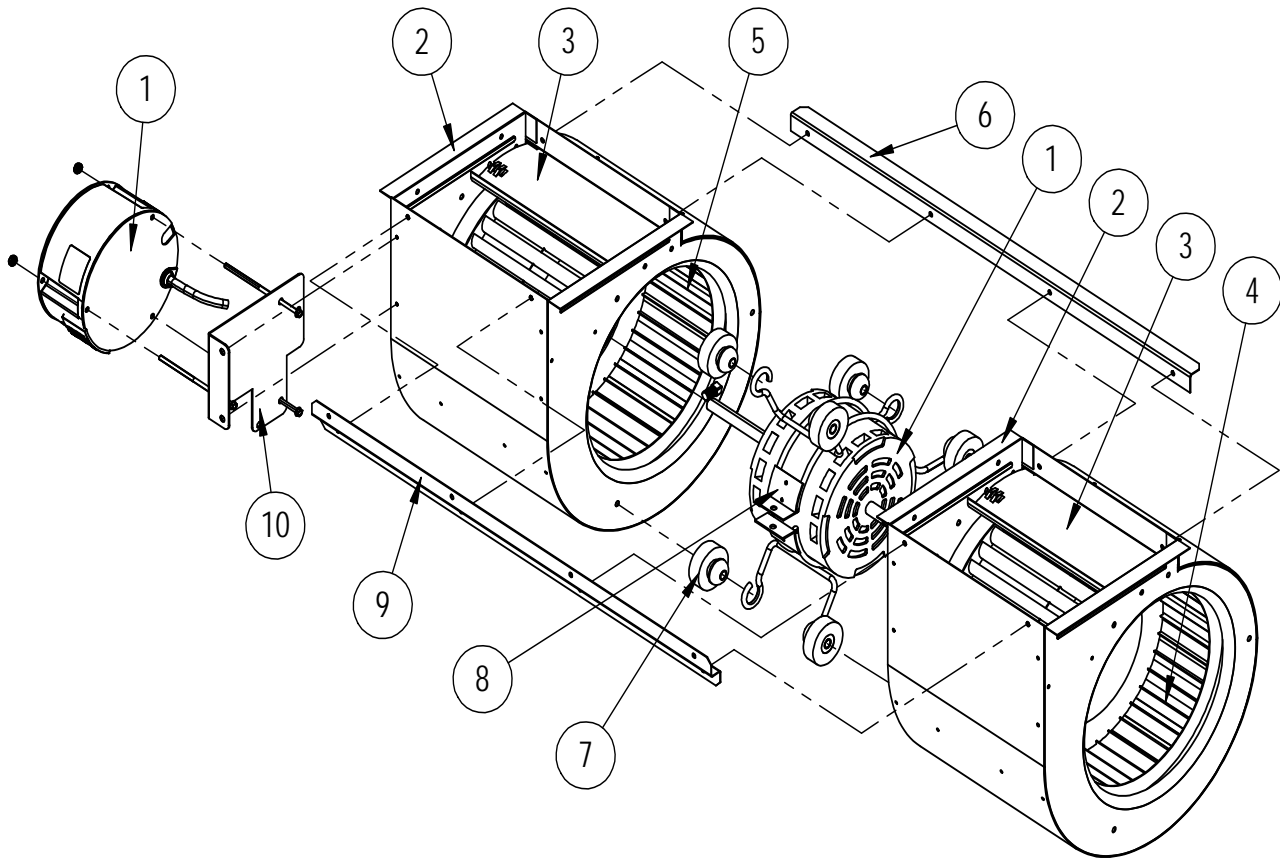
SEXP-989

## CONTROL PANEL – 460 VOLT 3 PHASE UNITS

---

Dwg No.	Part Number	Description	J24HB-C
1	117X137	Control Panel Top - RH (Sheet Metal Only)	X
2	117X374	Control Panel - RH (Sheet Metal Only)	X
3	117X375	Low Voltage Box - RH (Sheet Metal Only)	X
4	117X385	Low Voltage Partition - RH (Sheet Metal Only)	X
NS	3000-1494	Low Voltage Wire Harness (behind LVTS)	X
NS	910-2047	Complete Low Voltage Box Assembly (Sheet Metal, LVTS & Wire Harness)	X
5	141-188	Plug Support Bracket (Sheet Metal)	X
6	135-122	Wire Shield (Sheet Metal)	X
7	8401-035	Contactors 3-Pole	X
8	8407-069	Transformer 480-24, 50VA	X
9	8201-032	Relay, SPDT, 3 FLA@480V	X
10	8620-223	Defrost Board Replacement Kit w/Sensor	X
11	8607-044	Terminal Strip	X
12	8607-042	Blower Speed Terminal	X
13	8611-006	Ground Lug	X
25	8611-140-1400	14" Cable Duct	X
26	8611-140-0500	5" Cable Duct	X
27	8552-002	Capacitor 5/370V, 1-1/4" Oval	X
28	8550-003	Capacitor Strap, 1-1/4" Oval	X
29	8201-126	3 Phase Line Monitor	X
NS	3003-060	Main Control Panel Wire Harness	X
NS	8201-086	LAC Relay	X
NS	3000-1598	Blower Power Plug	X
NS	3000-1599	Blower Speed Plug	X
NS	4096-368	Wiring Diagram	X

# BLOWER ASSEMBLY



SEXP-909

Dwg No.	Part Number	Description	900-358-003	900-358-004	900-359-002
1	S8105-064-0168	Blower Motor (230/208V)	X		
1	S8105-064-0169	Blower Motor (230/208V)		X	
1	S8105-065-0170	Blower Motor (460V)			X
2	151-115	Housing	2	2	2
3	144-183	Cutoff	X	X	X
4	5152-092	Wheel 9-6 CW	X	X	X
5	5152-093	Wheel 9-6 CCW	X	X	X
6	105-1061	Back Brace	X	X	X
7	5451-011	Grommets	6	6	6
8	8200-031	Motor Mount	X	X	X
9	103-435	Front Brace	X	X	X
10	113-721	Motor Control Bracket	X	X	X