
REPLACEMENT PARTS MANUAL

Wall Mounted Packaged Heat Pump

Models:

J30HB-A J36HB-A
J30HB-B J36HB-B
J30HB-C J36HB-C

Contents

Description	Page
Cabinet Components	
♦ Exploded View	2
♦ Usage List	3
Functional Components	
♦ Exploded View	4
♦ Usage List	5
Control Panel – 230 Volt 1 Phase Units	
♦ Layout View	6
♦ Usage List	7
Control Panel – 230 Volt 3 Phase Units	
♦ Layout View	8
♦ Usage List	9
Control Panel – 460 Volt 3 Phase Units	
♦ Layout View	10
♦ Usage List	11
Blower Assembly	
♦ Exploded View	12
♦ Usage List	12

General Notes

- Revised and/or additional pages may be issued from time to time.
- A complete and current manual consists of pages shown in the following contents section.

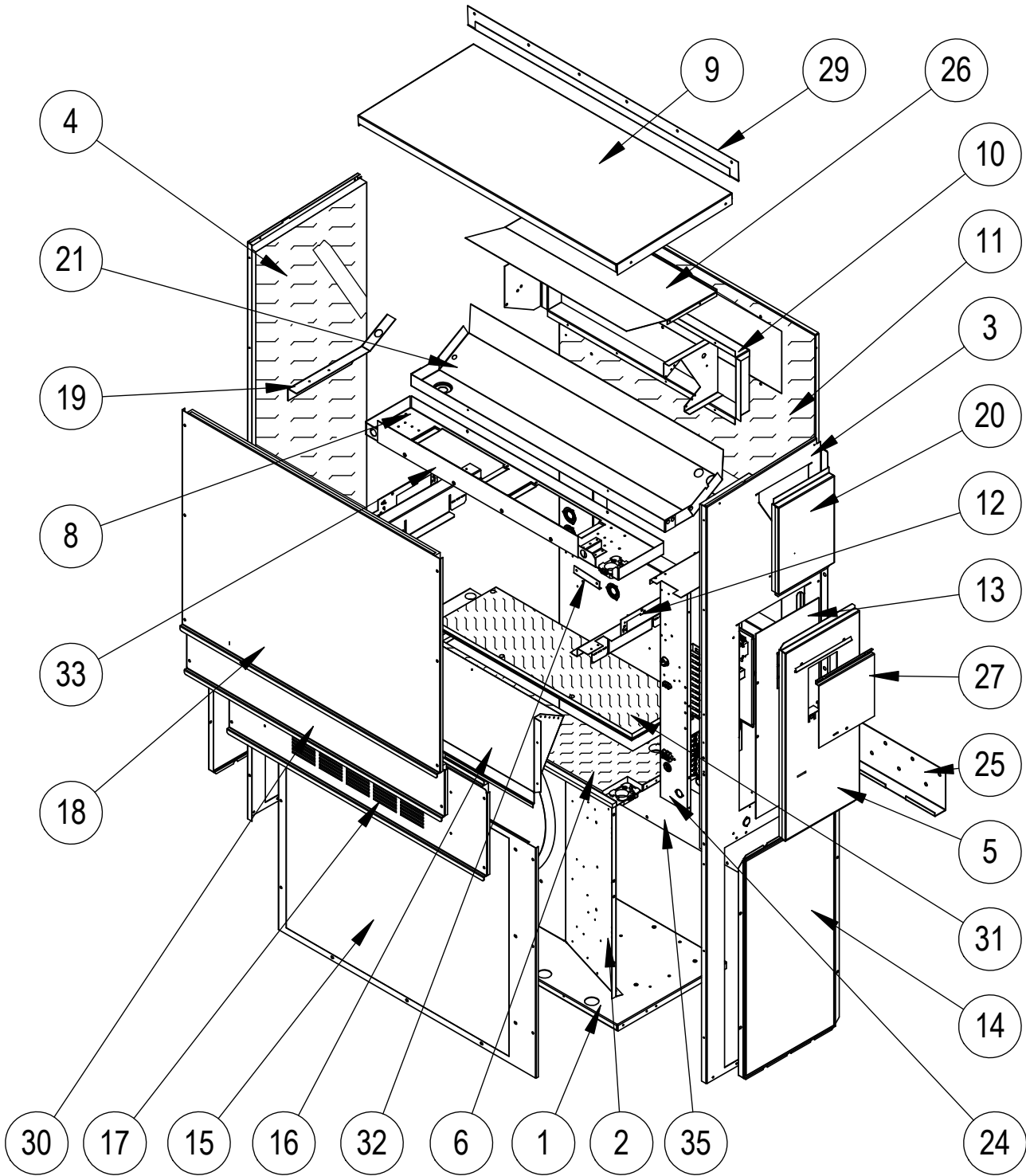
Important

- Contact the installing and/or local distributor for all parts requirements. Make sure you have the complete model and serial number available from the unit rating plates.



Manual: 2110-1555F
Supersedes: 2110-1555E
Date: 1-2-24

CABINET COMPONENTS

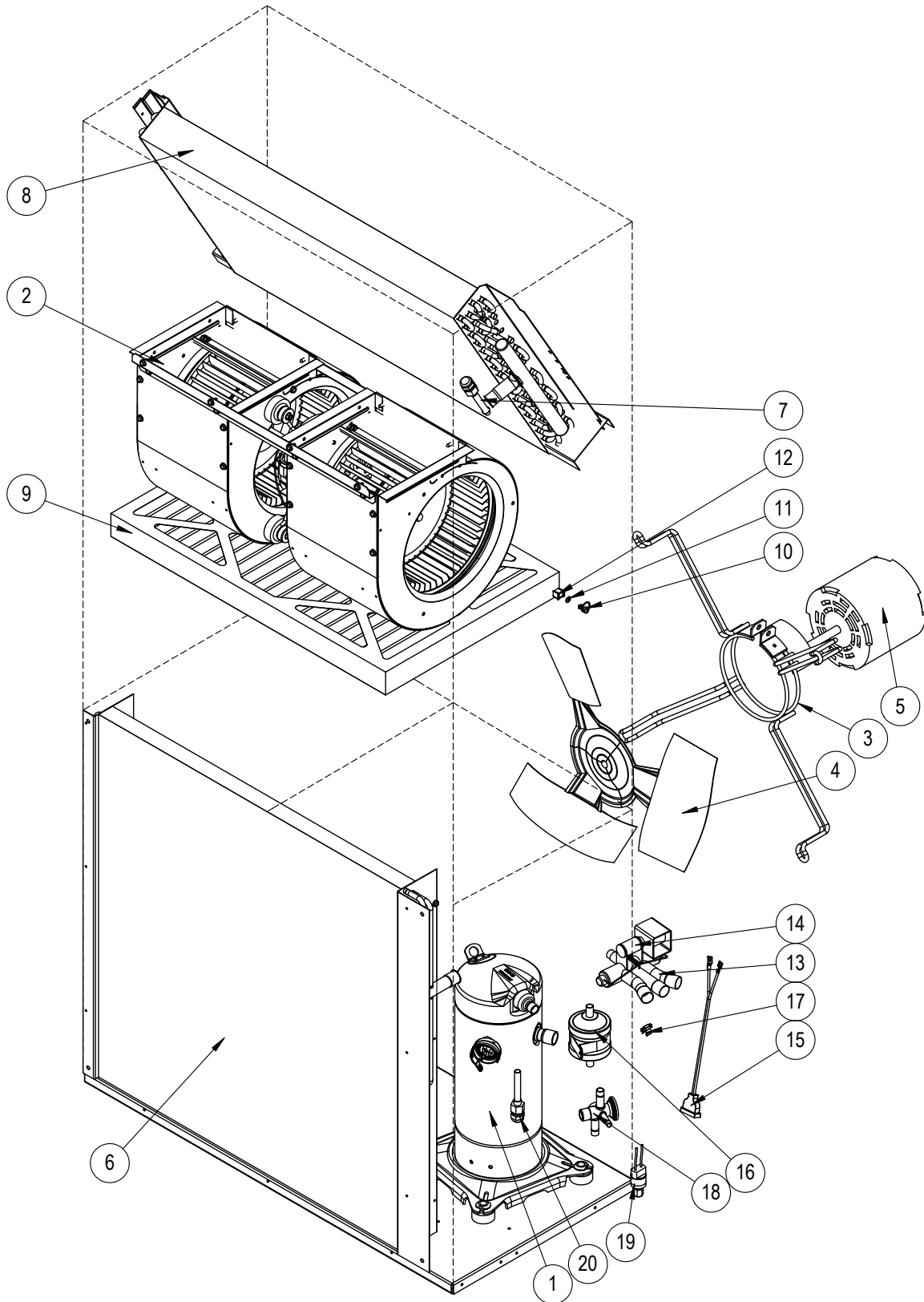


SEXP-984 B

CABINET COMPONENTS

Dwg No.	Part Number	Description	J30HB-A, B	J30HB-C	J36HB-A, B	J36HB-C
1	S127-471	Lower Base	X	X	X	X
2	125-081	Fan Shroud	X	X	X	X
3	S501-933-X	Right Side	X	X	X	X
4	S501-934-X	Left Side	X	X	X	X
5	S533-228-X	Control Panel Cover (Outer)	X	X	X	X
6	S521X527	Condenser Partition	X	X	X	X
8	121X467	Blower Partition	X	X	X	X
9	S507-308-X	Top	X	X	X	X
10	S111X030	Outlet Air Frame Assembly	X	X	X	X
11	S509-451	Upper Back	X	X	X	X
12	113X480	Filter Bracket	2	2	2	2
13	S132-104	Control Panel Cover (Inner)	X		X	
13	S132-172	Control Panel Cover (Inner)		X		X
14	118-124-X	Side Grille	2	2	2	2
15	118-103-X	Condenser Grille	X	X	X	X
16	BFAD-3	Fresh Air Damper Assembly	X	X	X	X
17	S553-523-X	Vent Option Door	X	X	X	X
18	S514-264-X	Upper Front	X	X	X	X
19	105X850	Side Support	X	X	X	X
20	S543-175-X	Right Side Cover Plate (Outer)	X	X	X	X
21	S123-127	Drain Pan	X	X	X	X
22	147-044	Evaporator Support	X	X	X	X
24	Control Panel Assembly	See Control Panel Assy. Drawing & Parts List Assy.	X	X	X	X
25	113-140	Bottom Mounting Bracket	X	X	X	X
26	135X123	Heat Shield	X	X	X	X
27	S153-218-X	Disconnect Access Door	X	X	X	X
28	137-259	Fill Plate	X	X	X	X
29	113-149-X	Top Rain Flashing	X	X	X	X
30	S553-524-X	Filter Door	X	X	X	X
31	S536-498	Cond. Partition Block Off Plate	X	X	X	X
32	105-1302	Grommet Retainer	X	X	X	X
33	135-329	Air Baffle	X	X	X	X
35	109-450	Lower Back	X	X	X	X

FUNCTIONAL COMPONENTS

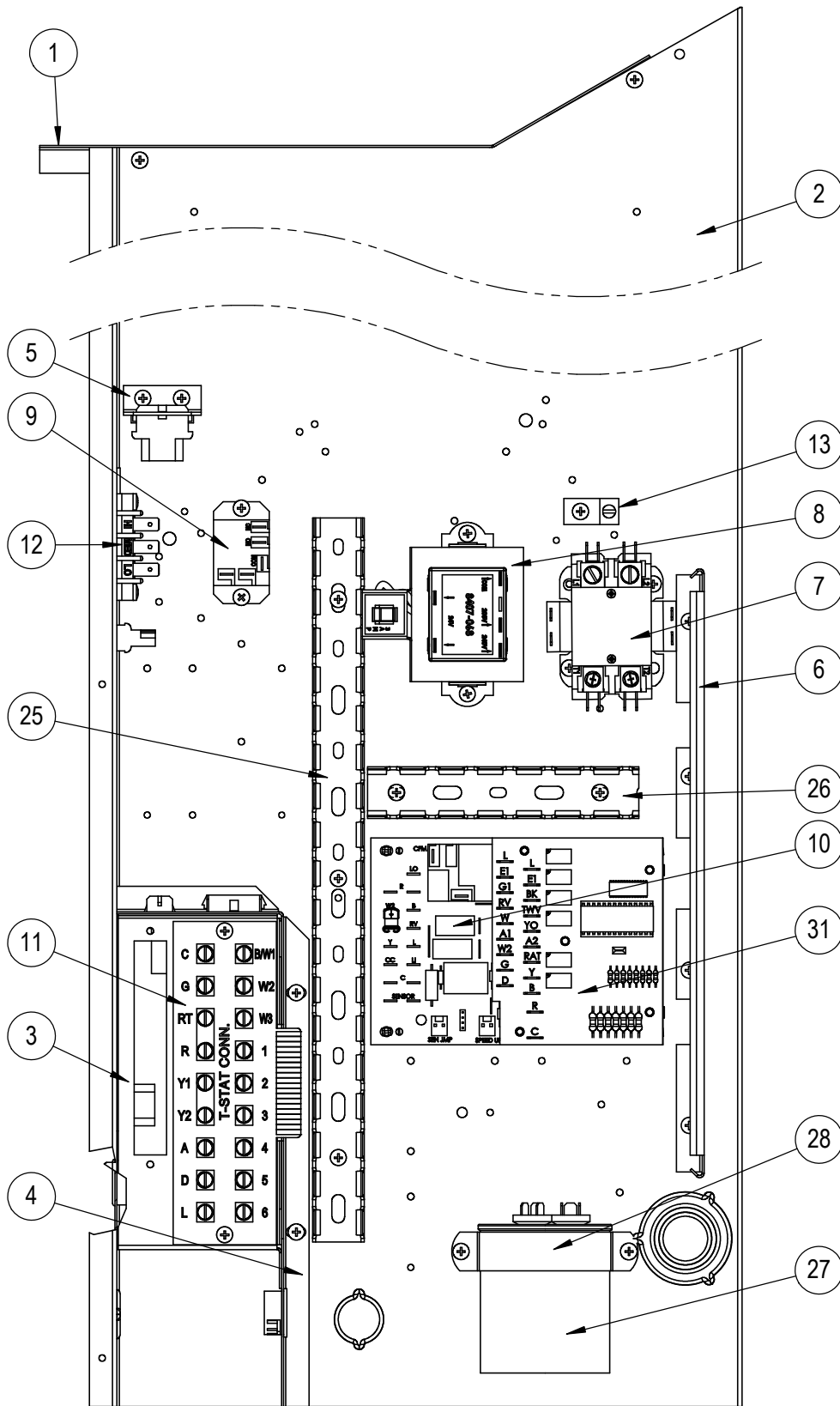


SEXP-985

FUNCTIONAL COMPONENTS

Dwg No.	Part Number	Description	J30HB-A	J30HB-B	J30HB-C	J36HB-A	J36HB-B	J36HB-C
1	8000-277	Compressor	X					
1	8000-365	Compressor		X				
1	8000-366	Compressor			X			
1	8000-278	Compressor				X		
1	8000-283	Compressor					X	
1	8000-342	Compressor						X
NS	3000-1224	Molded Compressor Wire Harness (1-PH)	X			X		
NS	3000-1231	Molded Compressor Wire Harness (3-PH)		X	X		X	X
2	900-360-0171BX	Blower Assembly	X	X				
2	900-361-0172BX	Blower Assembly			X			
2	900-360-0173BX	Blower Assembly				X	X	
2	900-361-0174BX	Blower Assembly						X
3	8200-001	Fan Motor Mount	X	X	X	X	X	X
4	5151-045	Fan Blade	X	X	X	X	X	X
5	8103-029	Outdoor Fan Motor	X	X		X	X	
5	8103-030	Outdoor Fan Motor			X			X
6	917-0320BX	Outdoor Coil (Includes Distributor)	X	X	X			
6	917-0387BX	Outdoor Coil (Includes Distributor)				X	X	X
7	800-0486	Cooling Distributor Assembly	X	X	X			
7	800-0426	Cooling Distributor Assembly				X	X	X
8	917-0389BX	Indoor Coil (Includes Cooling Distributor)	X	X	X			
8	917-0401BX	Indoor Coil (Includes Cooling Distributor)				X	X	X
9	7004-026	Air Filter 2" Pleated Disposable	X	X	X	X	X	X
10	1171-022	1/4 Turn Fastener	X	X	X	X	X	X
11	1171-024	1/4 Turn Retainer	X	X	X	X	X	X
12	1171-023	1/4 Turn Receptacle	X	X	X	X	X	X
13	5650-039	Reversing Valve w/24V Solenoid Coil	X	X	X	X	X	X
14	5650-046	Reversing Valve 24V Solenoid	X	X	X	X	X	X
15	5650-044	Molded Plug 53" Lead	X	X	X	X	X	X
16	5201-019	Filter Drier, Bi-Directional, 3/8" Connections	X	X	X	X	X	X
17	8620-224	Defrost Sensor Kit	X	X	X	X	X	X
18	5651-200	Heating Expansion Valve	X	X	X			
18	5651-231	Heating Expansion Valve				X	X	X
19	8406-142	High Pressure Switch (650#) Screw On	X	X	X	X	X	X
20	5625-023	Heating Distributor	X	X	X			
20	5625-127	Heating Distributor				X	X	X
NS	8406-135	Low Pressure Switch (14#) Screw On	X	X	X	X	X	X
NS	6031-009	Coremax Valve Core (Service Port)	2	2	2	2	2	2
NS	S8406-105	Low Ambient Fan Cycling Control (350#/225#)	X	X	X	X	X	X
NS	1171-028	Filter Door Clip	X	X	X	X	X	X
NS	1171-057	Filter Door Screw	X	X	X	X	X	X
NS	1171-027	Filter Door Screw Retainer	X	X	X	X	X	X

CONTROL PANEL - 230 VOLT 1 PHASE UNITS

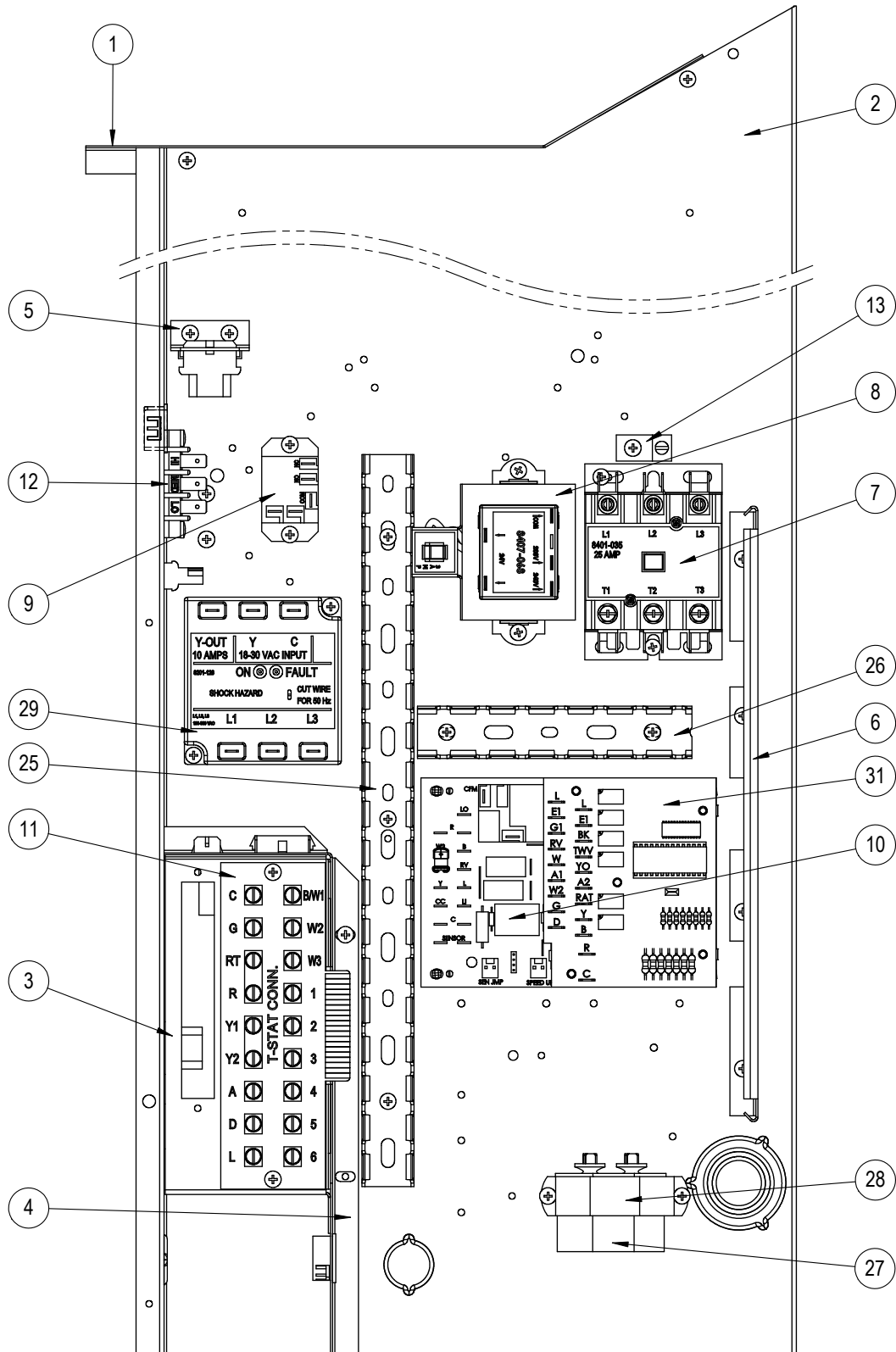


SEXP-987

CONTROL PANEL – 230 VOLT 1 PHASE UNITS

Dwg No.	Part Number	Description	J30HB-A	J36HB-A
1	117X137	Control Panel Top - RH (Sheet Metal Only)	X	X
2	117X374	Control Panel - RH (Sheet Metal Only)	X	X
3	117X375	Low Voltage Box - RH (Sheet Metal Only)	X	X
4	117X385	Low Voltage Partition - RH (Sheet Metal Only)	X	X
NS	3000-1494	Low Voltage Wire Harness (behind LVTS)	X	X
NS	S910-2047	Complete Low Voltage Box Assembly (Sheet Metal, LVTS & Wire Harness)	X	X
5	141-188	Plug Support Bracket (Sheet Metal)	X	X
6	135-122	Wire Shield (Sheet Metal)	X	X
7	8401-033	Contactors 2-Pole	X	X
8	8407-068	Transformer 208/240-24, 50VA	X	X
9	8201-130	Relay, SPDT	X	X
10	8620-223	Defrost Board Replacement Kit w/Sensor	X	X
11	8607-044	Blower Speed Strip	X	X
12	8607-042	Blower Speed Terminal	X	X
13	8611-006	Ground Lug	X	X
25	8611-140-1400	14" Cable Duct	X	X
26	8611-140-0500	5" Cable Duct	X	X
27	8552-052	Capacitor 45+5/370V, 2-1/2" Round	X	X
28	8550-008	Capacitor Strap, 2-1/2" Round	X	X
NS	3003-058	Main Control Panel Wire Harness	X	X
NS	8201-086	LAC Relay	X	X
NS	3000-1598	Blower Power Plug	X	X
NS	3000-1599	Blower Speed Plug	X	X
NS	4096-168	Wiring Diagram	X	X

CONTROL PANEL - 230 VOLT 3 PHASE UNITS

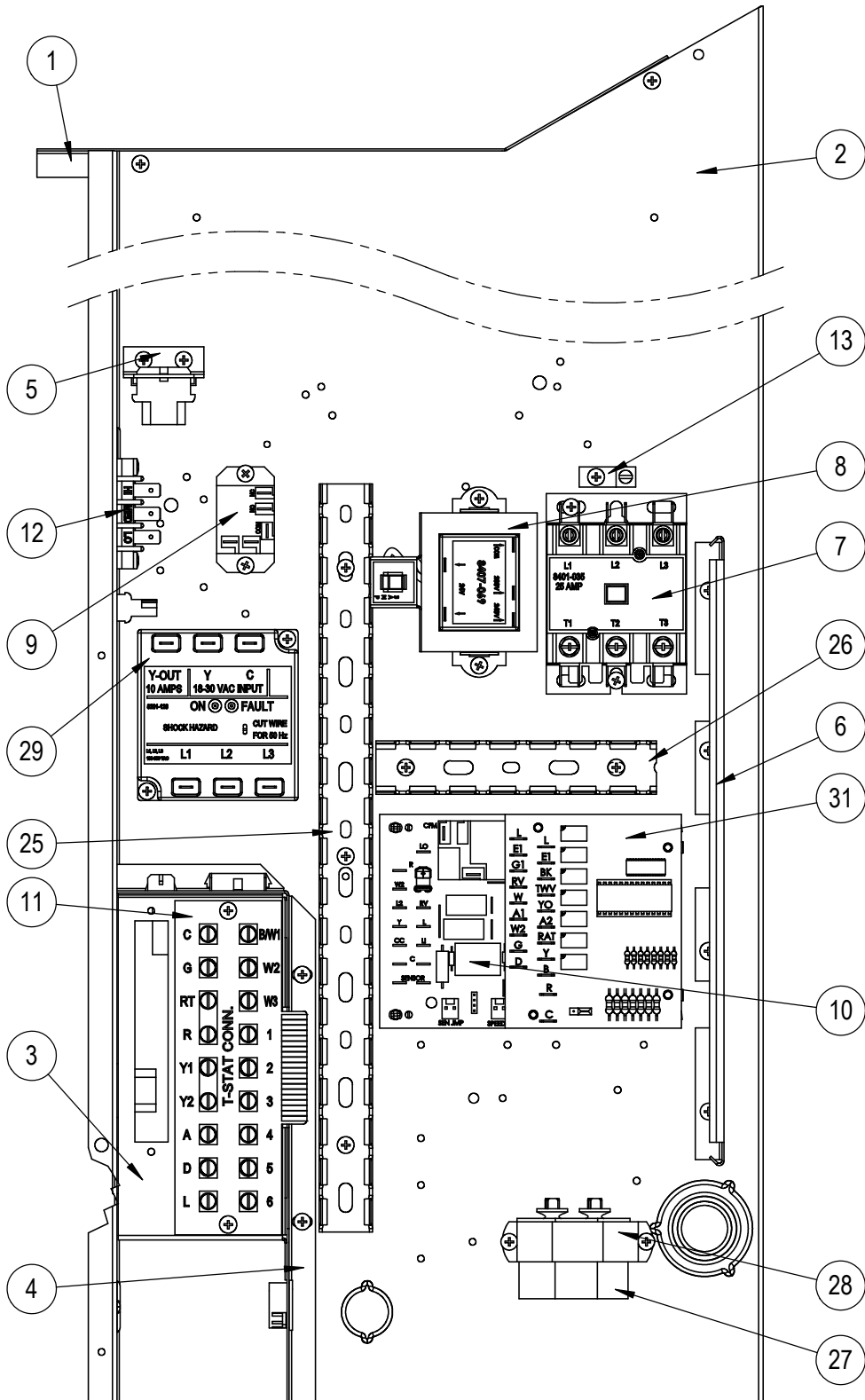


SEXP-988

CONTROL PANEL – 230 VOLT 3 PHASE UNITS

Dwg No.	Part Number	Description	J30HB-B	J36HB-B
1	117X137	Control Panel Top - RH (Sheet Metal Only)	X	X
2	117X374	Control Panel - RH (Sheet Metal Only)	X	X
3	117X375	Low Voltage Box - RH (Sheet Metal Only)	X	X
4	117X385	Low Voltage Partition - RH (Sheet Metal Only)	X	X
NS	3000-1494	Low Voltage Wire Harness (behind LVTS)	X	X
NS	S910-2047	Complete Low Voltage Box Assembly (Sheet Metal, LVTS & Wire Harness)	X	X
5	141-188	Plug Support Bracket (Sheet Metal)	X	X
6	135-122	Wire Shield (Sheet Metal)	X	X
7	8401-035	Contactors 3-Pole	X	X
8	8407-068	Transformer 208/240-24, 50VA	X	X
9	8201-130	Relay, SPDT	X	X
10	8620-223	Defrost Board Replacement Kit w/Sensor	X	X
11	8607-044	Terminal Strip	X	X
12	8607-042	Blower Speed Terminal	X	X
13	8611-006	Ground Lug	X	X
25	8611-140-1400	14" Cable Duct	X	X
26	8611-140-0500	5" Cable Duct	X	X
27	8552-002	Capacitor 5/370V, 1-1/4" Oval	X	X
28	8550-003	Capacitor Strap, 1-1/4" Oval	X	X
29	8201-174BX	3 Phase Line Monitor	X	X
NS	3003-059	Main Control Panel Wire Harness	X	X
NS	8201-086	LAC Relay	X	X
NS	3000-1598	Blower Power Plug	X	X
NS	3000-1599	Blower Speed Plug	X	X
NS	4096-270	Wiring Diagram	X	X

CONTROL PANEL - 460 VOLT 3 PHASE UNITS

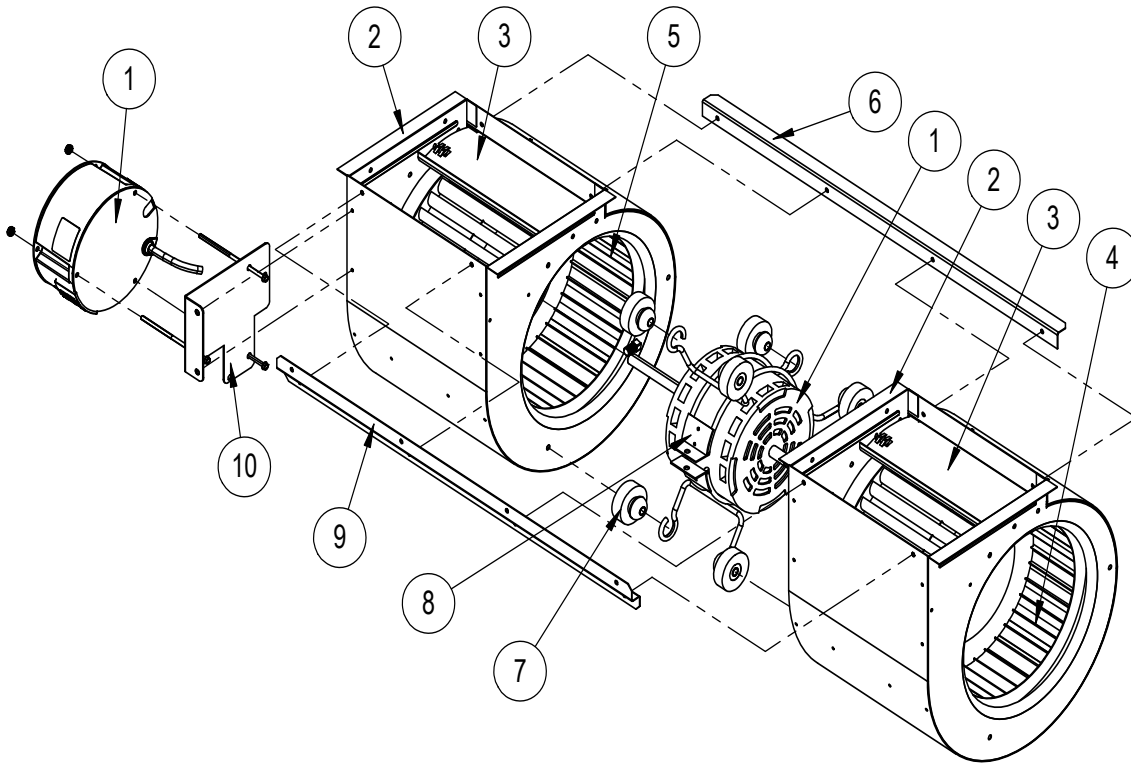


SEXP-989

CONTROL PANEL – 460 VOLT 3 PHASE UNITS

Dwg No.	Part Number	Description	J30HB-C	J36HB-C
1	117X137	Control Panel Top - RH (Sheet Metal Only)	X	X
2	117X374	Control Panel - RH (Sheet Metal Only)	X	X
3	117X375	Low Voltage Box - RH (Sheet Metal Only)	X	X
4	117X385	Low Voltage Partition - RH (Sheet Metal Only)	X	X
NS	3000-1494	Low Voltage Wire Harness (behind LVTS)	X	X
NS	S910-2047	Complete Low Voltage Box Assembly (Sheet Metal, LVTS & Wire Harness)	X	X
5	141-188	Plug Support Bracket (Sheet Metal)	X	X
6	135-122	Wire Shield (Sheet Metal)	X	X
7	8401-035	Contactor 3-Pole	X	X
8	8407-069	Transformer 460-24, 50VA	X	X
9	8201-032	Relay, SPDT, 3 FLA@480V	X	X
10	8620-223	Defrost Board Replacement Kit w/Sensor	X	X
11	8607-044	Terminal Strip	X	X
12	8607-042	Blower Speed Terminal	X	X
13	8611-006	Ground Lug	X	X
25	8611-140-1400	14" Cable Duct	X	X
26	8611-140-0500	5" Cable Duct	X	X
27	8552-002	Capacitor 5/370V, 1-1/4" Oval	X	X
28	8550-003	Capacitor Strap, 1-1/4" Oval	X	X
29	8201-174BX	3 Phase Line Monitor	X	X
NS	3003-060	Main Control Panel Wire Harness	X	X
NS	8201-086	LAC Relay	X	X
NS	3000-1598	Blower Power Plug	X	X
NS	3000-1599	Blower Speed Plug	X	X
NS	4096-368	Wiring Diagram	X	X

BLOWER ASSEMBLY



SEXP-909

Dwg No.	Part Number	Description	900-360-0171BX	900-361-0172BX	900-360-0173BX	900-361-0174BX
1	S8106-068-0171	Blower Motor & Control (230/208V)	X			
1	S8106-069-0172	Blower Motor & Control (460V)		X		
1	S8106-068-0173	Blower Motor & Control (230/208V)			X	
1	S8106-069-0174	Blower Motor & Control (460V)				X
1	C8106-068-0171	Programmed Control Only (230/208V)	O			
1	C8106-069-0172	Programmed Control Only (460V)		O		
1	C8106-068-0173	Programmed Control Only (230/208V)			O	
1	C8106-069-0174	Programmed Control Only (460V)				O
2	151-111	Housing	2	2	2	2
3	144-174	Diffuser	X	X	X	X
4	5152-090	Wheel CW	X	X	X	X
5	5152-091	Wheel CCW	X	X	X	X
6	105-870	Back Brace	X	X	X	X
7	5451-011	Grommets	6	6	6	6
8	8200-031	Motor Mount	X	X	X	X
9	103-401	Front Brace	X	X	X	X
10	113-721	Motor Control Bracket	X	X	X	X

X – Standard Component
O – Optional Component