
REPLACEMENT PARTS MANUAL

Wall-Mounted Packaged Heat Pump

Models:

T60H2-A T60H2-B T60H2-C

General Notes

- Revised and/or additional pages may be issued from time to time.
- A complete and current manual consists of pages shown in the following contents section.

Important

- Contact the installing and/or local Bard distributor for all parts requirements. Be sure to have the complete model and serial number available from the unit rating plates.

Contents

<u>Description</u>	<u>Page</u>
Cabinet Components	
♦ Exploded View.....	2
♦ Usage List	3
Functional Components	
♦ Exploded View.....	4
♦ Usage List	5
Control Panel	
♦ Layout View	6
♦ Usage List	7
Blower Assembly	
♦ Exploded View.....	8
♦ Usage List	8

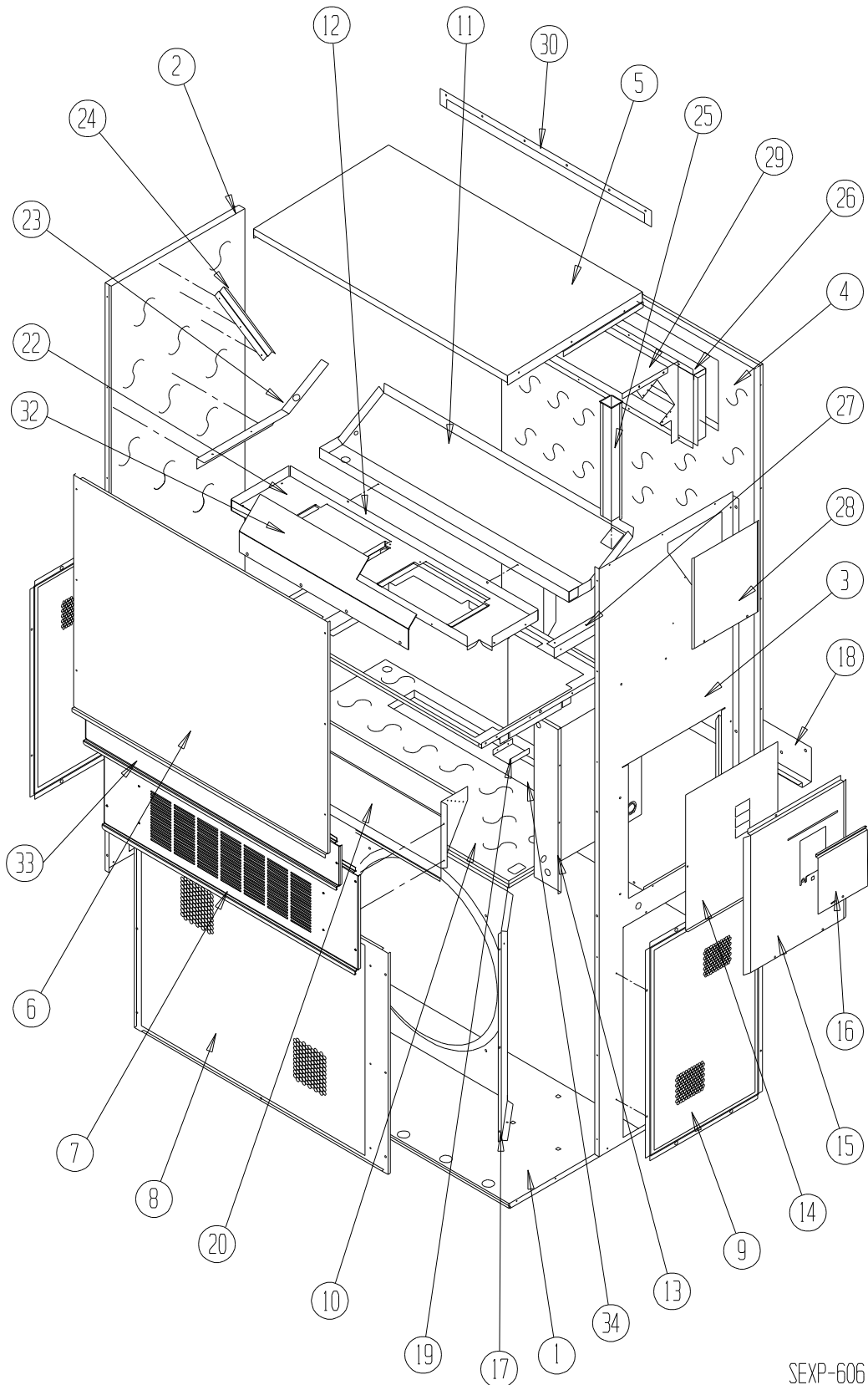


Climate Control Solutions

Bard Manufacturing Company, Inc.
Bryan, Ohio 43506
www.bardhvac.com

Manual: 2110-1557C
Supersedes: 2110-1557B
Date: 3-23-22

CABINET COMPONENTS



SEXP-606

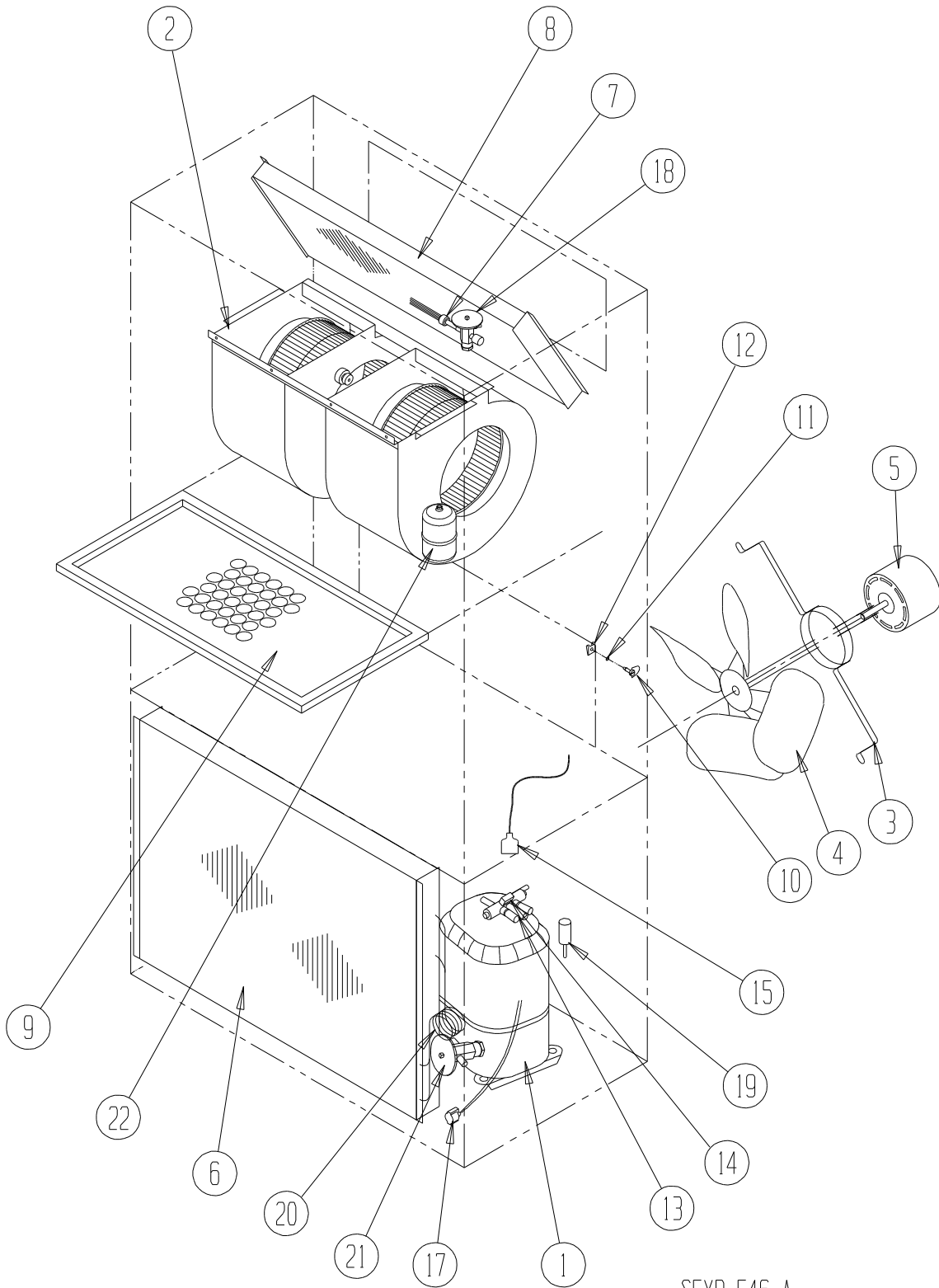
CABINET COMPONENTS

Dwg. No.	Part Number	Description	T60H2-A, -B T60H2-C	
1	S127X214	Lower Base	X	X
1	S127X369 ③	Lower Base	X	X
2	S500-613-* ①	Left Side	X	X
2	S500-615 ②	Left Side	X	X
2	S500-617 ③	Left Side	X	X
3	S500-612-* ①	Right Side	X	X
3	S500-614 ②	Right Side	X	X
3	S500-616 ③	Right Side	X	X
4	S508-251	Back	X	X
4	S508-252 ②	Back	X	X
4	S508-253 ③	Back	X	X
5	S506-142-* ①	Top	X	X
5	S506-251 ②	Top	X	X
5	S506-274 ③	Top	X	X
6	S515-193-* ①	Upper Front	X	X
6	S514-194 ②	Upper Front	X	X
6	S514-195 ③	Upper Front	X	X
7	S553-383-* ①	Vent Option Door	X	X
7	S553-408-* ①	Vent Option Door with ERV	X	X
7	S552-456 ②	Vent Option Door	X	X
7	S553-449 ③	Vent Option Door	X	X
8	118-085-* ①	Condenser Grille	X	X
8	118-087 ②	Condenser Grille	X	X
8	118-089 ③	Condenser Grille	X	X
9	118-086-* ①	Side Grille	2	2
9	118-088 ②	Side Grille	2	2
9	118-090 ③	Side Grille	2	2
10	S521X258	Condenser Partition	X	X
11	S123-122	Drain Pan	X	X
12	121X216	Blower Partition	X	X
13	Control Panel Assembly	See Control Panel Assembly Drawing and Parts List Assembly	X	X
14	S132-114	Control Panel Cover (Inner)	X	
14	S132-344	Control Panel Cover (Inner)		X
15	S533-113-* ①	Control Panel Cover (Outer)	X	X
15	S533-185 ②	Control Panel Cover (Outer)	X	X
15	S533-195 ③	Control Panel Cover (Outer)	X	X
16	S153-218-* ①	Disconnect Access Door	X	X
16	S153-387 ②	Disconnect Access Door	X	X
16	S153-405 ③	Disconnect Access Door	X	X
17	125-063	Fan Shroud	X	X
17	125-064 ③	Fan Shroud	X	X
18	113-140	Bottom Mounting Bracket	X	X
19	137-209	Fill	X	X
20	BFAD-5	Fresh Air Damper Assembly	X	X
22	131X099	Filter Tray	X	X
23	105X877	Left Side Support	X	X
24	147-046	Left Evaporator Support	X	X
25	135-303	Raceway	2	2
26	S111X034	Outlet Air Frame Assembly	X	X
27	105X878	Right Side Support	X	X
28	S143-144-* ①	Right Side Cover Plate (Outer)	X	X
28	S143-145 ②	Right Side Cover Plate (Outer)	X	X
28	S143-146 ③	Right Side Cover Plate (Outer)	X	X
29	135-129	Heat Shield	X	X
30	113-150-* ①	Top Rain Flashing	X	X
30	113-359-* ③	Top Rain Flashing	X	X
33	S553-384-* ①	Filter Door Assembly	X	X
33	S552-457 ②	Filter Door Assembly	X	X
33	S553-450 ③	Filter Door Assembly	X	X
34	S536-258	Condenser Part. Blank-Off Plate	X	X
NS	141-356	Compressor Mounting Plate	X	X

① Exterior cabinet parts are manufactured with various paint color options. To ensure the proper paint color is received, please reference the following codes:

Beige	-X	White	-1	Buckeye Gray	-4
Desert Brown	-5	Dark Bronze	-8		
② Aluminum	A	③ Stainless Steel	S		

FUNCTIONAL COMPONENTS



SEXP-546 A

FUNCTIONAL COMPONENTS

Dwg. No.	Part Number	Description	T60H2-A	T60H2-B	T60H2-C
1	8000-456	Compressor	X		
1	8000-457	Compressor		X	
1	8000-458	Compressor			X
2	S900-273-0010	Blower Assembly	X	X	X
3	8200-004	Fan Motor Mount	X	X	X
4	5151-063	Fan Blade	X	X	X
5	8106-053	Condenser Motor	X	X	X
6	5051-169BX	Condenser Coil	X	X	X
7	800-0416	Cooling Distributor	X	X	X
8	917-0190BX	Evaporator Coil	X	X	X
9	7004-016	Air Filter 1" Throw-Away	X	X	X
9	7004-049	Air Filter 2" Pleated MERV 11 ①	X	X	X
9	7004-027	Air Filter 2" Pleated MERV 6 ①	X	X	X
10	1171-022	1/4" Turn Fastener	X	X	X
11	1171-024	1/4" Turn Retainer	X	X	X
12	1171-023	1/4" Receptacle	X	X	X
13	5650-040	Reversing Valve with 24V Solenoid Coil	X	X	X
14	5650-042	Rev. Valve Solenoid, Red Casing (Ranco)	X	X	X
14	5650-046	Rev. Valve Solenoid, Black Casing (San Hua)	X	X	X
15	5650-037	Molded Plug 36" Lead	X	X	X
17	8620-225	Defrost Sensor	X	X	X
19	1804-0462	High Pressure Switch (Flare) ①	X	X	X
20	800-0414	Heating Distributor Assembly	X	X	X
21	5651-199	Expansion Valve Heating	X	X	X
22	5201-010	Filter Drier	X	X	X
NS	1804-0107	Low Pressure Switch (Flare) ①	X	X	X
NS	CMH-19	Low Ambient Control (Flare) ①	X	X	X
NS	3000-1224	Molded Compressor Plug	X		
NS	3000-1231	Molded Compressor Plug		X	X

NS – Not Shown

① – Optional

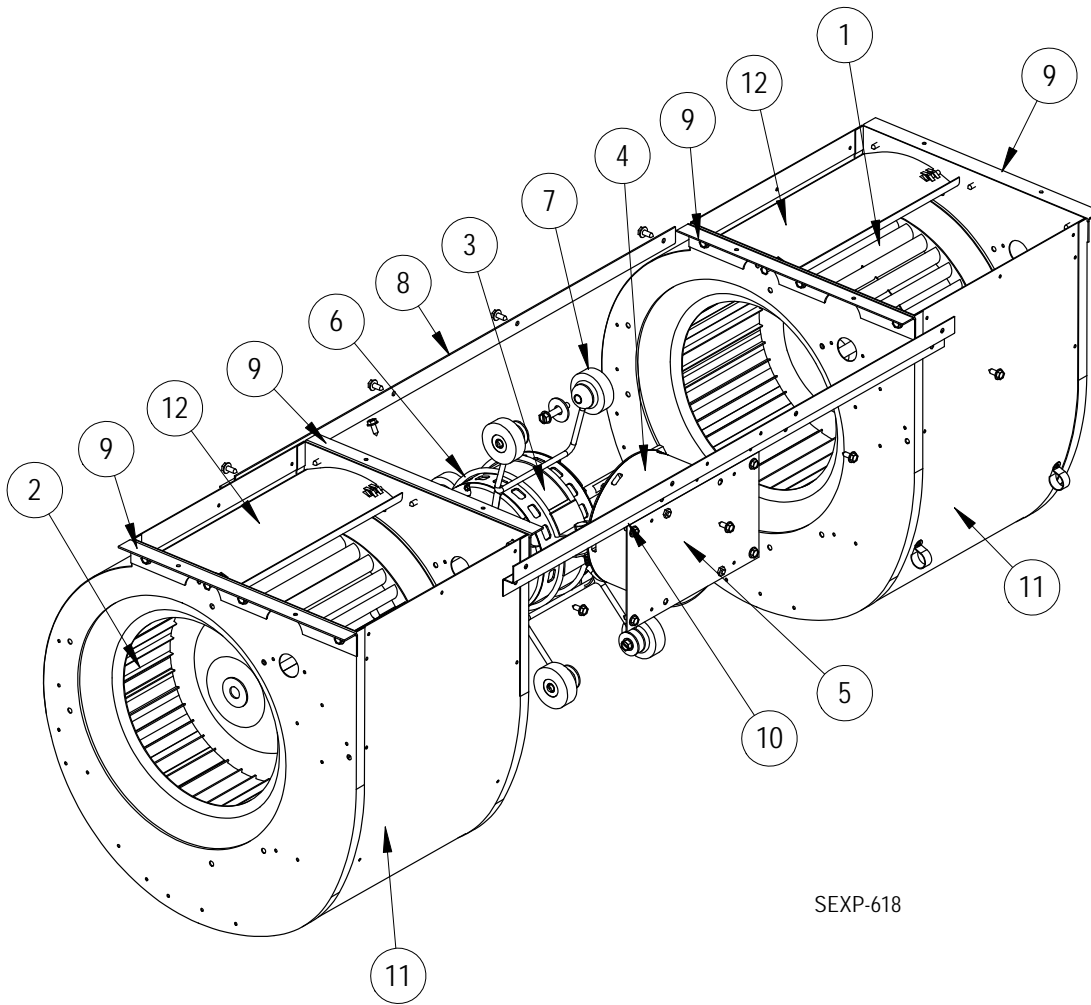
CONTROL PANEL

Dwg. No.	Part Number	Description	T60H2-A	T60H2-B	T60H2-C
1	8607-031	Low Voltage Terminal Strip	X	X	X
2	8607-013	Terminal Block 2 Pole	X		
2	8607-014	Terminal Block 3 Pole		X	X
2	8607-015	Phenolic Insulator			X
4	8407-068	Transformer	X	X	
4	8407-069	Transformer			X
5	S8401-002	Compressor Contactor		X	X
5	8401-025	Compressor Contactor	X		
6	8552-088	Compressor Capacitor	X		
7	135-130	Wire Shield	X	X	X
8	8611-006	Ground Terminal	X	X	X
9	3000-1324	6 Pin Connector	X	X	X
10	8201-086	Low Ambient Bypass Relay ①	X	X	X
12	8620-223	Defrost Board Replacement Kit	X	X	X
13	117-309	Control Panel (Sheet Metal Only)	X	X	X
14	8551-004	Start Device ① PTCR	X		
16	117-312	Low Voltage Box	X	X	X
17	8201-126	Phase Monitor		X	X
18	8607-017	Terminal Block ①	X	X	X
20	8201-032	Outdoor Fan Relay			X
23	8614-046	Fuse			2
23	8614-042	Fuse			2
24	3000-1221	Blower Wire Harness Power	X	X	X
25	3000-1323	Blower Wire Harness Control	X	X	X
NS	4096-158	Wiring Diagram	X		
NS	4096-256	Wiring Diagram		X	
NS	4096-357	Wiring Diagram			X
NS	8615-041	Circuit Breaker 60A 2 Pole (OZ)	X		
NS	8615-043	Circuit Breaker 40A 3 Pole (OZ)		X	
NS	S8615-101	Rotary Disconnect (OZ)			X

NS – Not Shown

① – Optional

BLOWER ASSEMBLY



SEXP-618

S900-273-0010

Dwg. No.	Part Number	Description	
1	5152-011	10-Inch Wheel (CW)	X
2	5152-012	10-Inch Wheel (CCW)	X
3	8107-032-0086BX	3/4 HP Programmed Motor	X
4	C8107-032-0086A	Programmed Motor Control Only	X
5	112-344	Blower Motor Control Bracket	X
6	8200-040	Motor Mount	X
7	5451-011	Grommets	6
8	105-881	Back Brace	X
9	105-880	Side Angle	4
10	103-389	Front Brace	X
11	151-101	Housing	2
12	144-166	Diffuser	2