
REPLACEMENT PARTS MANUAL

Wall-Mounted Packaged Heat Pump

Models:

T60H2-A T60H2-B T60H2-C

General Notes

- Revised and/or additional pages may be issued from time to time.
- A complete and current manual consists of pages shown in the following contents section.

Important

- Contact the installing and/or local Bard distributor for all parts requirements. Be sure to have the complete model and serial number available from the unit rating plates.

Contents

| <u>Description</u> | <u>Page</u> |
|-----------------------|-------------|
| Cabinet Components | |
| ♦ Exploded View..... | 2 |
| ♦ Usage List | 3 |
| Functional Components | |
| ♦ Exploded View..... | 4 |
| ♦ Usage List | 5 |
| Control Panel | |
| ♦ Layout View | 6 |
| ♦ Usage List | 7 |
| Blower Assembly | |
| ♦ Exploded View..... | 8 |
| ♦ Usage List | 8 |

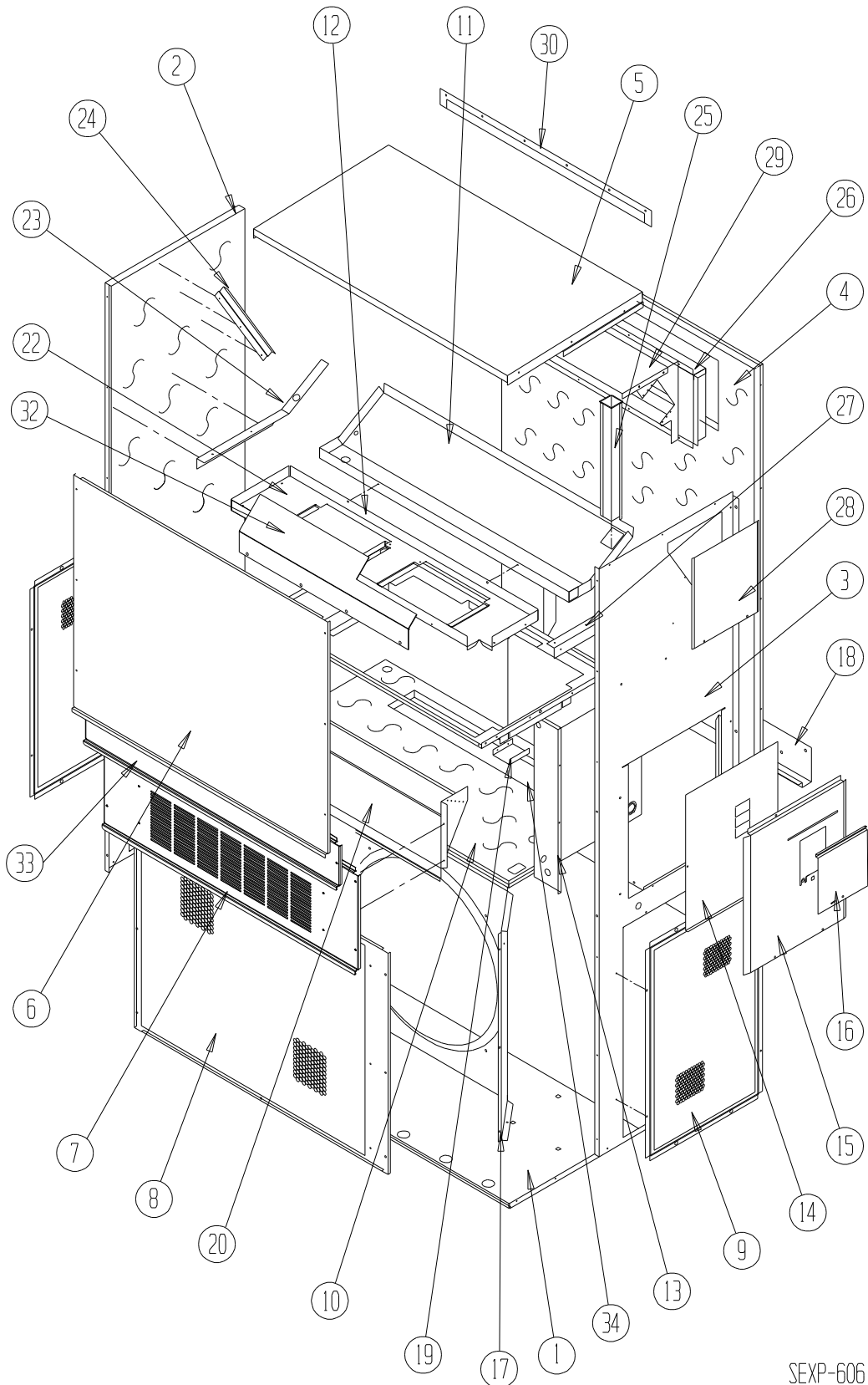


Climate Control Solutions

Bard Manufacturing Company, Inc.
Bryan, Ohio 43506
www.bardhvac.com

Manual: 2110-1557D
Supersedes: 2110-1557C
Date: 3-17-23

CABINET COMPONENTS



SEXP-606

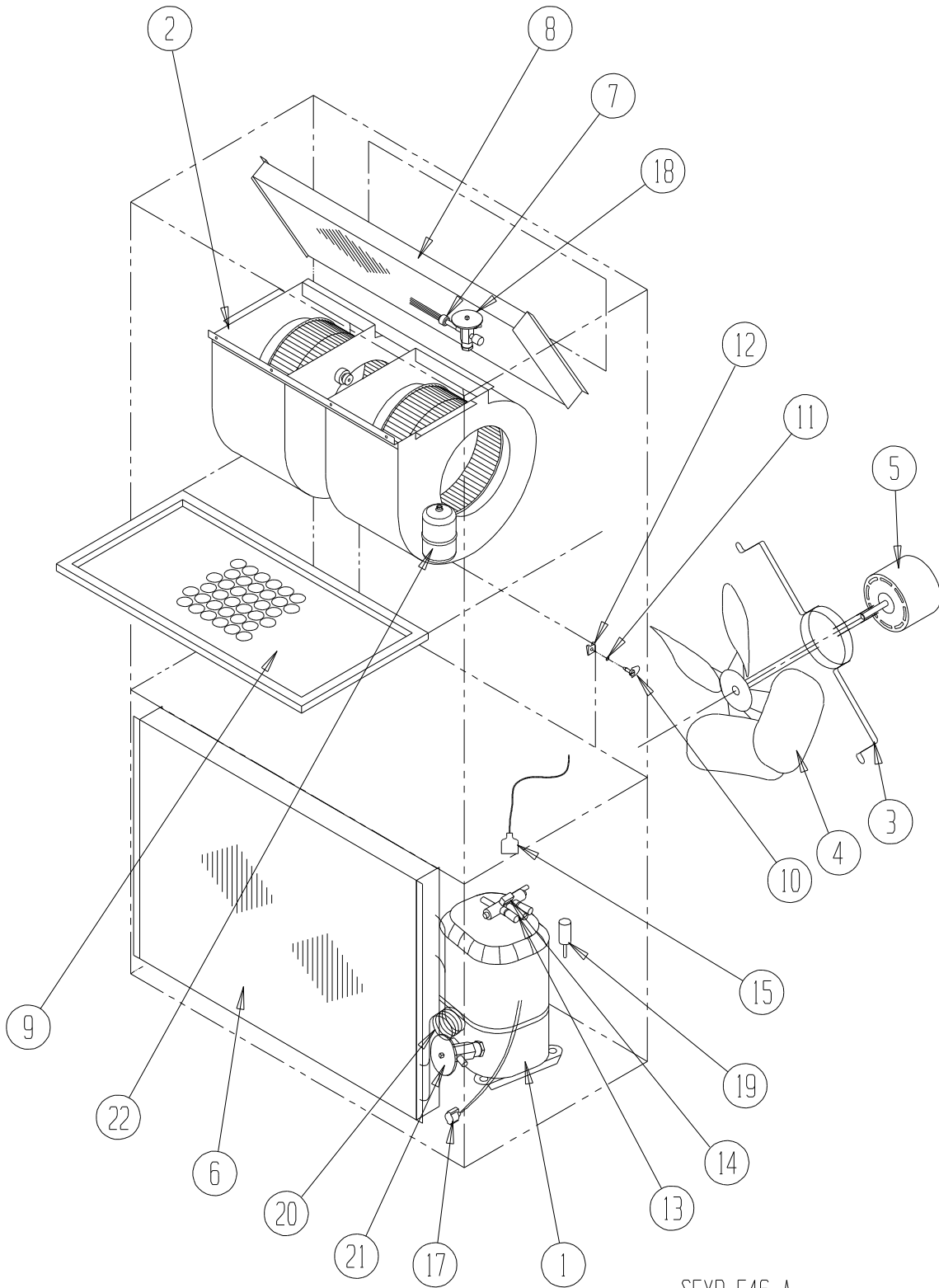
CABINET COMPONENTS

| Dwg. No. | Part Number | Description | T60H2-A, -B T60H2-C | |
|----------|------------------------|------------------------------------------------------------|------------------------|---------|
| | | | T60H2-A, -B | T60H2-C |
| 1 | S127X214 | Lower Base | X | X |
| 1 | S127X369 ③ | Lower Base | X | X |
| 2 | S500-613-* ① | Left Side | X | X |
| 2 | S500-615 ② | Left Side | X | X |
| 2 | S500-617 ③ | Left Side | X | X |
| 3 | S500-612-* ① | Right Side | X | X |
| 3 | S500-614 ② | Right Side | X | X |
| 3 | S500-616 ③ | Right Side | X | X |
| 4 | S508-251 | Back | X | X |
| 4 | S508-252 ② | Back | X | X |
| 4 | S508-253 ③ | Back | X | X |
| 5 | S506-142-* ① | Top | X | X |
| 5 | S506-251 ② | Top | X | X |
| 5 | S506-274 ③ | Top | X | X |
| 6 | S515-193-* ① | Upper Front | X | X |
| 6 | S514-194 ② | Upper Front | X | X |
| 6 | S514-195 ③ | Upper Front | X | X |
| 7 | S553-383-* ① | Vent Option Door | X | X |
| 7 | S553-408-* ① | Vent Option Door with ERV | X | X |
| 7 | S552-456 ② | Vent Option Door | X | X |
| 7 | S553-449 ③ | Vent Option Door | X | X |
| 8 | 118-085-* ① | Condenser Grille | X | X |
| 8 | 118-087 ② | Condenser Grille | X | X |
| 8 | 118-089 ③ | Condenser Grille | X | X |
| 9 | 118-086-* ① | Side Grille | 2 | 2 |
| 9 | 118-088 ② | Side Grille | 2 | 2 |
| 9 | 118-090 ③ | Side Grille | 2 | 2 |
| 10 | S521X258 | Condenser Partition | X | X |
| 11 | S123-122 | Drain Pan | X | X |
| 12 | 121X216 | Blower Partition | X | X |
| 13 | Control Panel Assembly | See Control Panel Assembly Drawing and Parts List Assembly | X | X |
| 14 | S132-114 | Control Panel Cover (Inner) | X | |
| 14 | S132-344 | Control Panel Cover (Inner) | | X |
| 15 | S533-113-* ① | Control Panel Cover (Outer) | X | X |
| 15 | S533-185 ② | Control Panel Cover (Outer) | X | X |
| 15 | S533-195 ③ | Control Panel Cover (Outer) | X | X |
| 16 | S153-218-* ① | Disconnect Access Door | X | X |
| 16 | S153-387 ② | Disconnect Access Door | X | X |
| 16 | S153-405 ③ | Disconnect Access Door | X | X |
| 17 | 125-063 | Fan Shroud | X | X |
| 17 | 125-064 ③ | Fan Shroud | X | X |
| 18 | 113-140 | Bottom Mounting Bracket | X | X |
| 19 | 137-209 | Fill | X | X |
| 20 | BFAD-5 | Fresh Air Damper Assembly | X | X |
| 22 | 131X099 | Filter Tray | X | X |
| 23 | 105X877 | Left Side Support | X | X |
| 24 | 147-046 | Left Evaporator Support | X | X |
| 25 | 135-303 | Raceway | 2 | 2 |
| 26 | S111X034 | Outlet Air Frame Assembly | X | X |
| 27 | 105X878 | Right Side Support | X | X |
| 28 | S143-144-* ① | Right Side Cover Plate (Outer) | X | X |
| 28 | S143-145 ② | Right Side Cover Plate (Outer) | X | X |
| 28 | S143-146 ③ | Right Side Cover Plate (Outer) | X | X |
| 29 | 135-129 | Heat Shield | X | X |
| 30 | 113-150-* ① | Top Rain Flashing | X | X |
| 30 | 113-359-* ③ | Top Rain Flashing | X | X |
| 33 | S553-384-* ① | Filter Door Assembly | X | X |
| 33 | S552-457 ② | Filter Door Assembly | X | X |
| 33 | S553-450 ③ | Filter Door Assembly | X | X |
| 34 | S536-258 | Condenser Part. Blank-Off Plate | X | X |
| NS | 141-356 | Compressor Mounting Plate | X | X |

① Exterior cabinet parts are manufactured with various paint color options. To ensure the proper paint color is received, please reference the following codes:

| | | | | | |
|--------------|----|-------------------|----|--------------|----|
| Beige | -X | White | -1 | Buckeye Gray | -4 |
| Desert Brown | -5 | Dark Bronze | -8 | | |
| ② Aluminum | A | ③ Stainless Steel | S | | |

FUNCTIONAL COMPONENTS



SEXP-546 A

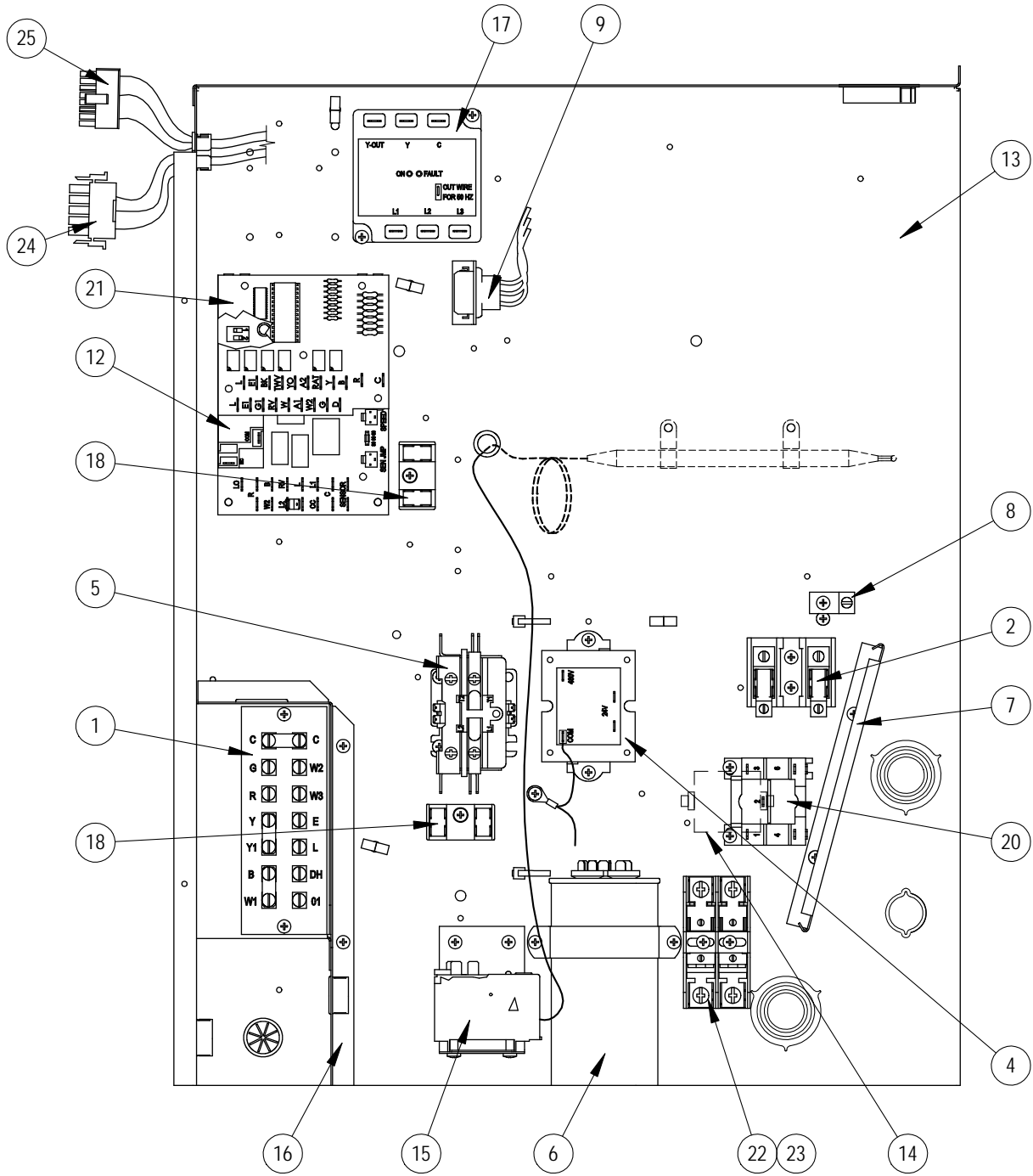
FUNCTIONAL COMPONENTS

| Dwg. No. | Part Number | Description | T60H2-A | T60H2-B | T60H2-C |
|-------------|---------------|---------------------------------------------|---------|---------|---------|
| 1 | 8000-456 | Compressor | X | | |
| 1 | 8000-457 | Compressor | | X | |
| 1 | 8000-458 | Compressor | | | X |
| 2 | S900-273-0010 | Blower Assembly | X | X | X |
| 3 | 8200-004 | Fan Motor Mount | X | X | X |
| 4 | 5151-063 | Fan Blade | X | X | X |
| 5 | 8106-053 | Condenser Motor | X | X | X |
| 6 | 5051-169BX | Condenser Coil | X | X | X |
| 7 | 800-0416 | Cooling Distributor | X | X | X |
| 8 | 917-0190BX | Evaporator Coil | X | X | X |
| 9 | 7004-016 | Air Filter 1" Throw-Away | X | X | X |
| 9 | 7004-049 | Air Filter 2" Pleated MERV 11 ① | X | X | X |
| 9 | 7004-027 | Air Filter 2" Pleated MERV 6 ① | X | X | X |
| 10 | 1171-022 | 1/4" Turn Fastener | X | X | X |
| 11 | 1171-024 | 1/4" Turn Retainer | X | X | X |
| 12 | 1171-023 | 1/4" Receptacle | X | X | X |
| 13 | 5650-040 | Reversing Valve with 24V Solenoid Coil | X | X | X |
| 14 | 5650-042 | Rev. Valve Solenoid, Red Casing (Ranco) | X | X | X |
| 14 | 5650-046 | Rev. Valve Solenoid, Black Casing (San Hua) | X | X | X |
| 15 | 5650-037 | Molded Plug 36" Lead | X | X | X |
| 17 | 8620-225 | Defrost Sensor | X | X | X |
| 19 | 1804-0462 | High Pressure Switch (Flare) ① | X | X | X |
| 20 | 800-0414 | Heating Distributor Assembly | X | X | X |
| 21 | 5651-199 | Expansion Valve Heating | X | X | X |
| 22 | 5201-010 | Filter Drier | X | X | X |
| NS | 1804-0107 | Low Pressure Switch (Flare) ① | X | X | X |
| NS | CMH-19 | Low Ambient Control (Flare) ① | X | X | X |
| NS | 3000-1224 | Molded Compressor Plug | X | | |
| NS | 3000-1231 | Molded Compressor Plug | | X | X |

NS – Not Shown

① – Optional

CONTROL PANEL



SEXP-605

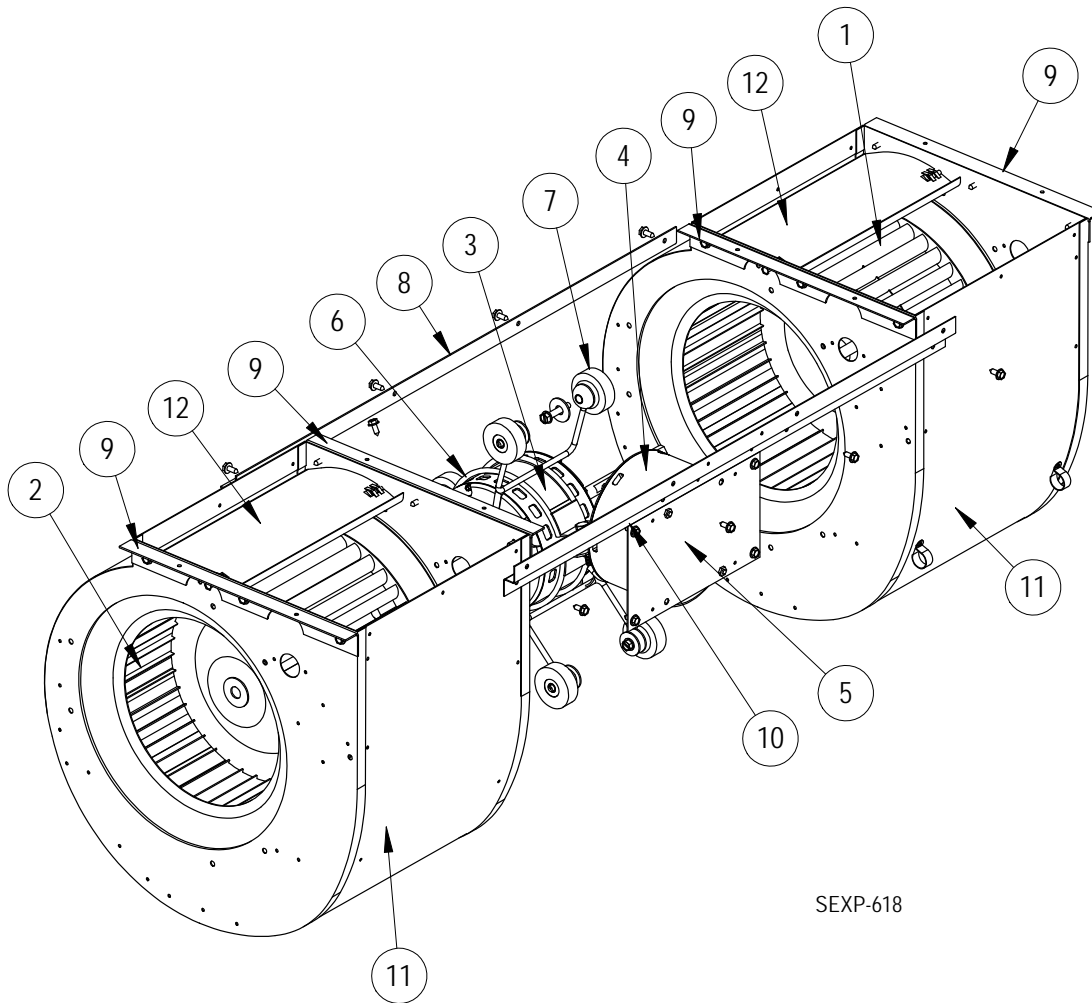
CONTROL PANEL

| Dwg. No. | Part Number | Description | T60H2-A | T60H2-B | T60H2-C |
|-------------|-------------|----------------------------------|---------|---------|---------|
| 1 | 8607-031 | Low Voltage Terminal Strip | X | X | X |
| 2 | 8607-013 | Terminal Block 2 Pole | X | | |
| 2 | 8607-014 | Terminal Block 3 Pole | | X | X |
| 2 | 8607-015 | Phenolic Insulator | | | X |
| 4 | 8407-068 | Transformer | X | X | |
| 4 | 8407-069 | Transformer | | | X |
| 5 | S8401-002 | Compressor Contactor | | X | X |
| 5 | 8401-025 | Compressor Contactor | X | | |
| 6 | 8552-088 | Compressor Capacitor | X | | |
| 7 | 135-130 | Wire Shield | X | X | X |
| 8 | 8611-006 | Ground Terminal | X | X | X |
| 9 | 3000-1324 | 6 Pin Connector | X | X | X |
| 10 | 8201-086 | Low Ambient Bypass Relay ① | X | X | X |
| 12 | 8620-223 | Defrost Board Replacement Kit | X | X | X |
| 13 | 117-309 | Control Panel (Sheet Metal Only) | X | X | X |
| 14 | 8551-004 | Start Device ① PTCR | X | | |
| 16 | 117-312 | Low Voltage Box | X | X | X |
| 17 | 8201-174BX | Phase Monitor | | X | X |
| 18 | 8607-017 | Terminal Block ① | X | X | X |
| 20 | 8201-032 | Outdoor Fan Relay | | | X |
| 23 | 8614-046 | Fuse | | | 2 |
| 23 | 8614-042 | Fuse | | | 2 |
| 24 | 3000-1221 | Blower Wire Harness Power | X | X | X |
| 25 | 3000-1323 | Blower Wire Harness Control | X | X | X |
| NS | 4096-158 | Wiring Diagram | X | | |
| NS | 4096-256 | Wiring Diagram | | X | |
| NS | 4096-357 | Wiring Diagram | | | X |
| NS | 8615-041 | Circuit Breaker 60A 2 Pole (OZ) | X | | |
| NS | 8615-043 | Circuit Breaker 40A 3 Pole (OZ) | | X | |
| NS | S8615-101 | Rotary Disconnect (OZ) | | | X |

NS – Not Shown

① – Optional

BLOWER ASSEMBLY



SEXP-618

S900-273-0010

| Dwg. No. | Part Number | Description | |
|----------|-----------------|-------------------------------|---|
| 1 | 5152-011 | 10-Inch Wheel (CW) | X |
| 2 | 5152-012 | 10-Inch Wheel (CCW) | X |
| 3 | 8107-032-0086BX | 3/4 HP Programmed Motor | X |
| 4 | C8107-032-0086A | Programmed Motor Control Only | X |
| 5 | 112-344 | Blower Motor Control Bracket | X |
| 6 | 8200-040 | Motor Mount | X |
| 7 | 5451-011 | Grommets | 6 |
| 8 | 105-881 | Back Brace | X |
| 9 | 105-880 | Side Angle | 4 |
| 10 | 103-389 | Front Brace | X |
| 11 | 151-101 | Housing | 2 |
| 12 | 144-166 | Diffuser | 2 |