

# REPLACEMENT PARTS MANUAL

## 11EER Q-TEC™ Series

Models:

|         |         |         |         |         |         |
|---------|---------|---------|---------|---------|---------|
| Q36A4DA | Q24H4-A | Q30H4-A | Q36H4-A | Q43H4-A | Q48H4-A |
| Q36A4DB | Q24H4-B | Q30H4-B | Q36H4-B | Q43H4-B | Q48H4-B |
| Q36A4DC | Q24H4-C | Q30H4-C | Q36H4-C | Q43H4-C | Q48H4-C |
| Q42A4DA | Q24H4DA | Q30H4DA | Q36H4DA | Q43H4DA | Q48H4DA |
| Q42A4DB | Q24H4DB | Q30H4DB | Q36H4DB | Q43H4DB | Q48H4DB |
| Q42A4DC | Q24H4DC | Q30H4DC | Q36H4DC | Q43H4DC | Q48H4DC |

### Contents

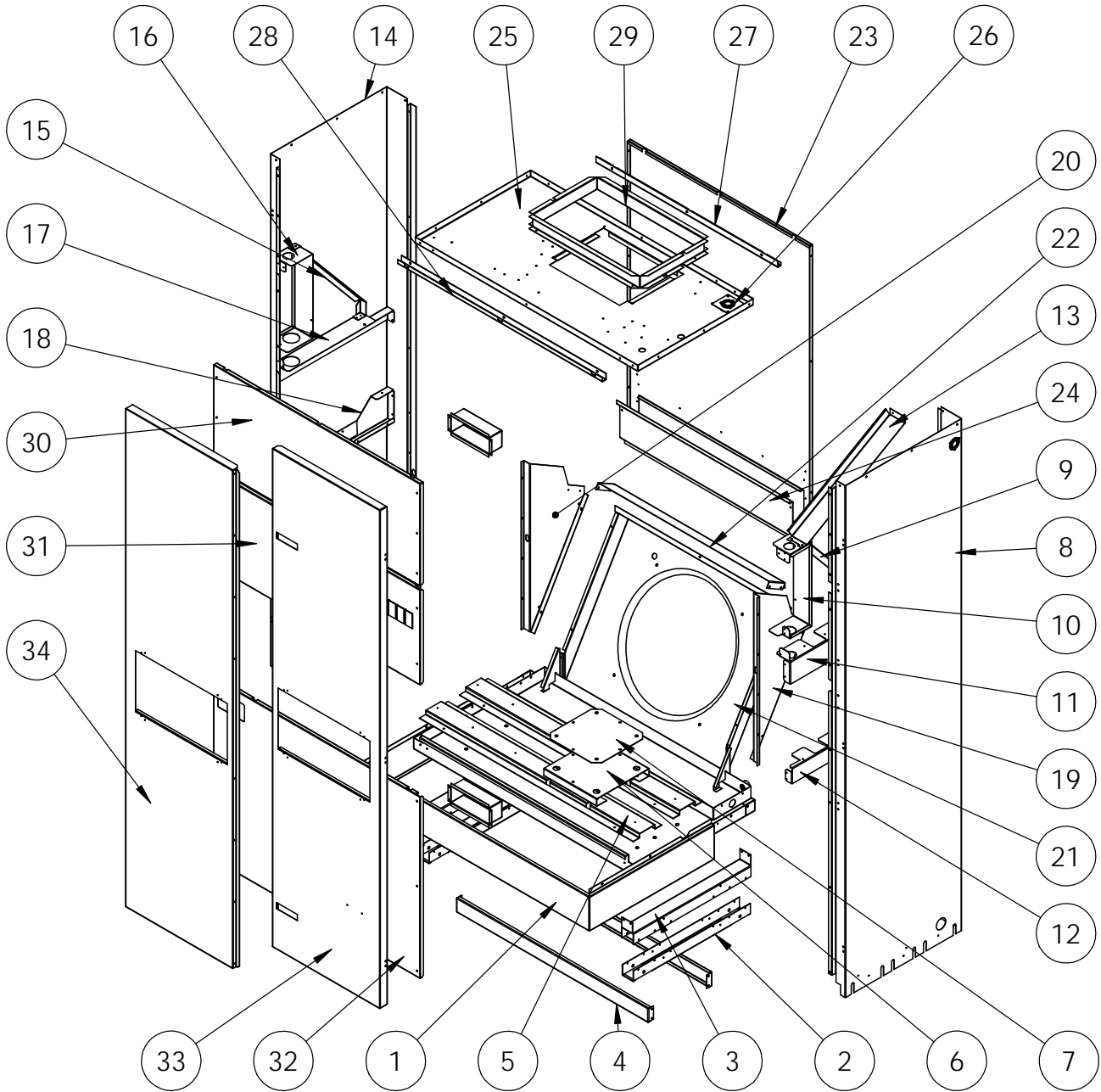
| Description                                     | Page | Description  | Page |
|---|------|--|------|
| External Components – Standard & Dehum.         |      | Blower Assembly Components – Q24/30*4  |      |
| ♦ Exploded View .....                           | 2    | ♦ Exploded View and Usage List .....   | 16   |
| ♦ Usage List .....                              | 3    | Blower Assembly Components – Q36/42/43/48*4  |      |
| Internal Components – Standard & Dehum.         |      | ♦ Exploded View and Usage List .....   | 17   |
| ♦ Exploded View .....                           | 4    | <b>General Notes</b>   |      |
| ♦ Usage List .....                              | 5    | ➤ Revised and/or additional pages may be issued from time to time.   |      |
| Functional Components – Standard & Dehum.       |      | ➤ A complete and current manual consists of pages shown in the following contents section.   |      |
| ♦ Exploded View .....                           | 6    | <b>Important</b>   |      |
| ♦ Usage List .....                              | 7    | ➤ Contact the installing and/or local Bard distributor for all parts requirements. Make sure to have the complete model and serial number available from the unit rating plates. |      |
| ♦ Usage List .....                              | 8    |  |      |
| ♦ Usage List .....                              | 9    |  |      |
| Control Panel Components – QA Dehumidification  |      |  |      |
| ♦ Layout View .....                             | 10   |  |      |
| ♦ Usage List .....                              | 11   |  |      |
| Control Panel Components – QH Standard & Dehum. |      |  |      |
| ♦ Layout View .....                             | 12   |  |      |
| ♦ Usage List .....                              | 13   |  |      |
| ♦ Usage List .....                              | 14   |  |      |



Bard Manufacturing Company, Inc.  
 Bryan, Ohio 43506  
 www.bardhvac.com

Manual: 2110-1568D  
 Supersedes: 2110-1568C  
 Date: 3-5-21

# EXTERNAL COMPONENTS - STANDARD & DEHUMIDIFICATION



SEXP-1022

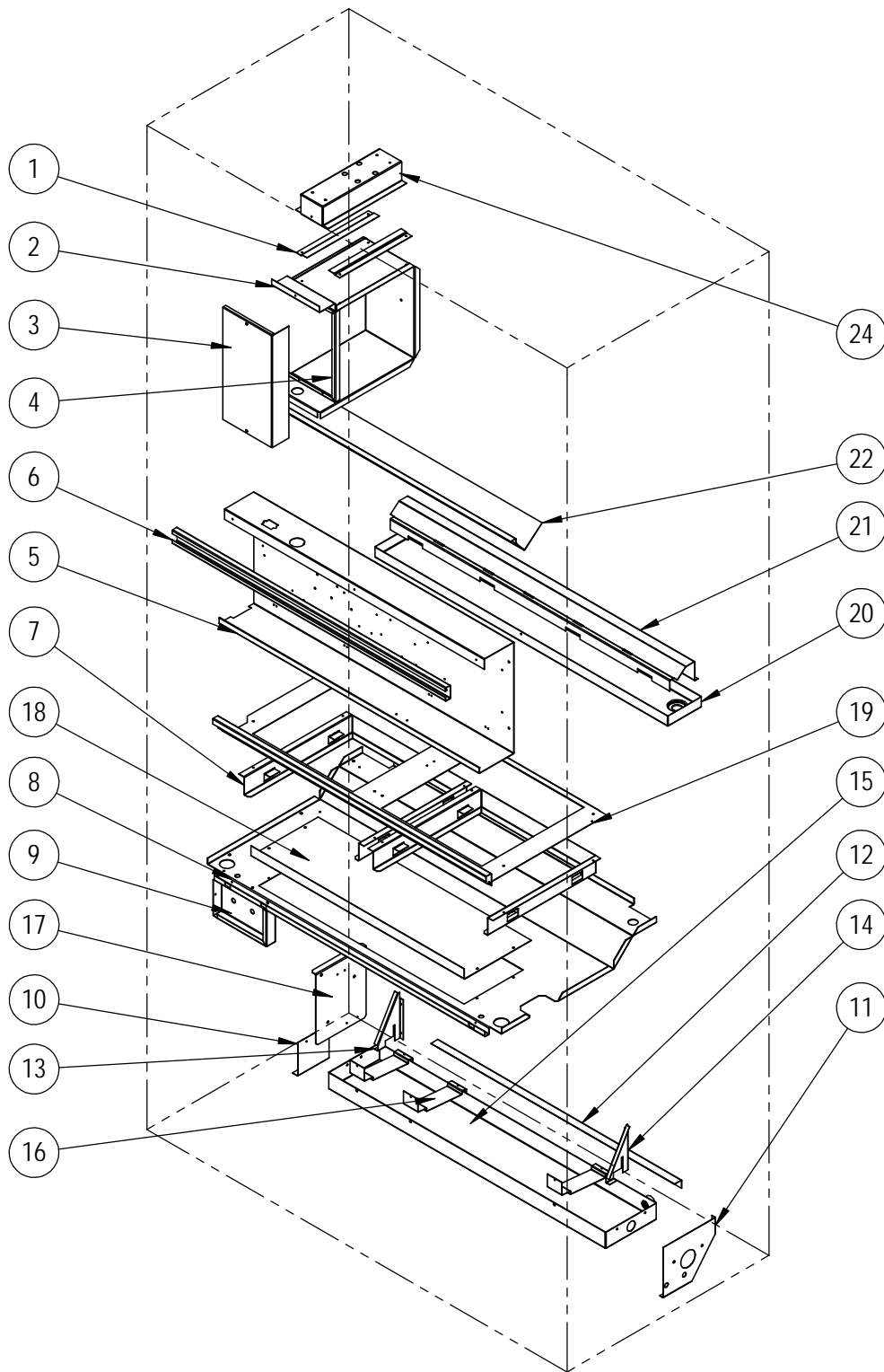
## EXTERNAL COMPONENTS – STANDARD & DEHUMIDIFICATION

| Dwg No. | Part Number | Description                           | Q24H4-A, B, C | Q24H4DA, B, C | Q30H4-A, B, C | Q30H4DA, B, C | Q36H4-A, B, C | Q36A4DA, B, C | Q36H4DA, B, C | Q43H4-A, B, C | Q42A4DA, B, C | Q43H4DA, B, C | Q48H4-A, B, C | Q48H4DA, B, C |
|---------|-------------|---------------------------------------|---------------|---------------|---------------|---------------|---------------|---------------|---------------|---------------|---------------|---------------|---------------|---------------|
| 1       | 135-401-6   | Base Trim                             | X             | X             | X             | X             | X             | X             | X             | X             | X             | X             | X             | X             |
| 1       | 135-402-6   | Base Trim                             | X             | X             | X             | X             | X             | X             | X             | X             | X             | X             | X             | X             |
| 2       | 141-510     | Lower Wheel Rail                      | 2             | 2             | 2             | 2             | 2             | 2             | 2             | 2             | 2             | 2             | 2             | 2             |
| 3       | 141-509     | Upper Wheel Rail                      | 2             | 2             | 2             | 2             | 2             | 2             | 2             | 2             | 2             | 2             | 2             | 2             |
| 4       | 135-399     | Base Supports/Seal Angles             | 2             | 2             | 2             | 2             | 2             | 2             | 2             |               |               |               |               |               |
| 4       | 135-403     | Base Supports/Seal Angles             |               |               |               |               |               |               |               | 2             | 2             | 2             | 2             | 2             |
| 5       | 527-588-X   | Base Assembly                         | X             | X             | X             | X             | X             | X             | X             | X             | X             | X             | X             | X             |
| 5       | 527-595-X   | Base Assembly                         | X             | X             | X             | X             | X             | X             | X             | X             | X             | X             | X             | X             |
| 6       | 141-368     | Compressor Support                    | X             | X             | X             | X             | X             | X             | X             | X             | X             | X             | X             | X             |
| 7       | 140-369     | Compressor Support Plate              | X             | X             | X             | X             | X             | X             | X             | X             | X             | X             | X             | X             |
| 8       | 501-1088-*  | Right Side                            | X             | X             | X             | X             | X             | X             | X             | X             | X             | X             | X             | X             |
| 9       | 146-057     | Right Evaporator Support Angle        | X             | X             | X             | X             | X             | X             | X             | X             | X             | X             | X             | X             |
| 10      | 105-1486    | Right Control Panel Mounting Bracket  | X             | X             | X             | X             | X             | X             | X             | X             | X             | X             | X             | X             |
| 11      | 105-1502    | Right Filter Partition Mounting Angle | X             | X             | X             | X             | X             | X             | X             | X             | X             | X             | X             | X             |
| 12      | 105-1483    | Right Condenser Partition Angle       | X             | X             | X             | X             | X             | X             | X             | X             | X             | X             | X             | X             |
| 13      | 135-400     | Field Wire Channel                    | X             | X             | X             | X             | X             | X             | X             | X             | X             | X             | X             | X             |
| 14      | 501-1089-*  | Left Side                             | X             | X             | X             | X             | X             | X             | X             |               |               |               |               |               |
| 14      | 501-1095-*  | Left Side                             |               |               |               |               |               |               |               | X             | X             | X             | X             | X             |
| 15      | 146-058     | Left Evaporator Support Angle         | X             | X             | X             | X             | X             | X             | X             | X             | X             | X             | X             | X             |
| 16      | 105-1487    | Left Control Panel Mounting Bracket   | X             | X             | X             | X             | X             | X             | X             | X             | X             | X             | X             | X             |
| 17      | 105-1503    | Left Filter Partition Mounting Angle  | X             | X             | X             | X             | X             | X             | X             | X             | X             | X             | X             | X             |
| 18      | 105-1484    | Left Condenser Partition Angle        | X             | X             | X             | X             | X             | X             | X             | X             | X             | X             | X             | X             |
| 19      | 125Y098     | Condenser Right Side                  | X             | X             | X             | X             | X             | X             | X             | X             | X             | X             | X             | X             |
| 20      | 125X098     | Condenser Left Side                   | X             | X             | X             | X             | X             | X             | X             | X             | X             | X             | X             | X             |
| 21      | 125-101     | Fan Shroud                            | X             | X             | X             | X             | X             | X             | X             |               |               |               |               |               |
| 21      | 125-103     | Fan Shroud                            |               |               |               |               |               |               |               | X             | X             | X             | X             | X             |
| 22      | 125-100     | Condenser Top Fill                    | X             | X             | X             | X             | X             | X             | X             |               |               |               |               |               |
| 22      | 125-102     | Condenser Top Fill                    |               |               |               |               |               |               |               | X             | X             | X             | X             | X             |
| 23      | 509-430     | Back                                  | X             | X             | X             | X             | X             | X             | X             |               |               |               |               |               |
| 23      | 509-438     | Back                                  |               |               |               |               |               |               |               | X             | X             | X             | X             | X             |
| 24      | 542-054     | Fresh Air Intake Blank Off Plate      | 0             | 0             | 0             | 0             | 0             | 0             | 0             | 0             | 0             | 0             | 0             | 0             |
| 25      | 107-393     | Top                                   | X             | X             | X             | X             | X             | X             | X             |               |               |               |               |               |
| 25      | 107-396     | Top                                   |               |               |               |               |               |               |               | X             | X             | X             | X             | X             |
| 26      | 136-359     | T.K.O. Plate                          | X             | X             | X             | X             | X             | X             | X             | X             | X             | X             | X             | X             |
| 27      | 105-1481    | Upper Rear Captivation Plate          | X             | X             | X             | X             | X             | X             | X             |               |               |               |               |               |
| 27      | 105-1509    | Upper Rear Captivation Plate          |               |               |               |               |               |               |               | X             | X             | X             | X             | X             |
| 28      | 105-1482    | Upper Front Captivation Plate         | X             | X             | X             | X             | X             | X             | X             |               |               |               |               |               |
| 28      | 105-1510    | Upper Front Captivation Plate         |               |               |               |               |               |               |               | X             | X             | X             | X             | X             |
| 29      | 111-329     | Duct Flange                           | 2             | 2             | 2             | 2             | 2             | 2             | 2             | 2             | 2             | 2             | 2             | 2             |
| 30      | 553-727     | Blower Access Panel Assembly          | X             | X             | X             | X             | X             | X             | X             |               |               |               |               |               |
| 30      | 553-737     | Blower Access Panel Assembly          |               |               |               |               |               |               |               | X             | X             | X             | X             | X             |
| 31      | 533-317     | Control Panel Cover Assembly          | X             | X             | X             | X             | X             | X             | X             |               |               |               |               |               |
| 31      | 533-322     | Control Panel Cover Assembly          |               |               |               |               |               |               |               | X             | X             | X             | X             | X             |
| 32      | 553-728     | Condenser Access Panel Assembly       | X             | X             | X             | X             | X             | X             | X             |               |               |               |               |               |
| 32      | 553-736     | Condenser Access Panel Assembly       |               |               |               |               |               |               |               | X             | X             | X             | X             | X             |
| 33      | 553-725-*   | Right Door Assembly                   | X             | X             | X             | X             | X             | X             | X             |               |               |               |               |               |
| 33      | 553-734-*   | Right Door Assembly                   |               |               |               |               |               |               |               | X             | X             | X             | X             | X             |
| 34      | 553-726-*   | Left Door Assembly                    | X             | X             | X             | X             | X             | X             | X             |               |               |               |               |               |
| 34      | 553-735-*   | Left Door Assembly                    |               |               |               |               |               |               |               | X             | X             | X             | X             | X             |
| NS      | 133-336     | Condenser Fill Plate                  | X             | X             | X             | X             | X             | X             | X             |               |               |               |               |               |
| NS      | 133-337     | Condenser Fill Plate                  |               |               |               |               |               |               |               | X             | X             | X             | X             | X             |

\* Exterior cabinet parts are manufactured with various paint color options. To ensure the proper paint color is received, include the complete model and serial number of the unit for which cabinet parts are being ordered.

X – Standard Component  
O – Optional Component

# INTERNAL COMPONENTS – STANDARD & DEHUMIDIFICATION



SEXP-1025

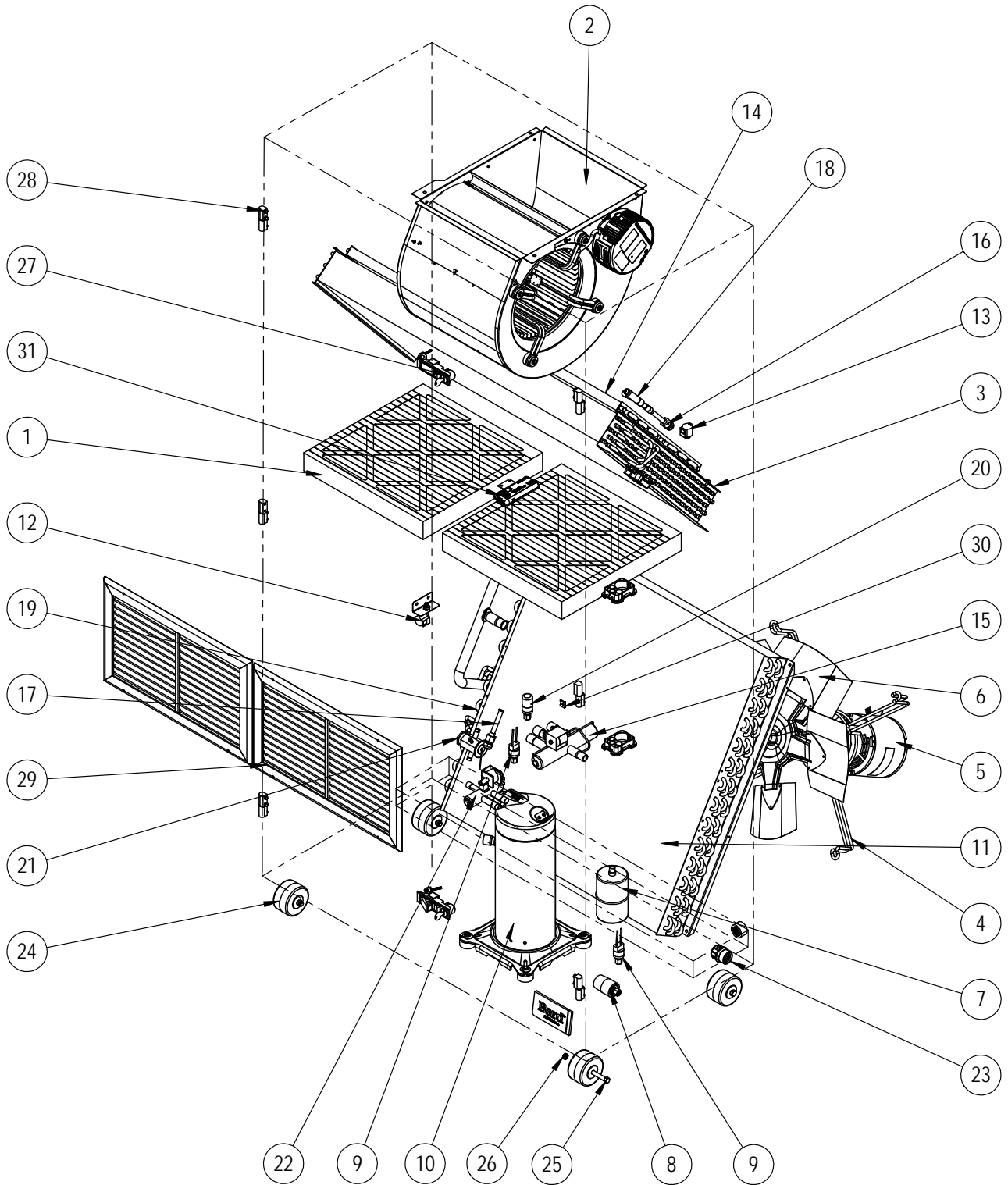
# INTERNAL COMPONENTS – STANDARD & DEHUMIDIFICATION

| Dwg No. | Part Number | Description                                  | Q24H4-A, B, C | Q24H4DA, B, C | Q30H4-A, B, C | Q30H4DA, B, C | Q36H4-A, B, C | Q36A4DA, B, C | Q36H4DA, B, C | Q43H4-A, B, C | Q42A4DA, B, C | Q43H4DA, B, C | Q48H4-A, B, C | Q48H4DA, B, C |
|---------|-------------|--|---------------|---------------|---------------|---------------|---------------|---------------|---------------|---------------|---------------|---------------|---------------|---------------|
| 1       | 103-417     | Heater Package Offsets                       | 2             | 2             | 2             | 2             | 2             | 2             | 2             | 2             | 2             | 2             | 2             | 2             |
| 2       | 117-191     | Heat Strip Mounting Bracket                  | X             | X             | X             | X             | X             | X             | X             | X             | X             | X             | X             | X             |
| 3       | 133-321     | Heater Package Cover                         | X             | X             | X             | X             | X             | X             | X             | X             | X             | X             | X             | X             |
| 4       | 105-987     | Heat Strip Angle                             | X             | X             | X             | X             | X             | X             | X             | X             | X             | X             | X             | X             |
| 5       | 117-422     | Control Panel                                | X             | X             | X             | X             | X             | X             |               |               |               |               |               |               |
| 5       | 117-429     | Control Panel                                |               |               |               |               |               |               | X             | X             | X             | X             | X             | X             |
| 6       | 165-618     | Front "C" Channel                            | X             | X             | X             | X             | X             | X             |               |               |               |               |               |               |
| 6       | 165-619     | Front "C" Channel                            |               |               |               |               |               |               | X             | X             | X             | X             | X             | X             |
| 7       | 131-172     | Filter Angle - 16"                           | 2             | 2             | 2             | 2             | 2             | 2             | X             | X             | X             | X             | X             | X             |
| 7       | 131-176     | Filter Angle - 20"                           |               |               |               |               |               |               | X             | X             | X             | X             | X             | X             |
| 8       | 121-604     | Condenser Partition                          | X             | X             | X             | X             | X             | X             |               |               |               |               |               |               |
| 8       | 121-611     | Condenser Partition                          |               |               |               |               |               |               | X             | X             | X             | X             | X             | X             |
| 9       | 113-824     | Service Port Mounting Bracket                | X             | X             | X             | X             | X             | X             | X             | X             | X             | X             | X             | X             |
| 10      | 141-230     | Left Condenser Drain Pan Bracket             | X             | X             | X             | X             | X             | X             | X             | X             | X             | X             | X             | X             |
| 11      | 141-511     | Right Condenser Drain Pan Bracket            | X             | X             | X             | X             | X             | X             | X             | X             | X             | X             | X             | X             |
| 12      | 143-237     | Condenser Pan Fill Angle                     | X             | X             | X             | X             | X             | X             |               |               |               |               |               |               |
| 12      | 143-240     | Condenser Pan Fill Angle                     |               |               |               |               |               |               | X             | X             | X             | X             | X             | X             |
| 13      | 131Y173     | Left Condenser Fill Pan Angle                | X             | X             | X             | X             | X             | X             | X             | X             | X             | X             | X             | X             |
| 14      | 131X173     | Right Condenser Fill Pan Angle               | X             | X             | X             | X             | X             | X             | X             | X             | X             | X             | X             | X             |
| 15      | 123-164     | Condenser Drain Pan                          | X             | X             | X             | X             | X             | X             |               |               |               |               |               |               |
| 15      | 123-165     | Condenser Drain Pan                          |               |               |               |               |               |               | X             | X             | X             | X             | X             | X             |
| 16      | 140-513     | Copper Hold Down Bracket (Q**H4 Models only) | 2             | 2             | 2             | 2             | 2             | 2             | 2             | 2             | 2             | 2             | 2             | 2             |
| 17      | 113-834     | Fan Motor Control Bracket                    | X             | X             | X             | X             | X             | X             | X             | X             | X             | X             | X             | X             |
| 18      | 536-351*    | Exhaust Blank Off Plate                      | O             | O             | O             | O             | O             | O             | O             | O             | O             | O             | O             | O             |
| 19      | 131-171     | Filter Partition                             | X             | X             | X             | X             | X             | X             |               |               |               |               |               |               |
| 19      | 131-175     | Filter Partition                             |               |               |               |               |               |               | X             | X             | X             | X             | X             | X             |
| 20      | 123-163     | Evaporator Drain Pan                         | X             | X             | X             | X             | X             | X             |               |               |               |               |               |               |
| 20      | 123-166     | Evaporator Drain Pan                         |               |               |               |               |               |               | X             | X             | X             | X             | X             | X             |
| 21      | 105-1476    | Evaporator Coil Riser                        | X             | X             | X             | X             | X             | X             |               |               |               |               |               |               |
| 21      | 105-1508    | Evaporator Coil Riser                        |               |               |               |               |               |               | X             | X             | X             | X             | X             | X             |
| 22      | 143-235     | Evaporator Top Coil Fill                     |               |               |               |               | X             | X             |               |               |               |               |               |               |
| 22      | 143-236     | Evaporator Top Coil Fill                     | X             | X             | X             | X             |               |               |               |               |               |               |               |               |
| 22      | 143-238     | Evaporator Top Coil Fill                     |               |               |               |               |               |               | X             | X             | X             | X             | X             | X             |
| 24      | 113-850     | Heater Package Mounting Bracket              | X             | X             | X             | X             | X             | X             | X             | X             | X             | X             | X             | X             |

\* Unit may have alternative vent installed. Please see vent manual for part information.

X – Standard Component  
O – Optional Component

# FUNCTIONAL COMPONENTS – STANDARD & DEHUMIDIFICATION



SEXP-1023

## FUNCTIONAL COMPONENTS – QA DEHUMIDIFICATION

| Dwg No. | Part Number   | Description  | Q36A4DA | Q36A4DB | Q36A4DC | Q42A4DA | Q42A4DB | Q42A4DC |
|---------|---------------|--|---------|---------|---------|---------|---------|---------|
| 1       | 7004-009      | Air Filter 1" Throw-Away (16 x 16 x 1)               | 2       | 2       | 2       | 2       | 2       | 2       |
| 1       | 7003-032 ①    | Air Filter 2" MERV 4 (16 x 16 x 2)                   | 2       | 2       | 2       | 2       | 2       | 2       |
| 1       | 7004-034 ①    | Air Filter 2" MERV 8 (16 x 16 x 2)                   | 2       | 2       | 2       | 2       | 2       | 2       |
| 1       | 7004-069 ①    | Air Filter 2" MERV 13 (16 x 16 x 2)                  | 2       | 2       | 2       | 2       | 2       | 2       |
| 2       | 5154-005-0228 | Blower Assembly (see page 17)                        |         |         |         | X       | X       | X       |
| 2       | 5154-005-0210 | Blower Assembly (see page 17)                        | X       | X       | X       |         |         |         |
| 3       | 917-0439BX    | Indoor & Reheat Coil w/Distributor Assembly          | X       | X       | X       | X       | X       | X       |
| 3       | 917-0440BX    | Indoor & Reheat Coil - Coated w/Distributor Assembly | 0       | 0       | 0       | 0       | 0       | 0       |
| 4       | 8200-001      | Fan Motor Mount                                      | X       | X       | X       | X       | X       | X       |
| 5       | 8106-047-0223 | Condenser Motor                                      | X       | X       | X       | X       | X       | X       |
| 6       | 5151-055      | Fan Blade  | X       | X       | X       | X       | X       | X       |
| 7       | 5201-021      | Filter Drier   | X       | X       | X       | X       | X       | X       |
| 8       | S8406-112     | Low Ambient Control (LAC)                            | 0       | 0       | 0       | 0       | 0       | 0       |
| 9       | 8406-142      | High Pressure Switch                                 | X       | X       | X       | X       | X       | X       |
| 9       | 8406-140      | Low Pressure Switch                                  | X       | X       | X       | X       | X       | X       |
| 10      | 8000-463      | Compressor ZP31K6E-PFV-130                           | X       |         |         |         |         |         |
| 10      | 8000-464      | Compressor ZP31K6E-TF5-130                           |         | X       |         |         |         |         |
| 10      | 8000-465      | Compressor ZP31K6E-TFD-130                           |         |         | X       |         |         |         |
| 10      | 8000-478      | Compressor ZP36K6E-PFV-130                           |         |         |         | X       |         |         |
| 10      | 8000-479      | Compressor ZP36K6E-TF5-130                           |         |         |         |         | X       |         |
| 10      | 8000-480      | Compressor ZP36K6E-TFD-130                           |         |         |         |         |         | X       |
| 11      | 917-0455BX    | Outdoor Coil (Includes Distributor)                  | X       | X       | X       | X       | X       | X       |
| 11      | 917-0456BX    | Outdoor Coil - Coated (Includes Distributor)         | 0       | 0       | 0       | 0       | 0       | 0       |
| 13      | 8408-048      | Freeze Protection Thermostat                         | 0       | 0       | 0       | 0       | 0       | 0       |
| 14      | 5051-102BX    | Reheat Coil  | X       | X       | X       | X       | X       | X       |
| 14      | 5054-102BX    | Reheat Coil - Coated                                 | 0       | 0       | 0       | 0       | 0       | 0       |
| 16      | 800-0417      | Distributor Assembly - Indoor Coil                   | X       | X       | X       | X       | X       | X       |
| 18      | 5651S245      | Electronic Expansion Valve                           | X       | X       | X       | X       | X       | X       |
| 18      | 905-0771      | Electronic Expansion Valve (EEV) Assembly            | X       | X       | X       | X       | X       | X       |
| 20      | 8406-158      | Low Pressure Transducer                              | X       | X       | X       | X       | X       | X       |
| 22      | 5650-051      | Dehumidification Valve                               | X       | X       | X       | X       | X       | X       |
| 23      | 6094-003      | Drain Fitting  | X       | X       | X       | X       | X       | X       |
| 24      | 1171-035      | Wheel  | 4       | 4       | 4       | 4       | 4       | 4       |
| 25      | 1012-129      | Bolt - Shoulder                                      | 4       | 4       | 4       | 4       | 4       | 4       |
| 26      | 1012-224      | Nut - Locking  | 4       | 4       | 4       | 4       | 4       | 4       |
| 27      | 1171-063      | Door Latch   | 2       | 2       | 2       | 2       | 2       | 2       |
| 28      | 5400-005      | Door Hinge Assembly                                  | 6       | 6       | 6       | 6       | 6       | 6       |
| 29      | 7051-095      | Return Air Louvers                                   | 2       | 2       | 2       | 2       | 2       | 2       |
| 30      | 1171-070      | "U" Clip Fastener                                    | 18      | 18      | 18      | 18      | 18      | 18      |
| 31      | 8602-058      | Mixed Air Sensor                                     | 0       | 0       | 0       | 0       | 0       | 0       |
| NS      | 5651-219      | Check Valve  | 2       | 2       | 2       | 2       | 2       | 2       |
| NS      | 5451-024      | Tubing Insulation Grommet                            | 3       | 3       | 3       | 3       | 3       | 3       |
| NS      | 6031-009      | Coremax Valve Core                                   | 2       | 2       | 2       | 2       | 2       | 2       |
| NS      | 8407-003      | Stepdown Transformer 1.5Kva - with ERV               |         |         | X       |         |         | X       |
| NS      | 8407-058      | Stepdown Transformer 1 Kva                           |         |         | X       |         |         | X       |

NS – Not Shown

① – Optional on these models

X – Standard Component

0 – Optional Component





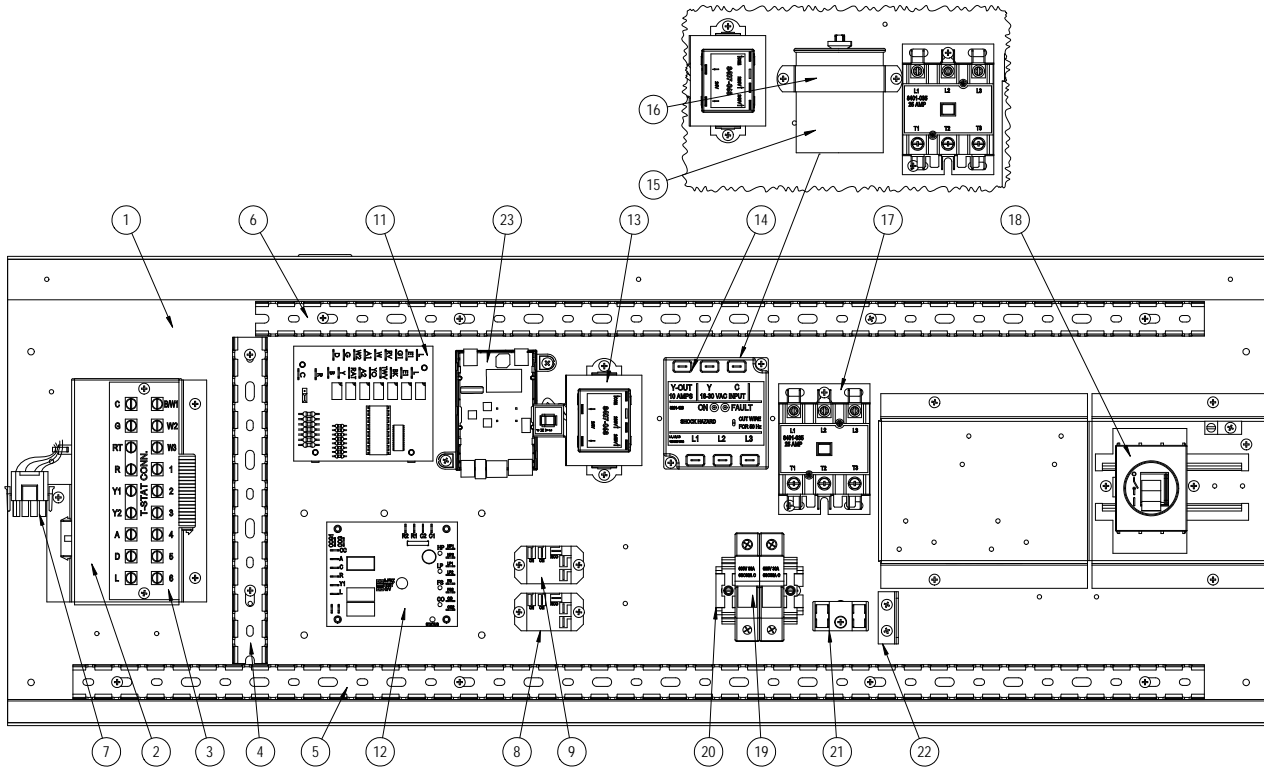
# FUNCTIONAL COMPONENTS – QH STANDARD & DEHUMIDIFICATION

| Dwg No. | Part Number   | Description  | Q43H4-A | Q43H4-B | Q43H4-C | Q43H4DA | Q43H4DB | Q43H4DC | Q48H4-A | Q48H4-B | Q48H4-C | Q48H4DA | Q48H4DB | Q48H4DC |
|---------|---------------|--|---------|---------|---------|---------|---------|---------|---------|---------|---------|---------|---------|---------|
| 1       | 7004-009      | Air Filter 1" Throw-Away (16 x 16 x 1)                 | 1       | 1       | 1       | 1       | 1       | 1       | 1       | 1       | 1       | 1       | 1       | 1       |
| 1       | 7004-010      | Air Filter 1" Throw-Away (16 x 20 x 1)                 | 1       | 1       | 1       | 1       | 1       | 1       | 1       | 1       | 1       | 1       | 1       | 1       |
| 1       | 7003-032 ①    | Air Filter 2" MERV 4 (16 x 16 x 2)                     | 1       | 1       | 1       | 1       | 1       | 1       | 1       | 1       | 1       | 1       | 1       | 1       |
| 1       | 7003-033 ①    | Air Filter 2" MERV 4 (16 x 20 x 2)                     | 1       | 1       | 1       | 1       | 1       | 1       | 1       | 1       | 1       | 1       | 1       | 1       |
| 1       | 7004-034 ①    | Air Filter 2" MERV 8 (16 x 16 x 2)                     | 1       | 1       | 1       | 1       | 1       | 1       | 1       | 1       | 1       | 1       | 1       | 1       |
| 1       | 7004-035 ①    | Air Filter 2" MERV 8 (16 x 20 x 2)                     | 1       | 1       | 1       | 1       | 1       | 1       | 1       | 1       | 1       | 1       | 1       | 1       |
| 1       | 7004-069 ①    | Air Filter 2" MERV 13 (16 x 16 x 2)                    | 1       | 1       | 1       | 1       | 1       | 1       | 1       | 1       | 1       | 1       | 1       | 1       |
| 1       | 7004-070 ①    | Air Filter 2" MERV 13 (16 x 20 x 2)                    | 1       | 1       | 1       | 1       | 1       | 1       | 1       | 1       | 1       | 1       | 1       | 1       |
| 2       | 5154-005-0215 | Blower Assembly (see page 17)                          | X       | X       | X       | X       | X       | X       |         |         |         |         |         |         |
| 2       | 5154-007-0216 | Blower Assembly (see page 17)                          | X       | X       | X       | X       | X       | X       | X       | X       | X       | X       | X       | X       |
| 3       | 917-0445BX    | Indoor Coil w/Distributor Assembly                     | X       | X       | X       |         |         |         |         |         |         |         |         |         |
| 3       | 917-0446BX    | Indoor Coil - Coated w/Distributor Assembly            | O       | O       | O       |         |         |         |         |         |         |         |         |         |
| 3       | 917-0447BX    | Indoor Coil w/Distributor Assembly                     |         |         |         |         |         |         | X       | X       | X       |         |         |         |
| 3       | 917-0448BX    | Indoor Coil - Coated w/Distributor Assembly            |         |         |         |         |         |         | O       | O       | O       |         |         |         |
| 3       | 917-0450BX    | Indoor and Reheat Coil w/Distributor Assembly          |         |         |         | X       | X       | X       |         |         |         | X       | X       | X       |
| 3       | 917-0451BX    | Indoor and Reheat Coil - Coated w/Distributor Assembly |         |         |         | O       | O       | O       |         |         |         | O       | O       | O       |
| 4       | 8200-001      | Fan Motor Mount  | X       | X       | X       | X       | X       | X       | X       | X       | X       | X       | X       | X       |
| 5       | 8106-047-0223 | Condenser Motor  | X       | X       | X       | X       | X       | X       | X       | X       | X       | X       | X       | X       |
| 6       | 5151-055      | Fan Blade  | X       | X       | X       | X       | X       | X       | X       | X       | X       | X       | X       | X       |
| 7       | 5201-010      | Filter Drier   | X       | X       | X       | X       | X       | X       | X       | X       | X       | X       | X       | X       |
| 8       | S8406-112     | Low Ambient Control (LAC)                              | O       | O       | O       | O       | O       | O       | O       | O       | O       | O       | O       | O       |
| 9       | 8406-142      | High Pressure Switch                                   | X       | X       | X       | X       | X       | X       | X       | X       | X       | X       | X       | X       |
| 9       | 8406-135      | Low Pressure Switch                                    | X       | X       | X       | X       | X       | X       | X       | X       | X       | X       | X       | X       |
| 10      | 8000-478      | Compressor   | X       |         |         | X       |         |         |         |         |         |         |         |         |
| 10      | 8000-479      | Compressor   |         | X       |         |         | X       |         |         |         |         |         |         |         |
| 10      | 8000-480      | Compressor   |         |         | X       |         |         | X       |         |         |         |         |         |         |
| 10      | 8000-481      | Compressor   |         |         |         |         |         |         | X       |         |         |         |         |         |
| 10      | 8000-482      | Compressor   |         |         |         |         |         |         |         | X       |         |         |         |         |
| 10      | 8000-483      | Compressor   |         |         |         |         |         |         |         |         | X       |         |         | X       |
| 11      | 917-0443BX    | Outdoor Coil (Includes Distributor)                    | X       | X       | X       | X       | X       | X       | X       | X       | X       | X       | X       | X       |
| 11      | 917-0444BX    | Outdoor Coil - Coated (Includes Distributor)           | O       | O       | O       | O       | O       | O       | O       | O       | O       | O       | O       | O       |
| NS      | 5051-161      | Outdoor Coil - 8 X 36                                  |         |         |         |         |         |         | X       | X       | X       | X       | X       | X       |
| 12      | 8408-060      | Outdoor Temperature Sensor                             | O       | O       | O       | O       | O       | O       | O       | O       | O       | O       | O       | O       |
| 13      | 8408-048      | Freeze Protection Thermostat                           | O       | O       | O       | O       | O       | O       | O       | O       | O       | O       | O       | O       |
| 14      | 5051-242BX    | Reheat Coil  |         |         |         | X       | X       | X       |         |         |         | X       | X       | X       |
| 14      | 5054-242BX    | Reheat Coil - Coated                                   |         |         |         | O       | O       | O       |         |         |         | O       | O       | O       |
| 15      | 5650-040      | Reversing Valve  | X       | X       | X       | X       | X       | X       | X       | X       | X       | X       | X       | X       |
| 16      | 800-0500      | Distributor Assembly - Indoor Coil                     | X       | X       | X       |         |         |         |         |         |         |         |         |         |
| 16      | 800-0447      | Distributor Assembly - Indoor Coil                     |         |         |         |         |         |         | X       | X       | X       |         |         |         |
| 16      | 800-0417      | Distributor Assembly - Indoor Coil                     |         |         |         | X       | X       | X       |         |         |         | X       | X       | X       |
| 17      | 800-0433      | Distributor Assembly - Outdoor Coil                    | X       | X       | X       | X       | X       | X       | X       | X       | X       | X       | X       | X       |
| 18      | 5651S245      | Electronic Expansion Valve                             |         |         |         | X       | X       | X       |         |         |         | X       | X       | X       |
| 18      | 905-0771      | Electronic Expansion Valve (EEV) Assembly              |         |         |         | X       | X       | X       |         |         |         | X       | X       | X       |
| 19      | 8408-045      | Defrost Thermistor                                     | X       | X       | X       | X       | X       | X       | X       | X       | X       | X       | X       | X       |
| 20      | 8406-158      | Low Pressure Transducer                                |         |         |         | X       | X       | X       |         |         |         | X       | X       | X       |
| 21      | 5651-184      | Heating Expansion Valve                                | X       | X       | X       |         |         |         | X       | X       | X       |         |         |         |
| 22      | 5650-051      | Dehumidification Valve                                 |         |         |         | X       | X       | X       |         |         |         | X       | X       | X       |
| 23      | 6094-003      | Drain Fitting  | X       | X       | X       | X       | X       | X       | X       | X       | X       | X       | X       | X       |
| 24      | 1171-035      | Wheel  | 4       | 4       | 4       | 4       | 4       | 4       | 4       | 4       | 4       | 4       | 4       | 4       |
| 25      | 1012-129      | Bolt - Shoulder  | 4       | 4       | 4       | 4       | 4       | 4       | 4       | 4       | 4       | 4       | 4       | 4       |
| 26      | 1012-224      | Nut - Locking  | 2       | 2       | 2       | 2       | 2       | 2       | 2       | 2       | 2       | 2       | 2       | 2       |
| 27      | 1171-063      | Door Latch   | 2       | 2       | 2       | 2       | 2       | 2       | 2       | 2       | 2       | 2       | 2       | 2       |
| 28      | 5400-005      | Door Hinge Assembly                                    | 6       | 6       | 6       | 6       | 6       | 6       | 6       | 6       | 6       | 6       | 6       | 6       |
| 29      | 7051-096      | Return Air Louvers                                     | 2       | 2       | 2       | 2       | 2       | 2       | 2       | 2       | 2       | 2       | 2       | 2       |
| 30      | 1171-070      | "U" Clip Fastener                                      | 18      | 18      | 18      | 18      | 18      | 18      | 18      | 18      | 18      | 18      | 18      | 18      |
| 31      | 8602-058      | Mixed Air Sensor                                       | O       | O       | O       | O       | O       | O       | O       | O       | O       | O       | O       | O       |
| NS      | 5651-219      | Check Valve  |         |         |         | 2       | 2       | 2       |         |         |         | 2       | 2       | 2       |
| NS      | 5451-024      | Tubing Insulation Grommet                              | 3       | 3       | 3       | 3       | 3       | 3       | 3       | 3       | 3       | 3       | 3       | 3       |
| NS      | 6061-009      | Coremax Valve Core                                     | 2       | 2       | 2       | 2       | 2       | 2       | 2       | 2       | 2       | 2       | 2       | 2       |
| NS      | 8407-003      | Stepdown Transformer 1.5Kva - with ERV                 |         |         | X       |         |         | X       |         |         | X       |         |         | X       |
| NS      | 8407-058      | Stepdown Transformer 1 Kva                             |         |         | X       |         |         | X       |         |         | X       |         |         | X       |

NS – Not Shown  
 ① – Optional on these models

X – Standard Component  
 O – Optional Component

# CONTROL PANEL COMPONENTS – QA DEHUMIDIFICATION



SEXP-1054

## CONTROL PANEL COMPONENTS – QA DEHUMIDIFICATION

| Dwg No. | Part Number   | Description                                    | Q36A4DA | Q36A4DB | Q36A4DC | Q42A4DA | Q42A4DB | Q42A4DC |
|---------|---------------|--|---------|---------|---------|---------|---------|---------|
| 1       | 517-422       | Control Panel (sheet metal only)               | X       | X       | X       | X       | X       | X       |
| 2       | 117-424       | Low Voltage Box                                | X       | X       | X       | X       | X       | X       |
| 3       | 8607-063      | Low Voltage Strip                              | X       | X       | X       | X       | X       | X       |
| 4       | 8611-140-0903 | Cable Duct - 9 3/16"                           | X       | X       | X       | X       | X       | X       |
| 5       | 8611-140-3200 | Cable Duct - 32"                               | X       | X       | X       | X       | X       | X       |
| 6       | 8611-140-2704 | Cable Duct - 27 1/4"                           | X       | X       | X       | X       | X       | X       |
| 7       | 3000-1524     | Vent Jumper Plug (used when no vent installed) | X       | X       | X       | X       | X       | X       |
| 8       | 8201-130      | EVD Control Relay                              | X       | X       | X       | X       | X       | X       |
| 9       | 8201-130      | Dehum Control Relay Relay                      | X       | X       | X       | X       | X       | X       |
| 11      | S8201-113     | Dehumidification Logic Board                   | X       | X       | X       | X       | X       | X       |
| 12      | 8620-140      | Compressor Logic Board                         | X       | X       | X       | X       | X       | X       |
| 13      | 8407-069      | Transformer                                    | X       | X       | X       | X       | X       | X       |
| 14      | S8201-126     | Phase Monitor ①                                |         | X       | X       |         | X       | X       |
| 15      | 8552-043      | Compressor Capacitor                           | X       |         |         | X       |         |         |
| 16      | 8550-008      | Capacitor Strap                                | X       |         |         | X       |         |         |
| 17      | 8401-034      | Compressor Contactor                           | X       |         |         | X       |         |         |
| 17      | 8401-035      | Compressor Contactor                           |         | X       | X       |         | X       | X       |
| 18      | 8615-051      | Circuit Breaker 25A 3 Pole ②                   |         | X       |         |         | X       |         |
| 18      | 8615-055      | Circuit Breaker 40A 2 Pole ②                   | X       |         |         | X       |         |         |
| 18      | S8615-095     | Toggle Disconnect                              |         |         | X       |         |         | X       |
| 19      | 8615-058      | Fuse Block                                     |         |         | X       |         |         | X       |
| 20      | 8611-210      | Din Rail 2-1/2"                                |         |         | X       |         |         | X       |
| 21      | 8607-017      | Terminal Block                                 |         |         | X       |         |         | X       |
| 22      | 141-188       | Heater Plug Bracket                            | X       | X       | X       | X       | X       | X       |
| 23      | 8301-079-0003 | EVD Control Board (Programmed )                | X       | X       | X       | X       | X       | X       |
| NS      | 3000-1145     | Blower Power Plug                              | X       | X       | X       | X       | X       | X       |
| NS      | 3000-1337     | Compressor Wire Harness                        | X       |         |         | X       |         |         |
| NS      | 3000-1338     | Compressor Wire Harness                        |         | X       | X       |         | X       | X       |
| NS      | 3003-094      | Control Panel Wire Harness                     | X       |         |         | X       |         |         |
| NS      | 3003-095      | Control Panel Wire Harness                     |         | X       |         |         | X       |         |
| NS      | 3003-096      | Control Panel Wire Harness                     |         |         | X       |         |         | X       |
| NS      | 3003-1694     | Upper Low Voltage Wire Harness                 | X       | X       | X       | X       | X       | X       |
| NS      | 8614-046      | 5A Class CC Fuse - with ERV installed ③        |         |         | 2       |         |         | 2       |
| NS      | 8614-047      | 3.2A Class CC Fuse                             |         |         | 2       |         |         | 2       |
| NS      | 4107-106      | Wiring Diagram                                 | X       |         |         | X       |         |         |
| NS      | 4107-206      | Wiring Diagram                                 |         | X       |         |         | X       |         |
| NS      | 4107-306      | Wiring Diagram                                 |         |         | X       |         |         | X       |

NS = Not Shown

X – Standard Component

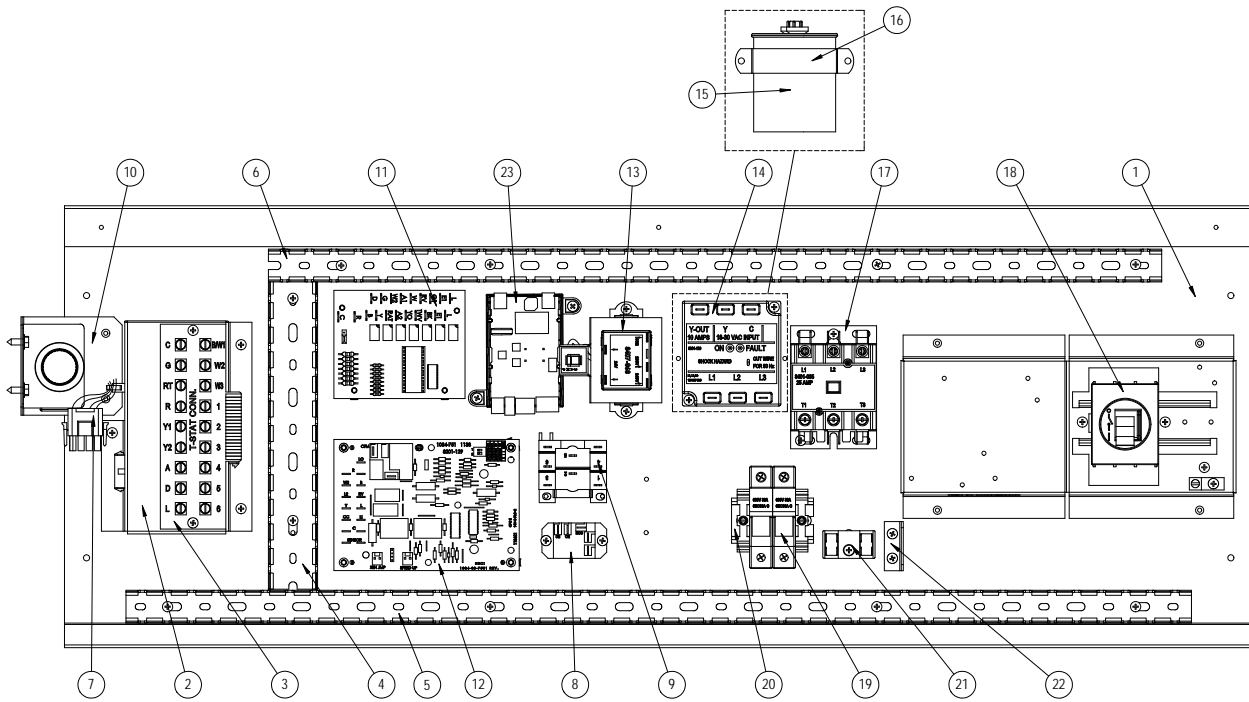
① Only used for three phase units; single phase models use capacitors.

O – Optional Component

② Circuit breakers listed are for units without electric heat, "OZ" models. See heater replacement parts manual for units with electric heat.

③ Q\*\*A4DC models will have two (2) of the same fuse installed; part number is determined by the vent package installed.

# CONTROL PANEL COMPONENTS – QH STANDARD & DEHUMIDIFICATION



SEXP-1024

# CONTROL PANEL COMPONENTS – QH STANDARD & DEHUMIDIFICATION

| Dwg No. | Part Number   | Description                                    | Q24H4-A | Q24H4-B | Q24H4-C | Q24H4DA | Q24H4DB | Q24H4DC | Q30H4-A | Q30H4-B | Q30H4-C | Q30H4DA | Q30H4DB | Q30H4DC | Q36H4-A | Q36H4-B | Q36H4-C | Q36H4DA | Q36H4DB | Q36H4DC |
|---------|---------------|--|---------|---------|---------|---------|---------|---------|---------|---------|---------|---------|---------|---------|---------|---------|---------|---------|---------|---------|
| 1       | 517-422       | Control Panel (sheet metal only)               | X       | X       | X       | X       | X       | X       | X       | X       | X       | X       | X       | X       | X       | X       | X       | X       | X       | X       |
| 2       | 117-424       | Low Voltage Box                                | X       | X       | X       | X       | X       | X       | X       | X       | X       | X       | X       | X       | X       | X       | X       | X       | X       | X       |
| 3       | 8607-063      | Low Voltage Strip                              | X       | X       | X       | X       | X       | X       | X       | X       | X       | X       | X       | X       | X       | X       | X       | X       | X       | X       |
| 4       | 8611-140-0903 | Cable Duct - 9 3/16"                           | X       | X       | X       | X       | X       | X       | X       | X       | X       | X       | X       | X       | X       | X       | X       | X       | X       | X       |
| 5       | 8611-140-3200 | Cable Duct - 32"                               | X       | X       | X       | X       | X       | X       | X       | X       | X       | X       | X       | X       | X       | X       | X       | X       | X       | X       |
| 6       | 8611-140-2704 | Cable Duct - 27 1/4"                           | X       | X       | X       | X       | X       | X       | X       | X       | X       | X       | X       | X       | X       | X       | X       | X       | X       | X       |
| 7       | 3000-1524     | Vent Jumper Plug (used when no vent installed) | X       | X       | X       | X       | X       | X       | X       | X       | X       | X       | X       | X       | X       | X       | X       | X       | X       | X       |
| 8       | 8201-130      | Blower Speed Relay                             | X       | X       | X       | X       | X       | X       | X       | X       | X       | X       | X       | X       | X       | X       | X       | X       | X       | X       |
| 9       | 8201-086      | OD T-Stat/LAC Relay                            | O       | O       | O       | O       | O       | O       | O       | O       | O       | O       | O       | O       | O       | O       | O       | O       | O       | O       |
| 10      | 8408-028      | Outdoor Thermostat                             | O       | O       | O       | O       | O       | O       | O       | O       | O       | O       | O       | O       | O       | O       | O       | O       | O       | O       |
| 11      | S8201-113     | Dehumidification Logic Board                   |         |         |         | X       | X       | X       |         |         |         | X       | X       | X       |         |         |         | X       | X       | X       |
| 12      | 8620-223      | Defrost Logic Control Board w/Sensor           | X       | X       | X       | X       | X       | X       | X       | X       | X       | X       | X       | X       | X       | X       | X       | X       | X       | X       |
| 13      | 8407-069      | Transformer                                    | X       | X       | X       | X       | X       | X       | X       | X       | X       | X       | X       | X       | X       | X       | X       | X       | X       | X       |
| 14      | S8201-126     | Phase Monitor ①                                |         | X       | X       |         | X       | X       |         | X       | X       |         | X       | X       |         | X       | X       |         | X       | X       |
| 15      | 8552-086      | Compressor Capacitor                           | X       |         |         | X       |         |         | X       |         |         | X       |         |         |         |         |         |         |         |         |
| 15      | 8552-043      | Compressor Capacitor                           |         |         |         |         |         |         |         |         |         |         |         | X       |         |         |         | X       |         |         |
| 16      | 8550-006      | Capacitor Strap                                | X       |         |         | X       |         |         | X       |         |         | X       |         |         |         |         |         |         |         |         |
| 16      | 8550-008      | Capacitor Strap                                |         |         |         |         |         |         |         |         |         |         |         | X       |         |         |         | X       |         |         |
| 17      | 8401-034      | Compressor Contactor                           | X       |         |         | X       |         |         | X       |         |         | X       |         |         | X       |         |         | X       |         |         |
| 17      | 8401-035      | Compressor Contactor                           |         | X       | X       |         | X       | X       |         | X       | X       |         | X       | X       |         | X       | X       |         | X       | X       |
| 18      | 8615-038      | Circuit Breaker 35A 2 Pole ②                   |         |         |         |         |         |         |         |         |         | X       |         |         |         |         |         |         |         |         |
| 18      | 8615-039      | Circuit Breaker 45A 2 Pole ②                   | X       |         |         | X       |         |         | X       |         |         |         |         |         |         |         |         |         |         |         |
| 18      | 8615-051      | Circuit Breaker 25A 3 Pole ②                   |         |         |         |         |         |         | X       |         |         |         | X       |         |         |         |         |         |         |         |
| 18      | 8615-054      | Circuit Breaker 20A 3 Pole ②                   |         | X       |         |         | X       |         |         |         |         |         |         |         |         |         |         |         |         |         |
| 18      | 8615-055      | Circuit Breaker 40A 2 Pole ②                   |         |         |         |         |         |         |         |         |         |         |         |         | X       |         |         | X       |         |         |
| 18      | 8615-083      | Circuit Breaker 30A 3 Pole ②                   |         |         |         |         |         |         |         |         |         |         |         |         | X       |         |         | X       |         |         |
| 18      | S8615-095     | Toggle Disconnect                              |         |         | X       |         |         | X       |         | X       |         |         | X       |         |         | X       |         |         | X       | X       |
| 19      | 8615-058      | Fuse Block                                     |         |         | X       |         |         | X       |         | X       |         |         | X       |         |         | X       |         |         |         | X       |
| 20      | 8611-210      | Din Rail 2-1/2"                                |         |         | X       |         |         | X       |         | X       |         |         | X       |         |         | X       |         |         |         | X       |
| 21      | 8607-017      | Terminal Block                                 |         |         | X       |         |         | X       |         | X       |         |         | X       |         |         | X       |         |         |         | X       |
| 22      | 141-188       | Heater Plug Bracket                            | X       | X       | X       | X       | X       | X       | X       | X       | X       | X       | X       | X       | X       | X       | X       | X       | X       | X       |
| 23      | 8301-079-0003 | EVD Control Board (Programmed )                |         |         |         | X       | X       | X       |         |         |         | X       | X       | X       |         |         |         | X       | X       | X       |
| NS      | 3000-1145     | Blower Power Plug                              | X       | X       | X       | X       | X       | X       | X       | X       | X       | X       | X       | X       | X       | X       | X       | X       | X       | X       |
| NS      | 3000-1337     | Compressor Wire Harness                        | X       |         |         | X       |         |         | X       |         |         | X       |         |         | X       |         |         | X       |         |         |
| NS      | 3000-1338     | Compressor Wire Harness                        |         | X       | X       |         | X       | X       |         | X       | X       |         | X       | X       |         | X       | X       |         | X       | X       |
| NS      | 3003-083      | Control Panel Wire Harness                     |         |         |         | X       |         |         |         |         |         | X       |         |         |         |         |         | X       |         |         |
| NS      | 3003-084      | Control Panel Wire Harness                     |         |         |         |         | X       |         |         |         |         |         | X       |         |         |         |         |         | X       |         |
| NS      | 3003-085      | Control Panel Wire Harness                     |         |         |         |         |         | X       |         |         |         |         |         | X       |         |         |         |         |         | X       |
| NS      | 3003-086      | Control Panel Wire Harness                     | X       |         |         |         |         |         | X       |         |         |         |         |         | X       |         |         |         |         |         |
| NS      | 3003-087      | Control Panel Wire Harness                     |         | X       |         |         |         |         |         | X       |         |         |         |         |         | X       |         |         |         |         |
| NS      | 3003-088      | Control Panel Wire Harness                     |         |         | X       |         |         |         |         |         | X       |         |         |         |         |         | X       |         |         |         |
| NS      | 3003-1694     | Upper Low Voltage Wire Harness                 | X       | X       | X       | X       | X       | X       | X       | X       | X       | X       | X       | X       | X       | X       | X       | X       | X       | X       |
| NS      | 8614-046      | 5A Class CC Fuse - with ERV installed ③        |         |         | 2       |         |         | 2       |         | 2       |         |         | 2       |         |         | 2       |         |         | 2       | 2       |
| NS      | 8614-047      | 3.2A Class CC Fuse                             |         |         | 2       |         |         | 2       |         | 2       |         |         | 2       |         |         | 2       |         |         | 2       | 2       |
| NS      | 4096-126      | Wiring Diagram                                 | X       |         |         |         |         |         | X       |         |         |         |         |         | X       |         |         |         |         |         |
| NS      | 4096-226      | Wiring Diagram                                 |         | X       |         |         |         |         |         | X       |         |         |         |         |         | X       |         |         |         |         |
| NS      | 4096-326      | Wiring Diagram                                 |         |         | X       |         |         |         |         |         | X       |         |         |         |         |         | X       |         |         |         |
| NS      | 4096-127      | Wiring Diagram                                 |         |         |         | X       |         |         |         |         | X       |         |         |         |         |         |         | X       |         |         |
| NS      | 4096-227      | Wiring Diagram                                 |         |         |         |         | X       |         |         |         |         | X       |         |         |         |         |         |         | X       |         |
| NS      | 4096-327      | Wiring Diagram                                 |         |         |         |         |         | X       |         |         |         |         | X       |         |         |         |         |         |         | X       |

NS = Not Shown

X – Standard Component

① Only used for three phase units; single phase models use capacitors.

O – Optional Component

② Circuit breakers listed are for units without electric heat, "0Z" models. See heater replacement parts manual for units with electric heat.

③ Q\*\*H4-C models will have two (2) of the same fuse installed; part number is determined by the vent package installed.

# CONTROL PANEL COMPONENTS – QH STANDARD & DEHUMIDIFICATION

| Dwg No. | Part Number   | Description                                       | Q43H4-A | Q43H4-B | Q43H4-C | Q43H4DA | Q43H4DB | Q43H4DC | Q48H4-A | Q48H4-B | Q48H4-C | Q48H4DA | Q48H4DB | Q48H4DC |
|---------|---------------|---|---------|---------|---------|---------|---------|---------|---------|---------|---------|---------|---------|---------|
| 1       | 517-429       | Control Panel (sheet metal only)                  | X       | X       | X       | X       | X       | X       | X       | X       | X       | X       | X       | X       |
| 2       | 117-424       | Low Voltage Box                                   | X       | X       | X       | X       | X       | X       | X       | X       | X       | X       | X       | X       |
| 3       | 8607-063      | Low Voltage Strip                                 | X       | X       | X       | X       | X       | X       | X       | X       | X       | X       | X       | X       |
| 4       | 8611-140-0903 | Cable Duct - 9 3/16"                              | X       | X       | X       | X       | X       | X       | X       | X       | X       | X       | X       | X       |
| 5       | 8611-140-3200 | Cable Duct - 32"                                  | X       | X       | X       | X       | X       | X       | X       | X       | X       | X       | X       | X       |
| 6       | 8611-140-2704 | Cable Duct - 27 1/4"                              | X       | X       | X       | X       | X       | X       | X       | X       | X       | X       | X       | X       |
| 7       | 3000-1524     | Vent Jumper Plug (used when no vent is installed) | X       | X       | X       | X       | X       | X       | X       | X       | X       | X       | X       | X       |
| 8       | 8201-130      | Blower Speed Relay                                | X       | X       | X       | X       | X       | X       | X       | X       | X       | X       | X       | X       |
| 9       | 8201-086      | OD T-Stat/LAC Relay                               | O       | O       | O       | O       | O       | O       | O       | O       | O       | O       | O       | O       |
| 10      | 8408-028      | Outdoor Thermostat                                | O       | O       | O       | O       | O       | O       | O       | O       | O       | O       | O       | O       |
| 11      | S8201-113     | Dehumidification Logic Board                      |         |         |         | X       | X       | X       |         |         |         | X       | X       | X       |
| 12      | 8620-223      | Defrost Logic Control Board w/Sensor              | X       | X       | X       | X       | X       | X       | X       | X       | X       | X       | X       | X       |
| 13      | 8407-069      | Transformer                                       | X       | X       | X       | X       | X       | X       | X       | X       | X       | X       | X       | X       |
| 14      | S8201-126     | Phase Monitor ①                                   |         | X       | X       |         | X       | X       |         | X       | X       |         | X       | X       |
| 15      | 8552-043      | Compressor Capacitor                              | X       |         |         | X       |         |         |         |         |         |         |         |         |
| 15      | 8552-081      | Compressor Capacitor                              |         |         |         |         |         |         | X       |         |         | X       |         |         |
| 16      | 8550-008      | Capacitor Strap                                   | X       |         |         | X       |         |         | X       |         |         | X       |         |         |
| 17      | 8401-034      | Compressor Contactor                              | X       |         |         | X       |         |         | X       |         |         | X       |         |         |
| 17      | 8401-035      | Compressor Contactor                              |         | X       | X       |         | X       | X       |         | X       | X       |         | X       | X       |
| 18      | 8615-055      | Circuit Breaker 40A 2 Pole ②                      | X       |         |         | X       |         |         | X       |         |         | X       |         |         |
| 18      | 8615-052      | Circuit Breaker 30A 3 Pole ②                      |         | X       |         |         | X       |         |         | X       |         |         | X       |         |
| 18      | S8615-095     | Toggle Disconnect                                 |         |         | X       |         |         | X       |         |         | X       |         |         | X       |
| 19      | 8615-058      | Fuse Block  |         |         | X       |         |         | X       |         |         | X       |         |         | X       |
| 20      | 8611-210      | Din Rail 2-1/2"                                   |         |         | X       |         |         | X       |         |         | X       |         |         | X       |
| 21      | 8607-017      | Terminal Block                                    |         |         | X       |         |         | X       |         |         | X       |         |         | X       |
| 22      | 141-188       | Heater Plug Bracket                               | X       | X       | X       | X       | X       | X       | X       | X       | X       | X       | X       | X       |
| 23      | 8301-079-0003 | EVD Control Board (Programmed )                   |         |         |         | X       | X       | X       |         |         |         | X       | X       | X       |
| NS      | 3000-1145     | Blower Power Plug                                 | X       | X       | X       | X       | X       | X       | X       | X       | X       | X       | X       | X       |
| NS      | 3000-1337     | Compressor Wire Harness                           | X       |         |         | X       |         |         | X       |         |         | X       |         |         |
| NS      | 3000-1338     | Compressor Wire Harness                           |         | X       | X       |         | X       | X       |         | X       | X       |         | X       | X       |
| NS      | 3003-083      | Control Panel Wire Harness                        |         |         |         | X       |         |         |         |         |         | X       |         |         |
| NS      | 3003-084      | Control Panel Wire Harness                        |         |         |         |         | X       |         |         |         |         |         | X       |         |
| NS      | 3003-085      | Control Panel Wire Harness                        |         |         |         |         |         | X       |         |         |         |         |         | X       |
| NS      | 3003-086      | Control Panel Wire Harness                        | X       |         |         |         |         |         | X       |         |         |         |         |         |
| NS      | 3003-087      | Control Panel Wire Harness                        |         | X       |         |         |         |         |         | X       |         |         |         |         |
| NS      | 3003-088      | Control Panel Wire Harness                        |         |         | X       |         |         |         |         |         | X       |         |         |         |
| NS      | 3003-1694     | Upper Low Voltage Wire Harness                    | X       | X       | X       | X       | X       | X       | X       | X       | X       | X       | X       | X       |
| NS      | 8614-046      | 5A Class CC Fuse - with ERV installed ③           |         |         | 2       |         |         | 2       |         |         | 2       |         |         | 2       |
| NS      | 8614-047      | 3.2A Class CC Fuse                                |         |         | 2       |         |         | 2       |         |         | 2       |         |         | 2       |
| NS      | 4096-126      | Wiring Diagram                                    | X       |         |         |         |         |         | X       |         |         |         |         |         |
| NS      | 4096-226      | Wiring Diagram                                    |         | X       |         |         |         |         |         | X       |         |         |         |         |
| NS      | 4096-326      | Wiring Diagram                                    |         |         | X       |         |         |         |         |         | X       |         |         |         |
| NS      | 4096-127      | Wiring Diagram                                    |         |         |         | X       |         |         |         |         |         | X       |         |         |
| NS      | 4096-227      | Wiring Diagram                                    |         |         |         |         | X       |         |         |         |         |         | X       |         |
| NS      | 4096-327      | Wiring Diagram                                    |         |         |         |         |         | X       |         |         |         |         |         | X       |

NS = Not Shown

X – Standard Component

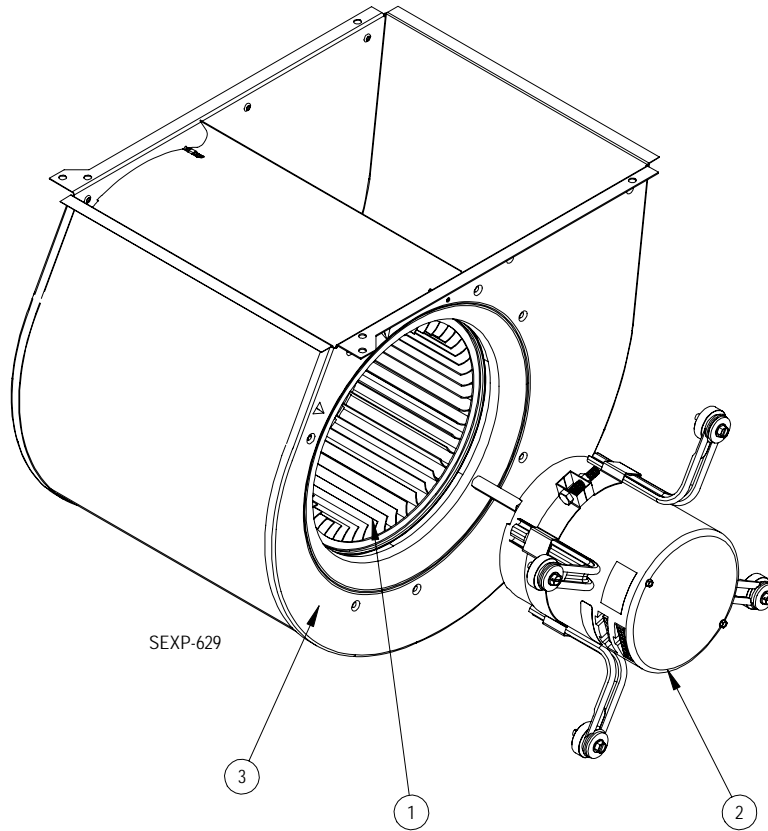
① Only used for three phase units; single phase models use capacitors.

O – Optional Component

② Circuit breakers listed are for units without electric heat, "OZ" models. See heater replacement parts manual for units with electric heat.

*This page intentionally left blank*

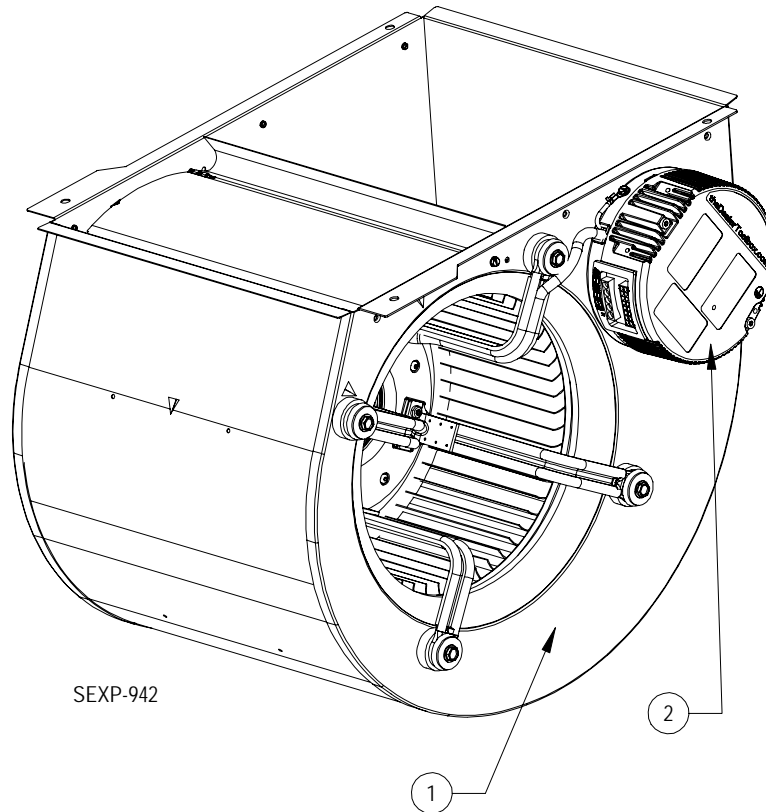
# BLOWER ASSEMBLY COMPONENTS – Q24/30\*4



| Dwg No. | Part Number    | Description                     | 5154-002-0211 | 5154-002-0212 |
|---------|----------------|---------------------------------|---------------|---------------|
| 1       | 5152-049       | Blower Wheel                    | X             | X             |
| 2       | S8105-059-0211 | 1/3 HP Programmed Motor         | X             |               |
| 2       | S8105-059-0212 | 1/3 HP Programmed Motor         |               | X             |
| 3       | 151-122        | Housing                         | X             | X             |
| NS      | C8105-059-0211 | 1/3 HP Control Only Replacement | X             |               |
| NS      | C8105-059-0212 | 1/3 HP Control Only Replacement |               | X             |



# BLOWER ASSEMBLY COMPONENTS – Q36/42/43/48\*4



| Dwg No. | Part Number    | Description              | 5154-005-0210 | 5154-005-0215 | 5154-007-0216 | 5154-005-0228 |
|---------|----------------|--------------------------|---------------|---------------|---------------|---------------|
| 1       | 5154-005-0210  | Complete Blower Assembly | X             |               |               |               |
| 1       | 5154-005-0215  | Complete Blower Assembly |               | X             |               |               |
| 1       | 5154-007-0216  | Complete Blower Assembly |               |               | X             |               |
| 2       | C5154-005-0210 | 1/2 HP Programmed Motor  | X             |               |               |               |
| 2       | C5154-005-0215 | 1/2 HP Programmed Motor  |               | X             |               |               |
| 2       | C5154-007-0216 | 3/4 HP Programmed Motor  |               |               | X             |               |
| 2       | C5154-005-0228 | 1/2 HP Programmed Motor  |               |               |               | X             |