

REPLACEMENT PARTS MANUAL

11EER Q-TEC™ Series

Models:

		Q36A4DA	Q42A4DA	Q48A4DA
		Q36A4DB	Q42A4DB	Q48A4DB
		Q36A4DC	Q42A4DC	Q48A4DC
Q24H4-A	Q30H4-A	Q36H4-A	Q43H4-A	Q48H4-A
Q24H4-B	Q30H4-B	Q36H4-B	Q43H4-B	Q48H4-B
Q24H4-C	Q30H4-C	Q36H4-C	Q43H4-C	Q48H4-C
Q24H4DA	Q30H4DA	Q36H4DA	Q43H4DA	Q48H4DA
Q24H4DB	Q30H4DB	Q36H4DB	Q43H4DB	Q48H4DB
Q24H4DC	Q30H4DC	Q36H4DC	Q43H4DC	Q48H4DC

Contents

Description	Page	Description	Page
External Components – Standard & Dehum.		Blower Assembly Components – Q36/42/43/48*4	
♦ Exploded View	2	♦ Exploded View and Usage List	17
♦ Usage List	3	Electric Heat Components – Standard & Dehum.	
Internal Components – Standard & Dehum.		♦ Exploded View	18
♦ Exploded View	4	♦ Usage List	19
♦ Usage List	5	♦ Usage List	20
Functional Components – Standard & Dehum.		♦ Usage List	21
♦ Exploded View	6	♦ Usage List	22
♦ Usage List	7	♦ Usage List	23
♦ Usage List	8		
♦ Usage List	9		
Control Panel Components – QA Dehumidification			
♦ Layout View	10		
♦ Usage List	11		
Control Panel Components – QH Standard & Dehum.			
♦ Layout View	12		
♦ Usage List	13		
♦ Usage List	14		
Blower Assembly Components – Q24/30*4			
♦ Exploded View and Usage List	16		

General Notes

- Revised and/or additional pages may be issued from time to time.
- A complete and current manual consists of pages shown in the following contents section.

Important

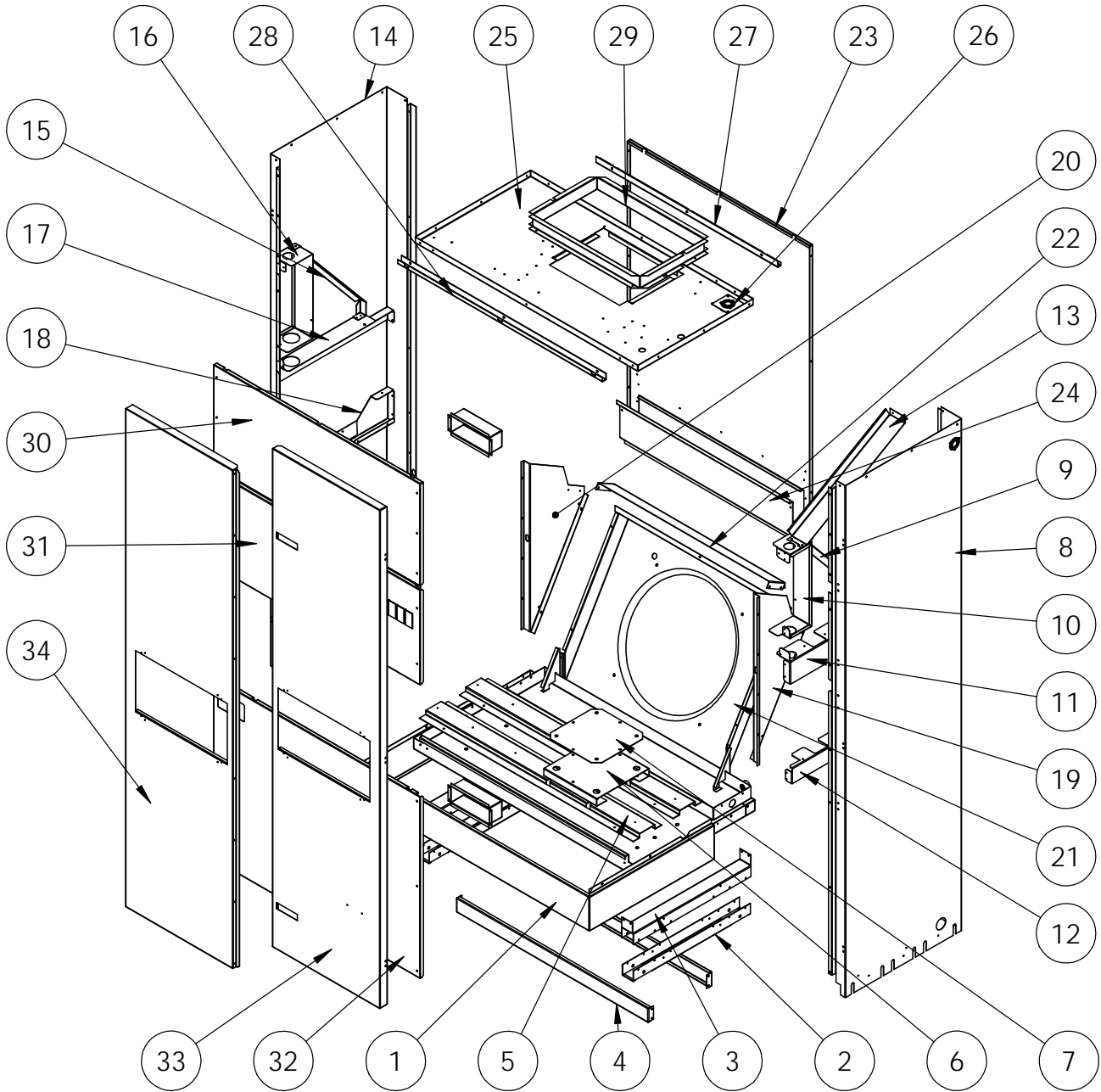
- Contact the installing and/or local Bard distributor for all parts requirements. Make sure to have the complete model and serial number available from the unit rating plates.



Bard Manufacturing Company, Inc.
Bryan, Ohio 43506
www.bardhvac.com

Manual: 2110-1568K
Supersedes: 2110-1568J
Date: 9-9-22

EXTERNAL COMPONENTS - STANDARD & DEHUMIDIFICATION



SEXP-1022

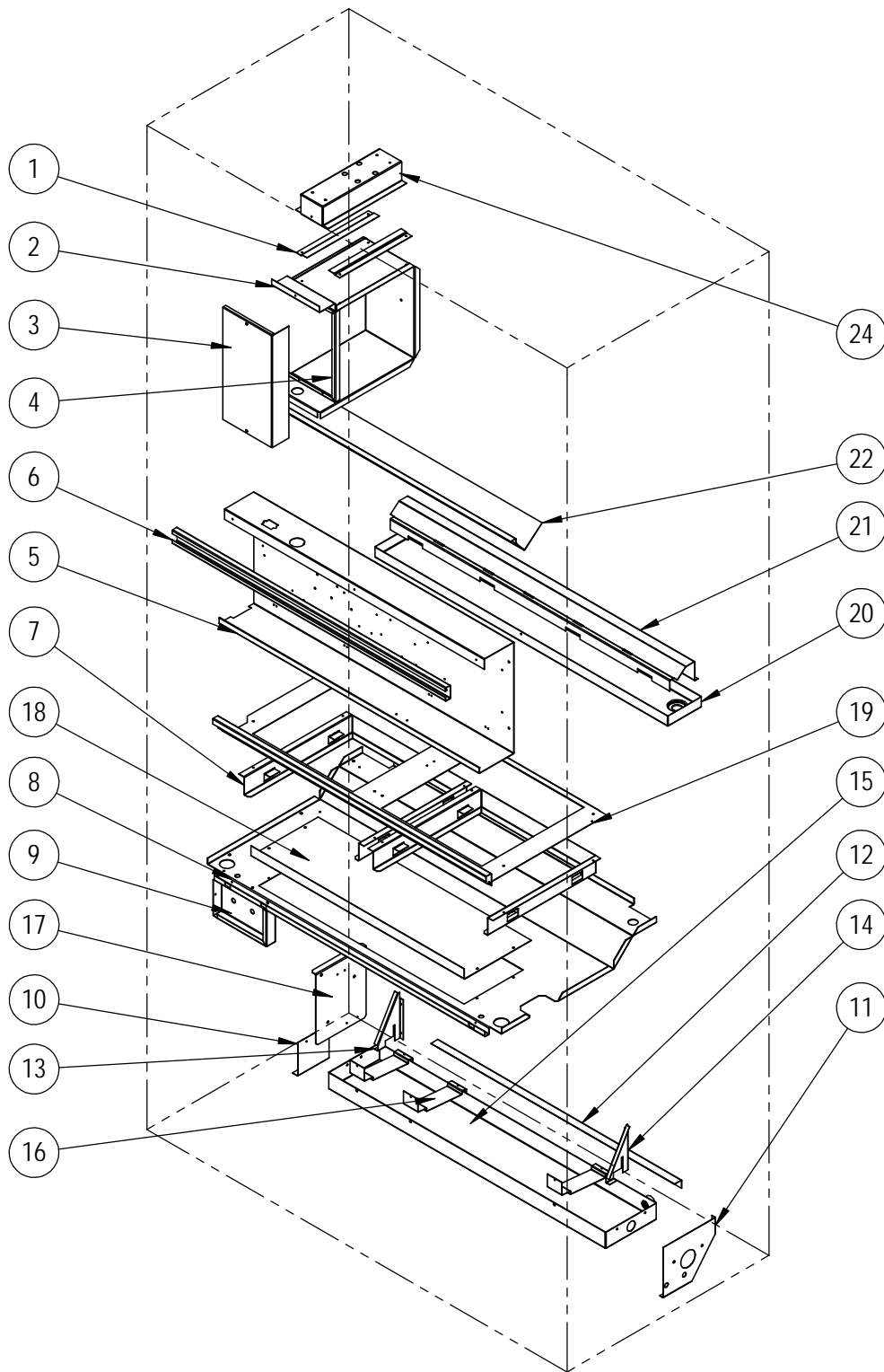
EXTERNAL COMPONENTS – STANDARD & DEHUMIDIFICATION

Dwg No.	Part Number	Description	Q24H4-A, B, C Q24H4DA, B, C	Q30H4-A, B, C Q30H4DA, B, C	Q36H4-A, B, C	Q36A4DA, B, C Q36H4DA, B, C	Q42A4DA, B, C	Q43H4-A, B, C	Q43H4DA, B, C	Q48H4-A, B, C	Q48A4DA, B, C Q48H4DA, B, C
1	135-401-6	Base Trim	X	X	X	X					
1	135-402-6	Base Trim						X	X	X	X
2	141-510	Lower Wheel Rail	2	2	2	2	2	2	2	2	2
3	141-509	Upper Wheel Rail	2	2	2	2	2	2	2	2	2
4	135-399	Base Supports/Seal Angles	2	2	2	2					
4	135-403	Base Supports/Seal Angles						2	2	2	2
5	527-588-X	Base Assembly	X	X	X	X					
5	527-595-X	Base Assembly						X	X	X	X
6	141-368	Compressor Support	X	X	X	X		X	X	X	X
7	140-369	Compressor Support Plate	X	X	X	X		X	X	X	X
8	501-1088-*	Right Side	X	X	X	X		X	X	X	X
9	146-057	Right Evaporator Support Angle	X	X	X	X		X	X	X	X
10	105-1486	Right Control Panel Mounting Bracket	X	X	X	X		X	X	X	X
11	105-1502	Right Filter Partition Mounting Angle	X	X	X	X		X	X	X	X
12	105-1483	Right Condenser Partition Angle	X	X	X	X		X	X	X	X
13	135-400	Field Wire Channel	X	X	X	X		X	X	X	X
14	501-1089-*	Left Side	X	X	X	X					
14	501-1095-*	Left Side						X	X	X	X
15	146-058	Left Evaporator Support Angle	X	X	X	X		X	X	X	X
16	105-1487	Left Control Panel Mounting Bracket	X	X	X	X		X	X	X	X
17	105-1503	Left Filter Partition Mounting Angle	X	X	X	X		X	X	X	X
18	105-1484	Left Condenser Partition Angle	X	X	X	X		X	X	X	X
19	125Y098	Condenser Right Side	X	X	X	X		X	X	X	X
20	125X098	Condenser Left Side	X	X	X	X		X	X	X	X
21	125-101	Fan Shroud	X	X	X	X					
21	125-103	Fan Shroud						X	X	X	X
22	125-100	Condenser Top Fill	X	X	X	X					
22	125-102	Condenser Top Fill						X	X	X	X
23	509-430	Back	X	X	X	X					
23	509-438	Back						X	X	X	X
24	542-054	Fresh Air Intake Blank Off Plate	0	0	0	0		0	0	0	0
25	107-393	Top	X	X	X	X					
25	107-396	Top						X	X	X	X
26	136-359	T.K.O. Plate	X	X	X	X		X	X	X	X
27	105-1481	Upper Rear Captivation Plate	X	X	X	X					
27	105-1509	Upper Rear Captivation Plate						X	X	X	X
28	105-1482	Upper Front Captivation Plate	X	X	X	X					
28	105-1510	Upper Front Captivation Plate						X	X	X	X
29	111-329	Duct Flange	2	2	2	2	2	2	2	2	2
30	553-727	Blower Access Panel Assembly	X	X	X	X					
30	553-737	Blower Access Panel Assembly						X	X	X	X
31	533-317	Control Panel Cover Assembly	X	X	X	X					
31	533-322	Control Panel Cover Assembly						X	X	X	X
32	553-728	Condenser Access Panel Assembly	X	X	X	X					
32	553-736	Condenser Access Panel Assembly						X	X	X	X
33	553-725-*	Right Door Assembly	X	X	X	X					
33	553-734-*	Right Door Assembly						X	X	X	X
34	553-726-*	Left Door Assembly	X	X	X	X					
34	553-735-*	Left Door Assembly						X	X	X	X
NS	133-336	Condenser Fill Plate	X	X	X	X					
NS	133-337	Condenser Fill Plate						X	X	X	X

* Exterior cabinet parts are manufactured with various paint color options. To ensure the proper paint color is received, include the complete model and serial number of the unit for which cabinet parts are being ordered.

X – Standard Component
O – Optional Component

INTERNAL COMPONENTS – STANDARD & DEHUMIDIFICATION



SEXP-1025

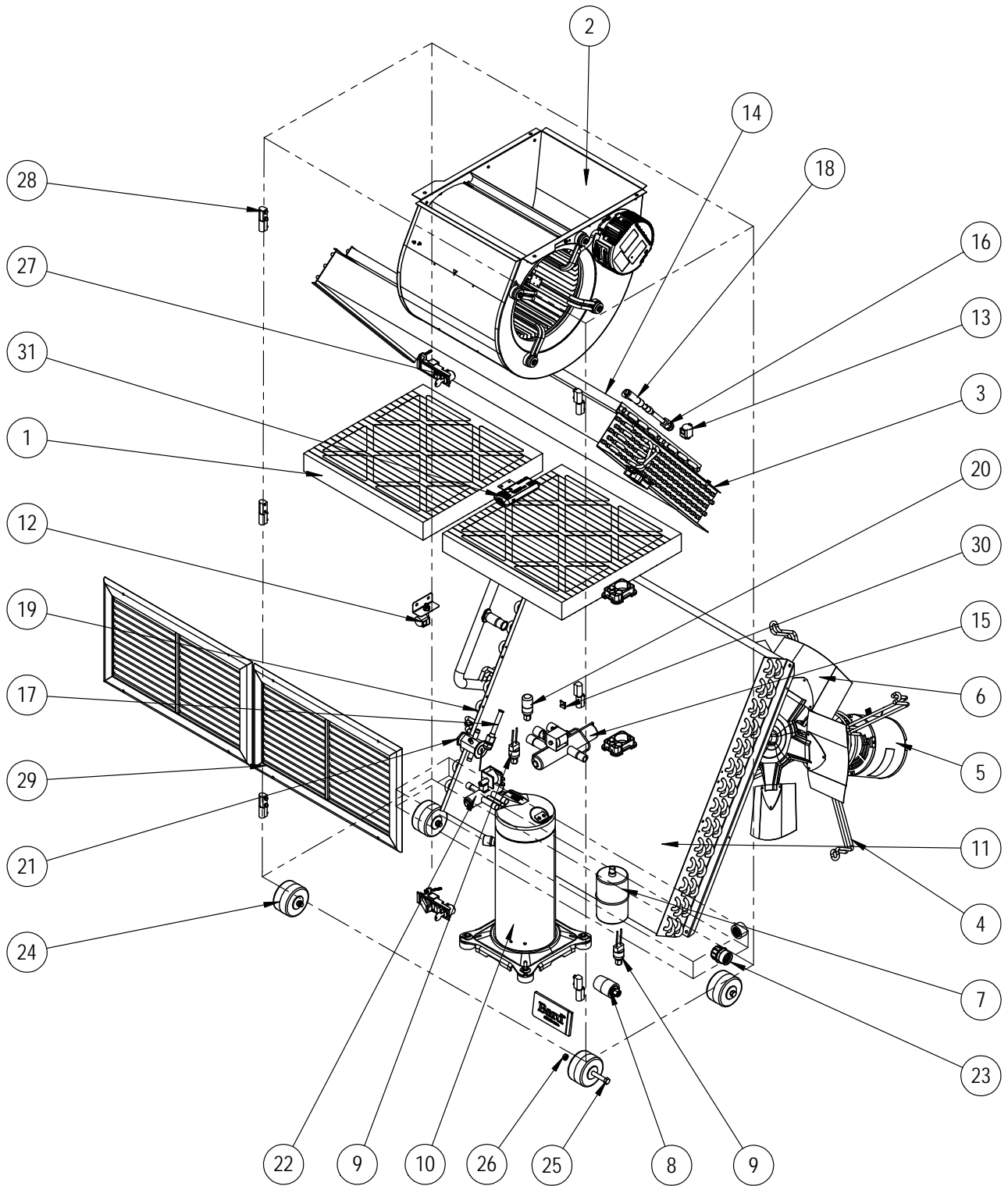
INTERNAL COMPONENTS – STANDARD & DEHUMIDIFICATION

Dwg No.	Part Number	Description	Q24H4-A, B, C Q24H4DA, B, C	Q30H4-A, B, C Q30H4DA, B, C	Q36H4-A, B, C	Q36A4DA, B, C	Q36H4DA, B, C	Q42A4DA, B, C	Q43H4-A, B, C	Q43H4DA, B, C	Q48H4-A, B, C	Q48A4DA, B, C	Q48H4DA, B, C
1	103-417	Heater Package Offsets	2	2	2	2	2	2	2	2	2	2	2
2	117-191	Heat Strip Mounting Bracket	X	X	X	X	X	X	X	X	X	X	X
3	133-321	Heater Package Cover	X	X	X	X	X	X	X	X	X	X	X
4	105-987	Heat Strip Angle	X	X	X	X	X	X	X	X	X	X	X
5	117-422	Control Panel	X	X	X	X	X	X					
5	117-429	Control Panel							X	X	X	X	X
6	165-618	Front "C" Channel	X	X	X	X	X	X					
6	165-619	Front "C" Channel							X	X	X	X	X
7	131-172	Filter Angle - 16"	2	2	2	2	2	2	X	X	X	X	X
7	131-176	Filter Angle - 20"							X	X	X	X	X
8	121-604	Condenser Partition	X	X	X	X	X	X					
8	121-611	Condenser Partition							X	X	X	X	X
9	113-824	Service Port Mounting Bracket	X	X	X	X	X	X	X	X	X	X	X
10	141-230	Left Condenser Drain Pan Bracket	X	X	X	X	X	X	X	X	X	X	X
11	141-511	Right Condenser Drain Pan Bracket	X	X	X	X	X	X	X	X	X	X	X
12	143-237	Condenser Pan Fill Angle	X	X	X	X	X	X					
12	143-240	Condenser Pan Fill Angle							X	X	X	X	X
13	131Y173	Left Condenser Fill Pan Angle	X	X	X	X	X	X	X	X	X	X	X
14	131X173	Right Condenser Fill Pan Angle	X	X	X	X	X	X	X	X	X	X	X
15	123-164	Condenser Drain Pan	X	X	X	X	X	X					
15	123-165	Condenser Drain Pan							X	X	X	X	X
16	140-513	Copper Hold Down Bracket	2	2	2		2		2	2	2		2
17	113-834	Fan Motor Control Bracket	X	X	X	X	X	X	X	X	X	X	X
18	536-351*	Exhaust Blank Off Plate	0	0	0	0	0	0	0	0	0	0	0
19	131-171	Filter Partition	X	X	X	X	X	X					
19	131-175	Filter Partition							X	X	X	X	X
20	123-163	Evaporator Drain Pan	X	X	X	X	X	X					
20	123-166	Evaporator Drain Pan							X	X	X	X	X
21	105-1476	Evaporator Coil Riser	X	X	X	X	X	X					
21	105-1508	Evaporator Coil Riser							X	X	X	X	X
22	143-235	Evaporator Top Coil Fill			X	X	X	X					
22	143-236	Evaporator Top Coil Fill	X	X									
22	143-238	Evaporator Top Coil Fill							X	X	X	X	X
24	113-850	Heater Package Mounting Bracket	X	X	X	X	X	X	X	X	X	X	X

* Unit may have alternative vent installed. Please see vent manual for part information.

X – Standard Component
O – Optional Component

FUNCTIONAL COMPONENTS – STANDARD & DEHUMIDIFICATION



SEXP-1023

This drawing to be used for reference for pages 7, 8 and 9

FUNCTIONAL COMPONENTS – QA DEHUMIDIFICATION

Dwg No.	Part Number	Description	Q36A4DA	Q36A4DB	Q36A4DC	Q42A4DA	Q42A4DB	Q42A4DC	Q48A4DA	Q48A4DB	Q48A4DC
1	7004-009	Air Filter 1" Throw-Away (16 x 16 x 1)	2	2	2	2	2	2	1	1	1
1	7004-010	Air Filter 1" Throw-Away (16 x 20 x 1)							1	1	1
1	7003-032 ①	Air Filter 2" MERV 4 (16 x 16 x 2)	2	2	2	2	2	2	1	1	1
1	7003-033 ①	Air Filter 2" MERV 4 (16 x 20 x 2)							1	1	1
1	7004-034 ①	Air Filter 2" MERV 8 (16 x 16 x 2)	2	2	2	2	2	2	1	1	1
1	7004-035 ①	Air Filter 2" MERV 8 (16 x 20 x 2)							1	1	1
1	7004-069 ①	Air Filter 2" MERV 13 (16 x 16 x 2)	2	2	2	2	2	2	1	1	1
1	7004-070 ①	Air Filter 2" MERV 13 (16 x 20 x 2)							1	1	1
2	5154-017-0228	Blower Assembly (see page 17)				X	X	X			
2	5154-017-0210	Blower Assembly (see page 17)	X	X	X						
2	5154-007-0216	Blower Assembly (see page 17)							X	X	X
3	917-0439BX	Indoor & Reheat Coil w/Distributor Assembly	X	X	X	X	X	X			
3	917-0440BX	Indoor & Reheat Coil - Coated w/Distributor Assembly	O	O	O	O	O	O			
3	917-0450BX	Indoor & Reheat Coil w/Distributor Assembly							X	X	X
3	917-0451BX	Indoor & Reheat Coil - Coated w/Distributor Assembly							O	O	O
4	8200-001	Fan Motor Mount	X	X	X	X	X	X	X	X	X
5	8106-047-0223	Condenser Motor	X	X	X	X	X	X	X	X	
5	8106-058-0234	Condenser Motor									X
6	5151-055	Fan Blade	X	X	X	X	X	X	X	X	X
7	5201-021	Filter Drier	X	X	X	X	X	X			
7	5201-022	Filter Drier							X	X	X
8	S8406-112	Low Ambient Control (LAC)	O	O	O	O	O	O	O	O	O
9	8406-142	High Pressure Switch	X	X	X	X	X	X	X	X	X
9	8406-140	Low Pressure Switch	X	X	X	X	X	X	X	X	X
10	8000-463	Compressor ZP31K6E-PFV-130	X								
10	8000-464	Compressor ZP31K6E-TF5-130		X							
10	8000-465	Compressor ZP31K6E-TFD-130			X						
10	8000-478	Compressor ZP36K6E-PFV-130				X					
10	8000-479	Compressor ZP36K6E-TF5-130					X				
10	8000-480	Compressor ZP36K6E-TFD-130						X			
10	8000-481	Compressor ZP42K6E-PFV-130							X		
10	8000-482	Compressor ZP42K6E-TF5-130								X	
10	8000-483	Compressor ZP42K6E-TFD-130									X
11	917-0455BX	Outdoor Coil (Includes Distributor)	X	X	X	X	X	X			
11	917-0456BX	Outdoor Coil - Coated (Includes Distributor)	O	O	O	O	O	O			
11	917-0458BX	Outdoor Coil (Includes Distributor)							X	X	X
11	917-0459BX	Outdoor Coil - Coated (Includes Distributor)							O	O	O
NS	5051-161	Outdoor Coil - 8 X 36							X	X	X
13	8408-048	Freeze Protection Thermostat	O	O	O	O	O	O	O	O	O
14	5051-102BX	Reheat Coil	X	X	X	X	X	X			
14	5054-102BX	Reheat Coil - Coated	O	O	O	O	O	O			
14	5051-242BX	Reheat Coil							X	X	X
14	5054-242BX	Reheat Coil - Coated							O	O	O
16	800-0417	Distributor Assembly - Indoor Coil	X	X	X	X	X	X	X	X	X
18	5651S245	Electronic Expansion Valve	X	X	X	X	X	X	X	X	X
18	905-0771	Electronic Expansion Valve (EEV) Assembly	X	X	X	X	X	X	X	X	X
20	8406-158	Low Pressure Transducer	X	X	X	X	X	X	X	X	X
22	5650-051	Dehumidification Valve	X	X	X	X	X	X	X	X	X
23	6094-003	Drain Fitting	X	X	X	X	X	X	X	X	X
24	1171-035	Wheel	4	4	4	4	4	4	4	4	4
25	1012-129	Bolt - Shoulder	4	4	4	4	4	4	4	4	4
26	1012-224	Nut - Locking	4	4	4	4	4	4	2	2	2
27	1171-063	Door Latch	2	2	2	2	2	2	2	2	2
28	5400-005	Door Hinge Assembly	6	6	6	6	6	6	6	6	6
29	7051-095	Return Air Louvers	2	2	2	2	2	2			
29	7051-096	Return Air Louvers							2	2	2
30	1171-070	"U" Clip Fastener	18	18	18	18	18	18	18	18	18
31	8602-058	Mixed Air Sensor	O	O	O	O	O	O	O	O	O
NS	5651-219	Check Valve	2	2	2	2	2	2	2	2	2
NS	5451-024	Tubing Insulation Grommet	3	3	3	3	3	3	3	3	3
NS	6031-009	Coremax Valve Core	2	2	2	2	2	2	2	2	2
NS	8407-058 ②	Stepdown Transformer 1.0 Kva									X
NS	8407-003 ②	Stepdown Transformer 1.5 Kva			X			X			X
NS	8407-004 ②	Stepdown Transformer 2.0 Kva			X			X			

NS – Not Shown

① – Optional on these models

② – Transformer size based on vent option

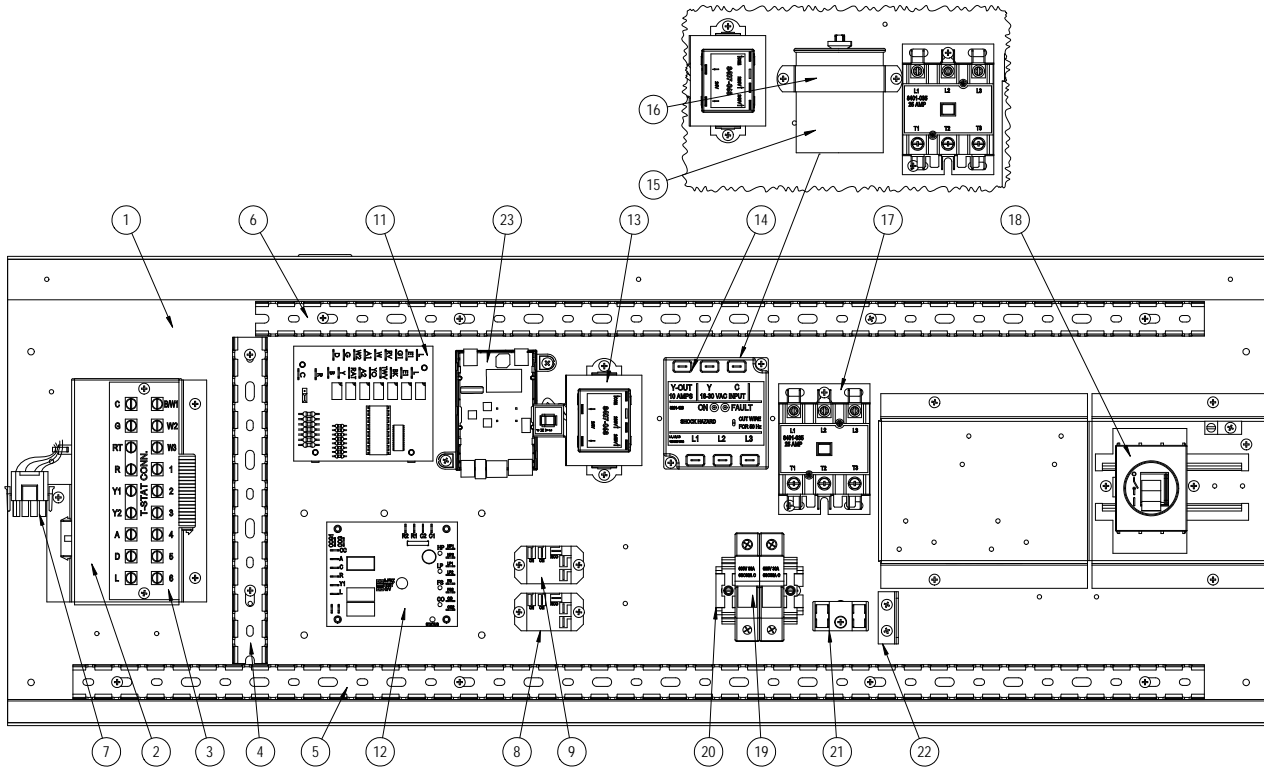
X – Standard Component

O – Optional Component

Manual 2110-1568K

Page 7 of 23

CONTROL PANEL COMPONENTS – QA DEHUMIDIFICATION



SEXP-1054

CONTROL PANEL COMPONENTS - QA DEHUMIDIFICATION

Dwg No.	Part Number	Description	Q36A4DA	Q36A4DB	Q36A4DC	Q42A4DA	Q42A4DB	Q42A4DC	Q48A4DA	Q48A4DB	Q48A4DC
1	517-422	Control Panel (sheet metal only)	X	X	X	X	X	X			
1	517-429								X	X	X
2	117-424	Low Voltage Box	X	X	X	X	X	X	X	X	X
3	8607-063	Low Voltage Strip	X	X	X	X	X	X	X	X	X
4	8611-140-0903	Cable Duct - 9 3/16"	X	X	X	X	X	X	X	X	X
5	8611-140-3200	Cable Duct - 32"	X	X	X	X	X	X	X	X	X
6	8611-140-2704	Cable Duct - 27 1/4"	X	X	X	X	X	X	X	X	X
7	3000-1524	Vent Jumper Plug (used when no vent installed)	X	X	X	X	X	X	X	X	X
8	8201-130	EVD Control Relay	X	X	X	X	X	X	X	X	X
9	8201-130	Dehum Control Relay Relay	X	X	X	X	X	X	X	X	X
11	S8201-113	Dehumidification Logic Board	X	X	X	X	X	X	X	X	X
12	8201-140	Compressor Logic Board	X	X	X	X	X	X	X	X	X
13	8407-068	Transformer	X	X		X	X		X	X	
13	8407-069	Transformer			X			X			X
14	S8201-126	Phase Monitor ①		X	X		X	X		X	X
15	8552-043	Compressor Capacitor	X			X					
15	8552-081	Compressor Capacitor							X		
16	8550-008	Capacitor Strap	X			X			X		
17	8401-034	Compressor Contactor	X			X			X		
17	8401-035	Compressor Contactor		X	X		X	X		X	X
18	8615-051	Circuit Breaker 25A 3 Pole ②		X			X				
18	8615-052	Circuit Breaker 30A 3 Pole ②								X	
18	8615-055	Circuit Breaker 40A 2 Pole ②	X			X			X		
18	S8615-095	Toggle Disconnect			X			X			X
19	8615-058	Fuse Block			X			X			X
20	8611-210	Din Rail 2-1/2"			X			X			X
21	8607-017	Terminal Block			X			X			X
22	141-188	Heater Plug Bracket	X	X	X	X	X	X	X	X	X
23	8301-079-0002	EVD Control Board (Programmed)	X	X	X	X	X	X			
23	8301-079-0003	EVD Control Board (Programmed)							X	X	X
NS	5651-246	EEV Cable and Stator	X	X	X	X	X	X	X	X	X
NS	8408-056	EEV Thermistor	X	X	X	X	X	X	X	X	X
NS	3000-1145	Blower Power Plug	X	X	X	X	X	X	X	X	X
NS	3000-1337	Compressor Wire Harness	X			X			X		
NS	3000-1338	Compressor Wire Harness		X	X		X	X		X	X
NS	3003-094	Control Panel Wire Harness	X			X			X		
NS	3003-095	Control Panel Wire Harness		X			X			X	
NS	3003-096	Control Panel Wire Harness			X			X			X
NS	3003-1694	Upper Low Voltage Wire Harness	X	X	X	X	X	X	X	X	X
NS	8614-042	7A Class CC Fuse ③			2			2			
NS	8614-046	5A Class CC Fuse ③			2			2			2
NS	8614-047	3.2A Class CC Fuse ③									2
NS	4107-106	Wiring Diagram	X			X			X		
NS	4107-206	Wiring Diagram		X			X			X	
NS	4107-306	Wiring Diagram			X		X				
NS	4107-307	Wiring Diagram									X

NS = Not Shown

X – Standard Component

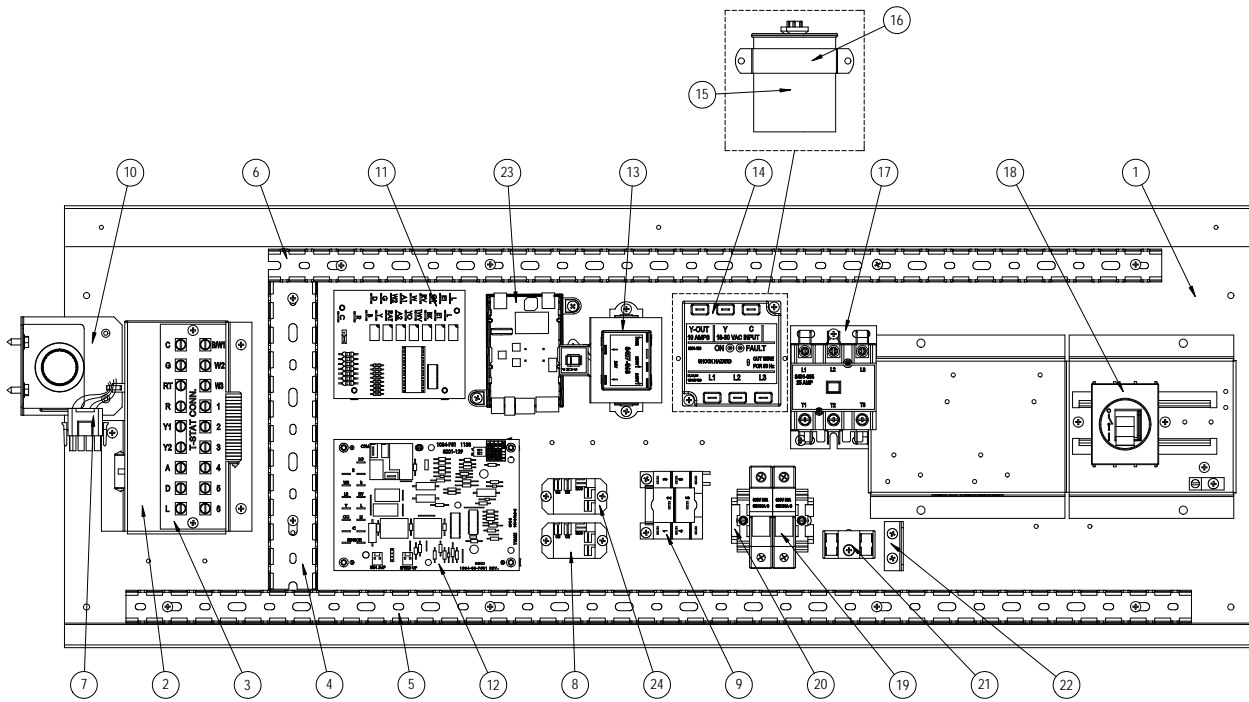
① Only used for three phase units; single phase models use capacitors.

O – Optional Component

② Circuit breakers listed are for units without electric heat, "OZ" models. See **ELECTRIC HEAT COMPONENTS** on page 18 for units with electric heat.

③ Q**A4DC models will have two (2) of the same fuse installed; part number is determined by the vent package installed.

CONTROL PANEL COMPONENTS – QH STANDARD & DEHUMIDIFICATION



SEXP-1024 A

This drawing to be used for reference for pages 13 and 14

CONTROL PANEL COMPONENTS – QH STANDARD & DEHUMIDIFICATION

Dwg No.	Part Number	Description	Q43H4-A	Q43H4-B	Q43H4-C	Q43H4-DA	Q43H4-DB	Q43H4-DC	Q48H4-A	Q48H4-B	Q48H4-C	Q48H4-DA	Q48H4-DB	Q48H4-DC
1	517-429	Control Panel (sheet metal only)	X	X	X	X	X	X	X	X	X	X	X	X
2	117-424	Low Voltage Box	X	X	X	X	X	X	X	X	X	X	X	X
3	8607-063	Low Voltage Strip	X	X	X	X	X	X	X	X	X	X	X	X
4	8611-140-0903	Cable Duct - 9 3/16"	X	X	X	X	X	X	X	X	X	X	X	X
5	8611-140-3200	Cable Duct - 32"	X	X	X	X	X	X	X	X	X	X	X	X
6	8611-140-2704	Cable Duct - 27 1/4"	X	X	X	X	X	X	X	X	X	X	X	X
7	3000-1524	Vent Jumper Plug (used when no vent is installed)	X	X	X	X	X	X	X	X	X	X	X	X
8	8201-130	Blower Speed Relay	X	X	X	X	X	X	X	X	X	X	X	X
9	8201-086	OD T-Stat/LAC Relay	O	O	O	O	O	O	O	O	O	O	O	O
10	8408-028	Outdoor Thermostat	O	O	O	O	O	O	O	O	O	O	O	O
11	S8201-113	Dehumidification Logic Board				X	X	X				X	X	X
12	8620-223	Defrost Logic Control Board w/Sensor	X	X	X	X	X	X	X	X	X	X	X	X
13	8407-068	Transformer	X	X		X	X		X	X		X	X	
13	8407-069	Transformer			X			X			X			X
14	S8201-126	Phase Monitor ①		X	X		X	X		X	X		X	X
15	8552-043	Compressor Capacitor	X			X								
15	8552-081	Compressor Capacitor							X				X	
16	8550-008	Capacitor Strap	X			X			X				X	
17	8401-034	Compressor Contactor	X			X			X				X	
17	8401-035	Compressor Contactor		X	X		X	X		X	X		X	X
18	8615-055	Circuit Breaker 40A 2 Pole ②	X			X			X				X	
18	8615-052	Circuit Breaker 30A 3 Pole ②		X			X			X				X
18	S8615-095	Toggle Disconnect			X			X			X			X
19	8615-058	Fuse Block			X			X			X			X
20	8611-210	Din Rail 2-1/2"			X			X			X			X
21	8607-017	Terminal Block			X			X			X			X
22	141-188	Heater Plug Bracket	X	X	X	X	X	X	X	X	X	X	X	X
23	8301-079-0003	EVD Control Board (Programmed)				X	X	X					X	X
NS	5651-246	EEV Cable and Stator				X	X	X					X	X
NS	8408-056	EEV Thermistor				X	X	X					X	X
NS	3000-1145	Blower Power Plug	X	X	X	X	X	X	X	X	X	X	X	X
NS	3000-1337	Compressor Wire Harness	X			X			X				X	
NS	3000-1338	Compressor Wire Harness		X	X		X	X		X	X		X	X
NS	3003-083	Control Panel Wire Harness				X							X	
NS	3003-084	Control Panel Wire Harness					X							X
NS	3003-085	Control Panel Wire Harness						X						X
NS	3003-086	Control Panel Wire Harness	X						X					
NS	3003-087	Control Panel Wire Harness		X						X				
NS	3003-088	Control Panel Wire Harness			X						X			
NS	3003-1694	Upper Low Voltage Wire Harness	X	X	X	X	X	X	X	X	X	X	X	X
NS	8614-042	7A Class CC Fuse ③			2			2			2			2
NS	8614-046	5A Class CC Fuse ③			2			2			2			2
NS	4100-126	Wiring Diagram	X						X					
NS	4100-226	Wiring Diagram		X						X				
NS	4100-326	Wiring Diagram			X						X			
NS	4100-127	Wiring Diagram				X						X		
NS	4100-227	Wiring Diagram					X						X	
NS	4100-327	Wiring Diagram						X						X

NS = Not Shown

X – Standard Component

① Only used for three phase units; single phase models use capacitors.

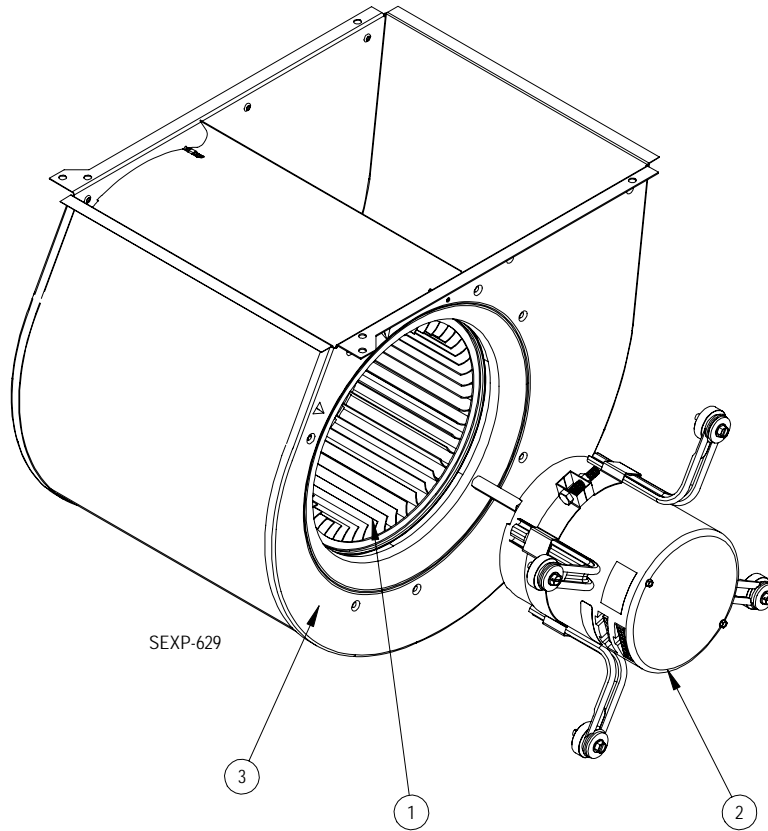
O – Optional Component

② Circuit breakers listed are for units without electric heat, “OZ” models. See **ELECTRIC HEAT COMPONENTS** on page 18 for units with electric heat.

Refer to drawing on page 12

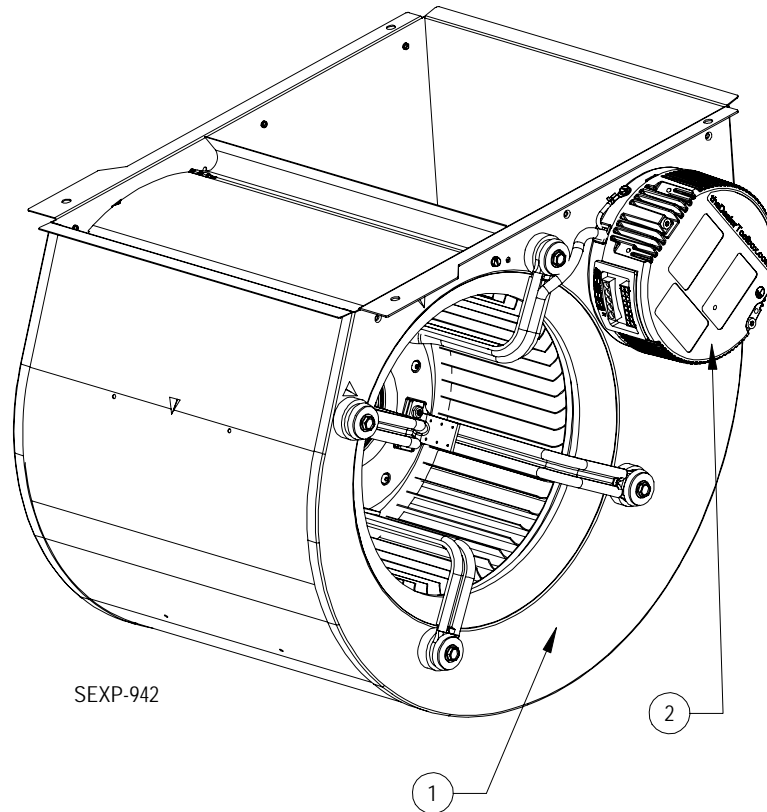
This page intentionally left blank

BLOWER ASSEMBLY COMPONENTS – Q24/30*4



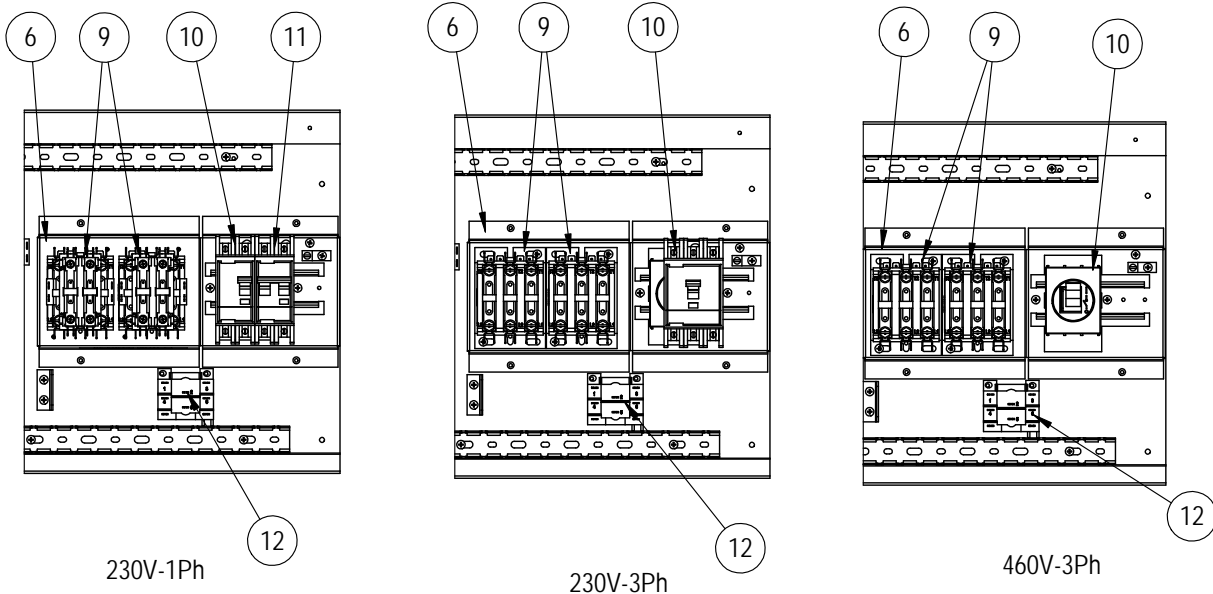
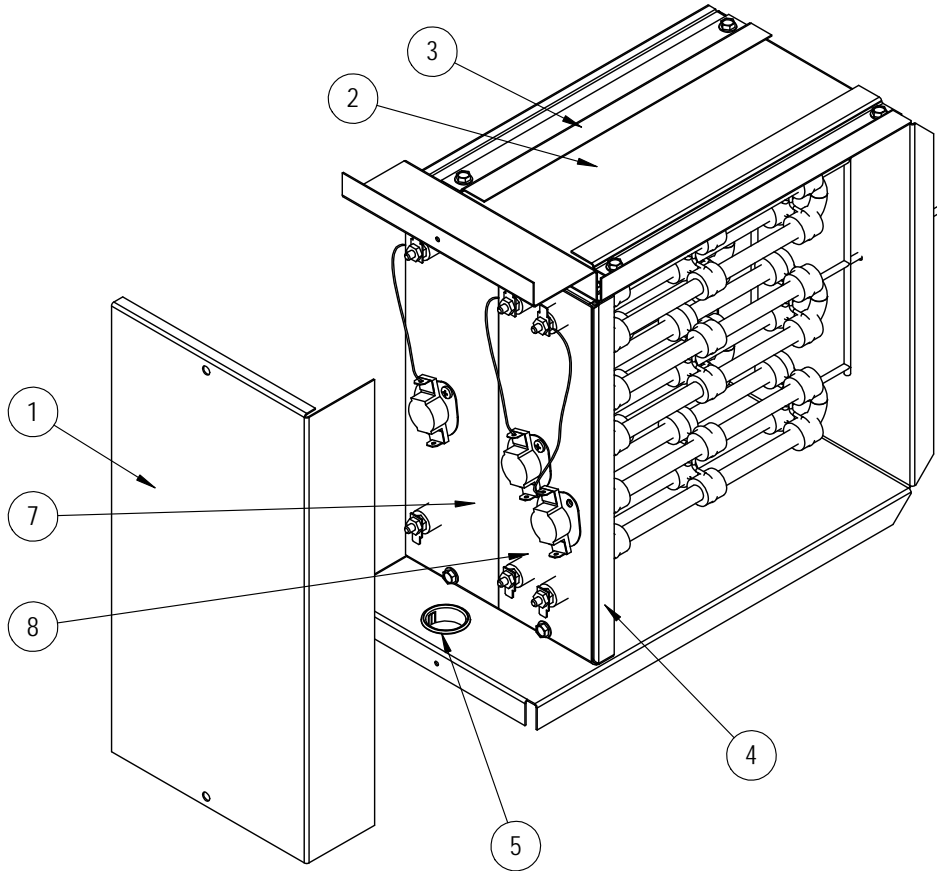
Dwg No.	Part Number	Description	5154-016-0211	5154-016-0212
1	5152-049	Blower Wheel	X	X
2	8105-076-0211BX	1/3 HP Programmed Motor	X	X
2	8105-076-0212BX	1/3 HP Programmed Motor		X
3	151-122	Housing	X	X
NS	C8105-076-0211	1/3 HP Control Only Replacement	X	
NS	C8105-076-0212	1/3 HP Control Only Replacement		X

BLOWER ASSEMBLY COMPONENTS – Q36/42/43/48*4



Dwg No.	Part Number	Description	5154-017-0210	5154-017-0215	5154-007-0216	5154-017-0228
1	5154-017-0210	Complete Blower Assembly	X			
1	5154-017-0215	Complete Blower Assembly		X		
1	5154-007-0216	Complete Blower Assembly			X	
1	5154-017-0228	Complete Blower Assembly				X
2	5154-017-0210BX	1/2 HP Programmed Motor	X			
2	5154-017-0215BX	1/2 HP Programmed Motor		X		
2	C5154-007-0216	3/4 HP Programmed Motor			X	
2	5154-017-0228BX	1/2 HP Programmed Motor				X

ELECTRIC HEAT COMPONENTS



SEXP-1063

This drawing to be used for reference for pages 19, 20, 21, 22 and 23

ELECTRIC HEAT COMPONENTS – Q36/42A DEHUMIDIFICATION

Dwg. No.	Part No.	Description	Q36A4DA0Z	Q36A4DA05	Q36A4DA10	Q36A4DB0Z	Q36A4DB06	Q36A4DB09	Q36A4DB15	Q36A4DC0Z	Q36A4DC06	Q36A4DC09	Q36A4DC15	Q42A4DA0Z	Q42A4DA05	Q42A4DA10	Q42A4DB0Z	Q42A4DB06	Q42A4DB09	Q42A4DB15	Q42A4DC0Z	Q42A4DC06	Q42A4DC09	Q42A4DC15
1	133-321	Heater Box Cover		X	X		X	X	X		X	X	X		X	X		X	X	X		X	X	X
2	117-191	Heat Strip Box		X	X		X	X	X		X	X	X		X	X		X	X	X		X	X	X
3	103-417	Heat Strip Offset		2	2		2	2	2		2	2	2		2	2		2	2	2		2	2	2
4	105-987	Heat Strip Angle		X	X		X	X	X		X	X	X		X	X		X	X	X		X	X	X
5	8611-017	Bushing		X	X		X	X	X		X	X	X		X	X		X	X	X		X	X	X
6	127-589	Circuit Breaker Base	X	X	X	X	X	X	X	X	X	X	X	X	X	X	X	X	X	X	X	X	X	X
7	136-360	0Kw Fill Plate		X	X		X	X			X	X			X	X		X	X			X	X	
7	8604-105	6Kw Heat Strip (240V-3)							X											X				
7	8604-107	6Kw Heat Strip (480V)											X											X
8	8604-103	5Kw Heat Strip (240V-1)		X											X									
8	8604-104	10Kw Heat Strip (240V-1)			X										X									
8	8604-105	6Kw Heat Strip (240V-3)					X										X							
8	8604-107	6Kw Heat Strip (480V)								X								X					X	
8	8604-106	9Kw Heat Strip (240V-3)						X	X										X	X				
8	8604-108	9Kw Heat Strip (460V)										X	X										X	X
9	8401-006	Contactorm 20A 2-Pole		X											X									
9	8401-002	Contactorm 25A 3-Pole					X	X	2		X	X	2				X	X	2	X	X	X	X	2
9	8401-025	Contactorm 40A 2-Pole			X											X								
10	8615-055	Circuit Breaker 40A 2-Pole	X	X										X	X									
10	8615-040	Circuit Breaker 50A 2-Pole														X								
10	8615-041	Circuit Breaker 60A 2-Pole			X											X								
10	8615-051	Circuit Breaker 25A 3-Pole				X	X										X							
10	8615-042	Circuit Breaker 35A 3-Pole						X									X	X	X					
10	8615-045	Circuit Breaker 50A 3-Pole							X									X						
10	8615-046	Circuit Breaker 60A 3-Pole																	X					
10	8615-095	Toggle Disconnect								X	X	X	X							X	X	X	X	
12	8201-013	Relay DPST							X				X							X				X

ELECTRIC HEAT COMPONENTS – Q48A DEHUMIDIFICATION

Dwg. No.	Part No.	Description	Q48A4DA0Z	Q48A4DA05	Q48A4DA10	Q48A4DA15	Q48A4DB0Z	Q48A4DB06	Q48A4DB09	Q48A4DB15	Q48A4DC0Z	Q48A4DC06	Q48A4DC09	Q48A4DC15
1	133-321	Heater Box Cover	X	X	X	X	X	X	X	X	X	X	X	X
2	117-191	Heat Strip Box	X	X	X	X	X	X	X	X	X	X	X	X
3	103-417	Heat Strip Offset	2	2	2	2	2	2	2	2	2	2	2	2
4	105-987	Heat Strip Angle	X	X	X	X	X	X	X	X	X	X	X	X
5	8611-017	Bushing	X	X	X	X	X	X	X	X	X	X	X	X
6	127-589	Circuit Breaker Base	X	X	X	X	X	X	X	X	X	X	X	X
7	136-360	0Kw Fill Plate		X	X			X	X			X	X	
7	8604-105	6Kw Heat Strip (240V-3)								X				
7	8604-107	6Kw Heat Strip (480V)												X
7	8604-103	5Kw Heat Strip (240V-1)				X								
8	8604-103	5Kw Heat Strip (240V-1)		X										
8	8604-104	10Kw Heat Strip (240V-1)			X	X								
8	8604-105	6Kw Heat Strip (240V-3)					X							
8	8604-107	6Kw Heat Strip (480V)										X		
8	8604-106	9Kw Heat Strip (240V-3)						X	X					
8	8604-108	9Kw Heat Strip (460V)											X	X
9	8401-006	Contactora 20A 2-Pole		X		X								
9	8401-002	Contactora 25A 3-Pole					X	X				X	X	
9	8401-025	Contactora 40A 2-Pole			X	X				2				2
10	8615-055	Circuit Breaker 40A 2-Pole	X	X										
10	8615-041	Circuit Breaker 60A 2-Pole			X	X								
10	8615-052	Circuit Breaker 30A 3-Pole					X							
10	8615-042	Circuit Breaker 35A 3-Pole					X							
10	8615-043	Circuit Breaker 40A 3-Pole						X						
10	8615-046	Circuit Breaker 60A 3-Pole								X				
10	8615-095	Toggle Disconnect									X	X	X	X
11	8615-037	Circuit Breaker 30A 2-Pole				X								
12	8201-013	Relay DPST				X				X				X

Refer to drawing on page 18

ELECTRIC HEAT COMPONENTS - Q24/30H

Dwg. No.	Part No.	Description	Q24H4-A0Z, Q24H4DA0Z	Q24H4-A05, Q24H4DA05	Q24A4-B0Z, Q24H4DB0Z	Q24A4-B06, Q24H4DB06	Q24A4-B09, Q24H4DB09	Q24A4-C0Z, Q24H4DC0Z	Q24A4-C06, Q24H4DC06	Q24A4-C09, Q24H4DC09	Q30H4-A0Z, Q30H4DA0Z	Q30H4-A05, Q30H4DA05	Q30H4-B0Z, Q30H4DB0Z	Q30H4-B06, Q24H4DB06	Q30H4-B09, Q30H4DB09	Q30A4-C0Z, Q30H4DC0Z	Q30A4-C06, Q30H4DC06	Q30A4-C09, Q30H4DC09
1	133-321	Heater Box Cover		X		X	X		X	X		X		X	X		X	X
2	117-191	Heat Strip Box		X		X	X		X	X		X		X	X		X	X
3	103-417	Heat Strip Offset		2		2	2		2	2		2		2	2		2	2
4	105-987	Heat Strip Angle		X		X	X		X	X		X		X	X		X	X
5	8611-017	Bushing		X		X	X		X	X		X		X	X		X	X
6	127-589	Circuit Breaker Base	X	X	X	X	X	X	X	X	X	X	X	X	X	X	X	X
7	136-360	0Kw Fill Plate		X		X	X		X	X		X		X	X		X	X
7	8604-105	6Kw Heat Strip (240V-3)																
7	8604-107	6Kw Heat Strip (480V)																
8	8604-103	5Kw Heat Strip (240V-1)		X								X						
8	8604-104	10Kw Heat Strip (240V-1)																
8	8604-105	6Kw Heat Strip (240V-3)				X								X				
8	8604-107	6Kw Heat Strip (480V)							X								X	
8	8604-106	9Kw Heat Strip (240V-3)					X								X			
8	8604-108	9Kw Heat Strip (460V)								X								X
9	8401-006	Contactora 20A 2-Pole		X								X						
9	8401-002	Contactora 25A 3-Pole				X	X		X	X				X	X		X	X
10	8615-038	Circuit Breaker 35A 2-Pole	X								X							
10	8615-040	Circuit Breaker 50A 2-Pole		X								X						
10	8615-054	Circuit Breaker 20A 3-Pole			X													
10	8615-051	Circuit Breaker 25A 3-Pole											X					
10	8615-042	Circuit Breaker 35A 3-Pole				X												
10	8615-043	Circuit Breaker 40A 3-Pole												X				
10	8615-044	Circuit Breaker 45A 3-Pole					X											
10	8615-045	Circuit Breaker 50A 3-Pole													X			
10	8615-095	Toggle Disconnect						X	X	X						X	X	X

Refer to drawing on page 18

ELECTRIC HEAT COMPONENTS - Q36/42H

Dwg. No.	Part No.	Description	Q36H4-A0Z, Q36H4DA0Z	Q36H4-A05	Q36H4DA05	Q36H4-A10, Q36H4DA10	Q36H4-B0Z	Q36H4DB0Z	Q36H4-B06, Q36H4DB06	Q36H4-B09, Q36H4DB09	Q36H4-B15, Q36H4DB15	Q36H4-C0Z, Q36H4DC0Z	Q36H4-C06, Q36H4DC06	Q36H4-C09, Q36H4DC09	Q36H4-C15, Q36H4DC15	Q42H4-A0Z, Q42H4DA0Z	Q42H4-A05, Q42H4DA05	Q42H4-A10, Q42H4DA10	Q42H4-B0Z, Q42H4DB0Z	Q42H4-B06, Q42H4DB06	Q42H4-B09, Q42H4DB09	Q42H4-B15, Q42H4DB15	Q42H4-C0Z, Q42H4DC0Z	Q42H4-C06, Q42H4DC06	Q42H4-C09, Q42H4DC09	Q42H4-C15, Q42H4DC15	
1	133-321	Heater Box Cover		X	X	X			X	X	X		X	X	X		X	X		X	X	X		X	X	X	
2	117-191	Heat Strip Box		X	X	X			X	X	X		X	X	X		X	X		X	X	X		X	X	X	
3	103-417	Heat Strip Offset		2	2	2			2	2	2		2	2	2		2	2		2	2	2		2	2	2	
4	105-987	Heat Strip Angle		X	X	X			X	X	X		X	X	X		X	X		X	X	X		X	X	X	
5	8611-017	Bushing		X	X	X			X	X	X		X	X	X		X	X		X	X	X		X	X	X	
6	127-589	Circuit Breaker Base	X	X	X	X	X	X	X	X	X	X	X	X	X	X	X	X	X	X	X	X	X	X	X	X	X
7	136-360	0Kw Fill Plate		X	X	X			X	X			X	X			X	X		X	X			X	X		
7	8604-105	6Kw Heat Strip (240V-3)									X											X					
7	8604-107	6Kw Heat Strip (480V)													X											X	
8	8604-103	5Kw Heat Strip (240V-1)		X	X												X										
8	8604-104	10Kw Heat Strip (240V-1)				X												X									
8	8604-105	6Kw Heat Strip (240V-3)						X																			
8	8604-107	6Kw Heat Strip (480V)										X															
8	8604-106	9Kw Heat Strip (240V-3)								X	X											X					
8	8604-108	9Kw Heat Strip (460V)											X	X												X	
9	8401-006	Contactora 20A 2-Pole		X	X	X											X	X									
9	8401-002	Contactora 25A 3-Pole						X	X	2		X	X	2					X	X	2		X	X	2		
10	8615-055	Circuit Breaker 40A 2-Pole	X		X										X												
10	8615-040	Circuit Breaker 50A 2-Pole		X																							
10	8615-041	Circuit Breaker 60A 2-Pole				X											X	X									
10	8615-051	Circuit Breaker 25A 3-Pole					X																				
10	8615-052	Circuit Breaker 30A 3-Pole						X																			
10	8615-044	Circuit Breaker 45A 3-Pole							X										X								
10	8615-045	Circuit Breaker 50A 3-Pole								X	X									X							
10	8615-046	Circuit Breaker 60A 3-Pole																			X	X					
10	8615-095	Toggle Disconnect										X	X	X	X							X	X	X	X		
11	8615-037	Circuit Breaker 30A 2-Pole				X																					
12	8201-013	Relay DPST									X				X							X				X	

Refer to drawing on page 18

ELECTRIC HEAT COMPONENTS – Q48H

Dwg.														
No.	Part No.	Description	Q48H4-A0Z, Q48H4DA0Z	Q48H4-A05, Q48H4DA05	Q48H4-A10, Q48H4DA10	Q48H4-A15, Q48H4DA15	Q48H4-B0Z, Q48H4DB0Z	Q48H4-B06, Q48H4DB06	Q48H4-B09, Q48H4DB09	Q48H4-B15, Q48H4DB15	Q48H4-C0Z, Q48H4DC0Z	Q48H4-C06, Q48H4DC06	Q48H4-C09, Q48H4DC09	Q48H4-C15, Q48H4DC15
1	133-321	Heater Box Cover		X	X	X		X	X	X		X	X	X
2	117-191	Heat Strip Box		X	X	X		X	X	X		X	X	X
3	103-417	Heat Strip Offset		2	2	2		2	2	2		2	2	2
4	105-987	Heat Strip Angle		X	X	X		X	X	X		X	X	X
5	8611-017	Bushing		X	X	X		X	X	X		X	X	X
6	127-589	Circuit Breaker Base	X	X	X	X	X	X	X	X	X	X	X	X
7	136-360	0Kw Fill Plate		X	X			X	X			X	X	
7	8604-105	6Kw Heat Strip (240V-3)								X				
7	8604-107	6Kw Heat Strip (480V)												X
8	8604-103	5Kw Heat Strip (240V-1)				X								
8	8604-104	10Kw Heat Strip (240V-1)				X								
8	8604-105	6Kw Heat Strip (240V-3)						X						
8	8604-107	6Kw Heat Strip (480V)										X		
8	8604-106	9Kw Heat Strip (240V-3)							X	X				
8	8604-108	9Kw Heat Strip (460V)											X	X
9	8401-006	Contactora 20A 2-Pole		X	X	X								
9	8401-002	Contactora 25A 3-Pole						X	X	2		X	X	2
9	8401-034	Contactora 40A 2-Pole				X								
10	8615-055	Circuit Breaker 40A 2-Pole	X											
10	8615-041	Circuit Breaker 60A 2-Pole		X	X	X								
10	8615-052	Circuit Breaker 30A 3-Pole					X							
10	8615-044	Circuit Breaker 45A 3-Pole						X						
10	8615-046	Circuit Breaker 60A 3-Pole							X	X				
10	8615-095	Toggle Disconnect									X	X	X	X
11	8615-035	Circuit Breaker 40A 2-Pole				X								
12	8201-013	Relay DPST				X								X

Refer to drawing on page 18