
REPLACEMENT PARTS MANUAL

QH Series Energy Recovery Ventilator

Model: QERV

General Notes

- Revised and/or additional pages may be issued from time to time.
- A complete and current manual consists of pages shown in the following contents section.

Important

- Contact the installing and/or local Bard distributor for all parts requirements. Make sure to have the complete model and serial number available from the unit rating plates.

Contents

<u>Description</u>	<u>Page</u>
Functional and Cabinet Components	
♦ Exploded View.....	2
♦ Usage List	3
Cassette Components	
♦ Exploded View.....	4
♦ Usage List	4
Control Panel	
♦ Layout View	5
♦ Usage List	5
Blower Assembly	
♦ Exploded View.....	6
♦ Usage List	6

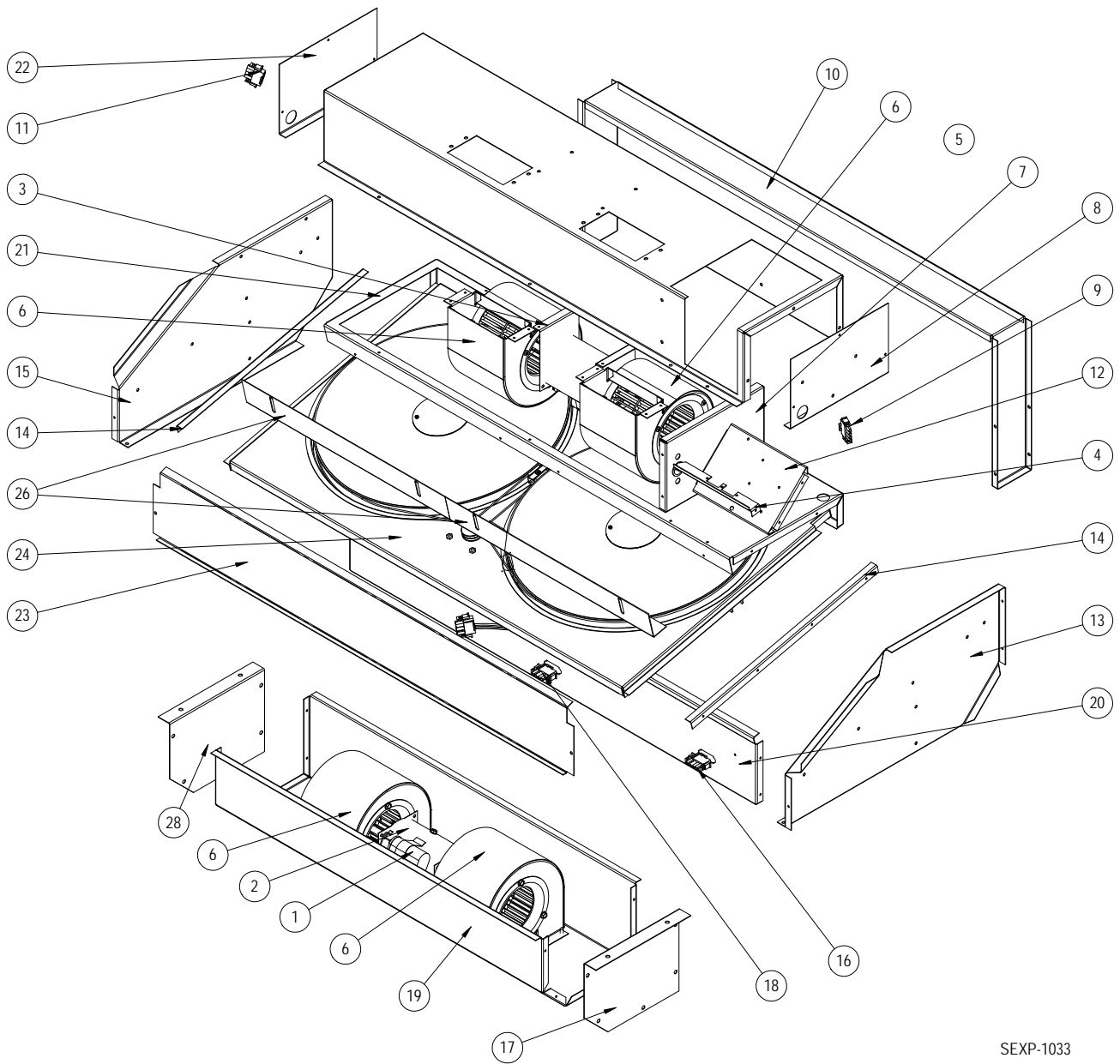


Climate Control Solutions

Bard Manufacturing Company, Inc.
Bryan, Ohio 43506
www.bardhvac.com

Manual: 2110-1571
Supersedes: **NEW**
Date: 7-27-20

FUNCTIONAL AND CABINET COMPONENTS



SEXP-1033

FUNCTIONAL AND CABINET COMPONENTS

Drawing No.	Part No.	Description	QERV
1	8552-001	Blower Motor Capacitor	2
2	8101-024	Blower Motor	2
3	128-018	Motor Mount	4
4	S910-1637	Terminal Block Assembly	1
5	132-147	Control Panel Cover	1
6	Blower Housing	See Blower Housing Drawing	2
7	520-307	Upper Blower Box Partition	1
8	100-332	Right End Upper Blower Box	1
9	3000-1059	Wire Harness	1
10	137-983	3" Fill Extension	1
11	3000-1686	Wire Harness	1
12	116-193	Control Panel	1
13	100X331	Right End	1
14	104-989	Side Angle	2
15	100Y331	Left End	1
16	3000-1061	Wire Harness	1
17	500X278	Right End Lower Blower Box	1
18	3000-1060	Wire Harness	1
19	538-084	Lower Blower Box Assembly	1
20	520-318	Lower Partition Assembly	1
21	106-188	Top Assembly	1
22	501-1094	Left End Upper Blower Box	1
23	114-111	Front Fill	1
24	5070-036	See CASSETTE COMPONENTS on page 4	1
25	538-183	Upper Blower Box Assembly	1
26	104-990	Seal Assembly	2
28	500Y278	Left End Lower Blower Box	1
NS	3000-1073	Wire Harness	1
NS	4056-257	Wiring Diagram	1

NS = Not Shown

CASSETTE COMPONENTS

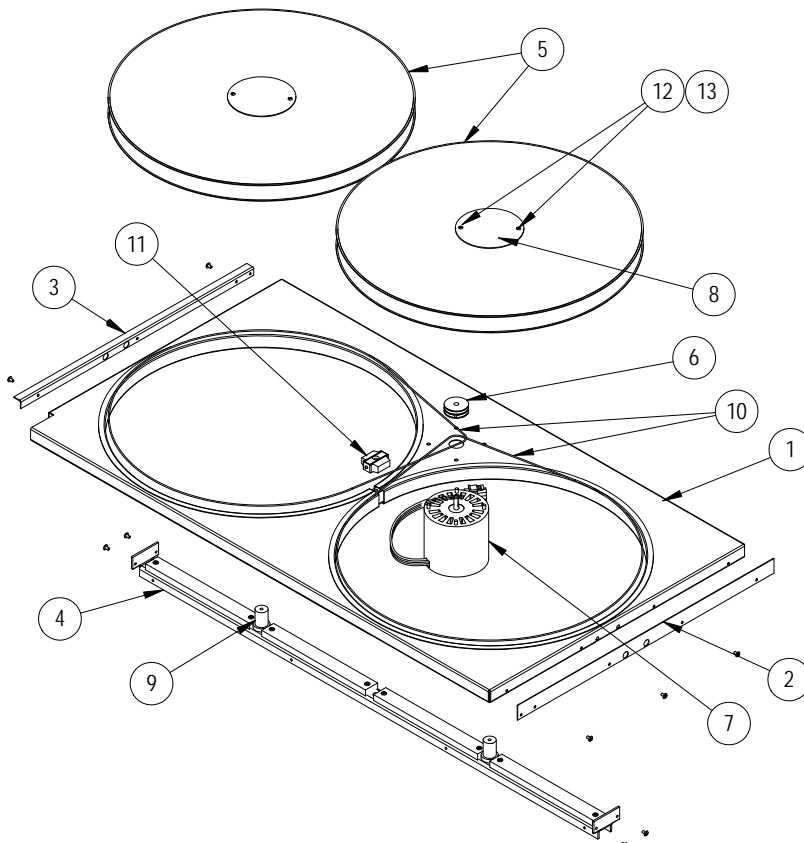
5070-036

Drawing No.	Part No.	Description	
1	539-168	Cassette Plate Assembly	1
2	104-1127	Right Support Angle	1
3	104-1128	Left Support Angle	1
4	S140-288	Support Bar Assembly	1
5	5070-043	Cassette Wheel	2
6	5501-019	Pulley	1
7	8101-016	Motor	1
8	142-104	Hub Cover	2
9	1912-012	Wheel Shaft	2
10	8620-196	Drive Belt & Pulley Kit	2
11	S5070-047	Center Block Assembly	1
12	1012-164	Machine Screw	4
13	8611-111	Nylon Spacer	4
NS	5070-052	3/4" Bearing/Hub Assembly	2
NS	8620-204 ①	Bearing/Hub, Shaft & Hardware Kit	2
NS	8620-205 ②	Shaft & Hardware Kit	2

NS = Not Shown

① = Contains Item #'s 8, 9, 12, 13 and "NS" Bearing + Additional Hardware

② = Contains Item #'s 8, 9, 12, 13 + Additional Hardware



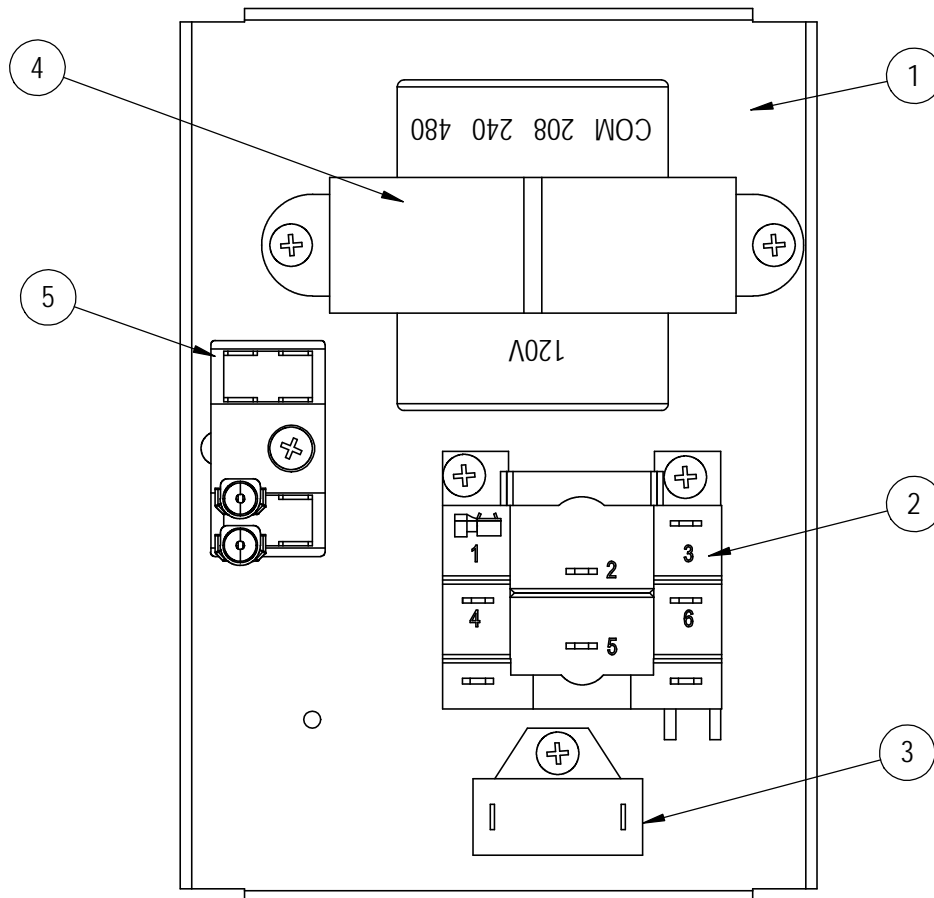
SEXP-472

CONTROL PANEL

902-2338

Drawing No.	Part No.	Description	
1	116-193	Control Panel	1
2	8201-086	Blower Relay	1
3	8552-100	Cassette Motor Capacitor	1
4	8407-043	Transformer	1
5	8607-017	Terminal Block	1

NS = Not Shown



SEXP-1032

BLOWER ASSEMBLY

Drawing No.	Part No.	Description	900-336	900-385
1	5152-078	Blower Wheel	1	
2	144-188	Inlet Ring	2	
3	151-119	Blower Housing	1	

