

---

# REPLACEMENT PARTS MANUAL

---

## Commercial Room Ventilator with Spring Return and Exhaust

Models:

CRV-F2 CRV-F3

---

### General Notes

- Revised and/or additional pages may be issued from time to time.
- A complete and current manual consists of pages shown in the following contents section.

### Important

- Contact the installing and/or local distributor for all parts requirements. Make sure to have the complete model and serial number available from the unit rating plates.

### Contents

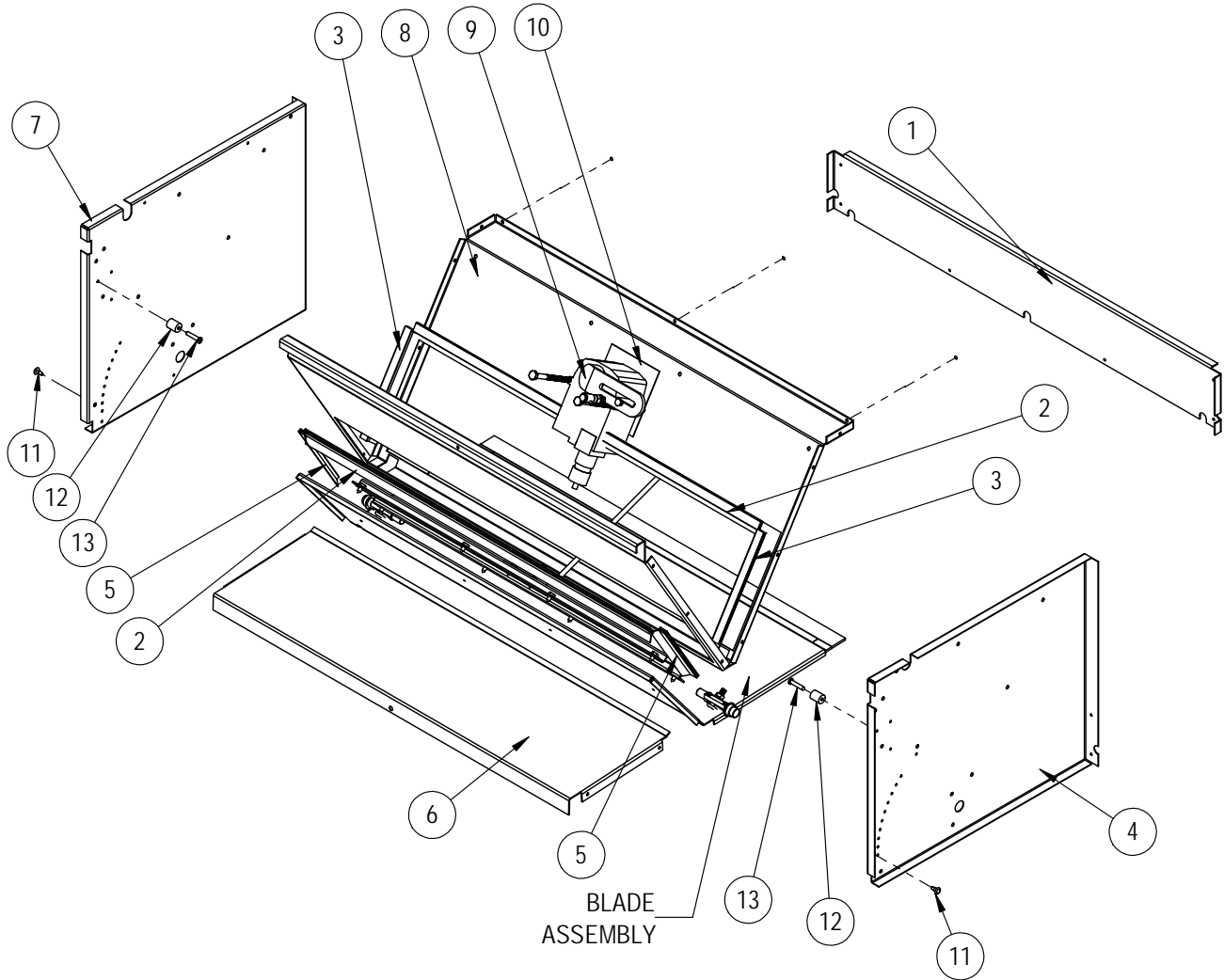
Description	Page
CRV-F2, CRV-F3 Commercial Room Ventilator	
♦ Exploded View .....	2
♦ Usage List .....	3
Blade Assembly	
♦ Exploded View .....	4
♦ Usage List .....	4

---

BMC, Inc.  
Bryan, Ohio 43506

Manual: 2110-1572  
Supersedes: **NEW**  
Date: 7-13-23

# CRV-F2, CRV-F3 COMMERCIAL ROOM VENTILATOR



SEXP-1069

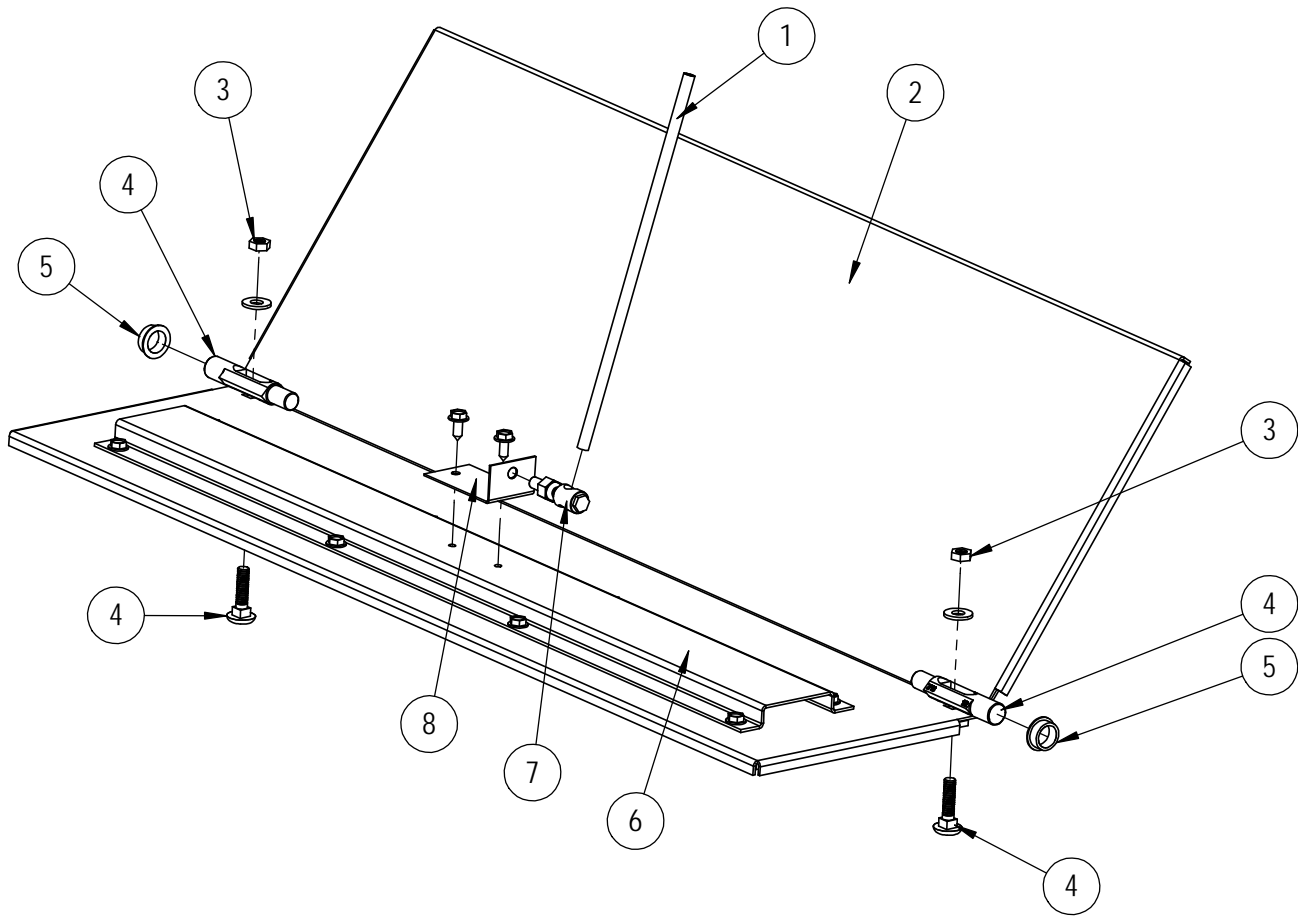
## CRV-F2, CRV-F3 COMMERCIAL ROOM VENTILATOR

---

Drawing No.	Part No.	Description	CRV-F2	CRV-F3
1	137-874BX	Lower Rear Fill	X	
1	137-873BX	Lower Rear Fill		X
2	1921-067-2006	Damper Blade Seal	2	
2	1921-067-2506	Damper Blade Seal		2
3	1921-067-0606	Damper Blade Seal	2	2
4	101X1035BX	Right CRV Side	X	X
5	1921-067-0410	Damper Blade Seal	2	2
6	137-869BX	Lower Front Partition	X	
6	137-829BX	Lower Front Partition		X
7	101Y1035BX	Left CRV Side	X	X
8	139-387BX	Partition	X	
8	139-388BX	Partition		X
9	8602-094BX	Actuator	X	X
10	128-027BX	Actuator Spacer	X	X
11	8611-059	Canoe Clip	2	2
12	1012-192	Nylon Spacer	2	2
13	1012-074	Screw #8-18x1	2	2
NS	136-664BX	Condenser Cover Plate	X	
NS	136-751BX	Condenser Cover Plate		X
NS	136-1013BX	Return Fill Plate		X
NS	136-1014BX	Return Fill Plate	X	
NS	7003-076	Mist Filter 11-3/4"x20-7/8"x1/2"	X	
NS	7003-075	Mist Filter 11-3/4"x26-1/4"x1/2"		X

NS = Not Shown

# BLADE ASSEMBLY



SEXP-927

Drawing No.	Part No.	Description	CRV-F2	CRV-F3
1	8602-077	1/4 x 9" Rod	X	X
2	139-355BX	Blade	X	
2	139-352BX	Blade		X
3	1012-221	1/4-20 Hex Flange Nut	2	2
4	8602-038	Damper Pin with Hardware	2	2
5	8602-052	1/2" Bronze Bushing	X	X
6	141-433BX	Blade Support	X	
6	141-430BX	Blade Support		X
7	8602-008	Ball Joint	X	X
8	105-1444BX	Bracket	X	X