

---

# REPLACEMENT PARTS MANUAL

---

## Wall Mount Heat Pump

Models:

C36HY-A C42HY-A C48HY-A C60HY-A  
C36HY-B C42HY-B C48HY-B C60HY-B  
C36HY-C C42HY-C C48HY-C C60HY-C

---

### Contents

Description	Page
External Parts – Standard	
♦ Exploded View .....	2
♦ Usage List .....	3
♦ Usage List .....	4
External Parts – Recessed Cabinet	
♦ Exploded View .....	6
♦ Usage List .....	7
Internal Parts – Standard & Recessed	
♦ Exploded View .....	8
♦ Usage List .....	9
Functional Components – Standard & Recessed	
♦ Exploded View .....	10
♦ Usage List .....	11
♦ Usage List .....	12
Control Panel – Standard & Recessed	
♦ Layout View .....	14
♦ Usage List .....	15
♦ Usage List .....	16
Blower Assembly	
♦ Exploded View .....	17
♦ Usage List .....	17

### General Notes

- Revised and/or additional pages may be issued from time to time.
- A complete and current manual consists of pages shown in the following contents section.

### Important

- Contact the installing and/or local Bard distributor for all parts requirements. Make sure to have the complete model and serial number available from the unit rating plates.

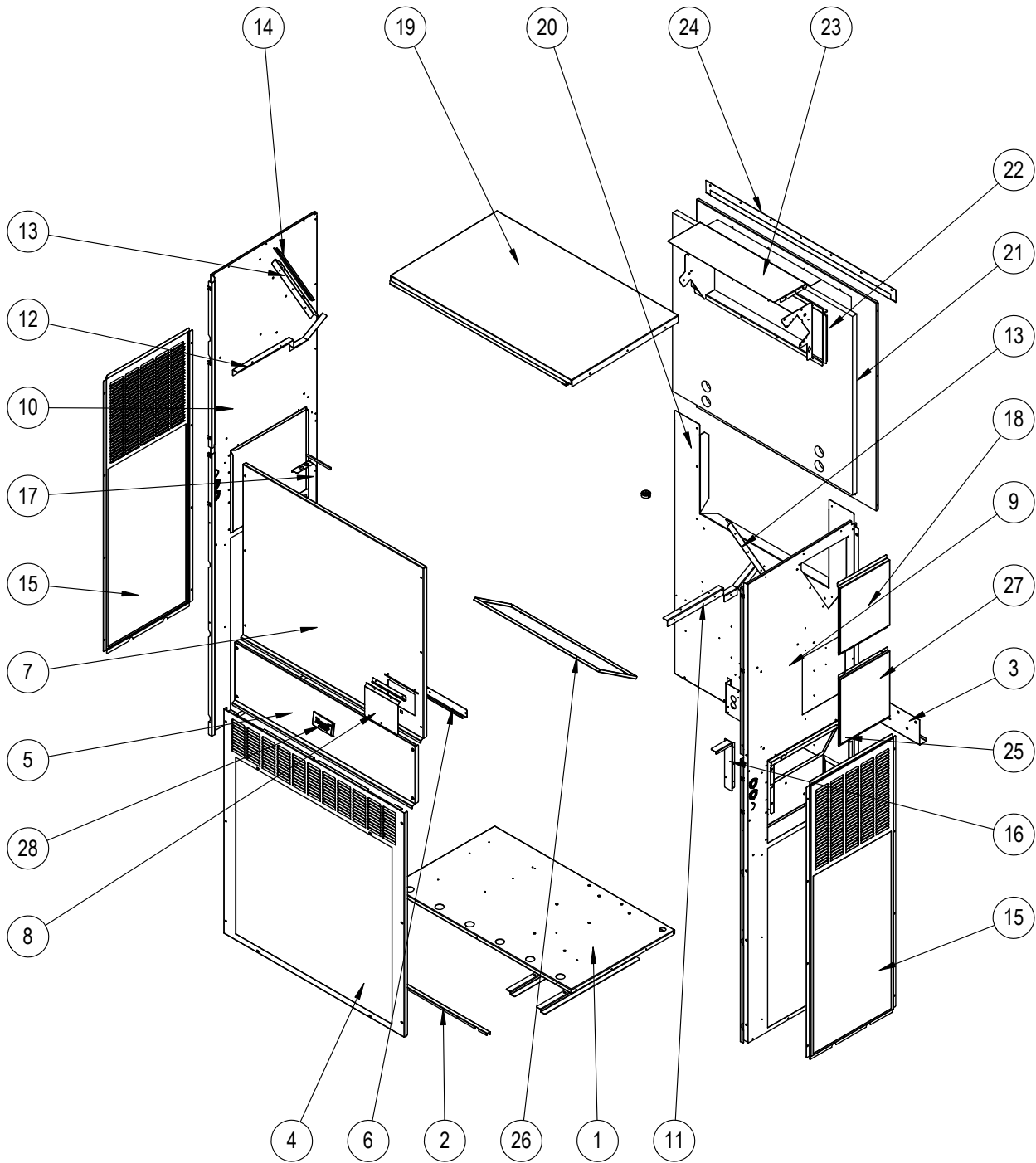


*Climate Control Solutions*

Bard Manufacturing Company, Inc.  
Bryan, Ohio 43506  
www.bardhvac.com

Manual: 2110-1575E  
Supersedes: 2110-1575D  
Date: 1-4-24

# EXTERNAL PARTS - STANDARD



SEXP-1099

This drawing to be used for reference for pages 3 and 4

## EXTERNAL PARTS – STANDARD

Dwg No.	Part Number	Description	C36HY-A, B, C	C42HY-A, B, C	C48HY-A, B, C	C60HY-A, B, C
1	127-616BX	Base (only)	X	X	X	X
1	527-616BX	Base Assembly w/Compressor Plate	X	X	X	X
1	127-617BX ③	Base (only)	0	0	0	0
1	527-617BX ③	Base Assembly w/Compressor Plate	0	0	0	0
2	113-762BX	Front Base Bracket	X	X	X	X
2	113-797BX ③	Front Base Bracket	0	0	0	0
3	113-140BX	Bottom Mounting Bracket	X	X	X	X
4	119-125-*BX ①	Front Grille	X	X		
4	119-148BX ②	Front Grille	0	0		
4	119-135BX ③	Front Grille	0	0		
4	119-127-*BX ①	Front Grille			X	X
4	119-149BX ②	Front Grille			0	0
4	119-137BX ③	Front Grille			0	0
5	533-301-*BX ①	Control Panel Cover (Outer)	X	X	X	X
5	533-309BX ②	Control Panel Cover (Outer)	0	0	0	0
5	533-310BX ③	Control Panel Cover (Outer)	0	0	0	0
6	165-608-*BX ①	Rain Channel	X	X	X	X
6	165-609BX ②	Rain Channel	0	0	0	0
6	165-610BX ③	Rain Channel	0	0	0	0
7	515-323-*BX ①	Upper Front	X	X		
7	515-328BX ②	Upper Front	0	0		
7	515-330BX ③	Upper Front	0	0		
7	515-324-*BX ①	Upper Front			X	X
7	515-329BX ②	Upper Front			0	0
7	515-331BX ③	Upper Front			0	0
8	153-717-*BX ①	Disconnect Access Door	X	X	X	X
8	153-723BX ②	Disconnect Access Door	0	0	0	0
8	153-724BX ③	Disconnect Access Door	0	0	0	0
9	501-1127-*BX ①	Right Side Assembly	X	X		
9	501-1128BX ②	Right Side Assembly	0	0		
9	501-1129BX ③	Right Side Assembly	0	0		
9	501-1130-*BX ①	Right Side Assembly			X	X
9	501-1131BX ②	Right Side Assembly			0	0
9	501-1132BX ③	Right Side Assembly			0	0
10	501-1054-*BX ①	Left Side Assembly	X	X		
10	501-1073BX ②	Left Side Assembly	0	0		
10	501-1077BX ③	Left Side Assembly	0	0		
10	501-1056-*BX ①	Left Side Assembly			X	X
10	501-1075BX ②	Left Side Assembly			0	0
10	501-1079BX ③	Left Side Assembly			0	0
11	105X1454BX	Right Support Angle	X	X	X	X
12	105Y1454BX	Left Support Angle	X	X	X	X
13	105-1457BX	Coil Support	2	2		
13	105-1455BX	Coil Support			2	2
14	147-055BX	Coil Support Offset	X	X		
14	147-054BX	Coil Support Offset			X	X

*Continued on page 4*

① Exterior cabinet parts are manufactured with various paint color options. To ensure the proper paint color is received, include the complete model and serial number of the unit for which cabinet parts are being ordered.

② Exterior cabinet parts are manufactured from aluminum Code "A"

③ Exterior cabinet parts are manufactured from stainless steel Code "S"

X – Standard Component  
O – Optional Component

# EXTERNAL PARTS – STANDARD

Dwg No.	Part Number	Description	C36HY-A, B, C	C42HY-A, B, C	C48HY-A, B, C	C60HY-A, B, C
<i>Continued from page 3</i>						
15	119-126-*BX ①	Side Grille	2	2		
15	119-142BX ②	Side Grille	2	2		
15	119-136BX ③	Side Grille	2	2		
15	119-128-*BX ①	Side Grille			2	2
15	119-143BX ②	Side Grille			2	2
15	119-138BX ③	Side Grille			2	2
16	105-1450BX	Right Control Panel Angle	X	X	X	X
17	105-1451BX	Left Control Panel Angle	X	X	X	X
18	543-221-*BX ①	Heater Access Cover	X	X	X	X
18	543-228BX ②	Heater Access Cover	0	0	0	0
18	543-229BX ③	Heater Access Cover	0	0	0	0
19	507-382-*BX ①	Top	X	X	X	X
19	507-391BX ②	Top	0	0	0	0
19	507-392BX ③	Top	0	0	0	0
20	109-412BX	Lower Back	X	X		
20	109-418BX	Lower Back	0	0		
20	109-422BX ③	Lower Back	0	0		
20	109-414BX	Lower Back			X	X
20	109-420BX	Lower Back			0	0
20	109-424BX ③	Lower Back			0	0
21	509-411BX	Upper Back	X	X		
21	509-417BX	Upper Back	0	0		
21	509-421BX ③	Upper Back	0	0		
21	509-413BX	Upper Back			X	X
21	509-419BX	Upper Back			0	0
21	509-423BX ③	Upper Back			0	0
22	111-299BX	Outlet Air Frame Assembly	X	X	X	X
23	535-129BX	Heat Shield	X	X	X	X
24	113-150-*BX ①	Top Rain Flashing	X	X	X	X
24	113-150-4BX ②	Top Rain Flashing	0	0	0	0
24	113-359BX ③	Top Rain Flashing	0	0	0	0
25	539-406BX	Fresh Air Damper Assembly	X	X	X	X
25	543-222BX	Intake Blank-Off Plate	0	0	0	0
26	543-220BX	Exhaust Blank-Off Plate	X	X	X	X
27	543-248-*BX ①	Access Cover	X	X	X	X
27	543-250BX ②	Access Cover	0	0	0	0
27	543-251BX ③	Access Cover	0	0	0	0
28	5252-033BX	Bard Nameplate	X	X	X	X

NS = Not Shown

- ① Exterior cabinet parts are manufactured with various paint color options. To ensure the proper paint color is received, include the complete model and serial number of the unit for which cabinet parts are being ordered.
- ② Exterior cabinet parts are manufactured from aluminum Code "A"  
**NOTE:** #24 - Top rain flashing not available in aluminum; order 113-150-4 (Gray).
- ③ Exterior cabinet parts are manufactured from stainless steel Code "S"

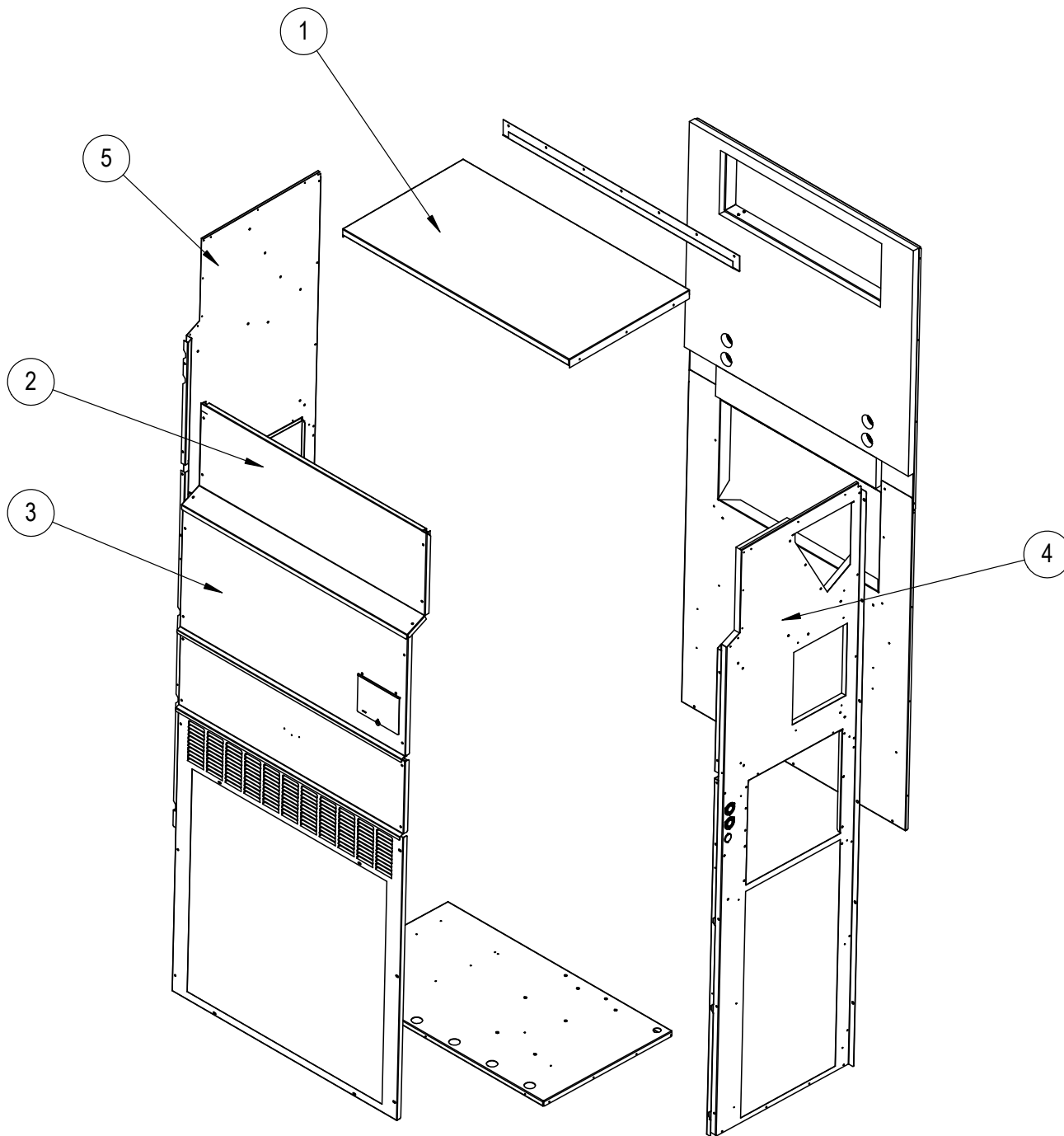
X – Standard Component  
O – Optional Component

**Refer to drawing on page 2**

*This page intentionally left blank*

# EXTERNAL PARTS - RECESSED CABINET

---



SEXP-1088

## EXTERNAL PARTS – RECESSED CABINET

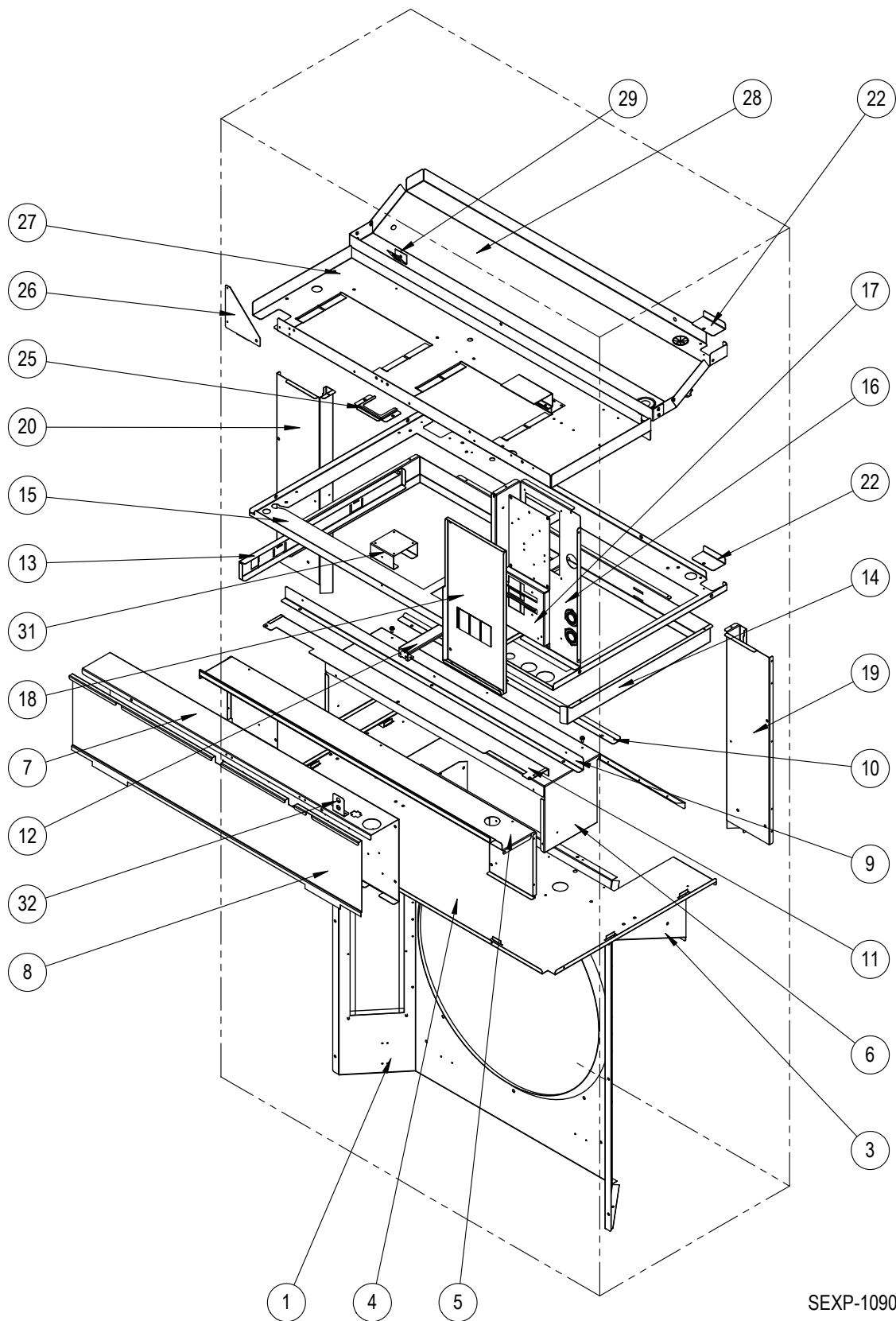
---

Drawing No.	Part Number	Description	C36HY-A, B, C	C42HY-A, B, C	C48HY-A, B, C	C60HY-A, B, C
1	507-413-*BX ①	Top	X	X	X	X
2	515-354-*BX ①	Upper Front	X	X		
2	515-356-*BX ①	Upper Front			X	X
3	515-355-*BX ①	Center Front	X	X		
3	515-357-*BX ①	Center Front			X	X
4	501-1142-*BX ①	Right Side Assembly	X	X		
4	501-1144-*BX ①	Right Side Assembly			X	X
5	501-1143-*BX ①	Left Side Assembly	X	X		
5	501-1145-*BX ①	Left Side Assembly			X	X

- ① Exterior cabinet parts are manufactured with various paint color options. To ensure the proper paint color is received, include the complete model and serial number of the unit for which cabinet parts are being ordered.

**NOTE:** The replacement cabinet parts listed above are specific to the recessed unit C36/42/48/60HY heat pump models. All other replacement cabinet external parts for these models are referenced on pages 2, 3 and 4.

# INTERNAL PARTS - STANDARD & RECESSED



SEXP-1090



## INTERNAL PARTS - STANDARD & RECESSED

Dwg. No.	Part Number	Description	C36HY-A	C36HY-B	C36HY-C	C42HY-A	C42HY-B	C42HY-C	C48HY-A	C48HY-B	C48HY-C	C60HY-A	C60HY-B	C60HY-C
1	921-0120BX	Fan Shroud - Draw Thru	X	X	X	X	X	X						
1	921-0121BX	Fan Shroud - Draw Thru							X	X	X	X	X	X
1	921-0122BX	Fan Shroud - Blow Thru	X	X	X	X	X	X						
1	921-0123BX	Fan Shroud - Blow Thru							X	X	X	X	X	X
1	921-0124BX ①	Fan Shroud - Draw Thru	O	O	O	O	O	O						
1	921-0125BX ①	Fan Shroud - Draw Thru							O	O	O	O	O	O
1	921-0126BX ①	Fan Shroud - Blow Thru	O	O	O	O	O	O						
1	921-0127BX ①	Fan Shroud - Blow Thru							O	O	O	O	O	O
3	121-586BX	Condenser Partition Insert	X	X	X	X	X	X	X	X	X	X	X	X
3	121-600BX ①	Condenser Partition Insert	O	O	O	O	O	O	O	O	O	O	O	O
4	121-585BX	Condenser Partition	X	X	X	X	X	X	X	X	X	X	X	X
4	121-599BX ①	Condenser Partition	O	O	O	O	O	O	O	O	O	O	O	O
5	521-630BX	Front Exhaust Partition	X	X	X	X	X	X	X	X	X	X	X	X
6	521-587BX	Exhaust Partition	X	X	X	X	X	X	X	X	X	X	X	X
7	Control Panel Assy.	See <b>Control Panel</b> on pages 14 – 16	X	X	X	X	X	X	X	X	X	X	X	X
8	133-330BX	Control Panel Cover (Inner)	X	X	X	X	X	X	X	X	X	X	X	X
9	105-1453BX	Front Vent Guide Rail	X	X	X	X	X	X	X	X	X	X	X	X
10	105-1452BX	Vent Guide Rail	X	X	X	X	X	X	X	X	X	X	X	X
11	135-409BX	Field Wire Shield	X	X	X	X	X	X	X	X	X	X	X	X
12	131-168BX	Filter Support Bracket	X	X	X	X	X	X	X	X	X	X	X	X
13	131-170BX	Filter Slide	X	X	X	X	X	X	X	X	X	X	X	X
14	131-169BX	Filter Rack Frame	X	X	X	X	X	X	X	X	X	X	X	X
15	121-583BX	Filter Partition	X	X	X	X	X	X	X	X	X	X	X	X
16	117-412BX	Upper Control Panel	X	X	X	X	X	X	X	X	X	X	X	X
17	127-575BX	Circuit Breaker Base - 230V	X	X		X	X		X	X		X	X	
17	127-585BX	Circuit Breaker Base - 460V			X			X			X			X
18	133-303BX	Upper Control Panel Cover	X	X		X	X		X	X		X	X	
18	133-304BX	Upper Control Panel Cover			X			X			X			X
19	135X393BX	Right Copper Chase	X	X	X	X	X	X	X	X	X	X	X	X
19	135X397BX ①	Right Copper Chase	O	O	O	O	O	O	O	O	O	O	O	O
20	135Y393BX	Left Copper Chase	X	X	X	X	X	X	X	X	X	X	X	X
20	135-398BX ①	Left Copper Chase	O	O	O	O	O	O	O	O	O	O	O	O
22	137-920BX	Copper Fill Plate	2	2	2	2	2	2	2	2	2	2	2	2
25	113-765BX	Grommet Retainer Bracket	X	X	X	X	X	X	X	X	X	X	X	X
26	141-492BX	Blower Partition Support	X	X	X	X	X	X	X	X	X	X	X	X
27	121-582BX	Blower Partition	X	X	X	X	X	X	X	X	X	X	X	X
28	523-161BX	Drain Pan Assembly	X	X	X	X	X	X	X	X	X	X	X	X
28	523-162BX ①②	Drain Pan Assembly	O	O	O	O	O	O	O	O	O	O	O	O
29	113-967BX	TXV Bracket	X	X	X	X	X	X	X	X	X	X	X	X
31	113-788BX	Filter Switch Bracket	O	O	O	O	O	O	O	O	O	O	O	O
32	113-789BX	Filter Switch Light Bracket	O	O	O	O	O	O	O	O	O	O	O	O
NS	113-324BX	Transformer Mounting Plate			X			X			X			X
NS	113-381BX	TXV Bulb Bracket	X	X	X	X	X	X	X	X	X	X	X	X
NS	113-809BX	Heating Expansion Valve Bracket	X	X	X	X	X	X	X	X	X	X	X	X

NS = Not Shown

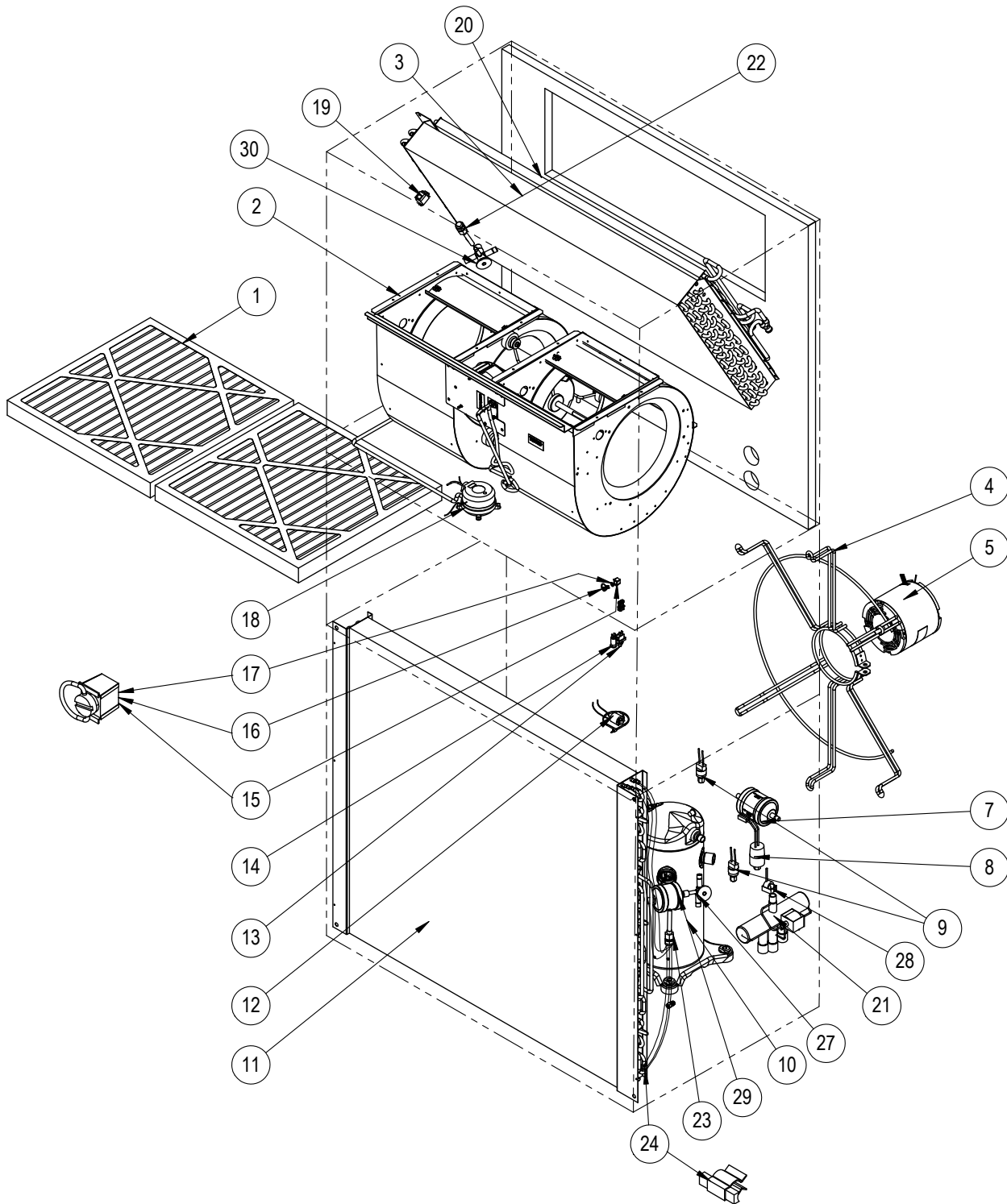
① Exterior cabinet parts are manufactured from stainless steel Code "S"

② For aluminum units, order 523-162 stainless steel drain pan.

X – Standard Component

O – Optional Component

# FUNCTIONAL COMPONENTS – STANDARD & RECESSED



SEXP-1089

This drawing to be used for reference for pages 11 and 12

# FUNCTIONAL COMPONENTS – STANDARD & RECESSED

Dwg. No.	Part Number	Description	C36HY-A	C36HY-B	C36HY-C	C42HY-A	C42HY-B	C42HY-C	C48HY-A	C48HY-B	C48HY-C	C60HY-A	C60HY-B	C60HY-C
1	7004-012	Air Filter 1" Throw-Away (20 x 20 x 1)	2	2	2	2	2	2	2	2	2	2	2	2
1	7003-085 ①	Air Filter 1" Washable (20 x 20 x 1)	2	2	2	2	2	2	2	2	2	2	2	2
1	7004-052 ①	Air Filter 2" Merv 8 (20 x 20 x 2)	2	2	2	2	2	2	2	2	2	2	2	2
1	7004-060 ①	Air Filter 2" Merv 11 (20 x 20 x 2)	2	2	2	2	2	2	2	2	2	2	2	2
1	7004-063 ①	Air Filter 2" Merv 13 (20 x 20 x 2)	2	2	2	2	2	2	2	2	2	2	2	2
2	900-398-0237BX	Blower Assembly	X	X	X									
2	900-398-0238BX	Blower Assembly				X	X	X						
2	900-397-0239BX	Blower Assembly							X	X	X			
2	900-397-0240BX	Blower Assembly										X	X	X
3	917-0405BX	Indoor Coil w/Distributor Assy.	X	X	X									
3	917-0406BX	Indoor Coil - Coated w/Distributor Assy.	O	O	O									
3	917-0409BX	Indoor Coil w/Distributor Assy.				X	X	X						
3	917-0410BX	Indoor Coil - Coated w/Distributor Assy.				O	O	O						
3	917-0376BX	Indoor Coil w/Distributor Assy.							X	X	X	X	X	X
3	917-0377BX	Indoor Coil - Coated w/Distributor Assy.							O	O	O	O	O	O
4	8200-049BX	Fan Motor Mount	X	X	X	X	X	X	X	X	X	X	X	X
4	8200-052BX ②	Fan Motor Mount - Stainless Steel	O	O	O	O	O	O	O	O	O	O	O	O
5	8105-078BX	Condenser Motor - 230V	X	X		X	X		X	X				
5	8105-071BX	Condenser Motor - 460V			X			X			X			
5	8106-053-0241BX	Programmed Condenser Motor & Control (230/208V)										X	X	
5	8106-081-0253BX	Programmed Condenser Motor & Control (460V)												X
6	5151-054BX	Fan Blade	X	X	X	X	X	X	X	X	X	X	X	X
6	5151C054BX	Fan Blade - Coated	O	O	O	O	O	O	O	O	O	O	O	O
6	5151-060BX	Fan Blade	X	X	X	X	X	X	X	X	X	X	X	X
6	5151C060BX	Fan Blade - Coated	O	O	O	O	O	O	O	O	O	O	O	O
7	5201-020BX	H/P Liquid Filter Drier	X	X	X	X	X	X	X	X	X	X	X	X
8	CMH-40	Low Ambient Control (LAC) Kit	O	O	O	O	O	O	O	O	O	O	O	O
9	8406-142BX	High Pressure Switch	X	X	X	X	X	X	X	X	X	X	X	X
9	8406-135BX	Low Pressure Switch	X	X	X	X	X	X	X	X	X	X	X	X
10	8000-440BX	Compressor ZPS30K6E-PFV-130	X											
10	8000-442BX	Compressor ZPS30K6E-TF5-130		X										
10	8000-452BX	Compressor ZPS30K6E-TFD-130			X									
10	8000-391BX	Compressor ZPS35K5E-PFV-130				X								
10	8000-392BX	Compressor ZPS35K5E-TF5-130					X							
10	8000-393BX	Compressor ZPS35K5E-TFD-130						X						
10	8000-453BX	Compressor ZPS40K6E-PFV-130							X					
10	8000-454BX	Compressor ZPS40K6E-TF5-130								X				
10	8000-455BX	Compressor ZPS40K6E-TFD-130									X			
10	8000-449BX	Compressor ZPS51K6E-PFV-130										X		
10	8000-450BX	Compressor ZPS51K6E-TF5-130											X	
10	8000-451BX	Compressor ZPS51K6E-TFD-130												X
11	917-0413BX	Outdoor Coil (Includes Distributor)	X	X	X									
11	917-0414BX	Outdoor Coil - Coated (Includes Distributor)	O	O	O									
11	917-0415BX	Outdoor Coil (Includes Distributor)				X	X	X						
11	917-0416BX	Outdoor Coil - Coated (Includes Distributor)				O	O	O						
11	917-0417BX	Outdoor Coil (Includes Distributor)							X	X	X	X	X	X
11	917-0418BX	Outdoor Coil - Coated (Includes Distributor)							O	O	O	O	O	O
13	3000-1638BX	Wire Assembly - Dirty Filter Option	O	O	O	O	O	O	O	O	O	O	O	O
14	8611-094BX	Red Indicator Light - 24VAC	O	O	O	O	O	O	O	O	O	O	O	O
15	1171-023	1/4 Turn Receptacle	X	X	X	X	X	X	X	X	X	X	X	X
16	1171-022	1/4 Turn Fastener	X	X	X	X	X	X	X	X	X	X	X	X

Continued on page 12

① – Optional on these models

② – Used with stainless steel cabinet option

X – Standard Component

O – Optional Component

# FUNCTIONAL COMPONENTS – STANDARD & RECESSED

Dwg. No.	Part Number	Description	C36HY-A	C36HY-B	C36HY-C	C42HY-A	C42HY-B	C42HY-C	C48HY-A	C48HY-B	C48HY-C	C60HY-A	C60HY-B	C60HY-C
<i>Continued from page 11</i>														
17	1171-024	1/4 Turn Retainer	X	X	X	X	X	X	X	X	X	X	X	X
18	8301-057	Filter Pressure Switch	O	O	O	O	O	O	O	O	O	O	O	O
19	CMC-29	Freeze Protection Thermostat	O	O	O	O	O	O	O	O	O	O	O	O
21	5650-040BX	Reversing Valve	X	X	X	X	X	X	X	X	X	X	X	X
22	800-0461BX	Distributor Assembly - Indoor Coil	X	X	X									
22	800-0424BX	Distributor Assembly - Indoor Coil				X	X	X						
22	800-0455BX	Distributor Assembly - Indoor Coil							X	X	X	X	X	X
23	800-0424BX	Distributor Assembly - Outdoor Coil	X	X	X									
23	800-0467BX	Distributor Assembly - Outdoor Coil				X	X	X						
23	800-0455BX	Distributor Assembly - Outdoor Coil							X	X	X	X	X	X
24	8620-225	Defrost Thermistor Sensor	X	X	X	X	X	X	X	X	X	X	X	X
27	5651-210BX	Heating Expansion Valve	X	X	X									
27	5651-225BX	Heating Expansion Valve				X	X	X						
27	5651-211BX	Heating Expansion Valve							X	X	X	X	X	X
28	8408-039BX	Discharge Line Thermostat	X	X	X	X	X	X	X	X	X	X	X	X
29	5220-013BX	Pulsation Dampener/Muffler	X	X	X	X	X	X	X	X	X	X	X	X
30	5651-210BX	Cooling Expansion Valve	X	X	X									
30	5651-225BX	Cooling Expansion Valve				X	X	X						
30	5651-252BX	Cooling Expansion Valve							X	X	X	X	X	X
NS	CMC-33	Dirty Filter Switch Kit = Item #'s 13,14,18	O	O	O	O	O	O	O	O	O	O	O	O
NS	5650-042BX	Rev. Valve Solenoid, Red Casing (Ranco)	X	X	X	X	X	X	X	X	X	X	X	X
NS	5650-046BX	Rev. Valve Solenoid, Black Casing (San Hua)	X	X	X	X	X	X	X	X	X	X	X	X
NS	5451-024	Tubing Isolation Grommet	2	2	2	4	4	4	2	2	2	4	4	4
NS	6031-009	Coremax Valve Core	2	2	2	2	2	2	2	2	2	2	2	2
NS	1171-028	Control Panel Door Clip	4	4	4	4	4	4	4	4	4	4	4	4
NS	1171-057	Control Panel Door Screw	4	4	4	4	4	4	4	4	4	4	4	4
NS	1171-027	Control Panel Door Screw Retainer	4	4	4	4	4	4	4	4	4	4	4	4
NS	5650-054	Molded Plug for Rev/Dehum Valves	X	X	X	X	X	X	X	X	X	X	X	X
NS	910-2188BX	460V Transformer Assembly			X			X			X			
NS	910-2220BX	460V Transformer Assembly												X

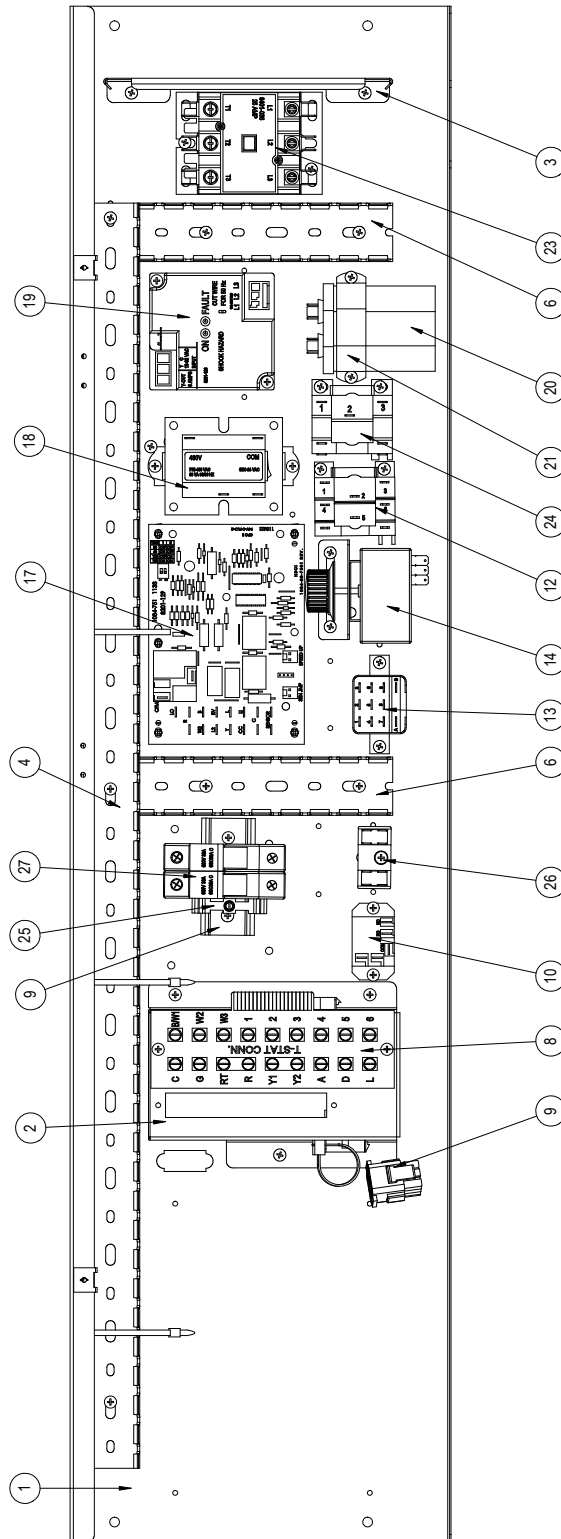
NS = Not Shown

X – Standard Component  
O – Optional Component

**Refer to drawing on page 10**

*This page intentionally left blank*

# CONTROL PANEL – STANDARD & RECESSED



SEXP-1091

This drawing to be used for reference for pages 15 and 16

## CONTROL PANEL - STANDARD & RECESSED

Dwg. No.	Part Number	Description	C36HY-A	C36HY-B	C36HY-C	C42HY-A	C42HY-B	C42HY-C	C48HY-A	C48HY-B	C48HY-C	C60HY-A	C60HY-B	C60HY-C
1	117-452BX	Control Panel	X	X	X	X	X	X	X	X	X	X	X	X
2	910-2061BX	Complete Low Voltage Box Assembly (Sheet metal, Terminal Strip & Wire Harness)	X	X	X	X	X	X	X	X	X	X	X	X
3	135-394BX	Wire Shield	X	X	X	X	X	X	X	X	X	X	X	X
4	8611-244-3208	Cable Duct - 32.5"	X	X	X	X	X	X	X	X	X	X	X	X
6	8611-244-0608	Cable Duct - 6.5"	2	2	2	2	2	2	2	2	2	2	2	2
8	8607-063BX	Low Voltage Terminal Strip - 18 Terminal	X	X	X	X	X	X	X	X	X	X	X	X
9	3000-1524BX	Vent Jumper Plug (used when no vent option)	X	X	X	X	X	X	X	X	X	X	X	X
10	8201-130BX	Alarm Relay (Kit = CMC-35)	0	0	0	0	0	0	0	0	0	0	0	0
12	CMH-41	OD T-Stat/LAC Relay Kit	0	0	0	0	0	0	0	0	0	0	0	0
13	8201-159BX	Dirty Filter Relay (Kit = CMC-33)	0	0	0	0	0	0	0	0	0	0	0	0
14	8408-028BX	Outdoor Thermostat (ODT Kit = CMH-36)	0	0	0	0	0	0	0	0	0	0	0	0
17	8620-223	Defrost Logic Control Board w/Sensor	X	X	X	X	X	X	X	X	X	X	X	X
18	8407-050BX	Transformer 480-24VAC 75VA			X			X			X			X
18	8407-065BX	Transformer 208/240-24VAC 75VA	X	X		X	X		X	X		X	X	
19	8201-174BX	3 Phase Line Monitor 50/60Hz		X	X		X	X		X	X		X	X
20	8552-004BX	Capacitor 7-1/2MFD 370V 1-1/4" O			X			X			X			
20	8552-005BX	Capacitor 10MFD 370V 1-1/4" O		X			X			X				
20	8552-057BX	Capacitor 35/10 MFD 440V 2.5" R							X					
20	8552-079BX	Capacitor 45/10 MFD 370V 2.5" R	X			X								
20	8552-096BX	Capacitor 40MFD 440V 2" R										X		
21	8550-003BX	Capacitor Bracket 1-1/4" Oval		X	X		X	X		X	X			
21	8550-007BX	Capacitor Bracket 2" Round										X		
21	8550-008BX	Capacitor Bracket 2-1/2" Round	X			X			X					
23	8401-035BX	Contactors 3-Pole 25 Amp		X	X		X	X		X	X		X	X
23	8401-034BX	Contactors 2-Pole 40 Amp	X			X			X			X		
24	8201-032BX	Outdoor Fan Relay			X			X			X			
24	8201-130BX	Outdoor Fan Relay (located where 3-phase monitor or capacitor device shown)										X	X	X
25	8611-144BX	End Clamp for DIN Rail			X			X			X			X
26	8607-017BX	Terminal Block 240V 2 Terminal			X			X			X			X
27	8614-058BX	2-Pole Enclosed Fuse Holder			X			X			X			X
NS	8615-037BX	Circuit Breaker 30A 2 Pole ①	0											
NS	8615-038BX	Circuit Breaker 35A 2 Pole ①				0				0				
NS	8615-055BX	Circuit Breaker 40A 2 Pole ①								0				
NS	8615-039BX	Circuit Breaker 45A 2 Pole ①										0		
NS	8615-051BX	Circuit Breaker 25A 3 Pole ①		0										
NS	8615-052BX	Circuit Breaker 30A 3 Pole ①				0				0				
NS	8615-043BX	Circuit Breaker 40A 3 Pole ①											0	
NS	8615-095BX	Toggle Disconnect			0			0			0			0
NS	8615-096BX	Disconnect Cover			0			0			0			0

Continued on page 16

NS = Not Shown

X – Standard Component

① Circuit breakers listed are for units without electric heat, "0Z" models.

0 – Optional Component

See heater replacement parts manual for units with electric heat.

# CONTROL PANEL – STANDARD & RECESSED

Dwg. No.	Part Number	Description	C36HY-A	C36HY-B	C36HY-C	C42HY-A	C42HY-B	C42HY-C	C48HY-A	C48HY-B	C48HY-C	C60HY-A	C60HY-B	C60HY-C
<i>Continued from page 15</i>														
NS	4096-185	Wiring Diagram	X			X			X					
NS	4096-186	Wiring Diagram										X		
NS	4096-285	Wiring Diagram		X			X			X				
NS	4096-286	Wiring Diagram											X	
NS	4096-385	Wiring Diagram			X			X			X			
NS	4096-386	Wiring Diagram												X
NS	3000-1706BX	Blower Power Plug	X	X	X	X	X	X	X	X	X	X	X	X
NS	3000-1732BX	Blower Speed Plug	X	X	X	X	X	X	X	X	X	X	X	X
NS	3000-1222BX	Compressor Plug/Harness	X			X			X			X		
NS	3000-1230BX	Compressor Plug/Harness		X	X		X	X		X	X		X	X
NS	3000-1223BX	Compressor Plug/Harness - Stage 2 Plug	X	X	X	X	X	X	X	X	X	X	X	X
NS	3003-116BX	Control Panel Wire Harness	X			X			X					
NS	3003-117BX	Control Panel Wire Harness		X			X			X				
NS	3003-118BX	Control Panel Wire Harness			X			X			X			
NS	3003-119BX	Control Panel Wire Harness										X		
NS	3003-120BX	Control Panel Wire Harness											X	X
NS	8551-004BX	Start Device (PTCR) (Kit = CMC-32)	O			O			O			O		
NS	3000-1693BX	Low Voltage Terminal Block Wire Harness	X	X	X	X	X	X	X	X	X	X	X	X
NS	8614-046BX	5A Class CC Fuse - (used in with Dwg. No. 27)			2			2			2			
NS	8614-042BX	7A Class CC Fuse - (used in with Dwg. No. 27)												2

NS = Not Shown

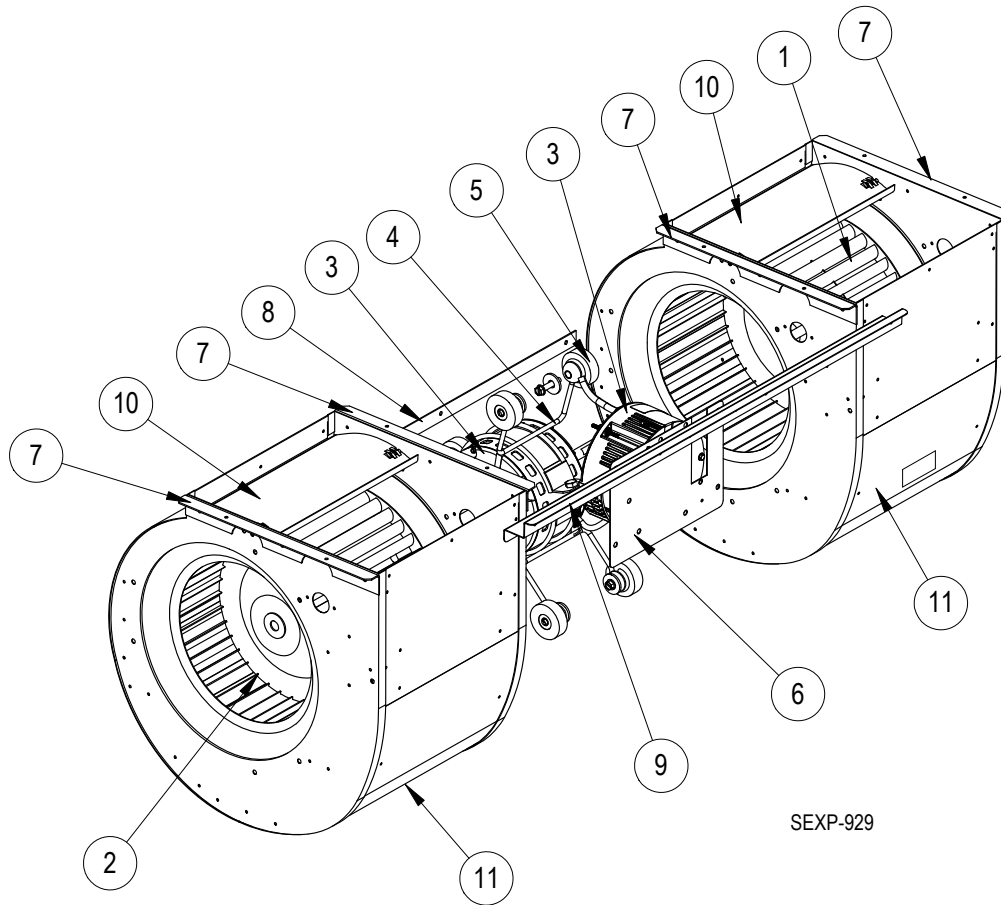
X – Standard Component

O – Optional Component

Refer to drawing on page 14



# BLOWER ASSEMBLY



SEXP-929

Dwg No.	Part Number	Description	900-398-0237BX	900-398-0238BX	900-397-0239BX	900-397-0240BX
1	5152-011BX	10 Inch Wheel (CW)	X	X	X	X
2	5152-012BX	10 Inch Wheel (CCW)	X	X	X	X
3	8106-073-0237BX	Programmed Blower Motor & Control (230/208V)	X			
3	8106-073-0238BX	Programmed Blower Motor & Control (230/208V)		X		
3	8107-032-0239BX	Programmed Blower Motor & Control (230/208V)			X	
3	8107-032-0240BX	Programmed Blower Motor & Control (230/208V)				X
4	8200-040BX	Motor Mount	X	X	X	X
5	5451-011	Grommets	6	6	6	6
6	112-775BX	Motor Control Bracket	X	X	X	X
7	105-880BX	Side Angle	4	4	4	4
8	105-881BX	Back Brace	X	X	X	X
9	103-541BX	Front Mounting Offset	X	X	X	X
10	144-166BX	Diffuser	2	2	2	2
11	151-101BX	Blower Housing	2	2	2	2