

---

# REPLACEMENT PARTS MANUAL

---

## Wall Mount Heat Pump

### Models:

W42HY-A	W48HY-A	W60HY-A
W42HY-B	W48HY-B	W60HY-B
W42HY-C	W48HY-C	W60HY-C
W42HYDA	W48HYDA	W60HYDA
W42HYDB	W48HYDB	W60HYDB
W42HYDC	W48HYDC	W60HYDC

---

### Contents

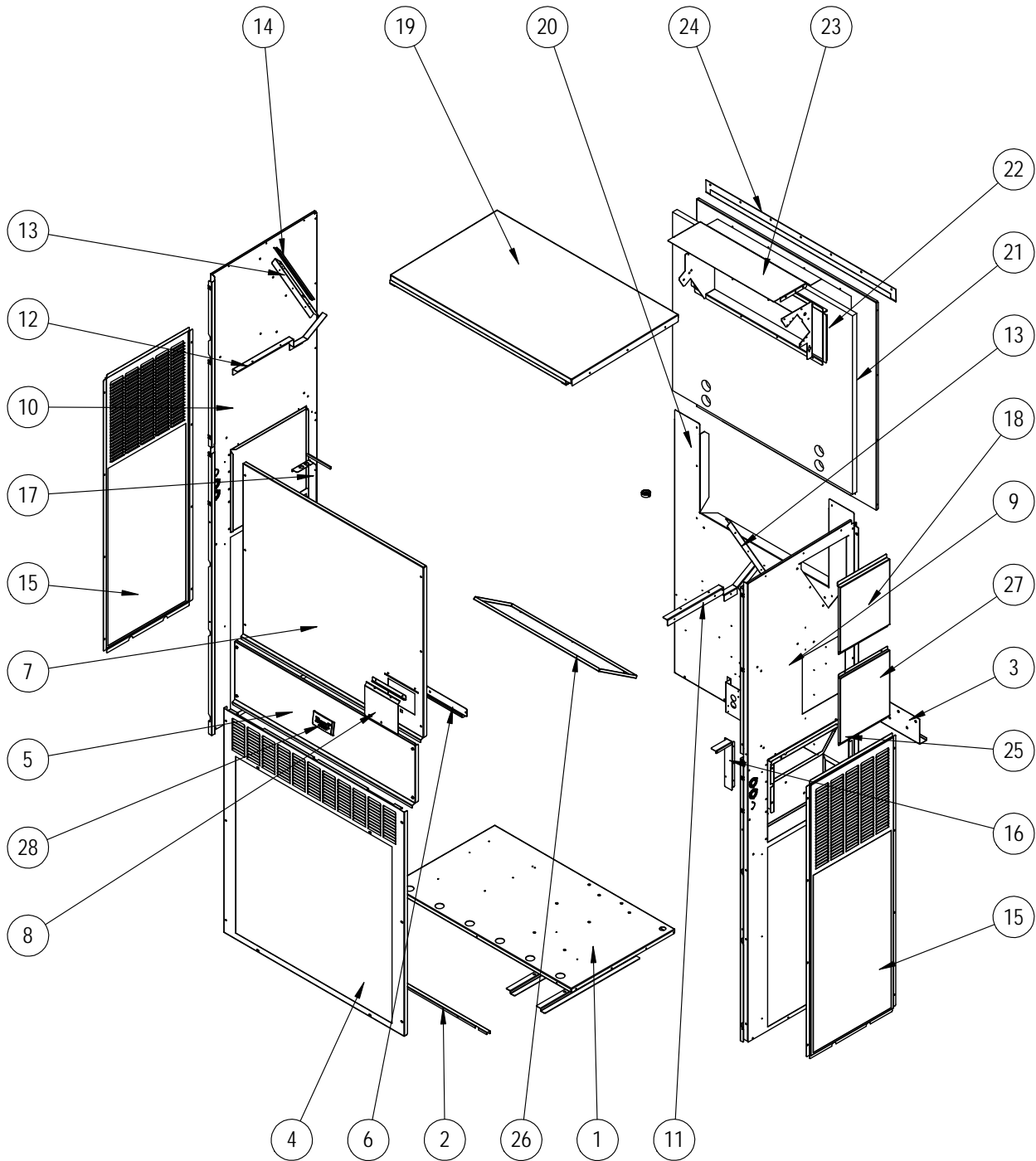
Description	Page	Description	Page
External Parts – Standard & Dehum.		Control Panel – Standard & Dehum.	
♦ Exploded View .....	2	♦ Layout View .....	16
♦ Usage List .....	3	♦ Usage List .....	17
♦ Usage List .....	4	Blower Assembly	
External Parts – Recessed Cabinet		♦ Exploded View .....	18
♦ Exploded View .....	6	♦ Usage List .....	18
♦ Usage List .....	7	<b>General Notes</b>	
Internal Parts – Standard & Dehum.		➤ Revised and/or additional pages may be issued from time to time.	
♦ Exploded View .....	8	➤ A complete and current manual consists of pages shown in the following contents section.	
♦ Usage List .....	9	<b>Important</b>	
♦ Usage List .....	10	➤ Contact the installing and/or local Bard distributor for all parts requirements. Make sure to have the complete model and serial number available from the unit rating plates.	
Functional Components – Standard & Dehum.			
♦ Exploded View .....	12		
♦ Usage List .....	13		
♦ Usage List .....	14		
EEV Controller Assembly			
♦ Exploded View .....	15		
♦ Usage List .....	15		



Bard Manufacturing Company, Inc.  
Bryan, Ohio 43506  
www.bardhvac.com

Manual: 2110-1578  
Supersedes: **NEW**  
Date: 7-11-23

# EXTERNAL PARTS – STANDARD & DEHUMIDIFICATION



SEXP-1099

This drawing to be used for reference for pages 3 and 4

## EXTERNAL PARTS – STANDARD & DEHUMIDIFICATION

Dwg No.	Part Number	Description	W42HY-A, B, C	W42HYDA, B, C	W48HY-A, B, C	W48HYDA, B, C	W60HY-A, B, C	W60HYDA, B, C
1	127-574BX	Unit Base	X	X	X	X	X	X
1	127-574BX ③	Unit Base	0	0	0	0	0	0
2	113-762BX	Front Base Bracket	X	X	X	X	X	X
2	113-797BX ③	Front Base Bracket	0	0	0	0	0	0
3	113-140BX	Bottom Mounting Bracket	X	X	X	X	X	X
4	119-125-*BX ①	Front Grille	X	X	X	X		
4	119-148BX ②	Front Grille	0	0	0	0		
4	119-135BX ③	Front Grille	0	0	0	0		
4	119-127-*BX ①	Front Grille					X	X
4	119-149BX ②	Front Grille					0	0
4	119-137BX ③	Front Grille					0	0
5	533-301-*BX ①	Control Panel Cover (Outer)	X	X	X	X	X	X
5	533-309BX ②	Control Panel Cover (Outer)	0	0	0	0	0	0
5	533-310BX ③	Control Panel Cover (Outer)	0	0	0	0	0	0
6	165-608-*BX ①	Rain Channel	X	X	X	X	X	X
6	165-609BX ②	Rain Channel	0	0	0	0	0	0
6	165-610BX ③	Rain Channel	0	0	0	0	0	0
7	515-323-*BX ①	Upper Front	X	X	X	X		
7	515-328BX ②	Upper Front	0	0	0	0		
7	515-330BX ③	Upper Front	0	0	0	0		
7	515-324-*BX ①	Upper Front					X	X
7	515-329BX ②	Upper Front					0	0
7	515-331BX ③	Upper Front					0	0
8	153-717-*BX ①	Disconnect Access Door	X	X	X	X	X	X
8	153-723BX ②	Disconnect Access Door	0	0	0	0	0	0
8	153-724BX ③	Disconnect Access Door	0	0	0	0	0	0
9	501-1127-*BX ①	Right Side	X	X	X	X		
9	501-1128BX ②	Right Side	0	0	0	0		
9	501-1129BX ③	Right Side	0	0	0	0		
9	501-1130-*BX ①	Right Side					X	X
9	501-1131BX ②	Right Side					0	0
9	501-1132BX ③	Right Side					0	0
10	501-1054-*BX ①	Left Side	X	X	X	X		
10	501-1073BX ②	Left Side	0	0	0	0		
10	501-1077BX ③	Left Side	0	0	0	0		
10	501-1056-*BX ①	Left Side					X	X
10	501-1075BX ②	Left Side					0	0
10	501-1079BX ③	Left Side					0	0
11	105X1454BX	Right Support Angle	X	X	X	X	X	X
12	105Y1454BX	Left Support Angle	X	X	X	X	X	X
13	105-1457BX	Coil Support	2	2	2	2		
13	105-1455BX	Coil Support					2	2
14	147-055BX	Coil Support Offset	X	X	X	X		
14	147-054BX	Coil Support Offset					X	X

*Continued on page 4*

- ① Exterior cabinet parts are manufactured with various paint color options. To ensure the proper paint color is received, include the complete model and serial number of the unit for which cabinet parts are being ordered.
- ② Exterior cabinet parts are manufactured from aluminum Code "A"
- ③ Exterior cabinet parts are manufactured from stainless steel Code "S"

X – Standard Component  
O – Optional Component

# EXTERNAL PARTS – STANDARD & DEHUMIDIFICATION

Dwg No.	Part Number	Description	W42HY-A, B, C	W42HYDA, B, C	W48HY-A, B, C	W48HYDA, B, C	W60HY-A, B, C	W60HYDA, B, C
<i>Continued from page 3</i>								
15	119-126-*BX ①	Side Grille	2	2	2	2		
15	119-142BX ②	Side Grille	2	2	2	2		
15	119-136BX ③	Side Grille	2	2	2	2		
15	119-128-*BX ①	Side Grille					2	2
15	119-143BX ②	Side Grille					2	2
15	119-138BX ③	Side Grille					2	2
16	105-1450BX	Right Control Panel Angle	X	X	X	X	X	X
17	105-1451BX	Left Control Panel Angle	X	X	X	X	X	X
18	543-221-*BX ①	Heater Access Cover	X	X	X	X	X	X
18	543-228BX ②	Heater Access Cover	0	0	0	0	0	0
18	543-229BX ③	Heater Access Cover	0	0	0	0	0	0
19	507-382-*BX ①	Top	X	X	X	X	X	X
19	507-391BX ②	Top	0	0	0	0	0	0
19	507-392BX ③	Top	0	0	0	0	0	0
20	109-412BX	Lower Back	X	X	X	X		
20	109-418BX	Lower Back	0	0	0	0		
20	109-422BX ③	Lower Back	0	0	0	0		
20	109-414BX	Lower Back					X	X
20	109-420BX	Lower Back					0	0
20	109-424BX ③	Lower Back					0	0
21	509-411BX	Upper Back	X	X	X	X		
21	509-417BX	Upper Back	0	0	0	0		
21	509-421BX ③	Upper Back	0	0	0	0		
21	509-413BX	Upper Back					X	X
21	509-419BX	Upper Back					0	0
21	509-423BX ③	Upper Back					0	0
22	111-299BX	Outlet Air Frame Assembly	X	X	X	X	X	X
23	535-129BX	Heat Shield	X	X	X	X	X	X
24	113-150-*BX ①	Top Rain Flashing	X	X	X	X	X	X
24	113-150-4BX ②	Top Rain Flashing	0	0	0	0	0	0
24	113-359BX ③	Top Rain Flashing	0	0	0	0	0	0
25	539-406BX	Fresh Air Damper Assembly	X	X	X	X	X	X
25	543-222BX	Intake Blank-Off Plate	0	0	0	0	0	0
26	543-220BX	Exhaust Blank-Off Plate	X	X	X	X	X	X
27	543-248-*BX ①	Access Cover	X	X	X	X	X	X
27	543-250BX ②	Access Cover	0	0	0	0	0	0
27	543-251BX ③	Access Cover	0	0	0	0	0	0
28	5252-033BX	Bard Nameplate	X	X	X	X	X	X

NS = Not Shown

X – Standard Component

0 – Optional Component

① Exterior cabinet parts are manufactured with various paint color options. To ensure the proper paint color is received, include the complete model and serial number of the unit for which cabinet parts are being ordered.

② Exterior cabinet parts are manufactured from aluminum Code "A"  
**NOTE:** #24 - Top rain flashing not available in aluminum; order 113-150-4 (Buckeye Gray).

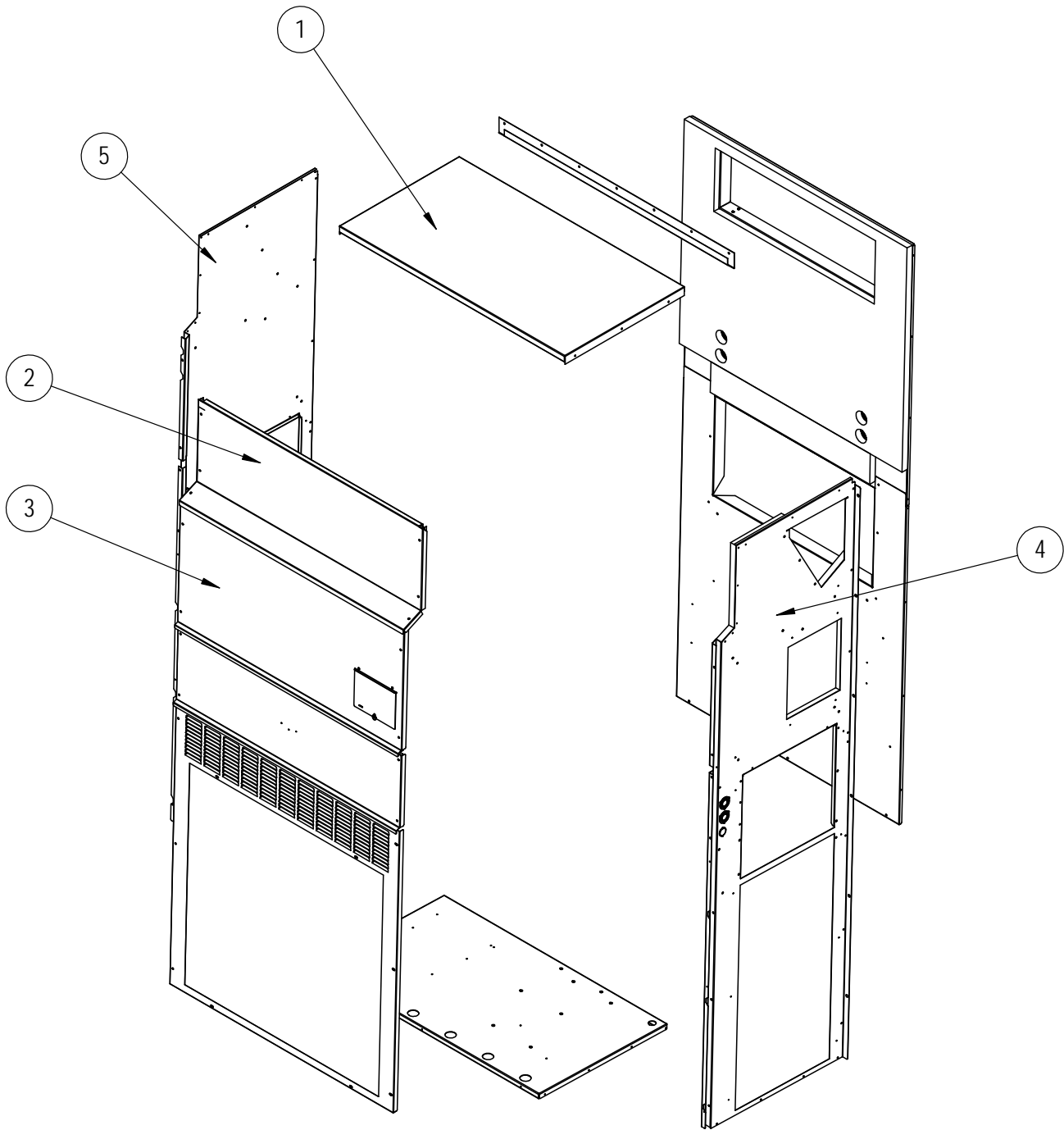
③ Exterior cabinet parts are manufactured from stainless steel Code "S"

**Refer to drawing on page 2**

*This page intentionally left blank*

# EXTERNAL PARTS - RECESSED CABINET

---



SEXP-1088

## EXTERNAL PARTS – RECESSED CABINET

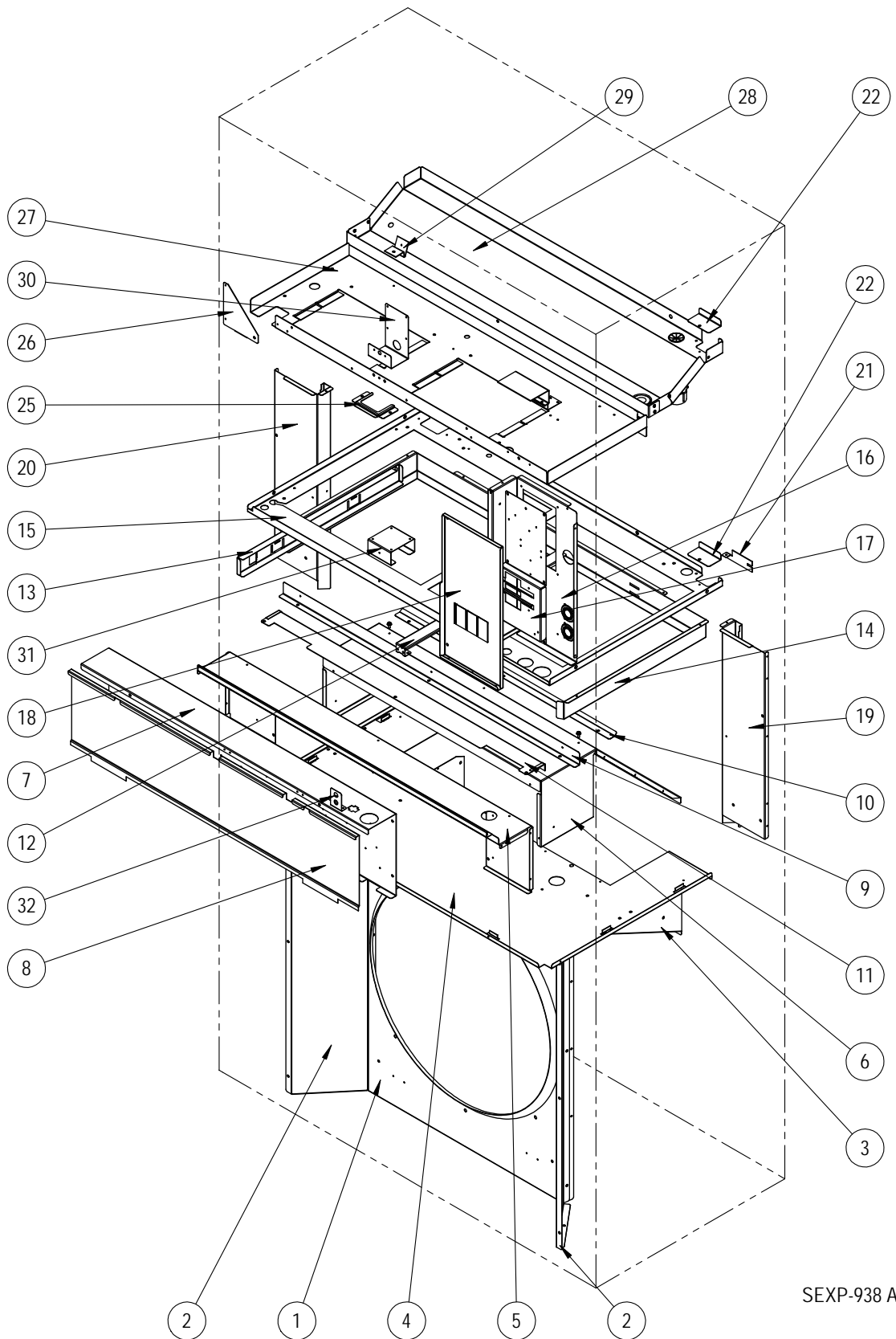
---

Drawing No.	Part Number	Description	W42HY-A, B, C	W48HY-A, B, C	W60HY-A, B, C
1	507-413-*BX ①	Top	X	X	X
2	515-354-*BX ①	Upper Front	X	X	
2	515-356-*BX ①	Upper Front			X
3	515-355-*BX ①	Center Front	X	X	
3	515-357-*BX ①	Center Front			X
4	501-1142-*BX ①	Right Side Assembly	X	X	
4	501-1144-*BX ①	Right Side Assembly			X
5	501-1143-*BX ①	Left Side Assembly	X	X	
5	501-1145-*BX ①	Left Side Assembly			X

① Exterior cabinet parts are manufactured with various paint color options. To ensure the proper paint color is received, include the complete model and serial number of the unit for which cabinet parts are being ordered.

**NOTE:** The replacement cabinet parts listed above are specific to the recessed unit W42/48/60HY heat pump models. All other replacement cabinet external parts for these models are referenced on pages 2, 3 and 4.

# INTERNAL PARTS – STANDARD & DEHUMIDIFICATION



SEXP-938 A



## INTERNAL PARTS – STANDARD & DEHUMIDIFICATION

Dwg No.	Part Number	Description	W42HY-A, B	W42HY-C	W42HYDA, B	W42HYDC	W48HY-A, B	W48HY-C	W48HYDA, B	W48HYDC
1	125-089BX	Fan Shroud	X	X	X	X	X	X	X	X
1	125-093BX ①	Fan Shroud	0	0	0	0	0	0	0	0
2	125-090BX	Fan Shroud Side Access Cover	2	2	2	2	2	2	2	2
2	125-094BX ①	Fan Shroud Side Access Cover	2	2	2	2	2	2	2	2
3	121-586BX	Condenser Partition Insert	X	X	X	X	X	X	X	X
3	121-600BX ①	Condenser Partition Insert	0	0	0	0	0	0	0	0
4	121-585BX	Condenser Partition	X	X	X	X	X	X	X	X
4	121-599BX ①	Condenser Partition	0	0	0	0	0	0	0	0
5	521-630BX	Front Exhaust Partition	X	X	X	X	X	X	X	X
6	521-587BX	Exhaust Partition	X	X	X	X	X	X	X	X
7	Control Panel Assy.	See <b>Control Panel</b> on pages 16 & 17	X	X	X	X	X	X	X	X
8	133-330BX	Control Panel Cover (Inner)	X	X	X	X	X	X	X	X
9	105-1453BX	Front Vent Guide Rail	X	X	X	X	X	X	X	X
10	105-1452BX	Vent Guide Rail	X	X	X	X	X	X	X	X
11	135-409BX	Field Wire Shield	X	X	X	X	X	X	X	X
12	131-168BX	Filter Support Bracket	2	2	2	2	2	2	2	2
13	131-170BX	Filter Slide	X	X	X	X	X	X	X	X
14	131-169BX	Filter Rack Frame	X	X	X	X	X	X	X	X
15	121-583BX	Filter Partition	X	X	X	X	X	X	X	X
16	117-412BX	Upper Control Panel	X	X	X	X	X	X	X	X
17	127-575BX	Circuit Breaker Base	X		X		X		X	
17	127-585BX	Circuit Breaker Base - 460V		X		X		X		X
18	133-303BX	Upper Control Panel Cover	X		X		X		X	
18	133-304BX	Upper Control Panel Cover - 460V		X		X		X		X
19	135X393BX	Right Copper Chase	X	X	X	X	X	X	X	X
19	135X397BX ①	Right Copper Chase	0	0	0	0	0	0	0	0
20	135Y393BX	Left Copper Chase	X	X	X	X	X	X	X	X
20	135Y397BX ①	Left Copper Chase	0	0	0	0	0	0	0	0
21	113-796BX	Copper Retainer	2	2	2	2	2	2	2	2
22	137-920BX	Copper Fill Plate	2	2	2	2	2	2	2	2
25	113-765BX	Grommet Retainer	X	X	X	X	X	X	X	X
26	141-492BX	Blower Partition Support	X	X	X	X	X	X	X	X
27	121-582BX	Blower Partition	X	X	X	X	X	X	X	X
28	523-161BX	Drain Pan	X	X	X	X	X	X	X	X
28	523-162BX ①②	Drain Pan	0	0	0	0	0	0	0	0
29	113-768BX	EEV mounting Bracket			X	X			X	X
30	113-787BX	Airflow Switch Bracket	0	0	0	0	0	0	0	0
31	113-788BX	Filter Switch Bracket	0	0	0	0	0	0	0	0
32	113-789BX	Filter Switch Light Bracket	0	0	0	0	0	0	0	0
NS	113-809BX	Heating Expansion Valve Bracket	X	X			X	X		
NS	113-381BX	TXV Bulb Bracket	X	X			X	X		

- ① Exterior cabinet parts are manufactured from stainless steel Code "S"  
 ② For aluminum units, order 523-162 stainless steel drain pan.

X – Standard Component  
 0 – Optional Component

# INTERNAL PARTS – STANDARD & DEHUMIDIFICATION

Dwg No.	Part Number	Description	W60HY-A, B	W60HY-C	W60HYDA, B	W60HYDC
1	125-091BX	Fan Shroud	X	X	X	X
1	125-095BX ①	Fan Shroud	0	0	0	0
2	125-092BX	Fan Shroud Side Access Cover	2	2	2	2
2	125-096BX ①	Fan Shroud Side Access Cover	2	2	2	2
3	121-586BX	Condenser Partition Insert	X	X	X	X
3	121-600BX ①	Condenser Partition Insert	0	0	0	0
4	121-585BX	Condenser Partition	X	X	X	X
4	121-599BX ①	Condenser Partition	0	0	0	0
5	521-630BX	Front Exhaust Partition	X	X	X	X
6	521-587BX	Exhaust Partition	X	X	X	X
7	Control Panel Assy.	See <b>Control Panel</b> on pages 16 & 17	X	X	X	X
8	133-330BX	Control Panel Cover (Inner)	X	X	X	X
9	105-1453BX	Front Vent Guide Rail	X	X	X	X
10	105-1452BX	Vent Guide Rail	X	X	X	X
11	135-409BX	Field Wire Shield	X	X	X	X
12	131-168BX	Filter Support Bracket	2	2	2	2
13	131-170BX	Filter Slide	X	X	X	X
14	131-169BX	Filter Rack Frame	X	X	X	X
15	121-583BX	Filter Partition	X	X	X	X
16	117-412BX	Upper Control Panel	X	X	X	X
17	127-575BX	Circuit Breaker Base	X		X	
17	127-585BX	Circuit Breaker Base - 460V		X		X
18	133-303BX	Upper Control Panel Cover	X		X	
18	133-304BX	Upper Control Panel Cover - 460V		X		X
19	135X393BX	Right Copper Chase	X	X	X	X
19	135X397BX ①	Right Copper Chase	0	0	0	0
20	135Y393BX	Left Copper Chase	X	X	X	X
20	135Y397BX ①	Left Copper Chase	0	0	0	0
21	113-796BX	Copper Retainer	2	2	2	2
22	137-920BX	Copper Fill Plate	2	2	2	2
25	113-765BX	Grommet Retainer	X	X	X	X
26	141-492BX	Blower Partition Support	X	X	X	X
27	121-582BX	Blower Partition	X	X	X	X
28	523-161BX	Drain Pan	X	X	X	X
28	523-162BX ①②	Drain Pan	0	0	0	0
29	113-768BX	EEV mounting Bracket			X	X
30	113-787BX	Airflow Switch Bracket	0	0	0	0
31	113-788BX	Filter Switch Bracket	0	0	0	0
32	113-789BX	Filter Switch Light Bracket	0	0	0	0
NS	113-809BX	Heating Expansion Valve Bracket	X	X		
NS	113-381BX	TXV Bulb Bracket	X	X		

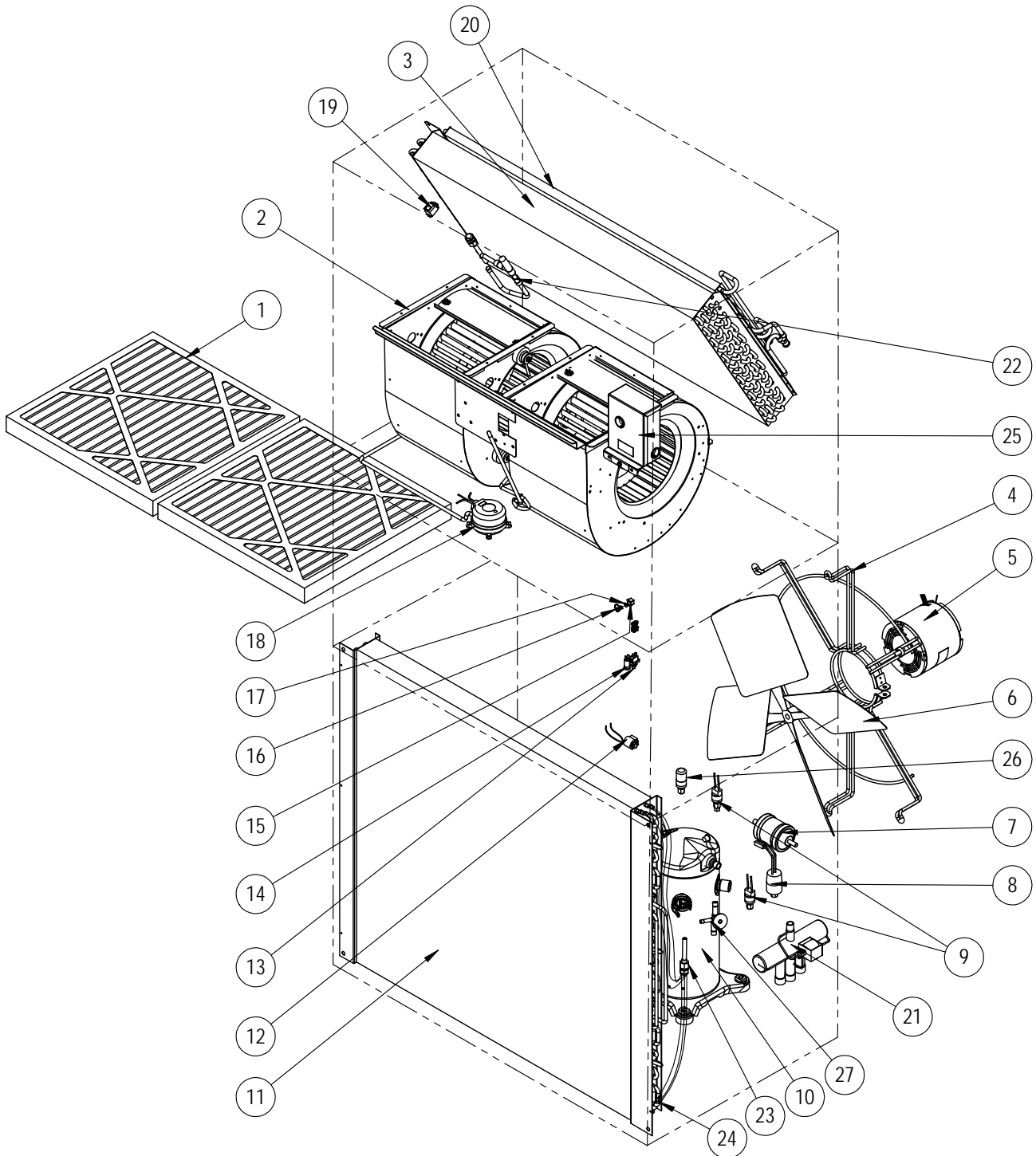
- ① Exterior cabinet parts are manufactured from stainless steel Code "S"  
 ② For aluminum units, order 523-162 stainless steel drain pan.

- X – Standard Component  
 0 – Optional Component

Refer to drawing on page 8

*This page intentionally left blank*

# FUNCTIONAL COMPONENTS – STANDARD & DEHUMIDIFICATION



SEXP-1001 A

This drawing to be used for reference for pages 13 and 14

# FUNCTIONAL COMPONENTS – STANDARD & DEHUMIDIFICATION

Dwg No.	Part Number	Description	W42HY-A	W42HY-B	W42HY-C	W42HYDA	W42HYDB	W42HYDC	W48HY-A	W48HY-B	W48HY-C	W48HYDA	W48HYDB	W48HYDC
1	7004-012	Air Filter 1" Throw-Away (20 x 20 x 1)	2	2	2	2	2	2	2	2	2	2	2	2
1	7003-085 ②	Air Filter 1" Washable (20 x 20 x 1)	2	2	2	2	2	2	2	2	2	2	2	2
1	7004-052 ②	Air Filter 2" Merv 8 (20 x 20 x 2)	2	2	2	2	2	2	2	2	2	2	2	2
1	7004-060 ②	Air Filter 2" Merv 11 (20 x 20 x 2)	2	2	2	2	2	2	2	2	2	2	2	2
1	7004-063 ②	Air Filter 2" Merv 13 (20 x 20 x 2)	2	2	2	2	2	2	2	2	2	2	2	2
2	900-366-002BX	Blower Assembly	X	X		X	X							
2	900-367-002BX	Blower Assembly - 460V			X			X						
2	900-368-004BX	Blower Assembly							X	X		X	X	
2	900-369-004BX	Blower Assembly - 460V								X				X
3	917-0403BX	Indoor Coil w/Distributor Assy.	X	X	X									
3	917-0404BX	Indoor Coil - Coated w/Distributor Assy.	0	0	0									
3	917-0405BX	Indoor Coil w/Distributor Assy.				X	X	X						
3	917-0406BX	Indoor Coil - Coated w/Distributor Assy.				0	0	0						
3	917-0407BX	Indoor Coil w/Distributor Assy.							X	X	X			
3	917-0408BX	Indoor Coil - Coated w/Distributor Assy.							0	0	0			
3	917-0409BX	Indoor Coil w/Distributor Assy.										X	X	X
3	917-0410BX	Indoor Coil - Coated w/Distributor Assy.										0	0	0
4	8200-004BX	Fan Motor Mount	X	X	X	X	X	X	X	X	X	X	X	X
4	8200-051BX ①	Fan Motor Mount - Stainless Steel	0	0	0	0	0	0	0	0	0	0	0	0
5	8105-068BX	Condenser Motor	X	X		X	X		X	X		X	X	
5	8105-071BX	Condenser Motor - 460V			X			X			X			X
6	5151-060BX	Fan Blade	X	X	X	X	X	X	X	X	X	X	X	X
6	5151C060BX ①	Fan Blade - Coated	0	0	0	0	0	0	0	0	0	0	0	0
7	5201-020BX	Filter Drier	X	X	X	X	X	X	X	X	X	X	X	X
8	CMH-35	Low Ambient Control (LAC) Kit = #8, 12, 19	0	0	0	0	0	0	0	0	0	0	0	0
9	8406-142BX	High Pressure Switch	X	X	X	X	X	X	X	X	X	X	X	X
9	8406-135BX	Low Pressure Switch	X	X	X	X	X	X	X	X	X	X	X	X
10	8000-349BX	Compressor	X			X								
10	8000-350BX	Compressor		X			X							
10	8000-351BX	Compressor			X			X						
10	8000-332BX	Compressor						X				X		
10	8000-333BX	Compressor							X				X	
10	8000-334BX	Compressor								X				X
11	917-0413BX	Outdoor Coil (Includes Distributor)	X	X	X	X	X	X						
11	917-0414BX	Outdoor Coil - Coated (Includes Distributor)	0	0	0	0	0	0						
11	917-0415BX	Outdoor Coil (Includes Distributor)							X	X	X	X	X	X
11	917-0416BX	Outdoor Coil - Coated (Includes Distributor)							0	0	0	0	0	0
12	8408-055BX	Outdoor Temperature Sensor	0	0	0	0	0	0	0	0	0	0	0	0
13	3000-1638BX	Dirty Filter Reset Switch	0	0	0	0	0	0	0	0	0	0	0	0
14	8611-094BX	Red Indicator Light - 24VAC	0	0	0	0	0	0	0	0	0	0	0	0
15	1171-023	1/4 Turn Receptacle	X	X	X	X	X	X	X	X	X	X	X	X
16	1171-022	1/4 Turn Fastener	X	X	X	X	X	X	X	X	X	X	X	X
17	1171-024	1/4 Turn Retainer	X	X	X	X	X	X	X	X	X	X	X	X
18	8301-057BX	Filter Pressure Switch	0	0	0	0	0	0	0	0	0	0	0	0
19	CMC-29	Freeze Protection Thermostat	0	0	0	0	0	0	0	0	0	0	0	0
20	5051-221BX	Reheat Coil				X	X	X				X	X	X
20	5054-221BX	Reheat Coil - Coated				0	0	0				0	0	0
21	5650-040BX	Reversing Valve	X	X	X	X	X	X	X	X	X	X	X	X
22	800-0465BX	Distributor Assembly - Indoor Coil	X	X	X									
22	800-0461BX	Distributor Assembly - Indoor Coil				X	X	X						
22	800-0488BX	Distributor Assembly - Indoor Coil							X	X	X			
22	800-0424BX	Distributor Assembly - Indoor Coil										X	X	X
22	5651S245BX ③	Electronic Expansion Valve				X	X	X				X	X	X
22	905-0737BX ③	Electronic Expansion Valve (EEV) Assembly				X	X	X				X	X	X
23	800-0424BX	Distributor Assembly - Outdoor Coil	X	X	X	X	X	X						
23	800-0467BX	Distributor Assembly - Outdoor Coil							X	X	X	X	X	X
24	8620-225BX	Defrost Thermistor Sensor	X	X	X	X	X	X	X	X	X	X	X	X
25	910-2050-002BX	EEV Controller (see <b>EEV Controller Assembly</b> )				X	X	X				X	X	X
26	8406-158BX	Low Pressure Transducer				X	X	X				X	X	X
27	5651-210BX	Heating Expansion Valve	X	X	X									
27	5651-211BX	Heating Expansion Valve							X	X	X			
NS	CMC-33	Dirty Filter Switch Kit = Item #'s 13,14,18	0	0	0	0	0	0	0	0	0	0	0	0
NS	5650-051BX	Dehumidification Valve				X	X	X				X	X	X
NS	5650-042BX	Dehum/Rev. Valve Solenoid, Red Casing (Ranco)	X	X	X	X	X	X	X	X	X	X	X	X
NS	5650-046BX	Dehum/Rev. Valve Solenoid, Black Casing (San Hua)	X	X	X	X	X	X	X	X	X	X	X	X
NS	5651-219	Check Valve				2	2	2				2	2	2
NS	5451-024	Tubing Isolation Grommet	2	2	2	4	4	4	2	2	2	4	4	4
NS	6031-009	Coremax Valve Core	2	2	2	2	2	2	2	2	2	2	2	2
NS	1171-028	Control Panel Door Clip	4	4	4	4	4	4	4	4	4	4	4	4
NS	1171-057	Control Panel Door Screw	4	4	4	4	4	4	4	4	4	4	4	4
NS	1171-027	Control Panel Door Screw Retainer	4	4	4	4	4	4	4	4	4	4	4	4
NS	5650-054BX	Molded Plug for Rev/Dehum Valves	X	X	X	2	2	2	X	X	X	2	2	2

① – Used with stainless steel cabinet option  
 ② – Optional on these models  
 ③ – Not shipped with stator and harness. Refer to **EEV CONTROLLER ASSEMBLY** on page 15 for part numbers.

X – Standard Component  
 0 – Optional Component  
 NS – Not Shown

# FUNCTIONAL COMPONENTS – STANDARD & DEHUMIDIFICATION

Dwg No.	Part Number	Description	W60HY-A	W60HY-B	W60HY-C	W60HYDA	W60HYDB	W60HYDC
1	7004-012	Air Filter 1" Throw-Away (20 x 20 x 1)	2	2	2	2	2	2
1	7003-085 ©	Air Filter 1" Washable (20 x 20 x 1)	2	2	2	2	2	2
1	7004-052 ©	Air Filter 2" Merv 8 (20 x 20 x 2)	2	2	2	2	2	2
1	7004-060 ©	Air Filter 2" Merv 11 (20 x 20 x 2)	2	2	2	2	2	2
1	7004-063 ©	Air Filter 2" Merv 13 (20 x 20 x 2)	2	2	2	2	2	2
2	900-368-005BX	Blower Assembly	X	X		X	X	
2	900-369-005BX	Blower Assembly - 460V			X			X
3	917-0411BX	Indoor Coil w/Distributor Assy.	X	X	X			
3	917-0412BX	Indoor Coil - Coated w/Distributor Assy.	0	0	0			
3	917-0376BX	Indoor Coil w/Distributor Assy.				X	X	X
3	917-0377BX	Indoor Coil - Coated w/Distributor Assy.				0	0	0
4	8200-004BX	Fan Motor Mount	X	X	X	X	X	X
4	8200-051BX ①	Fan Motor Mount - Stainless Steel	0	0	0	0	0	0
5	8105-068BX	Condenser Motor	X	X		X	X	
5	8105-071BX	Condenser Motor - 460V			X			X
6	5151-060BX	Fan Blade	X	X	X	X	X	X
6	5151C060BX ①	Fan Blade - Coated	0	0	0	0	0	0
7	5201-020BX	Filter Drier	X	X	X	X	X	X
8	CMH-35	Low Ambient Control (LAC) Kit = #8, 12, 19	0	0	0	0	0	0
9	8406-142BX	High Pressure Switch	X	X	X	X	X	X
9	8406-135BX	Low Pressure Switch	X	X	X	X	X	X
10	8000-421BX	Compressor	X			X		
10	8000-422BX	Compressor		X			X	
10	8000-423BX	Compressor			X			X
11	917-0417BX	Outdoor Coil (Includes Distributor)	X	X	X	X	X	X
11	917-0418BX	Outdoor Coil - Coated (Includes Distributor)	0	0	0	0	0	0
12	8408-055BX	Outdoor Temperature Sensor	0	0	0	0	0	0
13	3000-1638BX	Dirty Filter Reset Switch	0	0	0	0	0	0
14	8611-094BX	Red Indicator Light - 24VAC	0	0	0	0	0	0
15	1171-023	1/4 Turn Receptacle	X	X	X	X	X	X
16	1171-022	1/4 Turn Fastener	X	X	X	X	X	X
17	1171-024	1/4 Turn Retainer	X	X	X	X	X	X
18	8301-057BX	Filter Pressure Switch	0	0	0	0	0	0
19	CMC-29	Freeze Protection Thermostat	0	0	0	0	0	0
20	5051-221BX	Reheat Coil				X	X	X
20	5054-221BX	Reheat Coil - Coated				0	0	0
21	5650-040BX	Reversing Valve	X	X	X	X	X	X
22	800-0468BX	Distributor Assembly - Indoor Coil	X	X	X			
22	800-0455BX	Distributor Assembly - Indoor Coil				X	X	X
22	5651S248BX	Electronic Expansion Valve				X	X	X
22	905-0745BX	Electronic Expansion Valve (EEV) Assembly				X	X	X
23	800-0445BX	Distributor Assembly - Outdoor Coil	X	X	X	X	X	X
24	8408-044BX	Defrost Thermistor Sensor	X	X	X	X	X	X
25	910-2050-002BX	EEV Controller (see <b>EEV Controller Assembly</b> )				X	X	X
26	8406-158BX	Low Pressure Transducer				X	X	X
27	5651-211BX	Heating Expansion Valve	X	X	X			
NS	CMC-33	Dirty Filter Switch Kit = Item #'s 13,14,18	0	0	0	0	0	0
NS	5650-051BX	Dehumidification Valve				X	X	X
NS	5650-042BX	Dehum/Rev. Valve Solenoid, Red Casing (Ranco)	X	X	X	X	X	X
NS	5650-046BX	Dehum/Rev. Valve Solenoid, Black Casing (San Hua)	X	X	X	X	X	X
NS	5651-219	Check Valve				2	2	2
NS	5451-024	Tubing Isolation Grommet	2	2	2	4	4	4
NS	6031-009	Coremax Valve Core	2	2	2	2	2	2
NS	1171-028	Control Panel Door Clip	4	4	4	4	4	4
NS	1171-057	Control Panel Door Screw	4	4	4	4	4	4
NS	1171-027	Control Panel Door Screw Retainer	4	4	4	4	4	4
NS	5650-054BX	Molded Plug for Rev/Dehum Valves	X	X	X	2	2	2

NS – Not Shown

① – Used with stainless steel cabinet option

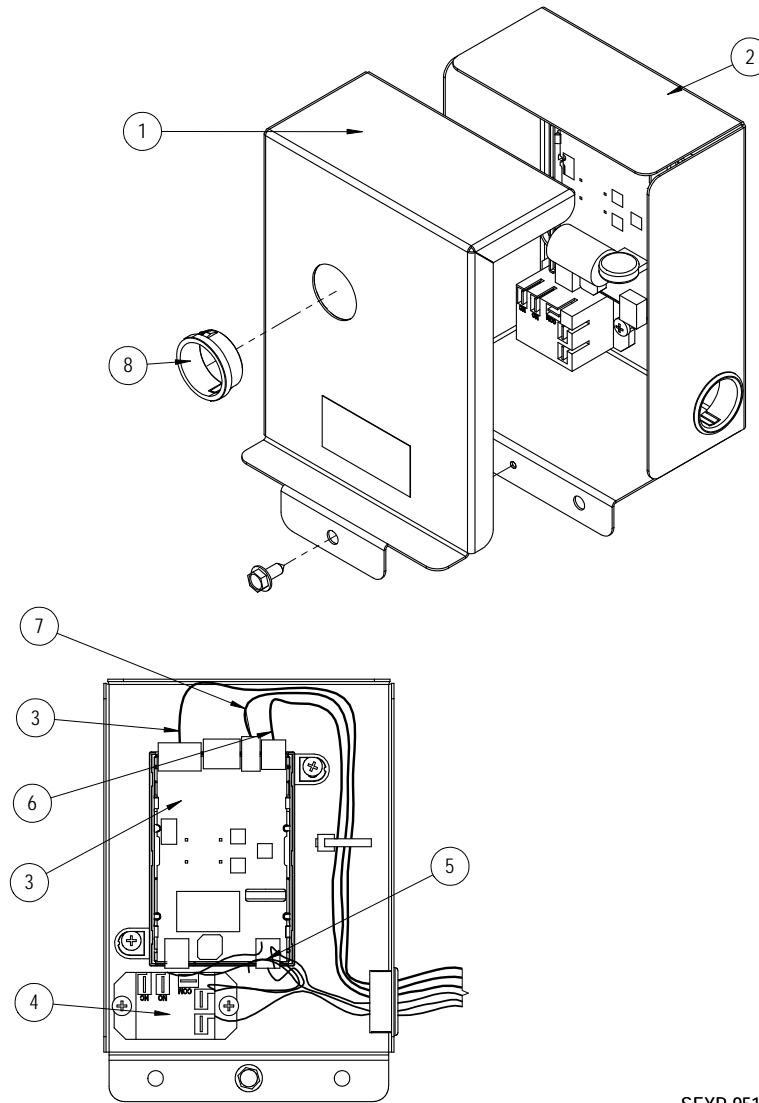
© – Optional on these models

X – Standard Component

0 – Optional Component

Refer to drawing on page 12

# EEV CONTROLLER ASSEMBLY

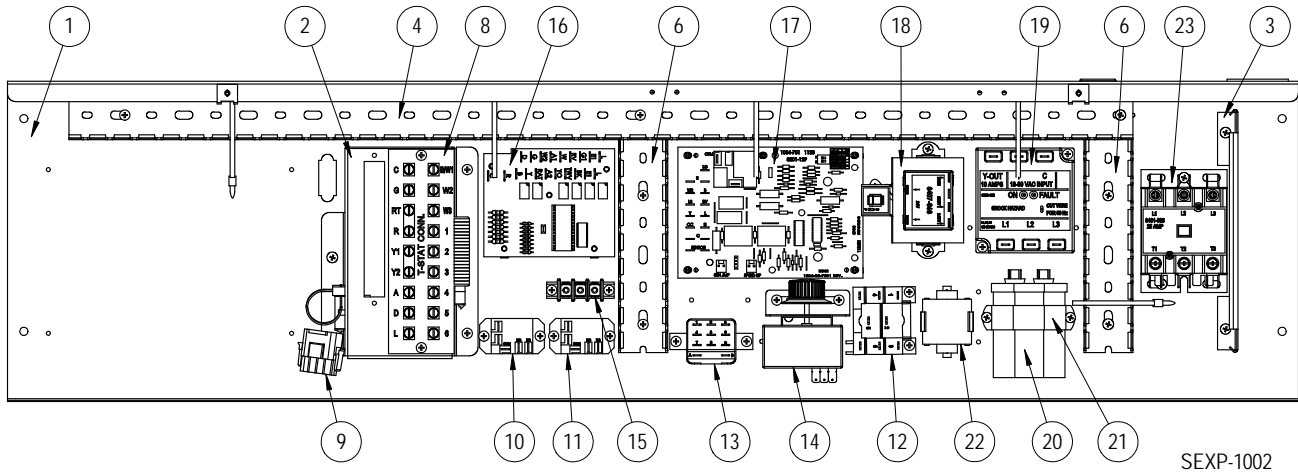


SEXP-951

910-2050-002BX

Dwg No.	Part Number	Description	
1	143-219BX	EEV Control Box Cover	X
2	127-572BX	EEV Control Box	X
3	S8301-079-0002BX	EEV Control Module & Stator Cable	X
3	5651-246BX	EEV Stator Cable Only	X
4	8201-130BX	Control Relay	X
5	3000-1602BX	Main Wire Assembly	X
6	3000-1611BX	Transducer Wire Assembly – Connects to EEV Board	X
6	3000-1603BX	Transducer Wire Assembly – Connects to Transducer	X
7	8408-056BX	EEV Thermistor	X
8	8611-075	Clear Snap Plug	X

# CONTROL PANEL – STANDARD & DEHUMIDIFICATION





# CONTROL PANEL – STANDARD & DEHUMIDIFICATION

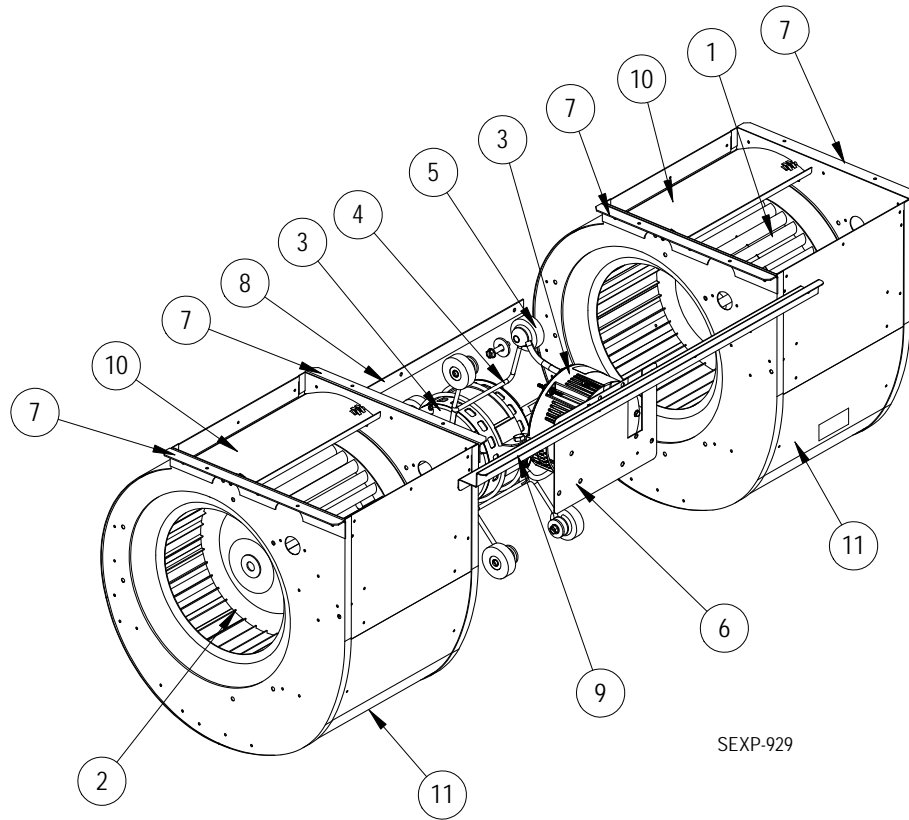
Dwg No.	Part Number	Description	W42HY-A	W42HY-B	W42HY-C	W42HYDA	W42HYDB	W42HYDC	W48HY-A	W48HY-B	W48HY-C	W48HYDA	W48HYDB	W48HYDC	W60HY-A	W60HY-B	W60HY-C	W60HYDA	W60HYDB	W60HYDC
1	117-411BX	Control Panel	X	X	X	X	X	X	X	X	X	X	X	X	X	X	X	X	X	X
2	910-2061BX	Complete Low Voltage Box Assembly (Sheet metal, Terminal Strip, & Wire Harness)	X	X	X	X	X	X	X	X	X	X	X	X	X	X	X	X	X	X
3	135-394BX	Wire Shield	X	X	X	X	X	X	X	X	X	X	X	X	X	X	X	X	X	X
4	8611-244-3208BX	Cable Duct - 32.5"	X	X	X	X	X	X	X	X	X	X	X	X	X	X	X	X	X	X
6	8611-244-0608BX	Cable Duct - 6.5"	2	2	2	2	2	2	2	2	2	2	2	2	2	2	2	2	2	2
8	8607-063BX	Low Voltage Terminal Strip - 18 term.	X	X	X	X	X	X	X	X	X	X	X	X	X	X	X	X	X	X
9	3000-1524BX	Vent Jumper Plug (used when no vent option)	X	X	X	X	X	X	X	X	X	X	X	X	X	X	X	X	X	X
10	8201-130BX	Alarm Relay (Kit = CMC-35)	0	0	0	0	0	0	0	0	0	0	0	0	0	0	0	0	0	0
11	8201-130BX	Blower Speed Relay	X	X	X	X	X	X	X	X	X	X	X	X	X	X	X	X	X	X
12	8201-086BX	OD T-Stat/LAC Relay (LAC Kit = CMH-35)	0	0	0	0	0	0	0	0	0	0	0	0	0	0	0	0	0	0
13	8201-159BX	Dirty Filter Relay (Kit = CMC-33)	0	0	0	0	0	0	0	0	0	0	0	0	0	0	0	0	0	0
14	8408-028BX	Outdoor Thermostat (ODT Kit = CMH-36)	0	0	0	0	0	0	0	0	0	0	0	0	0	0	0	0	0	0
15	8607-042BX	Blower Speed Terminal Block	X	X	X	X	X	X	X	X	X	X	X	X	X	X	X	X	X	X
16	8201-113BX	Dehumidification Logic Board				X	X	X				X	X	X				X	X	X
17	8620-223	Defrost Logic Control Board w/Sensor	X	X	X	X	X	X	X	X	X	X	X	X	X	X	X	X	X	X
18	8407-068BX	Transformer	X	X		X	X		X	X		X	X		X	X		X	X	
18	8407-069BX	Transformer			X			X			X			X			X			X
19	8201-174BX	Phase Monitor		X	X		X	X		X	X		X	X		X	X		X	X
20	8552-079BX	Compressor Capacitor	X			X			X			X			X			X		
20	8552-089BX	Compressor Capacitor		X				X		X			X			X		X		
20	8552-005BX	Outdoor Motor Capacitor			X			X			X			X			X		X	
20	8552-004BX	Outdoor Motor Capacitor			X			X		X			X			X		X		X
21	8550-008BX	Capacitor Strap	X			X			X			X			X			X		
21	8550-003BX	Capacitor Strap		X	X		X	X		X	X		X	X		X	X		X	X
22	8551-004BX	Start Device (PTCR) (Kit = CMC-32)	0			0			0			0			0			0		
23	8401-034BX	Compressor Contactor	X			X			X			X			X			X		
23	8401-035BX	Compressor Contactor		X	X		X	X		X	X		X	X		X	X		X	X
NS	8615-039BX	Circuit Breaker 45A 2 Pole ①	0			0			0			0			0			0		
NS	8615-040BX	Circuit Breaker 50A 2 Pole ①							0			0						0		
NS	8615-041BX	Circuit Breaker 60A 2 Pole ①							0			0			0			0		
NS	8615-042BX	Circuit Breaker 35A 3 Pole ①		0			0		0			0			0			0		
NS	8615-043BX	Circuit Breaker 40A 3 Pole ①							0			0			0			0		
NS	S8615-067BX	Toggle Disconnect			0			0			0			0			0			0
NS	4096-189	Wiring Diagram	X						X						X					
NS	4096-190	Wiring Diagram		X		X				X		X				X		X		
NS	4096-289	Wiring Diagram					X					X					X		X	
NS	4096-290	Wiring Diagram						X				X							X	
NS	4096-389	Wiring Diagram			X					X							X			
NS	4096-390	Wiring Diagram					X						X							X
NS	3000-1613BX	Blower Power Plug	X	X	X	X	X	X	X	X	X	X	X	X	X	X	X	X	X	X
NS	3000-1614BX	Blower Speed Plug	X	X	X	X	X	X	X	X	X	X	X	X	X	X	X	X	X	X
NS	3000-1222BX	Compressor Plug/Harness	X			X			X			X			X			X		
NS	3000-1230BX	Compressor Plug/Harness		X	X		X	X		X	X		X	X		X	X		X	X
NS	3003-143BX	Control Panel Wire Harness	X						X						X					
NS	3003-144BX	Control Panel Wire Harness		X					X							X				
NS	3003-145BX	Control Panel Wire Harness			X					X							X			
NS	3003-146BX	Control Panel Wire Harness				X					X							X		
NS	3003-147BX	Control Panel Wire Harness					X					X							X	
NS	3003-148BX	Control Panel Wire Harness						X					X							X
NS	3000-1608BX	Low Voltage Terminal Block Wire Harness	X	X	X	X	X	X	X	X	X	X	X	X	X	X	X	X	X	X
NS	8201-032BX	Outdoor Fan Relay (located where start device shown)			X			X			X			X			X			X

NS = Not Shown

① Circuit breakers listed are for units without electric heat, "OZ" models.  
See heater replacement parts manual for units with electric heat.

X – Standard Component  
O – Optional Component

# BLOWER ASSEMBLY



SEXP-929

Dwg No.	Part Number	Description	900-366-002BX	900-367-002BX	900-368-004BX	900-368-005BX	900-369-004BX	900-369-005BX
1	5152-011BX	10 Inch Wheel (CW)	X	X	X	X	X	X
2	5152-012BX	10 Inch Wheel (CW)	X	X	X	X	X	X
3	8106-068-0185BX	Programmed Blower Motor & Control (230/208V)	X					
3	8106-069-0176BX	Programmed Blower Motor & Control (460V)		X				
3	8107-028-0177BX	Programmed Blower Motor & Control (230/208V)			X			
3	8107-028-0179BX	Programmed Blower Motor & Control (230/208V)				X		
3	8107-029-0178BX	Programmed Blower Motor & Control (460V)					X	
3	8107-029-0180BX	Programmed Blower Motor & Control (460V)						X
3	C8106-068-0185	Programmed Control Only (230/208V)	O					
3	C8106-069-0176	Programmed Control Only (460V)		O				
3	C8107-028-0177	Programmed Control Only (230/208V)			O			
3	C8107-028-0179	Programmed Control Only (230/208V)				O		
3	C8107-029-0178	Programmed Control Only (460V)					O	
3	C8107-029-0180	Programmed Control Only (460V)						O
4	8200-040BX	Motor Mount	X	X	X	X	X	X
5	5451-011	Grommets	6	6	6	6	6	6
6	112-775BX	Motor Control Bracket	X	X	X	X	X	X
7	105-880BX	Side Angle	4	4	4	4	4	4
8	105-881BX	Back Brace	X	X	X	X	X	X
9	103-541BX	Front Mounting Offset	X	X	X	X	X	X
10	144-166BX	Diffuser	2	2	2	2	2	2
11	151-101BX	Blower Housing	2	2	2	2	2	2

X – Standard Component  
O – Optional Component