
REPLACEMENT PARTS MANUAL

Wall-Mounted Packaged Heat Pump

Models:

J30HY-A J36HY-A
J30HY-B J36HY-B
J30HY-C J36HY-C

Contents

Description	Page
Cabinet Components	
♦ Exploded View	2
♦ Usage List	3
Functional Components	
♦ Exploded View	4
♦ Usage List	5
Control Panel – 230 Volt 1 Phase Units	
♦ Layout View	6
♦ Usage List	7
Control Panel – 230 Volt 3 Phase Units	
♦ Layout View	8
♦ Usage List	9
Control Panel – 460 Volt 3 Phase Units	
♦ Layout View	10
♦ Usage List	11
Blower Assembly	
♦ Exploded View	12
♦ Usage List	12

General Notes

- Revised and/or additional pages may be issued from time to time.
- A complete and current manual consists of pages shown in the contents section.

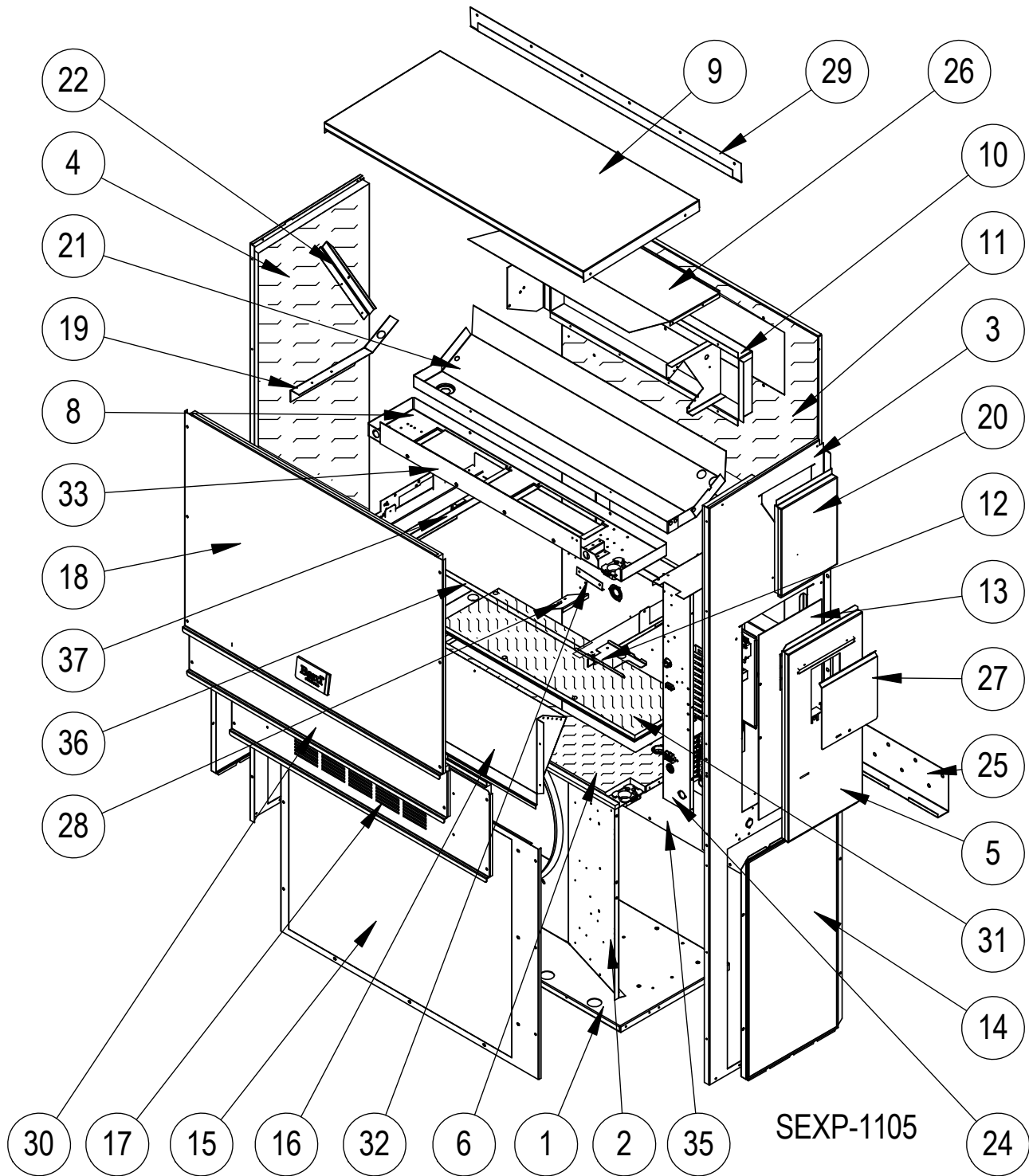
Important

- Contact the installing and/or local Bard distributor for all parts requirements. Make sure to have the complete model and serial number available from the unit rating plates.



Manual: 2110-1583A
Supersedes: 2110-1583
Date: 1-4-24

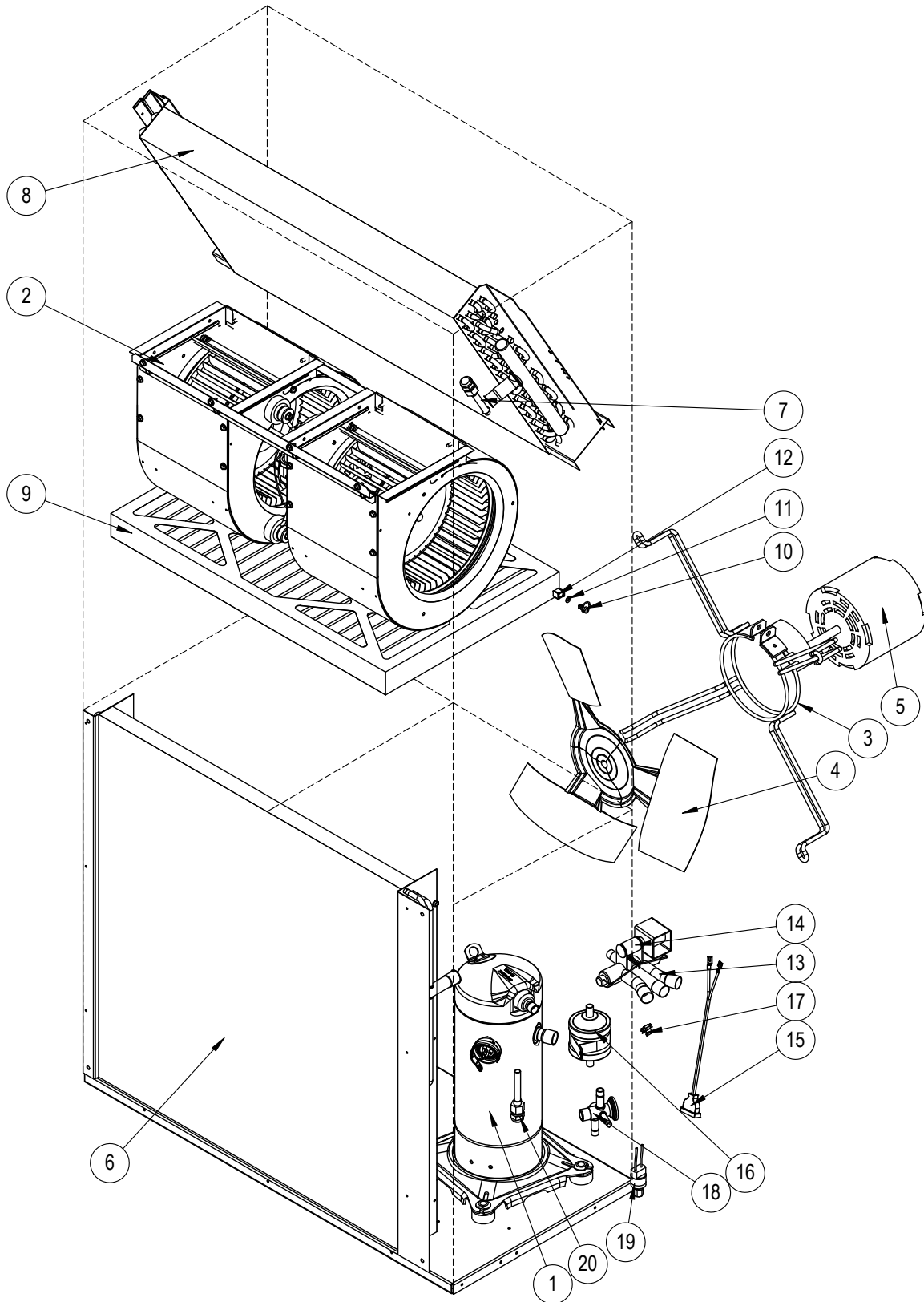
CABINET COMPONENTS



CABINET COMPONENTS

Dwg No.	Part Number	Description	J30HY-A	J30HY-B	J30HY-C	J36HY-A	J36HY-B	J36HY-C
1	127-471BX	Lower Base	X	X	X	X	X	X
2	125-081BX	Fan Shroud	X	X	X	X	X	X
3	501-933-XBX	Right Side	X	X	X	X	X	X
4	501-934-XBX	Left Side	X	X	X	X	X	X
5	533-228-XBX	Control Panel Cover (Outer)	X	X	X	X	X	X
6	521X527BX	Condenser Partition	X	X	X	X	X	X
8	121X467BX	Blower Partition	X	X	X	X	X	X
9	507-308-XBX	Top	X	X	X	X	X	X
10	111X030BX	Outlet Air Frame Assembly	X	X	X	X	X	X
11	509-451BX	Upper Back	X	X	X	X	X	X
12	137X1011BX	Filter Fill Plate	X	X	X	X	X	X
13	132-104BX	Control Panel Cover (Inner)	X	X		X	X	
13	132-172BX	Control Panel Cover (Inner)			X			X
14	118-124-XBX	Side Grille	2	2	2	2	2	2
15	118-103-XBX	Condenser Grille	X	X	X	X	X	X
16	BFAD-3	Fresh Air Damper Assembly	X	X	X	X	X	X
17	553-523-XBX	Vent Option Door	X	X	X	X	X	X
17	553-540-XBX	Vent Option Door with ERV	X	X	X	X	X	X
17	553-665-XBX	Vent Option Door with CRV or ECON-S	X	X	X	X	X	X
18	514-241-XBX	Upper Front	X	X	X	X	X	X
19	105X850BX	Side Support	X	X	X	X	X	X
20	543-175-XBX	Right Side Cover Plate (Outer)	X	X	X	X	X	X
21	123-127BX	Drain Pan	X	X	X	X	X	X
22	147-044BX	Evaporator Support	X	X	X	X	X	X
24	Control Panel Assembly	See Control Panel on pages 8 – 13	X	X	X	X	X	X
25	113-140BX	Bottom Mounting Bracket	X	X	X	X	X	X
26	135X123BX	Heat Shield	X	X	X	X	X	X
27	153-218-XBX	Disconnect Access Door	X	X	X	X	X	X
28	131-194BX	Fill Partition Bracket	X	X	X	X	X	X
29	113-149-XBX	Top Rain Flashing	X	X	X	X	X	X
30	553-524-XBX	Filter Door	X	X	X	X	X	X
31	536-498BX	Cond. Partition Block Off Plate	X	X	X	X	X	X
32	105-1302	Grommet Retainer	X	X	X	X	X	X
33	135-329BX	Air Baffle	X	X	X	X	X	X
35	109-450BX	Lower Back	X	X	X	X	X	X
36	131-190BX	Filter Tray Angle	X	X	X	X	X	X
37	131X189BX	Filter Partition	X	X	X	X	X	X
NS	5252-035	Solair Nameplate	X	X	X	X	X	X

FUNCTIONAL COMPONENTS



SEXP-985

FUNCTIONAL COMPONENTS

Dwg No.	Part Number	Description	J30HY-A	J30HY-B	J30HY-C	J36HY-A	J36HY-B	J36HY-C
1	8000-277BX	Compressor	X					
1	8000-365BX	Compressor		X				
1	8000-366BX	Compressor			X			
1	8000-278BX	Compressor				X		
1	8000-283BX	Compressor					X	
1	8000-342BX	Compressor						X
NS	3000-1224BX	Molded Compressor Wire Harness (1-PH)	X			X		
NS	3000-1231BX	Molded Compressor Wire Harness (3-PH)		X	X		X	X
2	900-360-0171BX	Blower Assembly	X	X				
2	900-361-0172BX	Blower Assembly			X			
2	900-360-0173BX	Blower Assembly				X	X	
2	900-361-0174BX	Blower Assembly						X
3	8200-001BX	Fan Motor Mount	X	X	X	X	X	X
4	5151-045BX	Fan Blade	X	X	X	X	X	X
5	8103-029BX	Outdoor Fan Motor	X	X		X	X	
5	8103-030BX	Outdoor Fan Motor			X			X
6	917-0320BX	Outdoor Coil (Includes Distributor)	X	X	X			
6	917-0387BX	Outdoor Coil (Includes Distributor)				X	X	X
7	800-0486BX	Cooling Distributor Assembly	X	X	X			
7	800-0426BX	Cooling Distributor Assembly				X	X	X
8	917-0389BX	Indoor Coil (Includes Cooling Distributor)	X	X	X			
8	917-0401BX	Indoor Coil (Includes Cooling Distributor)				X	X	X
9	7004-026	Air Filter 2" Pleated Disposable	X	X	X	X	X	X
9	7004-019	Air Filter 1" Disposable	O	O	O	O	O	O
9	7003-031	Air Filter 1" Washable	O	O	O	O	O	O
10	1171-022	1/4 Turn Fastener	X	X	X	X	X	X
11	1171-024	1/4 Turn Retainer	X	X	X	X	X	X
12	1171-023	1/4 Turn Receptacle	X	X	X	X	X	X
13	5650-039BX	Reversing Valve w/24V Solenoid Coil	X	X	X	X	X	X
14	5650-046BX	Reversing Valve 24V Solenoid	X	X	X	X	X	X
15	5650-044BX	Molded Plug 53" Lead	X	X	X	X	X	X
16	5201-019BX	Filter Drier, Bi-Directional, 3/8" Connections	X	X	X	X	X	X
17	8620-224	Defrost Sensor Kit	X	X	X	X	X	X
18	5651-200BX	Heating Expansion Valve	X	X	X			
18	5651-231BX	Heating Expansion Valve				X	X	X
19	8406-142BX	High Pressure Switch (650#) Screw On	X	X	X	X	X	X
20	5625-023BX	Heating Distributor	X	X	X			
20	5625-127BX	Heating Distributor				X	X	X
NS	8406-135BX	Low Pressure Switch (14#) Screw On	X	X	X	X	X	X
NS	6031-009	Coremax Valve Core (Service Port)	2	2	2	2	2	2
NS	8406-105BX	Low Ambient Fan Cycling Control (350#/225#)	O	O	O	O	O	O
NS	8408-028BX	Outdoor Thermostat	O	O	O	O	O	O
NS	1171-028	Filter Door Clip	X	X	X	X	X	X
NS	1171-057	Filter Door Screw	X	X	X	X	X	X
NS	1171-027	Filter Door Screw Retainer	X	X	X	X	X	X

NS – Not Shown

X – Standard Component
O – Optional Component

CONTROL PANEL – 230 VOLT 1 PHASE UNITS

Dwg No.	Part Number	Description	J30HY-A	J36HY-A
1	117X137BX	Control Panel Top - RH (Sheet Metal Only)	X	X
2	117X374BX	Control Panel - RH (Sheet Metal Only)	X	X
3	117X375BX	Low Voltage Box - RH (Sheet Metal Only)	X	X
4	117X385BX	Low Voltage Partition - RH (Sheet Metal Only)	X	X
NS	3000-1494BX	Low Voltage Wire Harness (behind LVTS)	X	X
NS	910-2047BX	Complete Low Voltage Box Assembly (Sheet Metal, LVTS & Wire Harness)	X	X
5	141-596BX	Plug Support Bracket (Sheet Metal)	X	X
6	135-122BX	Wire Shield (Sheet Metal)	X	X
7	8401-033BX	Contactors 2-Pole	X	X
8	8407-068BX	Transformer 208/240-24, 50VA	X	X
9	8201-130BX	Relay, SPDT	X	X
10	8620-223	Defrost Board Replacement Kit w/Sensor	X	X
11	8607-044BX	Blower Speed Strip	X	X
12	8607-042BX	Blower Speed Terminal	X	X
13	8611-006	Ground Lug	X	X
25	8611-140-1400	14" Cable Duct	X	X
26	8611-140-0500	5" Cable Duct	X	X
27	8552-052BX	Capacitor 45+5/370 V, 2-1/2" Round	X	X
28	8550-008	Capacitor Strap, 2-1/2" Round	X	X
NS	3003-132BX	Main Control Panel Wire Harness	X	X
NS	8201-086BX	LAC and/or ODT Relay	O	O
NS	8408-028BX	Outdoor Thermostat	O	O
NS	3000-1598BX	Blower Power Plug	X	X
NS	3000-1599BX	Blower Speed Plug	X	X
NS	4096-191	Wiring Diagram	X	
NS	4096-189	Wiring Diagram		X
NS	3000-1252 ②	Electric Heat Jumper Plug	X	X

NS – Not Shown

X – Standard Component

O – Optional Component

CONTROL PANEL – 230 VOLT 3 PHASE UNITS

Dwg No.	Part Number	Description	J30HY-B	J36HY-B
1	117X137BX	Control Panel Top - RH (Sheet Metal Only)	X	X
2	117X374BX	Control Panel - RH (Sheet Metal Only)	X	X
3	117X375BX	Low Voltage Box - RH (Sheet Metal Only)	X	X
4	117X385BX	Low Voltage Partition - RH (Sheet Metal Only)	X	X
NS	3000-1494BX	Low Voltage Wire Harness (behind LVTS)	X	X
NS	910-2047BX	Complete Low Voltage Box Assembly (Sheet Metal, LVTS & Wire Harness)	X	X
5	141-596BX	Plug Support Bracket (Sheet Metal)	X	X
6	135-122BX	Wire Shield (Sheet Metal)	X	X
7	8401-035BX	Contactora 3-Pole	X	X
8	8407-068BX	Transformer 208/240-24, 50VA	X	X
9	8201-130BX	Relay, SPDT	X	X
10	8620-223	Defrost Board Replacement Kit w/Sensor	X	X
11	8607-044BX	Terminal Strip	X	X
12	8607-042BX	Blower Speed Terminal	X	X
13	8611-006	Ground Lug	X	X
25	8611-140-1400	14" Cable Duct	X	X
26	8611-140-0500	5" Cable Duct	X	X
27	8552-002BX	Capacitor 5/370 V, 1-1/4" Oval	X	X
28	8550-003	Capacitor Strap, 1-1/4" Oval	X	X
29	8201-174BX	3 Phase Line Monitor	X	X
NS	3003-133BX	Main Control Panel Wire Harness	X	X
NS	8201-086BX	LAC and/or ODT Accessory Relay	O	O
NS	8408-028BX	Outdoor Thermostat	O	O
NS	3000-1598BX	Blower Power Plug	X	X
NS	3000-1599BX	Blower Speed Plug	X	X
NS	4096-291	Wiring Diagram	X	
NS	4096-289	Wiring Diagram		X
NS	3000-1252 @	Electric Heat Jumper Plug	X	X

NS – Not Shown

X – Standard Component

O – Optional Component

CONTROL PANEL – 460 VOLT 3 PHASE UNITS

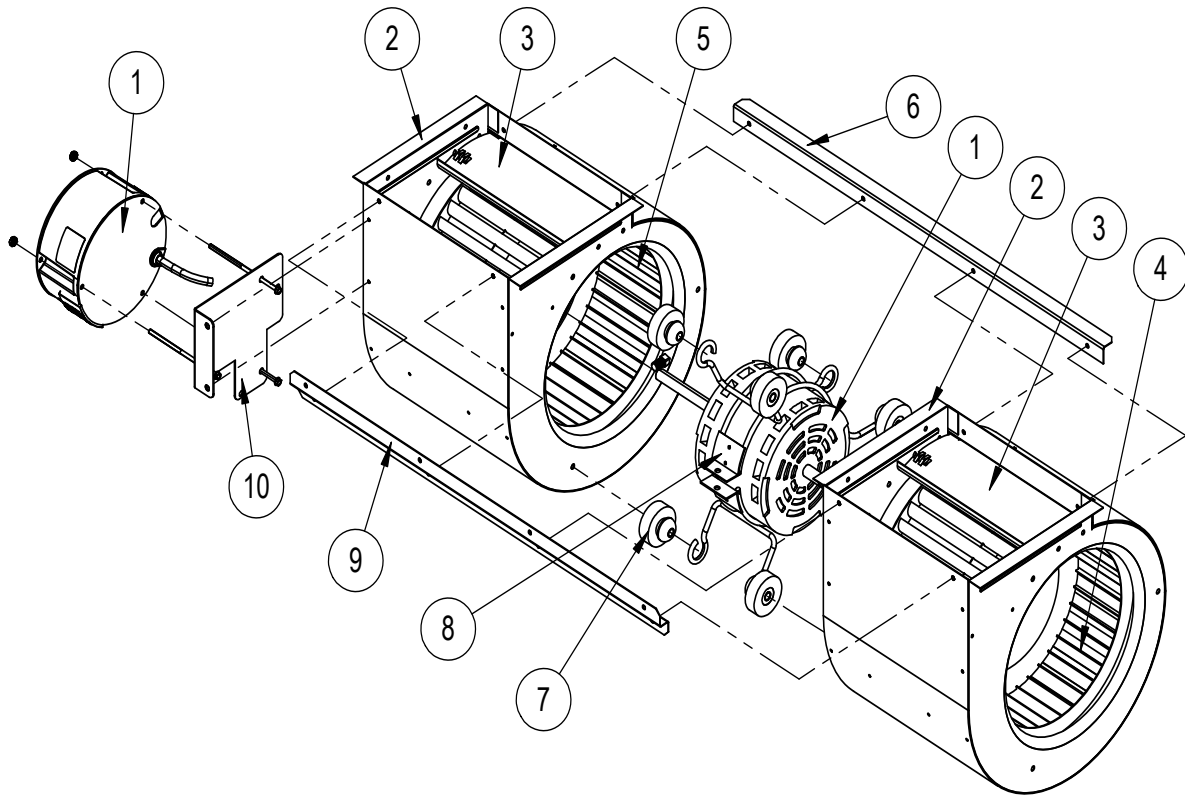
Dwg No.	Part Number	Description	J30HY-C	J36HY-C
1	117X137BX	Control Panel Top - RH (Sheet Metal Only)	X	X
2	117X374BX	Control Panel - RH (Sheet Metal Only)	X	X
3	117X375BX	Low Voltage Box - RH (Sheet Metal Only)	X	X
4	117X385BX	Low Voltage Partition - RH (Sheet Metal Only)	X	X
NS	3000-1494BX	Low Voltage Wire Harness (behind LVTS)	X	X
NS	910-2047BX	Complete Low Voltage Box Assembly (Sheet Metal, LVTS & Wire Harness)	X	X
5	141-596BX	Plug Support Bracket (Sheet Metal)	X	X
6	135-122BX	Wire Shield (Sheet Metal)	X	X
7	8401-035BX	Contactora 3-Pole	X	X
8	8407-069BX	Transformer 460-24, 50VA	X	X
9	8201-032BX	Relay, SPDT, 3 FLA@480V	X	X
10	8620-223	Defrost Board Replacement Kit w/Sensor	X	X
11	8607-044BX	Terminal Strip	X	X
12	8607-042BX	Blower Speed Terminal	X	X
13	8611-006	Ground Lug	X	X
25	8611-140-1400	14" Cable Duct	X	X
26	8611-140-0500	5" Cable Duct	X	X
27	8552-002BX	Capacitor 5/370 V, 1-1/4" Oval	X	X
28	8550-003	Capacitor Strap, 1-1/4" Oval	X	X
29	8201-174BX	3 Phase Line Monitor	X	X
NS	3003-134BX	Main Control Panel Wire Harness	X	X
NS	8201-086BX	LAC and/or ODT Accessory Relay	O	O
NS	8408-028BX	Outdoor Thermostat	O	O
NS	3000-1598BX	Blower Power Plug	X	X
NS	3000-1599BX	Blower Speed Plug	X	X
NS	4096-391	Wiring Diagram	X	
NS	4096-389	Wiring Diagram		X
NS	3000-1252 @	Electric Heat Jumper Plug	X	X

NS – Not Shown

X – Standard Component

O – Optional Component

BLOWER ASSEMBLY



SEXP-909

Dwg No.	Part Number	Description	900-360-0171BX	900-361-0172BX	900-360-0173BX	900-361-0174BX
1	8106-068-0171BX	Blower Motor & Control (230/208V)	X			
1	8106-069-0172BX	Blower Motor & Control (460V)		X		
1	8106-068-0173BX	Blower Motor & Control (230/208V)			X	
1	8106-069-0174BX	Blower Motor & Control (460V)				X
1	C8106-068-0171	Programmed Control Only (230/208V)		O		
1	C8106-069-0172	Programmed Control Only (460V)			O	
1	C8106-068-0173	Programmed Control Only (230/208V)				O
1	C8106-069-0174	Programmed Control Only (460V)				O
2	151-111BX	Housing	2	2	2	2
3	144-174BX	Diffuser	X	X	X	X
4	5152-090BX	Wheel CW	X	X	X	X
5	5152-091BX	Wheel CCW	X	X	X	X
6	105-870BX	Back Brace	X	X	X	X
7	5451-011	Grommets	6	6	6	6
8	8200-031BX	Motor Mount	X	X	X	X
9	103-401BX	Front Brace	X	X	X	X
10	113-721BX	Motor Control Bracket	X	X	X	X

X – Standard Component
O – Optional Component