
REPLACEMENT PARTS MANUAL

Commercial Ventilator and Economizer

Model:
ECON-WD5V

Contents

Description	Page
Intake Blade Assembly	
♦ Exploded View	2
♦ Usage List	3
Actuator Assembly	
♦ Exploded View	4
♦ Usage List	5
Base Assembly and Exhaust Blade Assembly	
♦ Exploded View	6
♦ Usage List	7
Exhaust Partition Assembly/Intake Seal Angle Assy.	
♦ Exploded View	8
♦ Usage List	9
Vent Assembly	
♦ Exploded View	10
♦ Usage List	11

General Notes

- Revised and/or additional pages may be issued from time to time.
- A complete and current manual consists of pages shown in the following contents section.

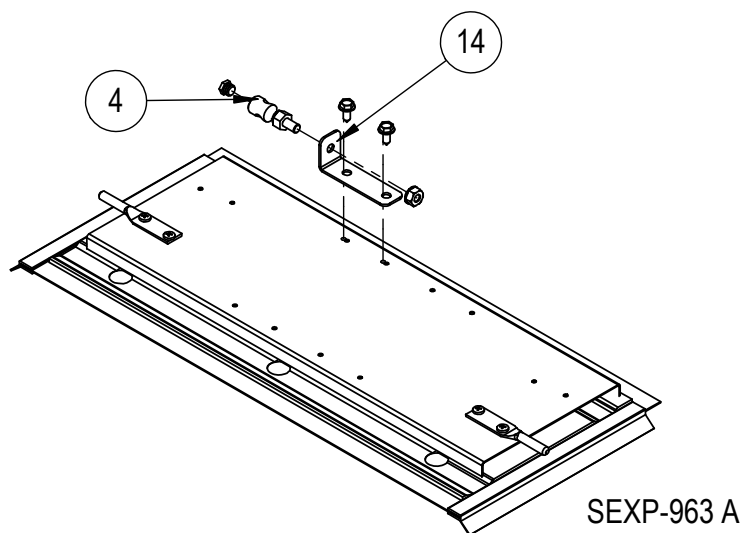
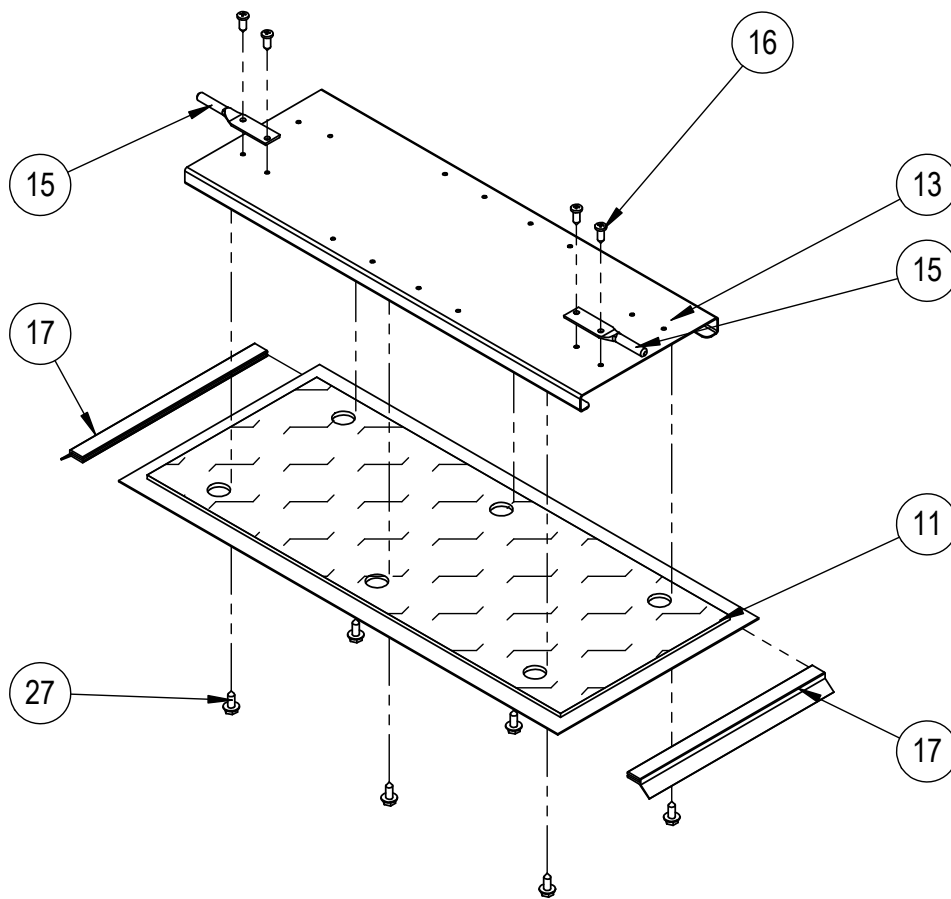
Important

- Contact the installing and/or local Bard distributor for all parts requirements. Make sure to have the complete model and serial number available from the unit rating plates.

BMC, Inc.
Bryan, Ohio 43506

Manual : 2110-1585
Supersedes: **NEW**
Date: 11-28-23

INTAKE BLADE ASSEMBLY

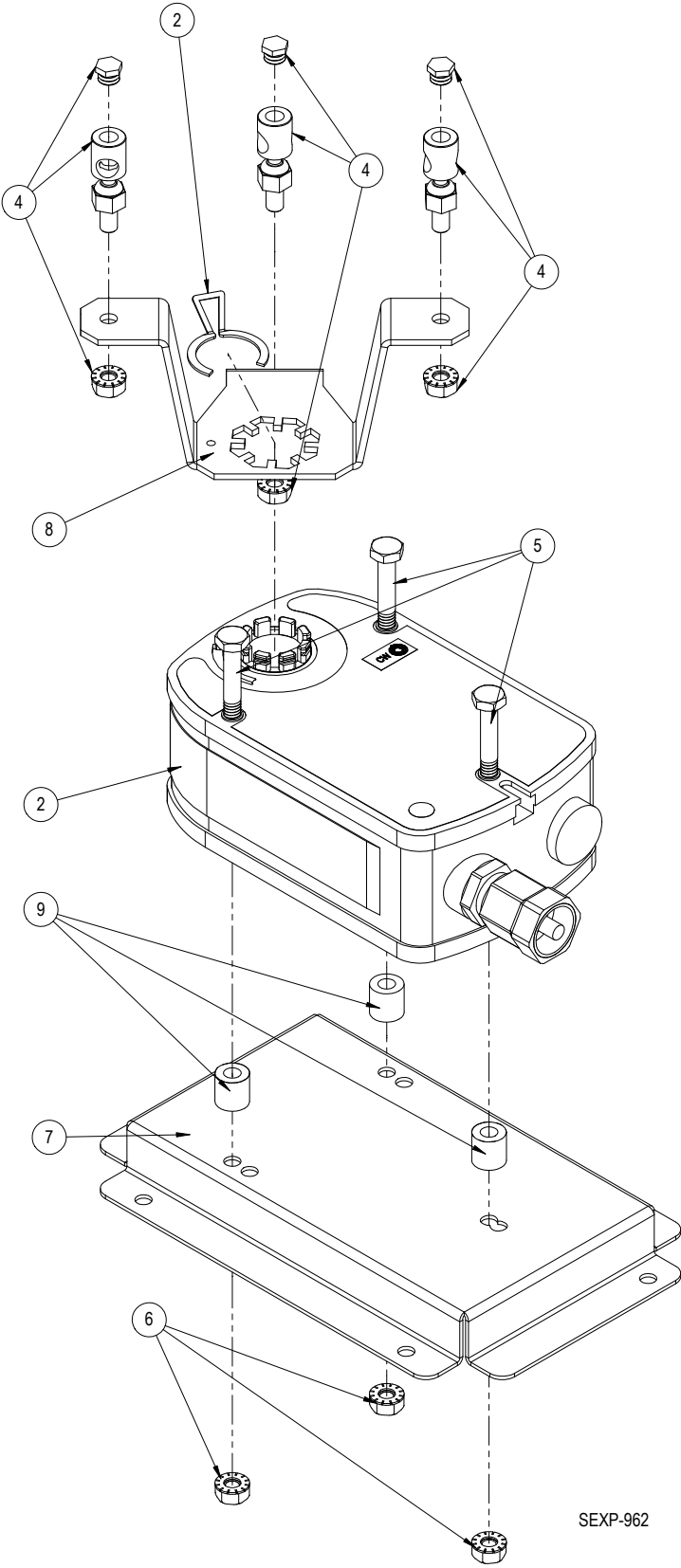


SEXP-963 A

INTAKE BLADE ASSEMBLY

Drawing No.	Part No.	Description	ECON-WD5V
4	8602-008	BALL JOINT	X
11	138-440BX	INTAKE BLADE	X
13	141-496BX	INTAKE BLADE SUPPORT	X
14	113-772BX	BALL JOINT MOUNTING BRACKET	X
15	8602-106	1/4" ROUND END BEARING	2
16	1012-065	SCREW, TYPE AB TXPNHD#8-18X3/8	4
17	1921-067-0614	6-7/8" DAMPER BLADE SEAL	2
27	1012-086	SCREW, TYPE AB HXWHD#10-16X1/2	8

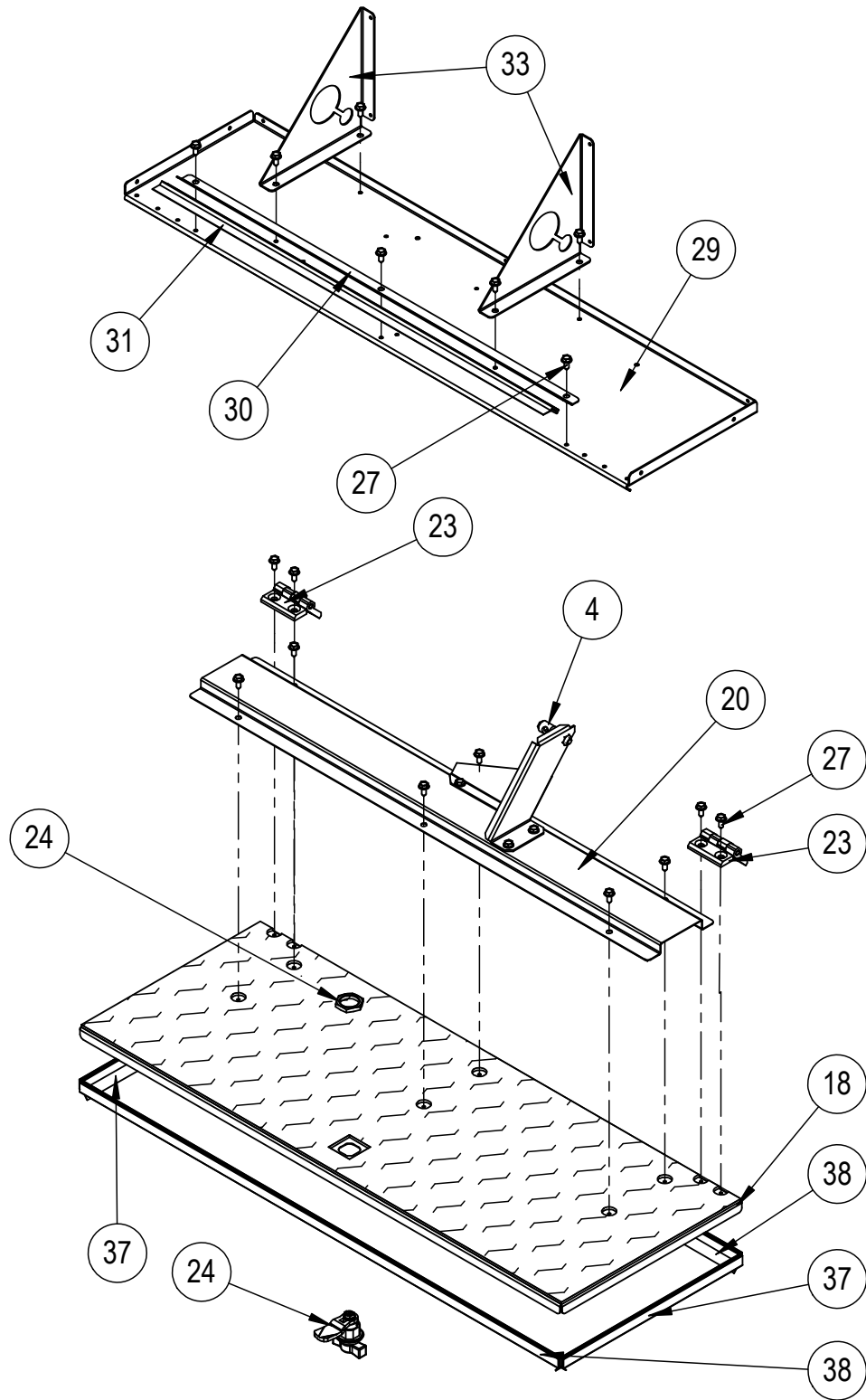
ACTUATOR ASSEMBLY



ACTUATOR ASSEMBLY

Drawing No.	Part No.	Description	ECON-WD5V
2	8602-075BX	DIRECT COUPLED ACTUATOR	X
4	8602-008	BALL JOINT	3
5	1012-174	1/4"-20X3-1/4 HEX - CAP SCREW	X
6	1012-201	1/4-20 STEEL KEPS HEX NUT ZINC	3
7	141-495BX	ACTUATOR SUPPORT PLATE	X
8	139-441BX	ACTUATOR TRI-ARM	X
9	5451-029	NYLON SLEEVE .257" I.D.X.5" LONG	3

BASE ASSEMBLY AND EXHAUST BLADE ASSEMBLY

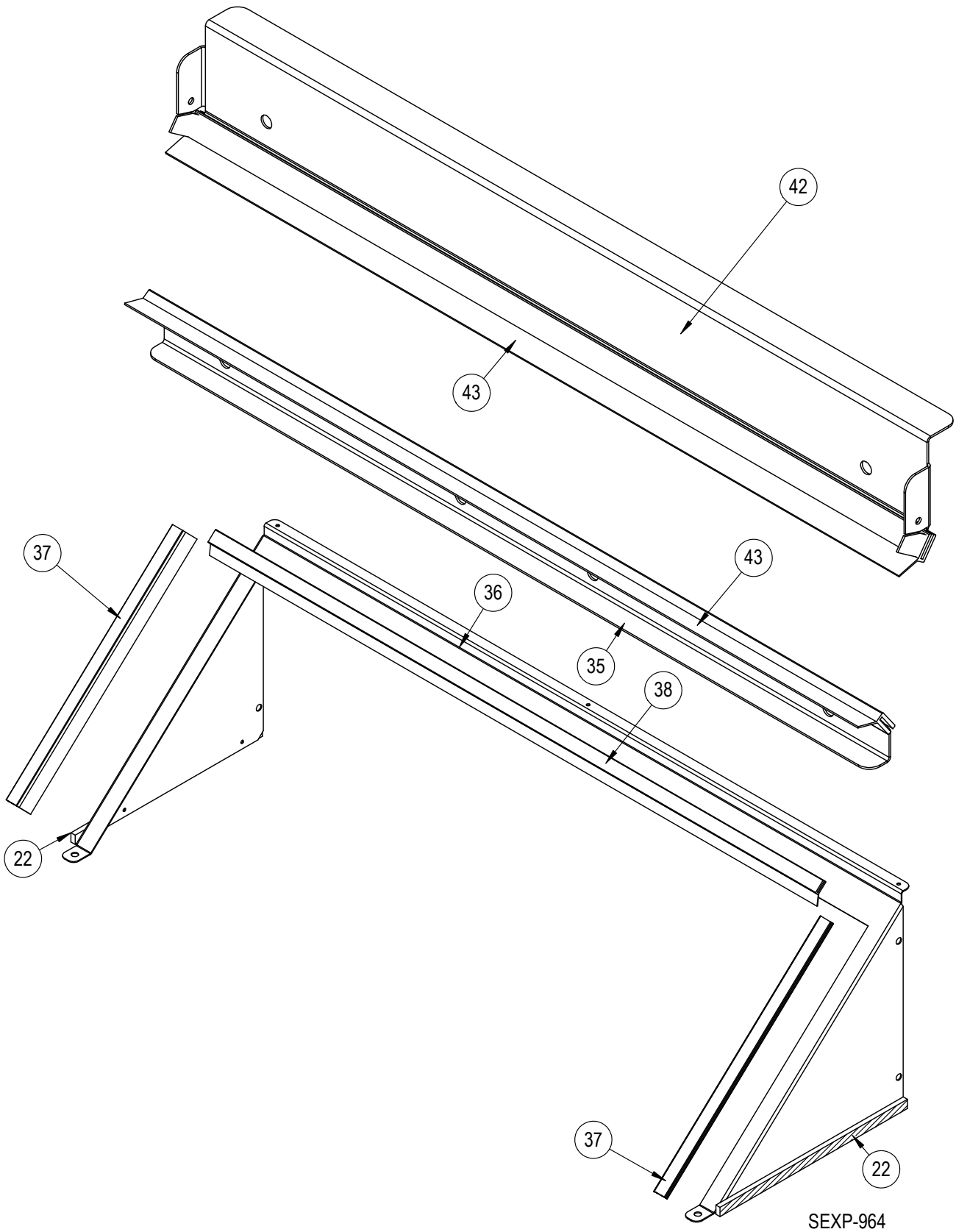


SEXP-961

BASE ASSEMBLY AND EXHAUST BLADE ASSEMBLY

Drawing No.	Part No.	Description	ECON-WD5V
4	8602-008	BALL JOINT	X
18	139-420BX	EXHAUST BLADE	X
20	141-497BX	EXHAUST BLADE SUPPORT	X
21	139-421BX	EXHAUST BLADE ARM	X
23	5400-010	METAL DBL LEAF HINGE 50 X 50MM	X
24	1171-072	1/4 TURN - WING KNOB LATCH	X
29	127-578BX	BASE	X
30	105-1461BX	EXHAUST SEAL ANGLE	X
31	1921-067-2303	23-3/16" DAMPER BLADE SEAL	X
33	141-499BX	BASE SUPPORT GUSSET	2
37	1921-067-1010	10-5/8" DAMPER BLADE SEAL	X
38	1921-067-2806	28-3/8" DAMPER BLADE SEAL	2

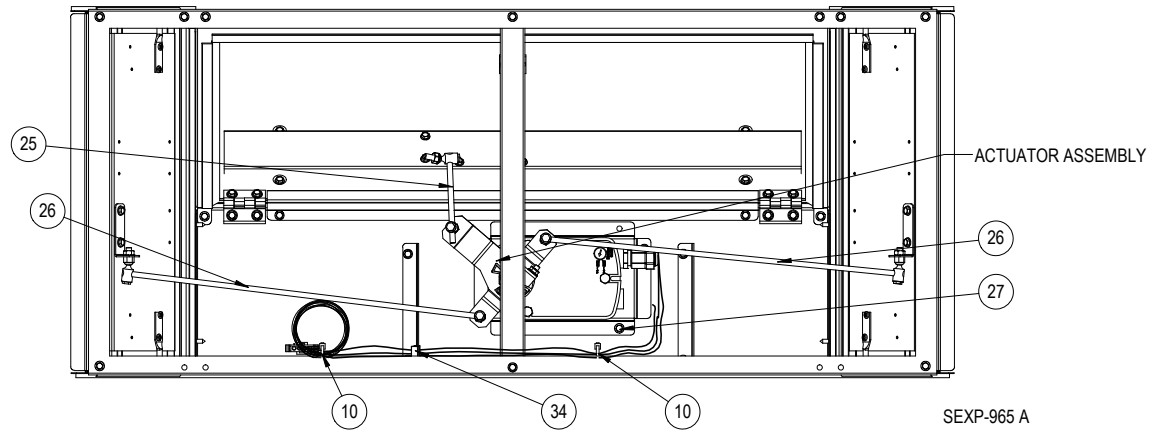
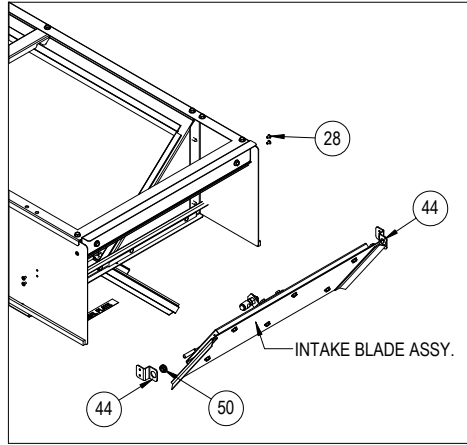
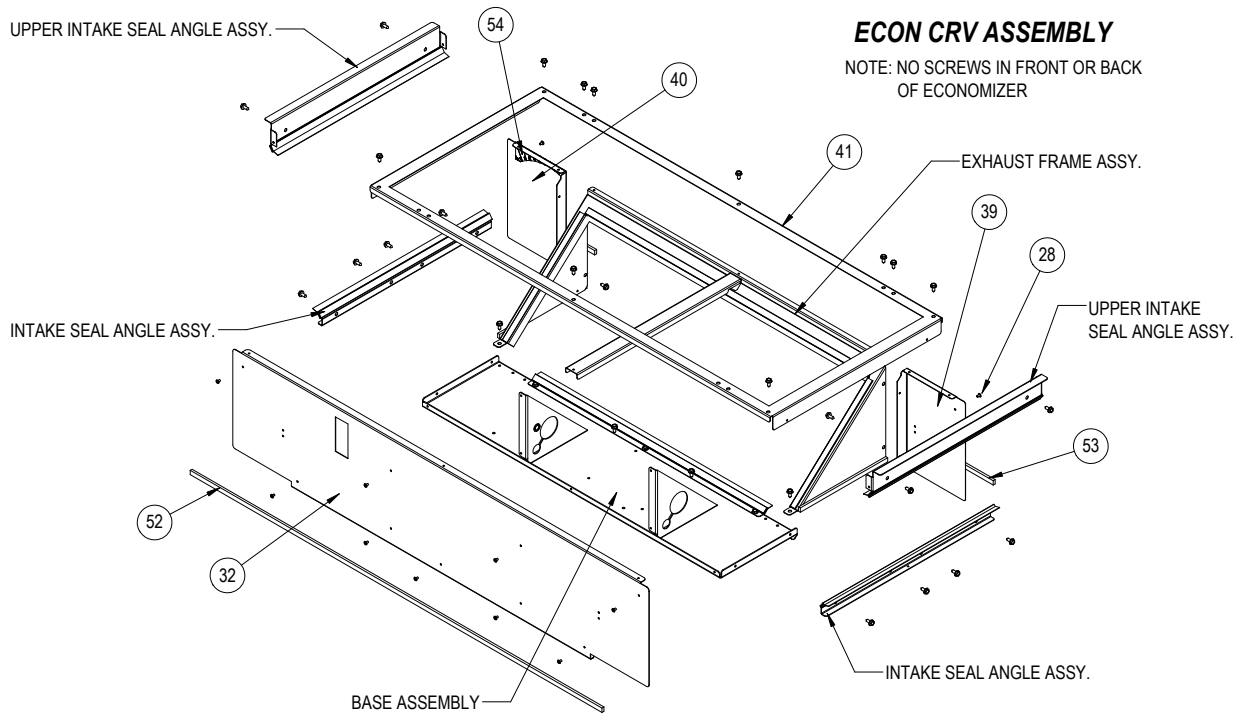
EXHAUST PARTITION ASSEMBLY/INTAKE SEAL ANGLE ASSEMBLY



EXHAUST PARTITION ASSEMBLY/INTAKE SEAL ANGLE ASSEMBLY

Drawing No.	Part No.	Description	ECON-WD5V
22	1913-079-0812	8-3/4" SFO W/PSA .197 X .375	2
35	105-1460BX	LOWER INTAKE SEAL ANGLE	X
36	139-422BX	EXHAUST FRAME	X
37	1921-067-1010	10-5/8" DAMPER BLADE SEAL	2
38	1921-067-2806	28-3/8" DAMPER BLADE SEAL	X
42	105-1459BX	UPPER INTAKE SEAL ANGLE	X
43	1921-067-1614	16-7/8" DAMPER BLADE SEAL	X

VENT ASSEMBLY



SEXP-965 A

VENT ASSEMBLY

Drawing No.	Part No.	Description	ECON-WD5V
10	7950-012	PUSH MOUNT CABLE TIE 6-1/8"	2
25	8602-104BX	1/4 X 4-1/4" ROD	X
26	8602-105BX	1/4 X 17-1/4" ROD	2
28	1012-110	POP RIVET STAINLESS STEEL	19
32	115-343BX	FRONT	X
34	8611-047	OPEN/CLOSE SNAP BUSHING 3/4"	X
39	139X439BX	REAR INTAKE PARTITION - RH	X
40	139Y439BX	REAR INTAKE PARTITION - LH	X
41	107-385BX	TOP	X
44	113-773BX	DAMPER PIVOT BRACKET	4
50	8611-239	1/2" SNAP-IN SMOOTH BORE BSHNG	4
52	1913-079-4104	41-1/4" SFO W/PSA .197 X .375	X
53	1913-079-0514	5-7/8" SFO W/PSA .197 X .375	2
54	7961-904	CRV BLADE POSITION LABEL	X
NS	7003-084	MIST FILTER	2
NS	7003-083	EXHAUST BUG SCREEN	X
NS	543-223BX	SIDE VENT BLOCK OFF PLATE ASSEMBLY	2
NS	539-405BX	INTAKE SEALING FRAME	2