

REPLACEMENT PARTS MANUAL

PACKAGE
AIR CONDITIONERS
MODEL P25A1, P31A2, P36A5

Manual 2110-201

Revision B

Date 8-15-90

Supersedes 4-01-90

* GENERAL NOTES *

*Revised and/or additional pages may be issued from time to time.
*A complete and current manual consists of pages dated as shown in the following index.

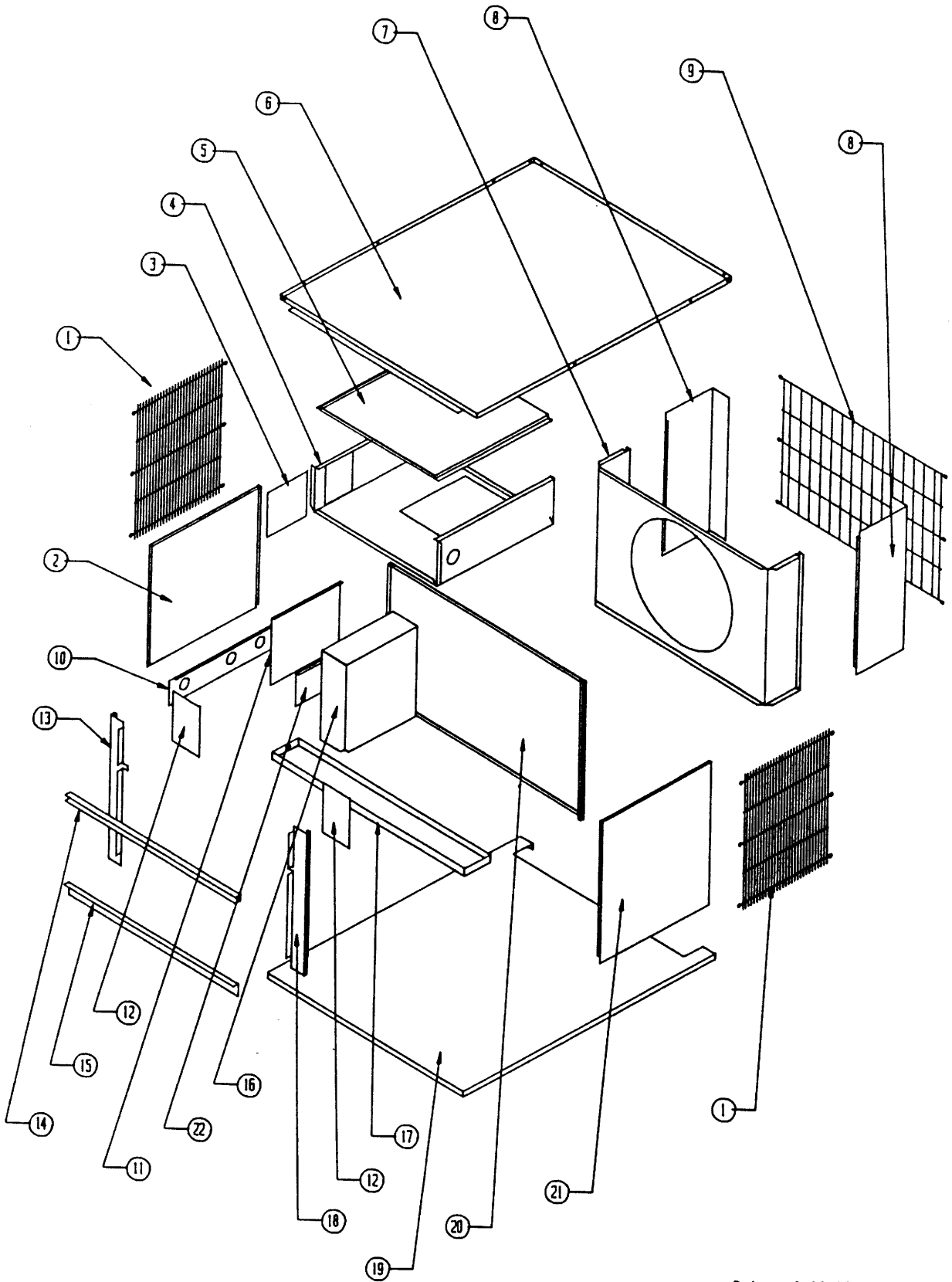
** INDEX **

<u>Page Description</u>	<u>Page</u>	<u>Date</u>	<u>Supersedes</u>
Cabinet Components--Exploded View	1	9-12-89	
" " --Usage List	2	9-12-89	
Functional Components--Exploded View	3	9-12-89	
" " --Usage List	4	8-15-90	4-01-90
Functional Components--Exploded View	5	9-12-89	
" " --Usage List	6	4-01-90	g-12-89
Control Panel--Layout	7	4-01-90	9-12-89
" " --Usage List	8	4-01-90	9-12-89

*** IMPORTANT ***

Contact the installing and/or local Bard distributor for all parts requirements. Make sure you have the complete model and serial number available from the unit rating plate.

CABINET COMPONENTS



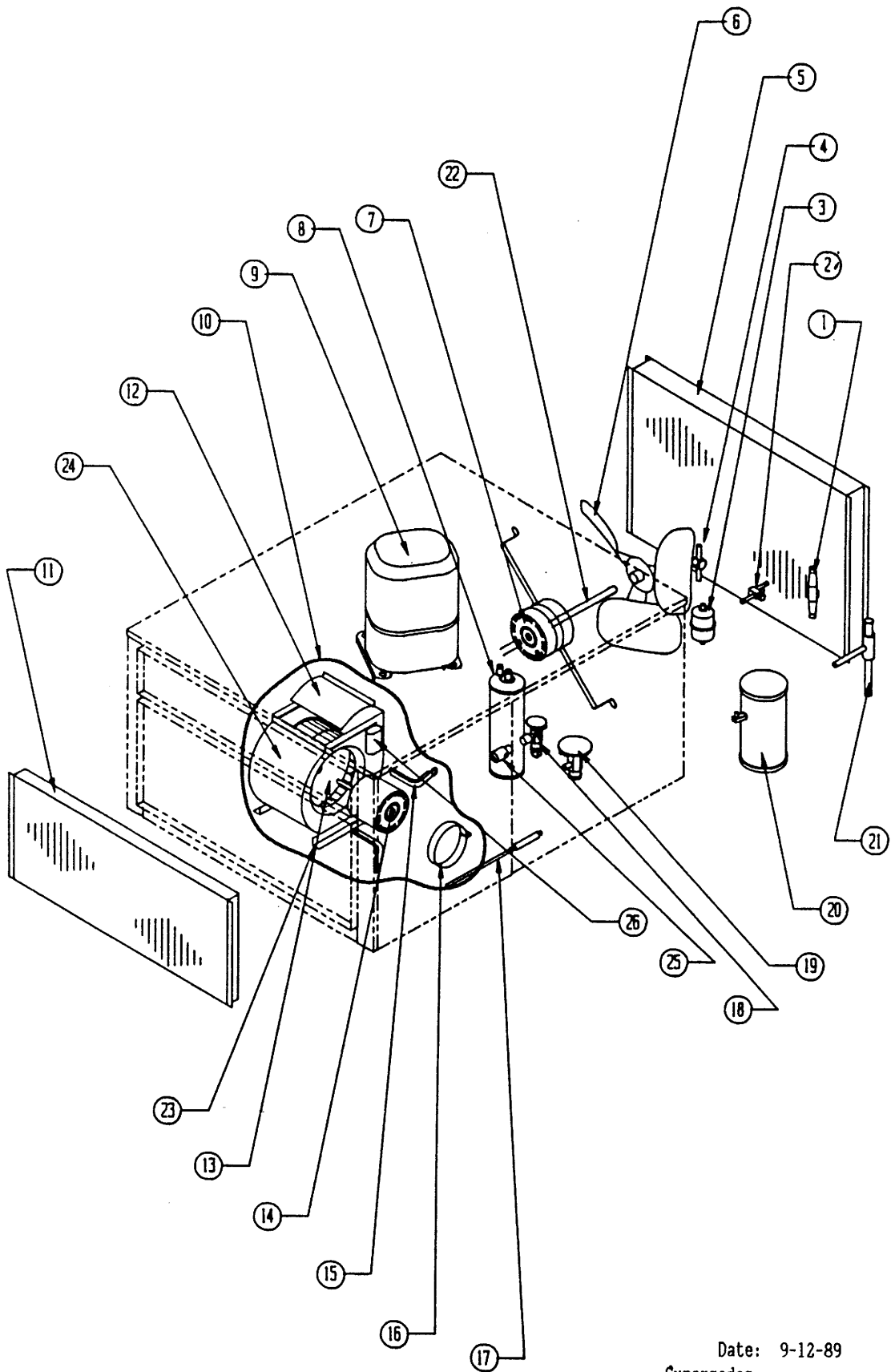
Date: 9-12-89
Supersedes:

CABINET COMPONENTS

Item	Part No.	Description	U S A G E
1	7051-015	Inlet Grille	2
2	500-133	Left Side	x
3	142-017	Cover Plate--OKW	x
4	520-092	Blower Partition (P25A only)	x
4	520-066	Blower Partition (all models except P25A)	x
5	134-017	Heat Strip Shield	x
6	506-011	Top	x
7	124-012	Fan Shroud (P25A only)	x
7	124-002	Fan Shroud (all models except P25A)	x
8	149-043	Rear Corner	2
9	7051-001	Condenser Grille	x
10	556-018	Entrance Panel	x
11	132-035	Control Panel Cover	x
12	136-086	Blower Fill Plates	2
13	549Y044	Left Front Cover	x
14	164-501	Plenum Channel	x
15	104-521	Plenum Angle	x
16	Cntrl Pnl Assembly	See Control Panel Drawing and Parts List	x x
17	123-043	Drain Pan	x
18	549X044	Right Front Corner	x
19	527-011	Base	x
20	520-070	Compressor Partition	x
21	500-132	Right Side	x
22	142-016	Entrance Cover	x

Date: 9-12-89
Supersedes:

FUNCTIONAL COMPONENTS



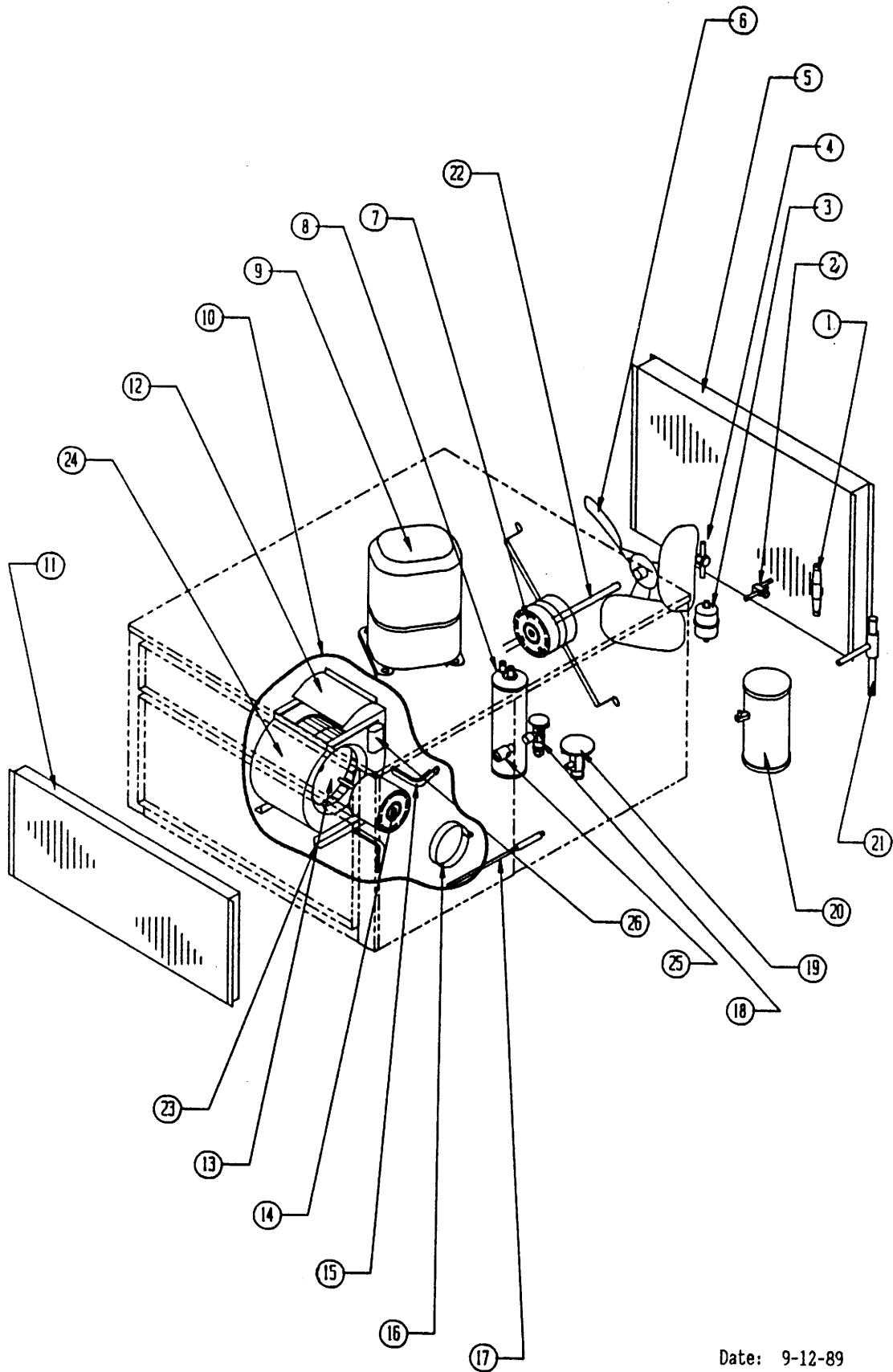
Date: 9-12-89
Supersedes:

FUNCTIONAL COMPONENTS

Dwg. No.	Part No.	Description	P	P	P	P	P	P	P	P	P	P	P	P	P	P
			2	2	3	3	3	3	3	3	3	3	3	3	3	3
			5	5	1	1	6	6	6	6	6	6	6	6	6	6
			A	A	A	A	A	A	A	A	A	A	A	A	A	A
			1	1	2	2	5	5	5	5	5	5	5	5	5	5
				D		D		/	B	B	C	C	D	E	F	
								H								
1	5651-016	Pressure Differential Valve						X		X		X				
2	5651-051	Shut Off Valve						X		X		X				
3	5201-001	Filter Drier						X		X		X				
4	5201-014	Sight Glass						X		X		X				
5	5051-034	Condenser Coil	X	X												
5	5051-035	Condenser Coil			X	X	X	X	X	X	X	X	X	X	X	X
6	5151-034	Fan Blade	X	X												
6	5151-004	Fan Blade			X	X	X	X	X	X	X	X	X	X	X	X
7	8103-016	Motor	X													
7	8103-019	Motor		X	X	X	X	X	X	X			X	X	X	
7	8103-014	Motor									X	X				
8	5202-014	Accumulator						X		X		X				
8	5202-016	Accumulator														
9	8000-111	Compressor	X													
9	8000-097	Compressor		X												
9	8000-112	Compressor			X											
9	8000-114	Compressor														
9	8000-054	Compressor				X										
9	8000-118	Compressor					X	X								
9	8000-055	Compressor							X	X					X	
9	8000-056	Compressor									X	X				X
9	8000-057	Compressor											X			
9	8000-039	Compressor												X		
10	900-146	Complete Blower Assembly	X	X												
10	900-132	Complete Blower Assembly			X	X										
10	900-134	Complete Blower Assembly														
10	900-133	Complete Blower Assembly					X	X	X	X			X	X	X	
10	900-135	Complete Blower Assembly									X	X				
11	5060-037	Evaporator Coil	X	X		X	X	X	X	X	X	X	X	X	X	X
12	144-156	Diffuser	X	X												
12	144-126	Diffuser			X	X	X	X	X	X	X	X	X	X	X	X
13	5152-008	Blower Wheel	X	X												
13	5152-010	Blower Wheel			X	X										
13	5152-013	Blower Wheel					X	X	X	X	X	X	X	X	X	X
14	8105-032	Motor	X	X												
14	8105-024	Motor			X	X	X	X	X	X			X	X	X	
14	8105-016	Motor									X	X				
15	8200-036	Motor Mount Arms	3	3												
15	8200-034	Motor Mount Arms			3	3	3	3	3	3	3	3	3	3	3	3

Date: 8-15-90
Supersedes: 4-01-90

FUNCTIONAL COMPONENTS (Continued)



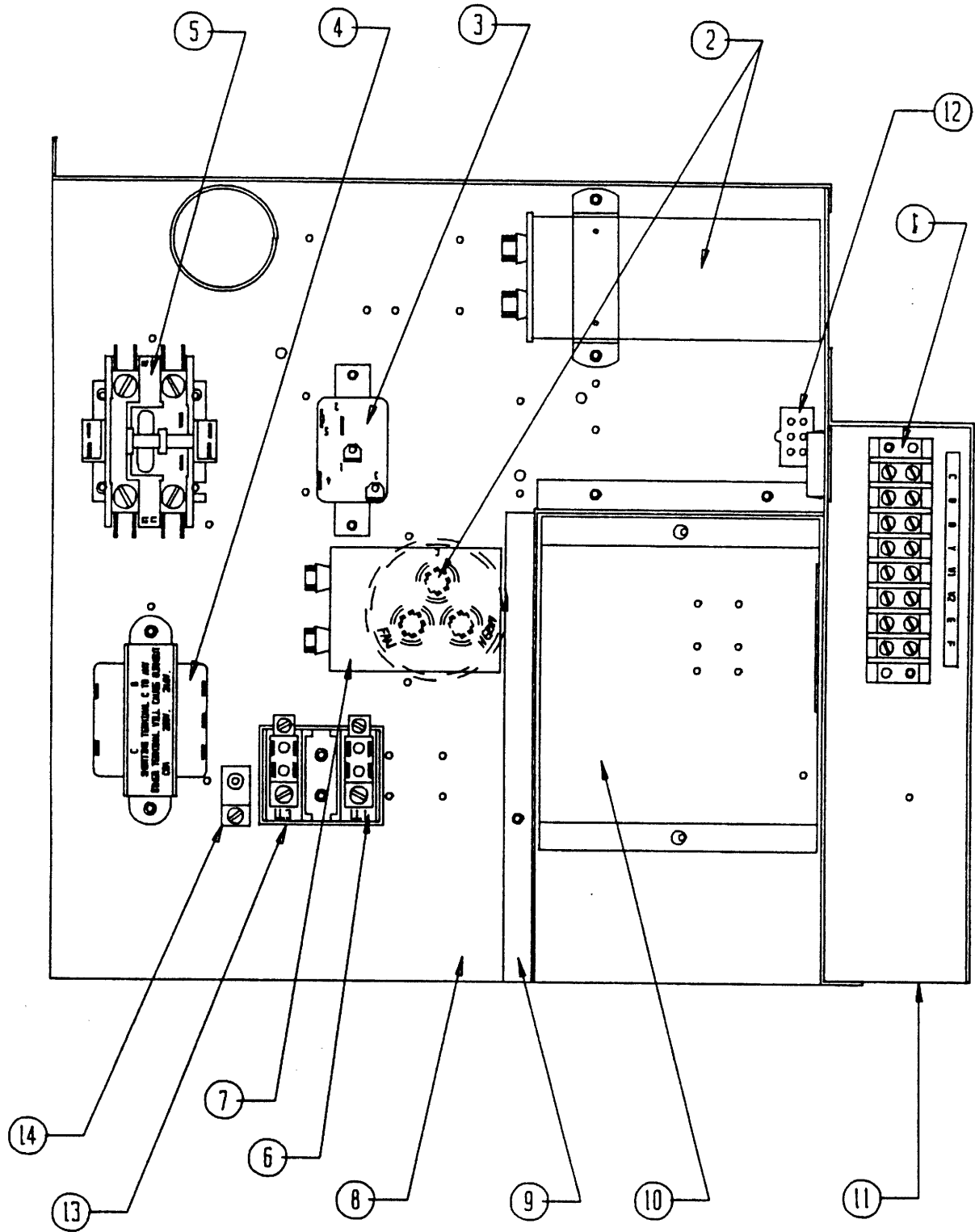
Date: 9-12-89
Supersedes:

FUNCTIONAL COMPONENTS (Continued)

Dwg. No.	Part No.	Description	P	P	P	P	P	P	P	P	P	P	P	P	P
			2	2	3	3	3	3	3	3	3	3	3	3	3
			A	A	A	A	A	A	A	A	A	A	A	A	A
			1	1	2	2	5	5	5	5	5	5	5	5	5
				D		D		H	B	B	C	C	D	E	F
								/	/	/	/	/	/	/	/
								H	H	H	H	H	H	H	H
16	8200-033	Motor Mount Band	X	X	X	X	X	X	X	X	X	X	X	X	X
17	800-0048	Capillary Tube Assenbly	X	X											
17	800-0049	Capillary Tube Assenbly			X	X									
17	800-0050	Capillary Tube Assenbly					X		X		X		X	X	X
18	5651-039	Expansion Valve						X		X		X			
19	5651-064	Hot Gas Bypass Valve						X		X		X			
20	5203-004	Receiver						X		X		X			
21	5651-015	Head Pressure Control Valve						X		X		X			
22	8200-001	Motor Mount	X	X	X	X	X	X	X	X	X	X	X	X	X
23	104-787	Blower Angles	2	2	2	2	2	2	2	2	2	2	2	2	2
24	151-088	Blower Housing	X	X											
24	151-068	Blower Housing			X	X	X	X	X	X	X	X	X	X	X
25	5651-026	Distributor						X		X		X			
26	8552-002	Capacitor 5/370	X	X	X	X	X	X	X	X	X	X	X	X	X

Date: 4-01-90
Supersedes: 9-12-89

CONTROL PANEL



Date: 4-01-90
Supersedes: 9-12-89

CONTROL PANEL

Dwg. No.	Part No.	Description	P	P	P	P	P	P	P	P	P	P	P	P	P	P
			2 5 A 1	2 5 A 1 D	3 1 A 2	3 1 A 2 D	3 6 A 5	3 6 A 5 / H	3 6 A 5 B	3 6 A 5 B / H	3 6 A 5 C	3 6 A 5 C / H	3 6 A 5 D	3 6 A 5 E	3 6 A 5 F	
1	8607-006	Terminal Strip	X	X	X	X	X	X	X	X	X	X	X	X	X	X
2	8552-028	Capacitor 35/440													X	
2	8552-048	Capacitor 35/5 - 370	X	X												
2	8552-050	Capacitor 40/5 - 370					X	X								
2	8552-052	Capacitor 45/5 - 370			X	X										
3	8201-008	Blower Relay	X	X	X	X	X	X	X				X	X	X	
3	8201-032	Blower Relay								X	X					
4	8407-034	Transformer	X	X	X	X	X	X	X			X	X		X	X
4	8407-027	Transformer								X	X					
5	8401-007	Contactora	X	X	X	X	X						X			
5	8401-002	Contactora						X	X	X	X			X	X	
6	8607-013	Terminal Block	X	X	X	X	X						X			2
6	8607-014	Terminal Block						X	X	X	X			X		
7	8552-002	Capacitor 5/370						X	X	X	X			X	X	
8	516-071	Control Panel	X	X	X	X	X	X	X	X	X	X	X	X	X	X
9	116X076	Control Panel Partition	X	X	X	X	X	X	X	X	X	X	X	X	X	X
10	134-095	Terminal Block Shield	X	X	X	X	X	X	X	X	X	X	X	X	X	X
11	116X072	Low Voltage Box	X	X	X	X	X	X	X	X	X	X	X	X	X	X
12	3000-901	Wire Assembly			X	X	X	X	X	X	X	X	X	X	X	X
12	3000-948	Wire Assembly	X	X												
13	8607-015	Phenolic Insulator								X	X					
13	134-051	Terminal Block Barrier														X
14	8611-006	Ground Terminal	X	X	X	X	X	X	X	X	X	X	X	X	X	X
	4063-119	Wiring Diagram			X		X	X								
	4063-118	Wiring Diagram	X													
	4063-210	Wiring Diagram						X	X					X		
	4063-310	Wiring Diagram								X	X					
	4063-410	Wiring Diagram										X				
	4063-414	Wiring Diagram		X												
	4063-415	Wiring Diagram				X										
	4063-610	Wiring Diagram														X

Date: 4-01-90
Supersedes: 9-12-89