

REPLACEMENT PARTS MANUAL

PACKAGE AIR CONDITIONERS MODEL P48A5, P60A6

Manual 2110-202

Revision A

Date 1-25-90

Supersedes 9-28-89

* GENERAL NOTES *

*Revised and/or additional pages may be issued from time to time.
*A complete and current manual consists of pages dated as shown in the following index.

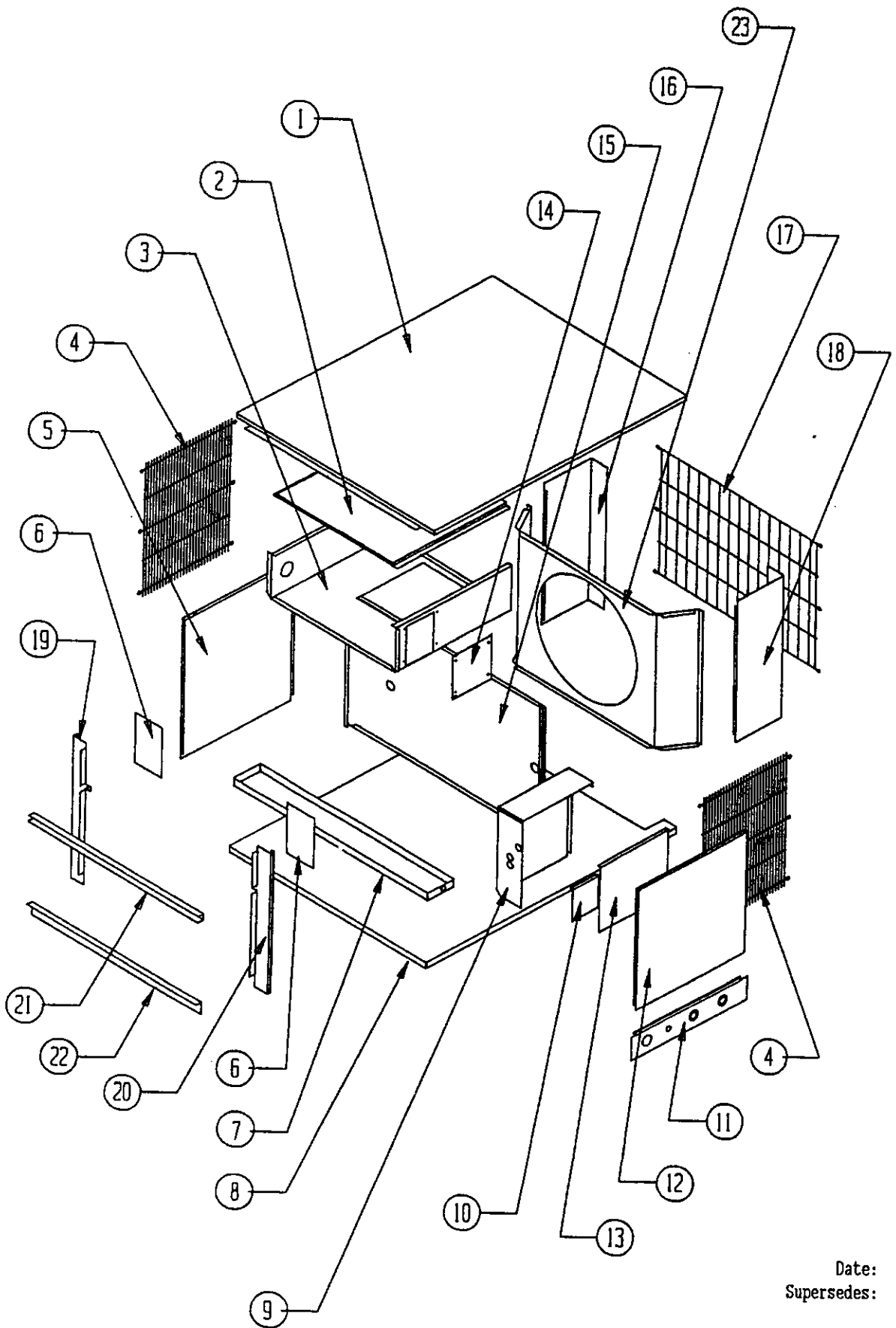
** INDEX **

| <u>Page Description</u> | <u>Page</u> | <u>Date</u> | <u>Supersedes</u> |
|--------------------------------------|-------------|-------------|-------------------|
| Cabinet Components--Exploded View | 1 | 9-28-89 | |
| " " --Usage List | 2 | 9-28-89 | |
| Functional Components--Exploded View | 3 | 9-28-89 | |
| " " --Usage List | 4 | 9-28-89 | |
| Functional Components--Exploded View | 5 | 1-25-90 | 9-28-89 |
| " " --Usage List | 6 | 1-25-90 | 9-28-89 |
| Control Panel--Layout | 7 | 9-28-89 | |
| " " --Usage List | 8 | 9-28-89 | |

*** IMPORTANT ***

Contact the installing and/or local Bard distributor for all parts requirements. Make sure you have the complete model and serial number available from the unit rating plate.

CABINET COMPONENTS



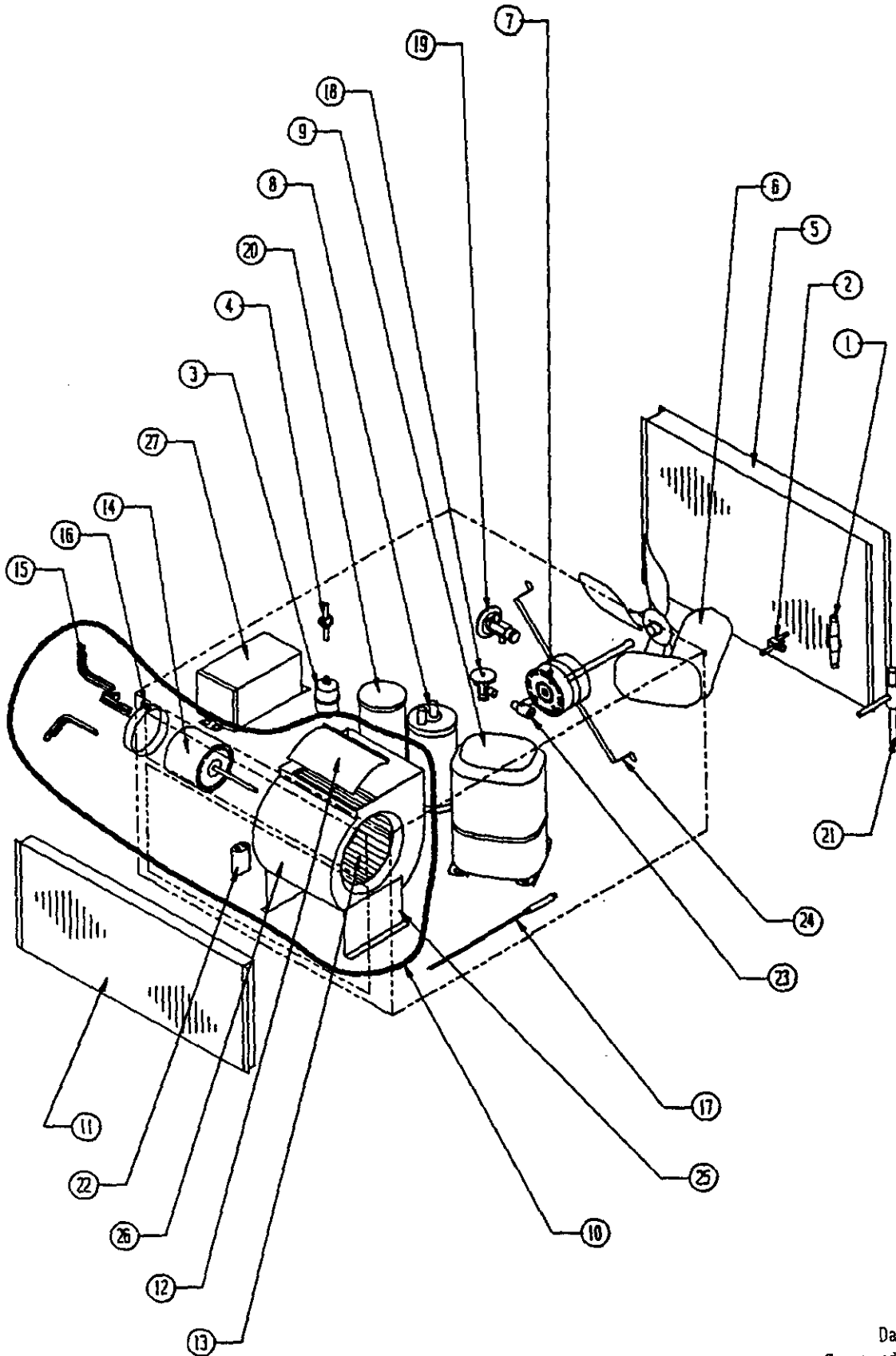
Date: 9-28-89
Supersedes:

CABINET COMPONENTS

| Item | Part No. | Description | U S A G E |
|------|---------------|------------------------------------------|-----------------------|
| 1 | 506-012 | Top | X |
| 2 | 134-021 | Heat Strip Shield | X |
| 3 | 520-067 | Blower Partition | X |
| 4 | 7051-007 | Side Grille | 2 |
| 5 | 500-144 | Left Side | X |
| 6 | 136-011 | Side Fills | 2 |
| 7 | 123-048 | Drain Pan | X |
| 8 | 527-012 | Base | X |
| 9 | Control Panel | See control panel drawing and parts list | X |
| 10 | 142-016 | Entrance Cover Plate | X |
| 11 | 556-015 | Entrance Panel | X |
| 12 | 500-020 | Right Side | X |
| 13 | 132-035 | Control Panel Cover | X |
| 14 | 142-017 | OKW Cover Plate | X |
| 15 | 520-069 | Compressor Partition | X |
| 16 | 149-053 | Left Rear Corner | X |
| 17 | 7051-005 | Condenser Grille | X |
| 18 | 149-052 | Right Rear Corner | X |
| 19 | 549-050 | Left Front Corner | X |
| 20 | 549-016 | Right Front Corner | X |
| 21 | 164-502 | Plenum Channel | X |
| 22 | 104-525 | Plenum Angle | X |
| 23 | 124-010 | Fan Shroud | X |

Date: 9-28-89
Supersedes:

FUNCTIONAL COMPONENTS



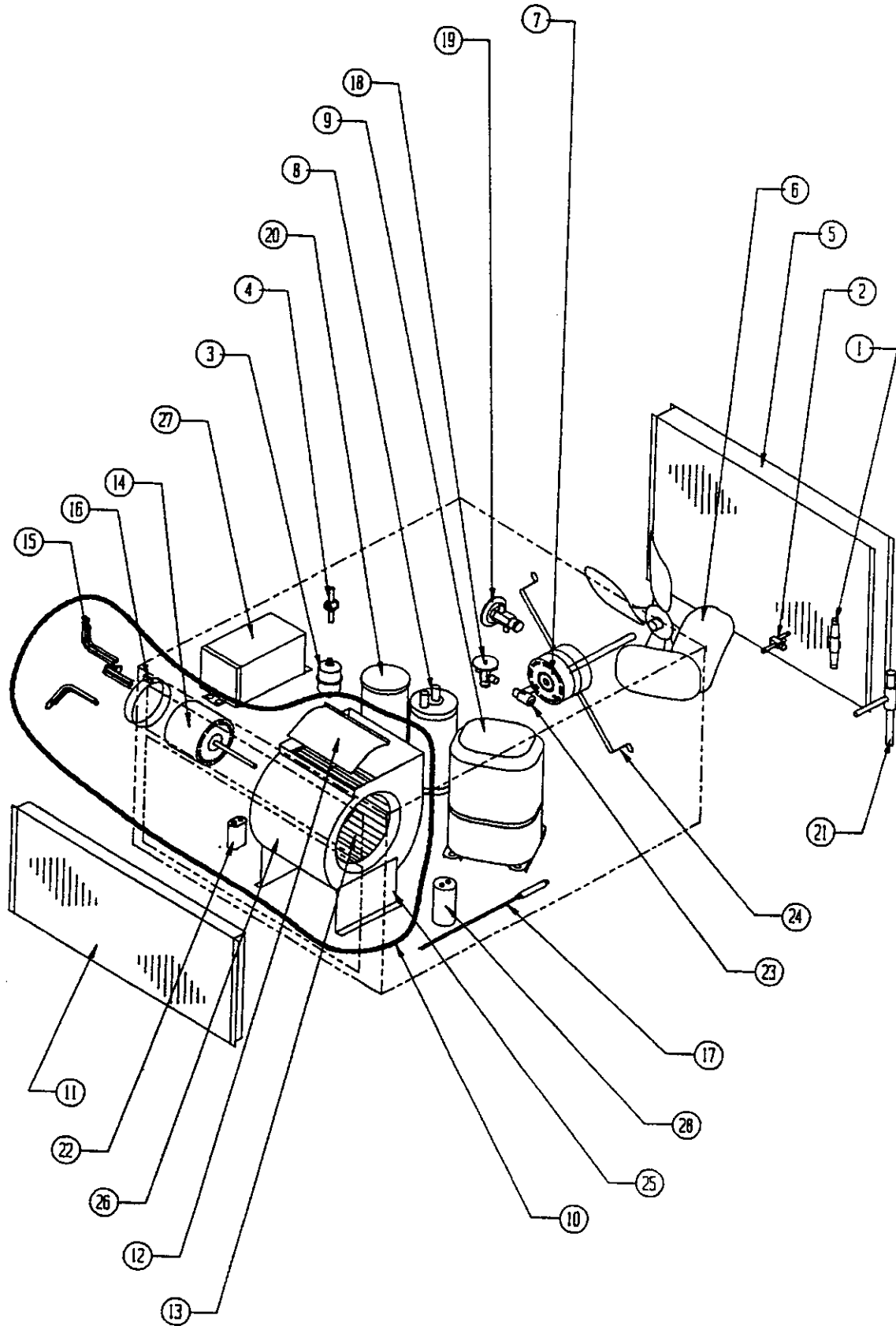
Date: 9-28-89
Supersedes:

FUNCTIONAL COMPONENTS

| Dwg. No. | Part No. | Description | P 4 8 A 5 | P 4 8 A 5 / H | P 4 8 A 5 B | P 4 8 A 5 B / H | P 4 8 A 5 C | P 4 8 A 5 C / H | P 4 8 A 5 E | P 4 8 A 5 F | P 4 8 A 5 G | P 6 0 A 6 | P 6 0 A 6 / H | P 6 0 A 6 B | P 6 0 A 6 B / H | P 6 0 A 6 C | P 6 0 A 6 C / H | P 6 0 A 6 E | P 6 0 A 6 F | P 6 0 A 6 G | |
|----------|----------|-----------------------------|-----------|---------------|---------------|-------------------|---------------|-------------------|---------------|---------------|---------------|-----------|---------------|---------------|-------------------|---------------|-------------------|---------------|---------------|---------------|---|
| 1 | 5651-016 | Pressure Differential Valve | | X | | X | | X | | | | | X | | X | | X | | | | |
| 2 | 5651-051 | Shutoff Valve | | X | | X | | X | | | | | X | | X | | X | | | | |
| 3 | 5201-002 | Filter Drier | | X | | X | | X | | | | | X | | X | | X | | | | |
| 4 | 5201-014 | Sight Glass | | X | | X | | X | | | | | X | | X | | X | | | | |
| 5 | 5051-027 | Condenser Coil | X | X | X | X | X | X | X | X | X | | | | | | | | | | |
| 5 | 5051-028 | Condenser Coil | | | | | | | | | | X | X | X | X | X | X | X | X | X | X |
| 6 | 5151-029 | Fan Blade | X | X | X | X | X | X | X | X | X | | | | | | | | | | |
| 6 | 5151-030 | Fan Blade | | | | | | | | | | X | X | X | X | X | X | X | X | X | X |
| 7 | 8105-035 | Motor | X | X | X | X | X | X | | | | | | | | | | | | | |
| 7 | 8106-016 | Motor | | | | | | | | | | X | X | X | X | X | X | | | | |
| 7 | 8105-014 | Motor | | | | | | | X | X | X | | | | | | | | X | X | X |
| 8 | 5202-011 | Accumulator | | X | | X | | X | | | | | | | | | | | | | |
| 8 | 5202-017 | Accumulator | | | | | | | | | | | X | | X | | X | | | | |
| 9 | 8000-081 | Compressor | X | X | | | | | | | X | | | | | | | | | | |
| 9 | 8000-082 | Compressor | | | X | X | | | X | | | | | | | | | | | | |
| 9 | 8000-083 | Compressor | | | | | X | X | | X | | | | | | | | | | | |
| 9 | 8000-091 | Compressor | | | | | | | | | | X | X | | | | | | | | |
| 9 | 8000-031 | Compressor | | | | | | | | | | | | X | X | | | | | | |
| 9 | 8000-048 | Compressor | | | | | | | | | | | | | | X | X | | | | |
| 9 | 8000-078 | Compressor | | | | | | | | | | | | | | | | X | | | |
| 9 | 8000-079 | Compressor | | | | | | | | | | | | | | | | | X | | |
| 9 | 8000-077 | Compressor | | | | | | | | | | | | | | | | | | | X |
| 10 | 900-139 | Complete Blower Assembly | X | X | X | X | X | X | | | | X | X | X | X | X | X | X | | | |
| 10 | 900-138 | Complete Blower Assembly | | | | | | | X | X | X | | | | | | | | X | X | X |
| 11 | 5060-036 | Evaporator Coil | X | X | X | X | X | X | X | X | | | | | | | | | | | |
| 11 | 5060-039 | Evaporator Coil | | | | | | | | | | X | | X | | | | | X | X | X |
| 11 | 5060-025 | Evaporator Coil | | | | | | | | | | | X | | X | | | | X | X | X |
| 12 | 144-129 | Blower Diffuser | X | X | X | X | X | X | X | X | X | X | X | X | X | X | X | X | X | X | X |
| 13 | 5152-015 | Blower Wheel | X | X | X | X | X | X | X | X | X | X | X | X | X | X | X | X | X | X | X |
| 14 | 8106-015 | Motor | X | X | X | X | X | X | | | | X | X | X | X | X | X | | | | |
| 14 | 8108-002 | Motor | | | | | | | X | X | X | | | | | | | | X | X | X |
| 15 | 8200-034 | Motor Mount Arm | 3 | 3 | 3 | 3 | 3 | 3 | 3 | 3 | 3 | 3 | 3 | 3 | 3 | 3 | 3 | 3 | 3 | 3 | 3 |
| 16 | 8200-033 | Motor Mount Band | X | X | X | X | X | X | X | X | X | X | X | X | X | X | X | X | X | X | X |
| 17 | 800-0062 | Capillary Tube Assembly | X | | X | | X | | X | X | X | | | | | | | | X | X | X |
| 17 | 800-0063 | Capillary Tube Assembly | | | | | | | | | | X | | X | | | | | X | X | X |
| 18 | 5651-040 | Expansion Valve | | X | | X | | X | | | | | X | | X | | X | | | | |
| 19 | 5651-064 | Bypass Valve | | X | | X | | X | | | | | X | | X | | X | | | | |

Date: 9-28-89
Supersedes:

FUNCTIONAL COMPONENTS (continued)



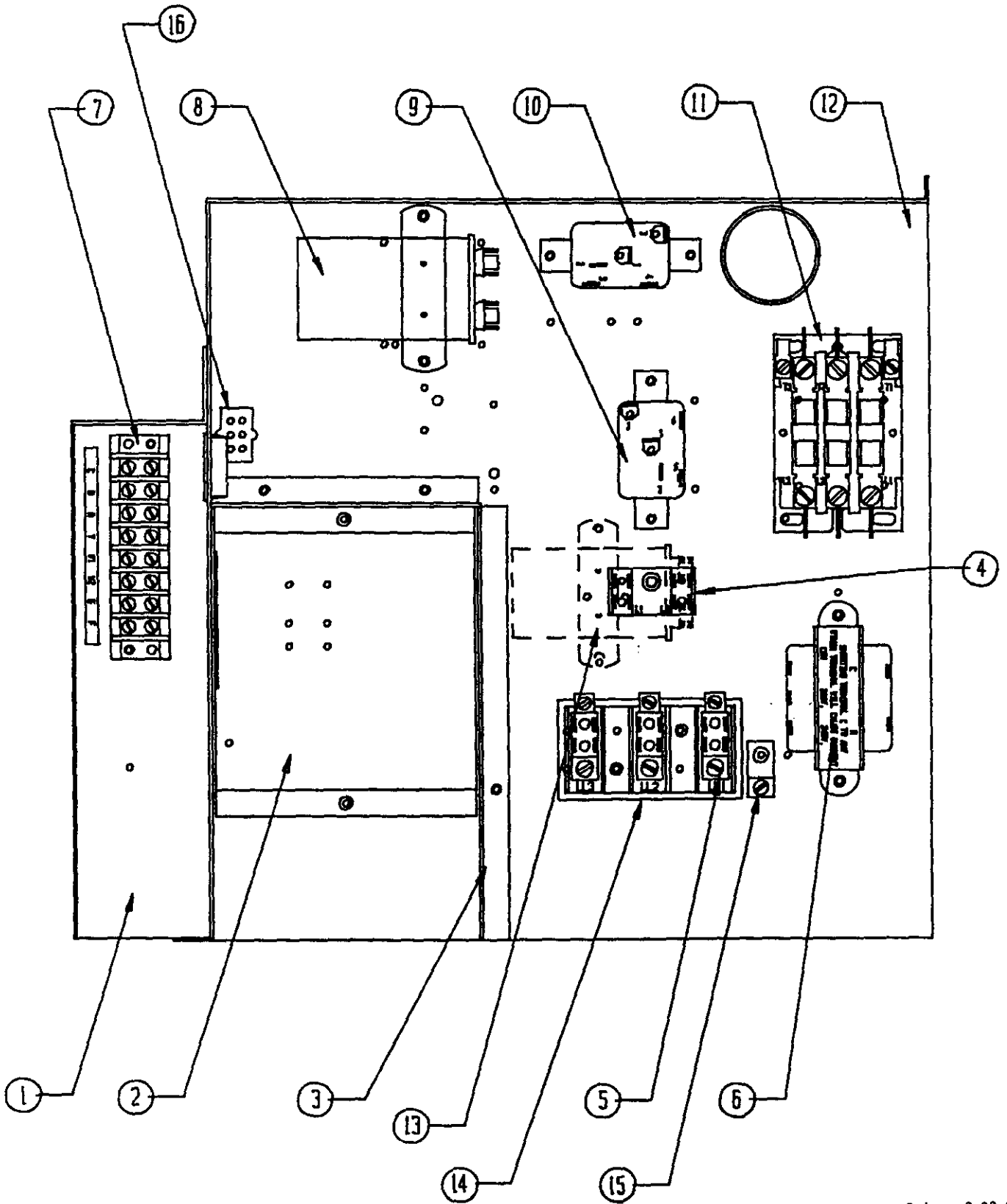
Date: 1-25-90
Supersedes: 9-28-89

FUNCTIONAL COMPONENTS (continued)

| Dwg. No. | Part No. | Description | P | P | P | P | P | P | P | P | P | P | P | P | P | P | P | P | P | P |
|----------|----------|-----------------------------|---|---|---|---|---|---|---|---|---|---|---|---|---|---|---|---|---|---|
| | | | 4 | 4 | 4 | 4 | 4 | 4 | 4 | 4 | 4 | 6 | 6 | 6 | 6 | 6 | 6 | 6 | 6 | 6 |
| | | | 8 | 8 | 8 | 8 | 8 | 8 | 8 | 0 | 0 | 0 | 0 | 0 | 0 | 0 | 0 | 0 | 0 | 0 |
| | | | A | A | A | A | A | A | A | A | A | A | A | A | A | A | A | A | A | A |
| | | | 5 | 5 | 5 | 5 | 5 | 5 | 5 | 6 | 6 | 6 | 6 | 6 | 6 | 6 | 6 | 6 | 6 | 6 |
| | | | | / | | | | | | | / | | | | | | | | | |
| | | | | H | B | B | C | C | E | | H | B | B | C | C | E | E | F | F | G |
| | | | | | | / | / | / | | | | | | | | | | | | |
| 20 | 5203-005 | Receiver | | x | | x | | x | | | | | | | | | | | | |
| 20 | 5203-006 | Receiver | | | | | | | | | x | | x | | x | | | | | |
| 21 | 5651-015 | Head Pressure Control Valve | | x | | x | | x | | | | x | | x | | x | | | | |
| 22 | 8552-005 | Capacitor 10/370 | x | x | x | x | x | x | x | x | x | x | x | x | x | x | x | x | x | x |
| 23 | 5651-049 | Distributor | | x | | x | | x | | | | | | | | | | | | |
| 23 | 5651-008 | Distributor | | | | | | | | | | x | | x | | x | | | | |
| 24 | 8200-004 | Fan Motor Mount | x | x | x | x | x | x | x | x | x | x | x | x | x | x | x | x | x | x |
| 25 | 104-795 | Blower Leg | 2 | 2 | 2 | 2 | 2 | 2 | 2 | 2 | 2 | 2 | 2 | 2 | 2 | 2 | 2 | 2 | 2 | 2 |
| 26 | 151-082 | Blower Housing | x | x | x | x | x | x | x | x | x | x | x | x | x | x | x | x | x | x |
| 27 | 8407-004 | Transformer 460V | | | | | x | x | | | | | | | | x | x | | | |
| 28 | 8552-034 | Capacitor 15/440 | | | | | | | | | | | | | | | | | | x |
| 28 | 8552-030 | Capacitor 40/440 | | | | | | | | | | | | | | | | | | x |

Date: 1-25-90
Supersedes: 9-28-89

CONTROL PANEL



Date: 9-28-89
Supersedes:

CONTROL PANEL

| Dwg. No. | Part No. | Description | P 4 8 A 5 | P 4 8 A 5 / H | P 4 8 A 5 B | P 4 8 A 5 B / H | P 4 8 A 5 C | P 4 8 A 5 C / H | P 4 8 A 5 E | P 4 8 A 5 F | P 4 8 A 5 G | P 6 0 A 6 | P 6 0 A 6 / H | P 6 0 A 6 B | P 6 0 A 6 B / H | P 6 0 A 6 C | P 6 0 A 6 C / H | P 6 0 A 6 E | P 6 0 A 6 F | P 6 0 A 6 G | |
|----------|----------|-------------------------|-----------------------|------------------------------|------------------------------|-------------------------------------|------------------------------|-------------------------------------|------------------------------|------------------------------|------------------------------|-----------------------|------------------------------|------------------------------|-------------------------------------|------------------------------|-------------------------------------|------------------------------|------------------------------|------------------------------|---|
| 1 | 1167072 | Low Voltage Box | X | X | X | X | X | X | X | X | X | X | X | X | X | X | X | X | X | X | X |
| 2 | 134-095 | Terminal Block Shield | X | X | X | X | X | X | X | X | X | X | X | X | X | X | X | X | X | X | X |
| 3 | 1167076 | Control Panel Partition | X | X | X | X | X | X | X | X | X | X | X | X | X | X | X | X | X | X | X |
| 4 | 8607-017 | Terminal Block | | | | | X | X | | | | | | | | X | X | | | | |
| 5 | 8607-013 | Terminal Block | X | X | | | | | | 2 | X | X | X | | | | | | | 2 | X |
| 5 | 8607-014 | Terminal Block | | | X | X | X | X | X | | | | | X | X | X | X | X | X | | |
| 6 | 8407-034 | Transformer | X | X | X | | | | X | X | X | X | X | X | | | | | X | X | X |
| 6 | 8407-035 | Transformer | | | | X | X | X | | | | | | | X | X | X | | | | |
| 7 | 8607-006 | Terminal Strip | X | X | X | X | X | X | X | X | X | X | X | X | X | X | X | X | X | X | X |
| 8 | 8552-030 | Capacitor 40/440 | X | X | | | | | | | X | | | | | | | | | | |
| 8 | 8552-031 | Capacitor 45/440 | | | | | | | | | | X | X | | | | | | | | |
| 8 | 8552-005 | Capacitor 10/370 | | | | | | | X | | | | | | | | | | | X | |
| 8 | 8552-026 | Capacitor 15/370 | | | | | X | X | | | | | | | | | | | | | |
| 8 | 8552-004 | Capacitor 7-1/2 /370 | | | | | | | | | | | | | | X | X | | | | |
| 9 | 8201-008 | Blower Relay | X | X | X | X | X | X | X | X | X | X | X | X | X | X | X | X | X | X | X |
| 10 | 8201-008 | Blower Relay | | | | | X | X | | | | | | | | X | X | | | | |
| 11 | 8401-003 | Contactor | X | X | | | | | | | X | | | | | | | | | | |
| 11 | 8401-002 | Contactor | | | X | X | X | X | X | X | | | | | | X | X | | | X | |
| 11 | 8401-016 | Contactor | | | | | | | | | | X | X | | | | | | | | |
| 11 | 8401-011 | Contactor | | | | | | | | | | | | X | X | | | | X | | |
| 11 | 8401-001 | Contactor | | | | | | | | | | | | | | | | | | | X |
| 12 | 516-079 | Control Panel | X | X | X | X | X | X | X | X | X | X | X | X | X | X | X | X | X | X | X |
| 13 | 8552-026 | Capacitor 15/370 | | | | | | | X | | | | | | | | | | | | |
| 13 | 8552-005 | Capacitor 10/370 | X | X | X | X | | | | X | | | | | | | | | X | | X |
| 13 | 8552-004 | Capacitor 7-1/2 /370 | | | | | | | | | | X | X | X | X | | | | | | |
| 14 | 8607-015 | Phenolic Insulator | | | | | X | X | | | | | | | | X | X | | | | |
| 14 | 134-051 | Terminal Block Barrier | | | | | | | | X | | | | | | | | | | X | |
| 15 | 8611-006 | Ground Terminal | X | X | X | X | X | X | X | X | X | X | X | X | X | X | X | X | X | X | X |
| 16 | 3000-901 | Wire Assembly | X | X | X | X | X | X | X | X | X | X | X | X | X | X | X | X | X | X | X |
| | 4064-110 | Wiring Diagram | X | X | | | | | | | | X | X | | | | | | | | |
| | 4064-210 | Wiring Diagram | | | X | X | | | | | | | | X | X | | | | | | |
| | 4064-310 | Wiring Diagram | | | | | X | X | | | | | | | | X | X | | | | |
| | 4064-510 | Wiring Diagram | | | | | | | X | | | | | | | | | | X | | |
| | 4064-610 | Wiring Diagram | | | | | | | | X | | | | | | | | | | X | |
| | 4064-411 | Wiring Diagram | | | | | | | | | X | | | | | | | | | | |
| | 4064-410 | Wiring Diagram | | | | | | | | | | | | | | | | | | | X |

Date: 9-28-89
Supersedes:

