

REPLACEMENT PARTS MANUAL

PACKAGE AIR CONDITIONERS MODEL P48A5, P60A6

Manual 2110-202

Revision B

Date 8-10-90

Supersedes 1-25-90

* GENERAL NOTES *

*Revised and/or additional pages may be issued from time to time.
*A complete and current manual consists of pages dated as shown in the following index.

** INDEX **

<u>Page Description</u>	<u>Page</u>	<u>Date</u>	<u>Supersedes</u>
Cabinet Components--Exploded View	1	9-28-89	
" " --Usage List	2	9-28-89	
Functional Components--Exploded View	3	9-28-89	
" " --Usage List	4	8-10-90	9-28-89
Functional Components--Exploded View	5	1-25-90	9-28-89
" " --Usage List	6	1-25-90	9-28-89
Control Panel--Layout	7	9-28-89	
" " --Usage List	8	9-28-89	

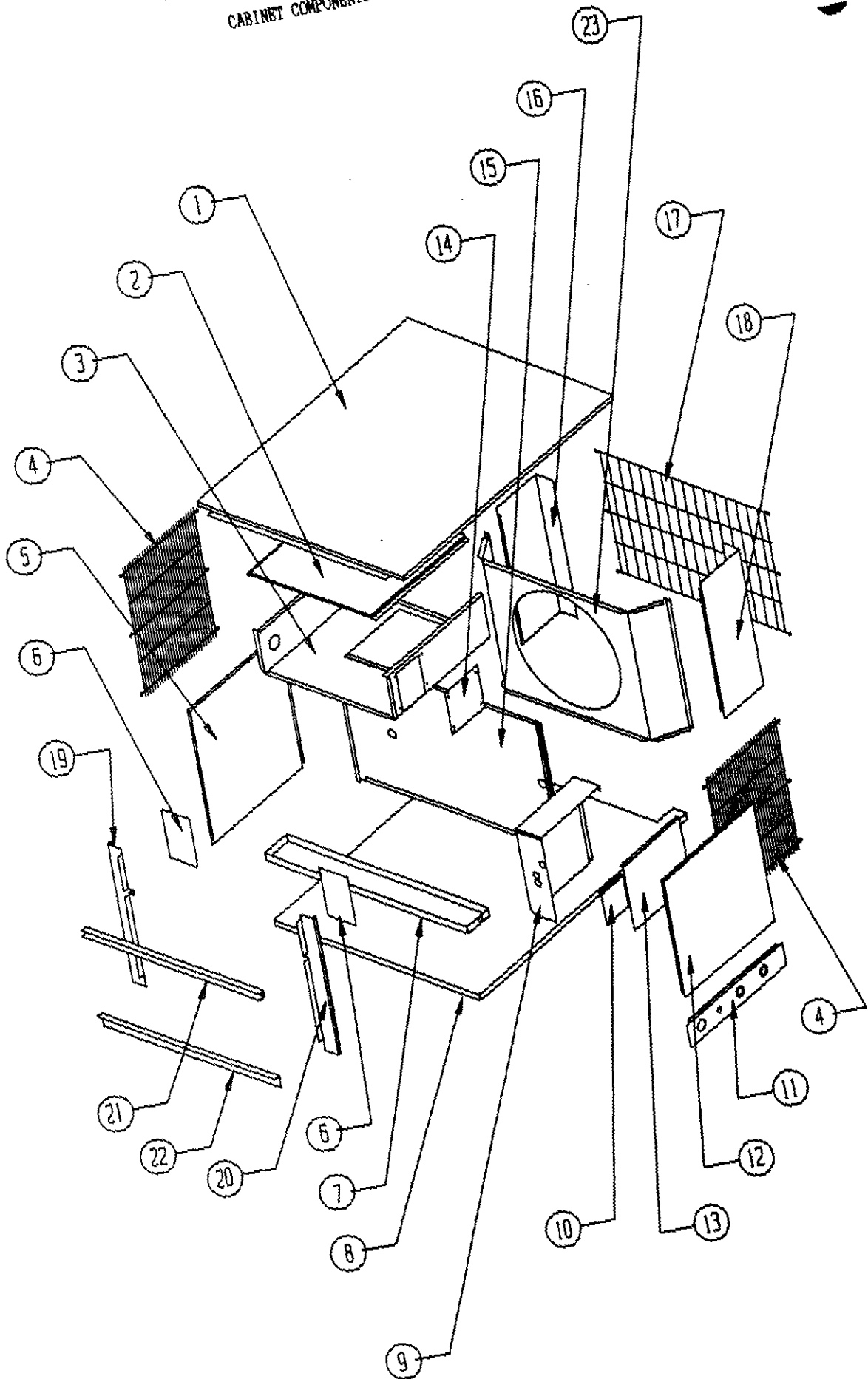
*** IMPORTANT ***

Contact the installing and/or local Bard distributor for all parts requirements. Make sure you have the complete model and serial number available from the unit rating plate.

BARD MANUFACTURING COMPANY

BRYAN, OHIO 43506

CABINET COMPONENTS

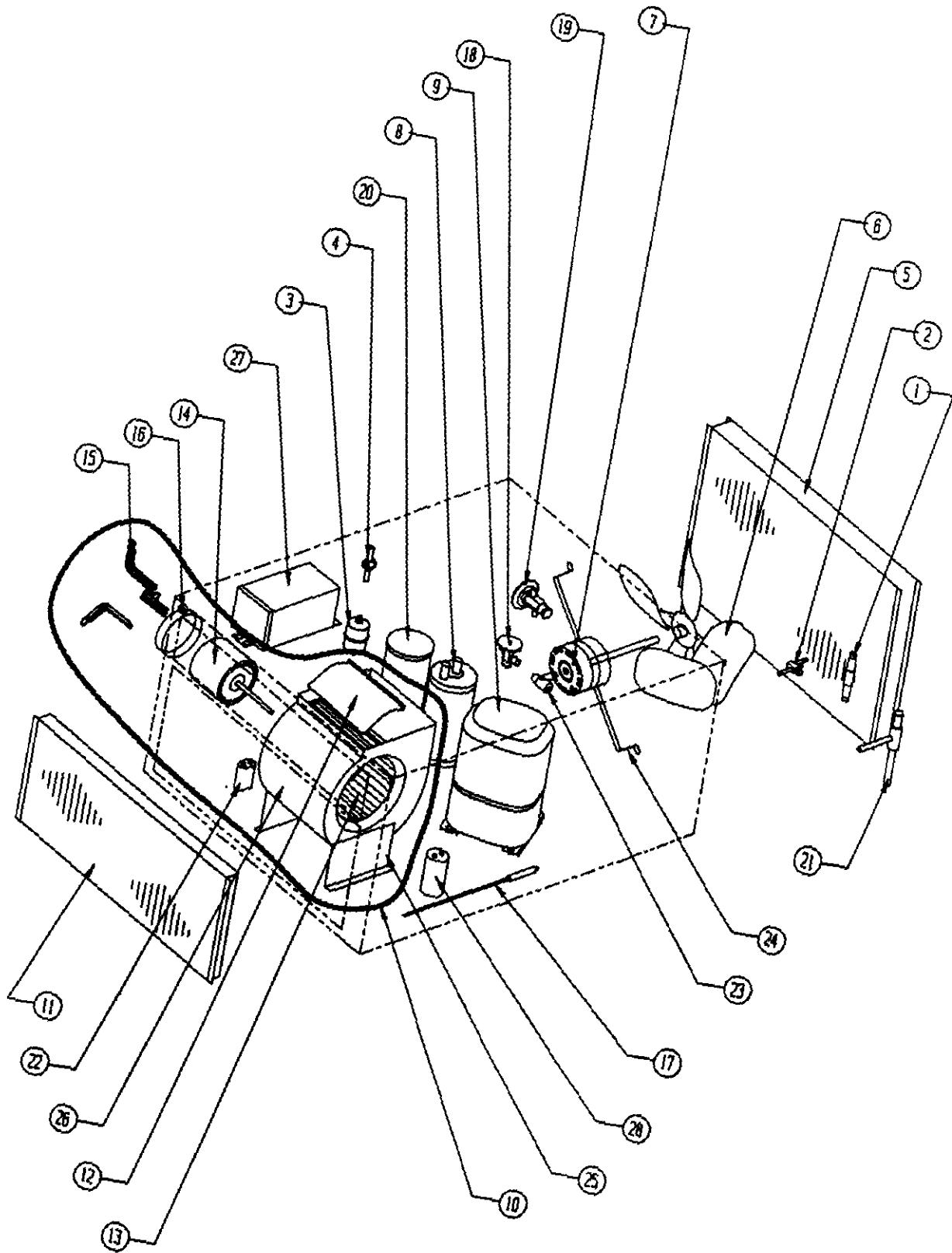


FUNCTIONAL COMPONENTS

Dwg. No.	Part No.	Description	P 4 8 A 5	P 4 8 A 5 / H	P 4 8 A 5 B	P 4 8 A 5 B / H	P 4 8 A 5 C	P 4 8 A 5 C / H	P 4 8 A 5 E	P 4 8 A 5 F	P 4 8 A 5 G	P 6 0 A 6	P 6 0 A 6 / H	P 6 0 A 6 B	P 6 0 A 6 B / H	P 6 0 A 6 C	P 6 0 A 6 C / H	P 6 0 A 6 E	P 6 0 A 6 F	P 6 0 A 6 G	
1	5651-016	Pressure Differential Valve		X		X		X					X		X		X				
2	5651-051	Shutoff Valve		X		X		X					X		X		X				
3	5201-002	Filter Drier		X		X		X					X		X		X				
4	5201-014	Sight Glass		X		X		X					X		X		X				
5	5051-027	Condenser Coil	X	X	X	X	X	X	X	X											
5	5051-028	Condenser Coil										X	X	X	X	X	X	X	X	X	X
6	5151-029	Fan Blade	X	X	X	X	X	X	X	X											
6	5151-030	Fan Blade										X	X	X	X	X	X	X	X	X	X
7	8105-035	Motor	X	X	X	X	X														
7	8106-016	Motor										X	X	X	X	X	X				
7	8105-014	Motor							X	X	X								X	X	X
8	5202-011	Accumulator		X		X		X													
8	5202-017	Accumulator											X		X		X				
9	8000-081	Compressor	X	X							X										
9	8000-082	Compressor			X	X			X												
9	8000-083	Compressor					X	X		X											
9	8000-091	Compressor										X	X								
9	8000-031	Compressor												X	X						
9	8000-048	Compressor														X	X				
9	8000-078	Compressor																X			
9	8000-079	Compressor																	X		
9	8000-077	Compressor																			X
10	900-139	Complete Blower Assembly	X	X	X	X	X	X				X	X	X	X	X	X	X			
10	900-138	Complete Blower Assembly							X	X	X								X	X	X
11	5060-036	Evaporator Coil	X	X	X	X	X	X	X	X											
11	5060-039	Evaporator Coil										X		X		X			X	X	X
11	5060-025	Evaporator Coil											X		X		X				
12	144-129	Blower Diffuser	X	X	X	X	X	X	X	X	X	X	X	X	X	X	X	X	X	X	X
13	5152-015	Blower Wheel	X	X	X	X	X	X	X	X	X	X	X	X	X	X	X	X	X	X	X
14	8106-015	Motor	X	X	X	X	X					X	X	X	X	X	X				
14	8108-002	Motor							X	X	X								X	X	X
15	8200-034	Motor Mount Arm	3	3	3	3	3	3	3	3	3	3	3	3	3	3	3	3	3	3	3
16	8200-033	Motor Mount Band	X	X	X	X	X	X	X	X	X	X	X	X	X	X	X	X	X	X	X
17	800-0062	Capillary Tube Assembly	X		X		X		X	X	X										
17	800-0063	Capillary Tube Assembly										X		X		X		X	X	X	
18	5651-040	Expansion Valve		X		X		X					X		X		X				
19	5651-064	Bypass Valve		X		X		X					X		X		X				

Date: 9-28-89
Supersedes:

FUNCTIONAL COMPONENTS (continued)



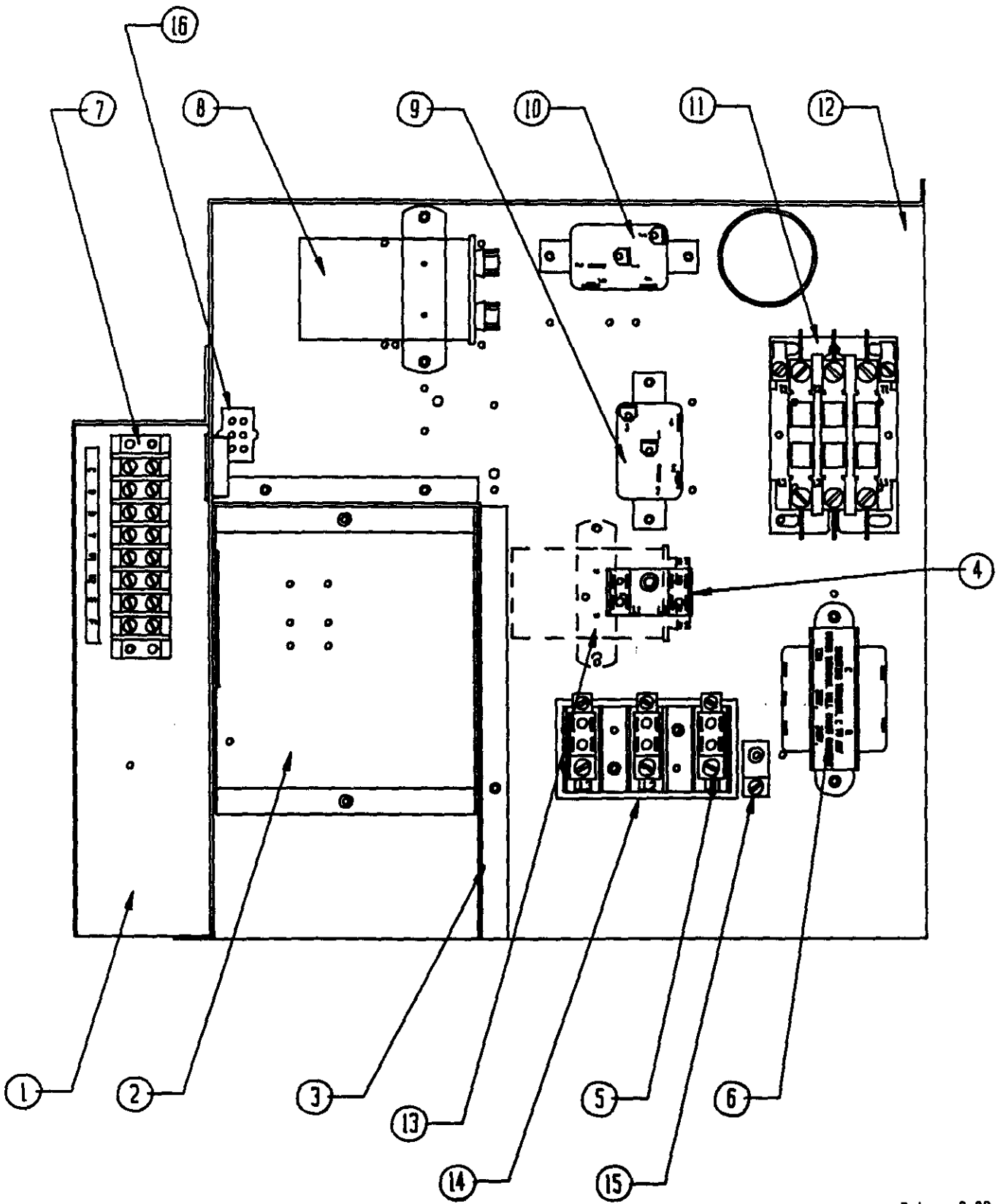
Date: 1-25-90
Supersedes: 9-28-89

FUNCTIONAL COMPONENTS (continued)

Dwg. No.	Part No.	Description	P 4 8 A 5	P 4 8 A 5 / H	P 4 8 A 5 B	P 4 8 A 5 B / H	P 4 8 A 5 C	P 4 8 A 5 C / H	P 4 8 A 5 E	P 4 8 A 5 F	P 4 8 A 5 G	P 6 0 A 6	P 6 0 A 6 / H	P 6 0 A 6 B	P 6 0 A 6 B / H	P 6 0 A 6 C	P 6 0 A 6 C / H	P 6 0 A 6 E	P 6 0 A 6 F	P 6 0 A 6 G	
20	5203-005	Receiver		X		X		X													
20	5203-006	Receiver										X		X			X				
21	5651-015	Head Pressure Control Valve		X		X		X					X		X		X				
22	8552-005	Capacitor 10/370	X	X	X	X	X	X	X	X	X	X	X	X	X	X	X	X	X	X	X
23	5651-049	Distributor		X		X		X													
23	5651-008	Distributor										X		X			X				
24	8200-004	Fan Motor Mount	X	X	X	X	X	X	X	X	X	X	X	X	X	X	X	X	X	X	X
25	104-795	Blower Leg	2	2	2	2	2	2	2	2	2	2	2	2	2	2	2	2	2	2	2
26	151-082	Blower Housing	X	X	X	X	X	X	X	X	X	X	X	X	X	X	X	X	X	X	X
27	8407-004	Transformer 460V					X	X									X	X			
28	8552-034	Capacitor 15/440																			X
28	8552-030	Capacitor 40/440																			X

Date: 1-25-90
Supersedes: 9-28-89

CONTROL PANEL



Date: 9-28-89
Supersedes:

CONTROL PANEL

Dwg. No.	Part No.	Description	P	P	P	P	P	P	P	P	P	P	P	P	P	P	P	P	P	P	P
			4	4	4	4	4	4	4	4	4	4	4	4	4	4	4	4	4	4	4
			8	8	8	8	8	8	8	8	8	8	8	8	8	8	8	8	8	8	8
			A	A	A	A	A	A	A	A	A	A	A	A	A	A	A	A	A	A	A
			5	5	5	5	5	5	5	5	5	5	5	5	5	5	5	5	5	5	5
			/	/	/	/	/	/	/	/	/	/	/	/	/	/	/	/	/	/	/
			H	H	H	H	H	H	H	H	H	H	H	H	H	H	H	H	H	H	H
			B	B	B	B	B	B	B	B	B	B	B	B	B	B	B	B	B	B	B
			/	/	/	/	/	/	/	/	/	/	/	/	/	/	/	/	/	/	/
			H	H	H	H	H	H	H	H	H	H	H	H	H	H	H	H	H	H	H
			C	C	C	C	C	C	C	C	C	C	C	C	C	C	C	C	C	C	C
			/	/	/	/	/	/	/	/	/	/	/	/	/	/	/	/	/	/	/
			H	H	H	H	H	H	H	H	H	H	H	H	H	H	H	H	H	H	H
			E	E	E	E	E	E	E	E	E	E	E	E	E	E	E	E	E	E	E
			/	/	/	/	/	/	/	/	/	/	/	/	/	/	/	/	/	/	/
			F	F	F	F	F	F	F	F	F	F	F	F	F	F	F	F	F	F	F
			/	/	/	/	/	/	/	/	/	/	/	/	/	/	/	/	/	/	/
			G	G	G	G	G	G	G	G	G	G	G	G	G	G	G	G	G	G	G
			/	/	/	/	/	/	/	/	/	/	/	/	/	/	/	/	/	/	/
			H	H	H	H	H	H	H	H	H	H	H	H	H	H	H	H	H	H	H
1	116Y072	Low Voltage Box	X	X	X	X	X	X	X	X	X	X	X	X	X	X	X	X	X	X	
2	134-095	Terminal Block Shield	X	X	X	X	X	X	X	X	X	X	X	X	X	X	X	X	X	X	X
3	116Y076	Control Panel Partition	X	X	X	X	X	X	X	X	X	X	X	X	X	X	X	X	X	X	X
4	8607-017	Terminal Block					X	X								X	X				
5	8607-013	Terminal Block	X	X						2	X	X	X							2	X
5	8607-014	Terminal Block			X	X	X	X	X					X	X	X	X	X	X		
6	8407-034	Transformer	X	X	X				X	X	X	X	X	X					X	X	X
6	8407-035	Transformer				X	X	X							X	X	X				
7	8607-006	Terminal Strip	X	X	X	X	X	X	X	X	X	X	X	X	X	X	X	X	X	X	X
8	8552-030	Capacitor 40/440	X	X							X										
8	8552-031	Capacitor 45/440										X	X								
8	8552-005	Capacitor 10/370								X										X	
8	8552-026	Capacitor 15/370					X	X													
8	8552-004	Capacitor 7-1/2 /370													X	X					
9	8201-008	Blower Relay	X	X	X	X	X	X	X	X	X	X	X	X	X	X	X	X	X	X	X
10	8201-008	Blower Relay					X	X								X	X				
11	8401-003	Contact	X	X							X										
11	8401-002	Contact			X	X	X	X	X	X						X	X			X	
11	8401-016	Contact									X	X									
11	8401-011	Contact											X	X					X		
11	8401-001	Contact																			X
12	516-079	Control Panel	X	X	X	X	X	X	X	X	X	X	X	X	X	X	X	X	X	X	X
13	8552-026	Capacitor 15/370																			
13	8552-005	Capacitor 10/370	X	X	X	X			X		X								X		X
13	8552-004	Capacitor 7-1/2 /370										X	X	X	X						
14	8607-015	Phenolic Insulator					X	X								X	X				
14	134-051	Terminal Block Barrier								X										X	
15	8611-006	Ground Terminal	X	X	X	X	X	X	X	X	X	X	X	X	X	X	X	X	X	X	X
16	3000-901	Wire Assembly	X	X	X	X	X	X	X	X	X	X	X	X	X	X	X	X	X	X	X
	4064-110	Wiring Diagram	X	X								X	X								
	4064-210	Wiring Diagram			X	X								X	X						
	4064-310	Wiring Diagram					X	X								X	X				
	4064-510	Wiring Diagram							X										X		
	4064-610	Wiring Diagram								X										X	
	4064-411	Wiring Diagram									X										
	4064-410	Wiring Diagram										X									X

Date: 9-28-89
Supersedes:

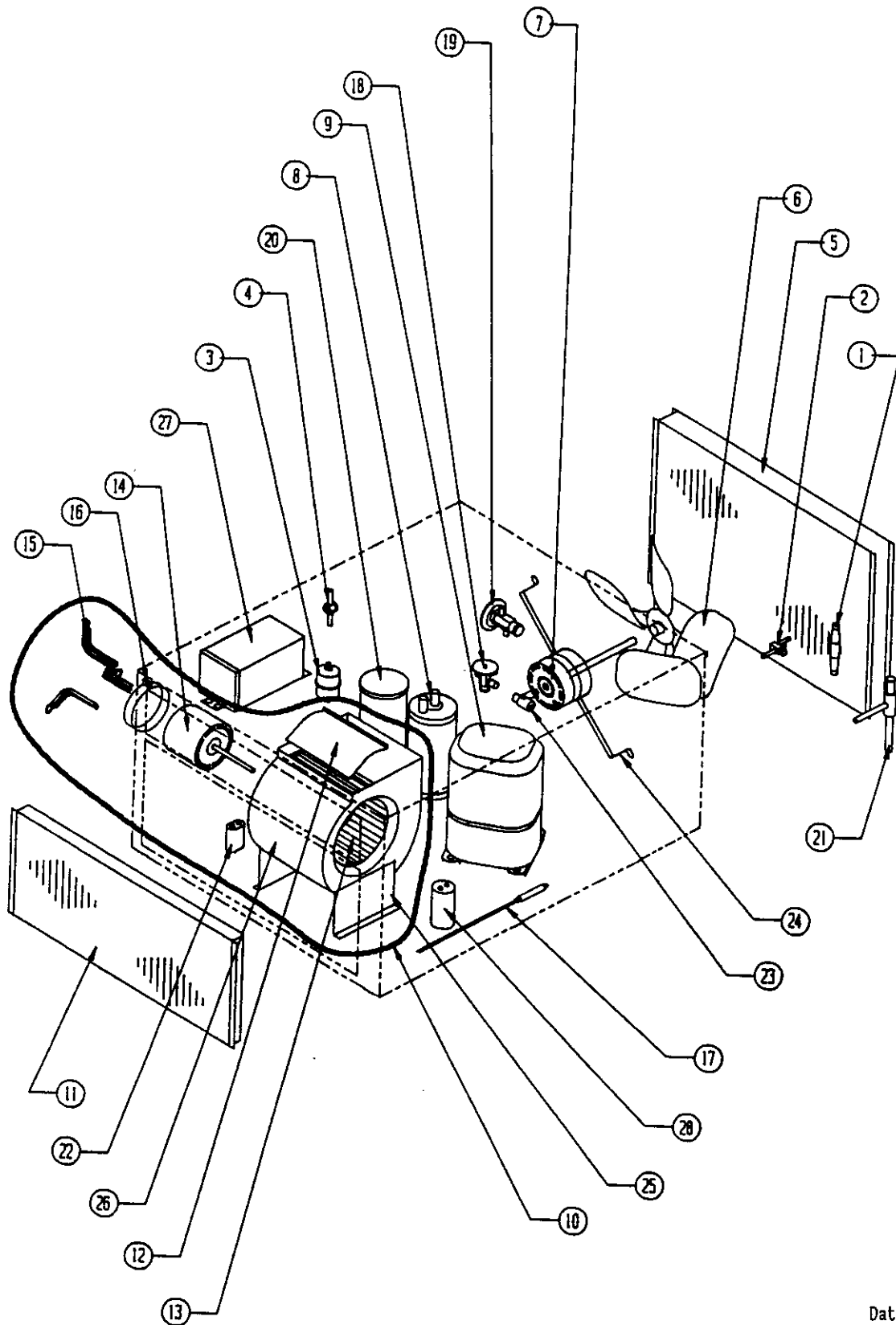


FUNCTIONAL COMPONENTS

Dwg. No.	Part No.	Description	P 4 8 A 5	P 4 8 A 5 / H	P 4 8 A 5 B /	P 4 8 A 5 B /	P 4 8 A 5 C /	P 4 8 A 5 C /	P 4 8 A 5 E	P 4 8 A 5 E	P 4 8 A 5 G	P 6 0 A 6	P 6 0 A 6 /	P 6 0 A 6 B	P 6 0 A 6 B /	P 6 0 A 6 C	P 6 0 A 6 C /	P 6 0 A 6 E	P 6 0 A 6 F	P 6 0 A 6 G	
1	5651-016	Pressure Differential Valve		x		x		x						x		x		x			
2	5651-051	Shutoff Valve			x		x		x					x		x		x			
3	5201-002	Filter Drier			x		x							x		x		x			
4	5201-014	Sight Glass			x		x							x		x		x			
5	5051-027	Condenser Coil	x	x	x	x	x	x	x	x	x										
5	5051-028	Condenser Coil										x	x	x	x	x	x	x	x	x	x
6	5151-026	Fan Blade								x	x	x							x	x	x
6	5151-029	Fan Blade	x	x	x	x	x	x													
6	5151-030	Fan Blade											x	x	x	x	x				
7	8105-035	Motor	x	x	x	x	x	x													
7	8106-016	Motor										x	x	x	x	x	x				
7	8105-014	Motor							x	x	x								x	x	x
8	5202-011	Accumulator			x		x														
8	5202-017	Accumulator											x		x			x			
9	8000-081	Compressor	x	x							x										
9	8000-082	Compressor			x	x			x												
9	8000-083	Compressor					x	x		x											
9	8000-091	Compressor										x	x								
9	8000-031	Compressor												x	x						
9	8000-048	Compressor														x	x				
9	8000-078	Compressor																x			
9	8000-079	Compressor																	x		
9	8000-077	Compressor																			x
10	900-139	Complete Blower Assembly	x	x	x	x	x	x				x	x	x	x	x	x				
10	900-138	Complete Blower Assembly							x	x	x								x	x	x
11	5060-036	Evaporator Coil	x	x	x	x	x	x	x	x											
11	5060-039	Evaporator Coil										x		x		x			x	x	x
11	5060-025	Evaporator Coil											x		x						
12	144-129	Blower Diffuser	x	x	x	x	x	x	x	x	x	x	x	x	x	x	x	x	x	x	x
13	5152-015	Blower Wheel	x	x	x	x	x	x	x	x	x	x	x	x	x	x	x	x	x	x	x
14	8106-015	Motor	x	x	x	x	x	x				x	x	x	x						
14	8108-002	Motor							x	x	x										
15	8200-034	Motor Mount Arm	3	3	3	3	3	3	3	3	3	3	3	3	3	3	3	3	3	3	3
16	8200-033	Motor Mount Band	x	x	x	x	x	x	x	x	x	x	x	x	x	x	x	x	x	x	x
17	800-0062	Capillary Tube Assembly	x		x		x		x	x	x										
17	800-0063	Capillary Tube Assembly										x		x					x	x	x
18	5651-040	Expansion Valve			x		x							x		x					
19	5651-064	Bypass Valve			x		x							x		x					

Date: 8-10-90
Supersedes: 9-28-89

FUNCTIONAL COMPONENTS (continued)



Date: 1-25-90
Supersedes: 9-28-89

CONTROL PANEL

Dwg. No.	Part No.	Description	P 4 8 A 5	P 4 8 A 5 / H	P 4 8 A 5 B	P 4 8 A 5 B / H	P 4 8 A 5 C	P 4 8 A 5 C / H	P 4 8 A 5 E	P 4 8 A 5 F	P 4 8 A 5 G	P 6 0 A 6	P 6 0 A 6 / H	P 6 0 A 6 B	P 6 0 A 6 B / H	P 6 0 A 6 C	P 6 0 A 6 C / H	P 6 0 A 6 E	P 6 0 A 6 F	P 6 0 A 6 G	
1	116Y072	Low Voltage Box	X	X	X	X	X	X	X	X	X	X	X	X	X	X	X	X	X	X	X
2	134-095	Terminal Block Shield	X	X	X	X	X	X	X	X	X	X	X	X	X	X	X	X	X	X	X
3	116Y076	Control Panel Partition	X	X	X	X	X	X	X	X	X	X	X	X	X	X	X	X	X	X	X
4	8607-017	Terminal Block				X	X								X	X					
5	8607-013	Terminal Block	X	X						2	X	X	X							2	X
5	8607-014	Terminal Block			X	X	X	X	X					X	X	X	X	X	X		
6	8407-034	Transformer	X	X	X				X	X	X	X	X	X					X	X	X
6	8407-035	Transformer				X	X	X						X	X	X					
7	8607-006	Terminal Strip	X	X	X	X	X	X	X	X	X	X	X	X	X	X	X	X	X	X	X
8	8552-030	Capacitor 40/440	X	X							X										
8	8552-031	Capacitor 45/440										X	X								
8	8552-005	Capacitor 10/370								X										X	
8	8552-026	Capacitor 15/370					X	X													
8	8552-004	Capacitor 7-1/2 /370													X	X					
9	8201-008	Blower Relay	X	X	X	X	X	X	X	X	X	X	X	X	X	X	X	X	X	X	X
10	8201-008	Blower Relay					X	X								X	X				
11	8401-003	Contactor	X	X							X										
11	8401-002	Contactor			X	X	X	X	X	X						X	X			X	
11	8401-016	Contactor										X	X								
11	8401-011	Contactor												X	X				X		
11	8401-001	Contactor																			X
12	516-079	Control Panel	X	X	X	X	X	X	X	X	X	X	X	X	X	X	X	X	X	X	X
13	8552-026	Capacitor 15/370																			
13	8552-005	Capacitor 10/370	X	X	X	X			X		X								X		X
13	8552-004	Capacitor 7-1/2 /370										X	X	X	X						
14	8607-015	Phenolic Insulator					X	X								X	X				
14	134-051	Terminal Block Barrier								X										X	
15	8611-006	Ground Terminal	X	X	X	X	X	X	X	X	X	X	X	X	X	X	X	X	X	X	X
16	3000-901	Wire Assembly	X	X	X	X	X	X	X	X	X	X	X	X	X	X	X	X	X	X	X
	4064-110	Wiring Diagram	X	X								X	X								
	4064-210	Wiring Diagram			X	X								X	X						
	4064-310	Wiring Diagram					X	X								X	X				
	4064-510	Wiring Diagram							X										X		
	4064-610	Wiring Diagram								X										X	
	4064-411	Wiring Diagram									X										
	4064-410	Wiring Diagram																			X

Date: 9-28-89
Supersedes:

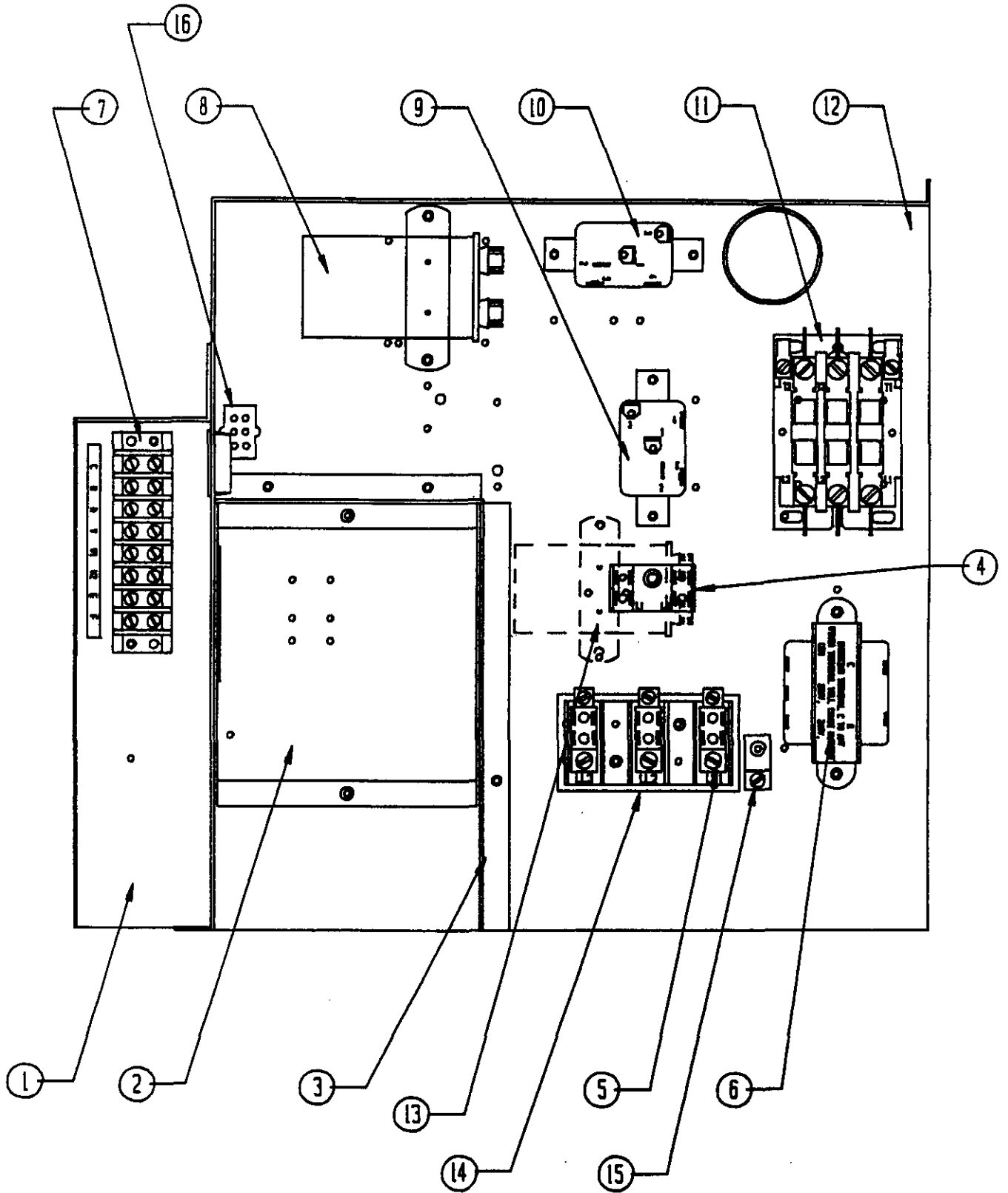


FUNCTIONAL COMPONENTS (continued)

Dwg. No.	Part No.	Description	P 4 8 A 5	P 4 8 A 5 / H	P 4 8 A 5 B	P 4 8 A 5 B / H	P 4 8 A 5 C	P 4 8 A 5 C / H	P 4 8 A 5 E	P 4 8 A 5 F	P 4 8 A 5 G	P 6 0 A 6	P 6 0 A 6 / H	P 6 0 A 6 B	P 6 0 A 6 B / H	P 6 0 A 6 C	P 6 0 A 6 C / H	P 6 0 A 6 E	P 6 0 A 6 F	P 6 0 A 6 G	
20	5203-005	Receiver		x		x		x													
20	5203-006	Receiver										x		x		x					
21	5651-015	Head Pressure Control Valve		x		x		x				x		x		x					
22	8552-005	Capacitor 10/370	x	x	x	x	x	x	x	x	x	x	x	x	x	x	x	x	x	x	x
23	5651-049	Distributor		x		x		x													
23	5651-008	Distributor										x		x		x					
24	8200-004	Fan Motor Mount	x	x	x	x	x	x	x	x	x	x	x	x	x	x	x	x	x	x	x
25	104-795	Blower Leg	2	2	2	2	2	2	2	2	2	2	2	2	2	2	2	2	2	2	2
26	151-082	Blower Housing	x	x	x	x	x	x	x	x	x	x	x	x	x	x	x	x	x	x	x
27	8407-004	Transformer 460V					x	x								x	x				
28	8552-034	Capacitor 15/440																			x
28	8552-030	Capacitor 40/440																			x

Date: 1-25-90
Supersedes: 9-28-89

CONTROL PANEL



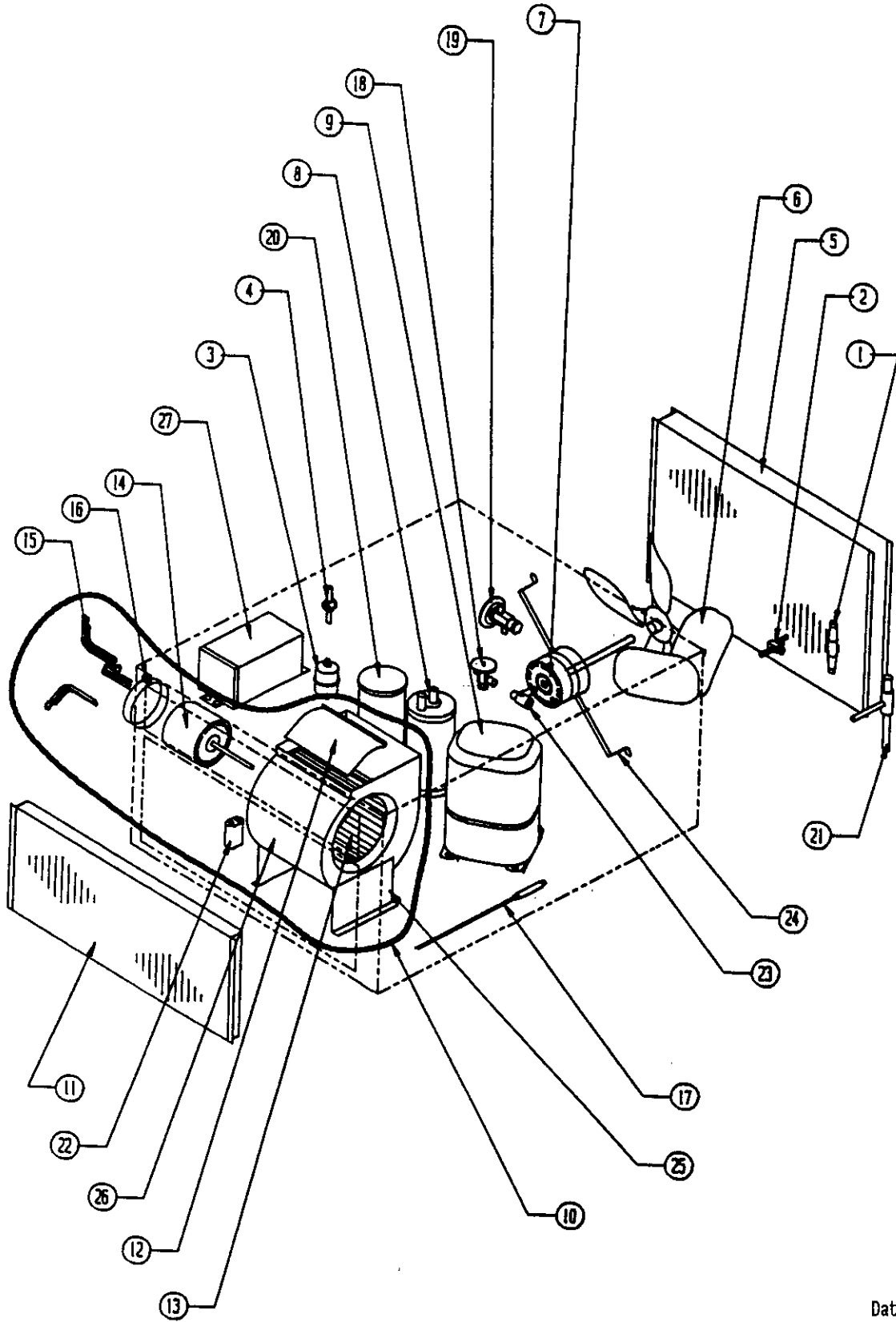
Date: 9-28-89
Supersedes:

CABINET COMPONENTS

Item	Part No.	Description	U S A G E
1	506-012	Top	X
2	134-021	Heat Strip Shield	X
3	520-067	Blower Partition	X
4	7051-007	Side Grille	2
5	500-144	Left Side	X
6	136-011	Side Fills	2
7	123-048	Drain Pan	X
8	527-012	Base	X
9	Control Panel	See control panel drawing and parts list	X
10	142-016	Entrance Cover Plate	X
11	556-015	Entrance Panel	X
12	500-020	Right Side	X
13	132-035	Control Panel Cover	X
14	142-017	OKW Cover Plate	X
15	520-069	Compressor Partition	X
16	149-053	Left Rear Corner	X
17	7051-005	Condenser Grille	X
18	149-052	Right Rear Corner	X
19	549-050	Left Front Corner	X
20	549-016	Right Front Corner	X
21	164-502	Plenum Channel	X
22	104-525	Plenum Angle	X
23	124-010	Fan Shroud	X

Date: 9-28-89
Supersedes:

FUNCTIONAL COMPONENTS



Date: 9-28-89
Supersedes: