

REPLACEMENT PARTS MANUAL

PACKAGE AIR CONDITIONERS

MODELS: P1024A1, P1030A1, P1036A1

Manual 2110-203

Revision C

Date 3-27-95

Supersedes 8-15-90

* GENERAL NOTES *

*Revised and/or additional pages may be issued from time to time.
*A complete and current manual consists of pages dated as shown in the following index.

** INDEX **

<u>Page Description</u>	<u>Page</u>	<u>Date</u>	<u>Supersedes</u>
Cabinet Components--Exploded View	1	9-14-89	
" " --Usage List	2	3-27-95	9-14-89
Functional Components--Exploded View	3	9-14-89	
" " --Usage List	4	8-15-90	9-14-89
Control Panel--Layout	5	4-01-90	9-14-89
" " --Usage List	6	3-27-95	4-01-90

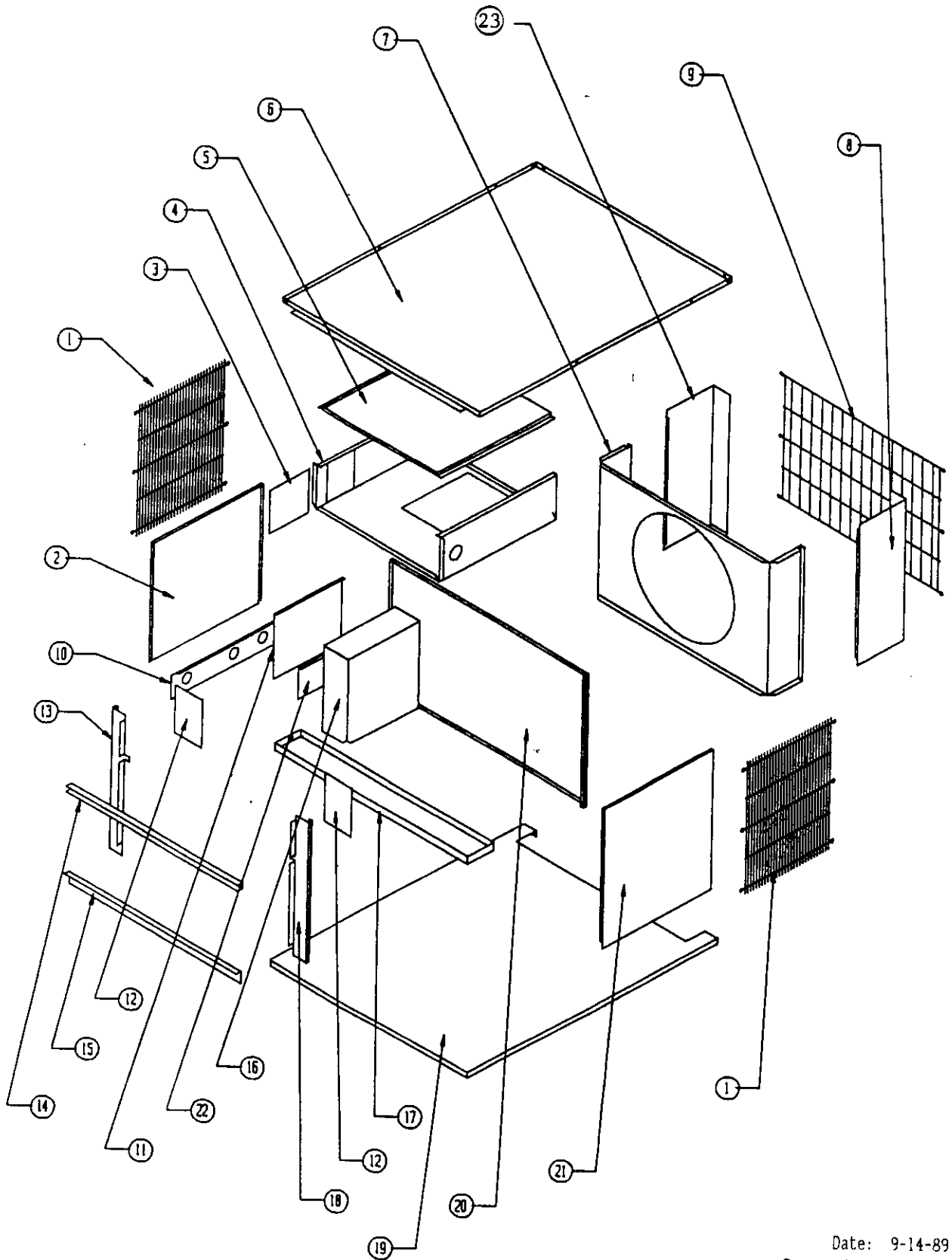
*** IMPORTANT ***

Contact the installing and/or local Bard distributor for all parts requirements. Make sure you have the complete model and serial number available from the unit rating plate.

BARD MANUFACTURING COMPANY

BRYAN, OHIO 43506

CABINET COMPONENTS



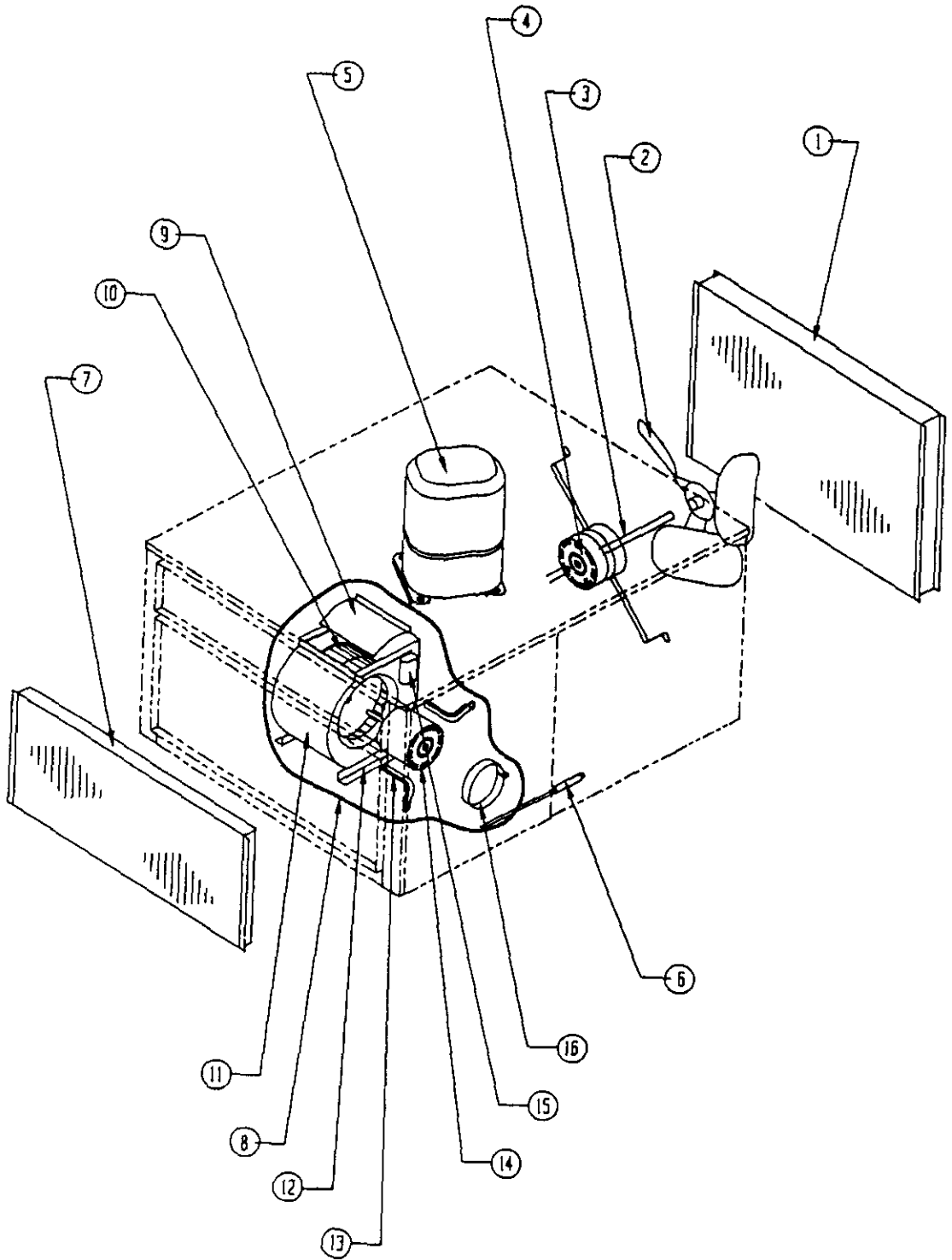
Date: 9-14-89
Supersedes:

CABINET COMPONENTS

Item	Part No.	Description	U S A G E
1	7051-015	Inlet Grille	2
2	500-133	Left Side	X
3	142-017	Cover Plate--OKW	X
4	520-284	Blower Partition (P1024A1 only)	X
4	520-286	Blower Partition (all models except P1024A1)	X
5	134-017	Heat Strip Shield	X
6	506-168	Top	X
7	124-012	Fan Shroud	X
8	148X083	Right Rear Corner	2
9	7051-001	Condenser Grille	X
10	556-028	Entrance Panel	X
11	132-035	Control Panel Cover	X
12	136-312	Blower Fill Plates	2
13	548-082	Left Front Cover	X
14	164-552	Plenum Channel	X
15	104-521	Plenum Angle	X
16	Cntrl Pnl Assenbly	See Control Panel Drawing and Parts List	X X
17	122-088	Drain Pan	X
18	548-081	Right Front Corner	X
19	527-255	Base	X
20	520-283	Compressor Partition	X
21	500-132	Right Side	X
22	142-016	Entrance Cover	X
23	148Y083	Left Rear Corner	X

Date: 3-27-95
Supersedes: 9-14-89

FUNCTIONAL COMPONENTS



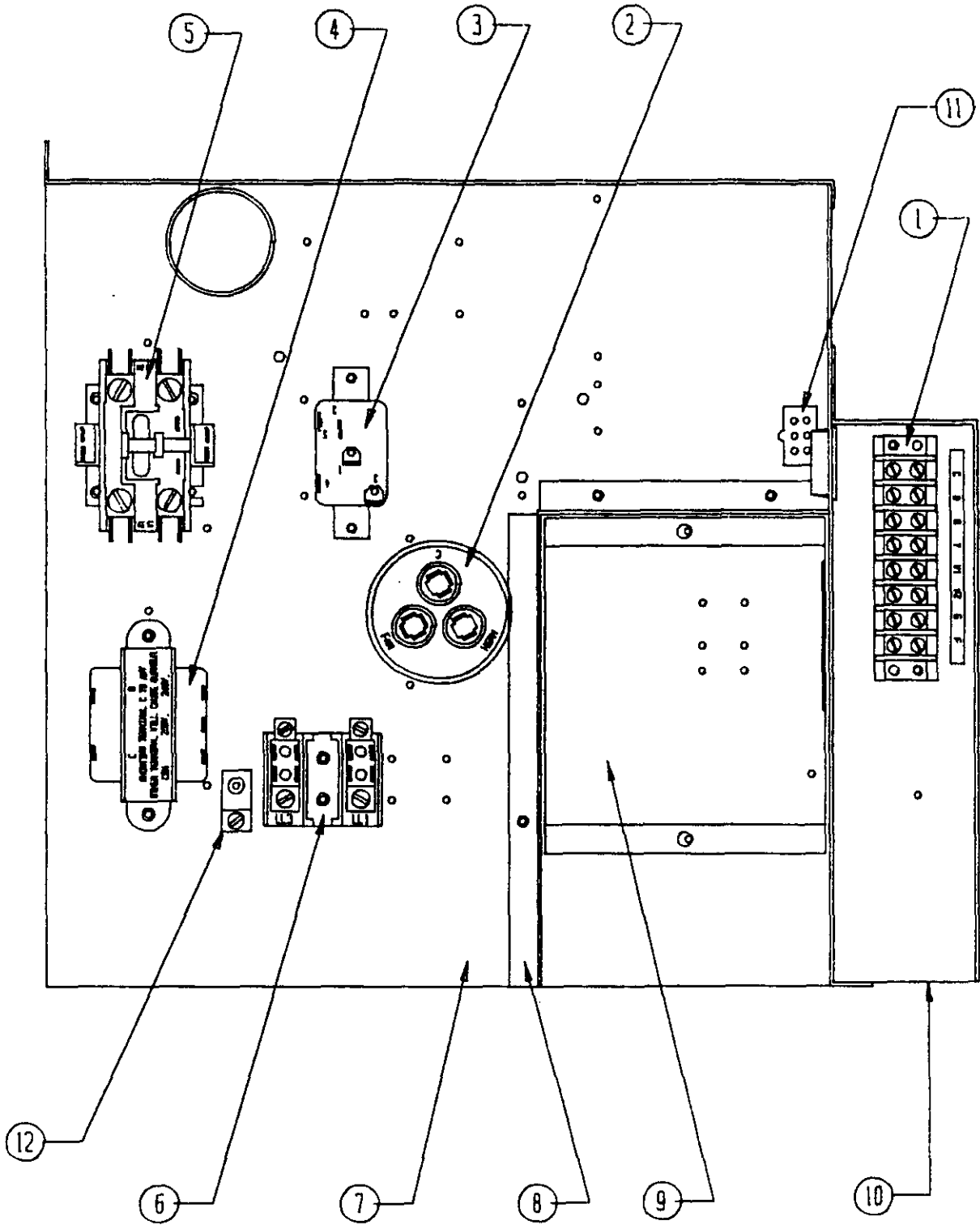
Date: 9-14-89
Supersedes:

FUNCTIONAL COMPONENTS

Dwg. No.	Part No.	Description	P	P	P
			1	1	1
			0	0	0
			2	3	3
			4	0	6
			A	A	A
			1	1	1
1	5051-035	Condenser Coil	X	X	
1	5051-050	Condenser Coil			X
2	5151-034	Fan Blade	X		
2	5151-004	Fan Blade		X	X
3	8200-001	Motor Mount	X	X	X
4	8103-016	Motor	X		
4	8103-019	Motor		X	X
5	8000-098	Compressor	X		
5	8000-099	Compressor		X	
5	8000-052	Compressor			X
6	800-0049	Capillary Tube Assembly		X	
6	800-0078	Capillary Tube Assembly	X		
6	800-0159	Capillary Tube Assembly			X
7	5060-037	Evaporator Coil	X	X	
7	5060-050	Evaporator Coil			X
8	900-146	Complete Blower Assembly	X		
8	900-133	Complete Blower Assembly			X
8	900-145	Complete Blower Assembly		X	
9	144-126	Diffuser	X	X	X
10	5152-013	Blower Wheel			X
10	5152-005	Blower Wheel		X	
10	5152-008	Blower Wheel	X		
11	151-088	Blower Housing	X		
11	151-068	Blower Housing		X	X
12	104-787	Blower Angles	X	X	X
13	8200-036	Motor Mount Arms	3		
13	8200-034	Motor Mount Arms		3	3
14	8105-032	Motor	X		
14	8105-024	Motor		X	X
15	8552-002	Capacitor 5/370	X	X	X
16	8200-033	Motor Mount Band	X	X	X

Date: 8-15-90
Supersedes: 9-14-89

CONTROL PANEL



Date: 4-01-90
Supersedes: 9-14-89

CONTROL PANEL

Dwg. No.	Part No.	Description	P 1 0 2 4 A 1	P 1 0 3 0 A 1	P 1 0 3 6 A 1
1	8607-006	Terminal Strip	X	X	X
2	8552-048	Capacitor 35/5 - 370		X	
2	8552-050	Capacitor 40/5 - 370			X
2	8552-046	Capacitor 25/5 - 370	X		
3	8201-008	Blower Relay	X	X	X
4	8407-034	Tranformer	X	X	X
5	8401-007	Contactora	X	X	X
6	8607-013	Terminal Block	X	X	X
7	516-071	Control Panel	X	X	X
8	116-149	Control Panel Partition	X	X	X
9	116-150	Terminal Block Support	X	X	X
10	116X072	Low Voltage Box	X	X	X
11	3000-901	Wire Assembly		X	X
11	3000-948	Wire Assembly	X		
12	8611-006	Ground Terminal	X	X	X
	4063-119	Wiring Diagram		X	X
	4063-118	Wiring Diagram	X		

Date: 3-27-95
Supersedes: 4-01-90

